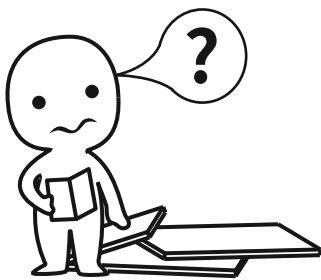


# **INSTALLATION**

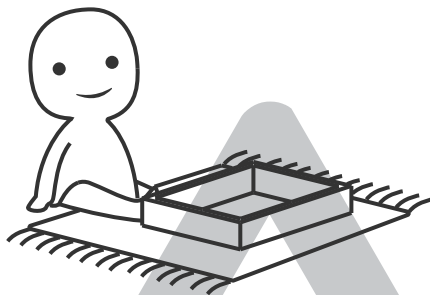
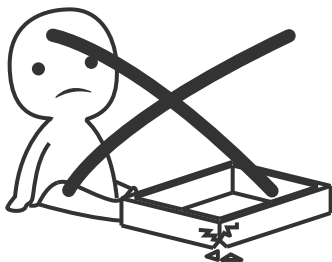
## *Product Manual*

Version: 390063-01-24A-RY



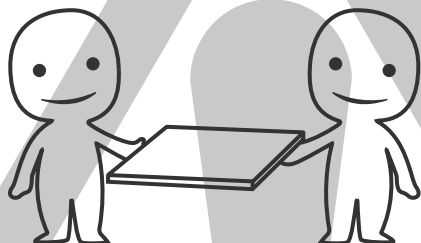
### **IMPORTANT INFORMATION!**

please read the entire manual before starting to assemble and/or using this product. follow the manual thoroughly and keep it for further reference.



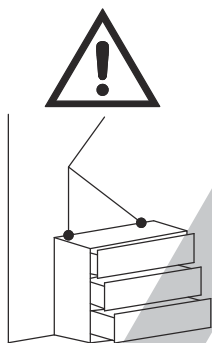
### **AVOID SCRATCHES!**

In order to avoid scratching this furniture should be assembled on a soft layer- could be a rug.



### **IMPROVE EFFICIENCY !**

Try to find a partner to install with you, which can speed up the installation efficiency and shorten the time.



### **ANTI-TOPPLE WARNING !**

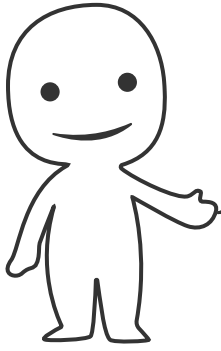
Overturnd furniture can cause serious or fatal crush injuries. To prevent tipping over, be sure to use the wall attachment, if not included with this product. Please purchase the wall attachment that fit your wall. If unsure, seek professional advice. Please read and follow each step of the instructions carefully.

### **IMPORTANT !**

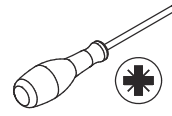
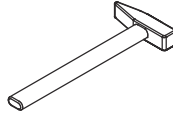
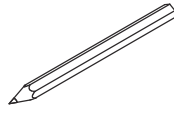
It is important that any product which is assembled using any kind of screw is re-tightened 2 weeks after assembly, and once every 3 months - in order to assure stability through-out the lifespan of the product.

For regular maintenance and cleaning of the product, for the frame, please use a rag dipped in neutral detergent to fully wipe it, and then dry it with a clean rag. For glass materials, wipe with a rag dampened with water glass cleaner, and then dry with a dry rag.

Do not use an electric screwdriver, and do not use too much force when installing, because the board is easy to break.

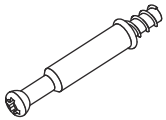


Please prepare the following tools



When installing, please carefully confirm whether each screw corresponds to the manual, accessories with similar shapes can be distinguished by size

A x 126



Ø6 x 35 mm

B x 126



Ø15 x 10 mm

C x 18



Ø4 x 22 mm

D x 4



Ø6 x 30 mm

E x 16



Ø12 x 10 mm

F x 43



Ø4 x 30 mm

G x 76



Ø3 x 15 mm

H x 48



Ø3 x 12 mm

I x 2



J x 2

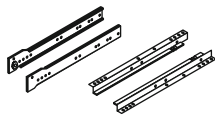


K x 4



Ø25 x 10 x 1 mm

L x 3



Ø30 mm

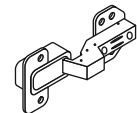
M x 6



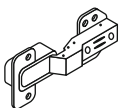
N x 3



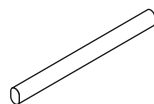
O x 6



P x 6



Q x 1

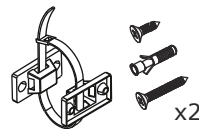


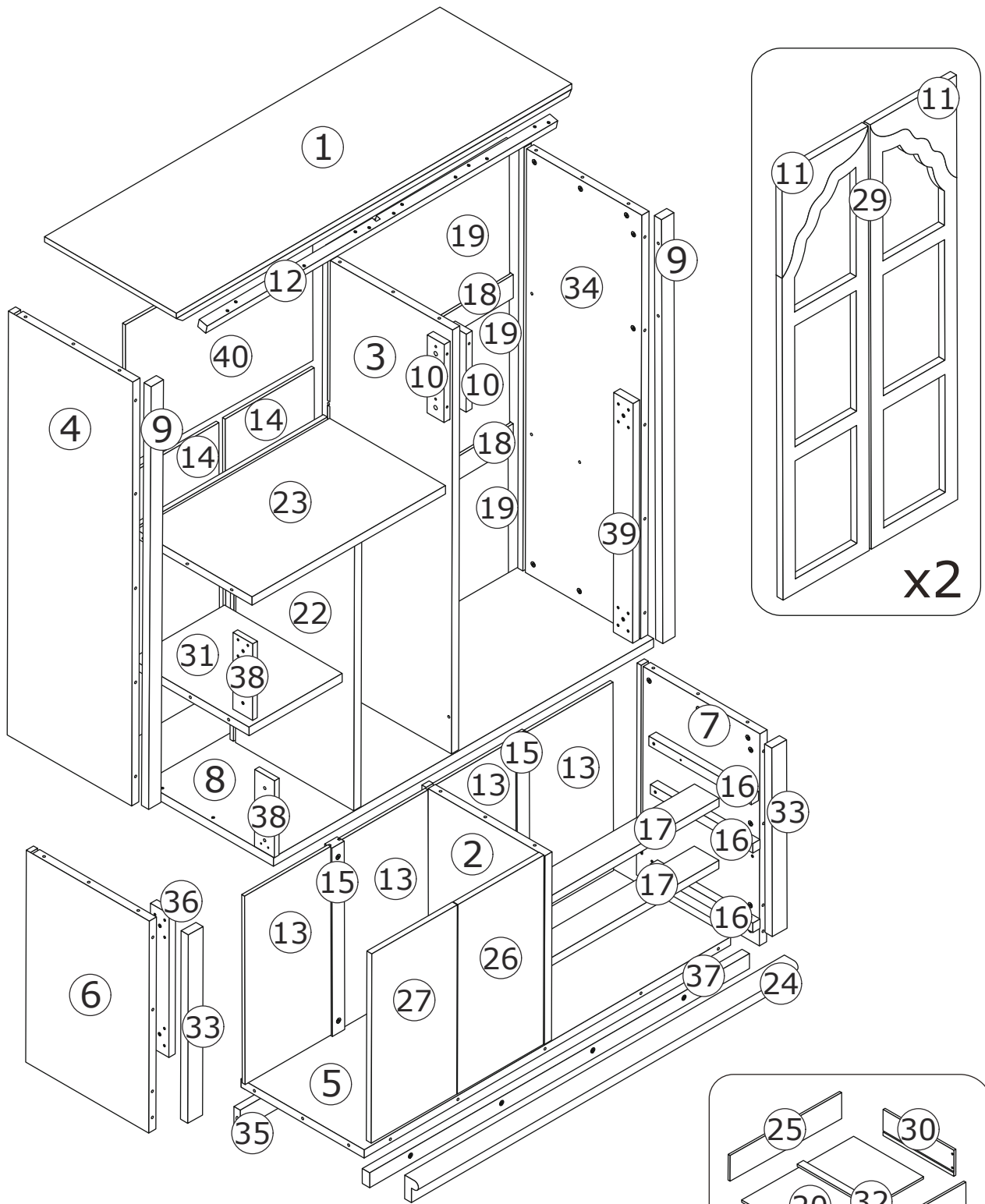
Ø701.5 x 30 mm

R x 2



S x 2





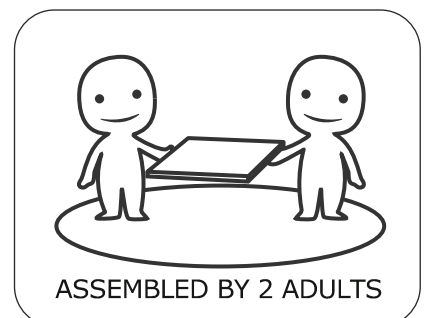
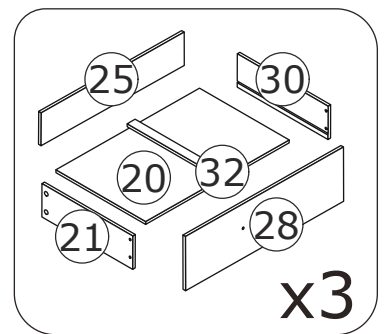
## ⚠ WARNING



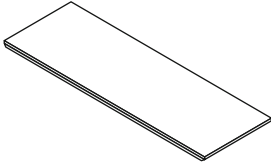
Children have died from furniture tipover. To reduce the risk of furniture tipover:

- ALWAYS install Anti-tip device provided.
- NEVER put a TV on this product.
- NEVER allow children to stand, climb or hang on drawers, doors, or shelves.
- NEVER open more than one drawer at a time.
- Place heaviest items in the lowest drawers.

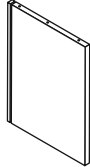
*This is a permanent label.  
Do not remove!*



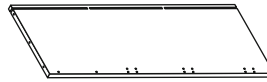
① x1



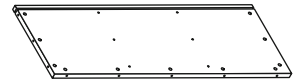
② x1



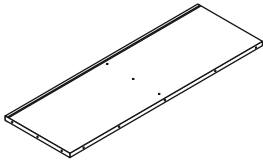
③ x1



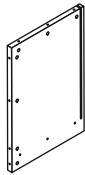
④ x1



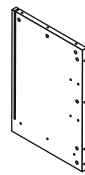
⑤ x1



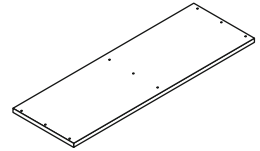
⑥ x1



⑦ x1



⑧ x1



⑨ x2



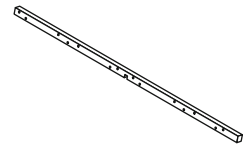
⑩ x2



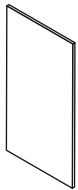
⑪ x2



⑫ x1



⑬ x4



⑭ x2



⑮ x2



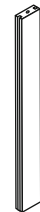
⑯ x3



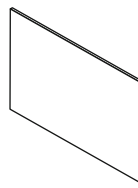
⑰ x2



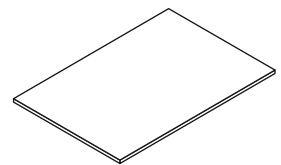
⑱ x2



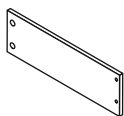
⑲ x3



⑳ x3



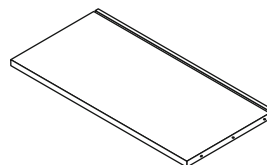
㉑ x3



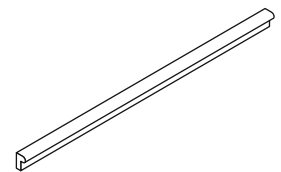
㉒ x1



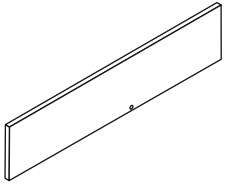
㉓ x1



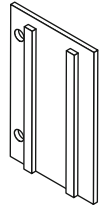
㉔ x1



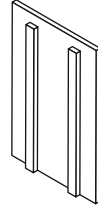
25 x3



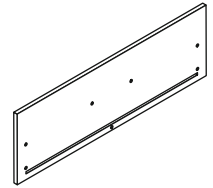
26 x1



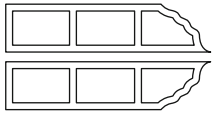
27 x1



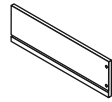
28 x3



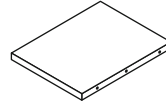
29 x2



30 x3



31 x1



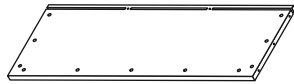
32 x3



33 x2



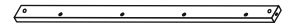
34 x1



35 x1



36 x1



37 x1



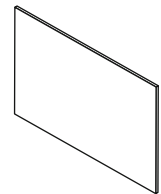
38 x2



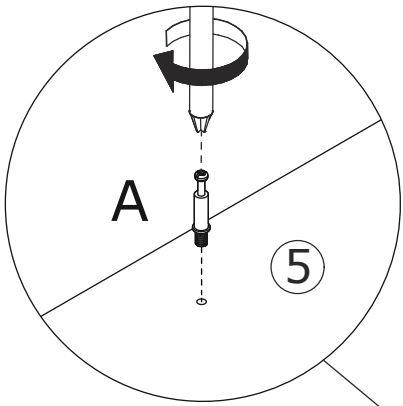
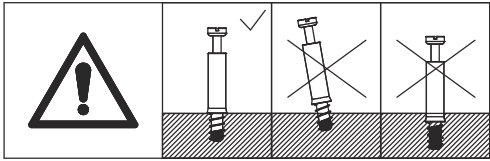
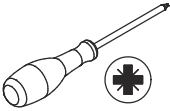
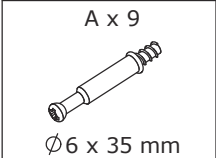
39 x1



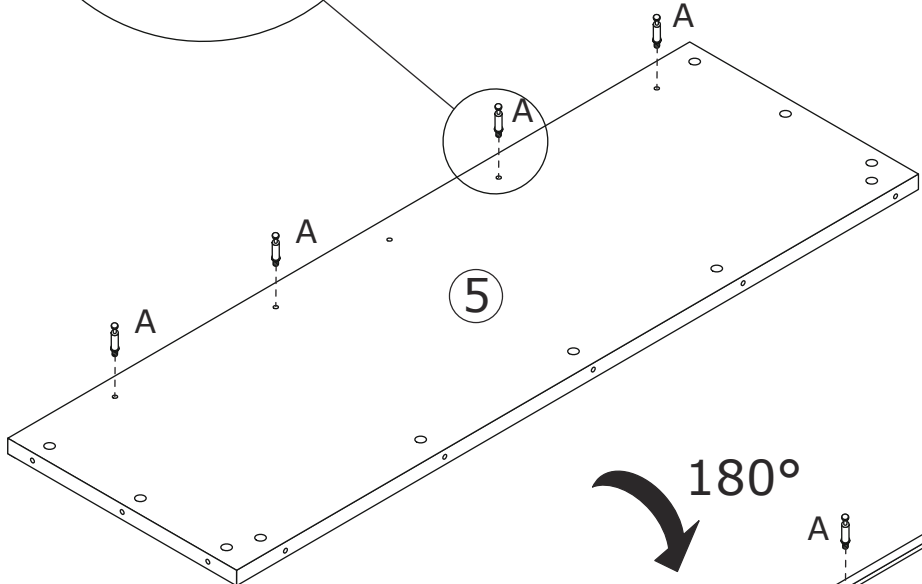
40 x1



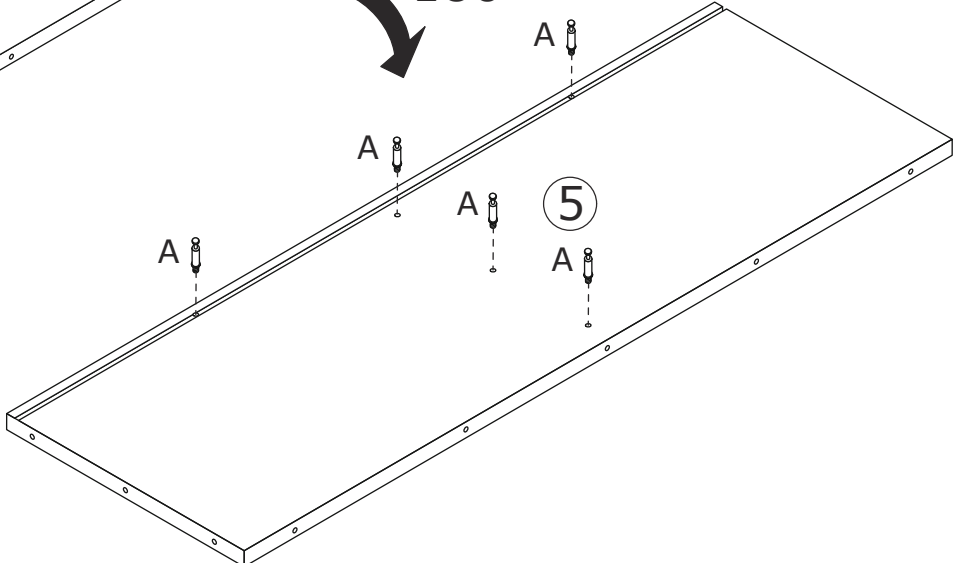
1



Screw eccentric rod(A)  
into board 5 at first.

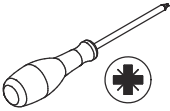


180°

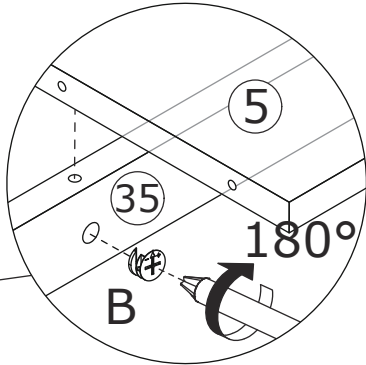
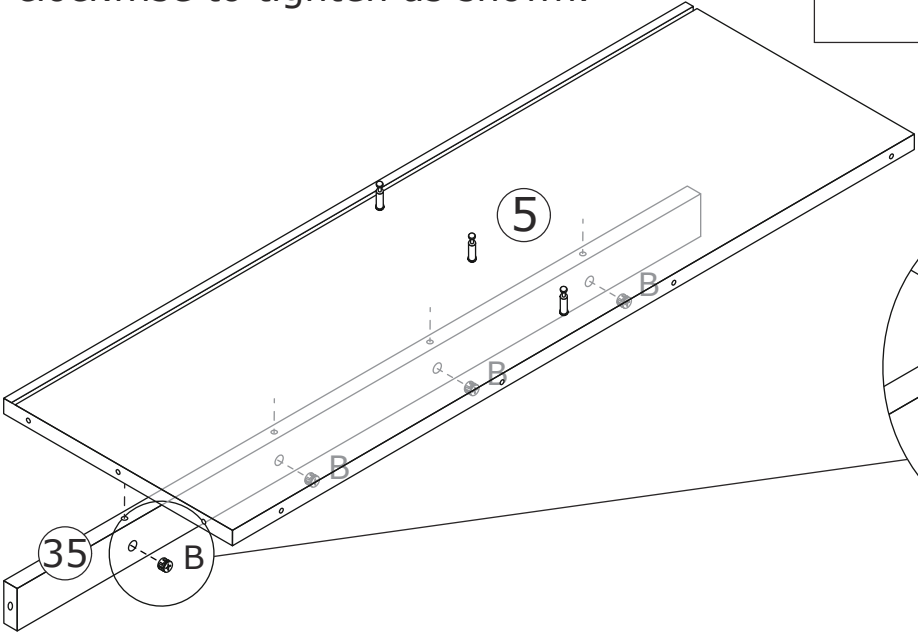
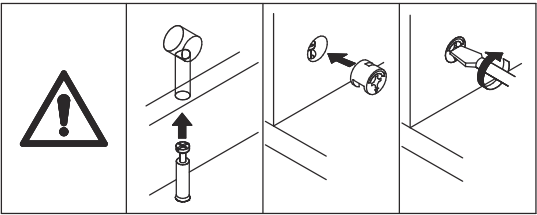


2

B x 4  
Ø15 x 10 mm

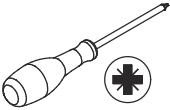


Attach board 35 to board 5, add cam lock(B) into board 35 and turn clockwise to tighten as shown.

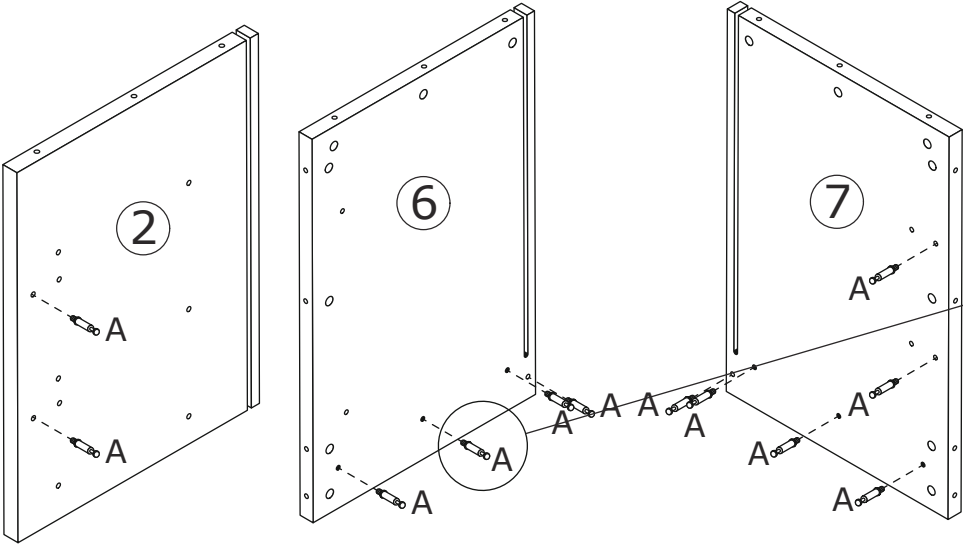
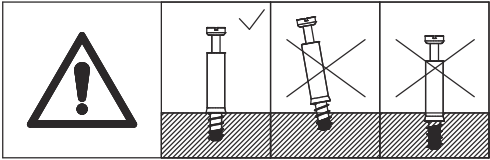


3

A x 12  
Ø6 x 35 mm

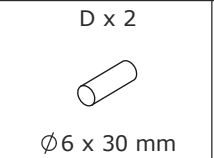
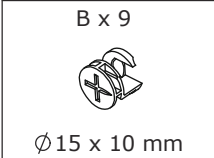


Screw eccentric rod(A) into board 2, 6 and 7 at first.

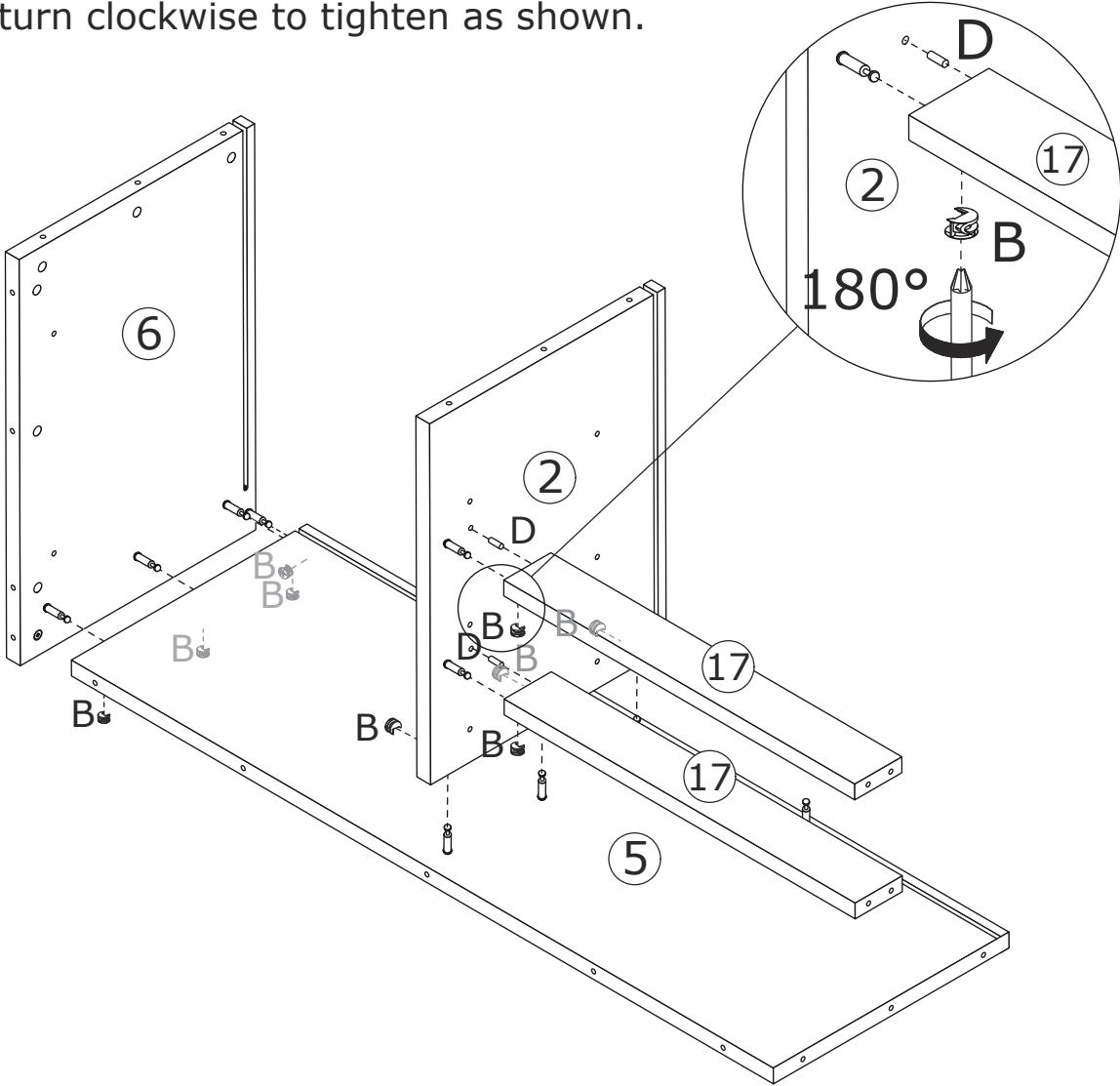
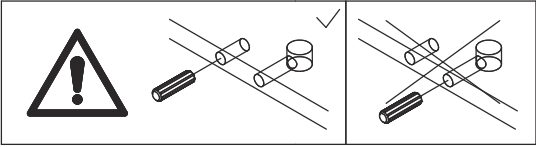
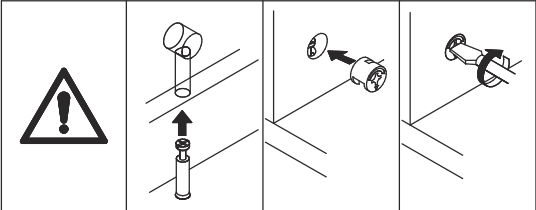




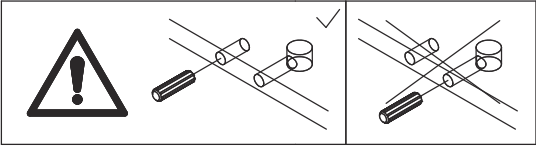
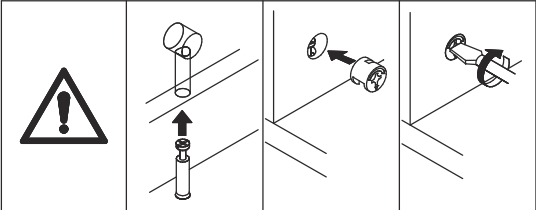
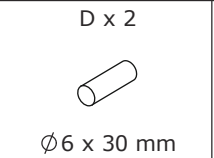
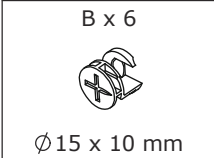
4



Attach board 6 to board 5 and 35, add cam lock(B) into board 5, 35 and turn clockwise to tighten as shown.  
Attach board 2 to board 5, add cam lock(B) into board 2 and turn clockwise to tighten as shown.  
Attach board 17 to board 2 using wooden dowel(D), add cam lock(B) into board 17 and turn clockwise to tighten as shown.

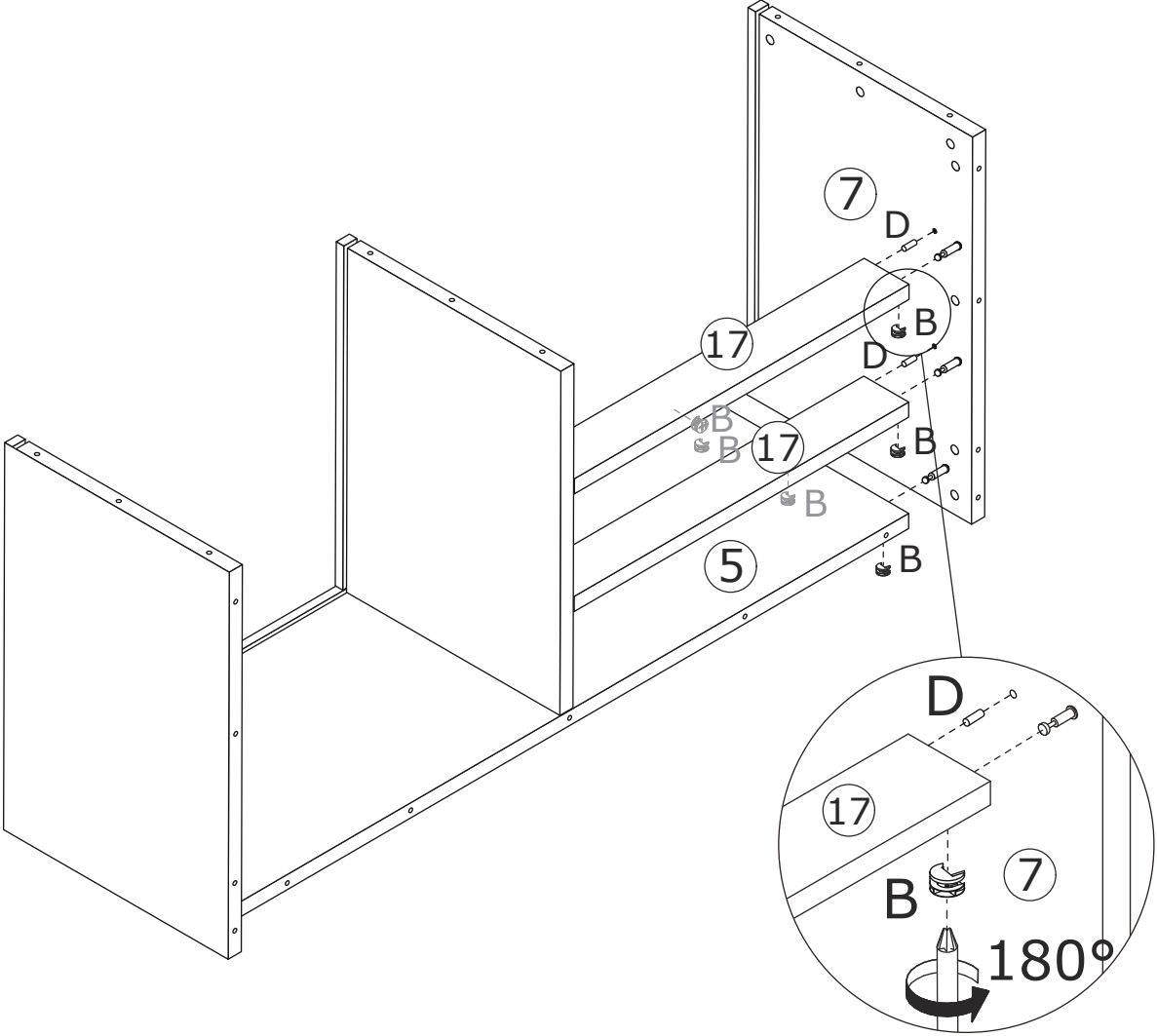


5



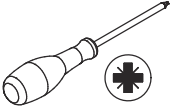
Attach board 7 to board 5 and 35, add cam lock(B) into board 5, 35 and turn clockwise to tighten as shown.

Attach board 17 to board 7 using wooden dowel(D), add cam lock(B) into board 17 and turn clockwise to tighten as shown.

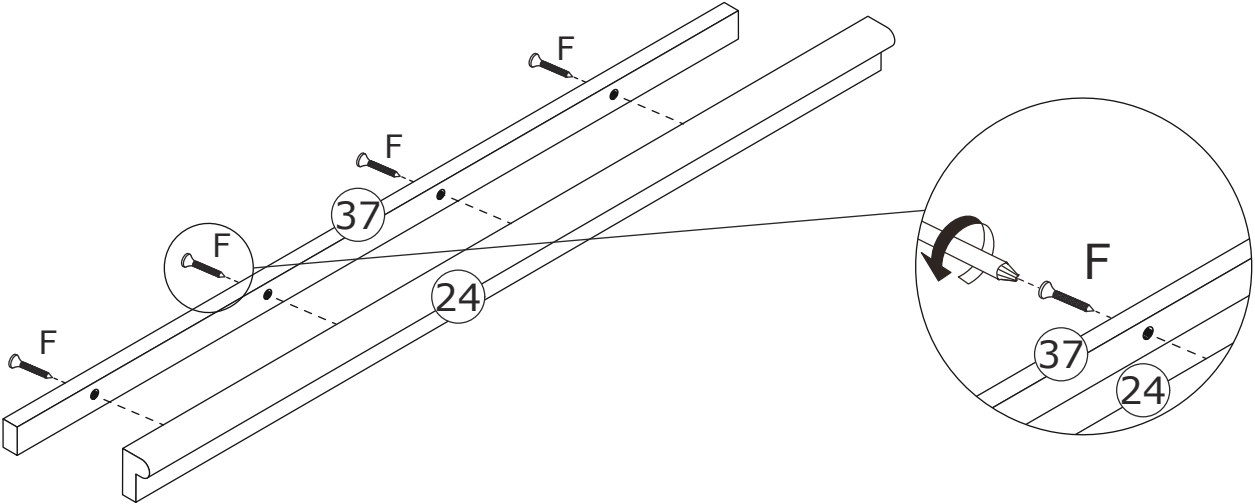


6

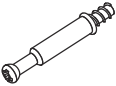
F x 4  
  
Ø4 x 30 mm

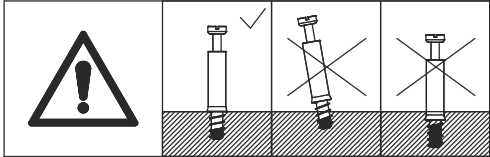
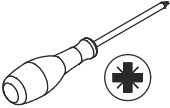


Fix board 37 to board 24  
with screw(F) as shown.

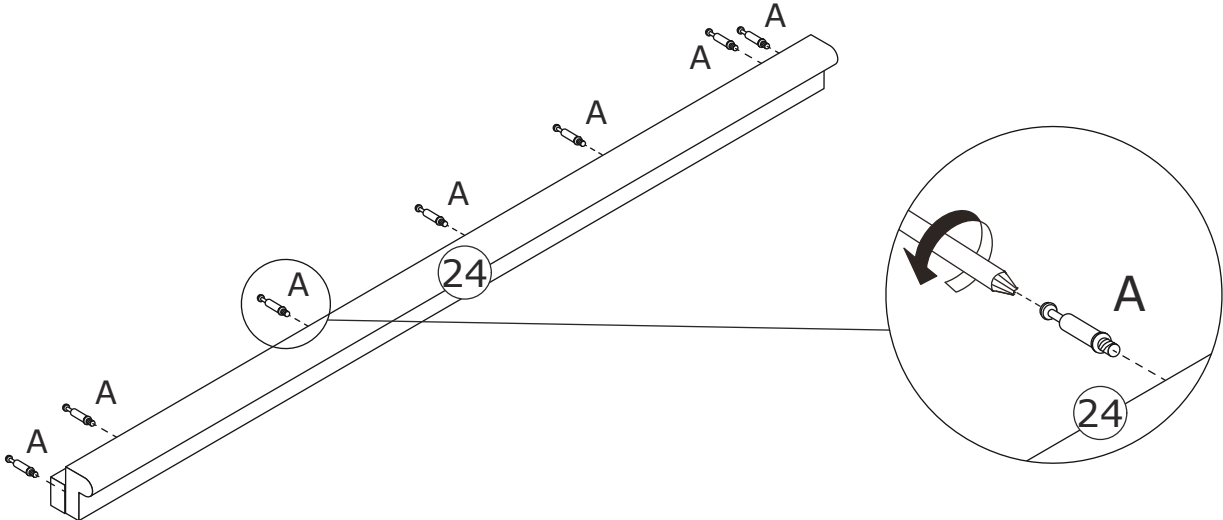


7

A x 7  
  
Ø6 x 35 mm

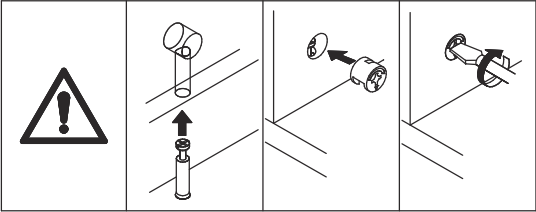
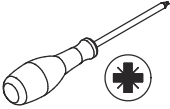


Screw eccentric rod(A)  
into board 24 as shown.

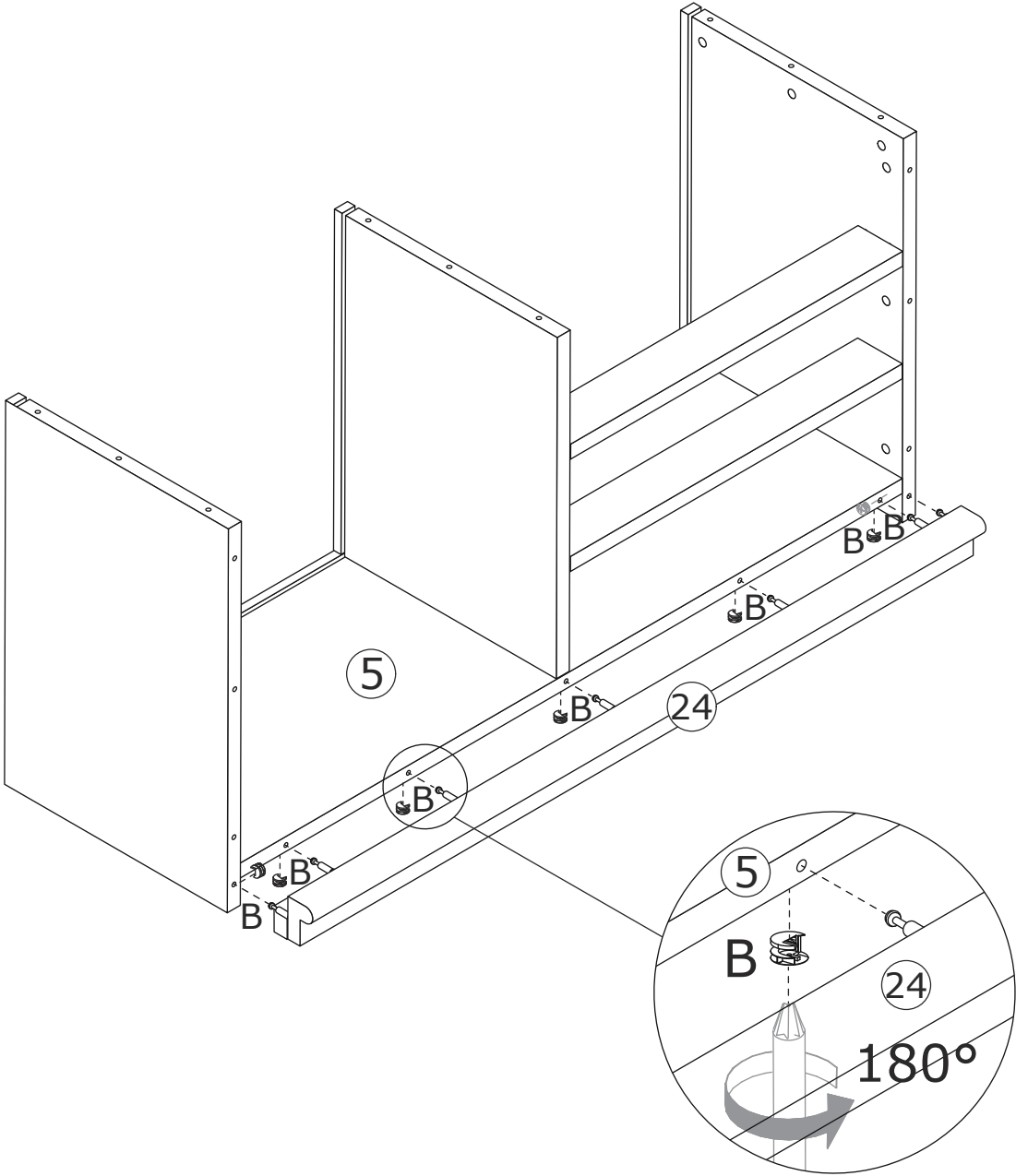


8

B x 7  
Ø15 x 10 mm

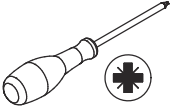


Attach board 24 to board 6, 5 and 7,  
add cam lock(B) into board 6, 5, 7 and  
turn clockwise to tighten as shown.

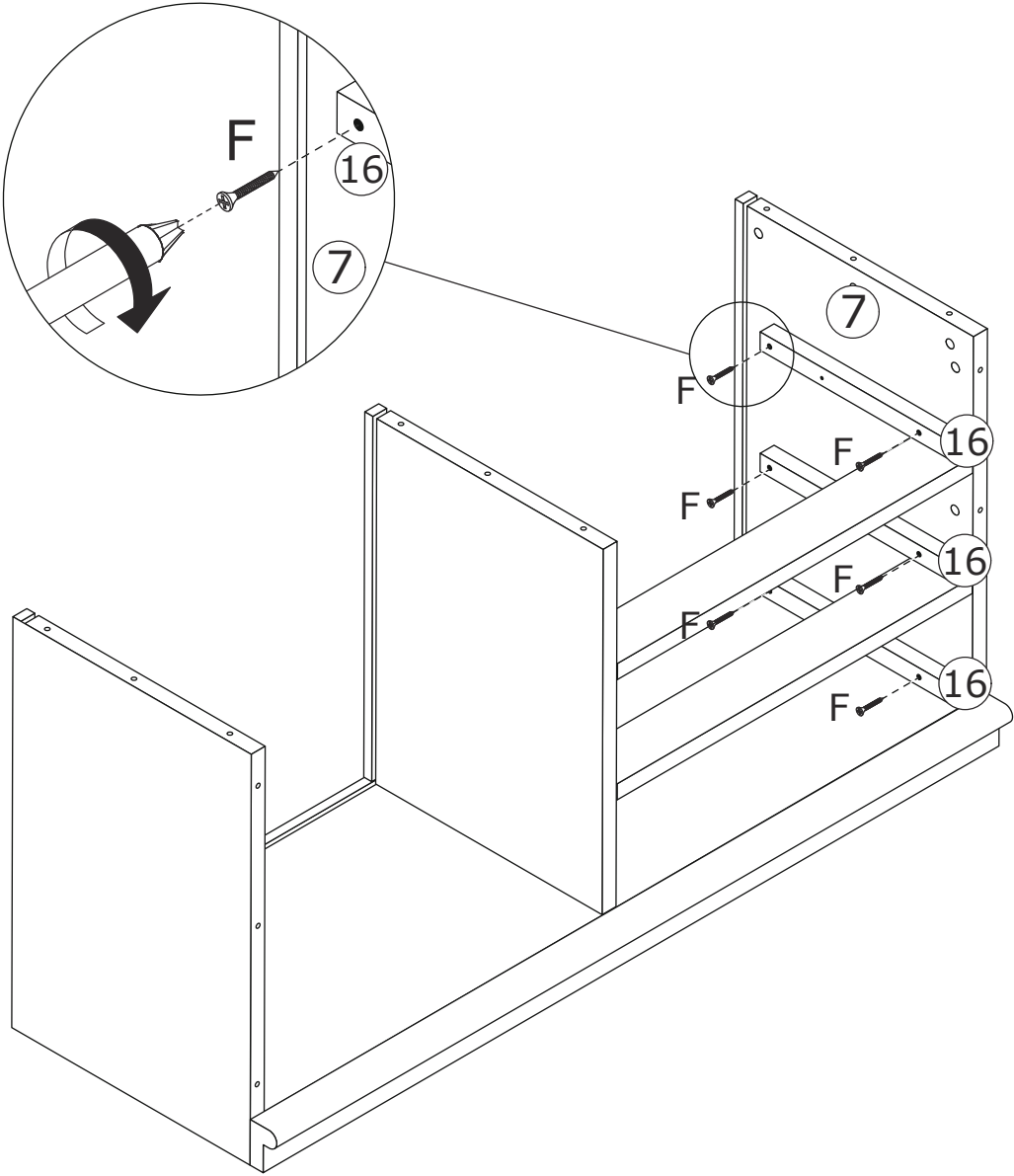


9

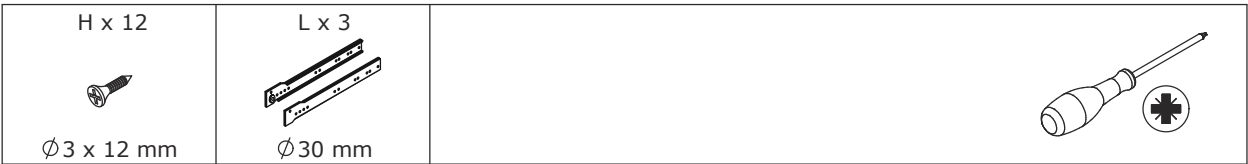
F x 6  
Ø4 x 30 mm



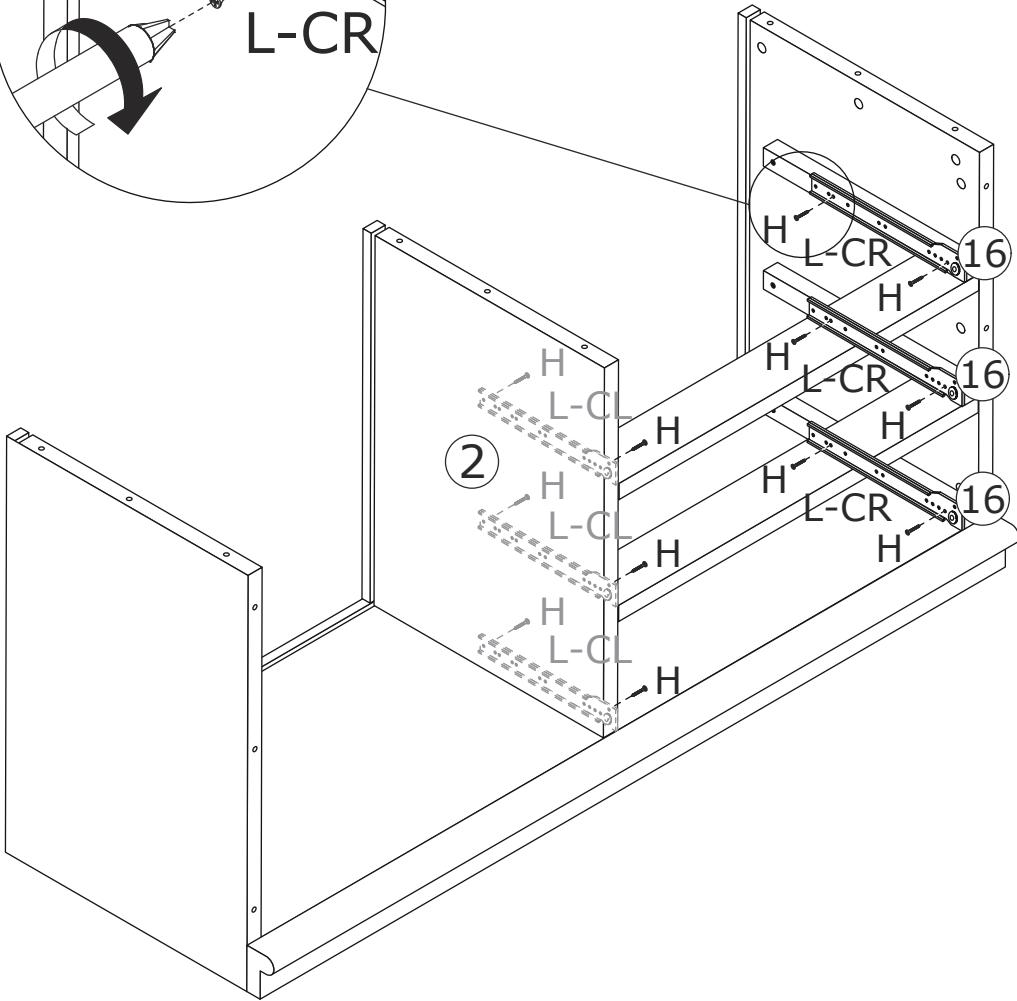
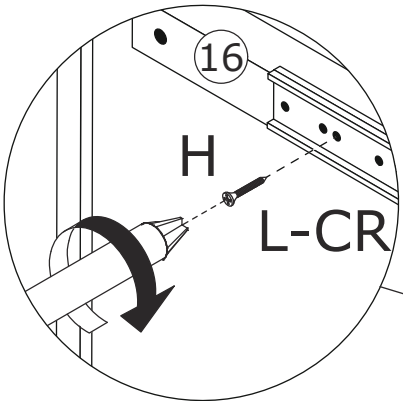
Fix board 16 to board 7  
with screw(F) as shown.



10

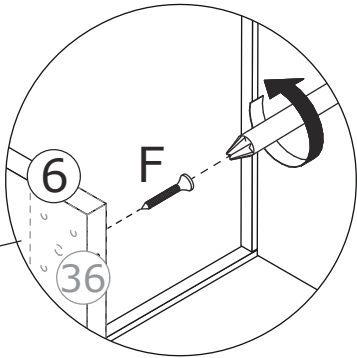
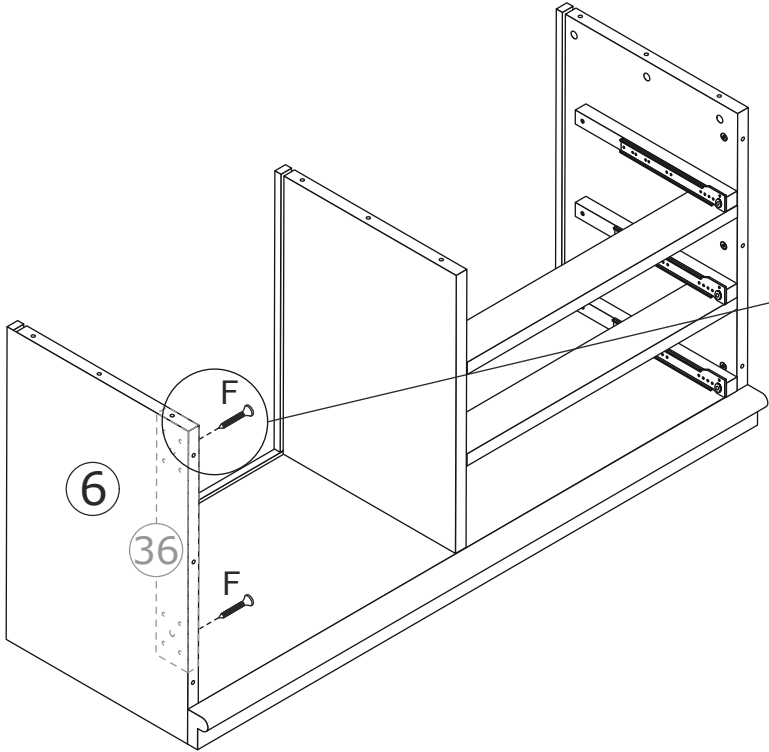
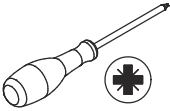


Fix rail(L) to two board 2 and 16 with screw(H) as shown.



11

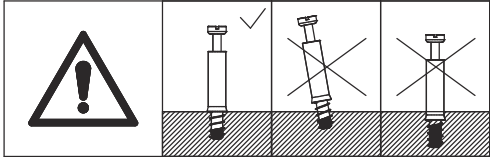
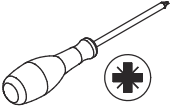
F x 2  
Ø4 x 30 mm



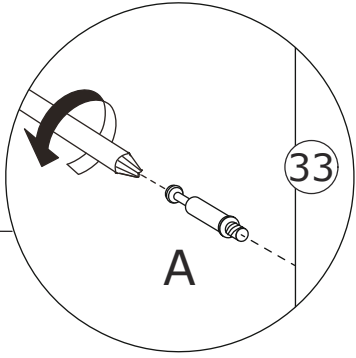
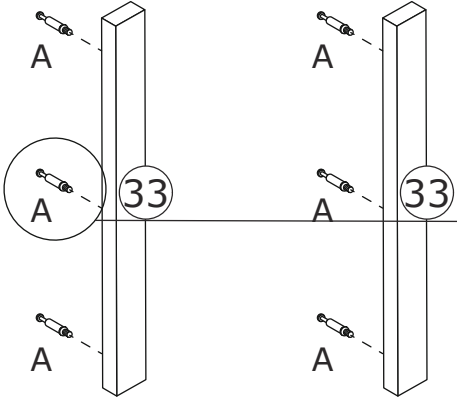
Fix board 36 to board 6 with screw(F) as shown.

12

A x 6  
Ø6 x 35 mm



Screw eccentric rod(A) into board 33 as shown.

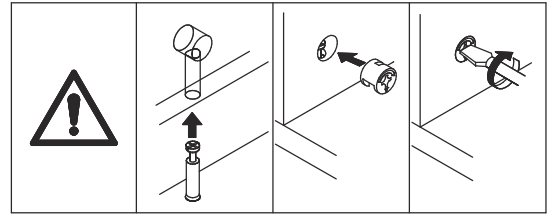
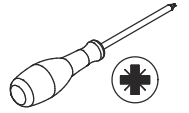


13

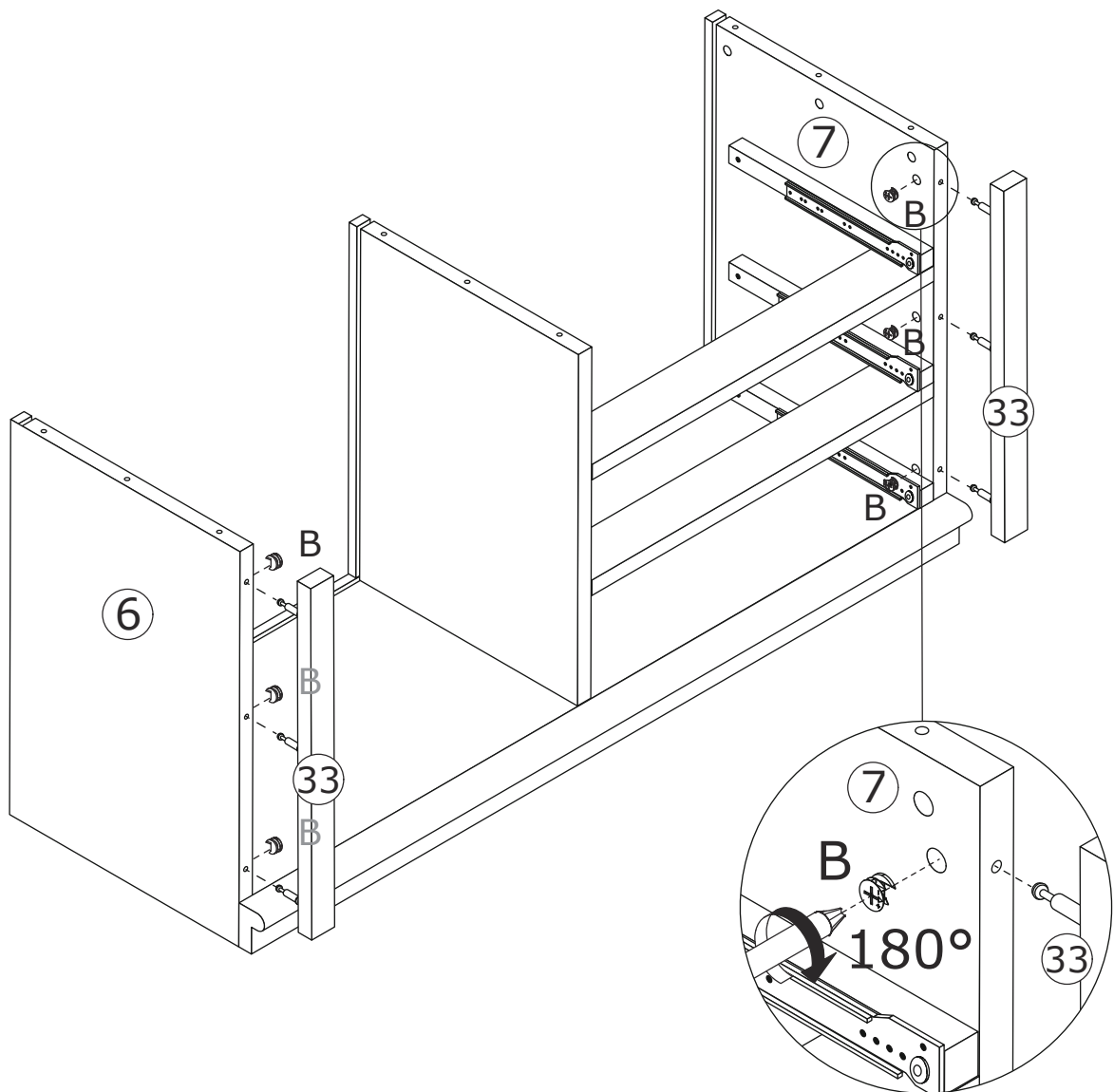
B x 6



Ø15 x 10 mm




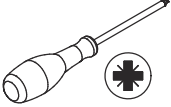


Attach board 33 to board 6 and 7, add cam lock(B) into board 6, 7 and turn clockwise to tighten as shown.

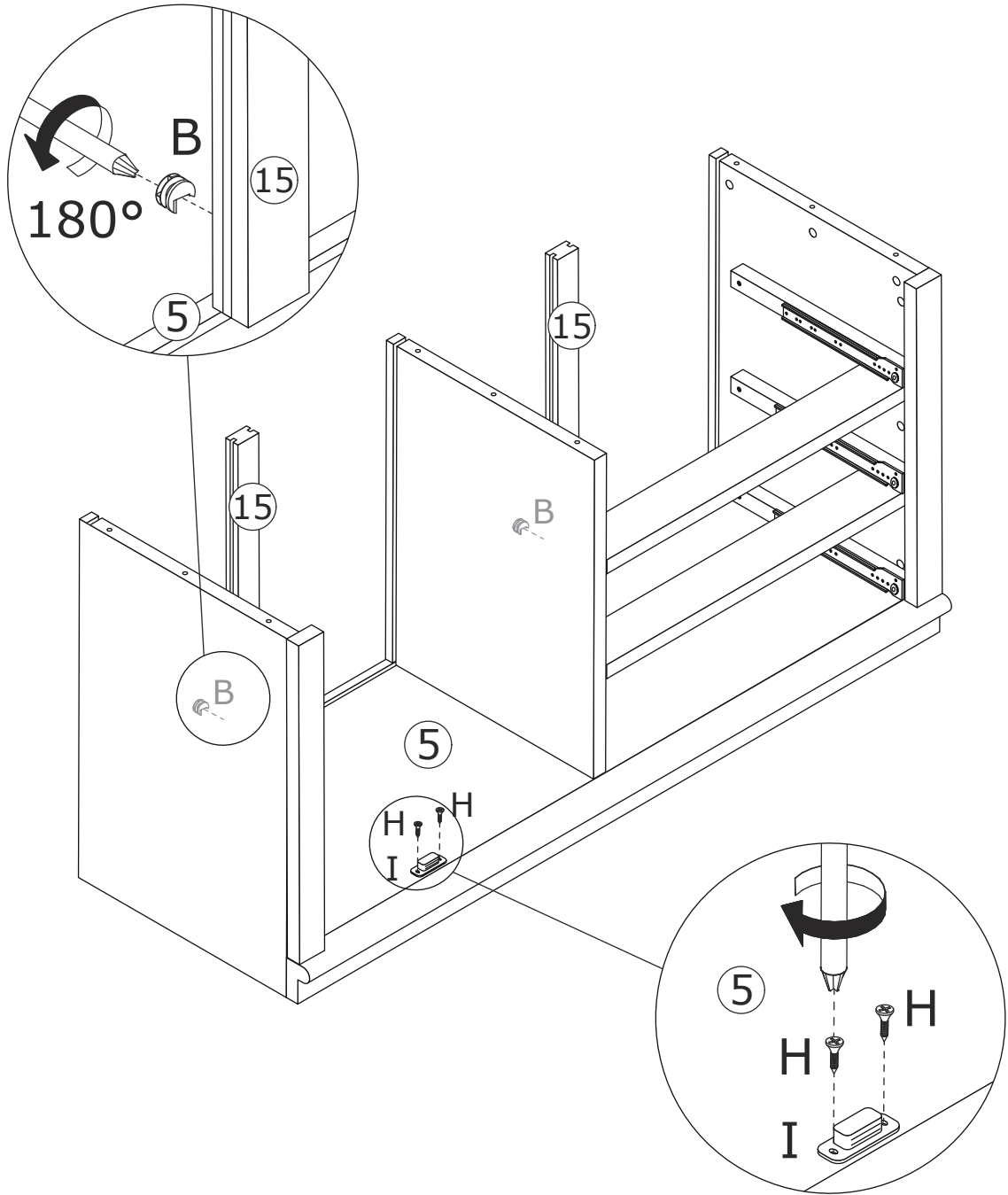
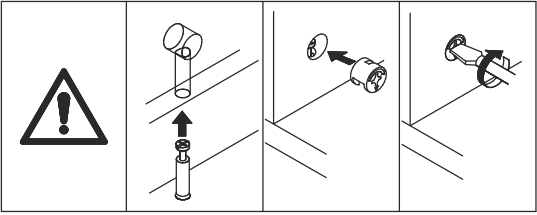




14

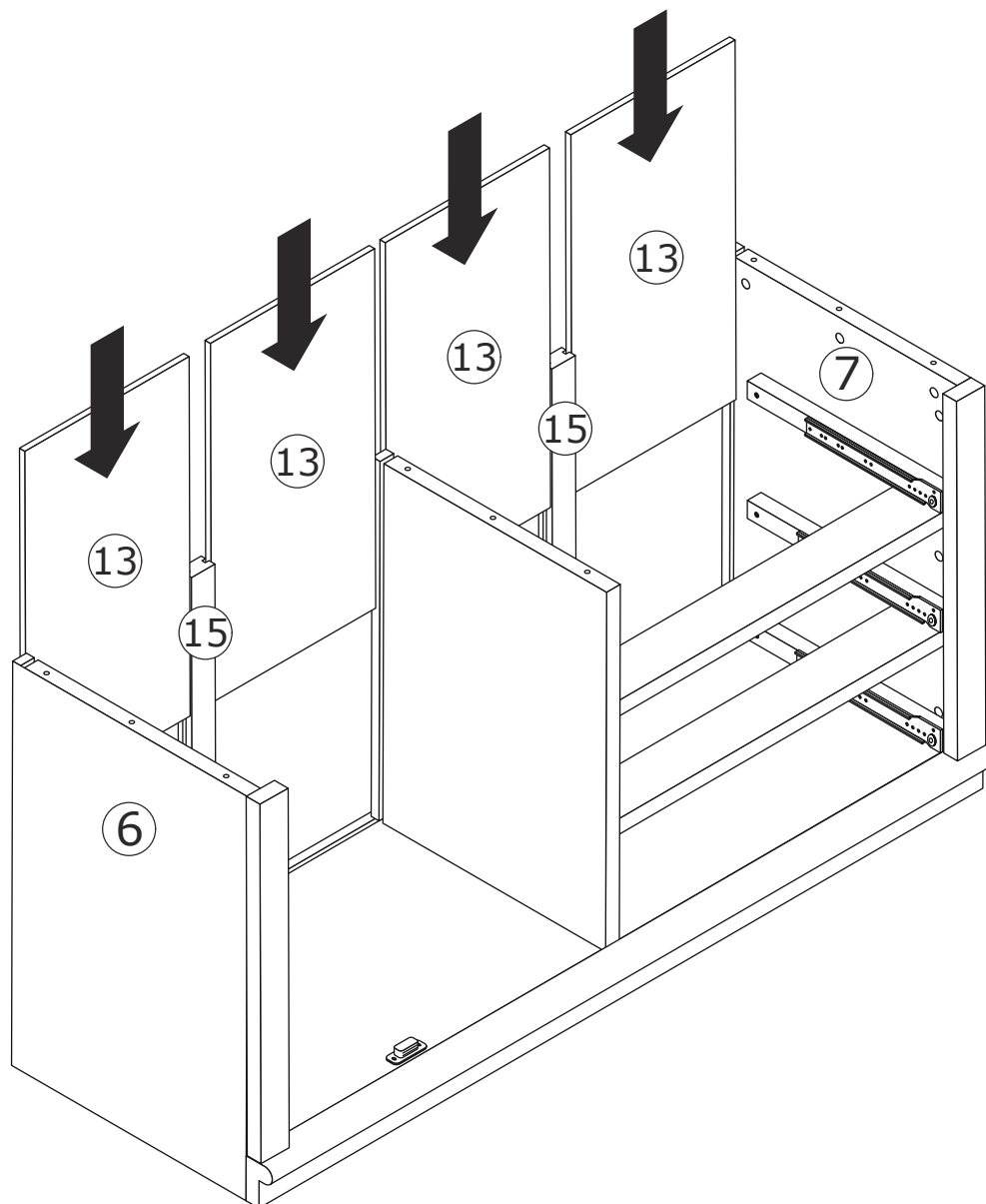
<p>B x 2</p>  <p>Ø15 x 10 mm</p>	<p>H x 2</p>  <p>Ø3 x 12 mm</p>	<p>I x 1</p> 	
---	--	--	---

Attach board 15 to board 5, add cam lock(B) into board 15 and turn clockwise to tighten as shown.  
Fix part(I) to board 5 with screw(H) as shown.

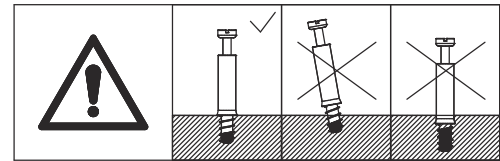
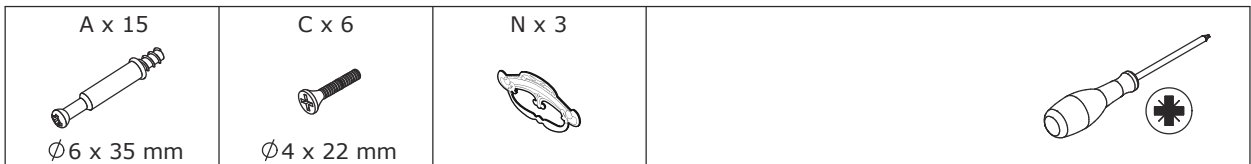


15

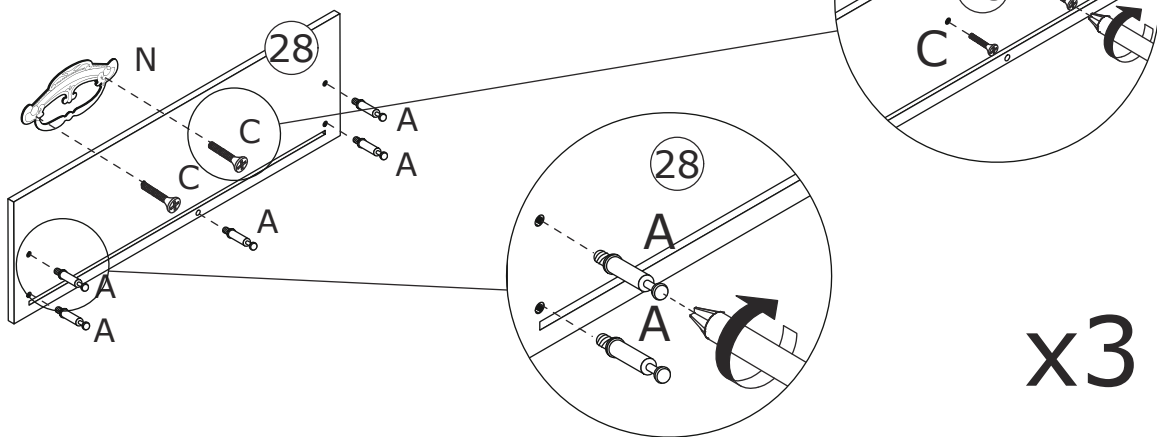
Insert back board 13 along available grooves as shown.



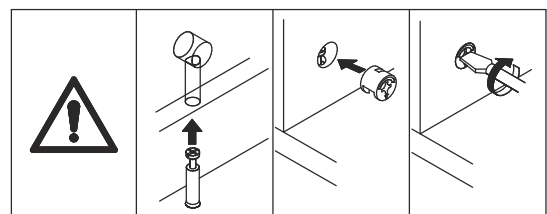
16



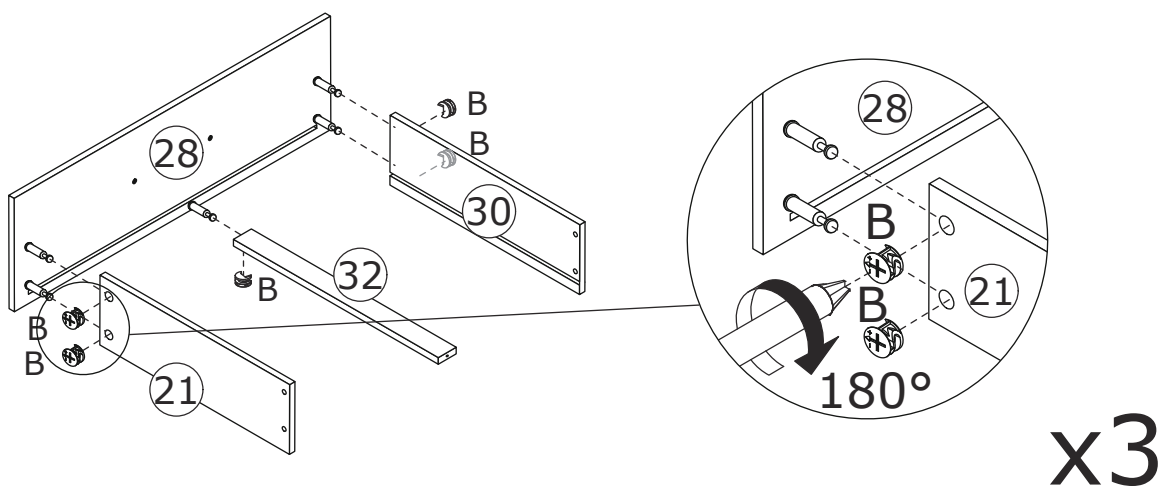
Screw eccentric rod(A) into board 28 at first.  
Fix handle(N) with screw(C) as shown.



17

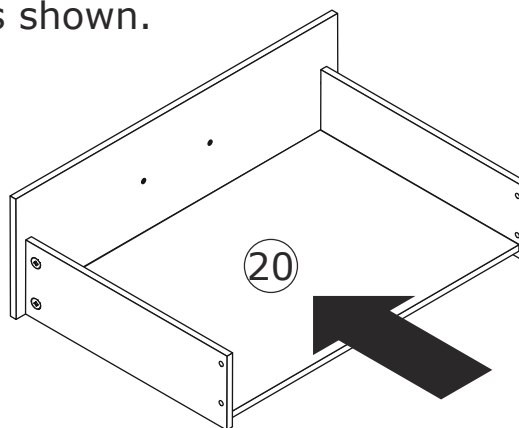


Attach board 21, 32 and 30 to board 28,  
add cam lock(B) into and turn  
clockwise to tighten as shown.



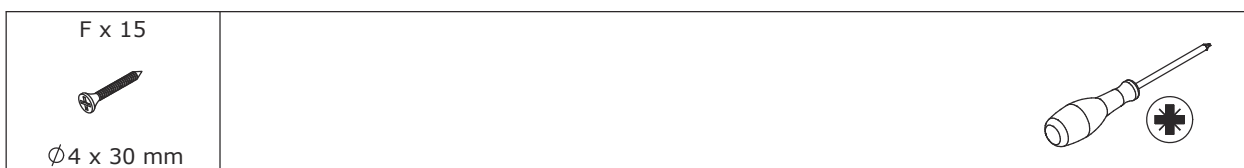
18

Insert bottom board 20 along grooves as shown.

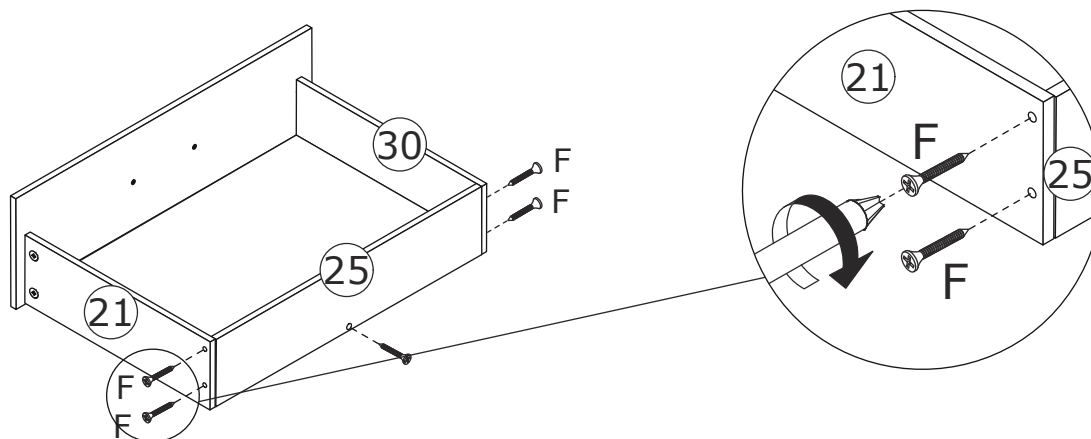


x3

19



Fix board 25 to board 21, 32 and 30 with screw(F) as shown.

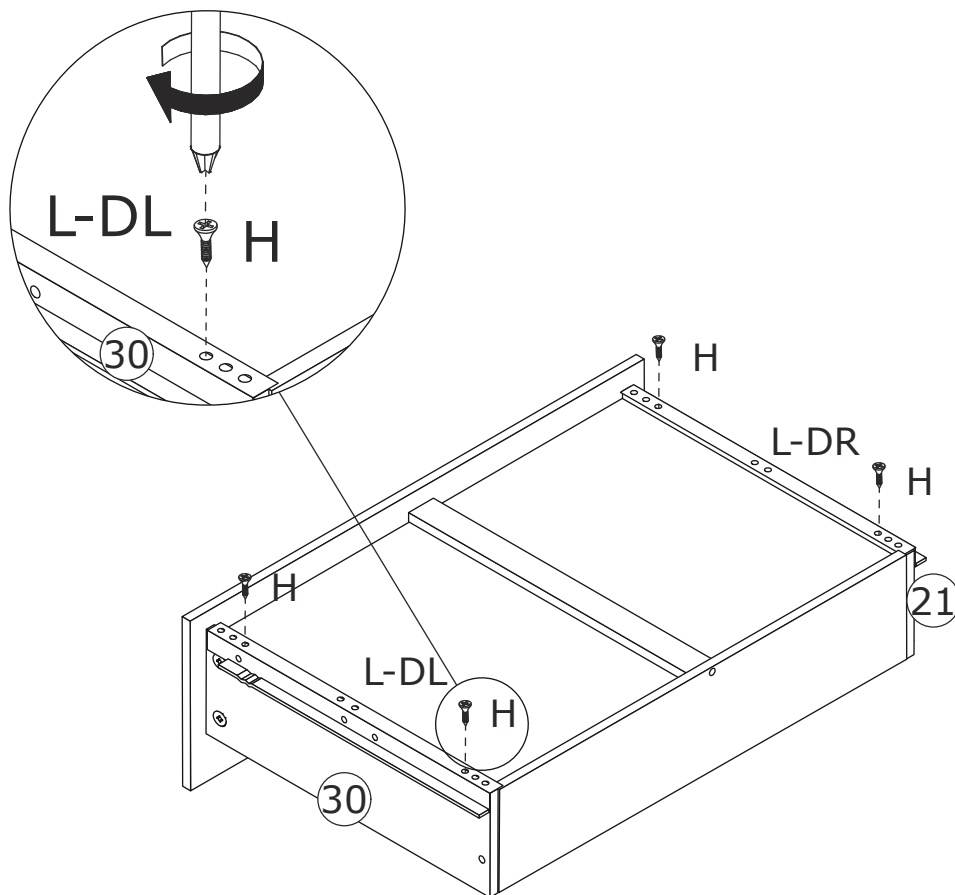


x3

20




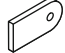
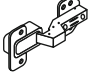
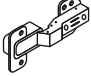
<p>H x 12</p>  <p>Ø3 x 12 mm</p>	<p>L x 3</p>  <p>Ø30 mm</p>	
---	--	---

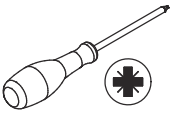
Fix runner(L) to board 21 and 30 with screw(H) as shown.



x3

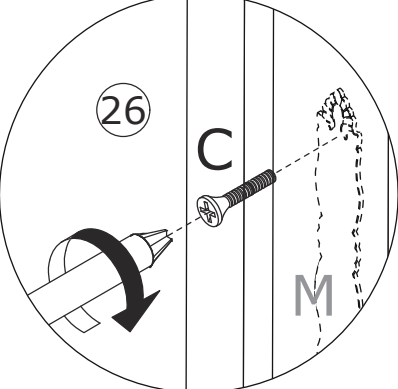
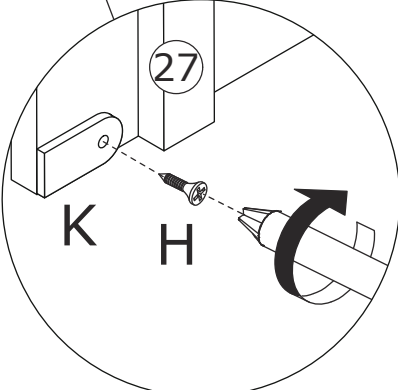
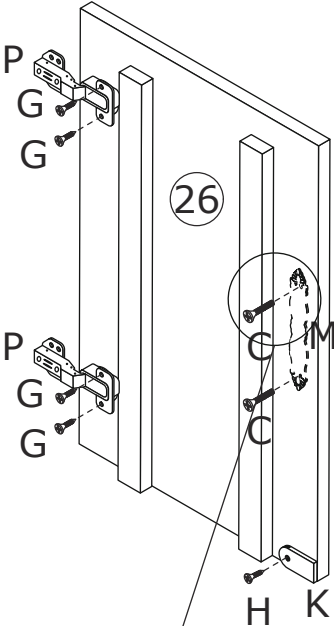
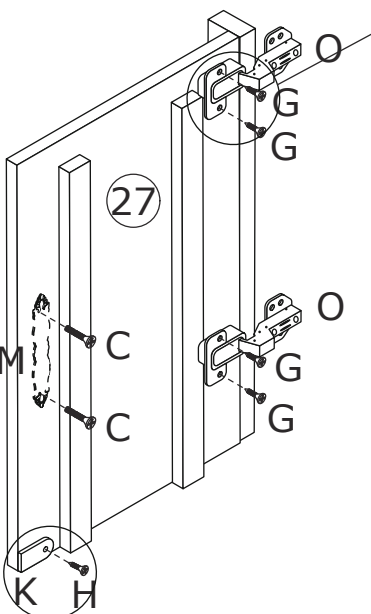
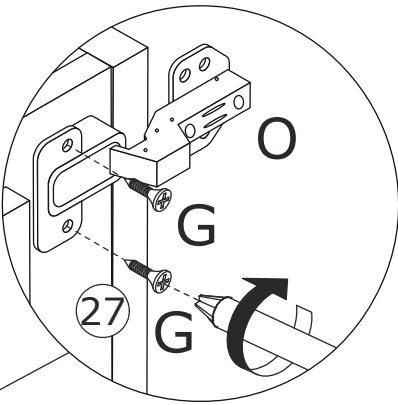
21

<p>C x 4</p>  <p>Ø4 x 22 mm</p>	<p>G x 8</p>  <p>Ø3 x 15 mm</p>	<p>H x 2</p>  <p>Ø3 x 12 mm</p>
<p>K x 2</p>  <p>Ø25 x 10 x 1 mm</p>	<p>O x 2</p> 	<p>P x 2</p> 




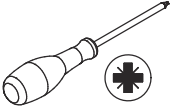
Fix hinge(O) to board 27 with screw(G), fix handle(M) with screw(C), fix part(K) with screw(H) as shown.

Fix hinge(P) to board 26 with screw(G), fix handle(M) with screw(C), fix part(K) with screw(H) as shown.

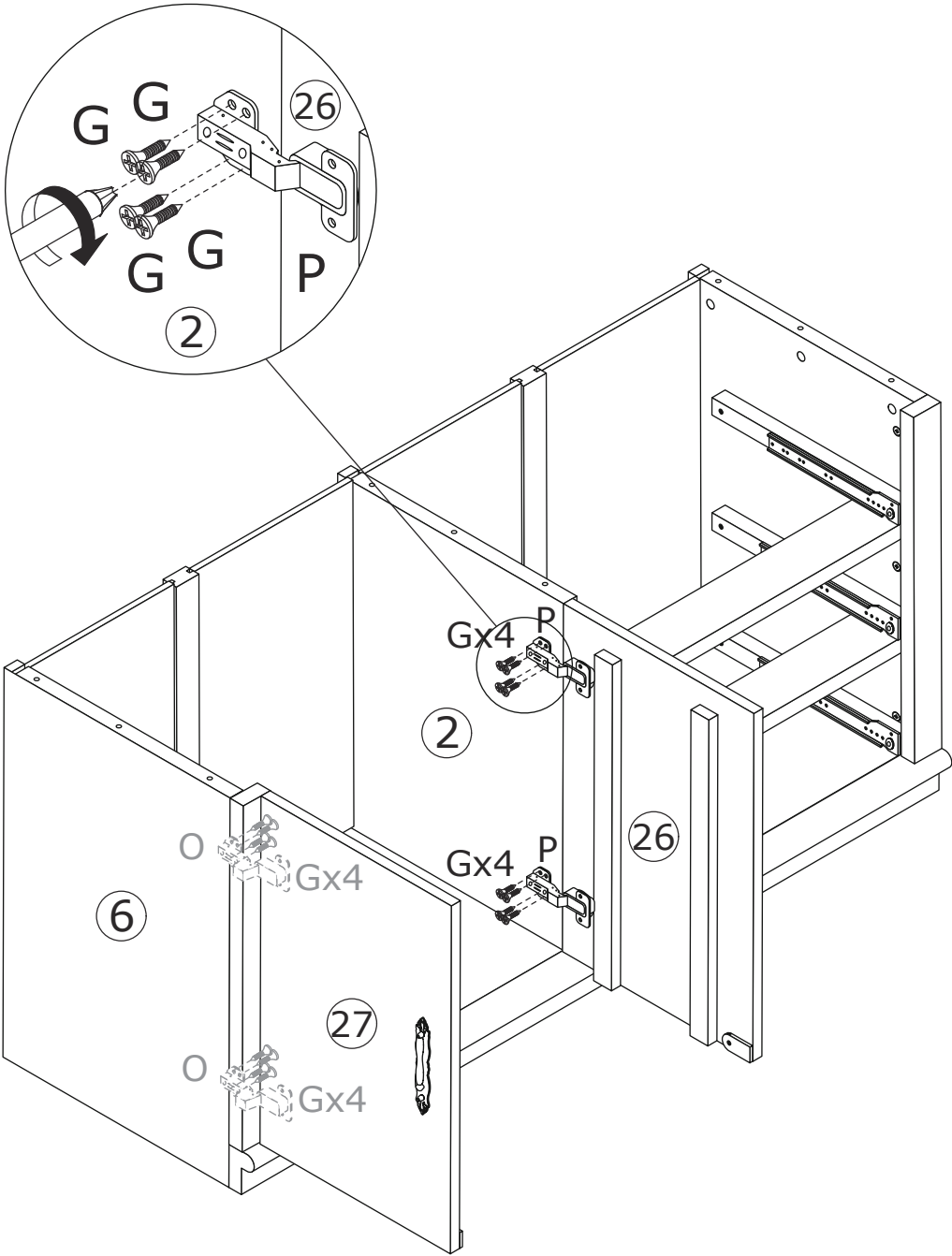


22

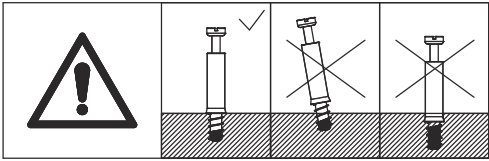
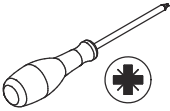
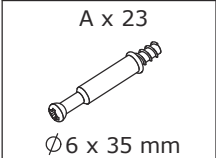
G x 16  
  
Ø3 x 15 mm



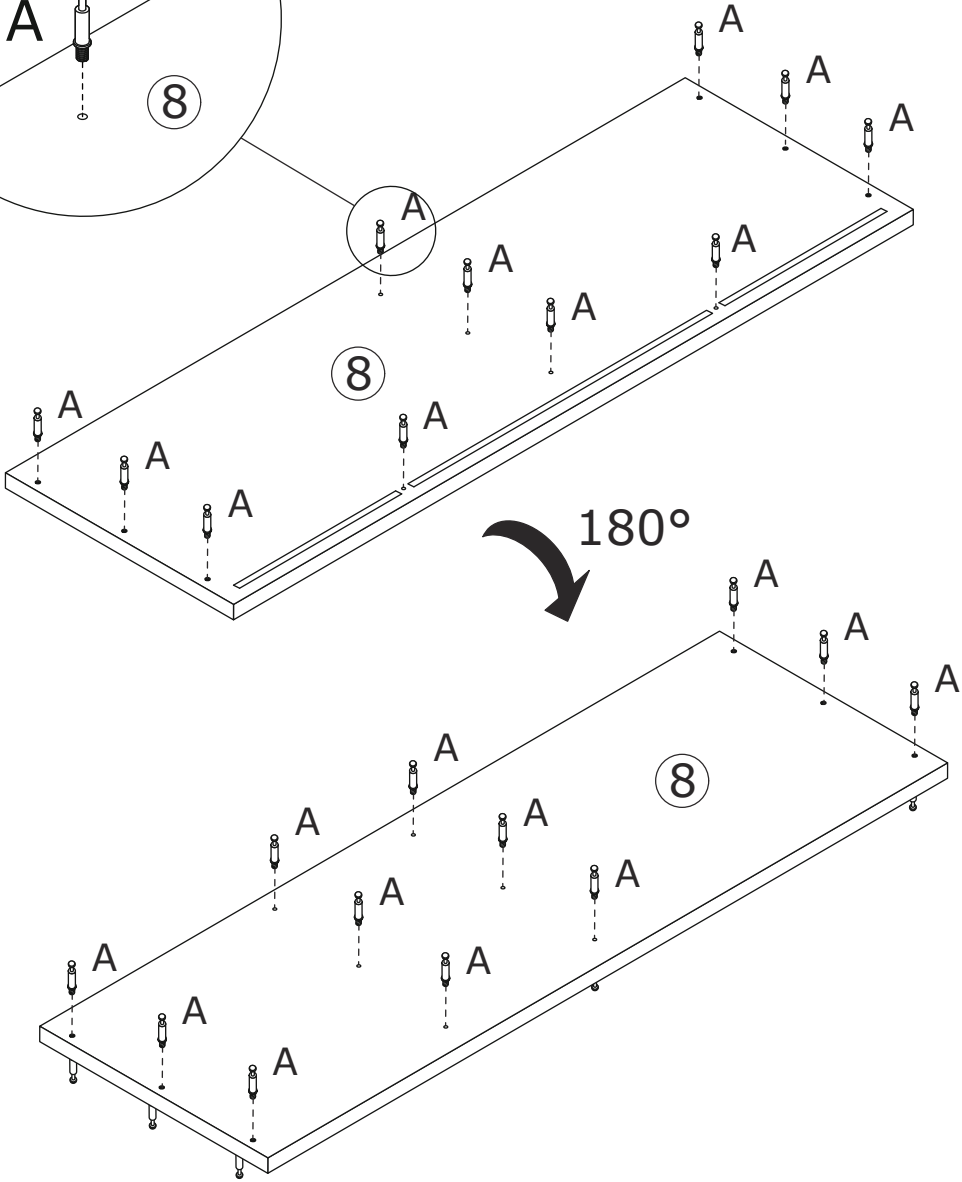
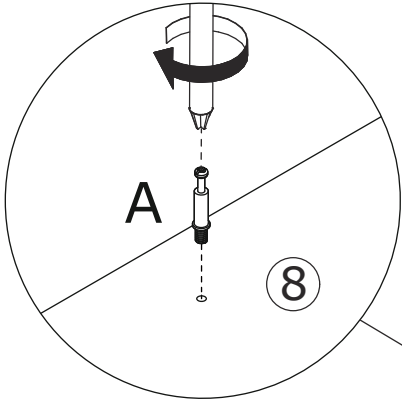
Assemble door panel 27 to board 36  
by fixing hinge with screw(G) as shown.  
Assemble door panel 26 to board 2  
by fixing hinge with screw(G) as shown.



23



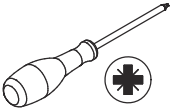
Screw eccentric rod(A)  
into board 8 at first.



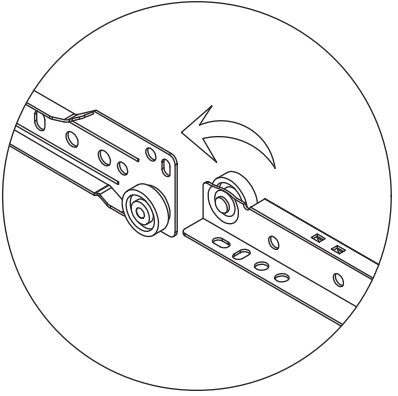
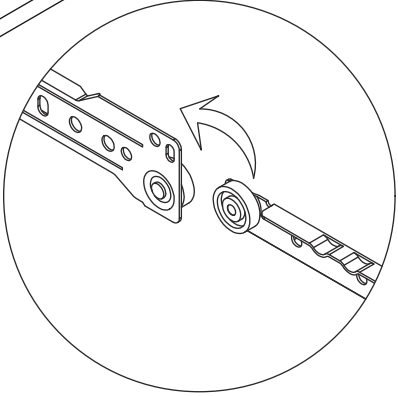
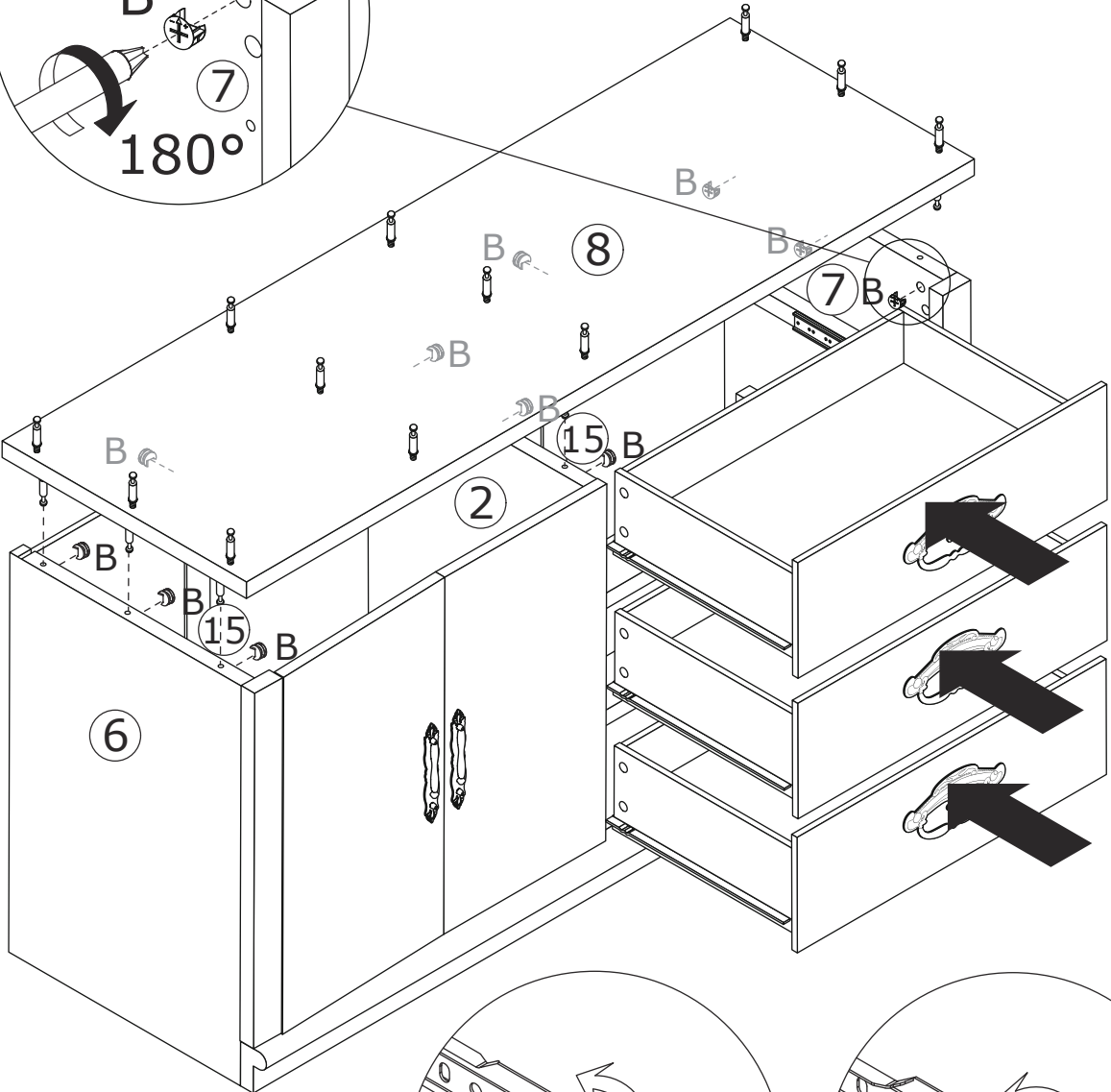
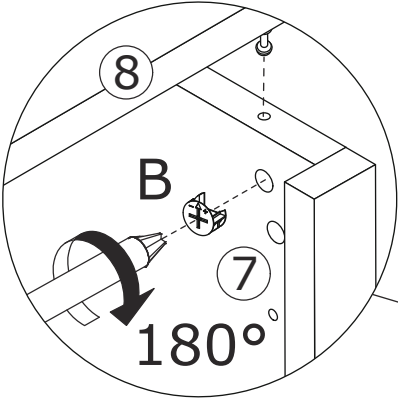
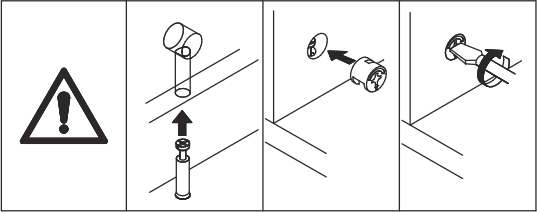


24

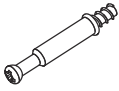


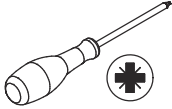
B x 11  
Ø15 x 10 mm

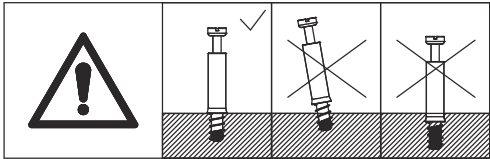


Cover board 8 to board 6, 2, 15 and 7, add cam lock(B) into board 6, 2, 15, 7 and turn clockwise to tighten as shown.

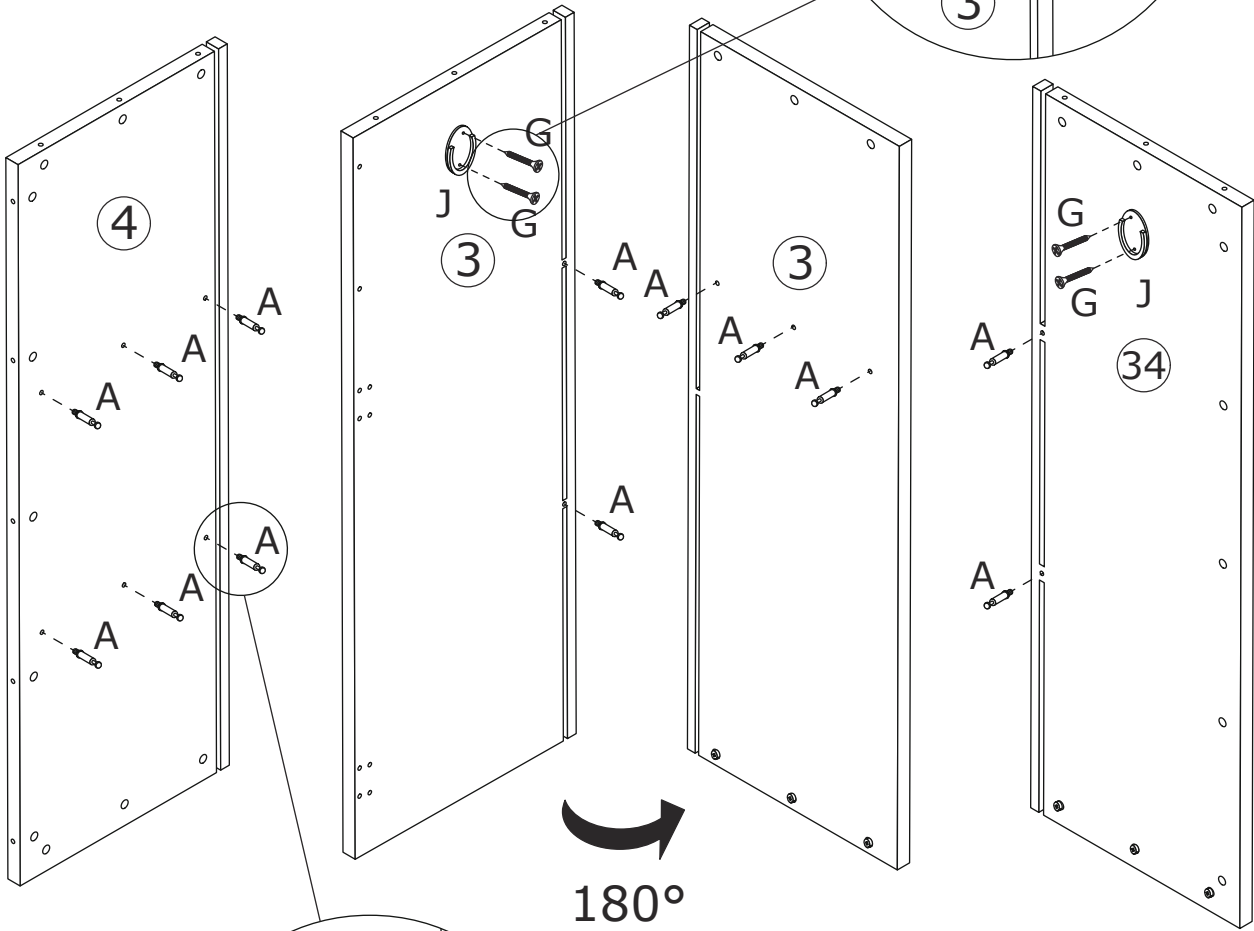
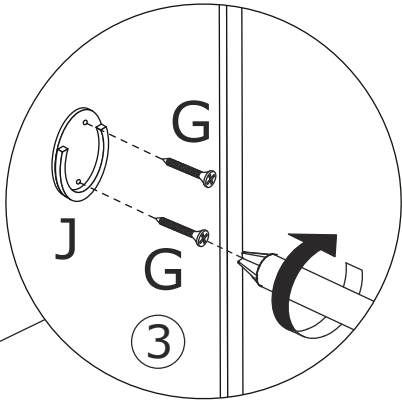


25

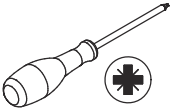
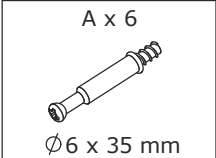
A x 13  Ø6 x 35 mm	G x 4  Ø3 x 15 mm	J x 2 	
---	--	--	---



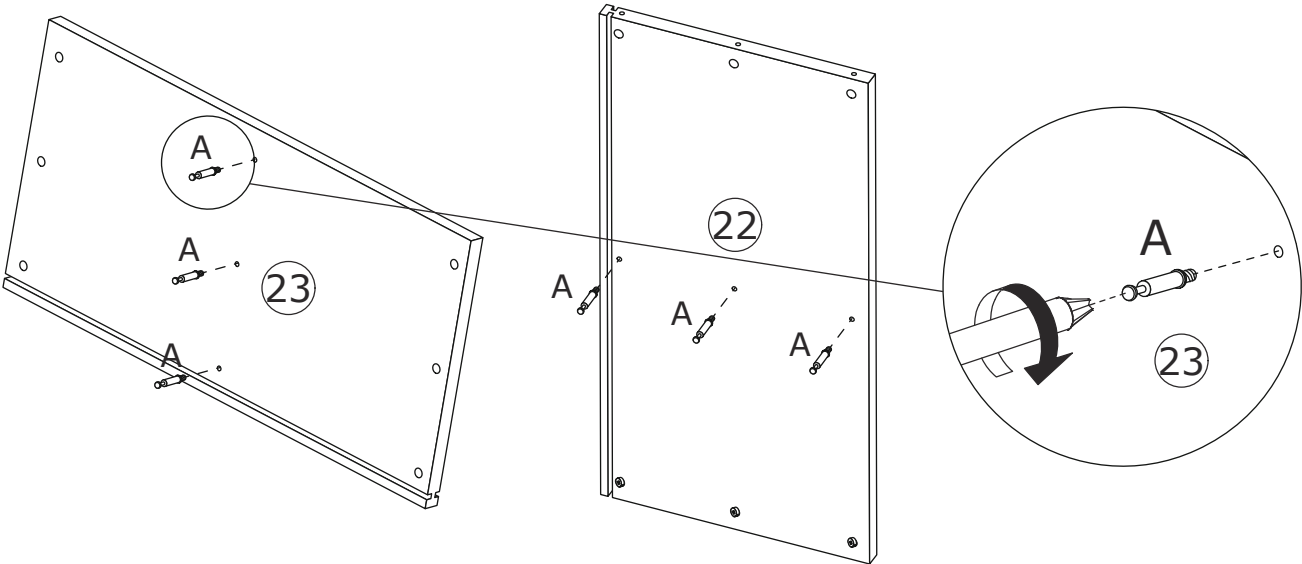
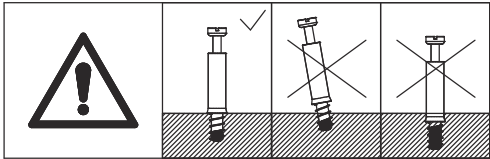
Screw eccentric rod(A) into board 4, 3 and 34 at first. Fix part(J) to board 3 and 34 with screw(G) as shown.



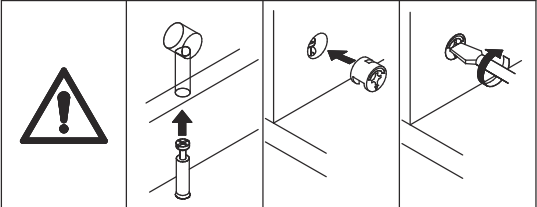
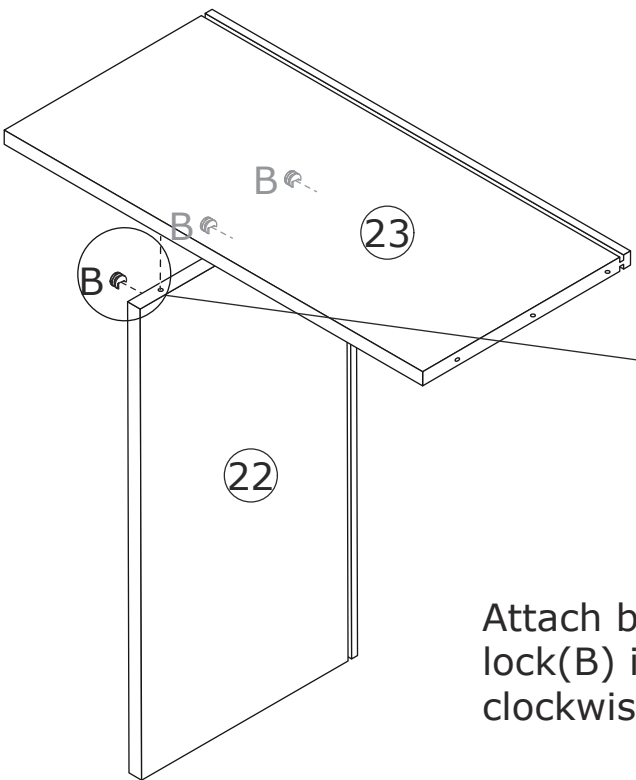
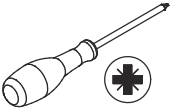
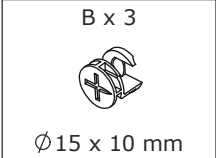
26



Screw eccentric rod(A) into board 22 and 23 at first.



27



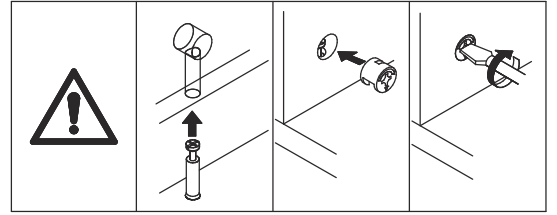
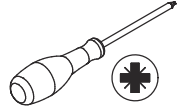
Attach board 23 to board 22, add cam lock(B) into board 22 and turn clockwise to tighten as shown.

28

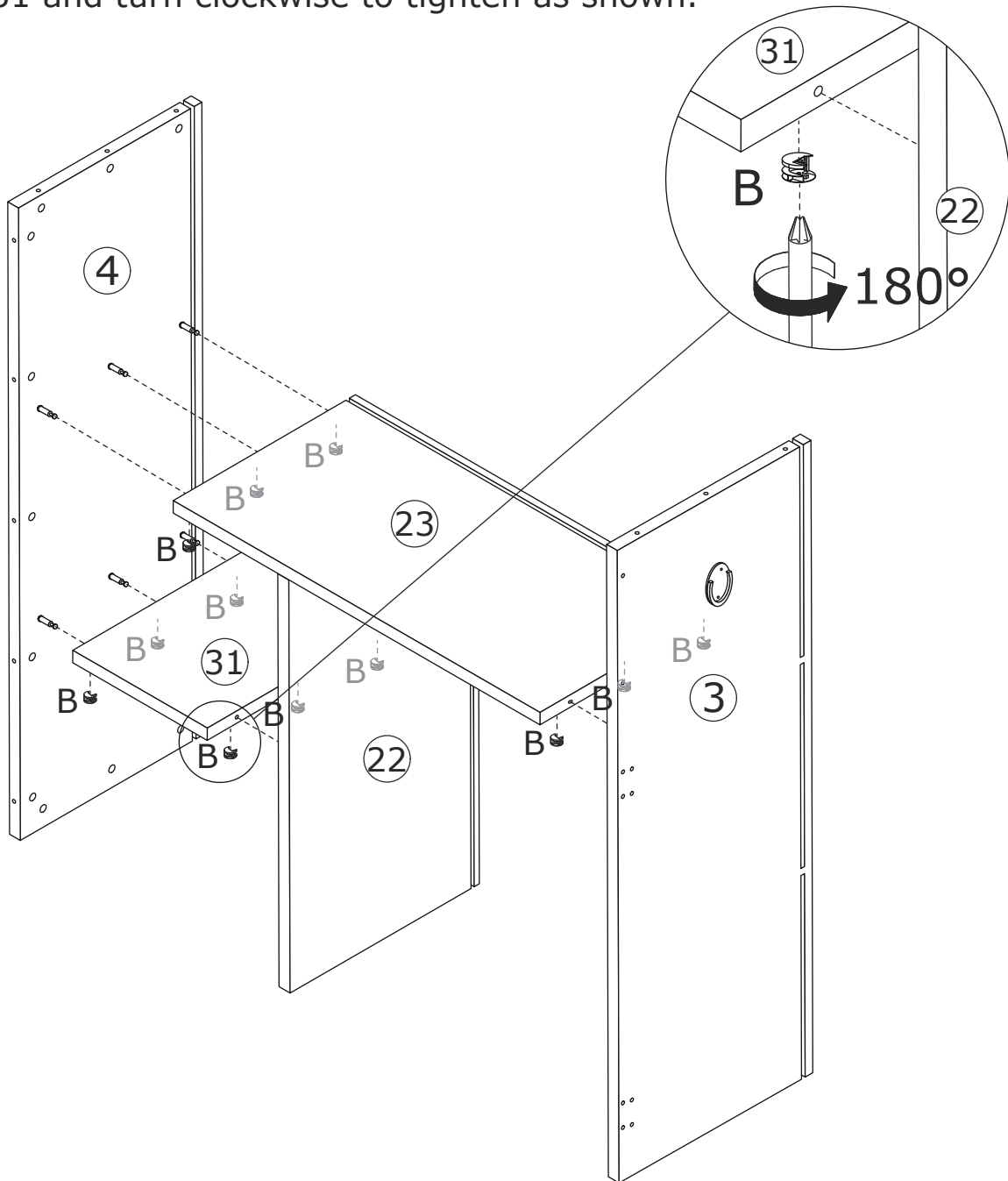
B x 12



Ø15 x 10 mm

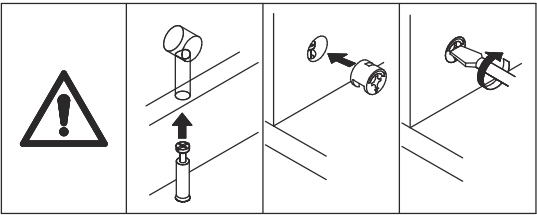
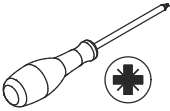


Attach board 4, 31 and 3 to board 22 and 23, add cam lock(B) into board 23, 31 and turn clockwise to tighten as shown.

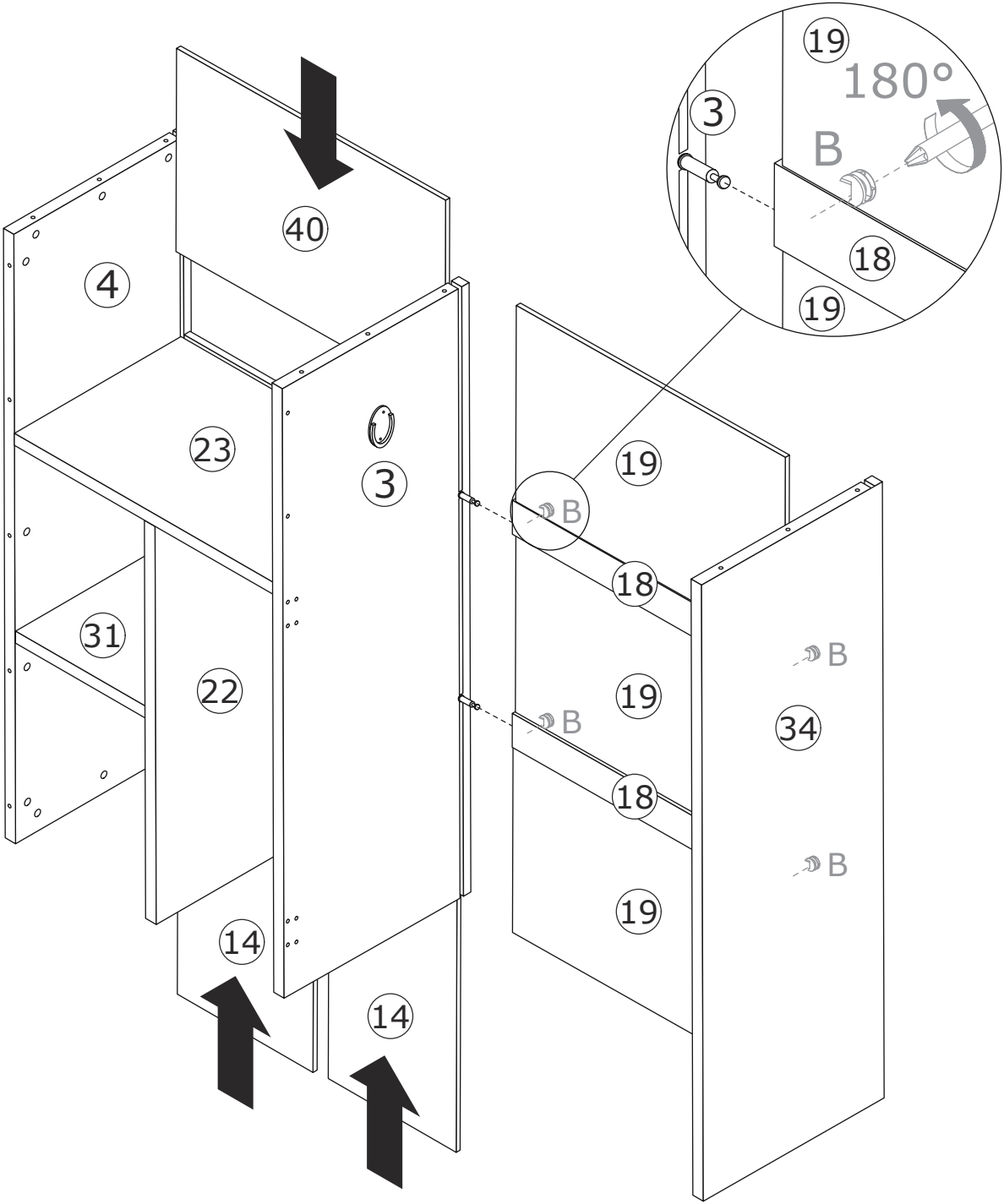


29

B x 4  
Ø15 x 10 mm



Insert back board 40 and 14 along available grooves as shown. Connect board 18 and 19 to board 3 and 34, add cam lock(B) into board 18 and turn clockwise to tighten as shown.

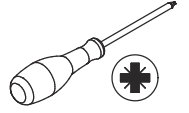


30

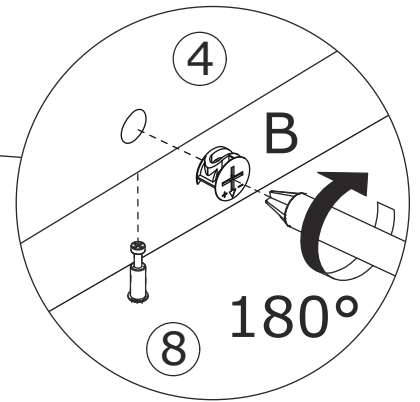
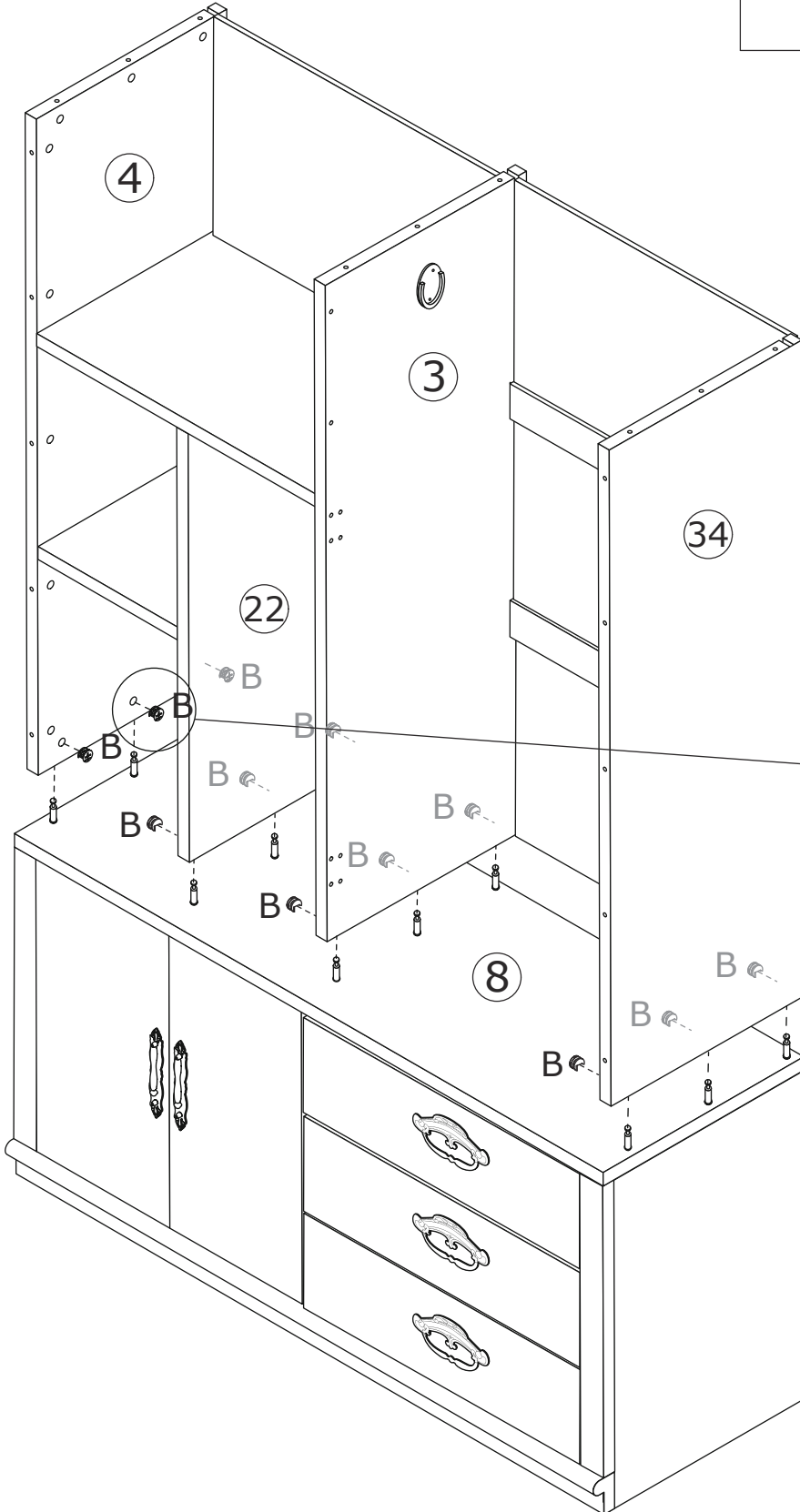
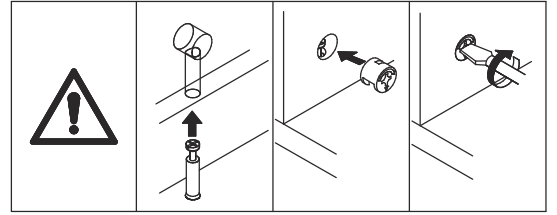
B x 12



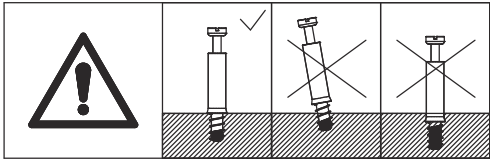
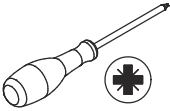
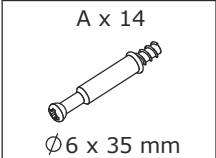
Ø15 x 10 mm



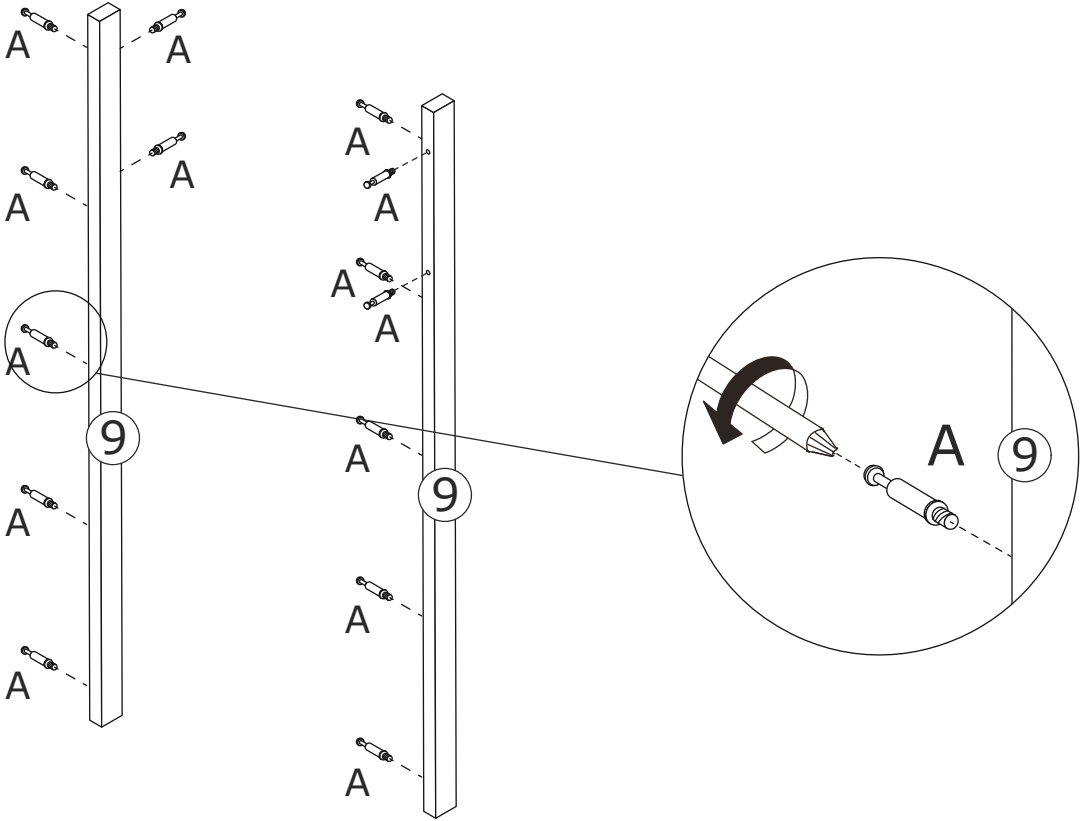
Connect the two components together, add cam lock(B) into and turn clockwise to tighten as shown.



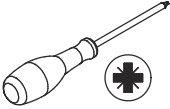
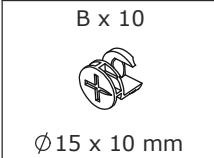
31



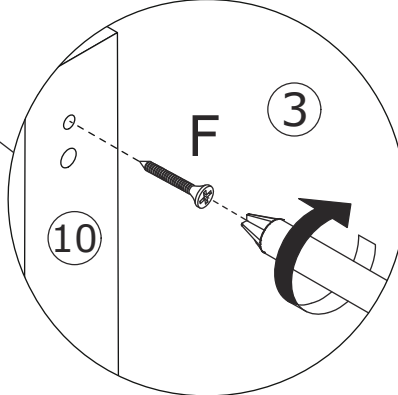
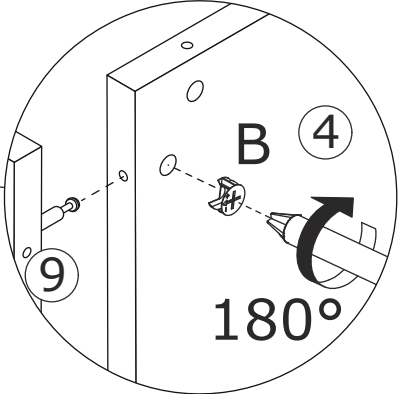
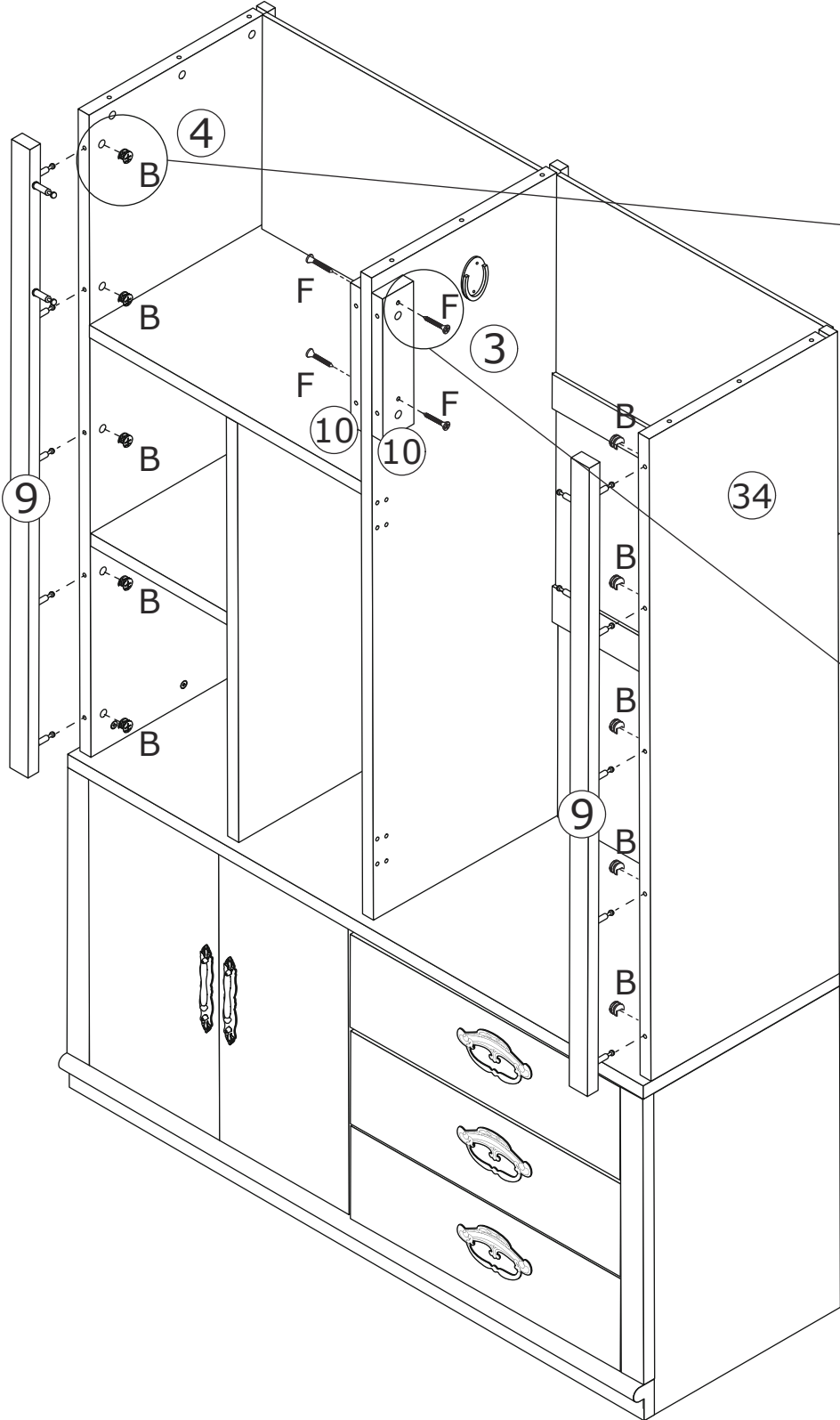
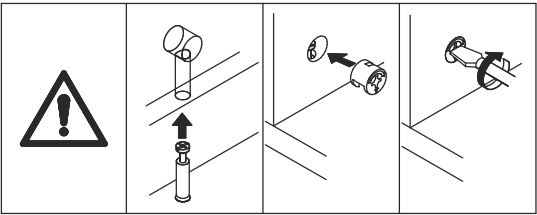
Screw eccentric rod(A)  
into board 9 at first.



# 32

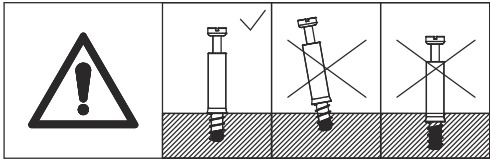
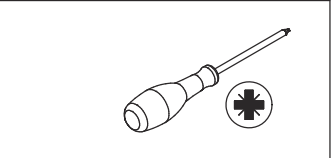
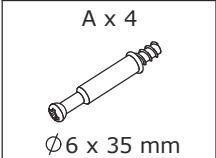


Attach board 9 to board 4 and 34, add cam lock(B) into board 4, 34 and turn clockwise to tighten as shown.  
Fix board 10 to board 3 with screw(F) as shown.

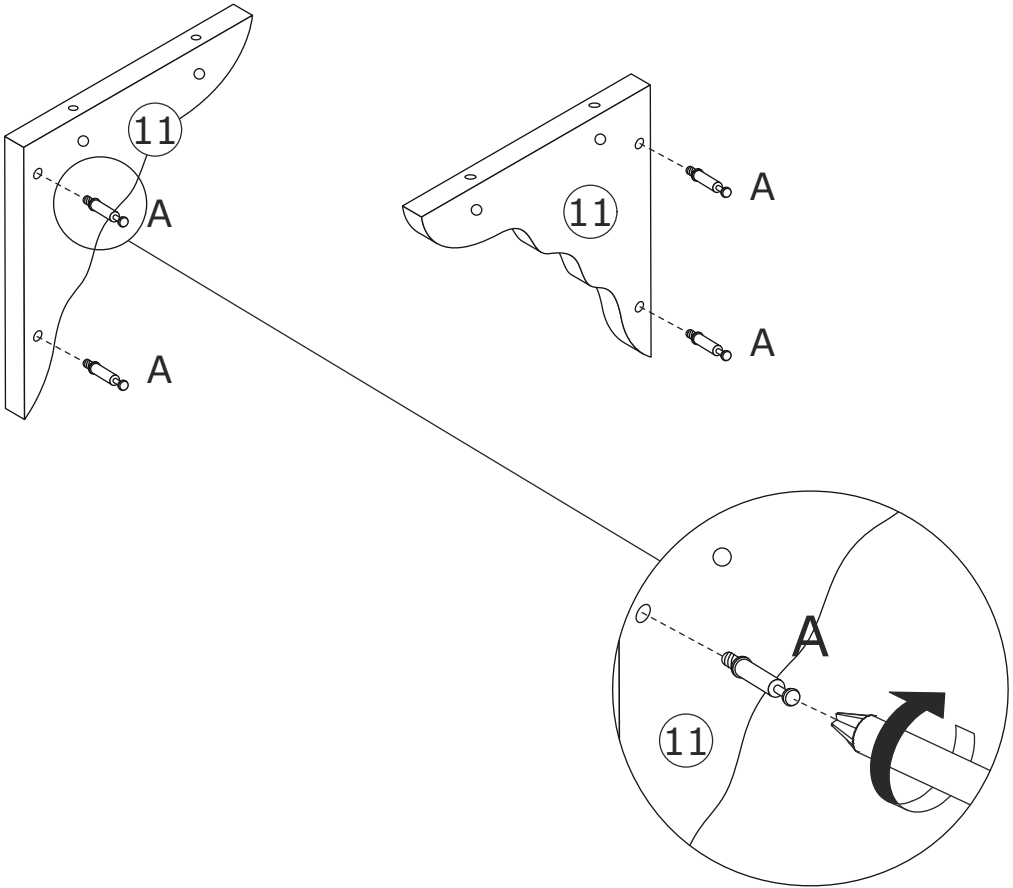




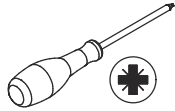
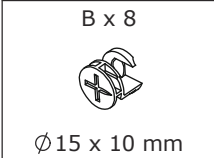
33



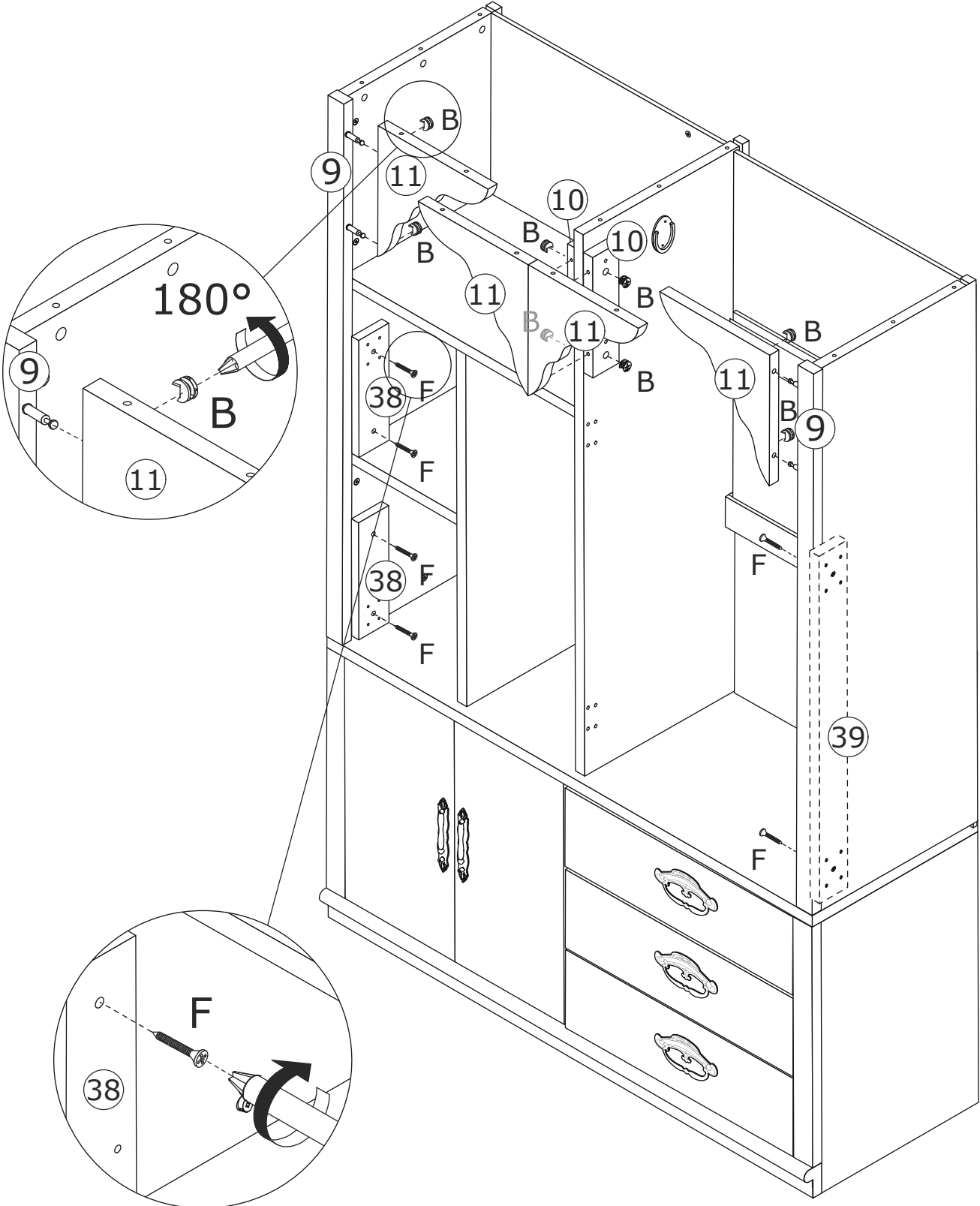
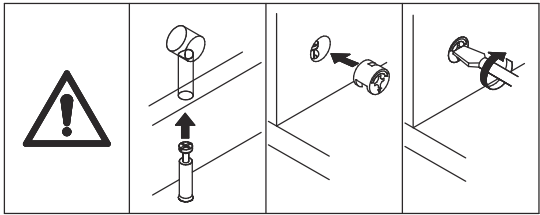
Screw eccentric rod(A) into board 11 at first.



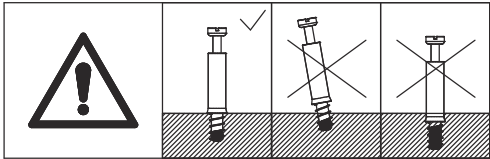
# 34



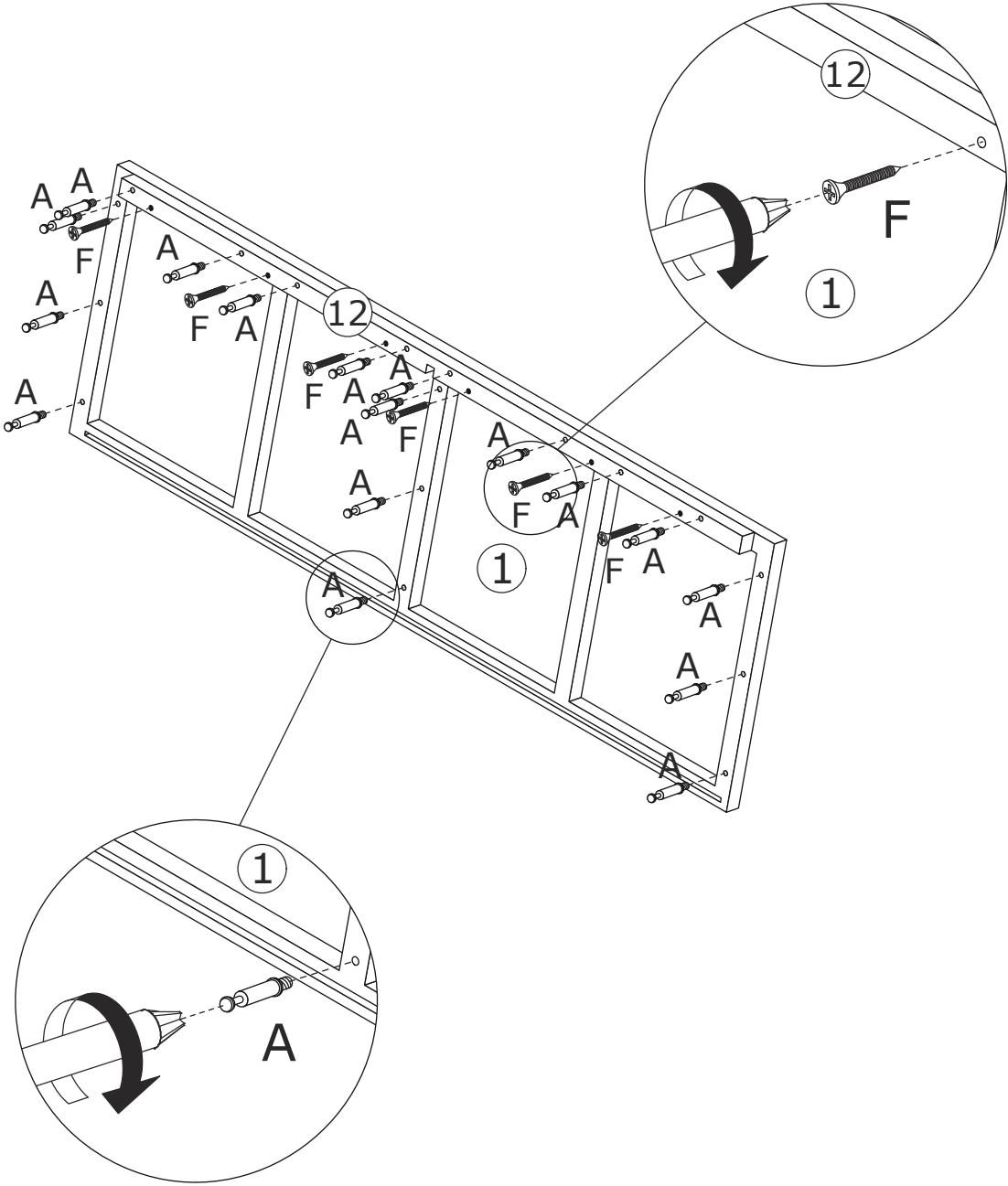
Attach board 11 to board 9 and 10, add cam lock(B) into board 10, 11 and turn clockwise to tighten as shown. Fix board 38 to board 4; board 39 to board 34 with screw(F) as shown.



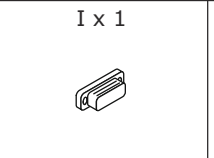
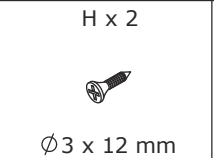
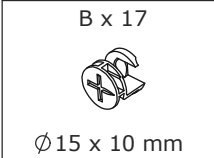
35



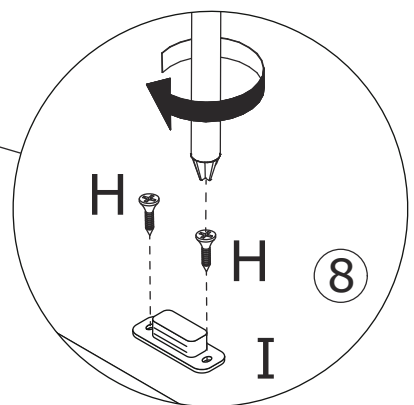
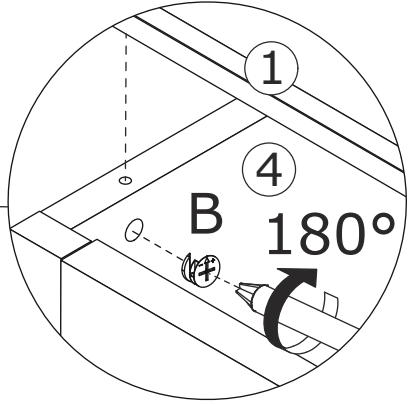
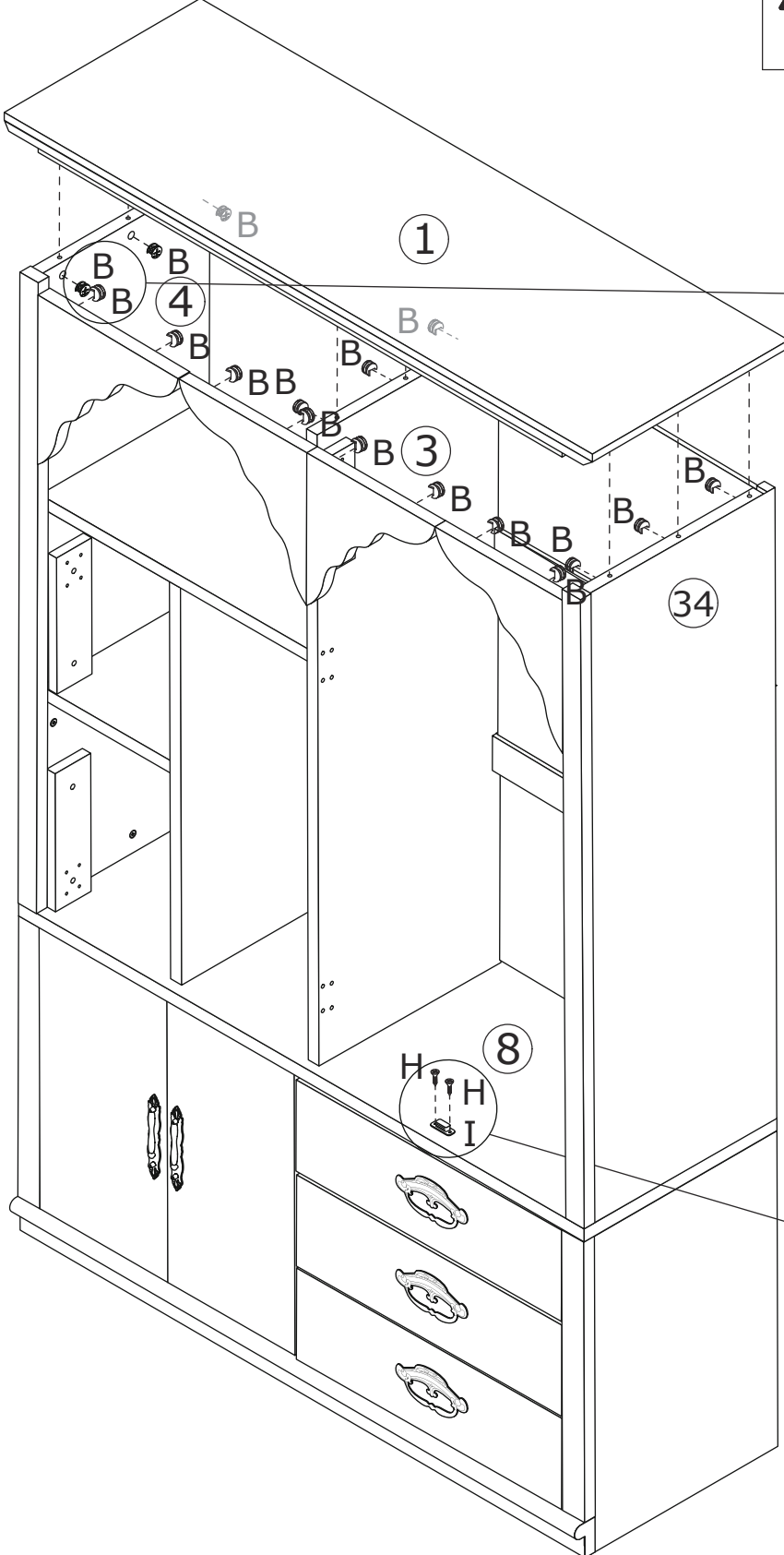
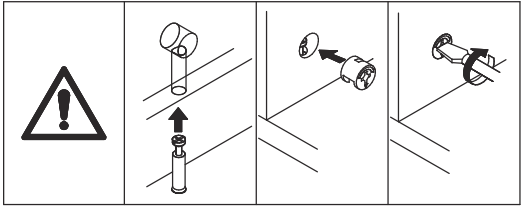
Fix board 12 to board 1 with screw(F) as shown.  
Screw eccentric rod(A) into board 1 at first.




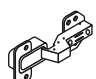
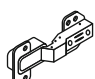
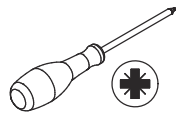
36



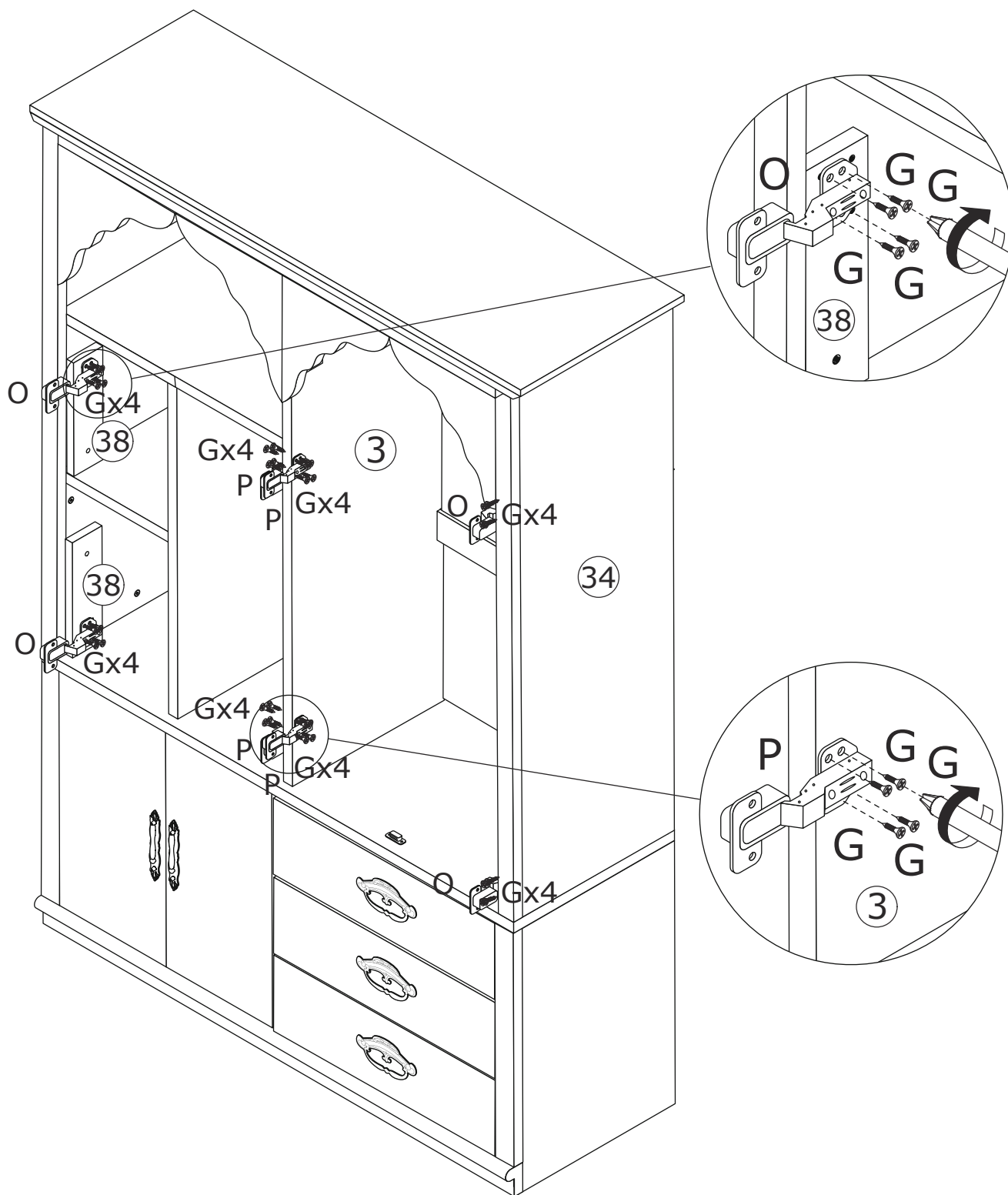
Cover board 1 to the top, add cam lock(B) into and turn clockwise to tighten as shown. Fix part(I) to board 8 with screw(H) as shown.







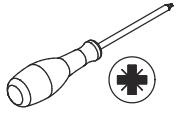
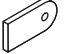
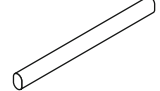

37

G x 32  Ø3 x 15 mm	O x 4 	P x 4 	
---	--	--	---

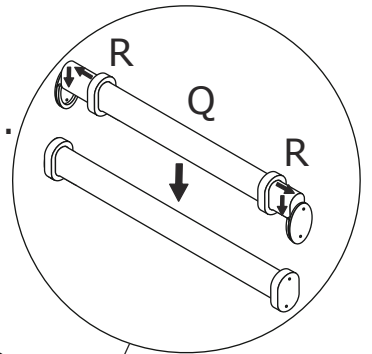
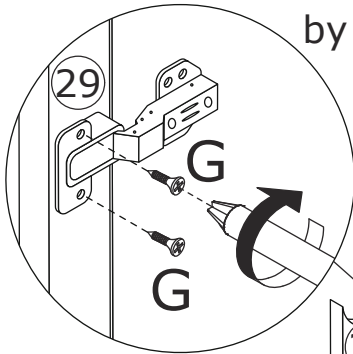
Fix hinge(O) to left and right side boards with screw(G) as shown.  
Fix hinge(P) to middle side board with screw(G) as shown.



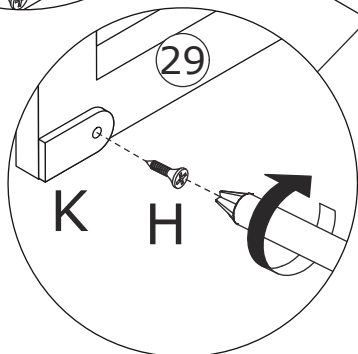
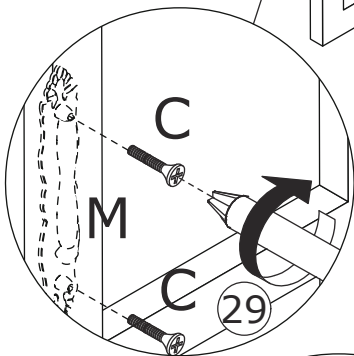
38

<p>C x 8</p>  <p>Ø4 x 22 mm</p>	<p>G x 16</p>  <p>Ø3 x 15 mm</p>	<p>M x 4</p> 	<p>H x 2</p>  <p>Ø3 x 12 mm</p>	
<p>K x 2</p>  <p>Ø25 x 10 x 1 mm</p>	<p>Q x 1</p>  <p>Ø701.5 x 30 mm</p>	<p>R x 2</p> 	<p>Place clothing rod(Q) as shown.</p>	

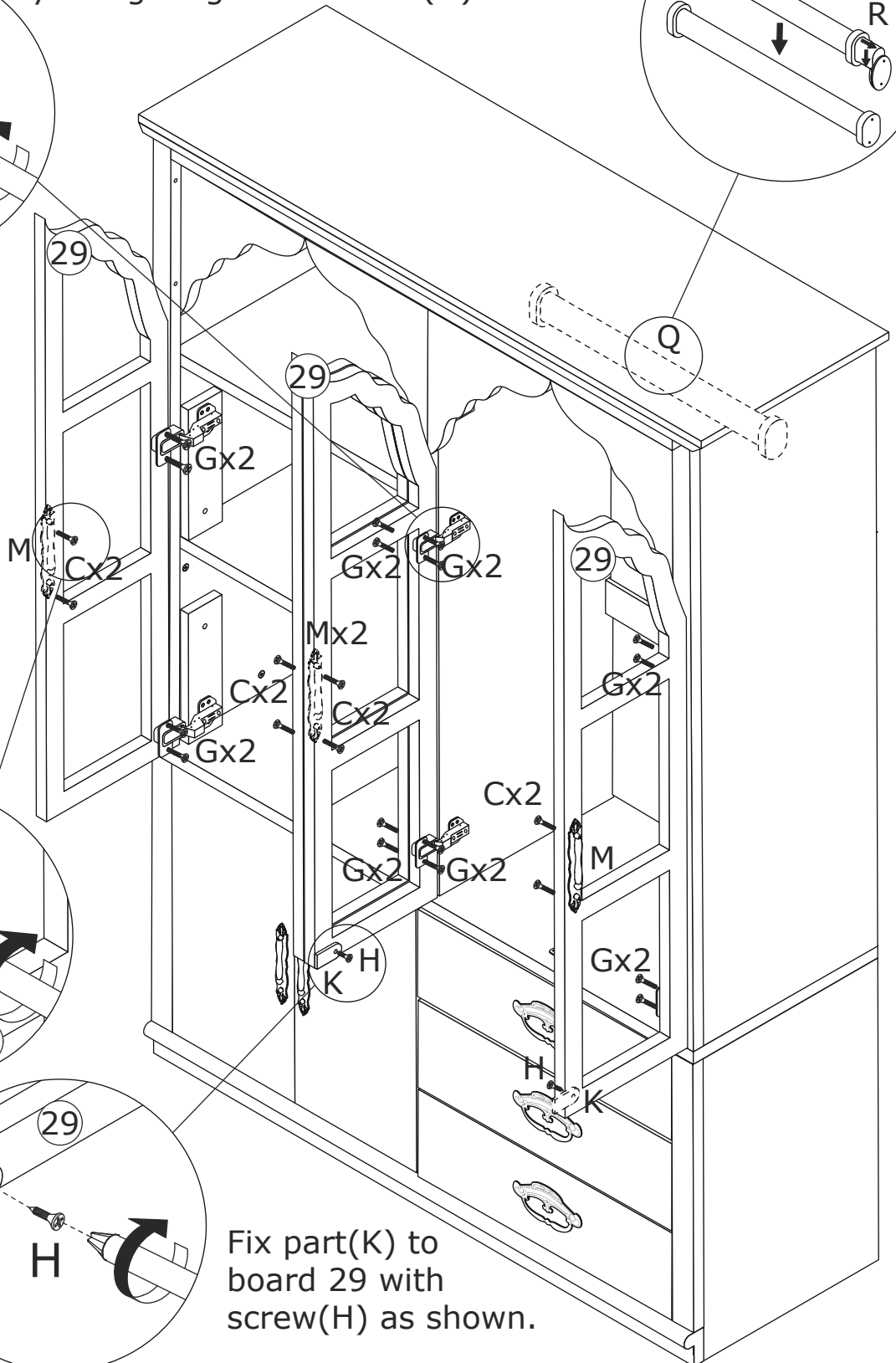
Assemble door panel 29 to side boards by fixing hinge with screw(G) as shown.



Fix handle(M) with screw(C) as shown.



Fix part(K) to board 29 with screw(H) as shown.



39

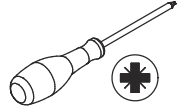
E x 16



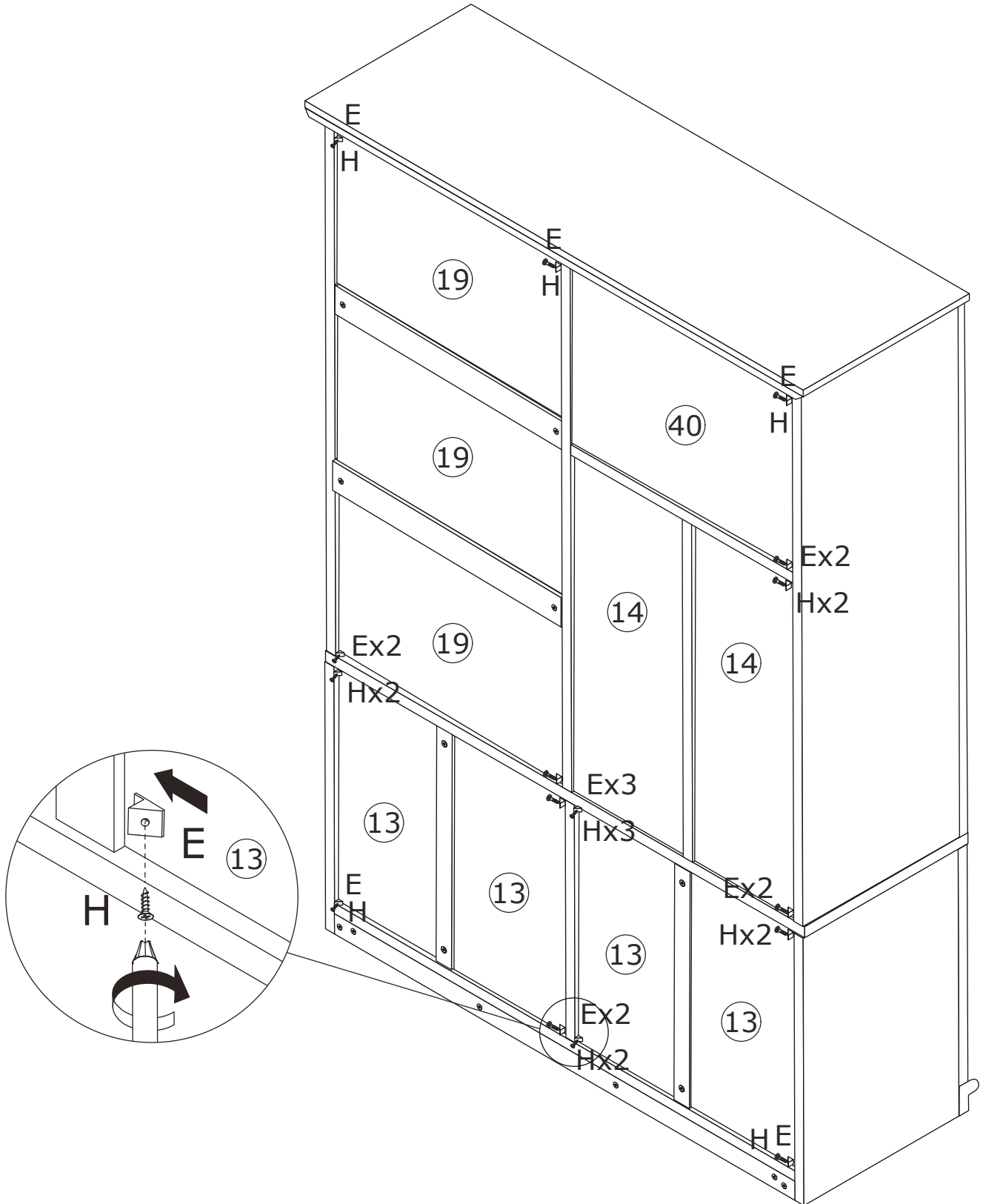
H x 16



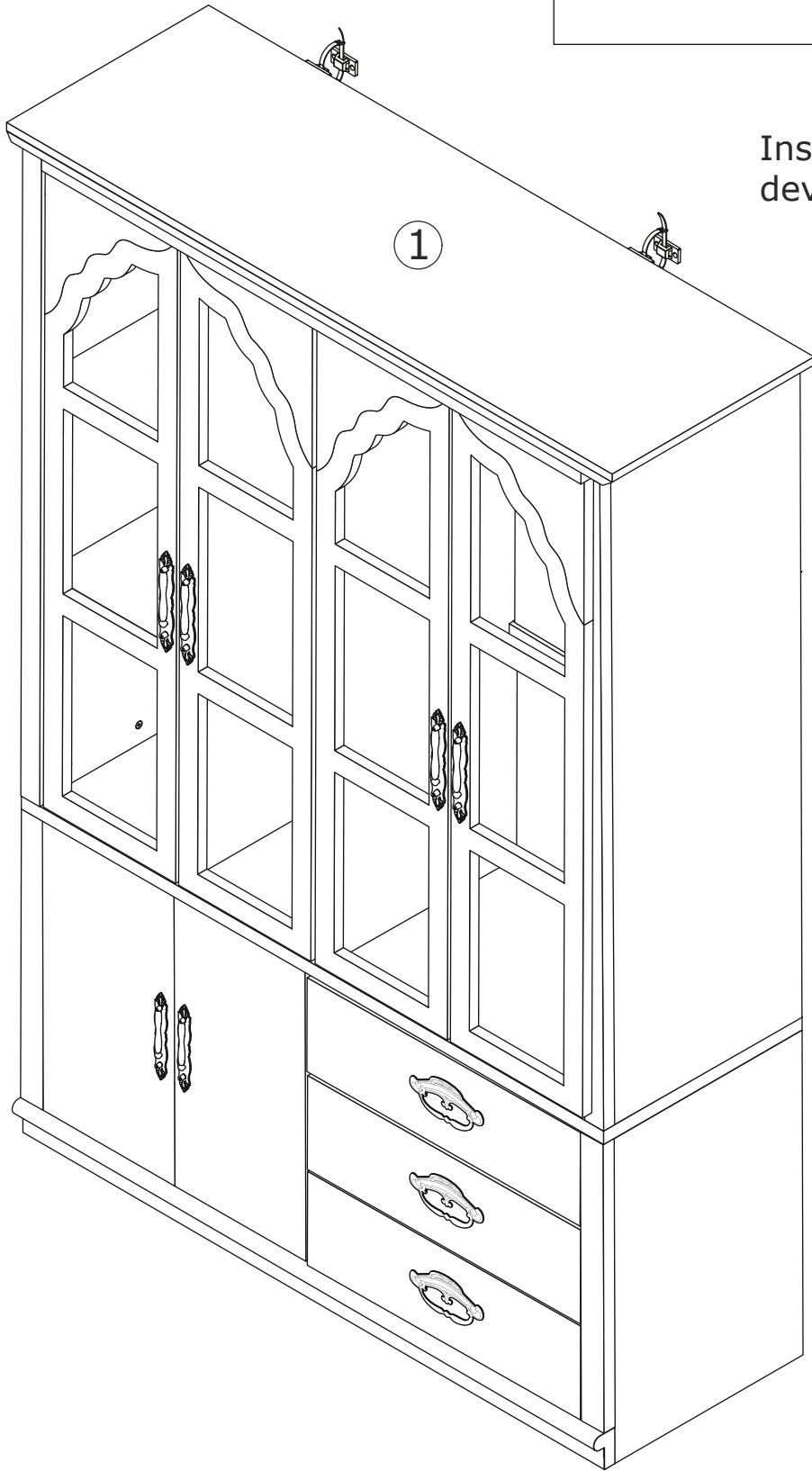
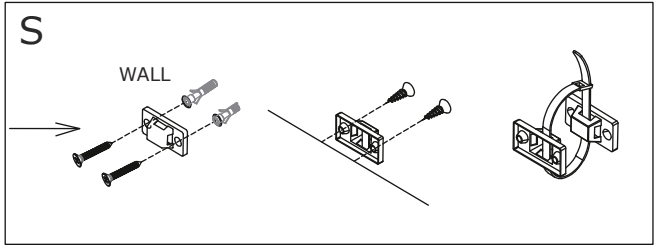
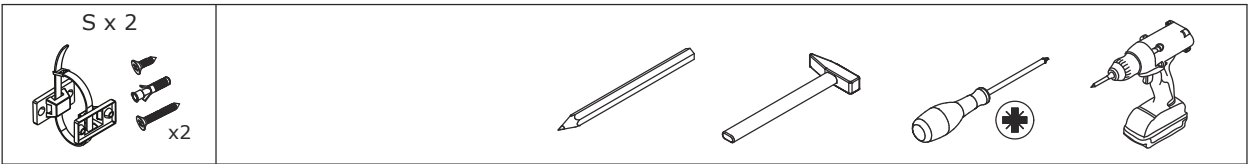
Ø3 x 12 mm



Insert buckle(E) into back slots and fix with screw(H) as shown.



40



Install anti-tipping device as shown.



# WARRANTY

## WARRANTY CLAIMS

- There is a 30-day warranty for broken furniture or any other problems that do not work properly. The warranty will start from the date of purchase which must be verified by proof of purchase.
- Before making a claim, we may be able to answer your query, simply call us. Please leave your purchase order number, along with some details of the problem, if you want a replacement part. We will arrange within 48 hours. If there is out of stock, we will reply with a shipping date.
- The product must be used in accordance with the instructions provided. For health reasons.
- For other reasons, if the furniture needs to be returned, it must be cleaned and dried and operated within 30 days of receipt.

## Type of Warranty Claim

- Failure to follow the furniture instructions will invalidate the warranty. Attention please.
- Does not include damage during installation, but includes damage during transportation.

## Scope of responsibility

- Shall not bear any responsibility for misuse or user damage and / or loss of parts during the installation of furniture.
- After using, the damage and scratches of the furniture are not covered by the warranty.

## The Warranty Relates to All Bought in The Us and Covers The Following Areas

- Sheet parts: 1 month from the date of purchase.
- Electrical parts: 1 month from the date of purchase.

# RETURNS

## CHANGED YOUR MIND AND NEED TO RETURN YOU ITEM?

### PLEASE FOLLOW THE BELOW INSTRUCTIONS:

- If you have purchased and have simply changed your mind, follow the retailer's instructions for returns.

### DEFECTIVE ITEMS

- If your item is defective in any way, i.e. it doesn't work but you can't identify why, in the first instance, please call us.

### DAMAGED ITEMS

- If you receive an order with obvious shipping damage from the retailer, then we suggest the delivery is refused. If the delivery has been accepted and then shipping damage is found, please follow the specific instructions advised by the retailer.  
In all circumstances please save all packaging material and paperwork for the order. Please be aware that if you dispose of packaging material or attempt to return the merchandise without contacting the fulfiller, you jeopardise your chances of making a claim, and you may not receive a credit for the return.

### AFTER-SALES CONTACT



[feedbackstation@163.com](mailto:feedbackstation@163.com)



(303)800-6387