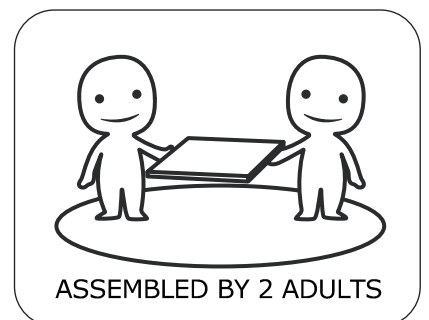
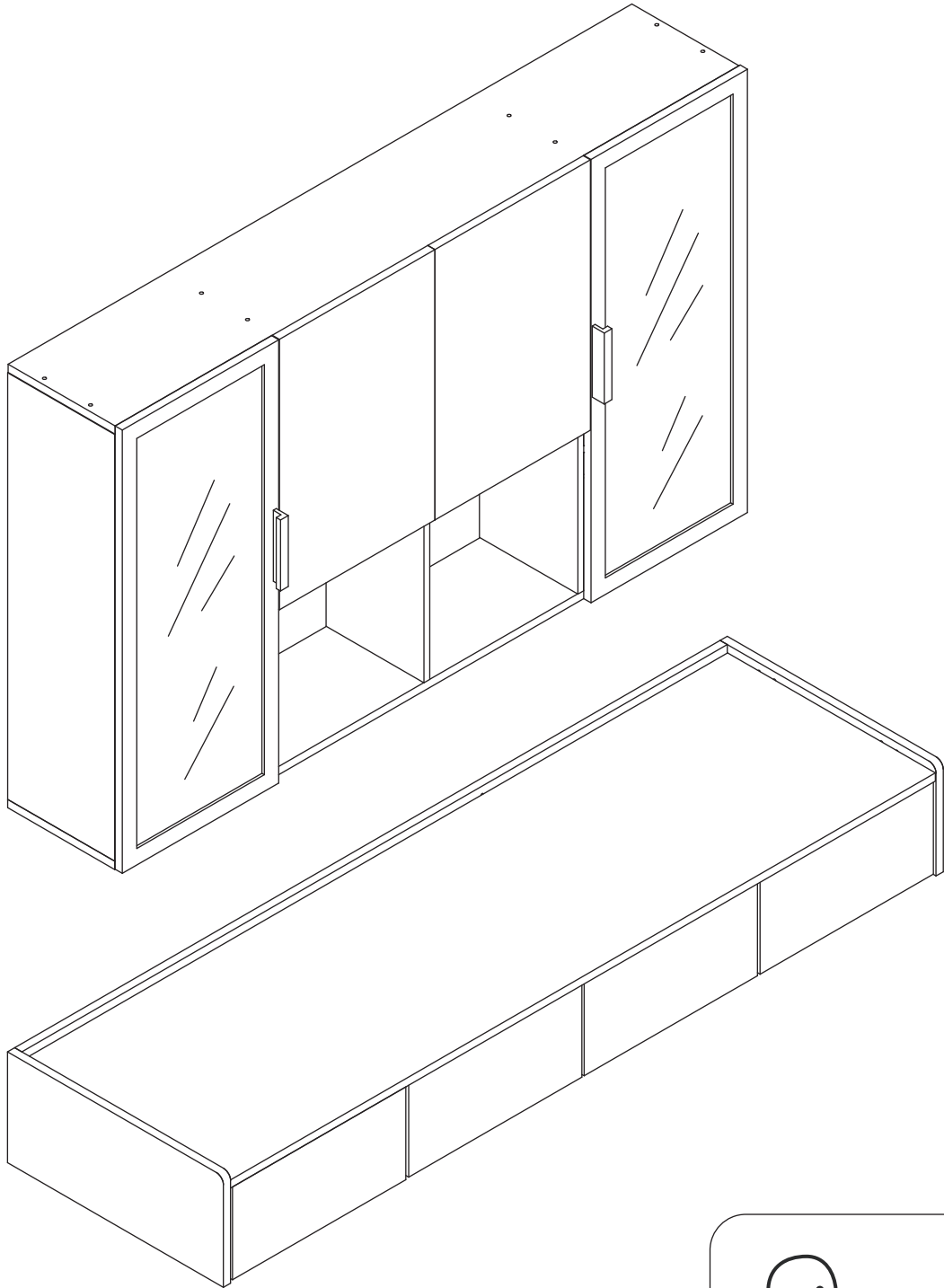
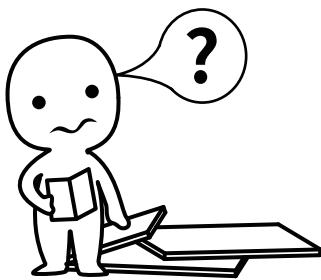


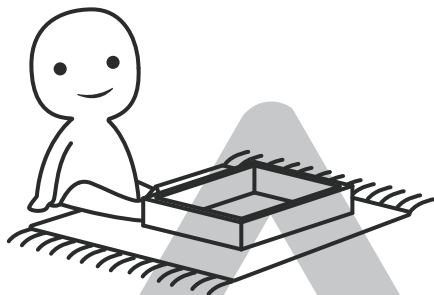
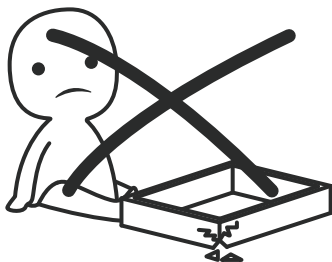
Floating Desk





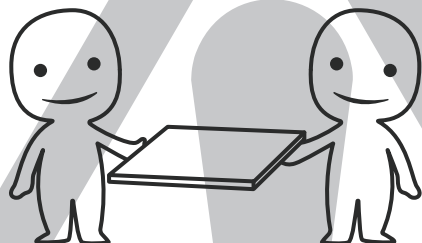
IMPORTANT INFORMATION!

please read the entire manual before starting to assemble and/or using this product. follow the manual thoroughly and keep it for further reference.



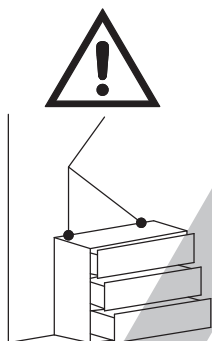
AVOID SCRATCHES!

In order to avoid scratching this furniture should be assembled on a soft layer- could be a rug.



IMPROVE EFFICIENCY !

Try to find a partner to install with you, which can speed up the installation efficiency and shorten the time.



ANTI-TOPPLE WARNING !

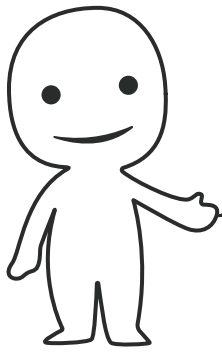
Overturnd furniture can cause serious or fatal crush injuries. To prevent tipping over, be sure to use the wall attachment, if not included with this product. Please purchase the wall attachment that fit your wall. If unsure, seek professional advice. Please read and follow each step of the instructions carefully.

IMPORTANT !

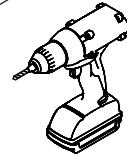
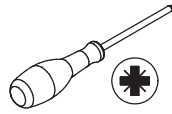
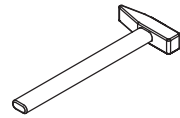
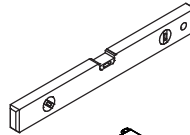
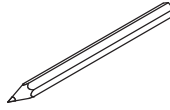
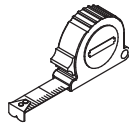
It is important that any product which is assembled using any kind of screw is re-tightened 2 weeks after assembly, and once every 3 months - in order to assure stability through-out the lifespan of the product.

For regular maintenance and cleaning of the product, for the frame, please use a rag dipped in neutral detergent to fully wipe it, and then dry it with a clean rag. For glass materials, wipe with a rag dampened with water glass cleaner, and then dry with a dry rag.

Do not use an electric screwdriver, and do not use too much force when installing, because the board is easy to break.

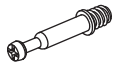


Please prepare the following tools




When installing, please carefully confirm whether each screw corresponds to the manual, accessories with similar shapes can be distinguished by size

A x 70



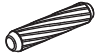
∅6 x 35 mm

B x 70




∅15 x 10 mm

C x 20




∅6 x 30 mm

D x 32



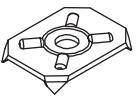
∅3.5 x 12 mm

E x 78




∅3.5 x 14 mm

F x 6

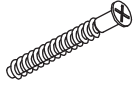


G x 8



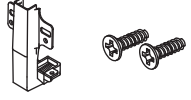
∅4 x 27 mm

H x 35




∅5 x 40 mm

I x 4

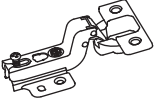


I-1 I-2


J x 2



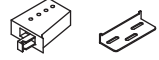
K x 4



L x 6

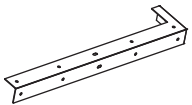


M x 4

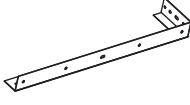


M-1 M-2

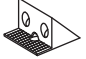
N x 1



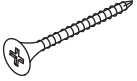
O x 1



P x 12

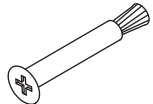


Q x 18




∅5 x 60 mm

R x 4



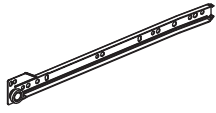
∅8 x 58 mm

S x 18



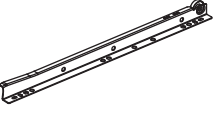
∅8 x 60 mm

CL x 4




300 mm

DL x 4




300 mm

DR x 4

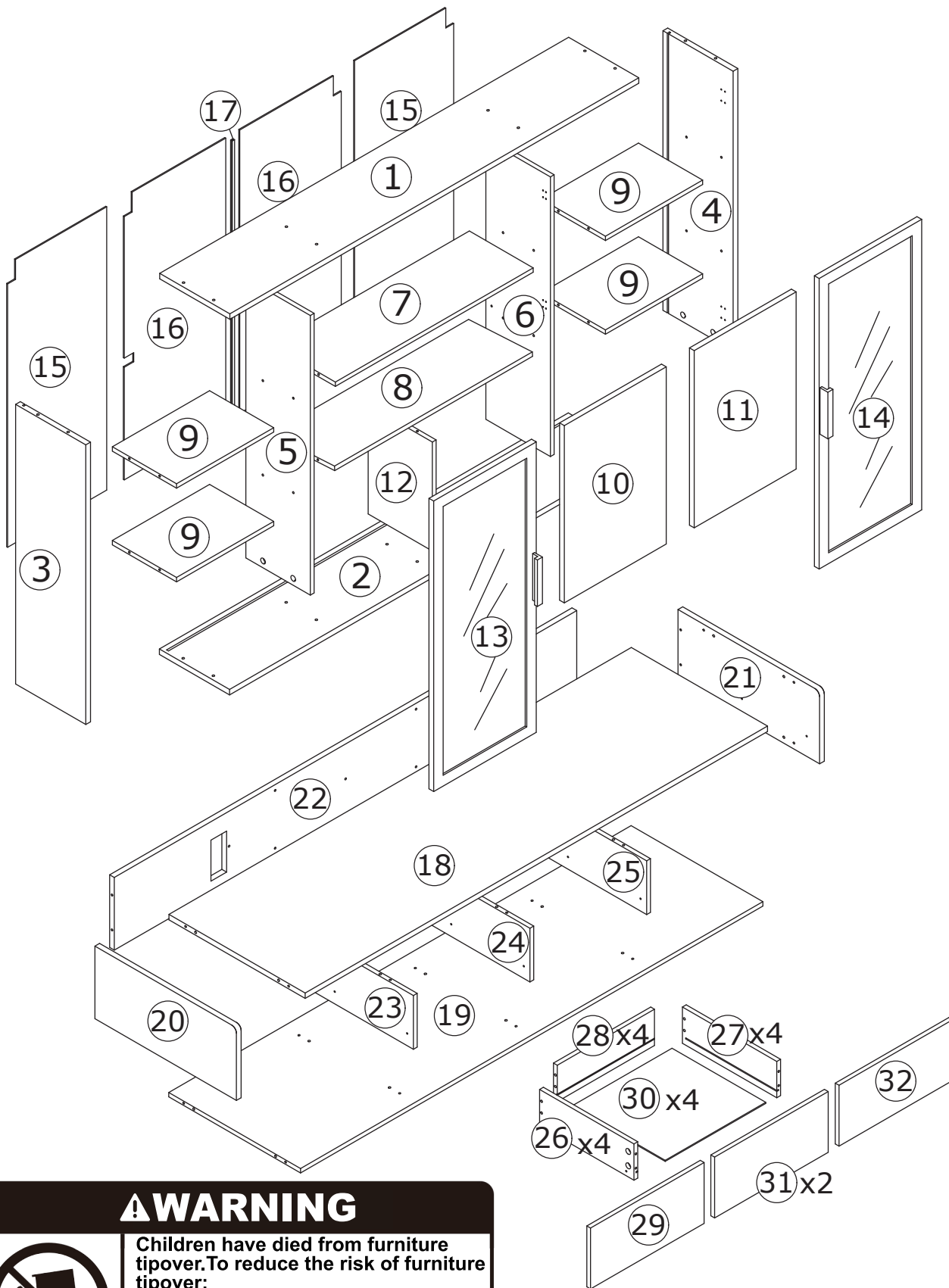


300 mm

CR x 4



300 mm



⚠ WARNING



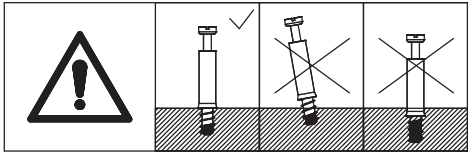
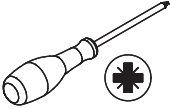
Children have died from furniture tipover. To reduce the risk of furniture tipover:

- ALWAYS install tipover restraint provided.
- NEVER put a TV on this product.
- NEVER allow children to stand, climb or hang on drawers, doors, or shelves.
- NEVER open more than one drawer at a time.
- Place heaviest items in the lowest drawers.

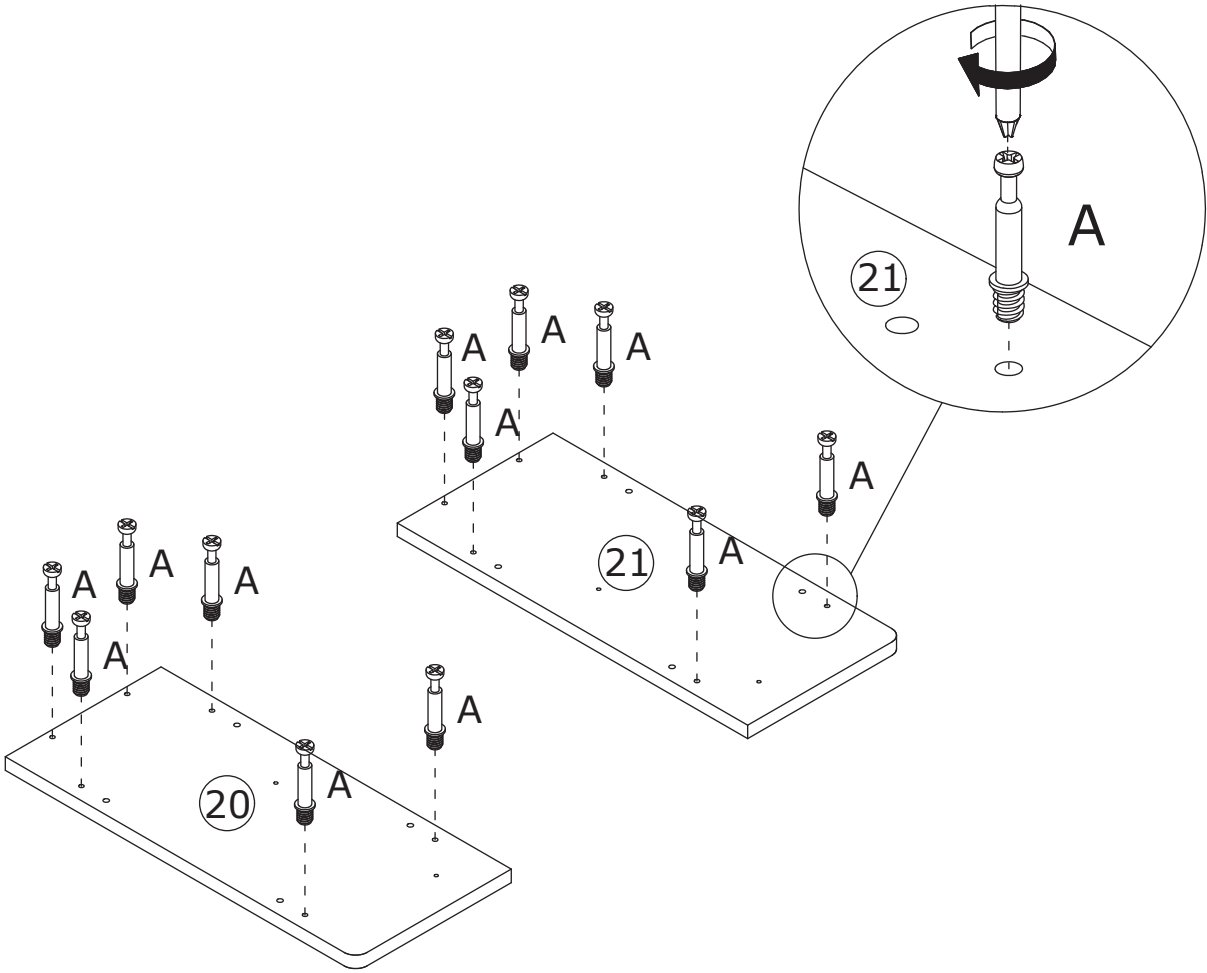
*This is a permanent label.
Do not remove!*

1




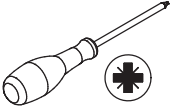
A x 12
Ø6 x 35 mm





Screw eccentric rod(A) into board 20 and 21 at first.

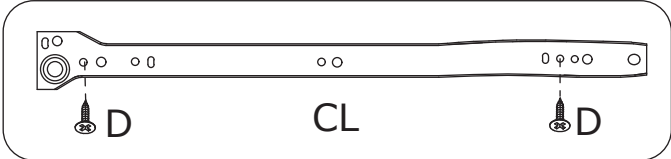
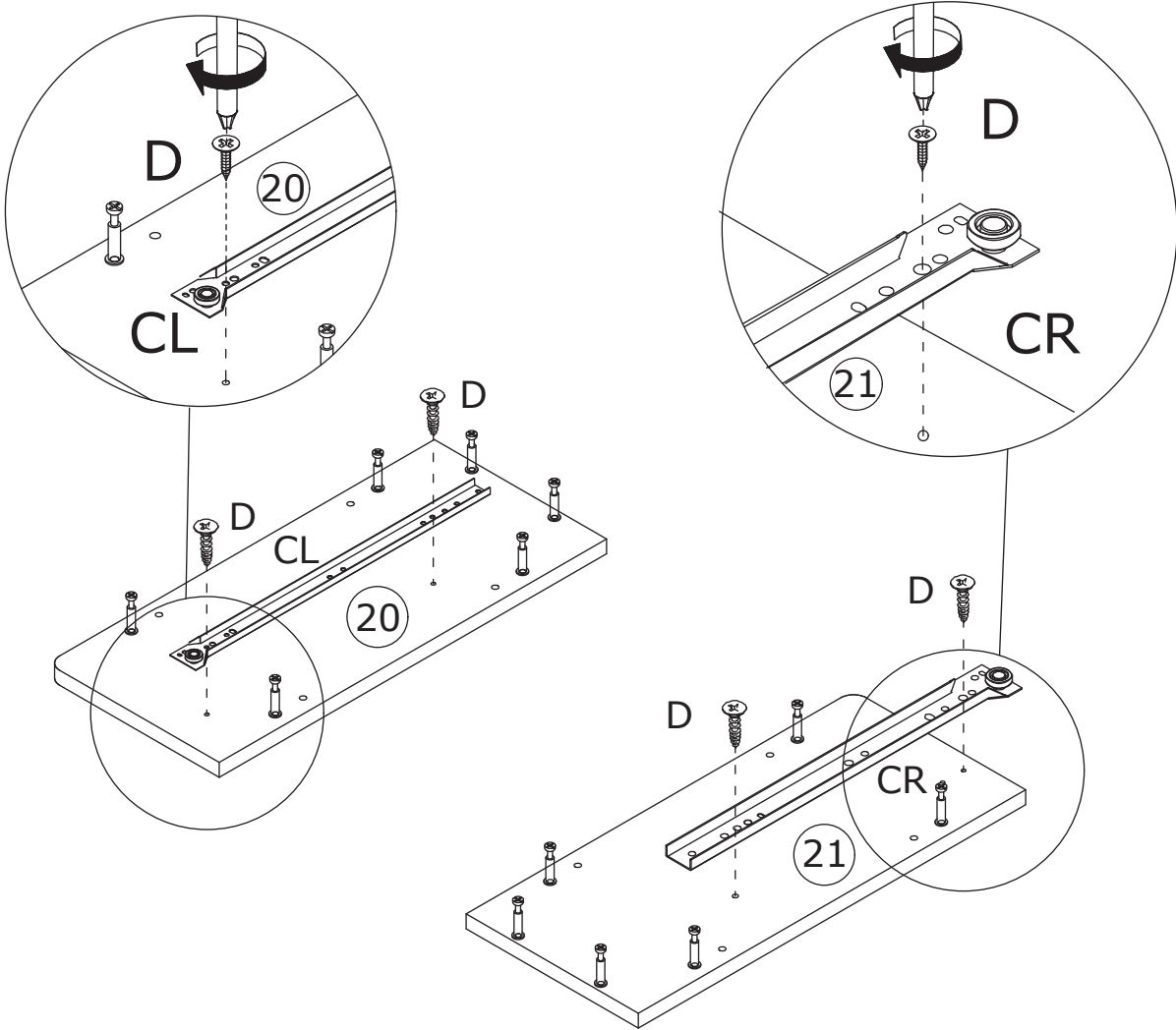


2




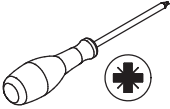
| | | | |
|---|---|---|---|
| D x 4  Ø 3.5 x 12 mm | CL x 1  300 mm | CR x 1  300 mm |  |
|---|---|---|---|





| | |
|--|--|
|  D Ø 3.5 x 12 mm |  E Ø 3.5 x 14 mm |
|--|--|

Fix rail(CL) and (CR) to board 20 and 21 respectively with screw(D) as shown.

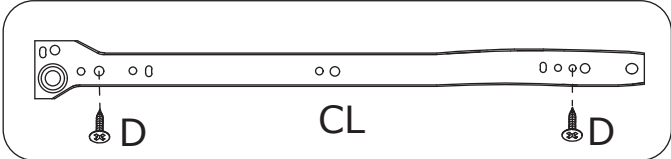
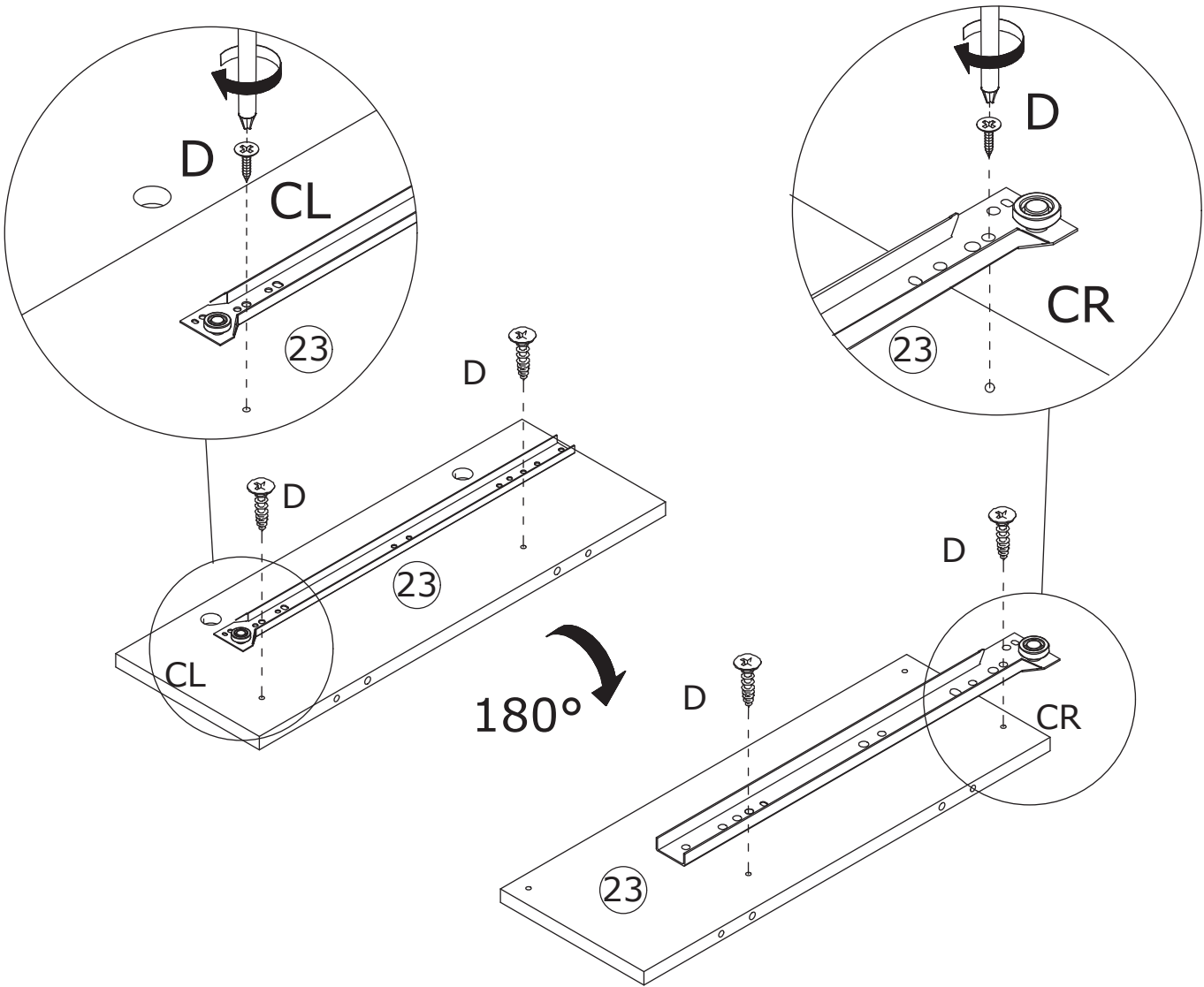


3

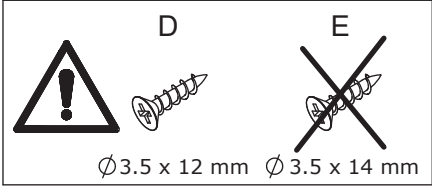
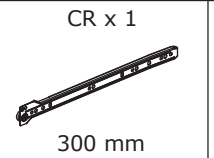
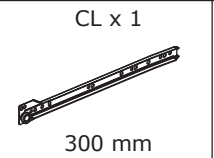
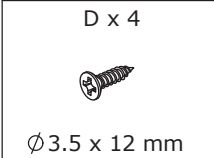
| | | | |
|--|---|---|---|
| D x 4  Ø3.5 x 12 mm | CL x 1  300 mm | CR x 1  300 mm |  |
|--|---|---|---|

| | |
|---|---|
|  D  Ø3.5 x 12 mm |  E  Ø3.5 x 14 mm |
|---|---|

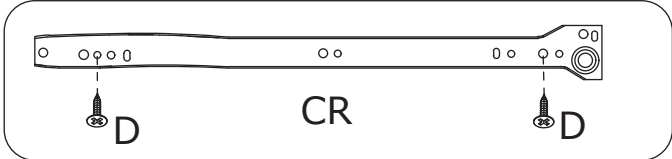
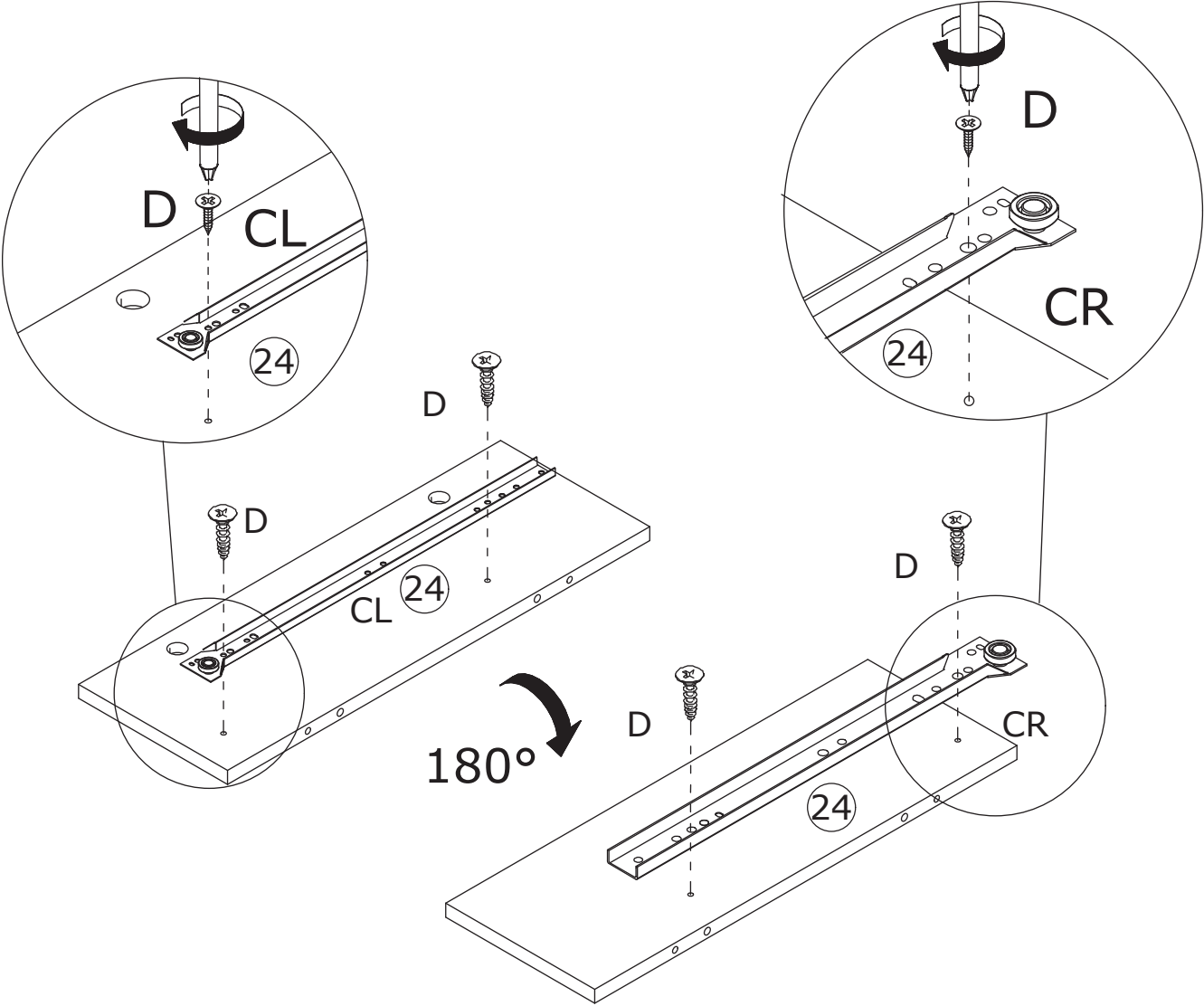
Fix rail(CL) to board 23 with screw(D) at first.
Flip to back, fix rail(CR) as shown.



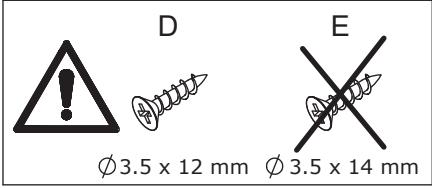
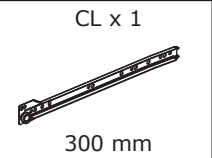
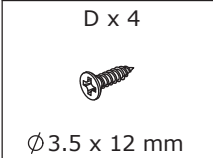
4



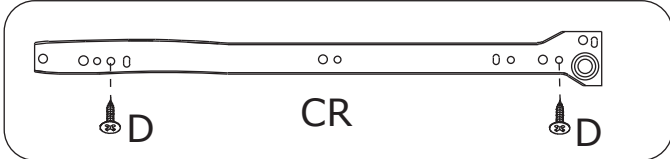
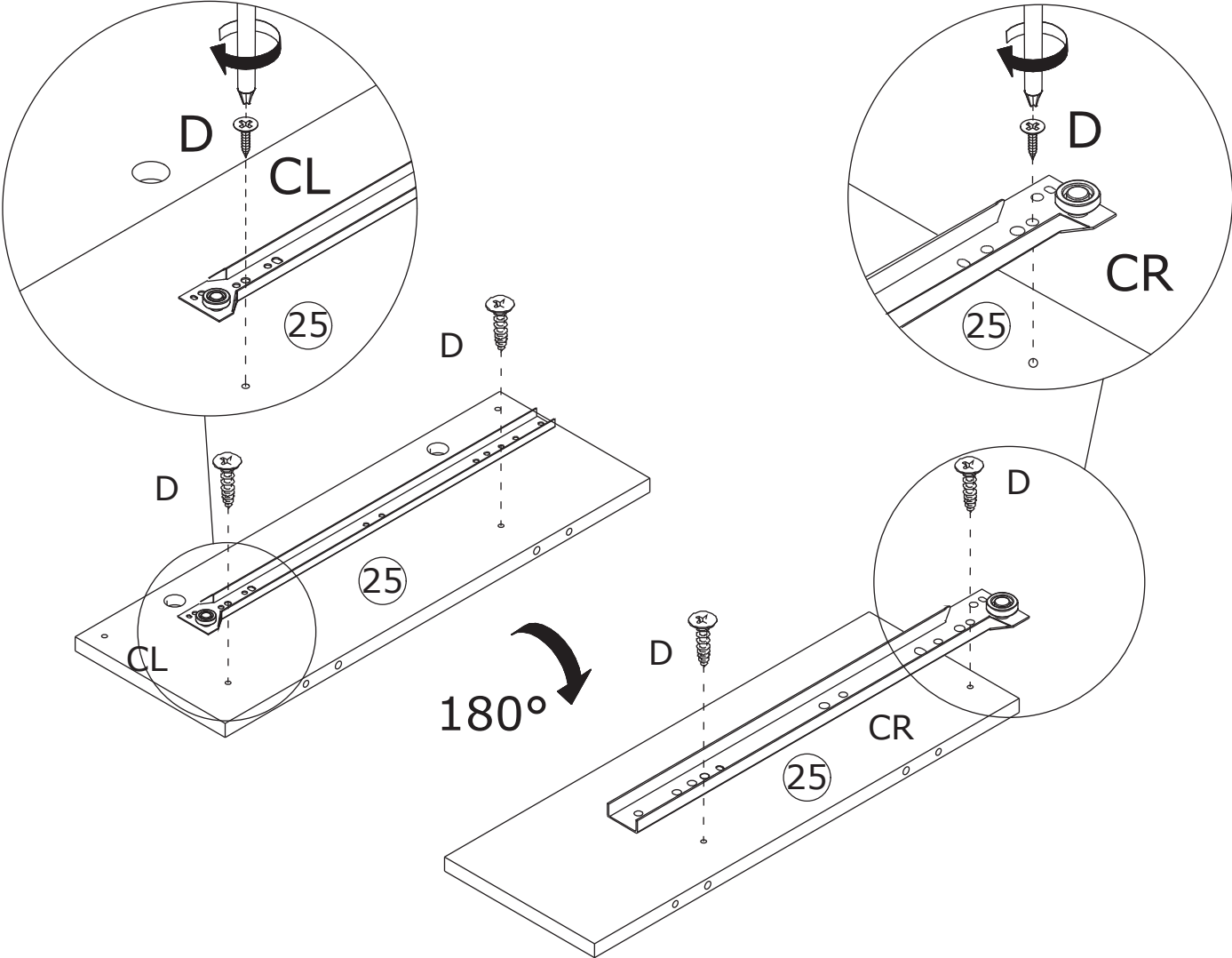
Fix rail(CL) to board 24 with screw(D) at first.
Flip to back, fix rail(CR) as shown.



5

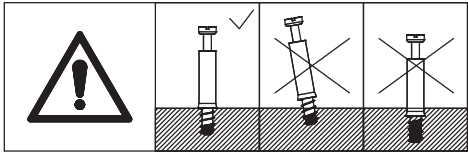
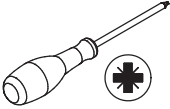


Fix rail(CL) to board 25 with screw(D) at first.
Flip to back, fix rail(CR) as shown.

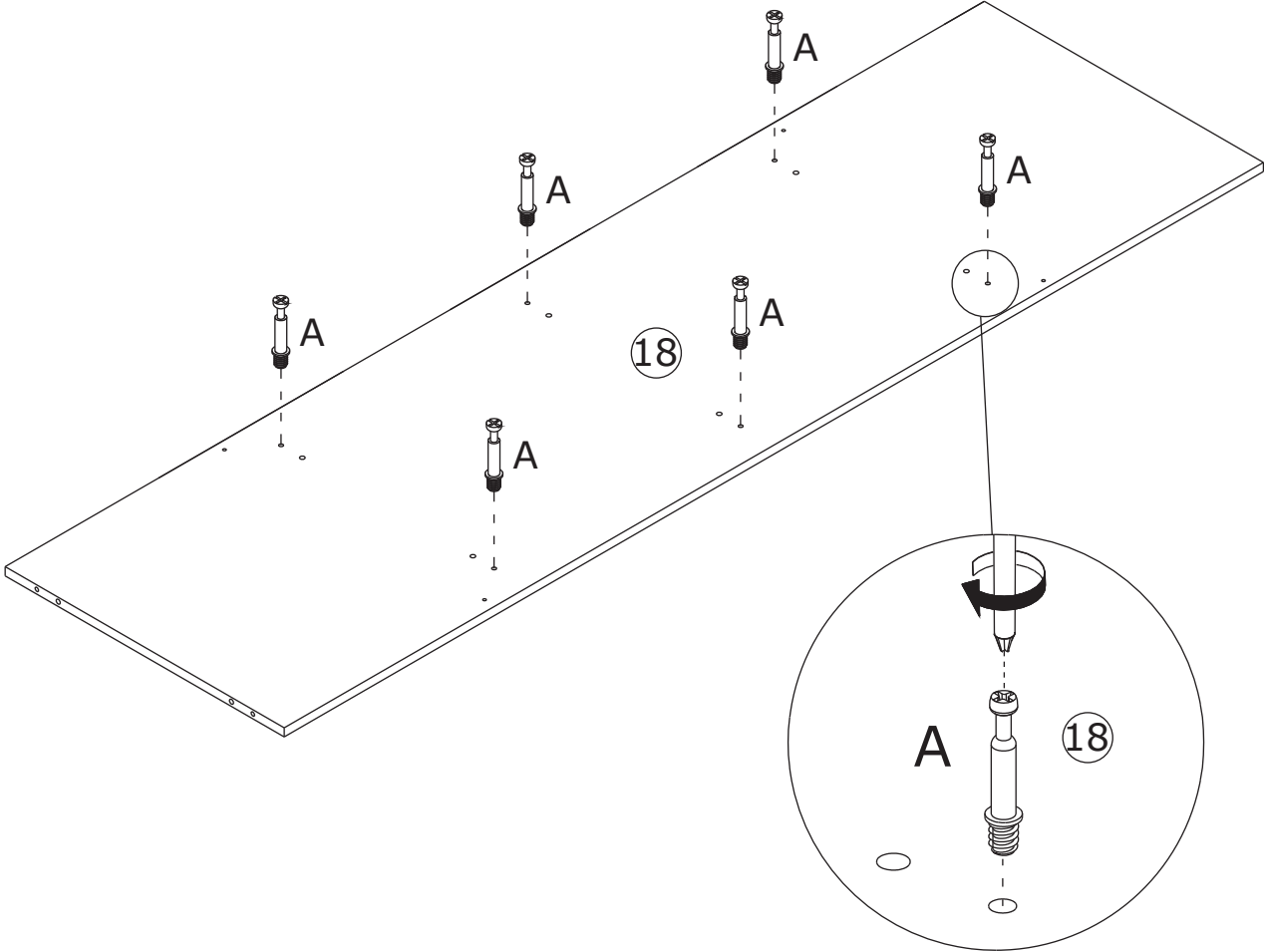


6

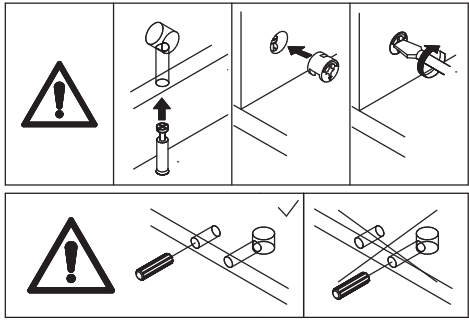
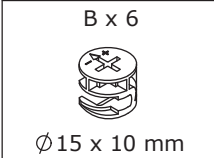
A x 6
Ø6 x 35 mm



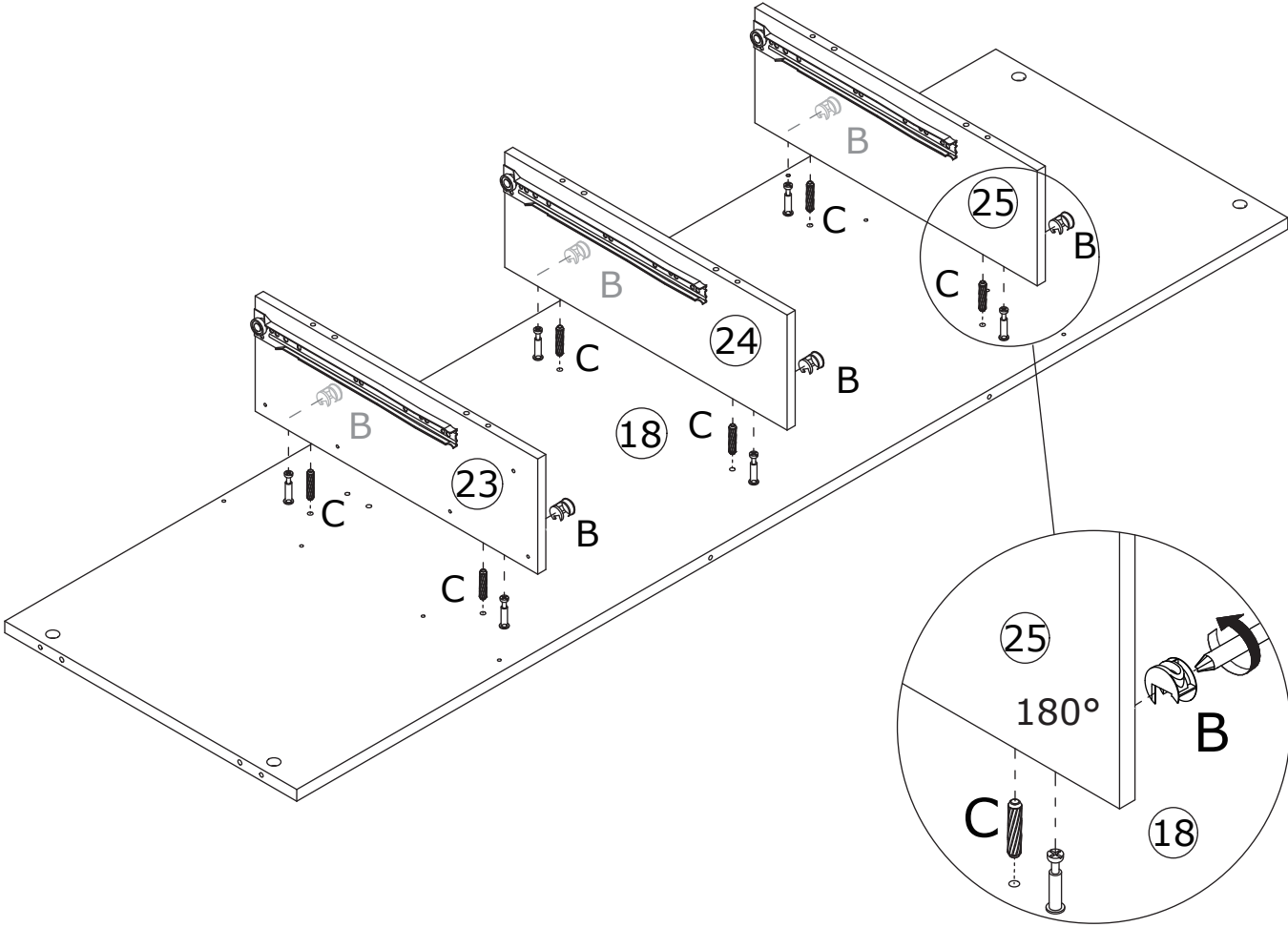
Screw eccentric rod(A) into board 18 at first.



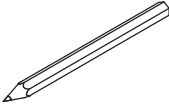
7



Attach board 23, 24 and 25 to board 18 using wooden dowel(C), add cam lock(B) into board 23,24,25 and turn clockwise to tighten as shown.

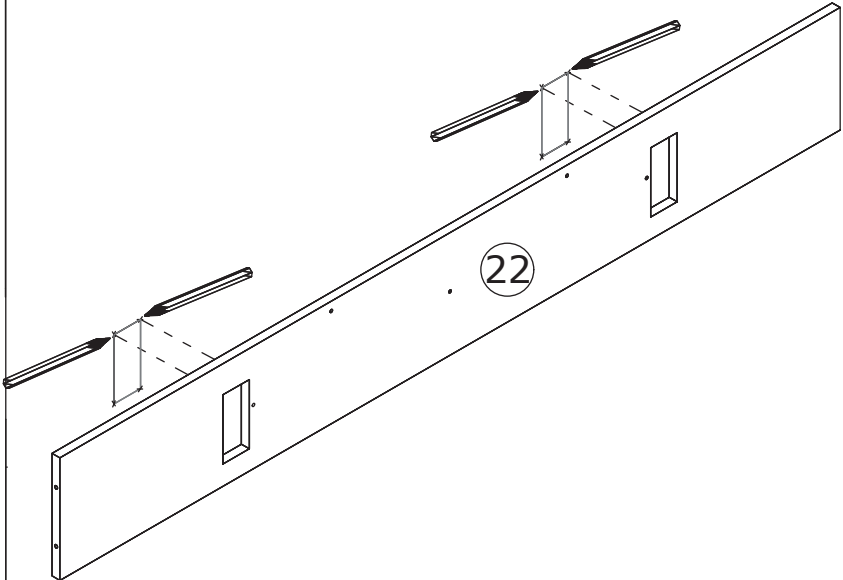
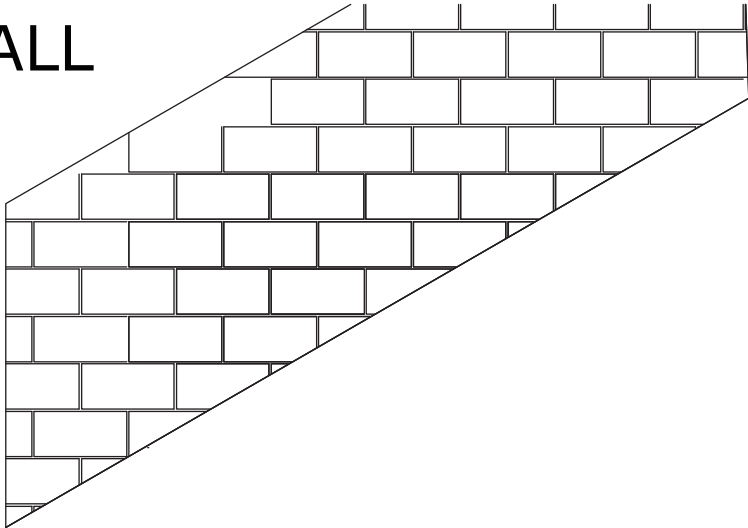
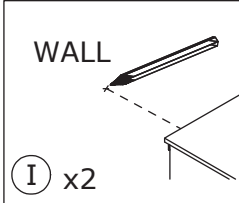


8

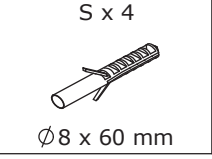
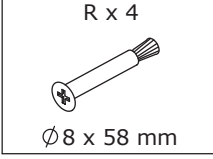
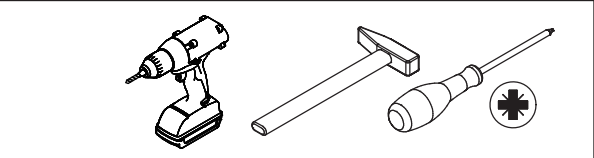
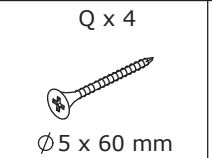
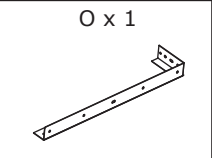
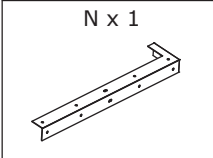


Find a proper position and mark on the wall with a pencil.

WALL

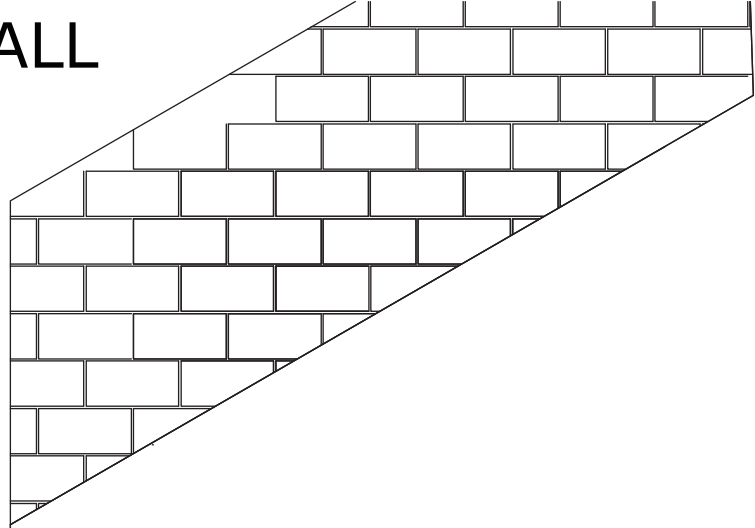
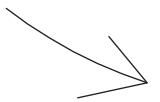


9



Punch holes in the marked area at first, and knock expansion screw(S) into. Fix the iron part with bolt(R) and screw(Q) as shown.

WALL



WALL

I x 2

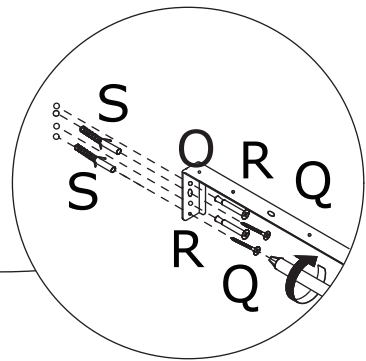
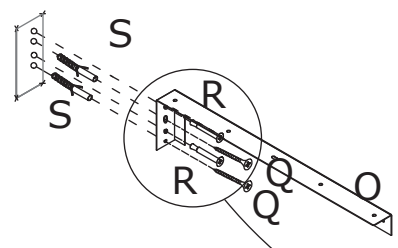
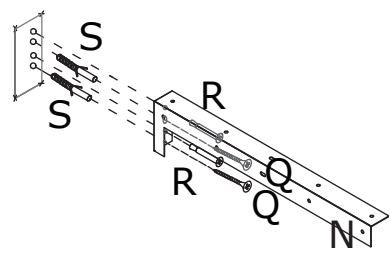
WALL + drilling hole Ø8x65mm

II x 2

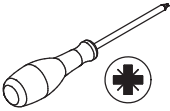
WALL

S

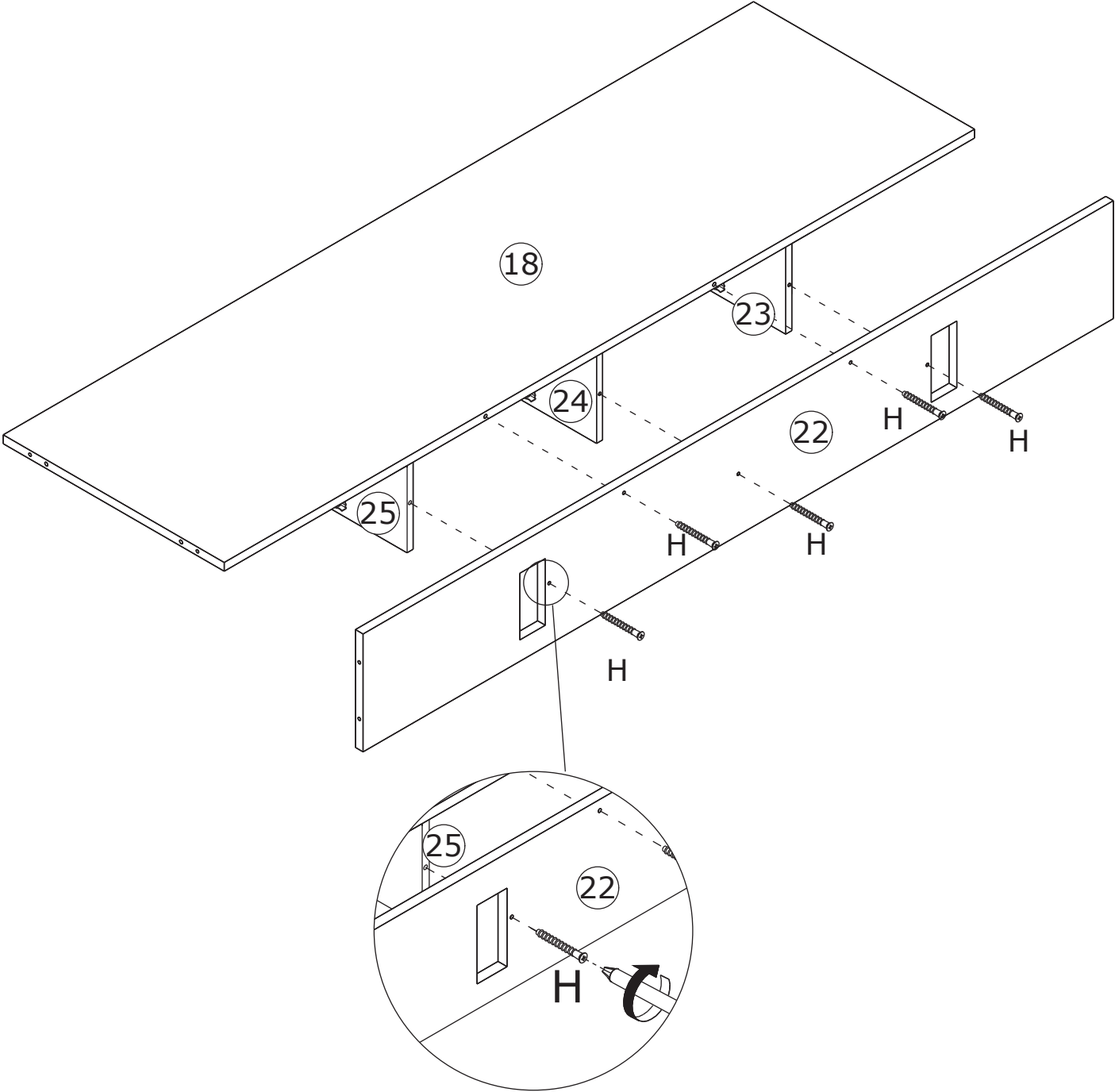
III x 2



10



Fix board 22 to board 23, 24 and 25 with screw(H) as shown.

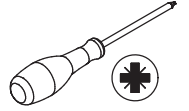


11

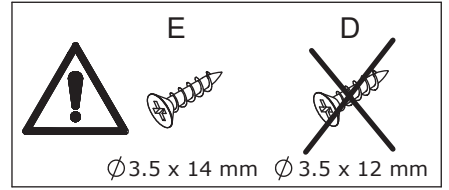
E x 16



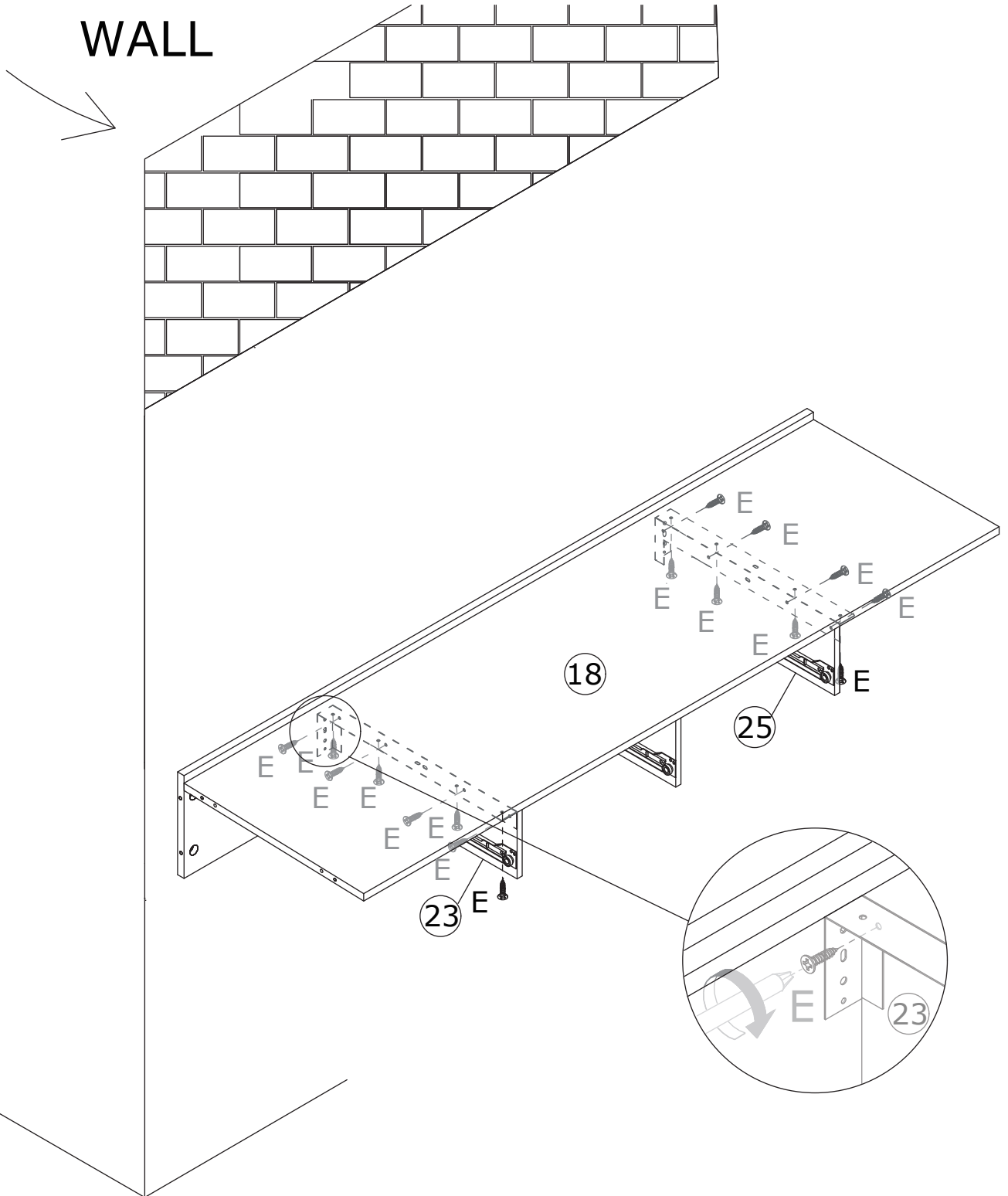
Ø3.5 x 14 mm



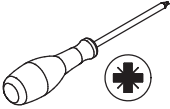
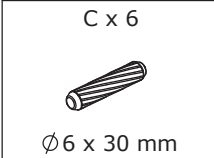
Pass the iron piece through the component and fix to board 18, 23 and 25 with screw(E) as shown.




WALL

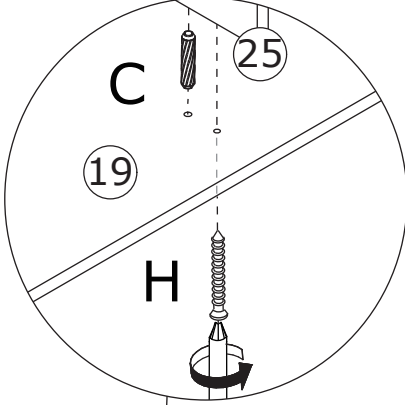
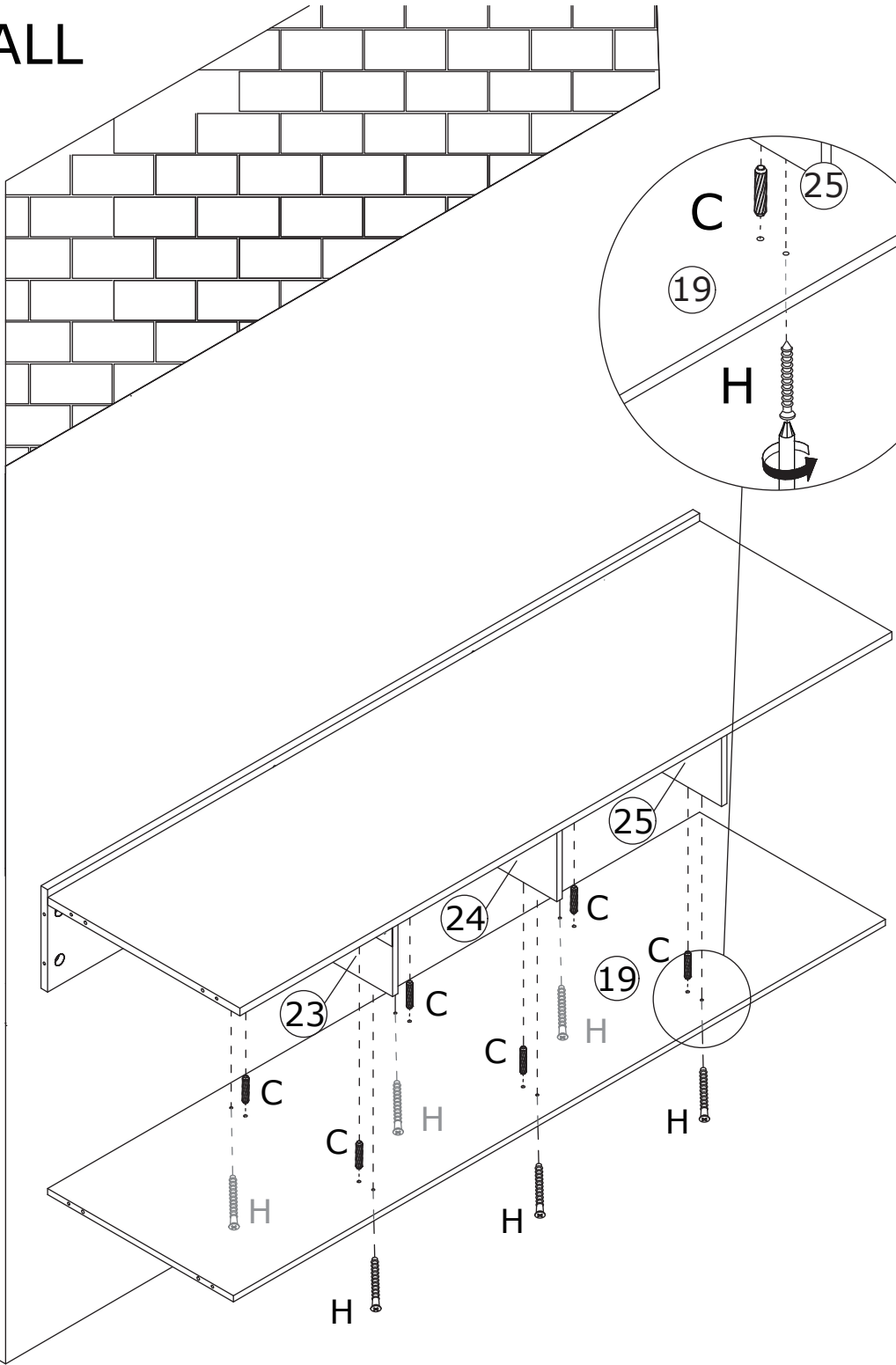


12



Attach board 19 to board 23, 24 and 25 using wooden dowel(C), and fix with screw(H) as shown.

WALL




13

B x 12

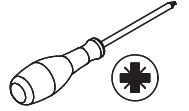


Ø15 x 10 mm

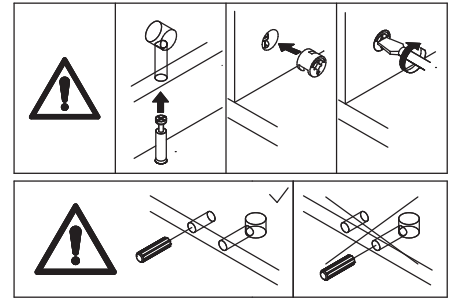
C x 8



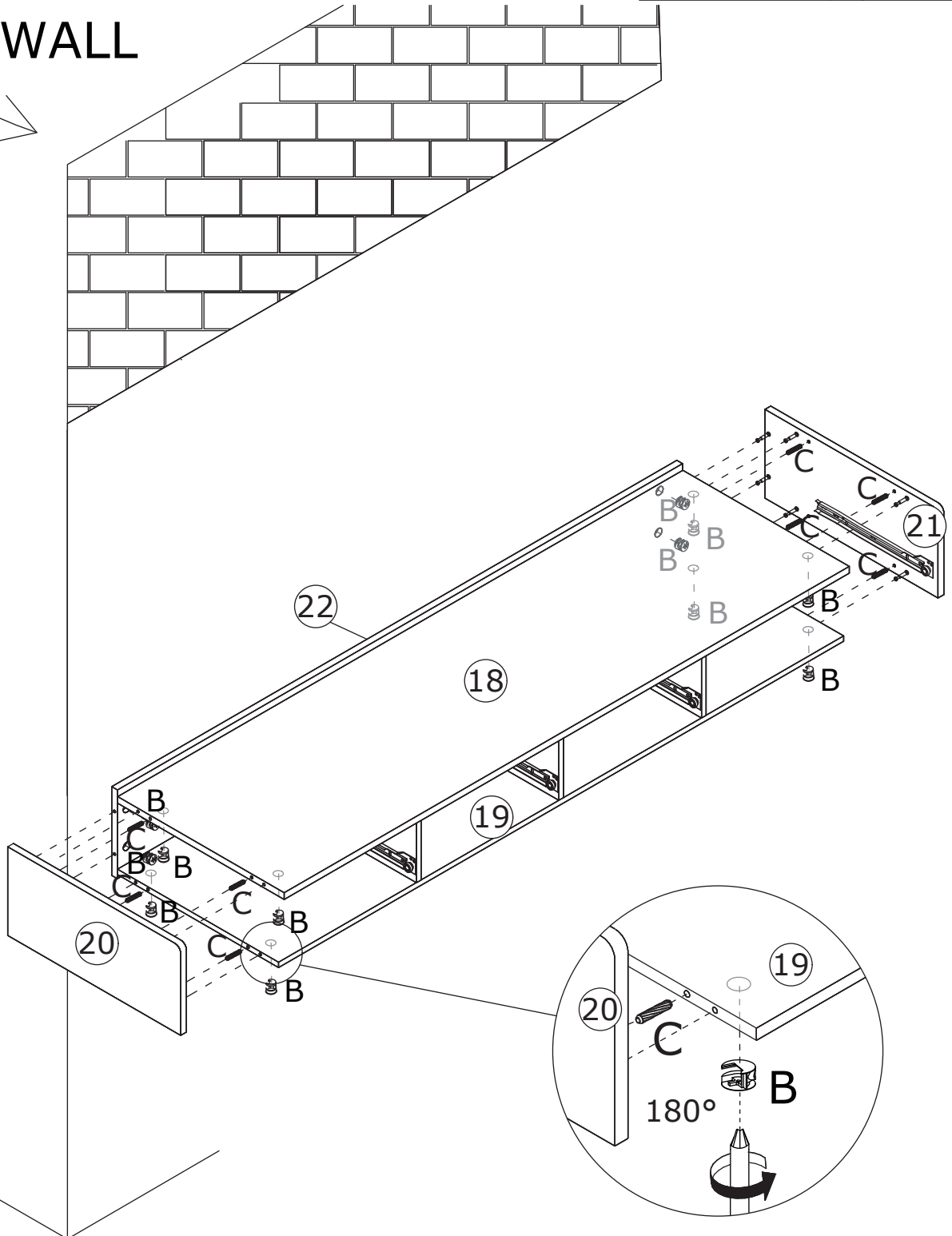
Ø6 x 30 mm



Attach board 20 and 21 to board 18, 22 and 19 using wooden dowel(C), add cam lock(B) into board 18,22,19 and turn clockwise to tighten as shown.

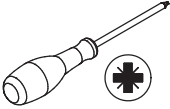


WALL

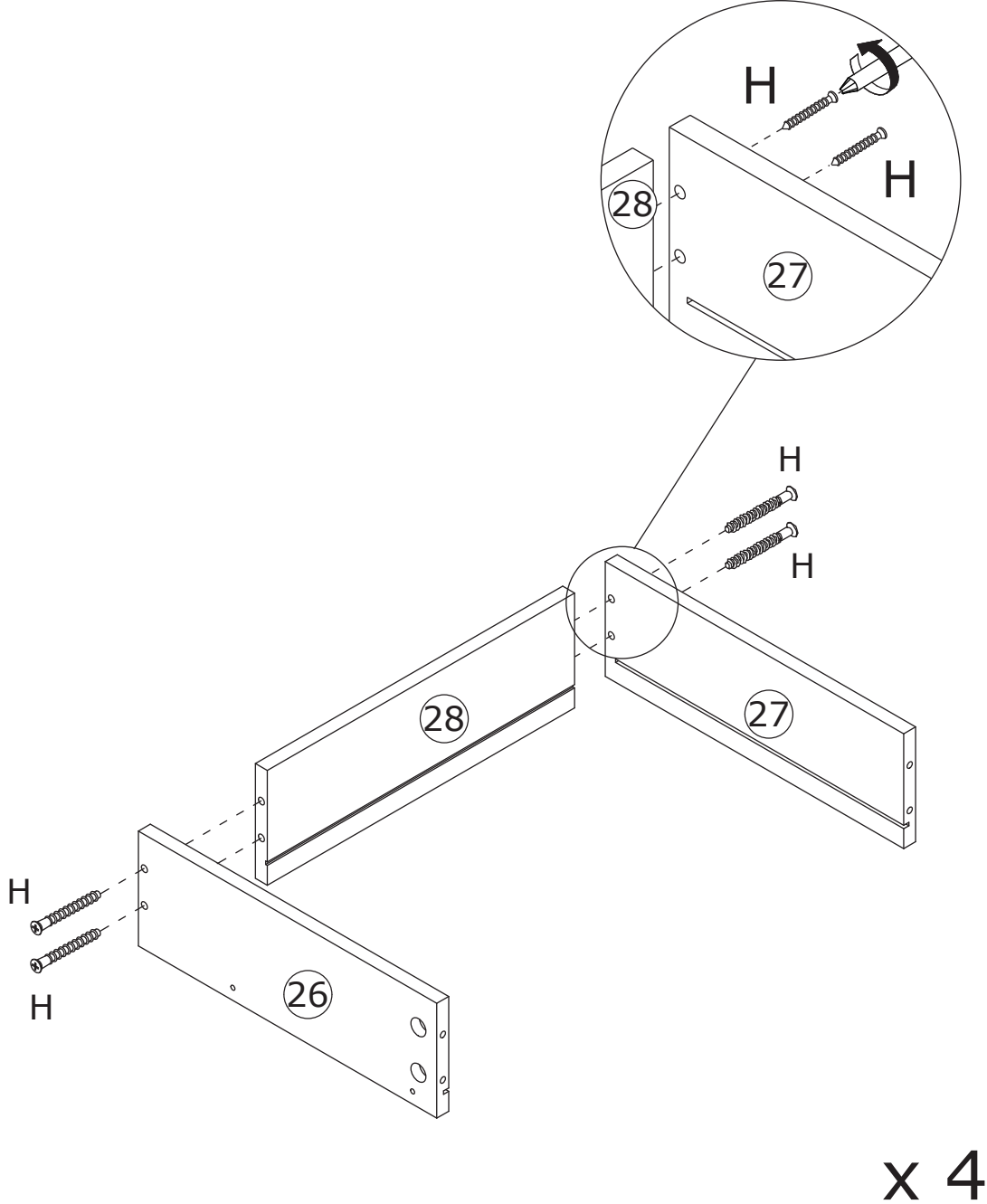


14

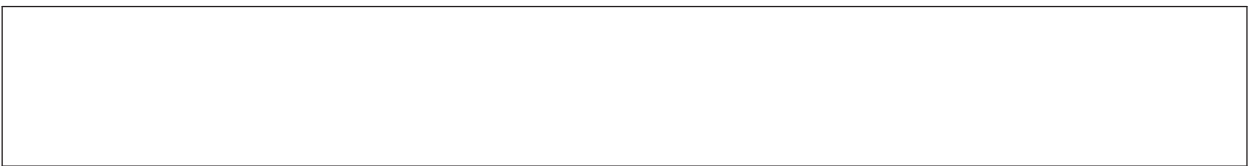
H x 16
Ø 5 x 40 mm



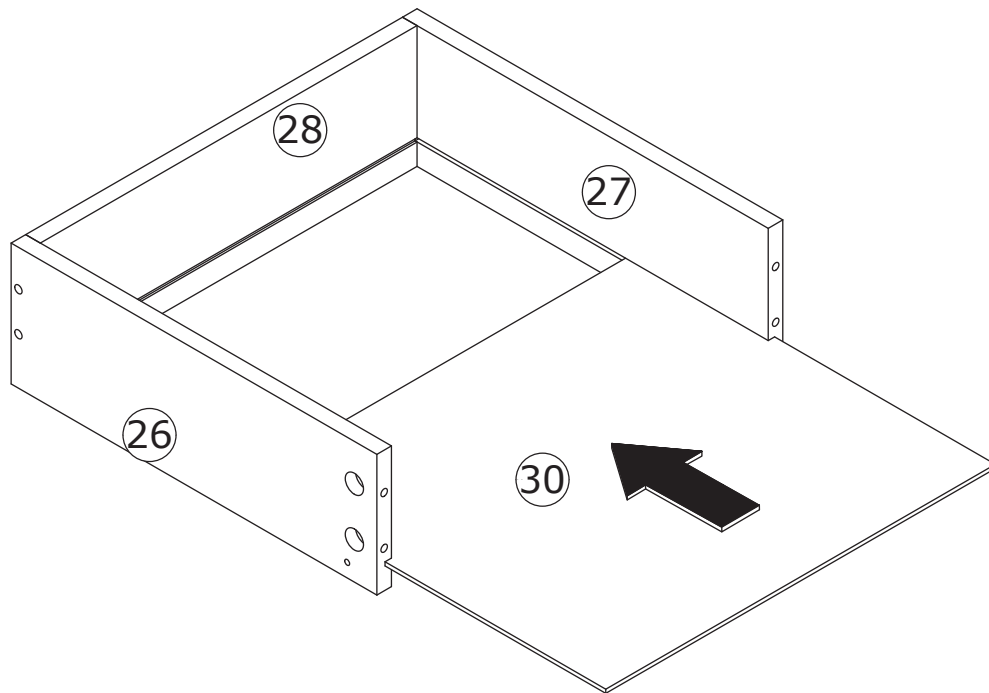
Fix board 28 to board 26 and 27 with screw(H) as shown.



15

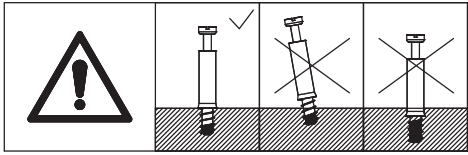
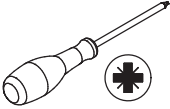
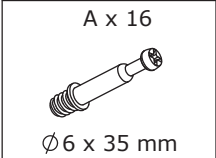


Insert board 30 along available grooves as shown.

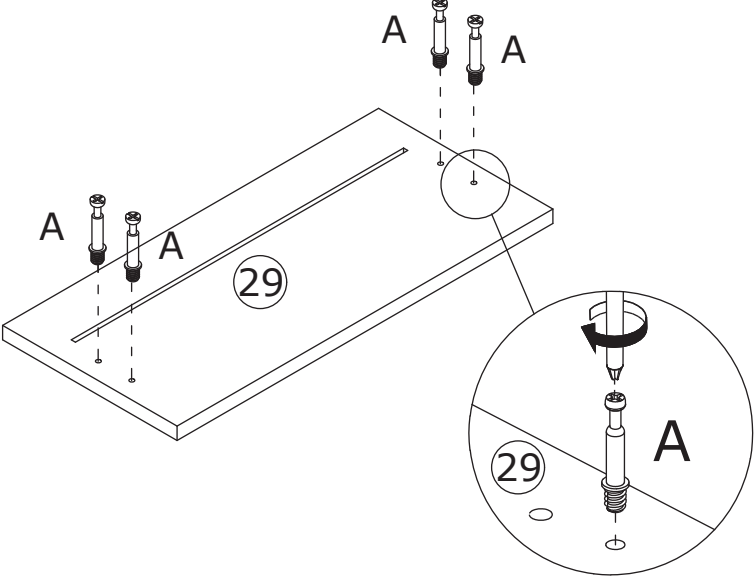
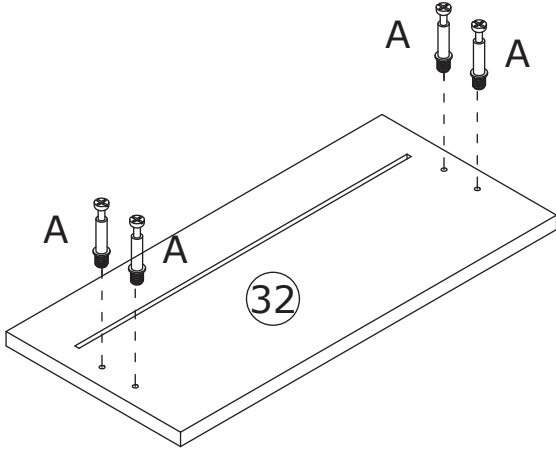
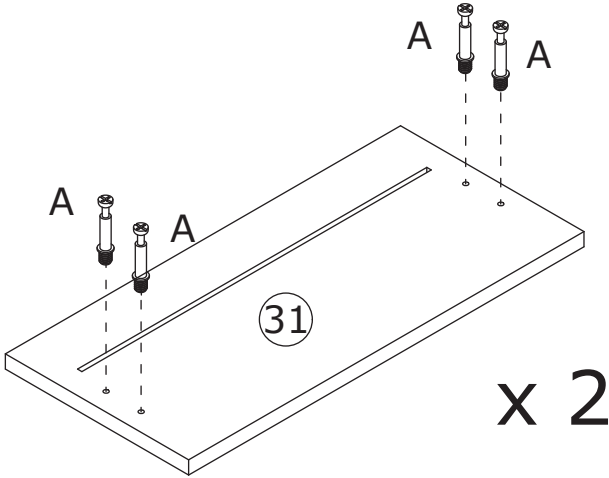


x 4

16

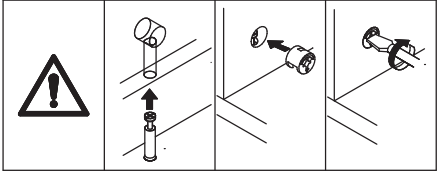
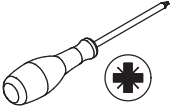


Screw eccentric rod(A) into board 29, 31 and 32 at first.

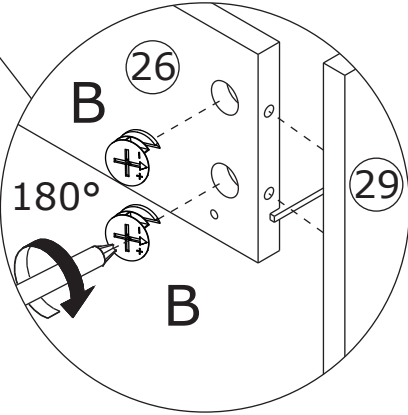
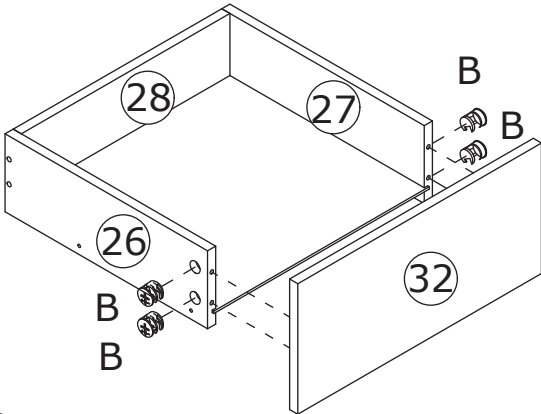
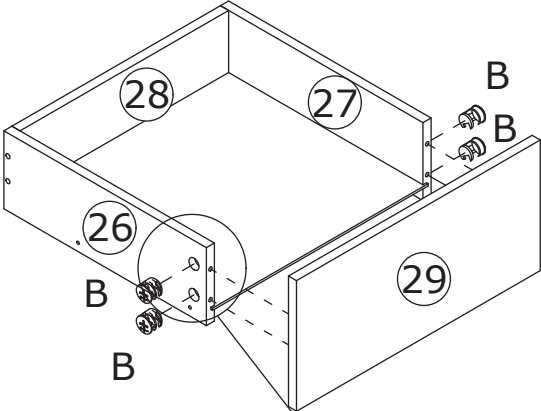
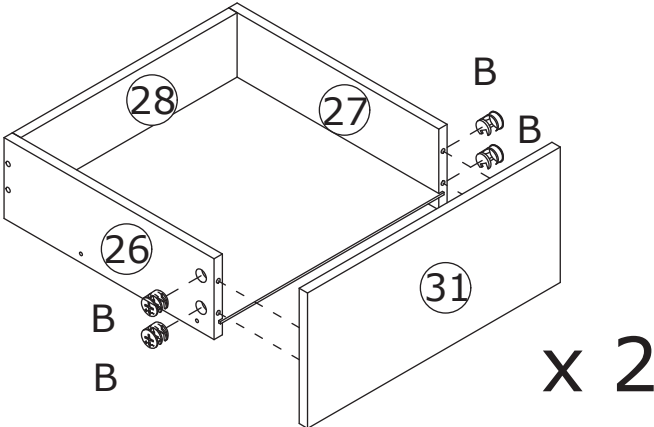


17


B x 16
Ø 15 x 10 mm

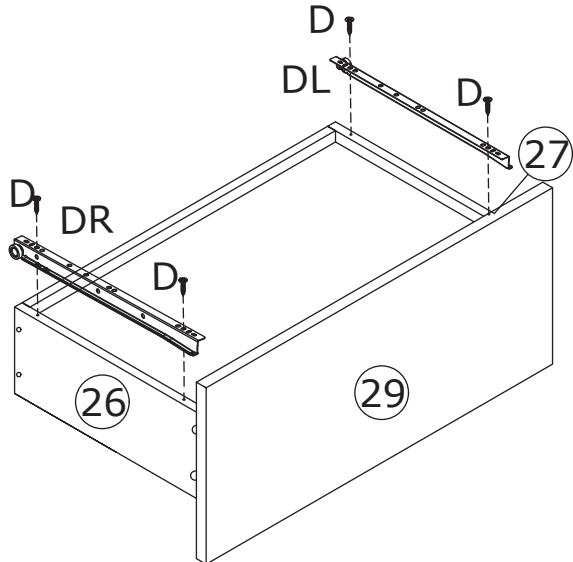
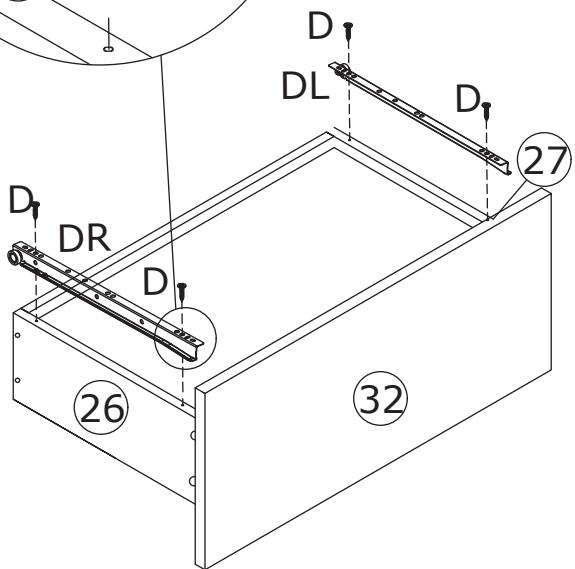
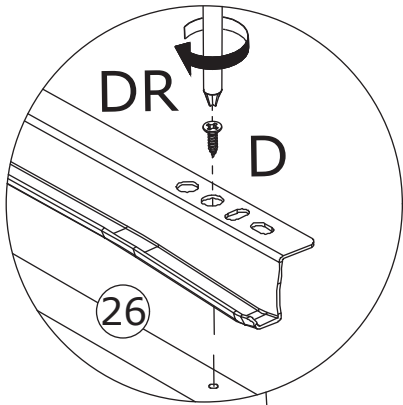
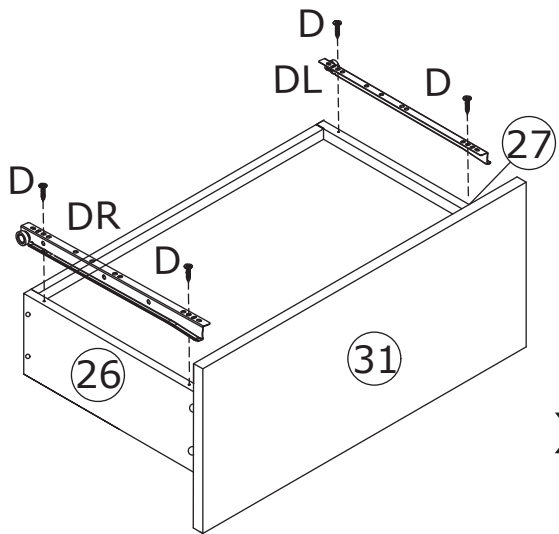
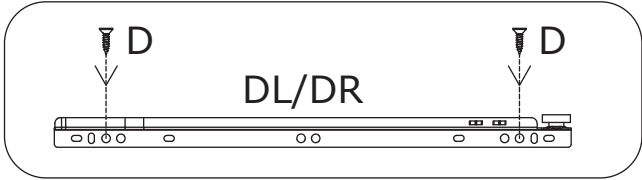
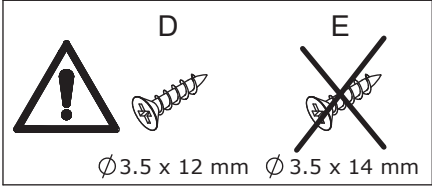
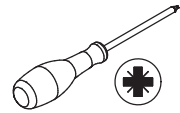


Attach board 29, 31 and 32 to board 26 and 27 respectively, add cam lock(B) into and turn clockwise to tighten as shown.



18

D x 16

Ø3.5 x 12 mm

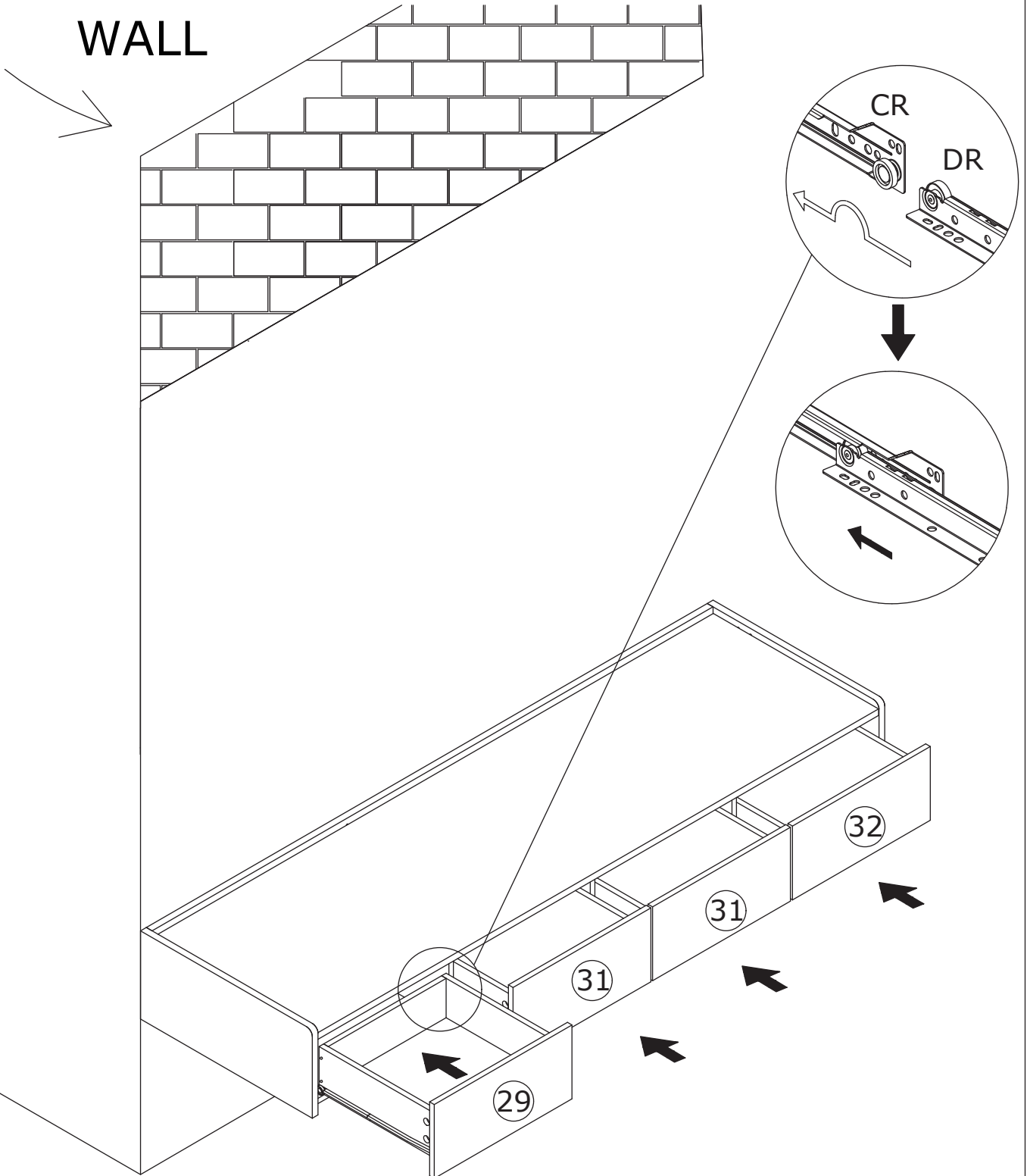


Fix runner(DL) and(DR) to board 27 and 26 with screw(D) as shown.

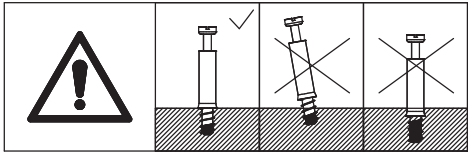
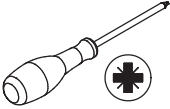
19

Align rails, insert drawers in.

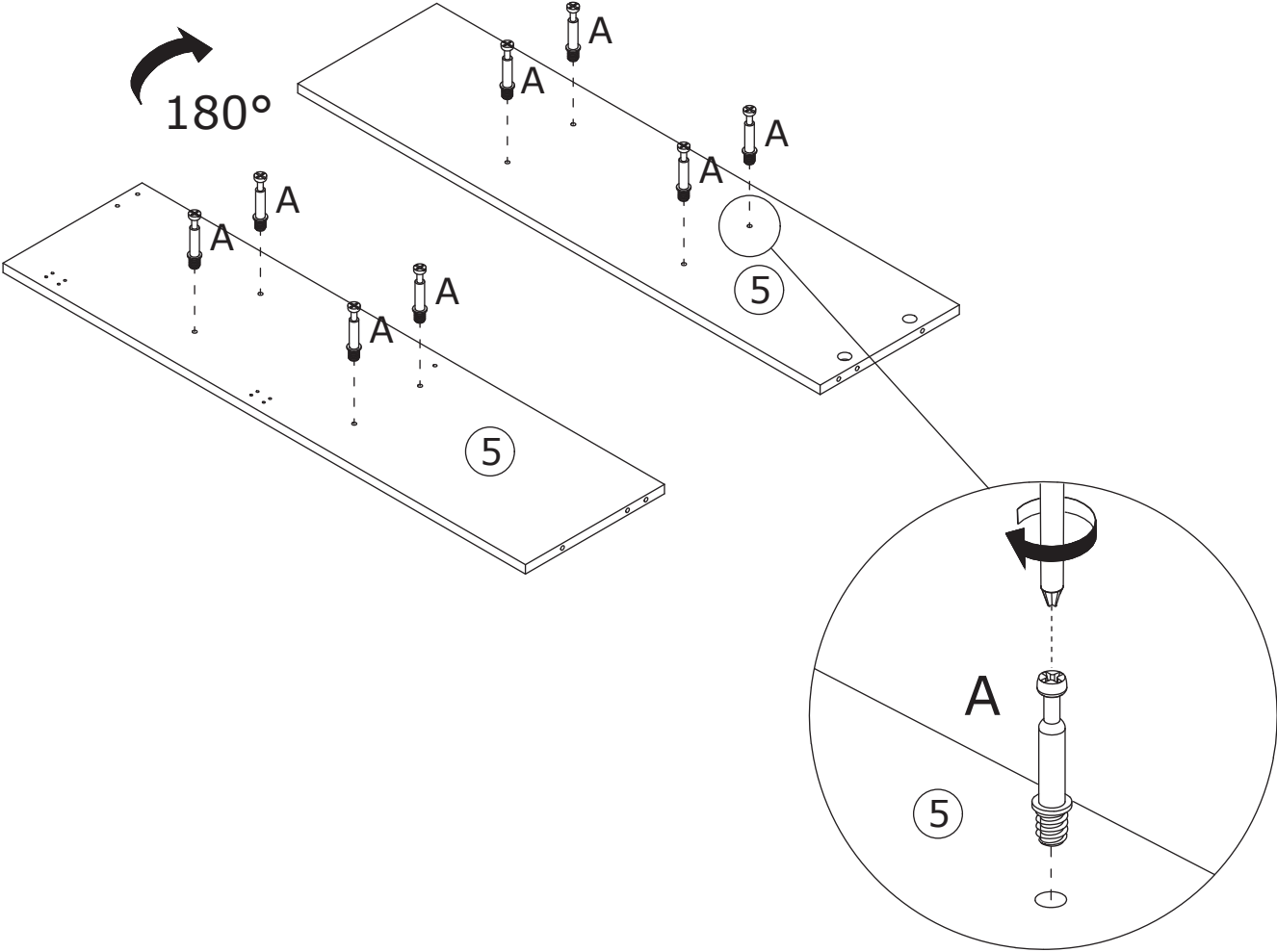
WALL



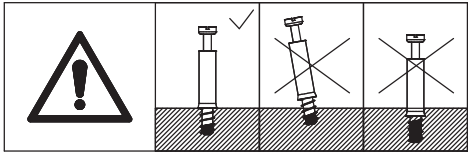
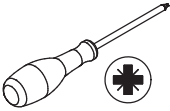
20



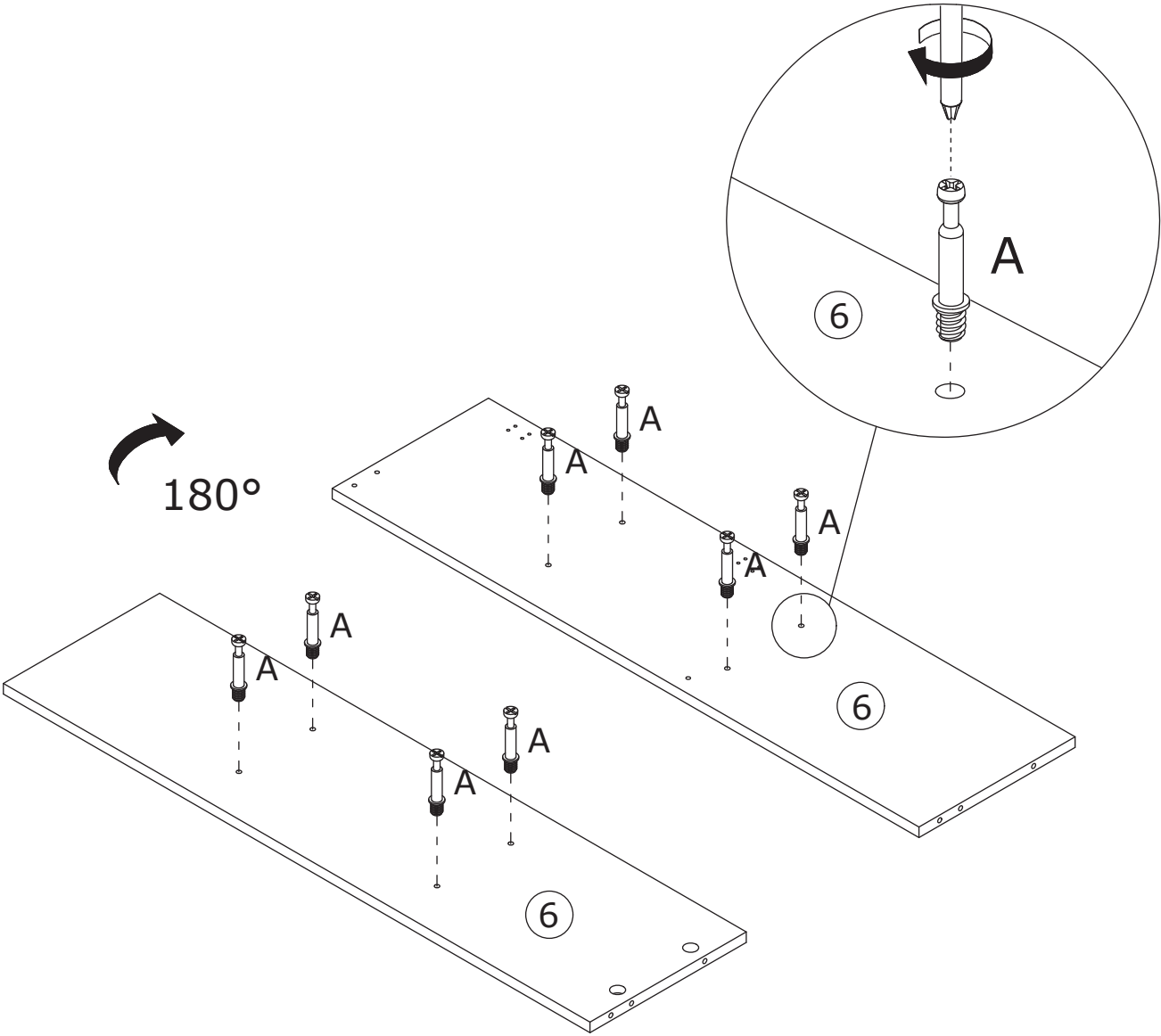
Screw eccentric rod(A) into board 5 at first.
Flip to back, screw eccentric rod(A) into as well.



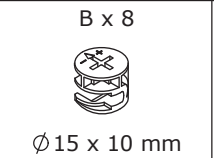
21



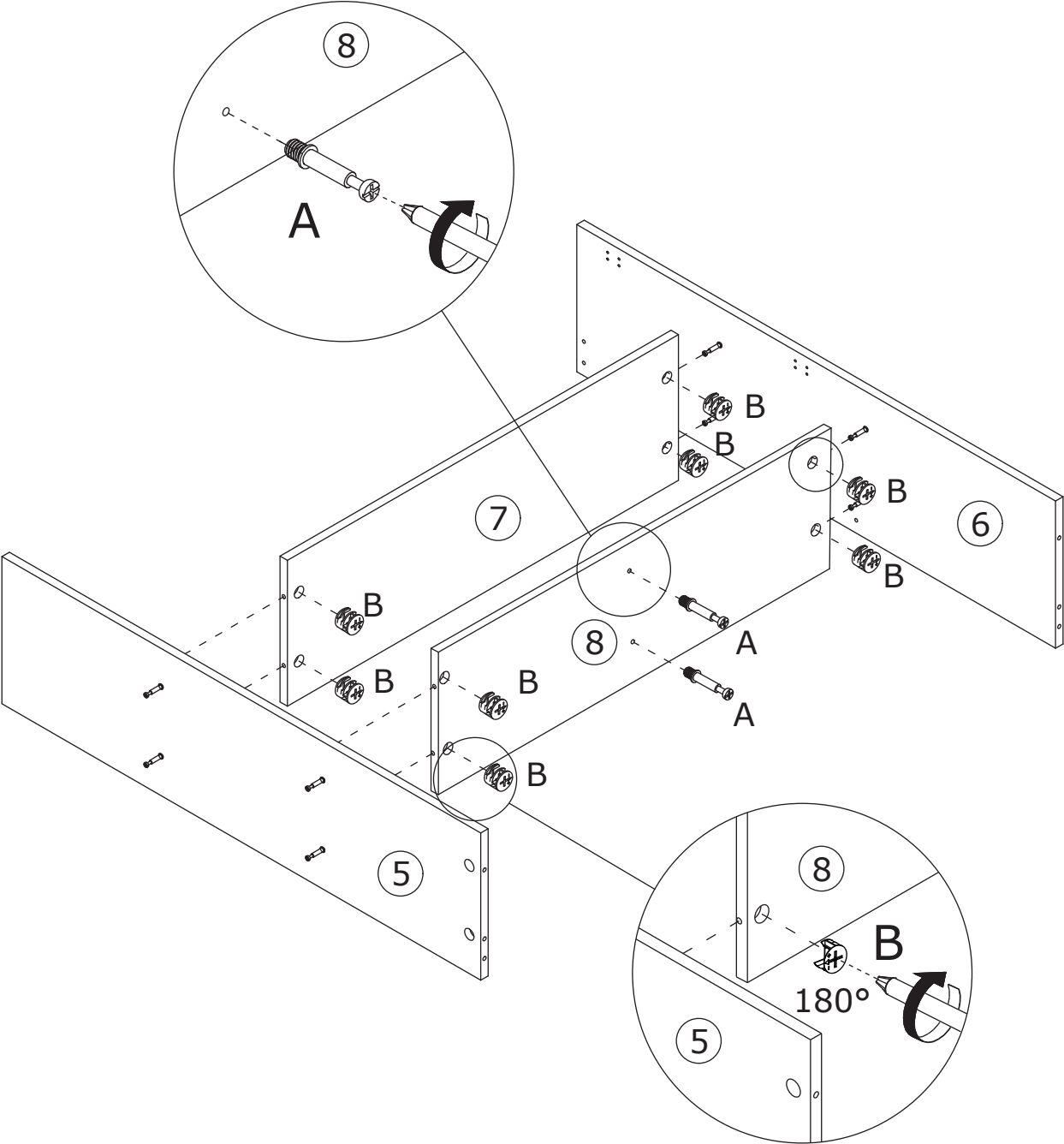
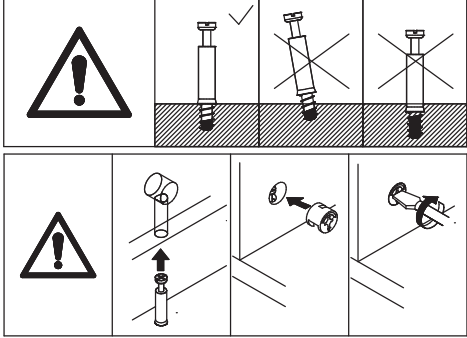
Screw eccentric rod(A) into board 6 at first.
Flip to back, screw eccentric rod(A) into as well.




22

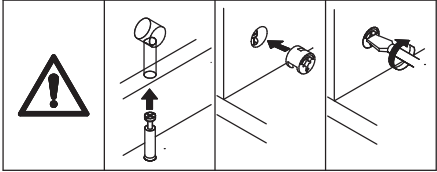
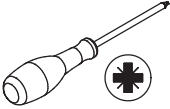


Connect board 5 and 6 to board 7 and 8,
add cam lock(B) into board 7,8 and turn
clockwise to tighten as shown.
Screw eccentric rod(A) into board 8 at first.

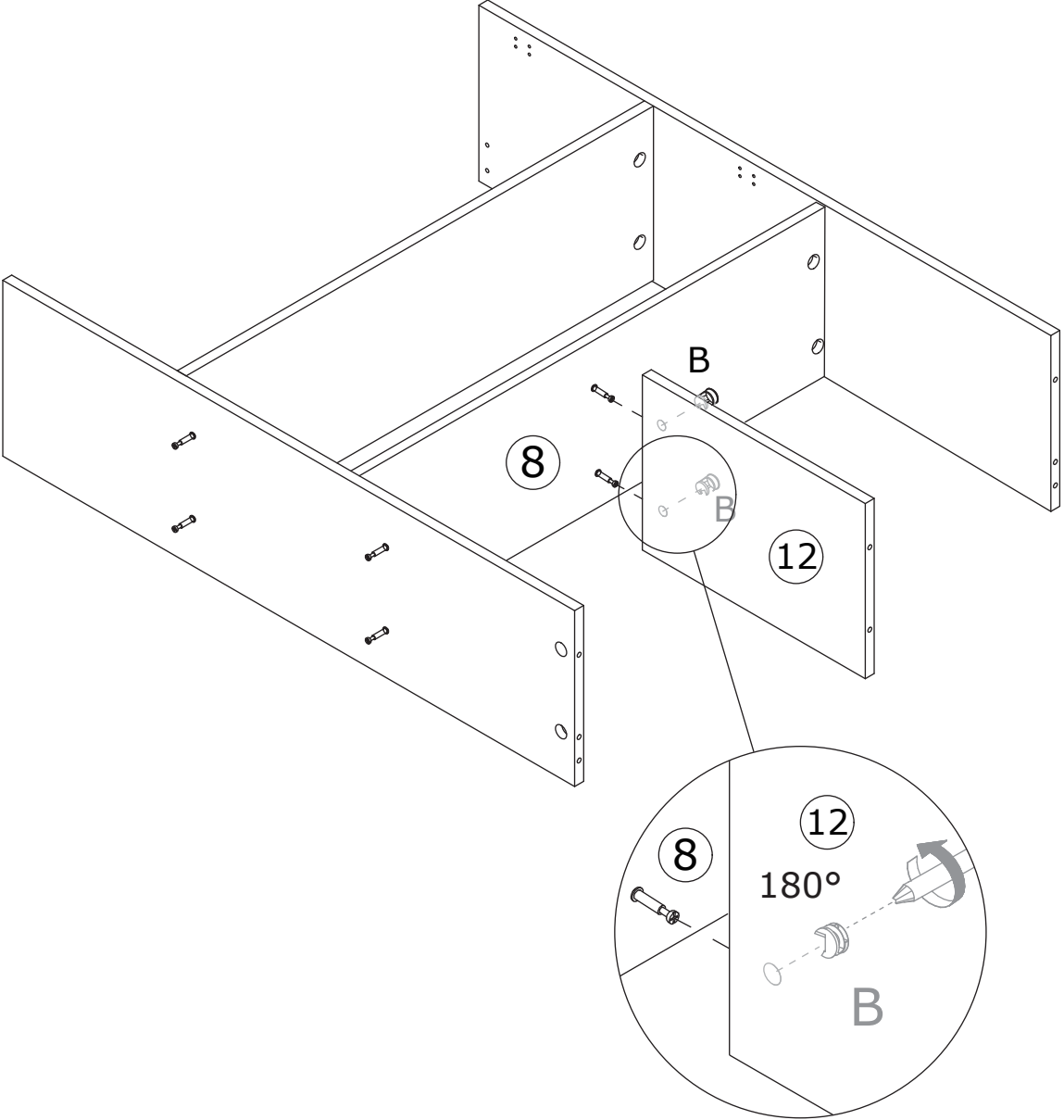


23

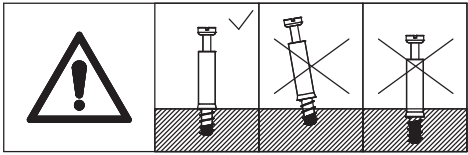
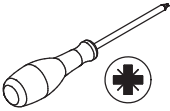
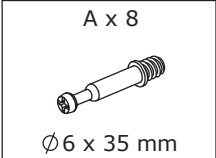
B x 2

Ø 15 x 10 mm



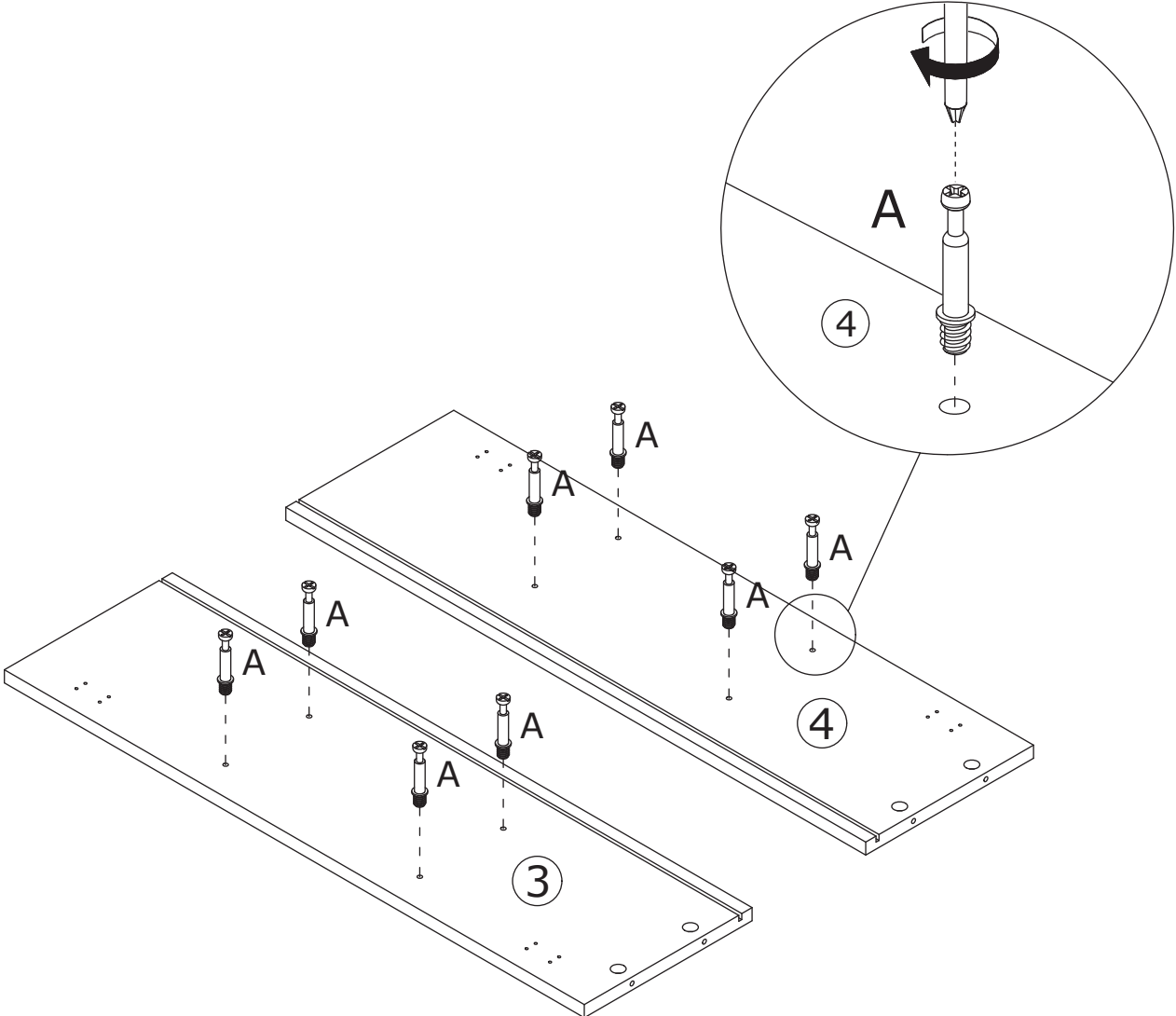
Attach board 12 to board 8, add cam lock(B)
into and turn clockwise to tighten as shown.




24

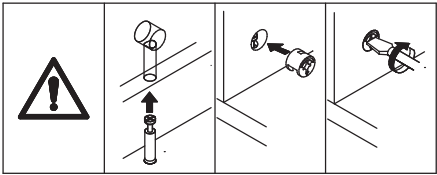
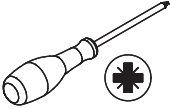


Screw eccentric rod(A) into board 3 and 4 at first.

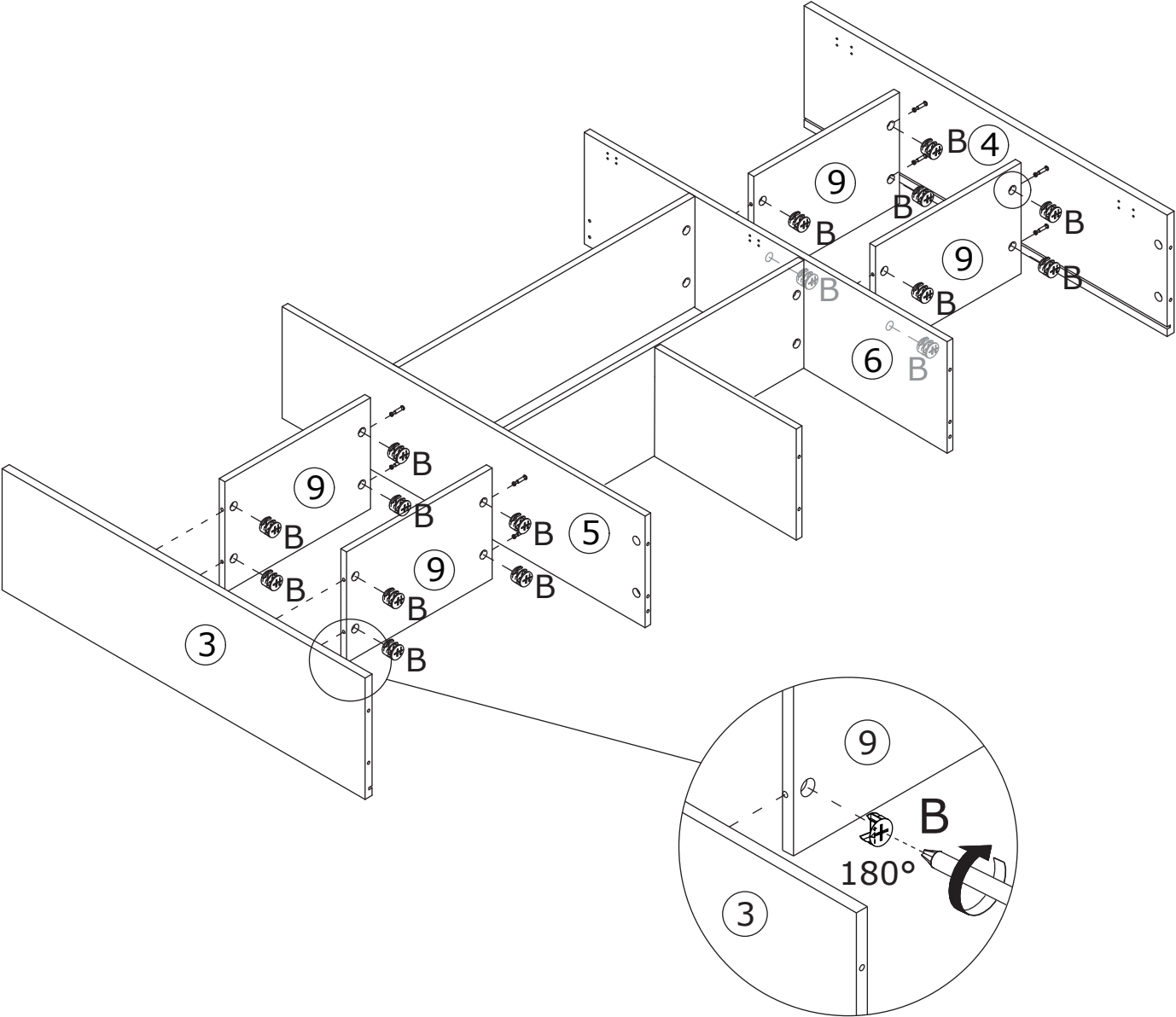


25

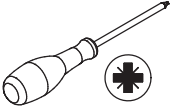
B x 16

Ø 15 x 10 mm



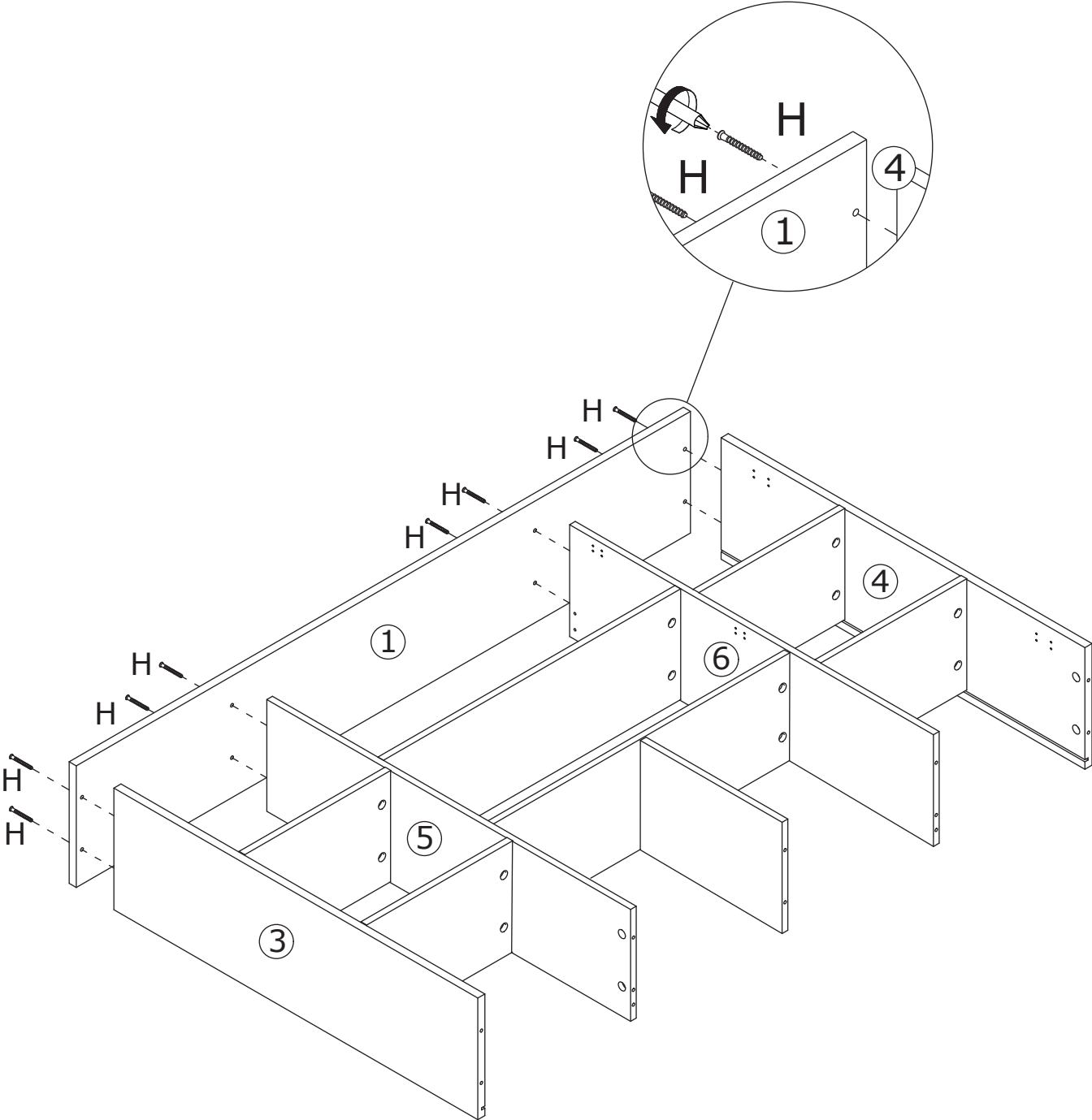
Connect board 3, 5, 4 and 6 to board 9, add cam lock(B) into board 9 and turn clockwise to tighten as shown.



26



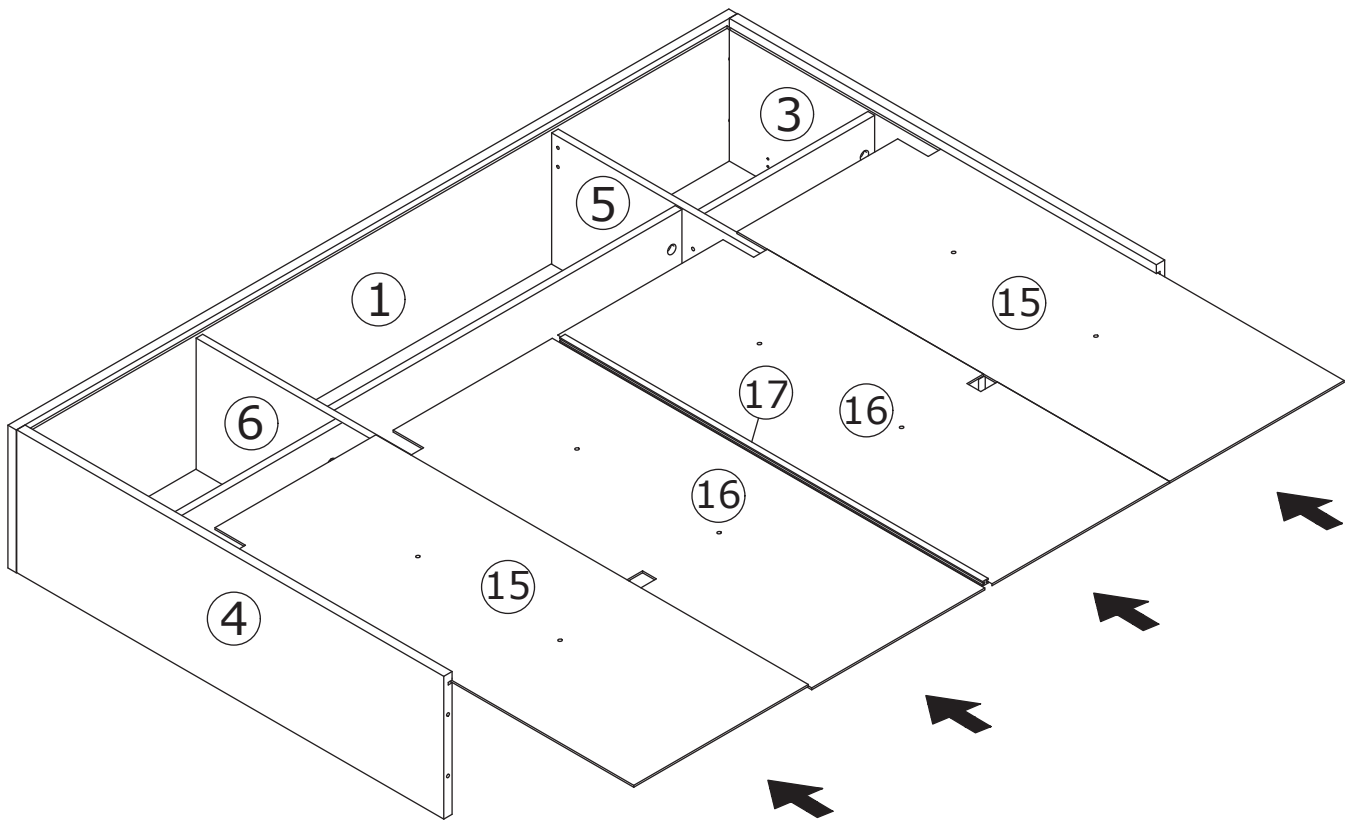
Fix board 1 to board 3, 5, 4 and 6 with screw(H) as shown.



27

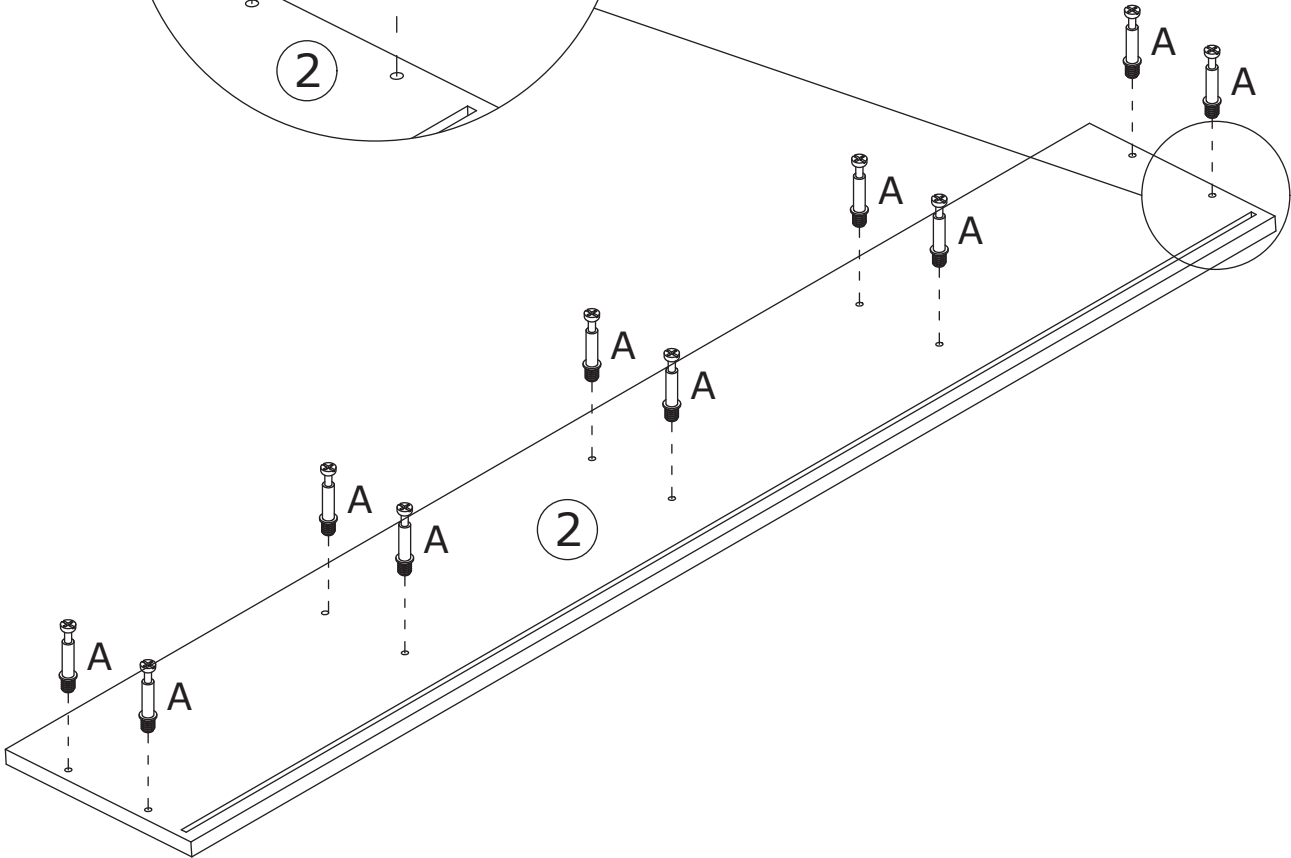
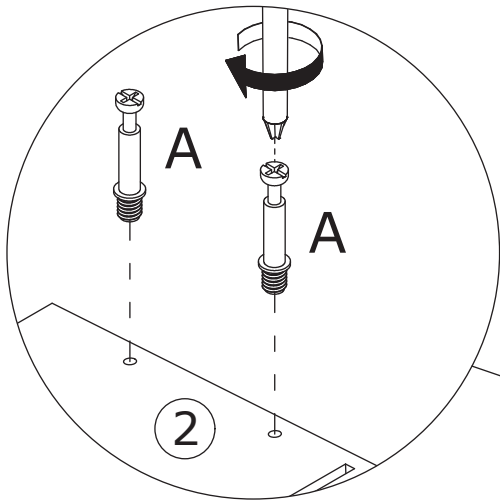
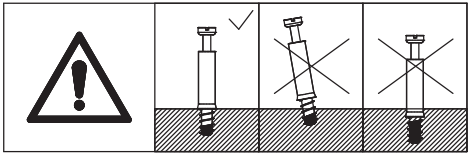
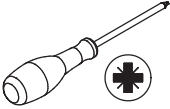


Insert board 15, 16 and plank 17 along available grooves as shown.




28

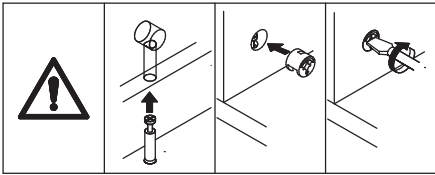
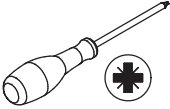
A x 10
Ø6 x 35 mm



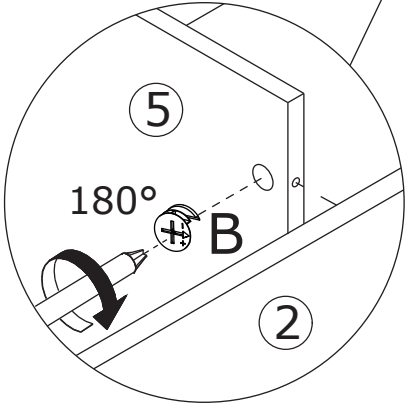
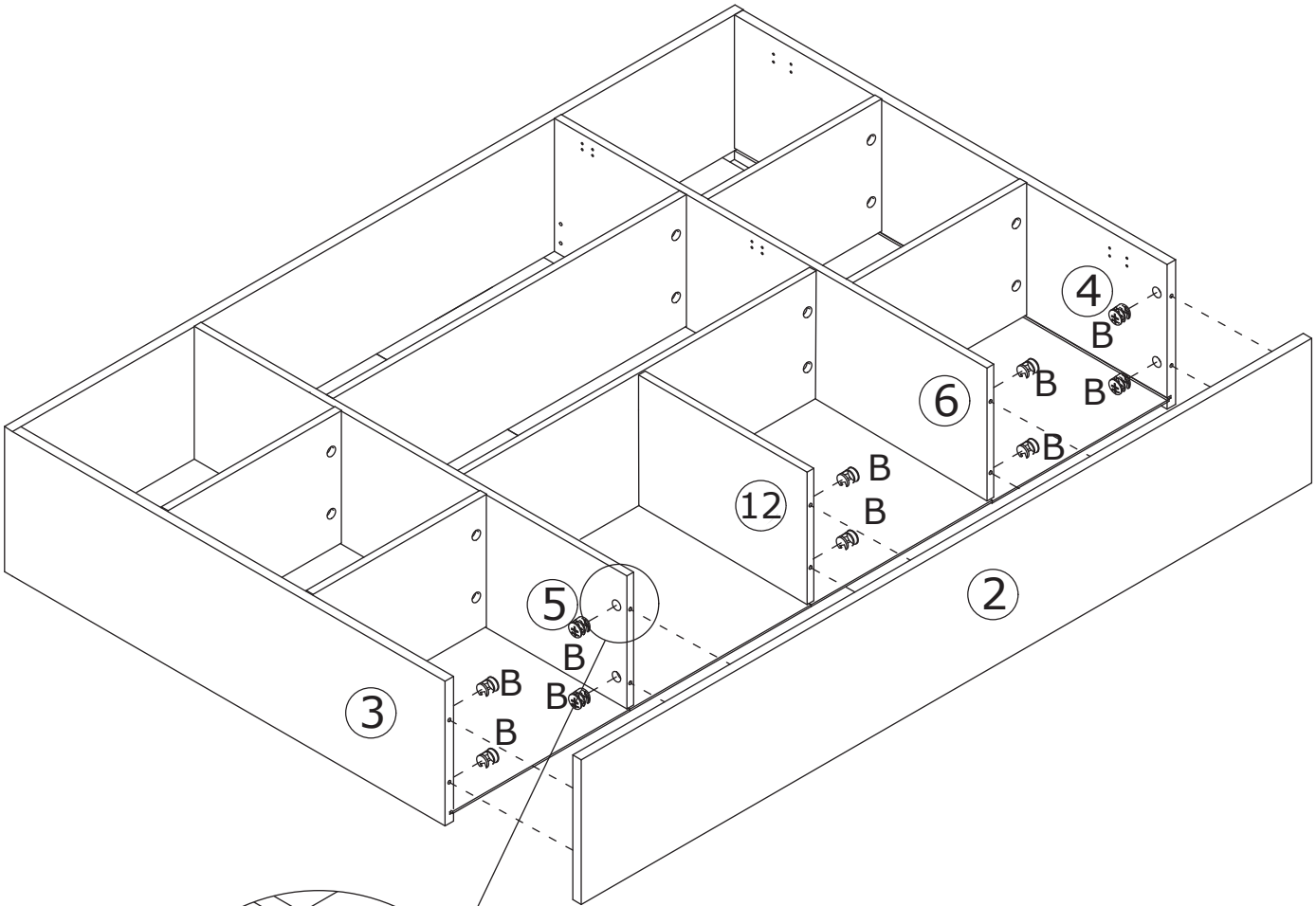
Screw eccentric rod(A) into board 2 at first.

29

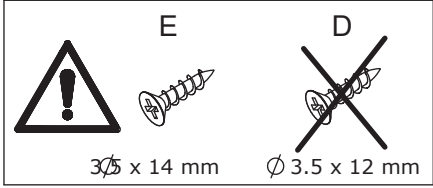
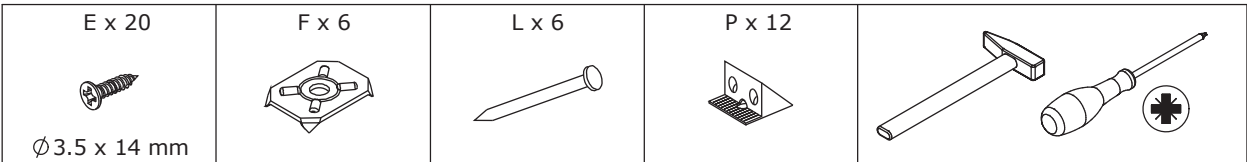
B x 10

Ø 15 x 10 mm



Attach board 2 to board 3, 5, 12, 4 and 6, add cam lock(B) into and turn clockwise to tighten as shown.



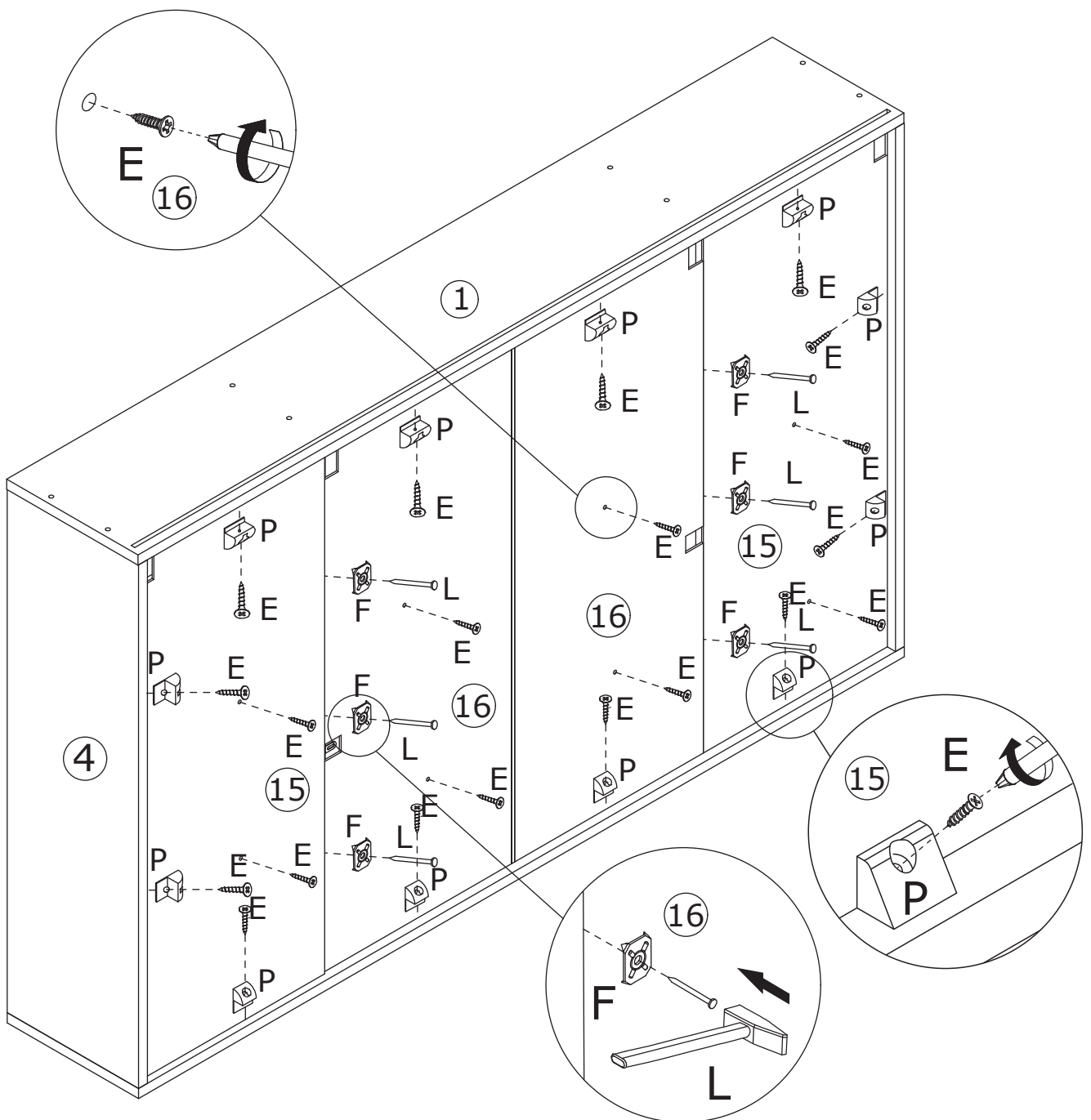
30





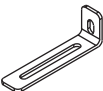
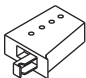
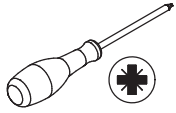
Insert buckle(P) into back slots and fix with screw(E) as shown.

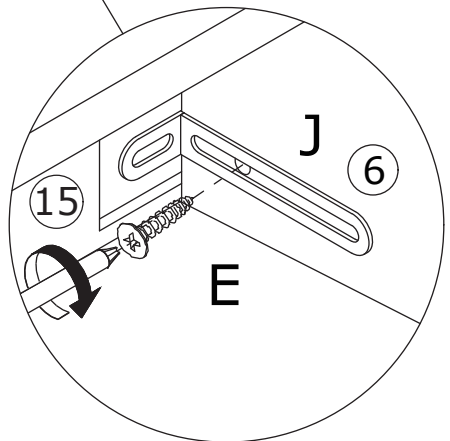
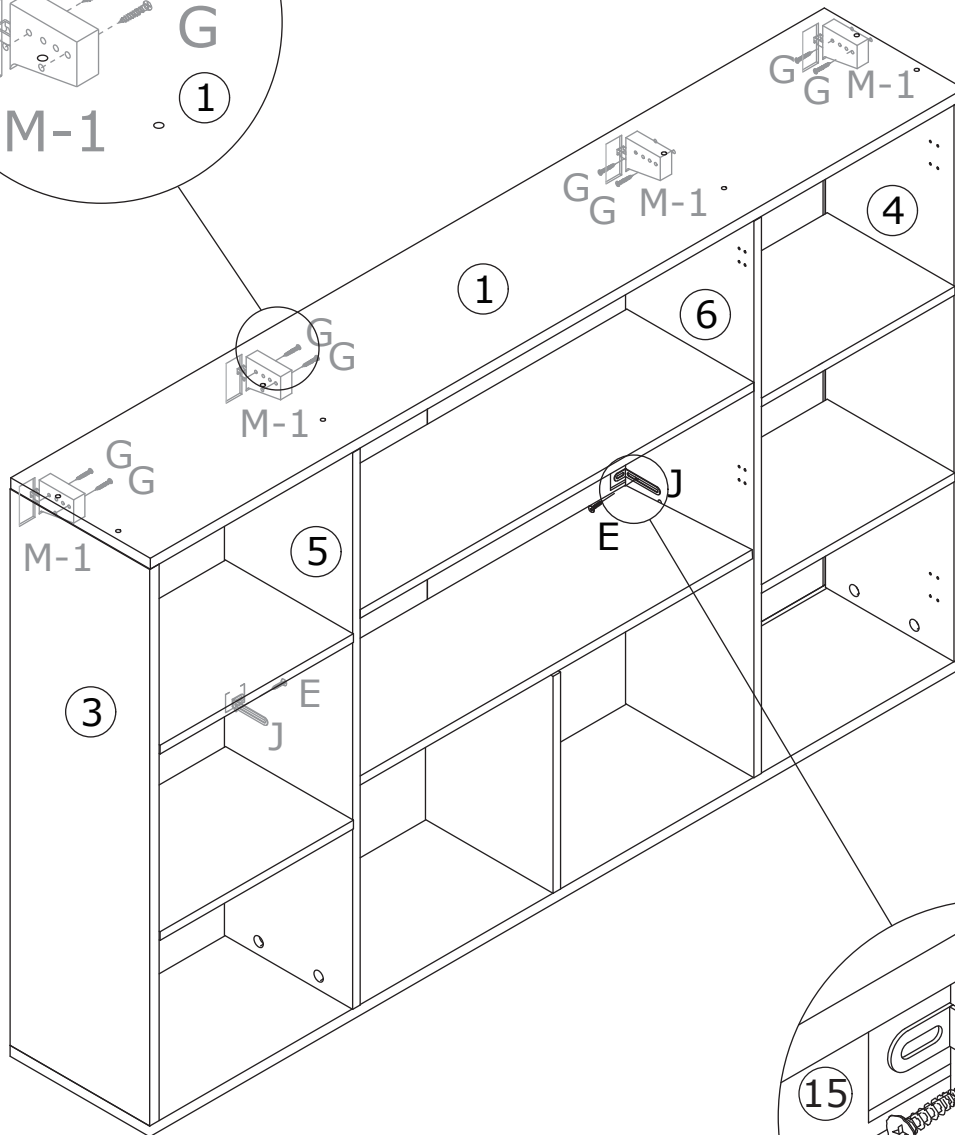
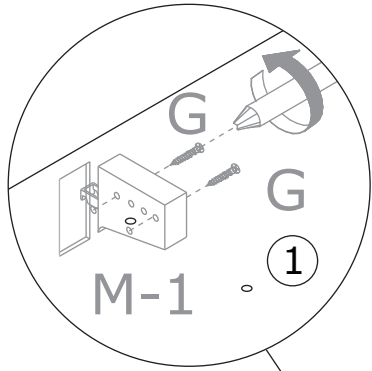
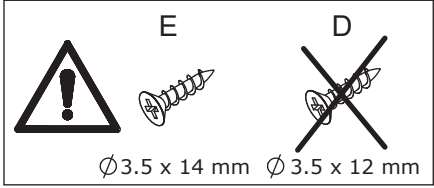
Fix back board to the unit with screw(E).

Use iron sheet(F) to connect board 15 and 16 with nail(L) as shown.



31

| | | | | |
|--|--|--|--|---|
| E x 2  Ø3.5 x 14 mm | G x 8  Ø4 x 27 mm | J x 2  | M x 4  M-1 |  |
|--|--|--|--|---|


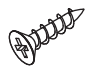



Fix part(M-1) to board 3, 5, 6 and 4 with screw(G) as shown.

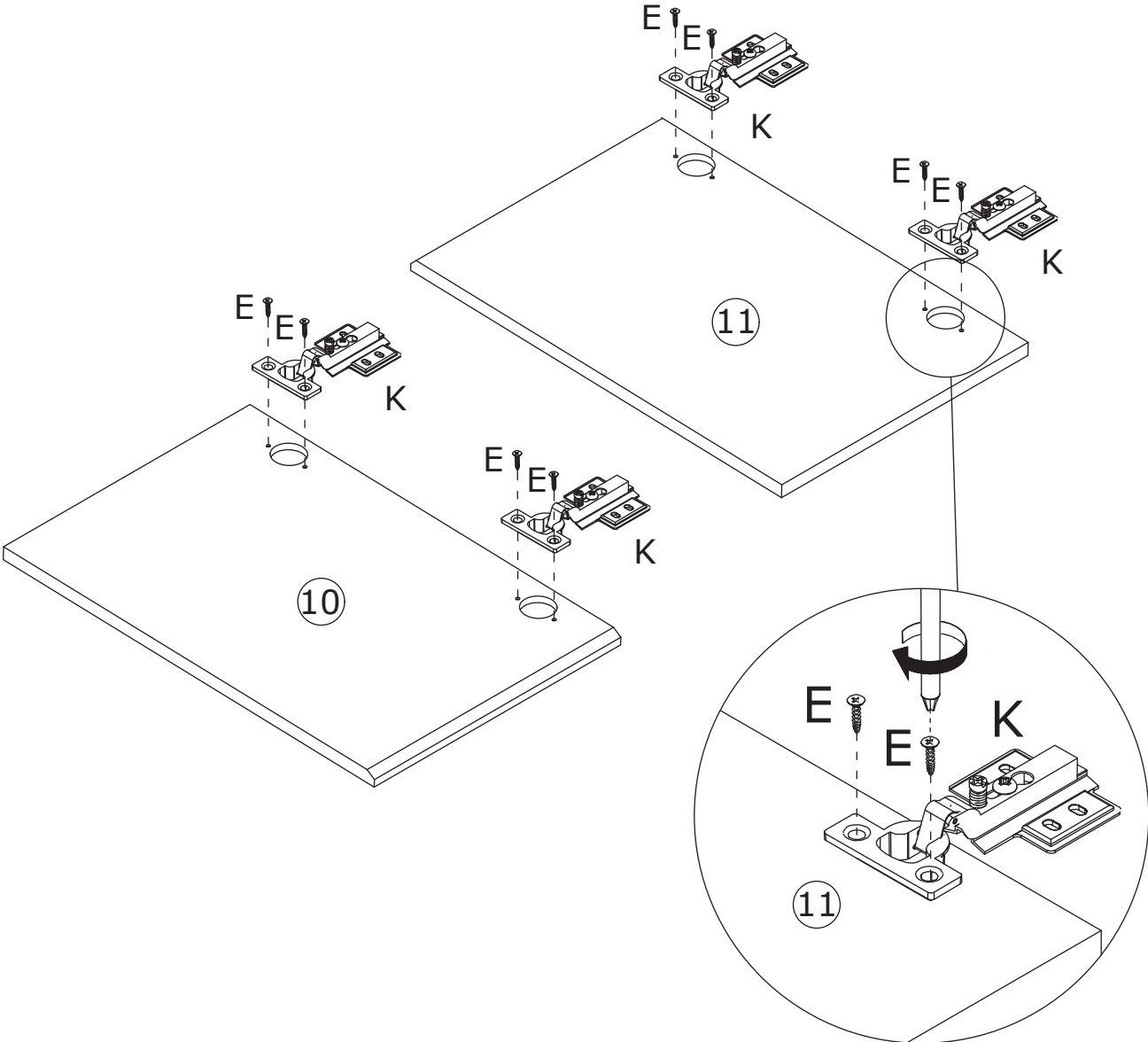
Fix part(J) to board 5 and 6 with screw(E) as shown.

32

| | | |
|---|--|---|
| <p>E x 8</p>  <p>Ø 3.5 x 14 mm</p> | <p>K x 4</p>  |  |
|---|--|---|

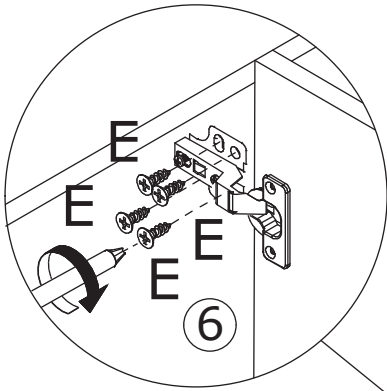
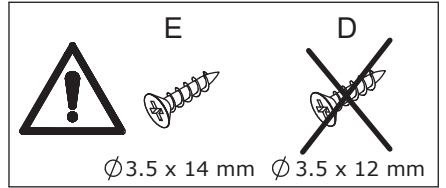
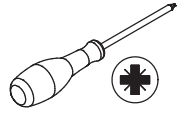
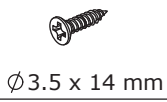
| | |
|---|---|
|  <p>E</p>  <p>Ø 3.5 x 14 mm</p> |  <p>D</p> <p>Ø 3.5 x 12 mm</p> |
|---|---|

Fix hing(K) to board 10 and 11 with screw(E) as shown.

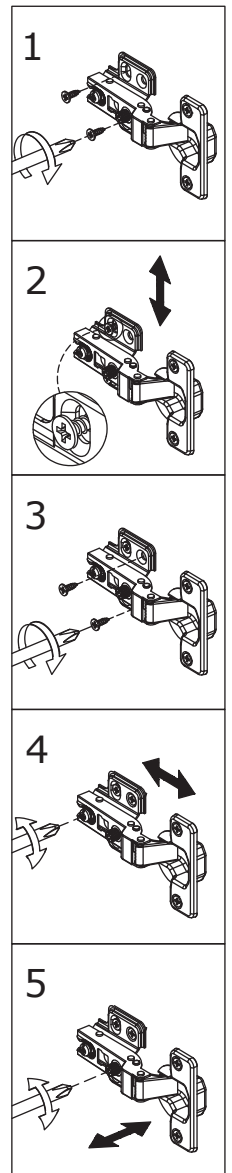
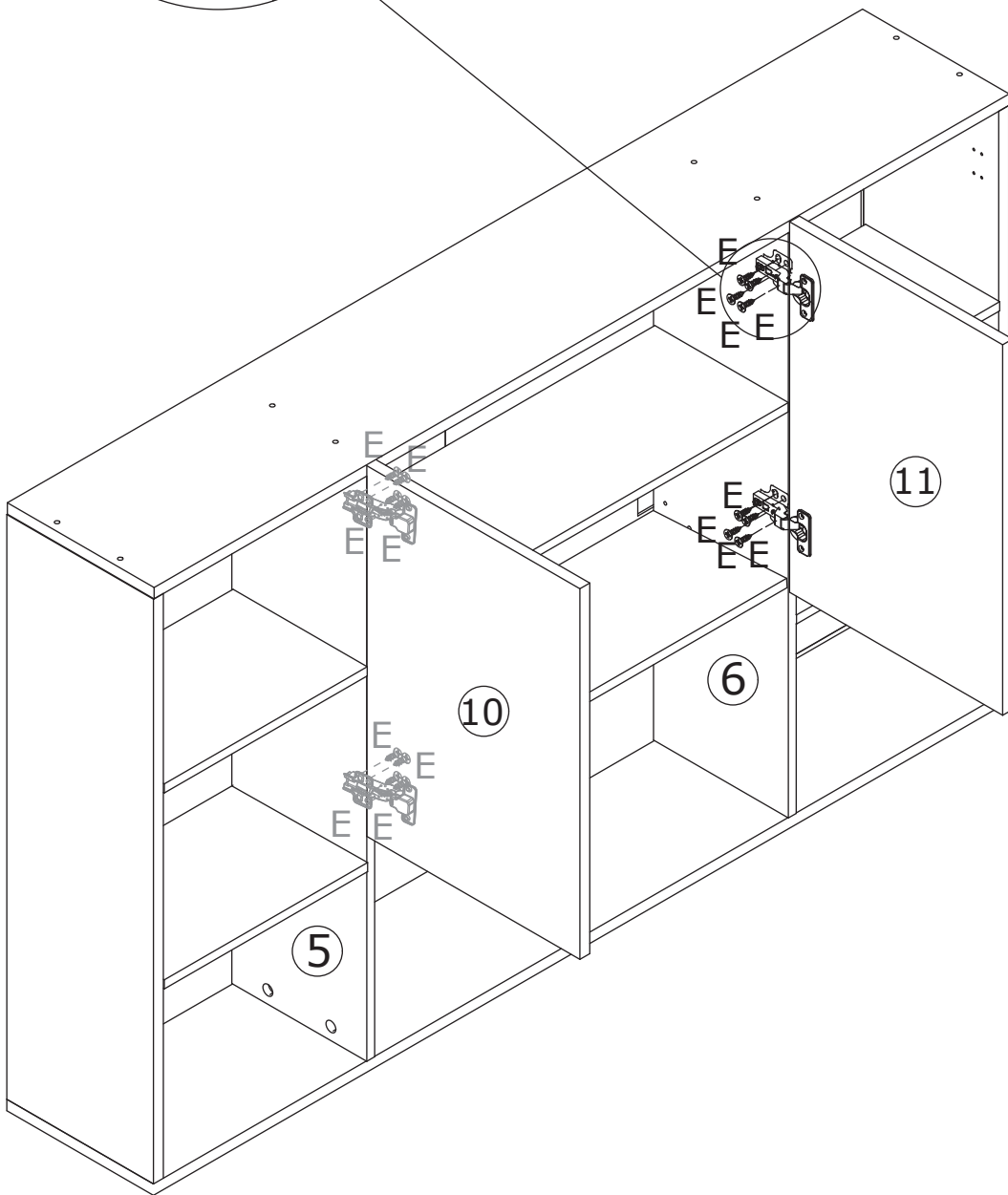


33

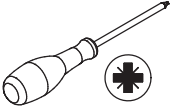
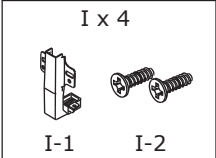
E x 16



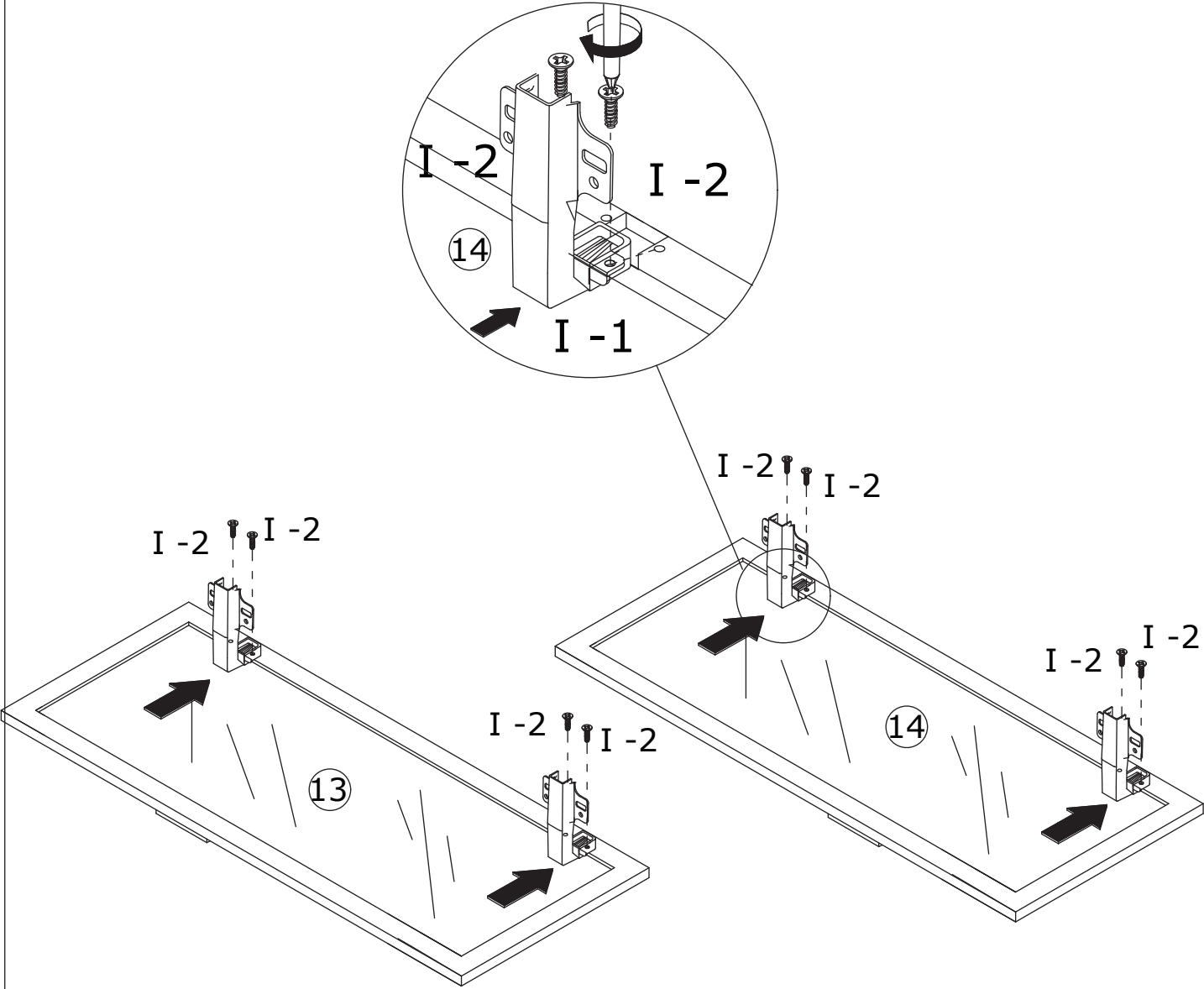
Assemble door 10 and 11 to board 5 and 6 by fixing hinge with screw(E) as shown.



34



.Fix hing(I-1) to board 13 and 14 with screw(I-2) as shown.

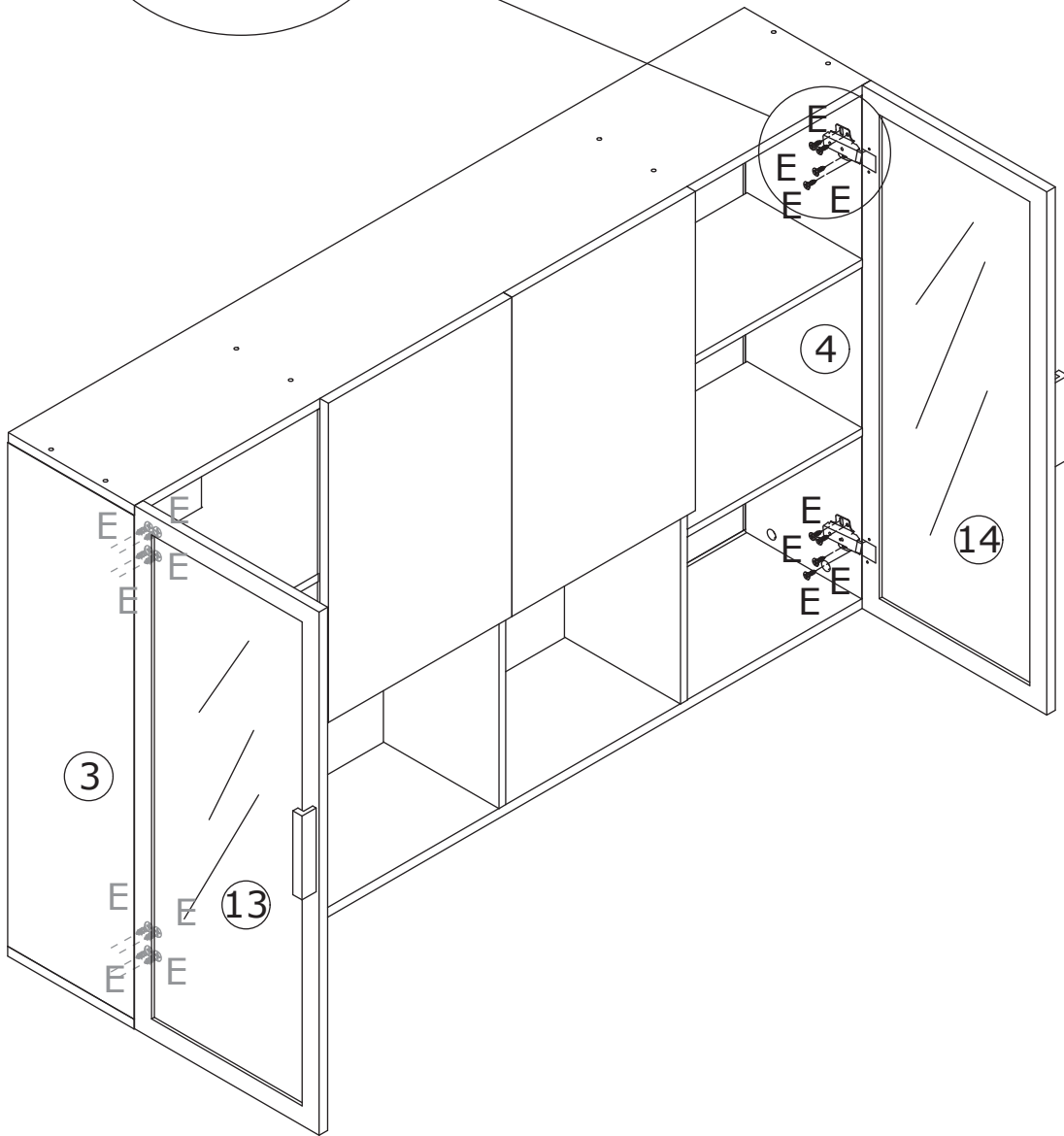
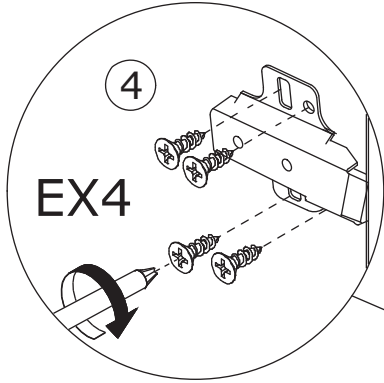
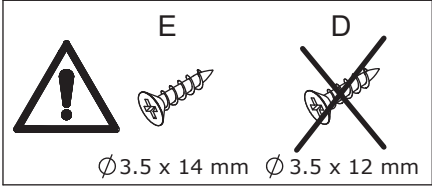
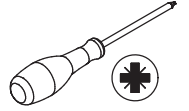


35

E x 16

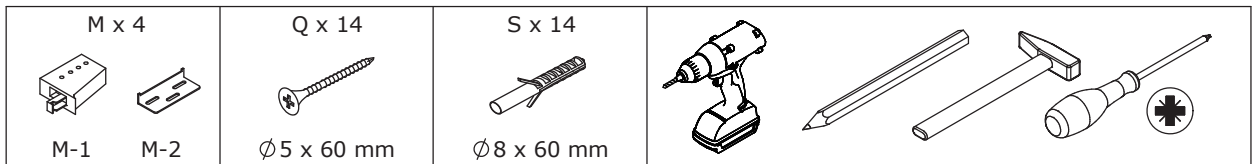


Ø 3.5 x 14 mm

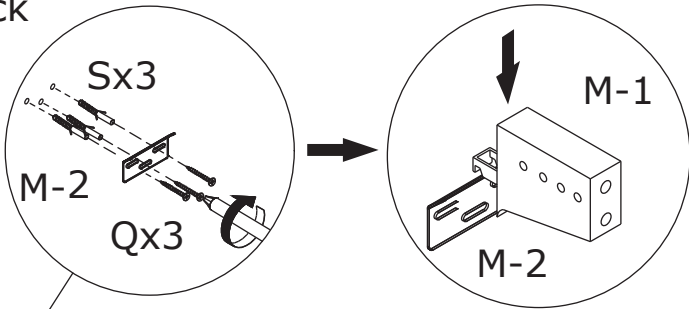


Assemble door 13 and 14 to board 3 and 4 by fixing hinge with screw(E) as shown.

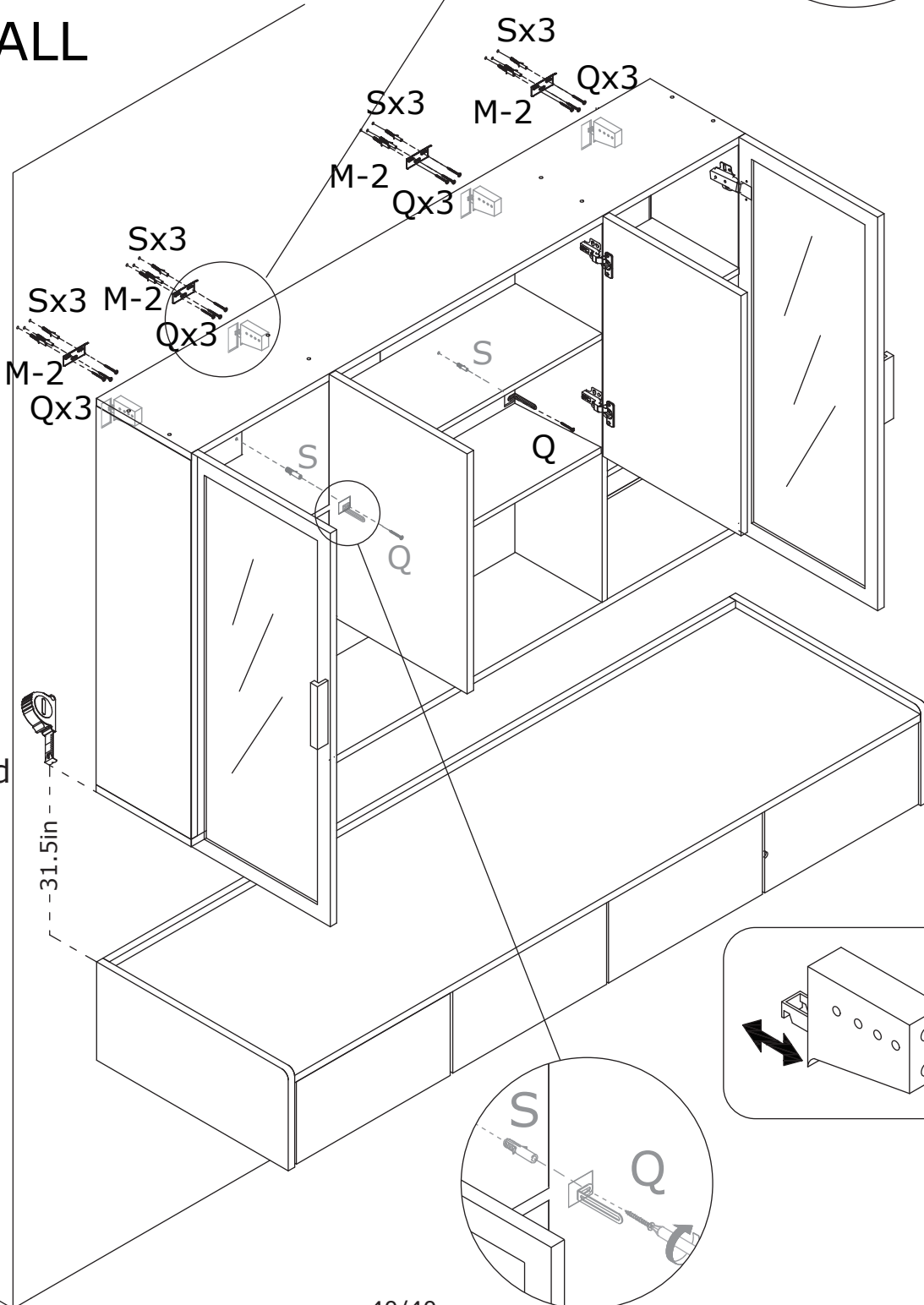
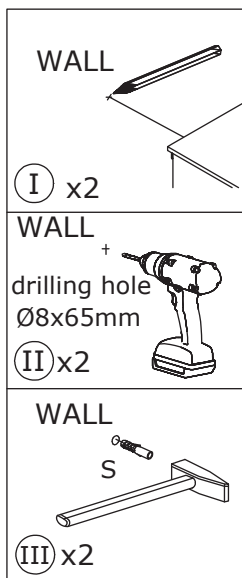
36



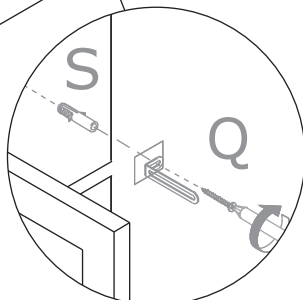
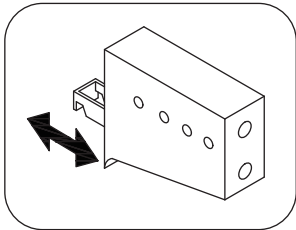
Punch holes on wall at first, and knock expansion screw(S) into.
 Fix the cabinet to wall through part(M-2) and part(J) with screw(Q) as shown.
 Rotate part(M-1) so that it hangs in part(M-2).



WALL



It is recommended that the distance between the two units be 31.5in.



WARRANTY

WARRANTY CLAIMS

- There is a 30-day warranty for broken furniture or any other problems that do not work properly. The warranty will start from the date of purchase which must be verified by proof of purchase.
- Before making a claim, we may be able to answer your query, simply call us. Please leave your purchase order number, along with some details of the problem, if you want a replacement part. We will arrange within 48 hours. If there is out of stock, we will reply with a shipping date.
- The product must be used in accordance with the instructions provided. For health reasons.
- For other reasons, if the furniture needs to be returned, it must be cleaned and dried and operated within 30 days of receipt.

Type of Warranty Claim

- Failure to follow the furniture instructions will invalidate the warranty. Attention please.
- Does not include damage during installation, but includes damage during transportation.

Scope of responsibility

- Shall not bear any responsibility for misuse or user damage and / or loss of parts during the installation of furniture.
- After using, the damage and scratches of the furniture are not covered by the warranty.

The Warranty Relates to All Bought in The Us and Covers The Following Areas

- Sheet parts: 1 month from the date of purchase.
- Electrical parts: 1 month from the date of purchase.

RETURNS

CHANGED YOUR MIND AND NEED TO RETURN YOU ITEM?

PLEASE FOLLOW THE BELOW INSTRUCTIONS:

- If you have purchased and have simply changed your mind, follow the retailer's instructions for returns.

DEFECTIVE ITEMS

- If your item is defective in any way, i.e. it doesn't work but you can't identify why, in the first instance, please call us.

DAMAGED ITEMS

- If you receive an order with obvious shipping damage from the retailer, then we suggest the delivery is refused. If the delivery has been accepted and then shipping damage is found, please follow the specific instructions advised by the retailer.
In all circumstances please save all packaging material and paperwork for the order. Please be aware that if you dispose of packaging material or attempt to return the merchandise without contacting the fulfiller, you jeopardise your chances of making a claim, and you may not receive a credit for the return.

AFTER-SALES CONTACT



feedbackstation@163.com



(303)800-6387