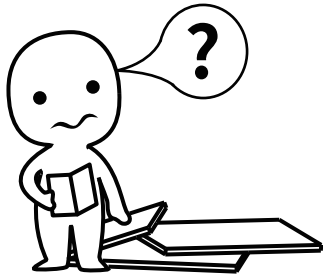


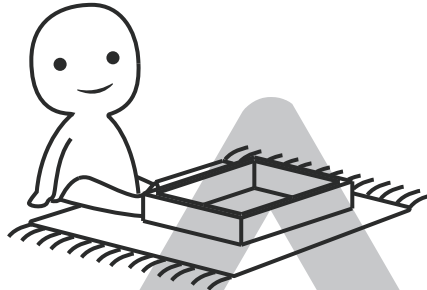
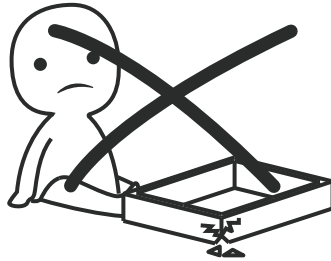
INSTALLATION

Product Manual



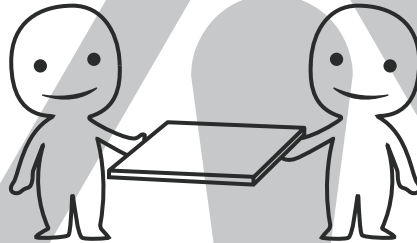
IMPORTANT INFORMATION!

please read the entire manual before starting to assemble and/or using this product. follow the manual thoroughly and keep it for further reference.



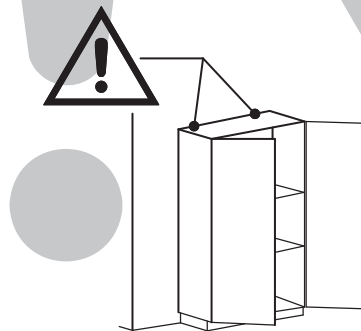
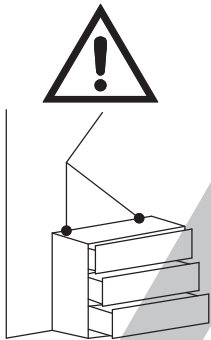
AVOID SCRATCHES!

In order to avoid scratching this furniture should be assembled on a soft layer- could be a rug.



IMPROVE EFFICIENCY !

Try to find a partner to install with you, which can speed up the installation efficiency and shorten the time.



ANTI-TOPPLE WARNING !

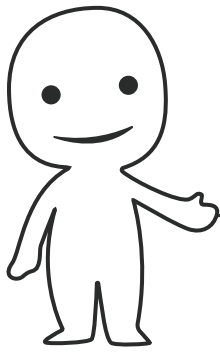
Overtured furniture can cause serious or fatal crush injuries. To prevent tipping over, be sure to use the wall attachment, if not included with this product. Please purchase the wall attachment that fit your wall. If unsure, seek professional advice. Please read and follow each step of the instructions carefully.

IMPORTANT !

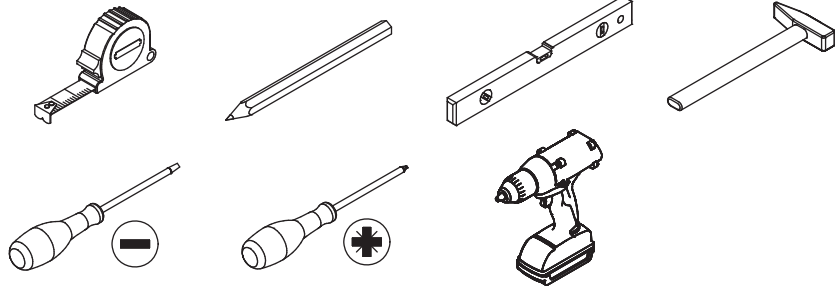
It is important that any product which is assembled using any kind of screw is re-tightened 2 weeks after assembly, and once every 3 months - in order to assure stability through-out the lifespan of the product.

For regular maintenance and cleaning of the product, for the frame, please use a rag dipped in neutral detergent to fully wipe it, and then dry it with a clean rag. For glass materials, wipe with a rag dampened with water glass cleaner, and then dry with a dry rag.

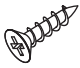
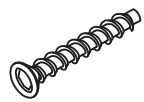
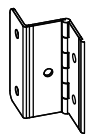
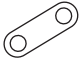

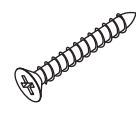
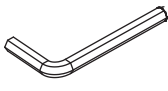



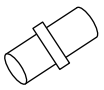
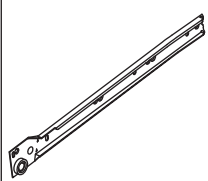

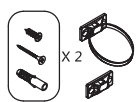

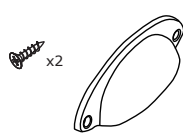
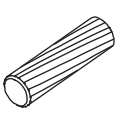
Do not use an electric screwdriver, and do not use too much force when installing, because the board is easy to break.

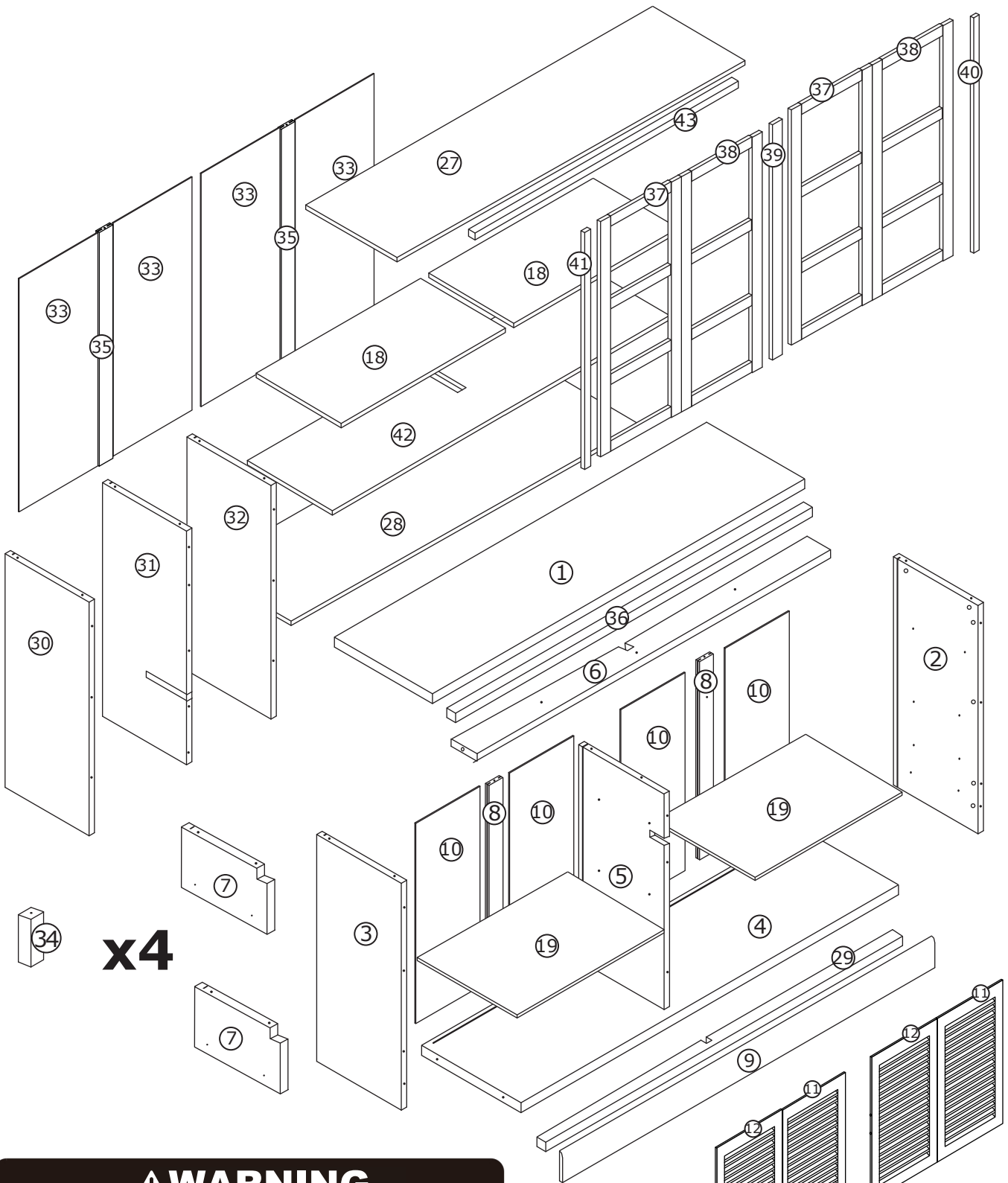


Please prepare the following tools

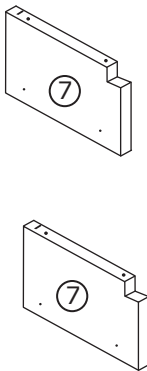


When installing, please carefully confirm whether each screw corresponds to the manual, accessories with similar shapes can be distinguished by size

A x 81  Ø 6 x 35 mm	B x 200  Ø 3 x 12 mm	C x 81  Ø 15 x 12 mm	D x 4  Ø 6 x 40 mm	E x 8 
F x 12 	G x 8  4.5CM	H x 4  Ø 4 x 20 mm	J x 30  Ø 4 x 30 mm	K x 1 
L x 12 	M x 4  Ø 4 x 28 mm	N x 4  Ø 4 x 25 mm	O x 8 	P x 16  Ø 5 x 10 mm
Q x 4 	R x 4 	S x 4 	T x 4 	U x 16 
V x 2  x2	W x4  Ø 6 x 30 mm	Y x 4  x2	X x 4  4CM	Z x 2  Ø 6 x 25 mm



34 **x4**

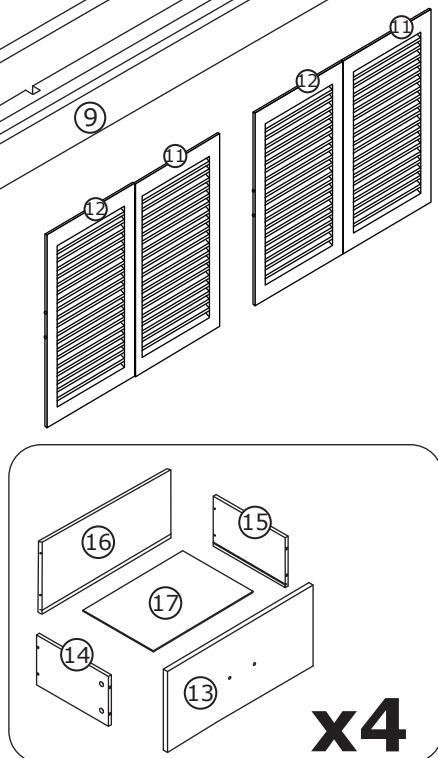


⚠ WARNING

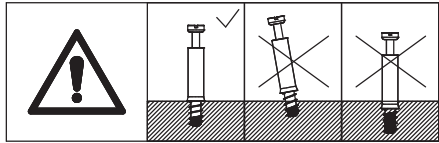
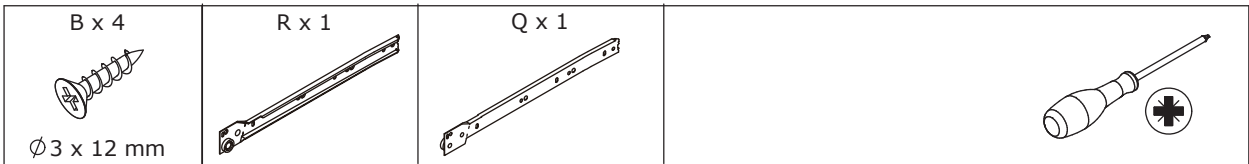
Children have died from furniture tipover. To reduce the risk of furniture tipover:

- ALWAYS install tipover restraint provided.
- NEVER put a TV on this product.
- NEVER allow children to stand, climb or hang on drawers, doors, or shelves.
- NEVER open more than one drawer at a time.
- Place heaviest items in the lowest drawers.

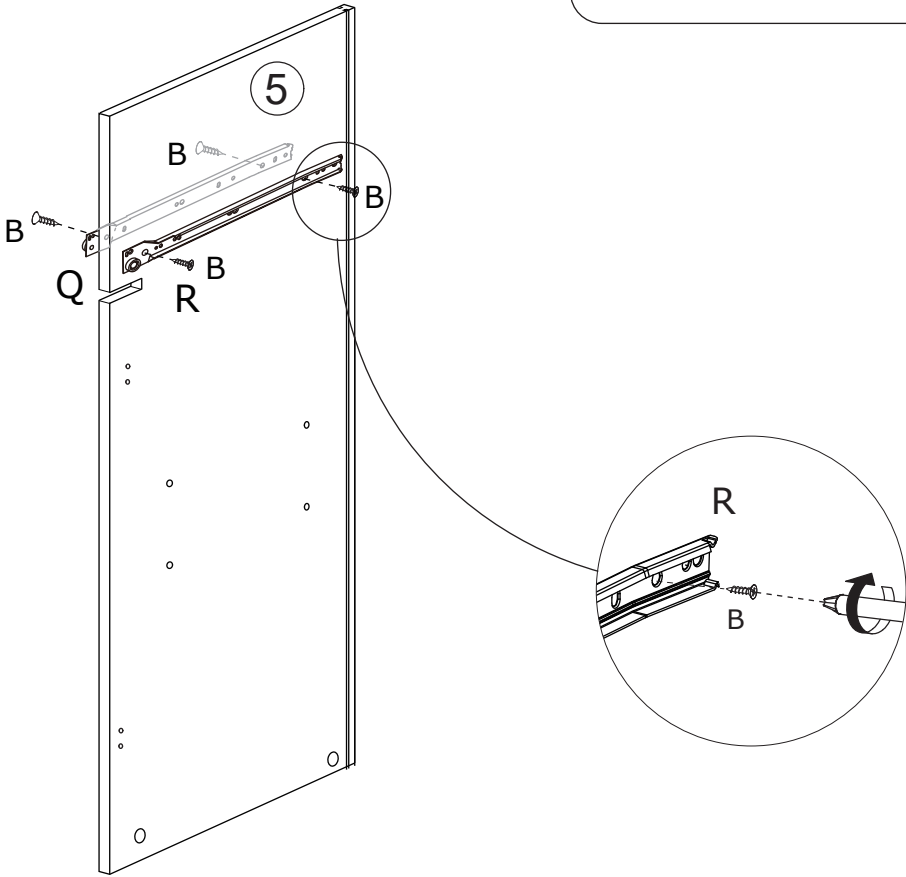
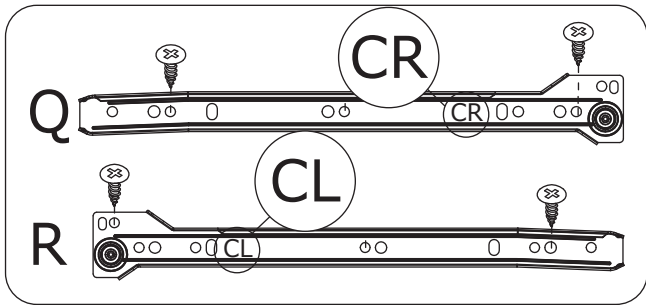
This is a permanent label. Do not remove!



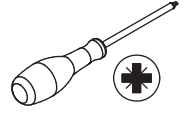
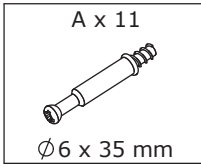
1



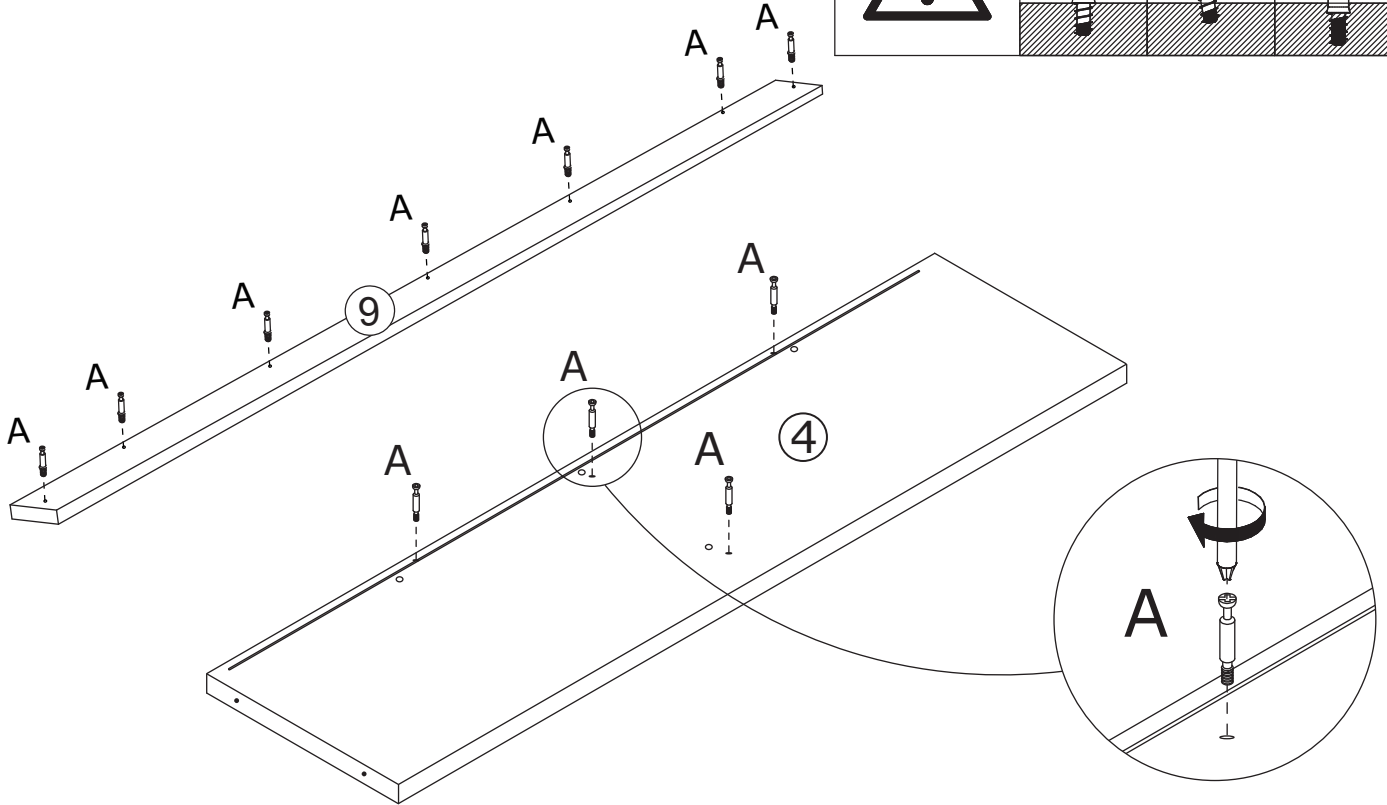
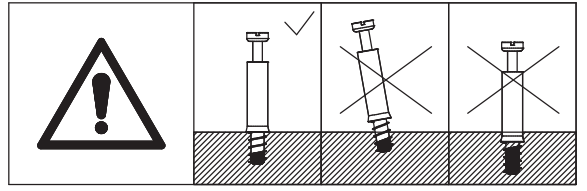
Fix slide rail(Q) to plate 5, fix slide rail(R) to plate 5 using screw(B) as shown.



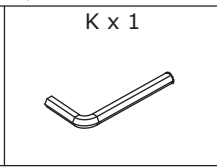
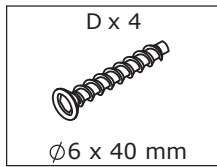
2



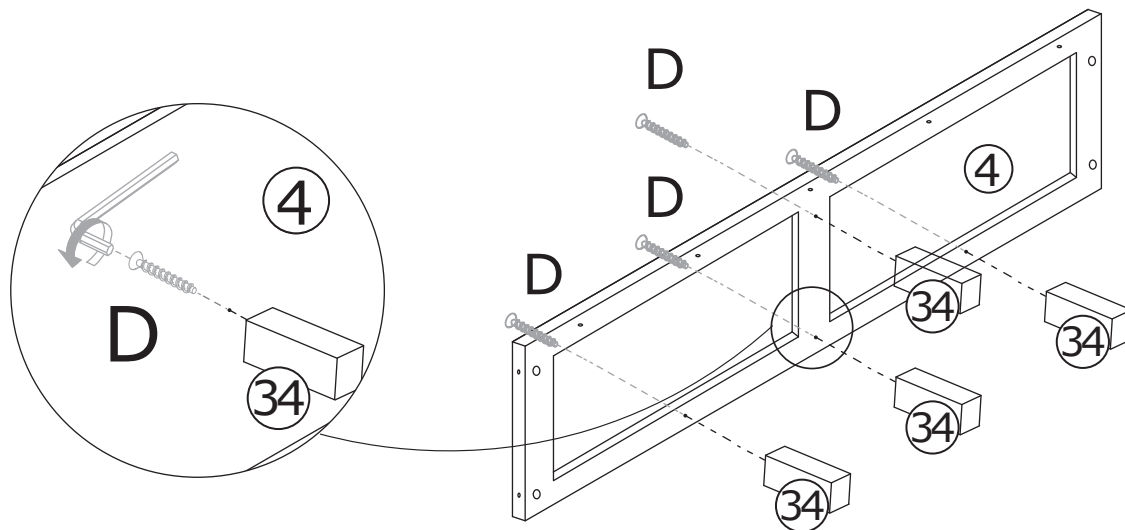
Screw eccentric rod(A) into board 4 and 9 with a screwdriver as shown.



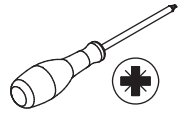
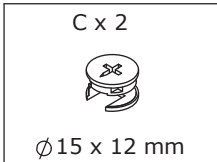
3



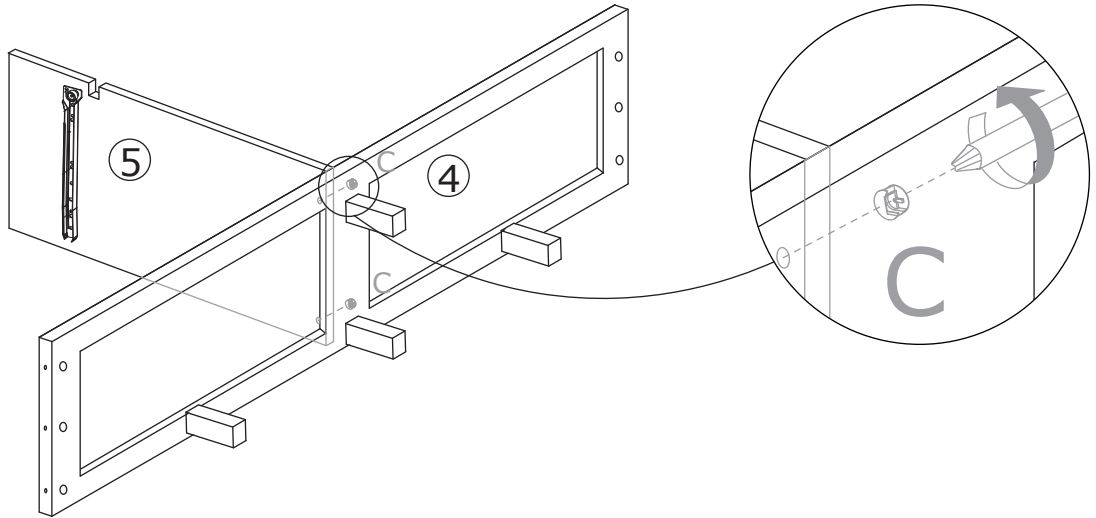
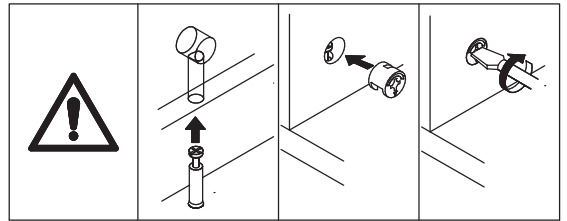
Fix leg support 34 to board 4 with screw(D) as shown.



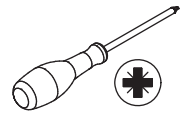
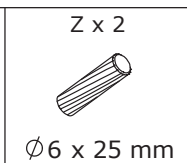
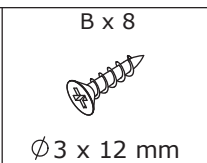
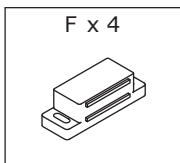
4



Attach board 5 to board 4, add cam lock(C) into board 5 and turn clockwise to tighten as shown.

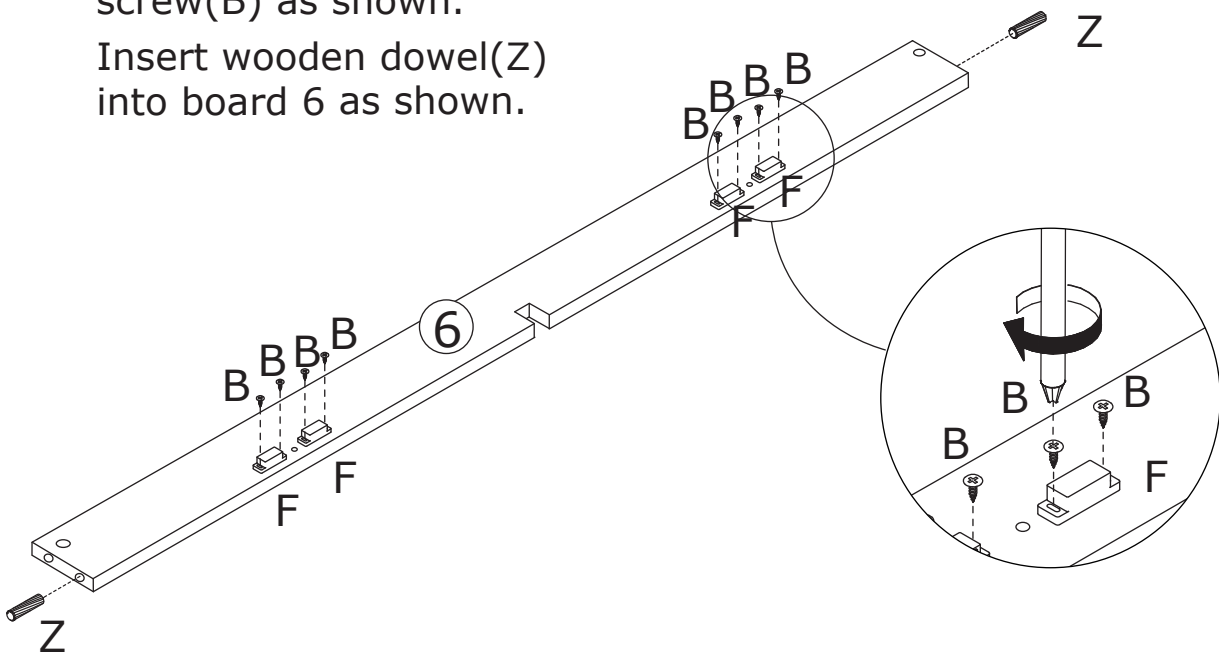


5



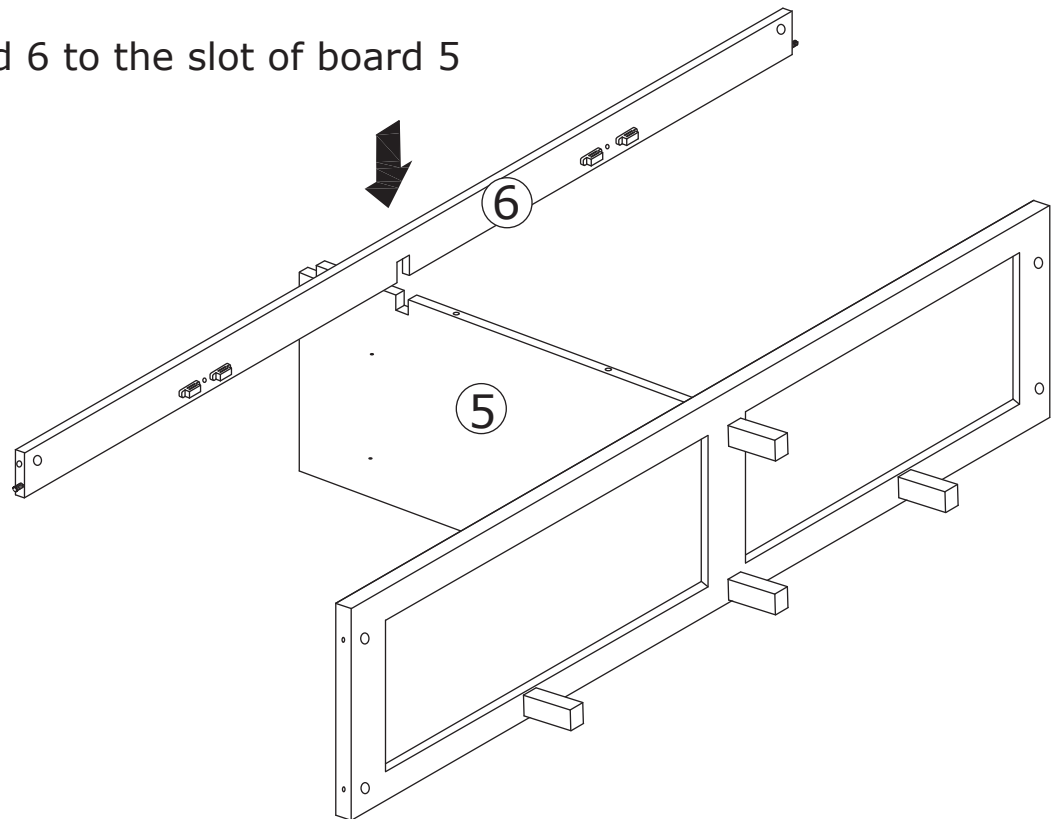
Fix part(F) to board 6 with screw(B) as shown.

Insert wooden dowel(Z) into board 6 as shown.

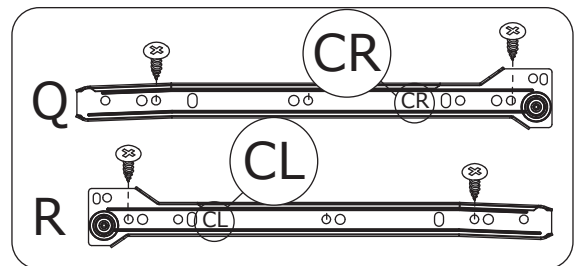
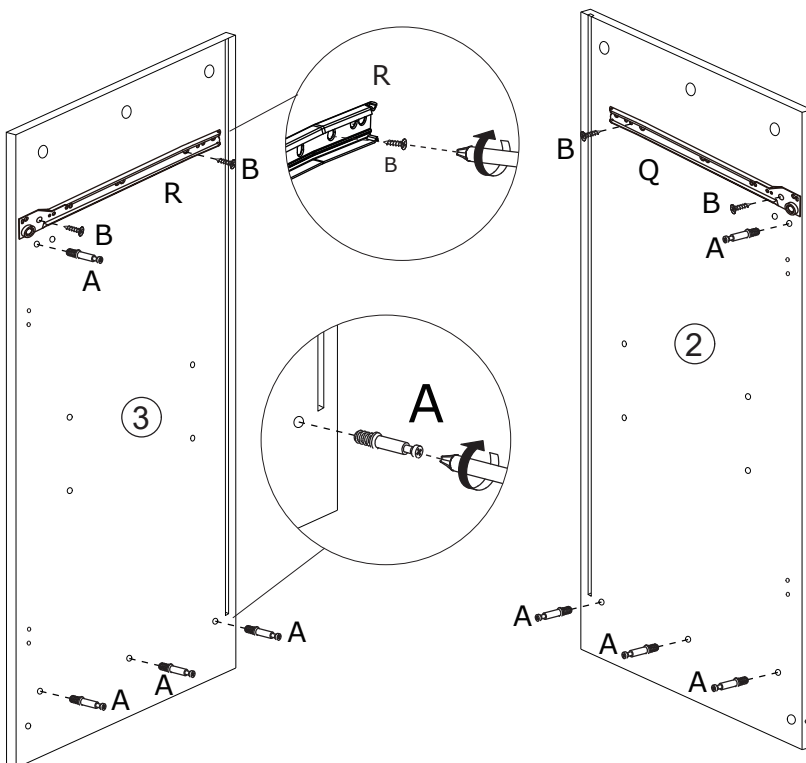
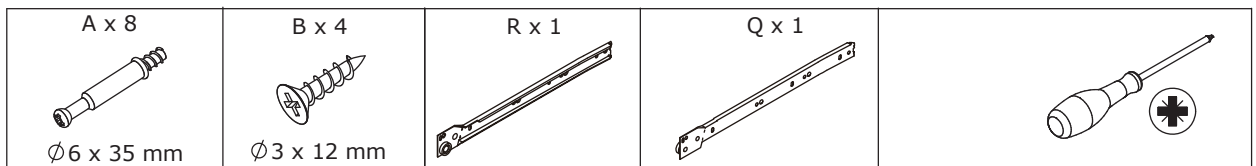


6

Embed board 6 to the slot of board 5 as shown.



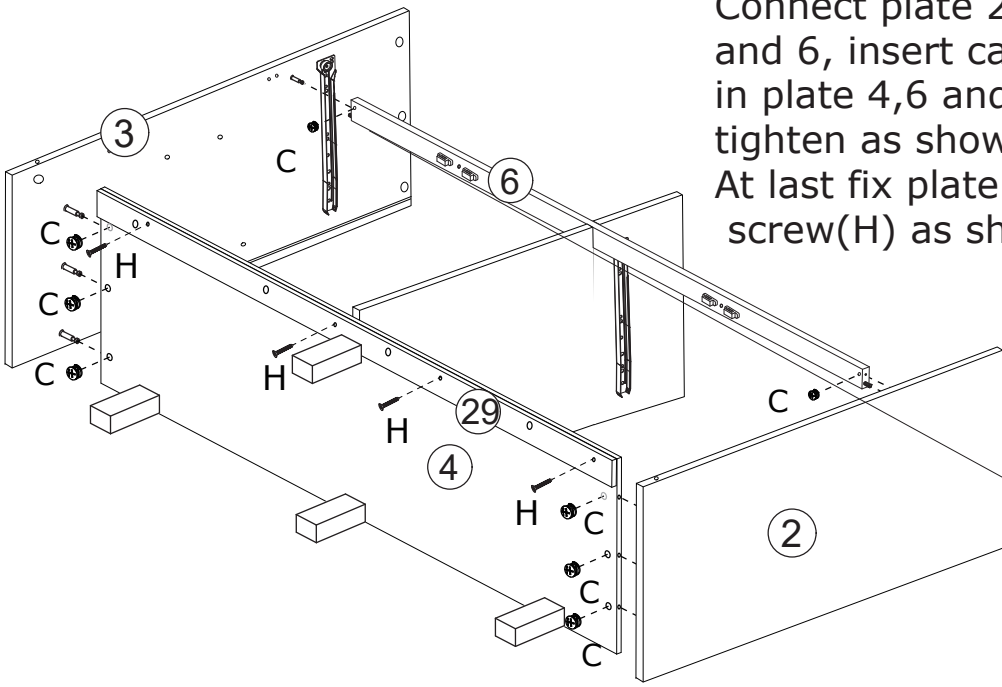
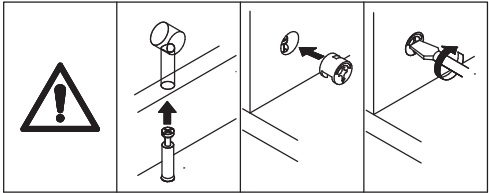
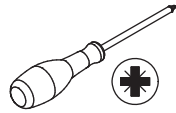
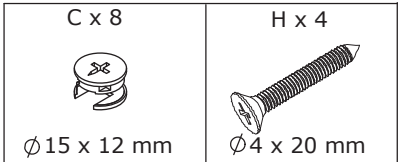
7



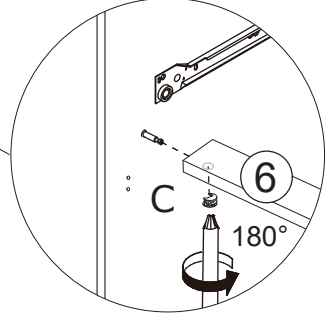
Insert quickfit screw(A) into corresponding holes in plate 2 and 3 with a screwdriver as shown.

Fix slide rail(Q) to plate 2 and fix slide rail(R) to plate 3 and using screw(B) as shown.

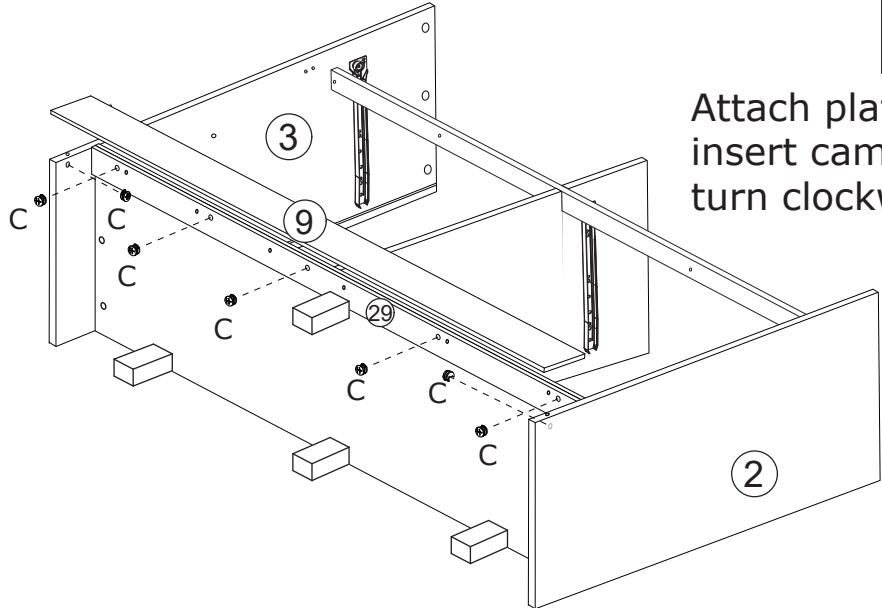
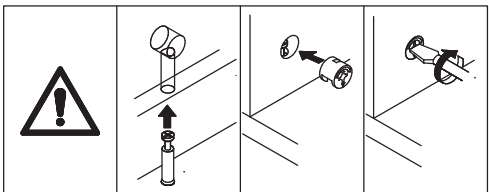
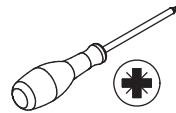
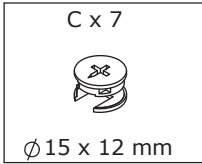
8



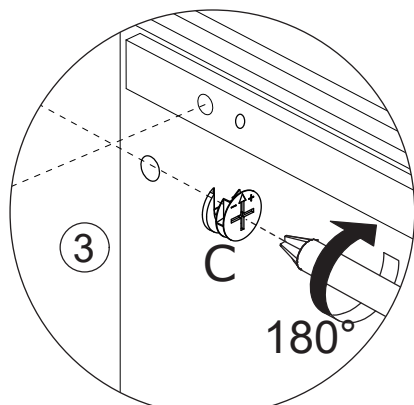
Connect plate 2 and 3 with plate 4 and 6, insert cam lock(C) into holes in plate 4,6 and turn clockwise to tighten as shown.
At last fix plate 29 to plate 4 with screw(H) as shown.



9



Attach plate 9 to plate 2, 29 and 3, insert cam lock(C) into holes and turn clockwise to tighten as shown.

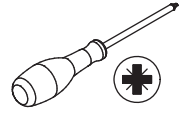


10

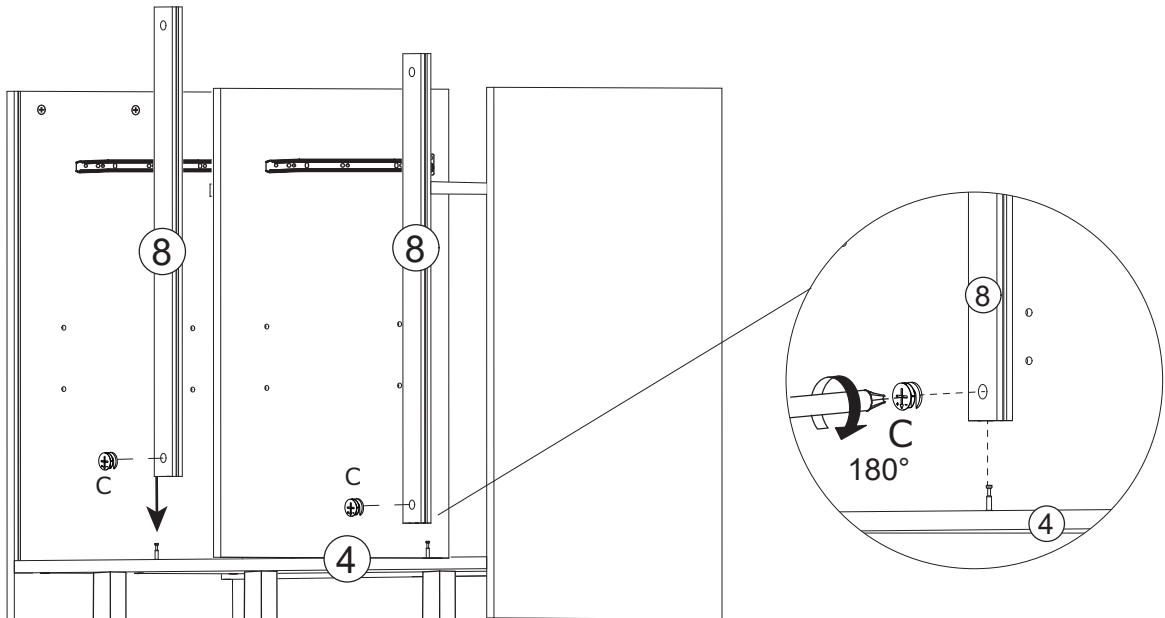
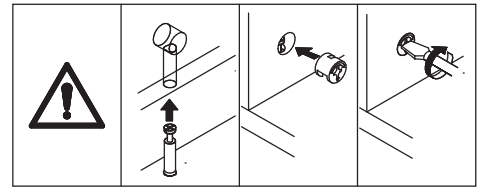
C x 2



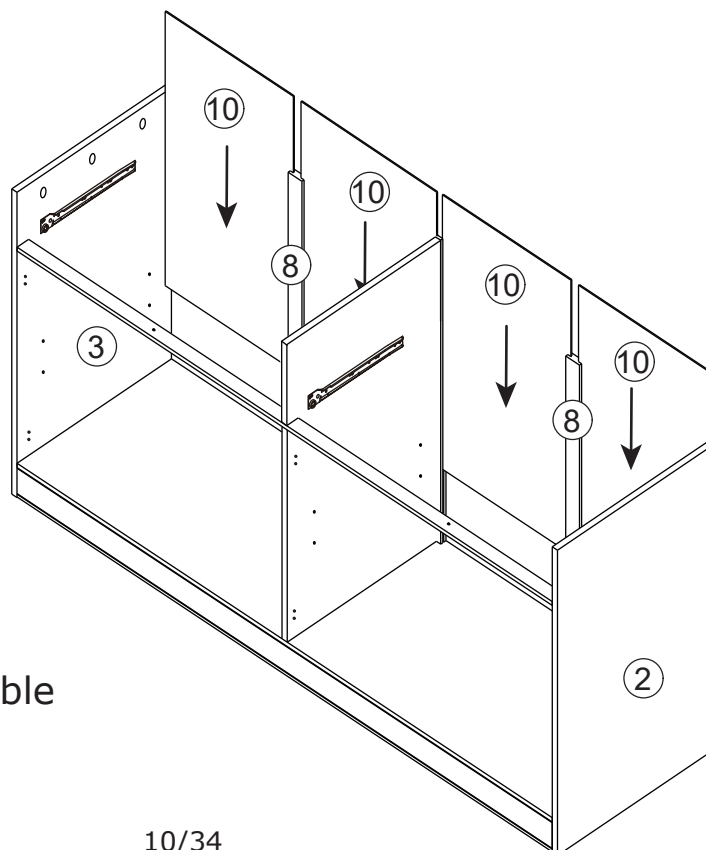
Ø15 x 12 mm



Attach plate 8 to plate 4, insert cam lock (C) into holes in plate 8 and turn clockwise to tighten as shown.

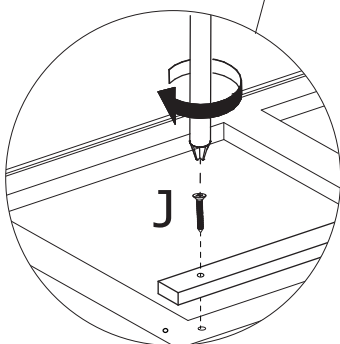
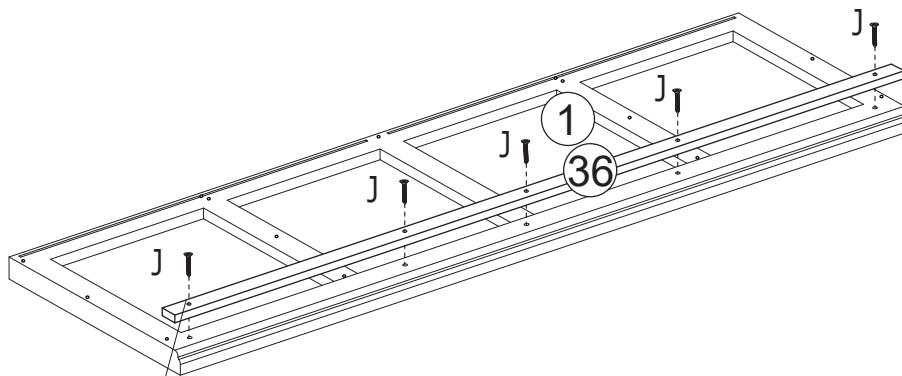
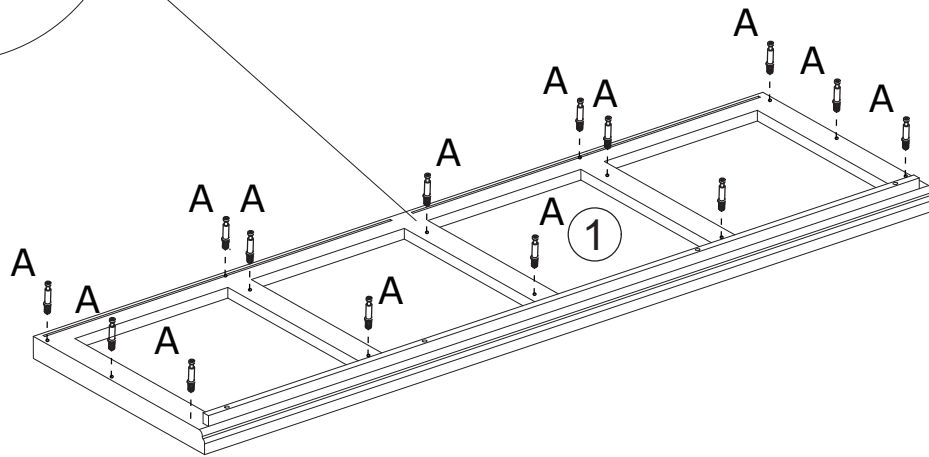
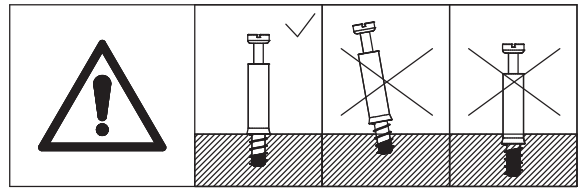
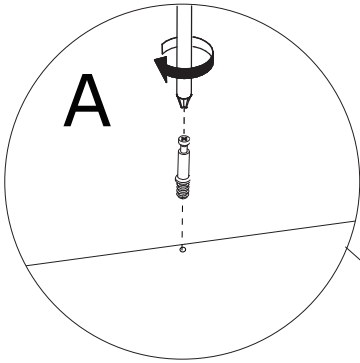
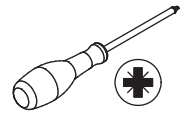
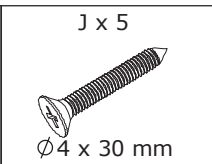
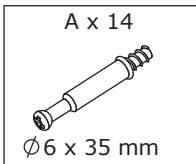


11



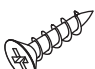
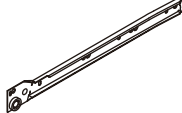
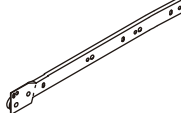

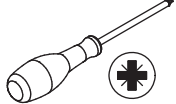
Slide plate 10 into available slots as shown.

12

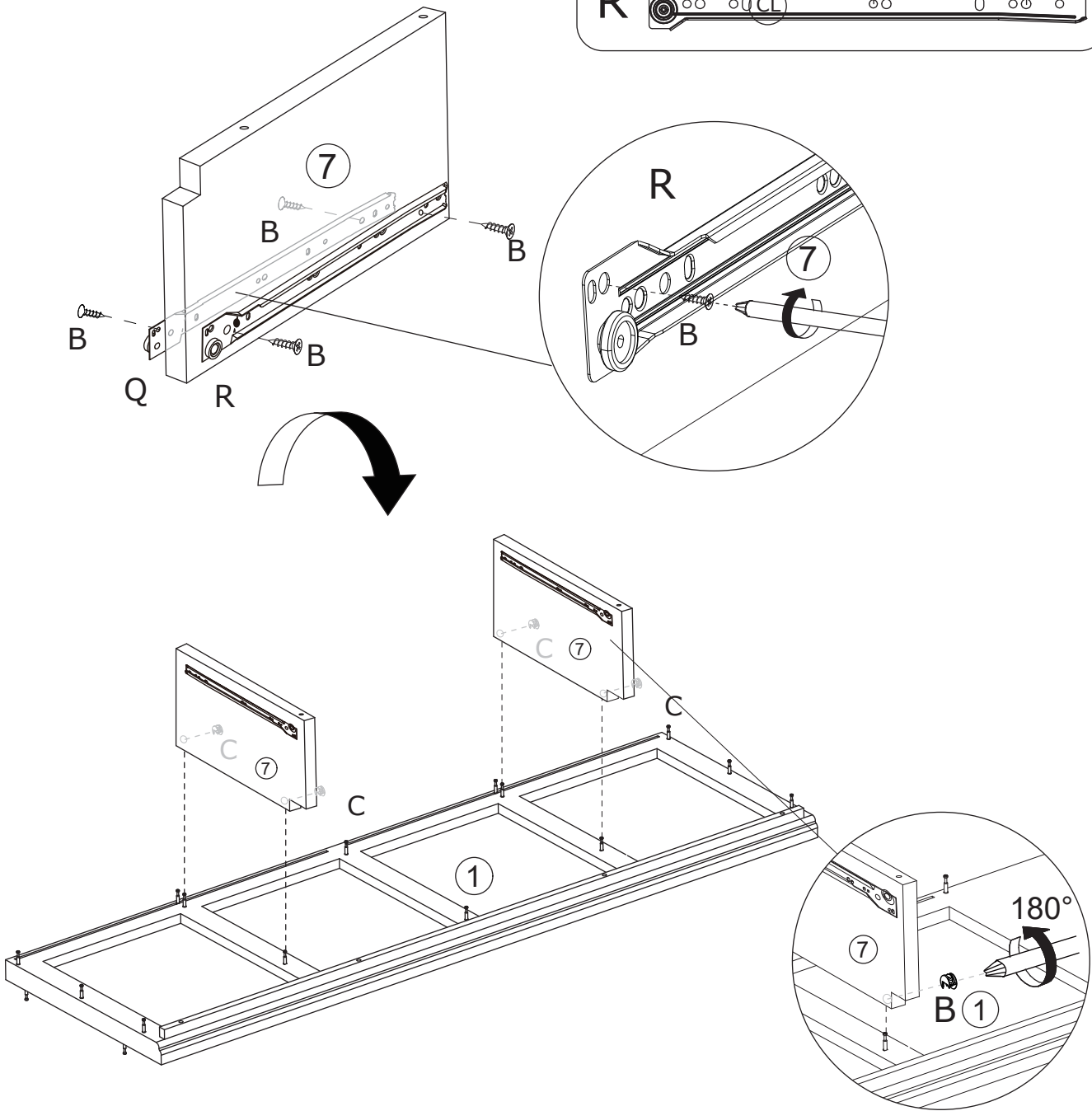
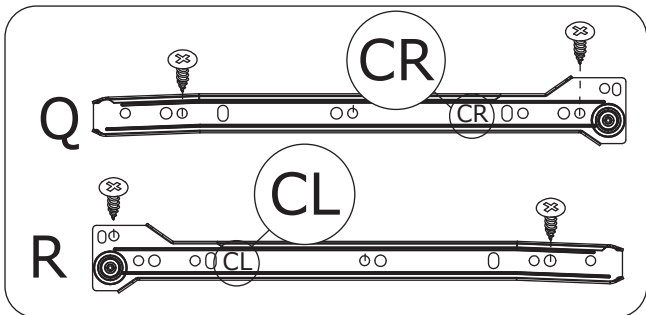


Fix plate 36 to plate 1 using screw(J) as shown. Insert quickfit screw(A) into corresponding holes in plate 1 with a screwdriver as shown.

13

<p>B x 8</p>  <p>Ø3 x 12 mm</p>	<p>R x 2</p> 	<p>Q x 2</p> 	<p>C x 4</p>  <p>Ø15 x 12 mm</p>	
--	--	--	---	---

Fix slide rail(Q) and rail(R) to plate 7(x2) using screw(B) as shown.



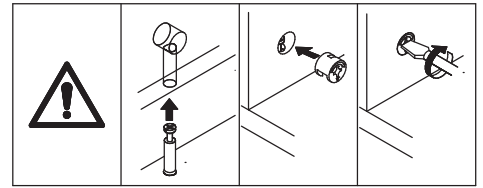
Attach plate 7 to plate 1, insert cam lock(C) into holes in plate 7 and turn clockwise to tighten as shown.

14

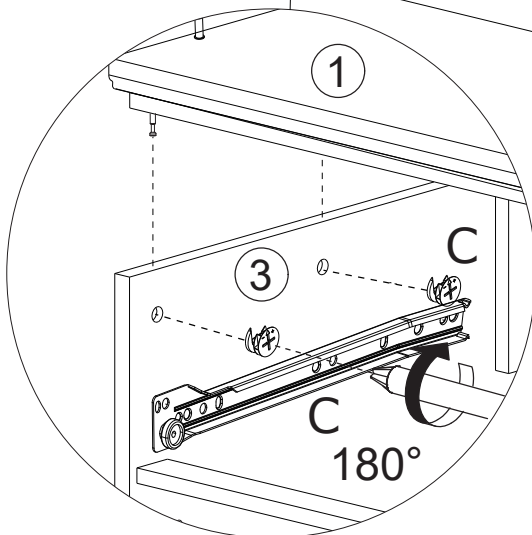
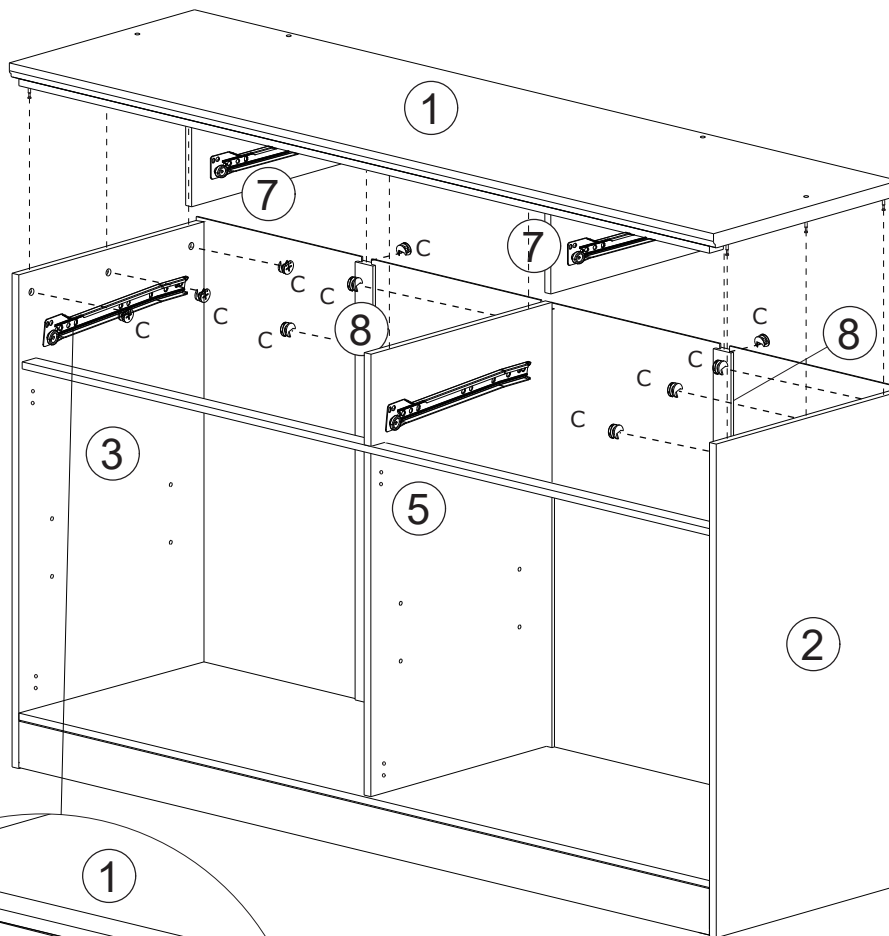
C x 10



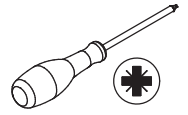
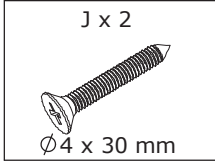
Ø15 x 12 mm



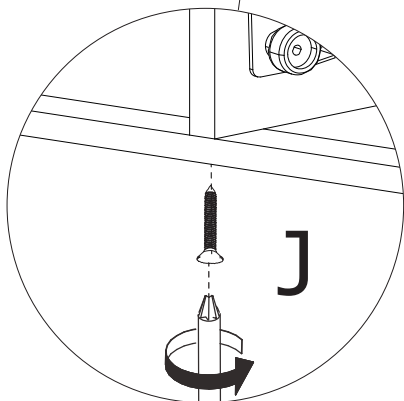
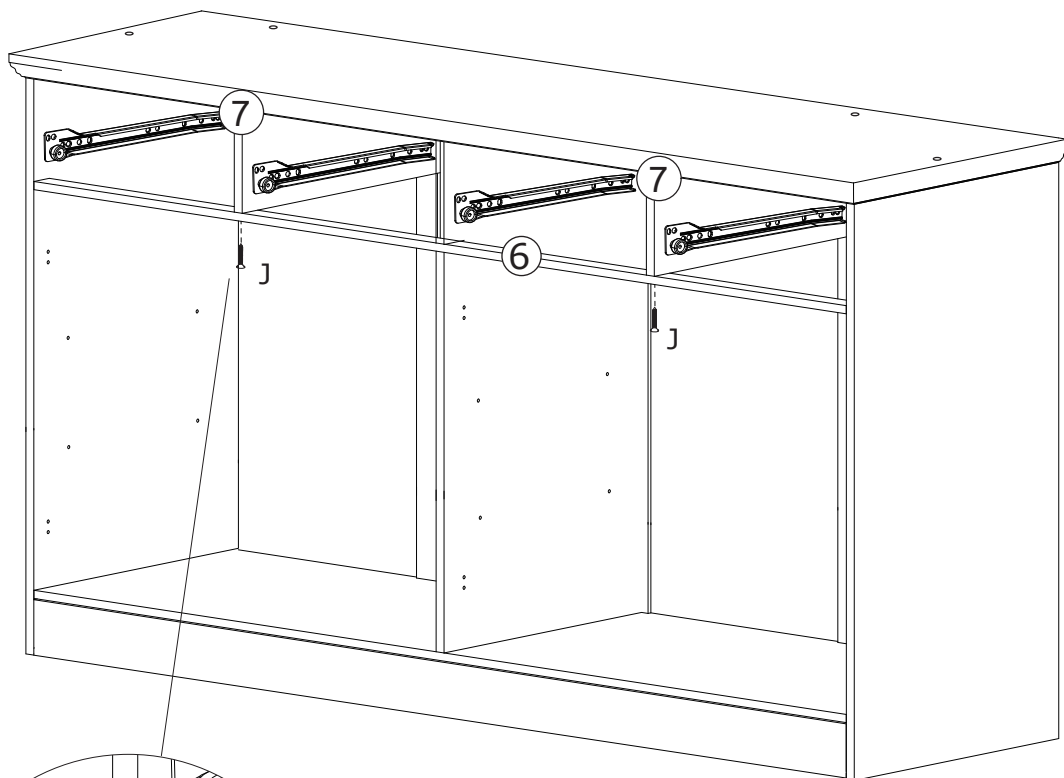
Cover plate 1 to the top of the component, insert cam lock (C) into holes in plate 3, 5, 2, 8 and turn clockwise to tighten as shown.



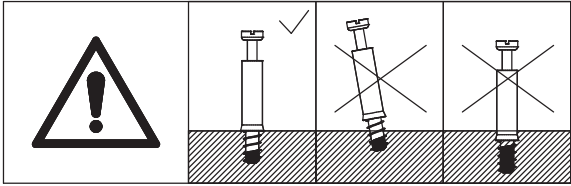
15



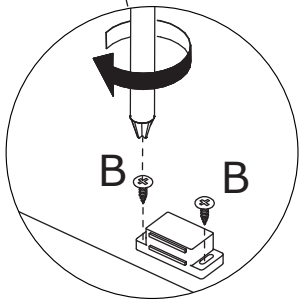
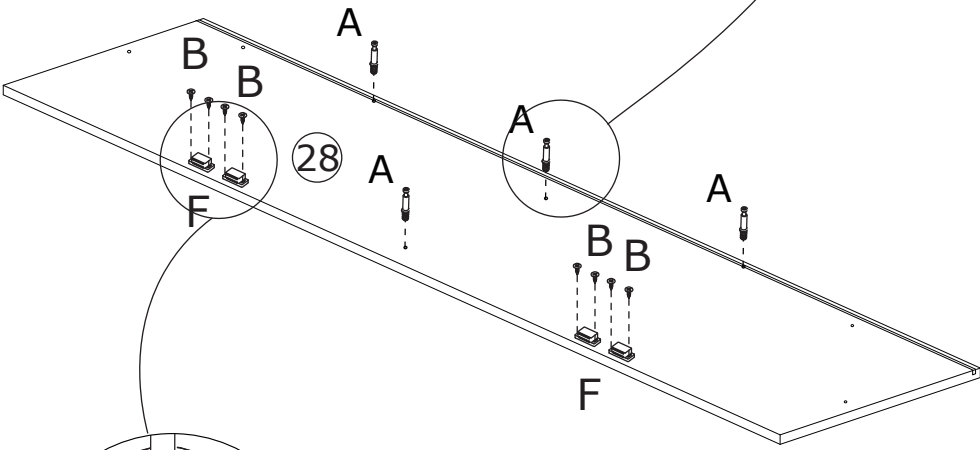
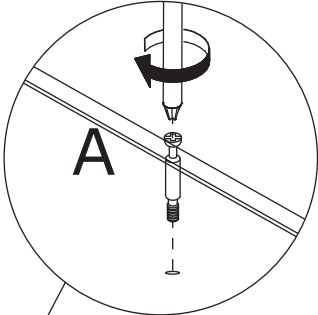
Fix plate 6 to plate 7 with screw(J) as shown.



16




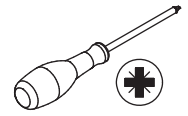
Screw eccentric rod(A) into board 28 with a screwdriver as shown.



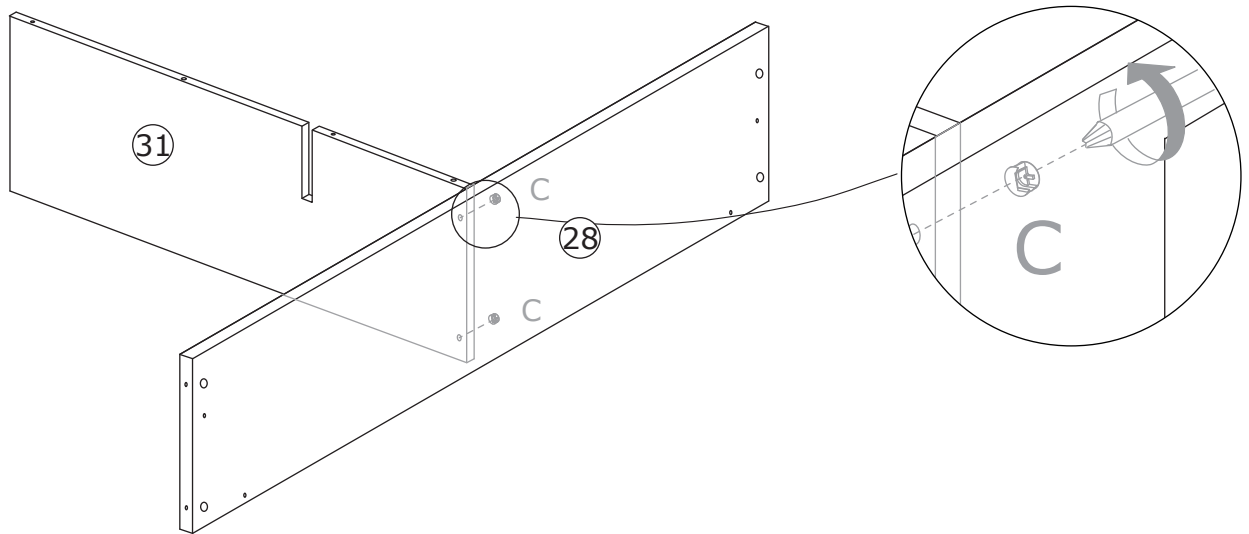
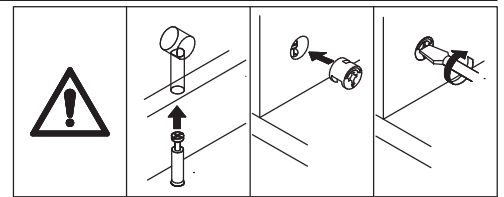
Fix part(F) to board 28 with screw(B) as shown.

17

C x 2

Ø15 x 12 mm

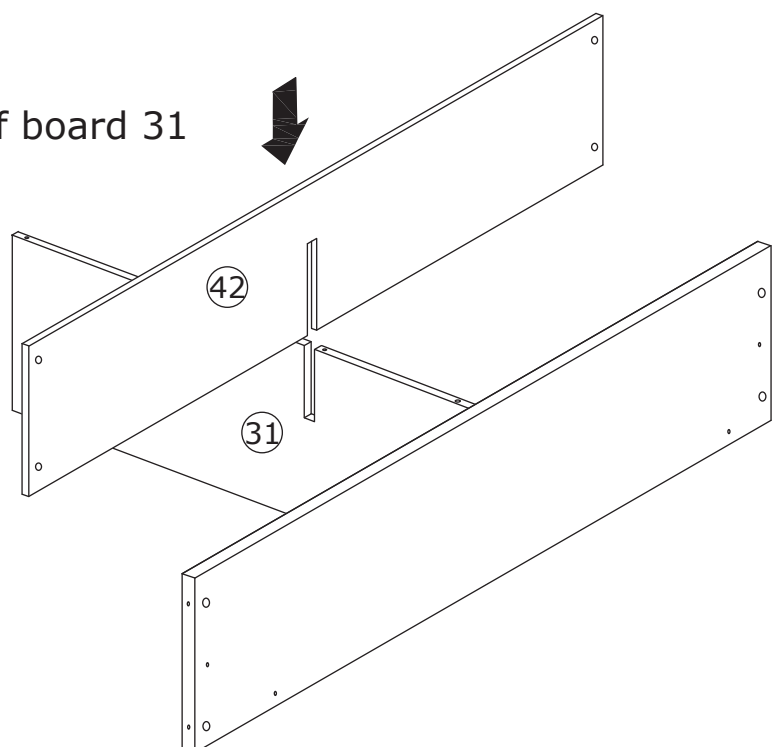


Attach board 31 to board 28, add cam lock(C) into board 31 and turn clockwise to tighten as shown.

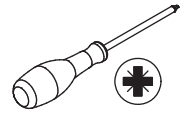
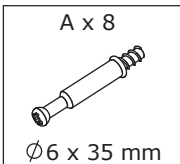


18

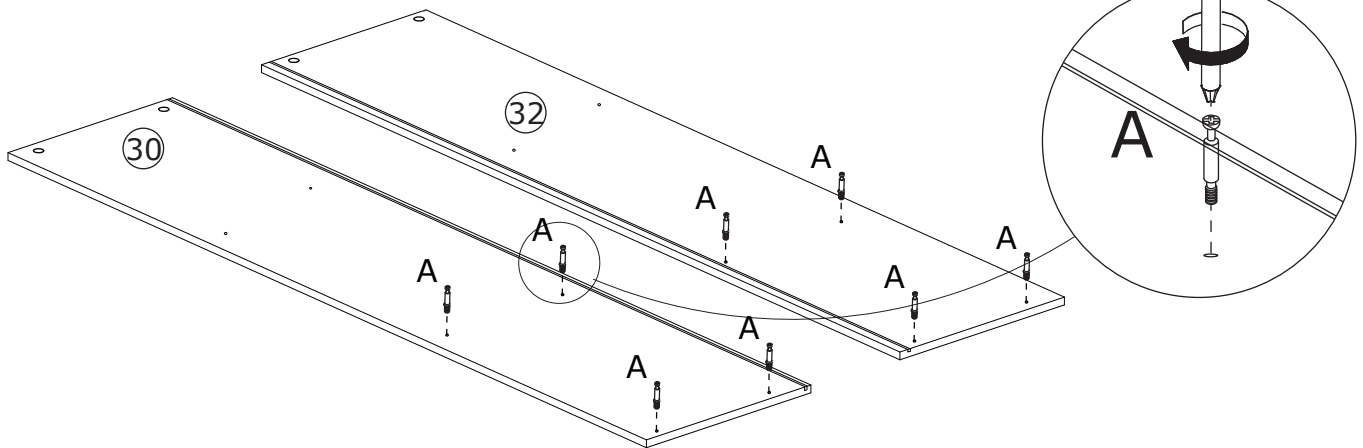
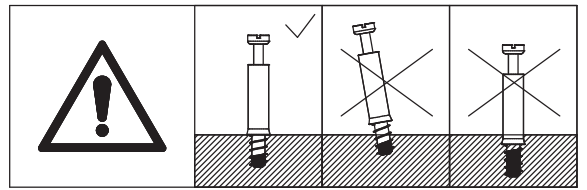
Embed board 42 to the slot of board 31 as shown.



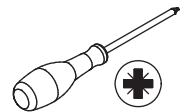
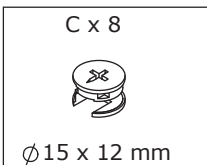
19



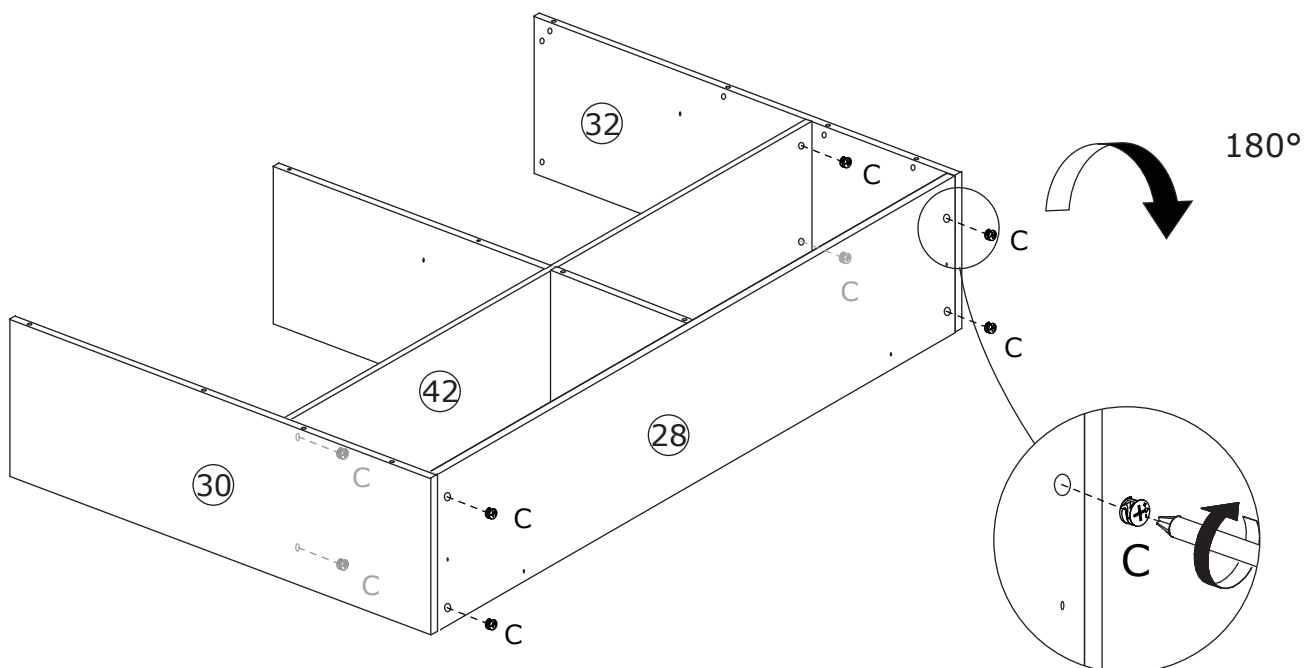
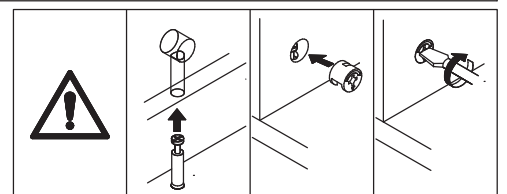
Screw eccentric rod(A) into board 30 and 32 with a screwdriver as shown.



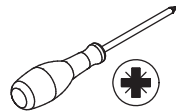
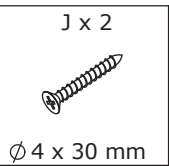
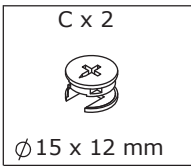
20



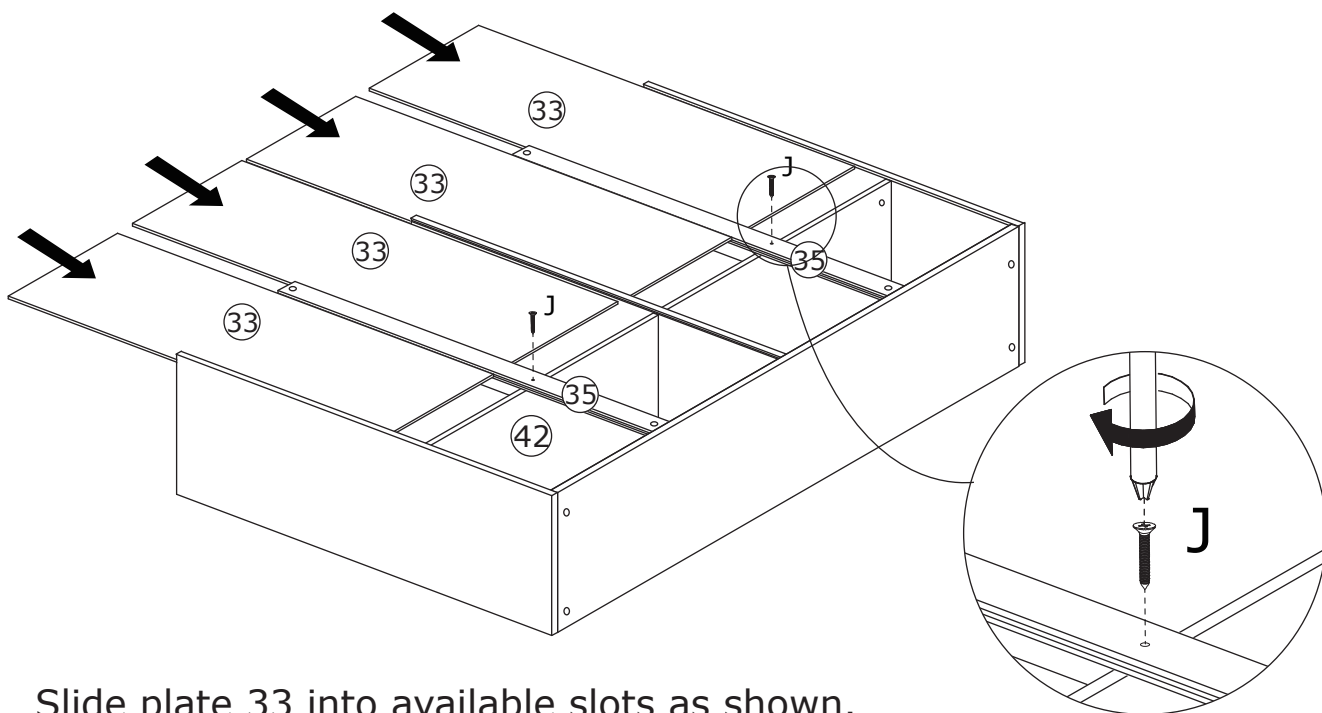
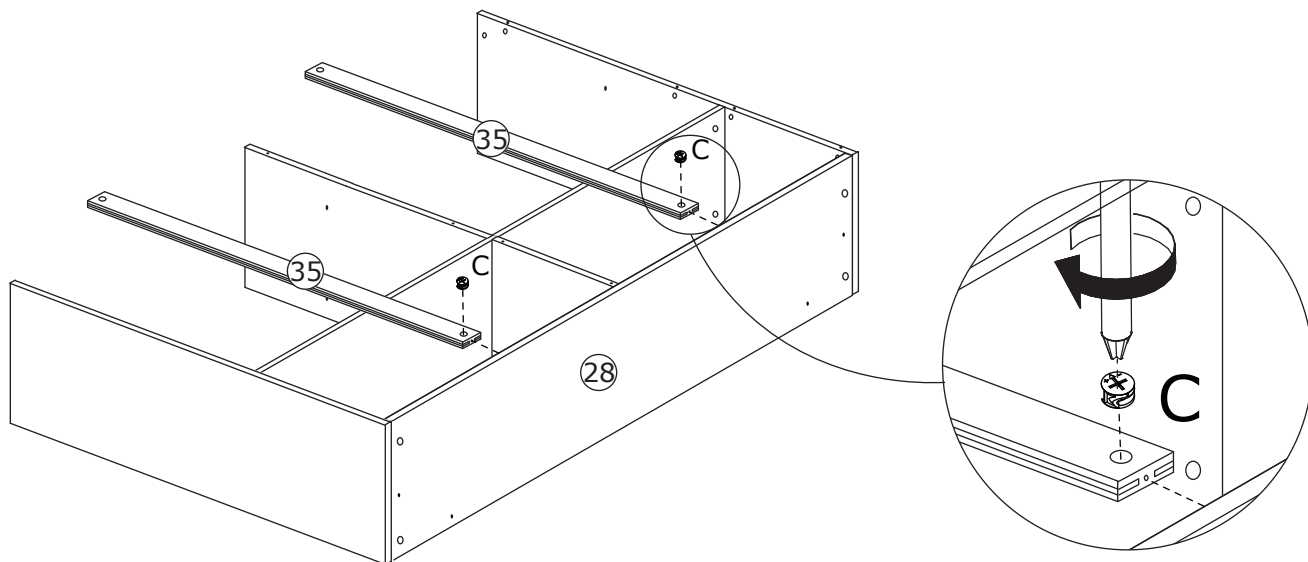
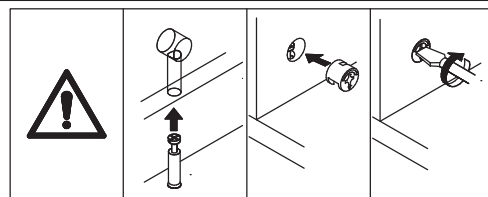
Attach board 28 and 42 to board 30 and 32, add cam lock(C) and turn clockwise to tighten as shown.



21

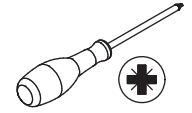
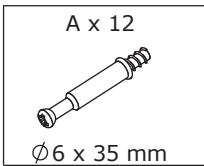


Attach plate 35 to plate 28, insert cam lock (C) into holes in plate 35 and turn clockwise to tighten as shown.

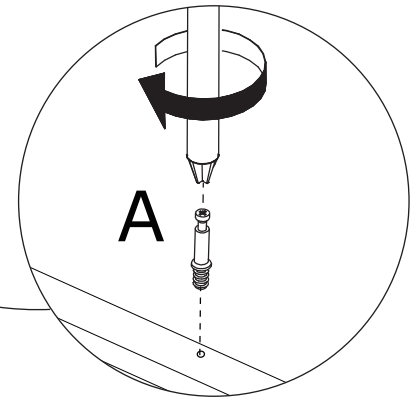
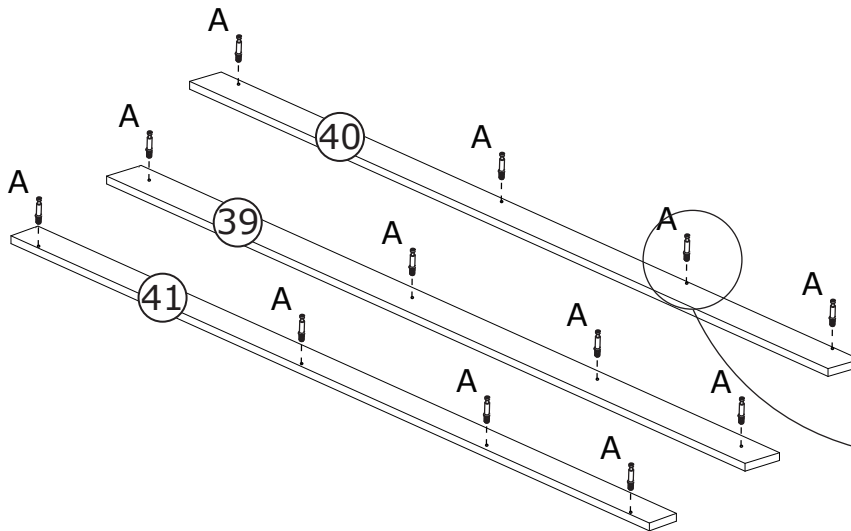
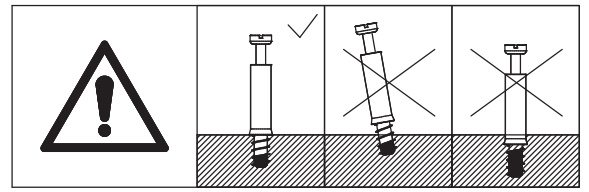


Slide plate 33 into available slots as shown.
Fix plate 35 to plate 42 with screw (J) as shown.

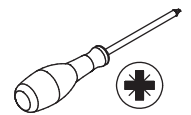
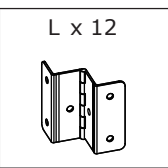
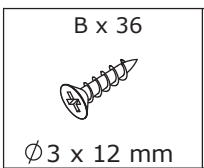
22



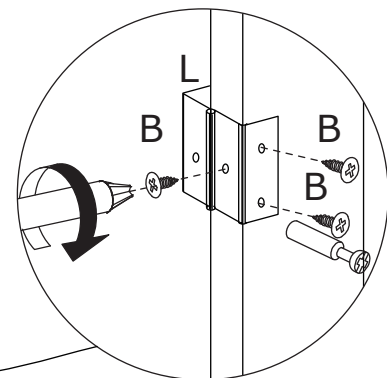
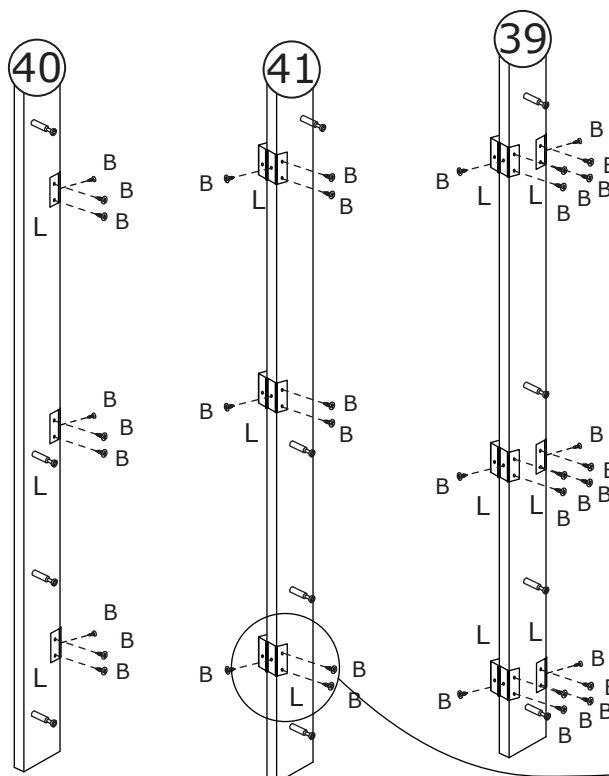
Screw eccentric rod(A) into board 39, 40 and 41 with a screwdriver as shown.



23



Fix hinge(L) to board 39, 40 and 41 with screw(B) as shown.

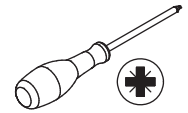


24

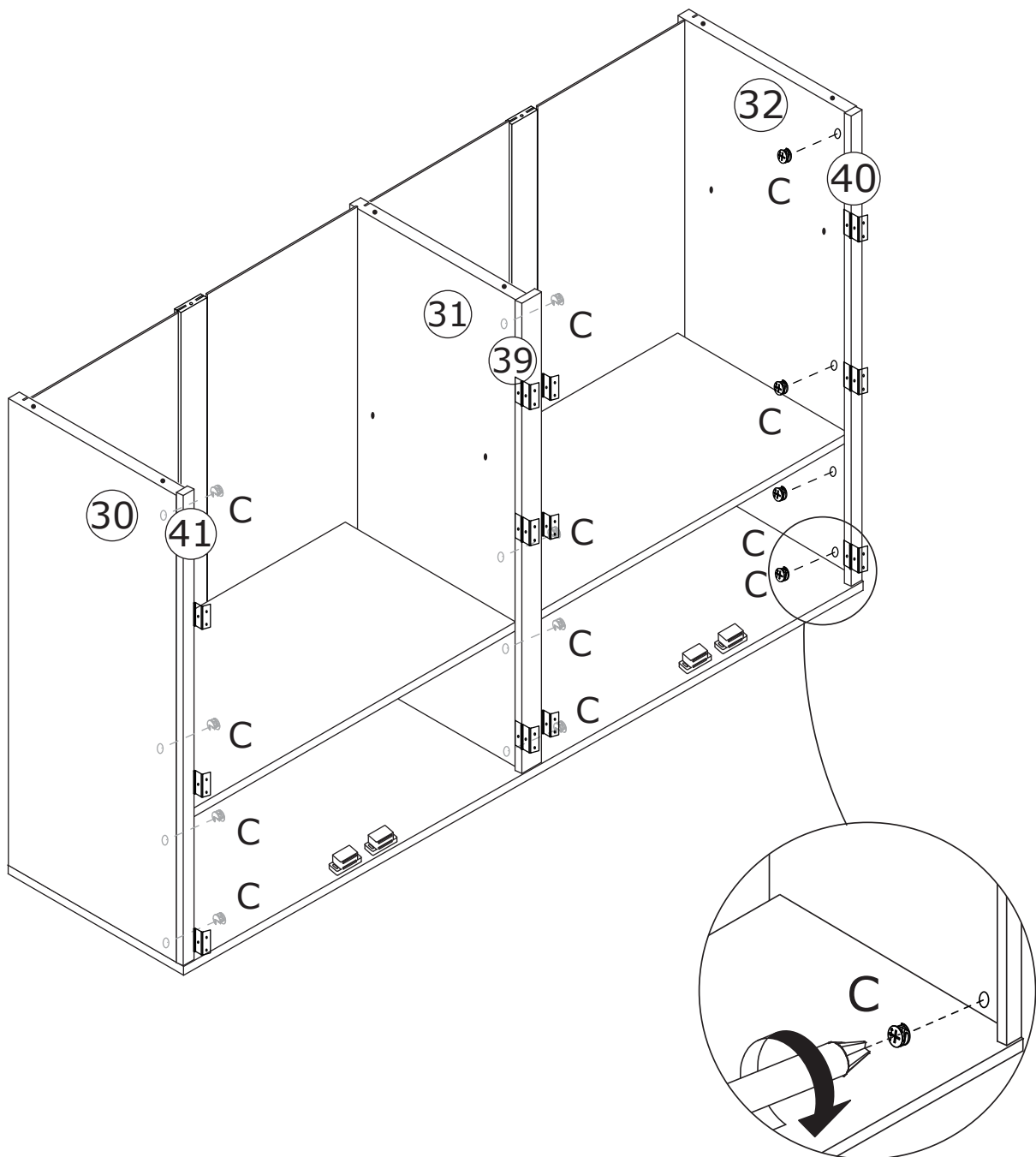
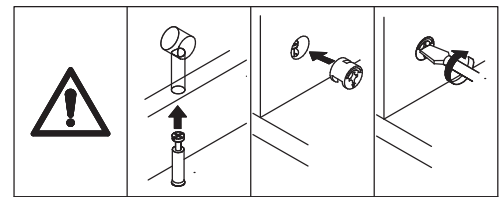
C x 12



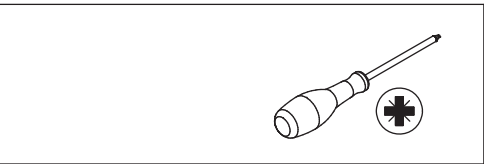
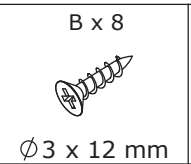
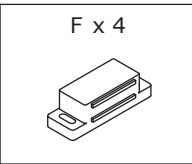
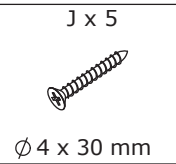
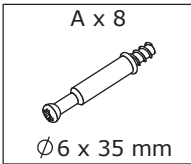
Ø15 x 12 mm



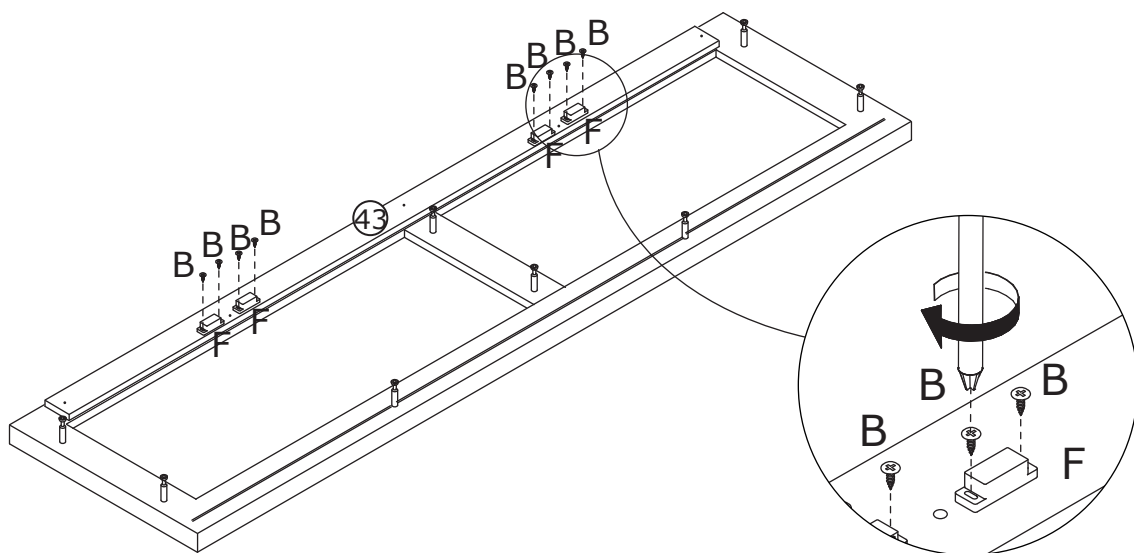
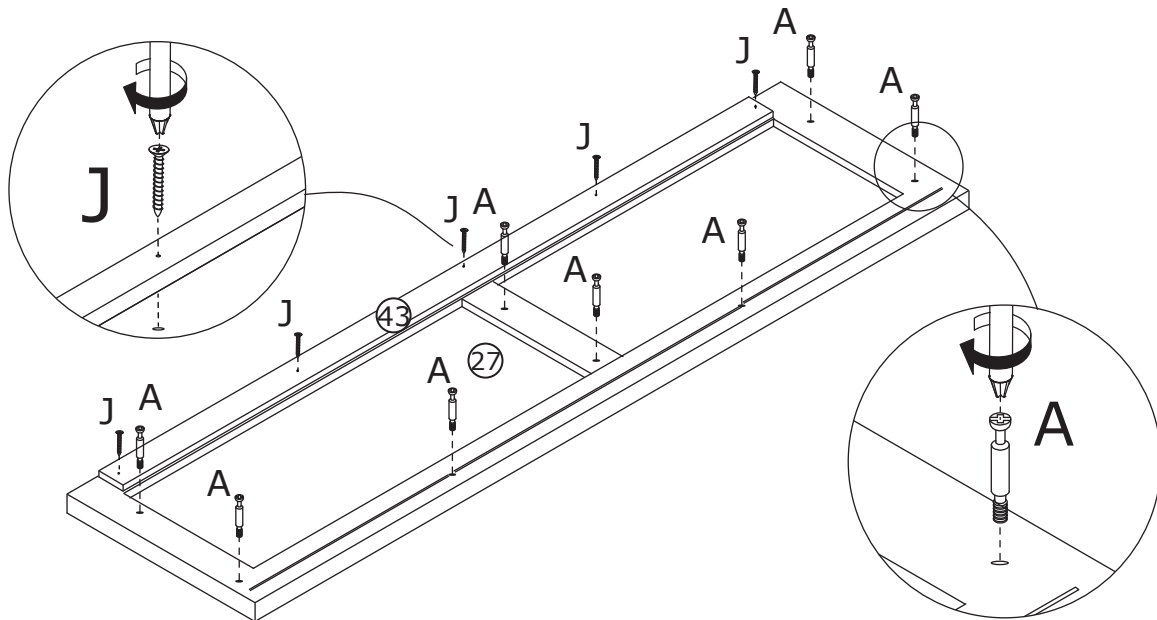
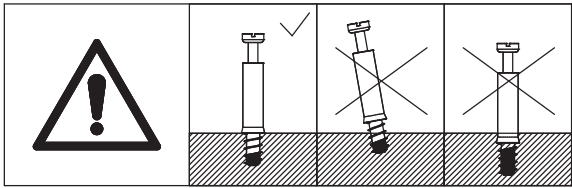
Attach plate 30, 31 and 32 to plate 39, 41 and 40 insert cam lock(C) into holes in plate 30, 31, 32 and turn clockwise to tighten as shown.



25



Screw eccentric rod(A) into board 27 with a screwdriver as shown.
Fix board 43 to board 27 using screw(J) as shown.



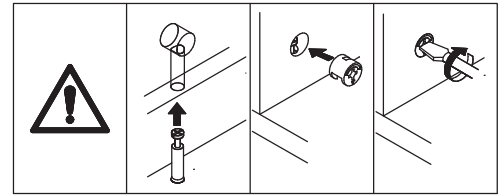
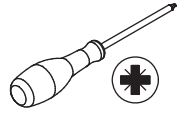
Fix part(F) to board 43 with screw(B) as shown.

26

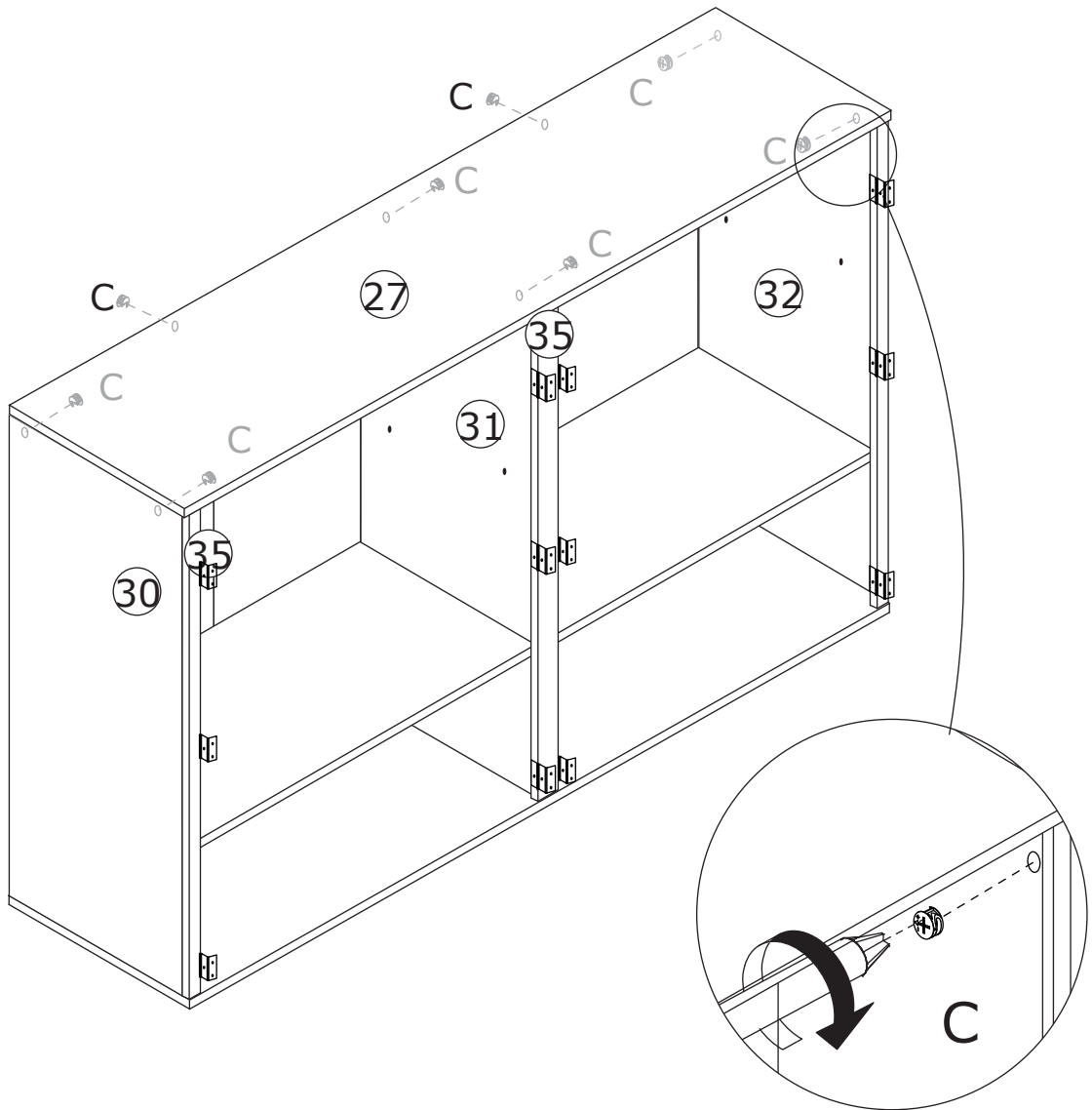
C x 8




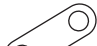


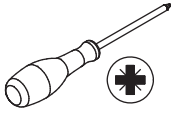
Ø15 x 12 mm



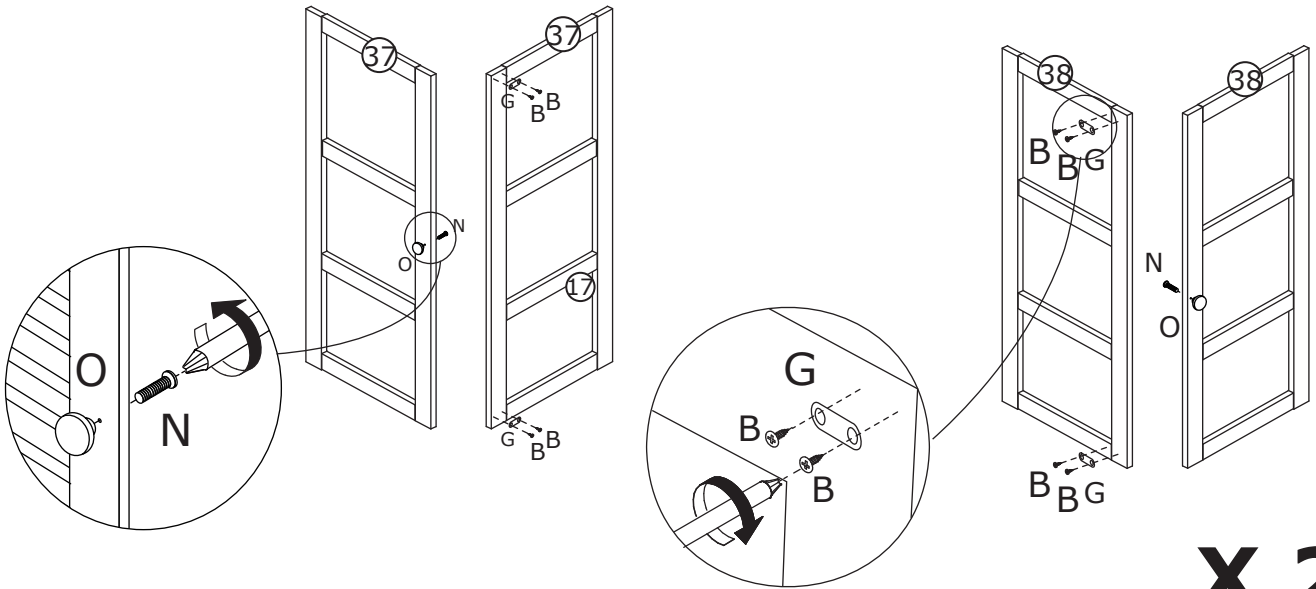
Cover plate 27 to the top of the component, insert cam lock(C) into holes in plate 30,31, 32,35 and turn clockwise to tighten as shown.



27

O x 4 	G x 8 4.5 cm 	N x 4  Ø 4 x 25 mm	B x 8  Ø 3 x 12 mm	
--	--	---	---	---

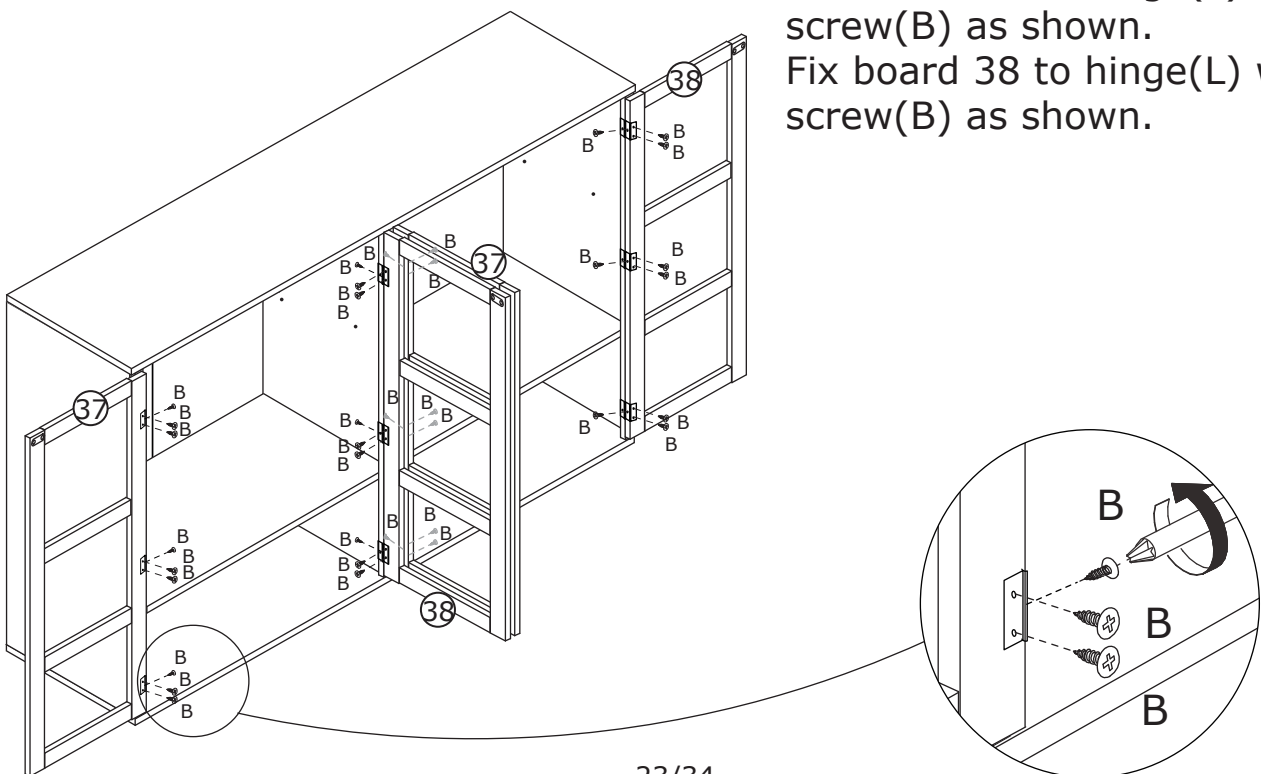
Fix knob(O) to board 37 and 38 with screw(N) as shown.
Fix part(G) to board 37 and 38 with screw(B) as shown.







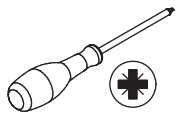
28

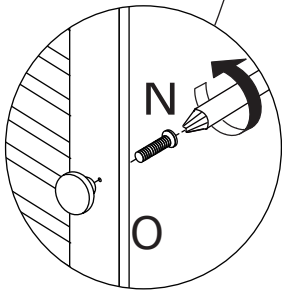
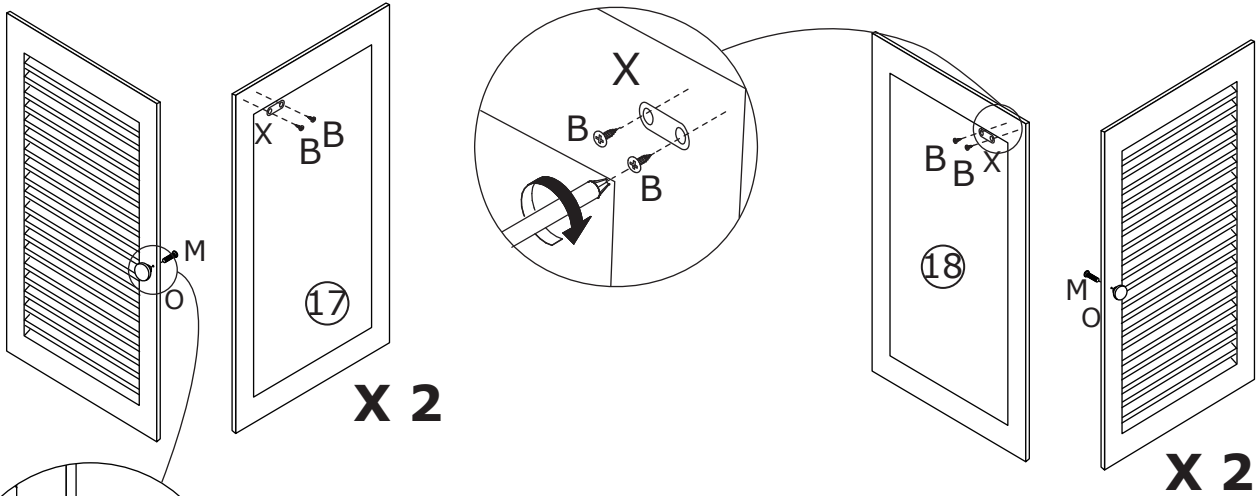
B x 36  Ø 3 x 12 mm	
--	---

Fix board 37 to hinge(L) with screw(B) as shown.
Fix board 38 to hinge(L) with screw(B) as shown.




29

O x 4 	X x 4 4 cm 	M x 4 $\varnothing 4 \times 28 \text{ mm}$ 	B x 8 $\varnothing 3 \times 12 \text{ mm}$ 	
--	--	--	--	---

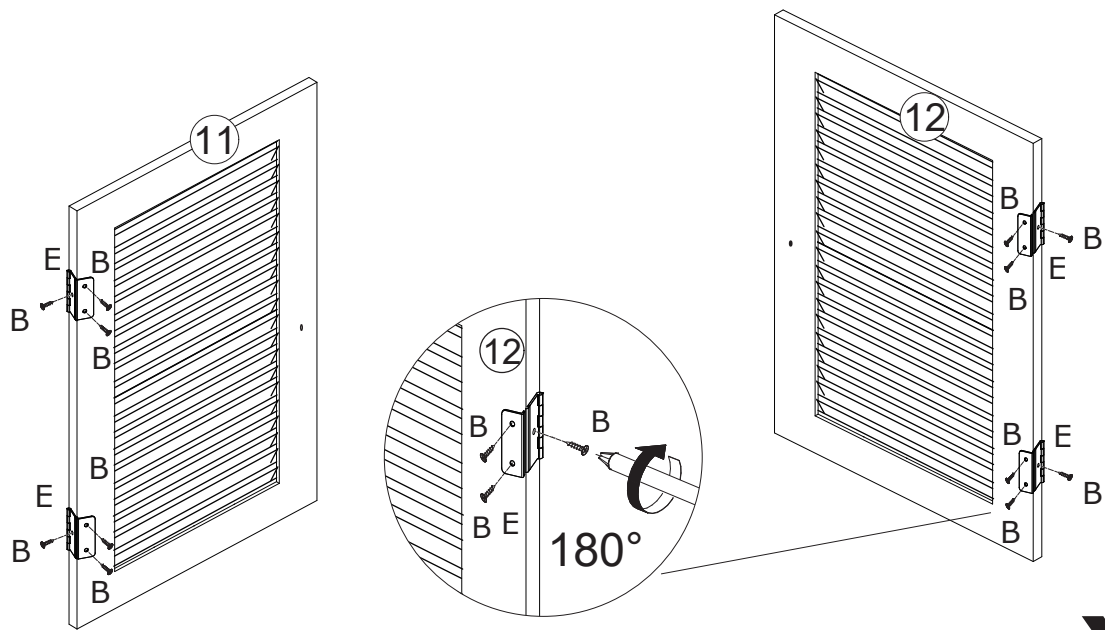


Fix knob(O) to board 17 and 18 with screw(M) as shown.
Fix part(X) to board 17 and 18 with screw(B) as shown.

30

B x 24 $\varnothing 3 \times 12 \text{ mm}$ 	E x 8 		
---	--	--	---

Fix hinge(E) to plate 11 and 12 with screw(B) as shown.



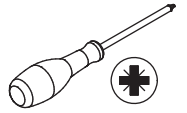
X 2

31

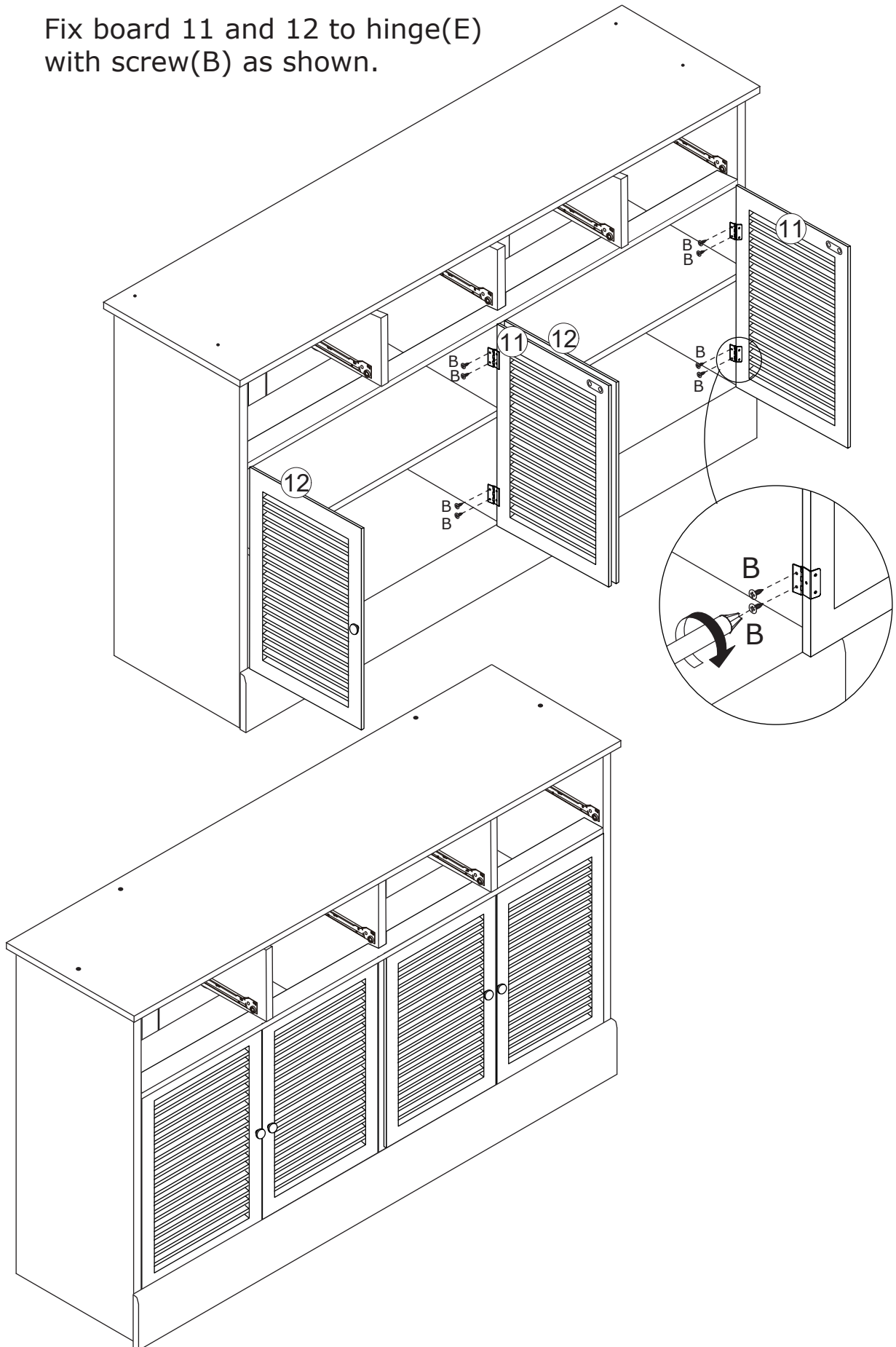
B x 16



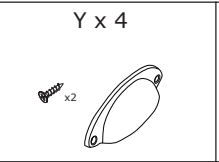
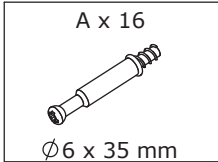
Ø 3 x 12 mm



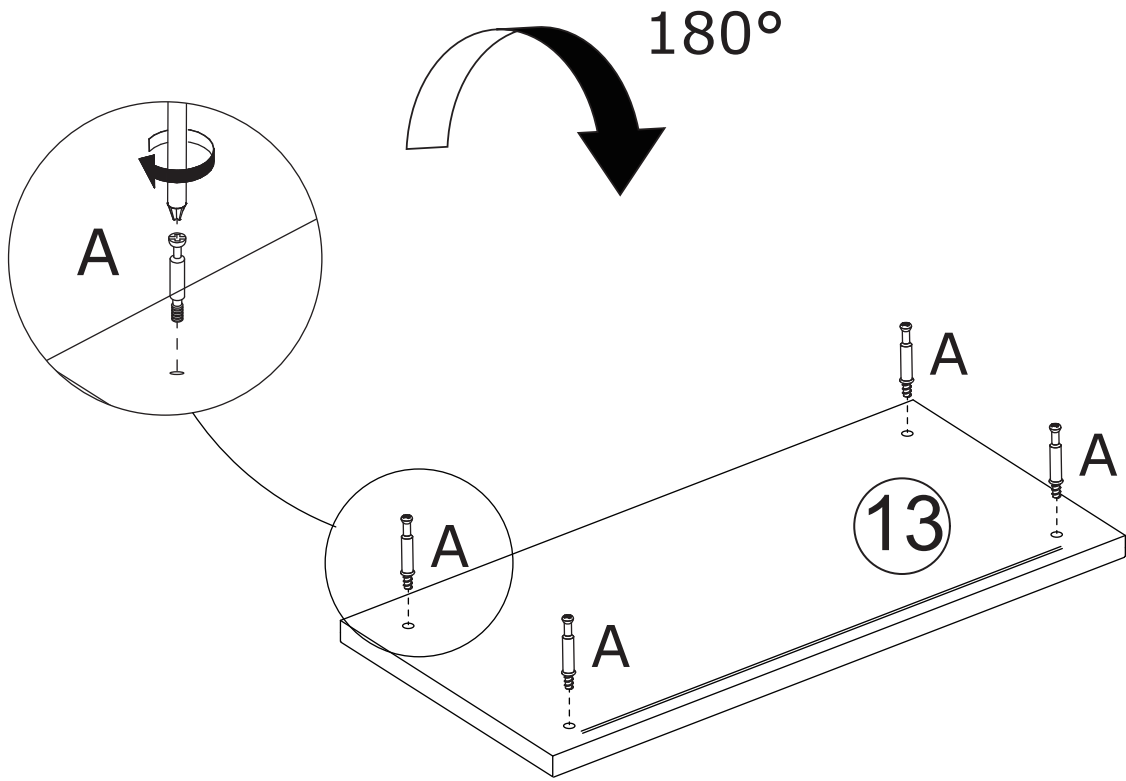
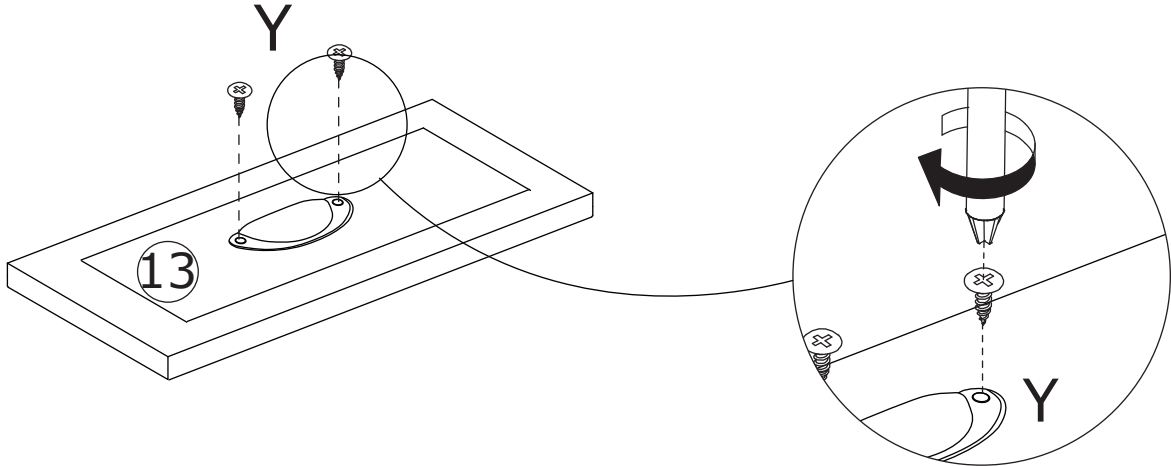
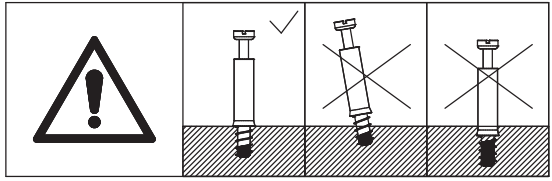
Fix board 11 and 12 to hinge(E)
with screw(B) as shown.



32

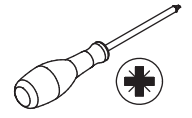


Fix handle(Y) to board 13 with screw as shown.
Screw eccentric rod(A) into board 13 with a screwdriver as shown.

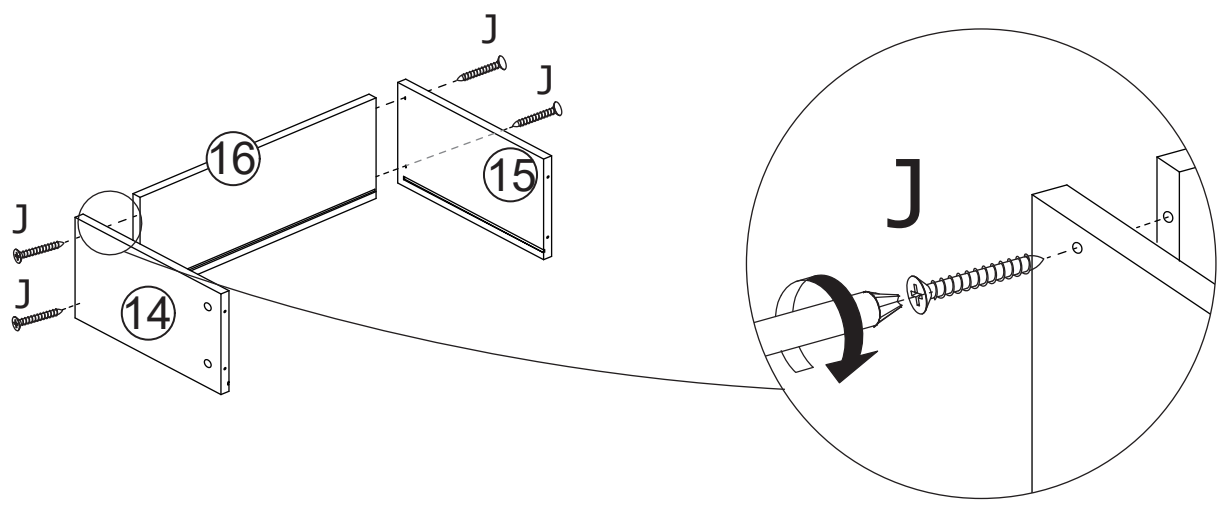


33

J x 16
Ø 4 x 30 mm



Fix board 14 and 15 to board 16 with screw(J) as shown.

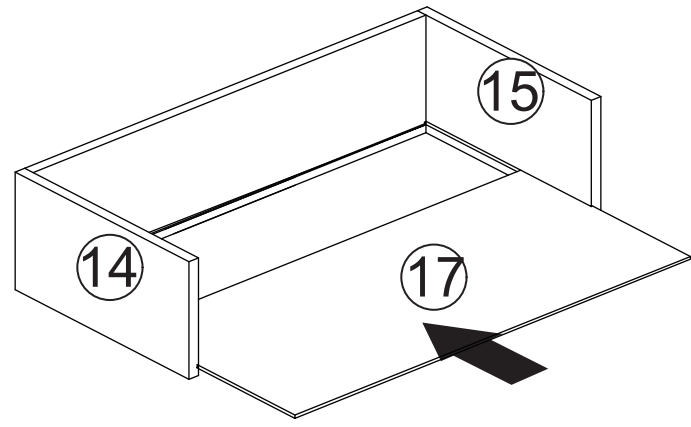


x 4

34

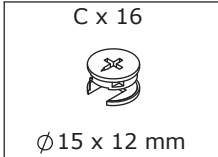


Insert board 17 along grooves as shown.

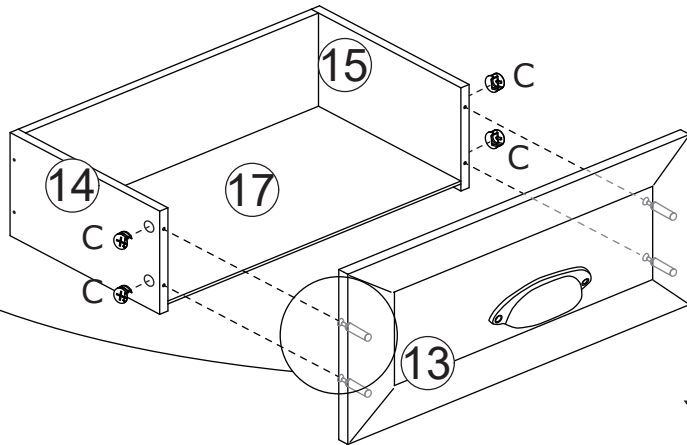
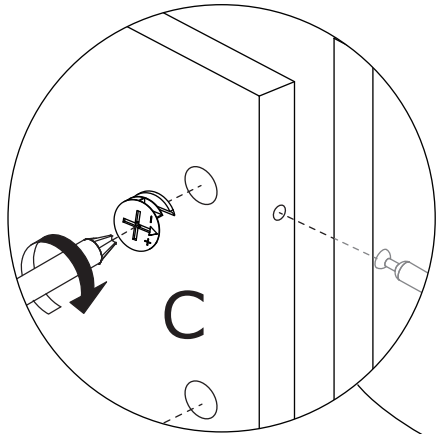
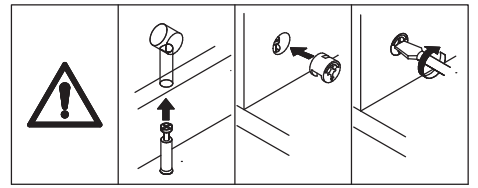


x 4

35

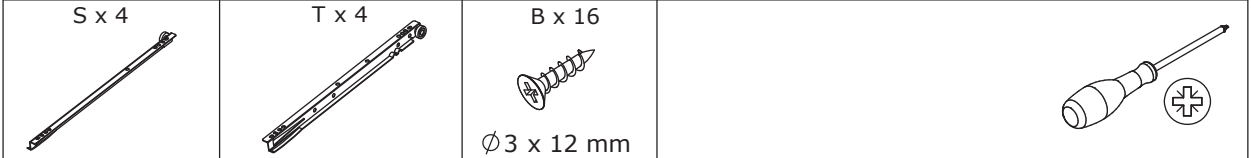


Attach board 13 to board 14 and 15, add cam lock(C) and turn clockwise to tighten as shown.

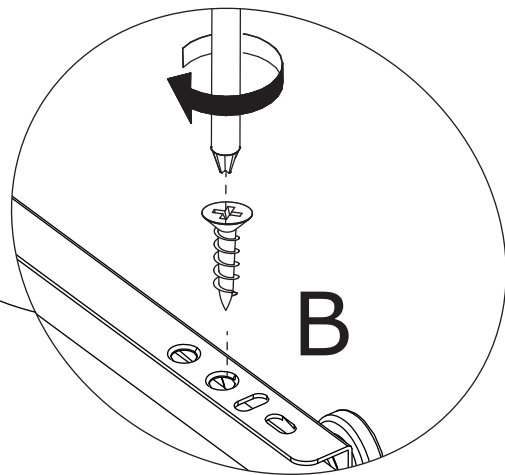
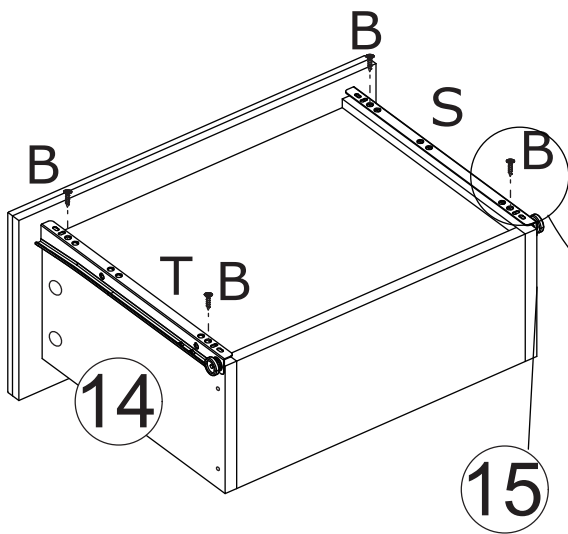


x 4

36

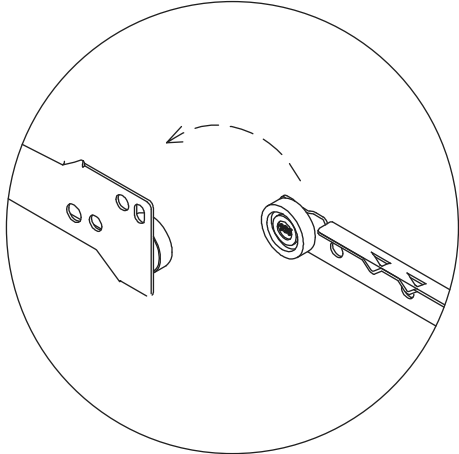
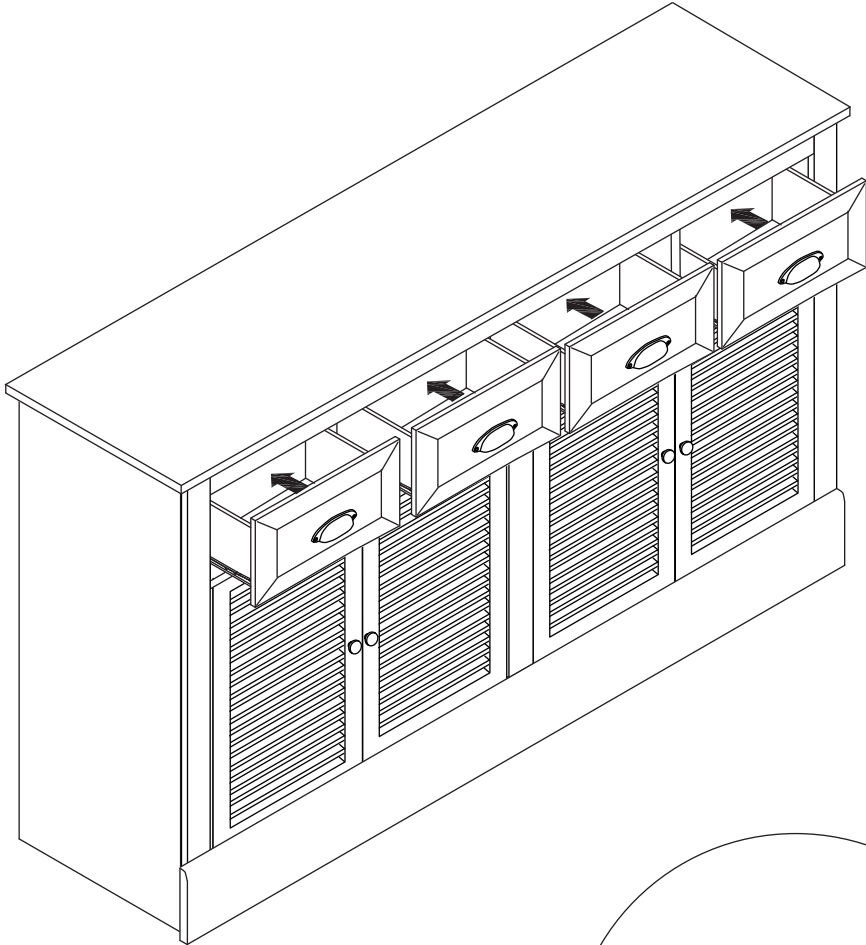


Fix runner(S) and (T) to board 15 and 14 with screw(B) as shown.

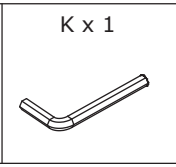
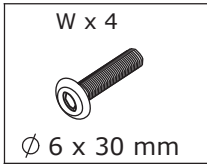


x 4

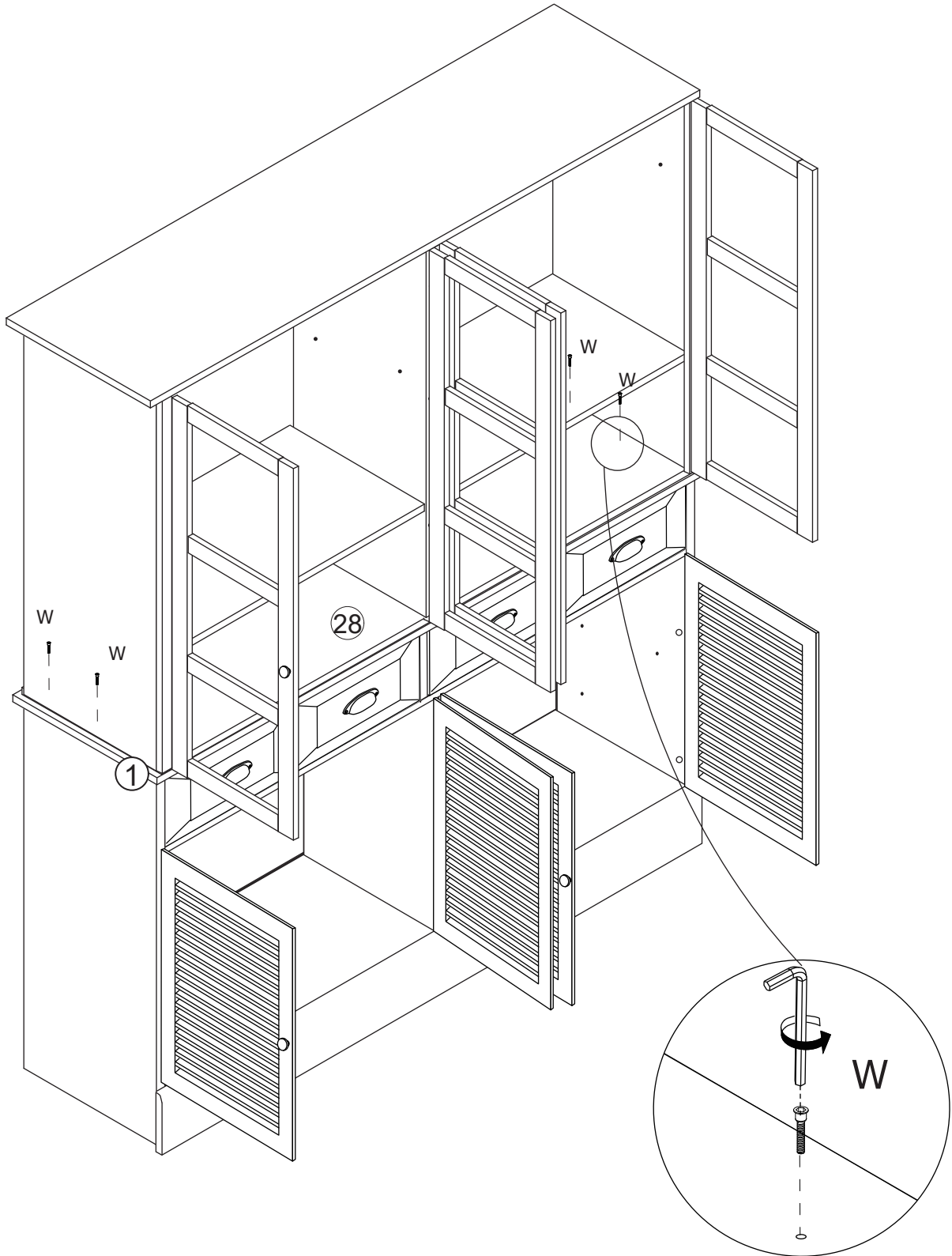
37



38

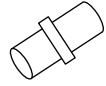


Fix board 28 to board 1 with screw(W) as shown.



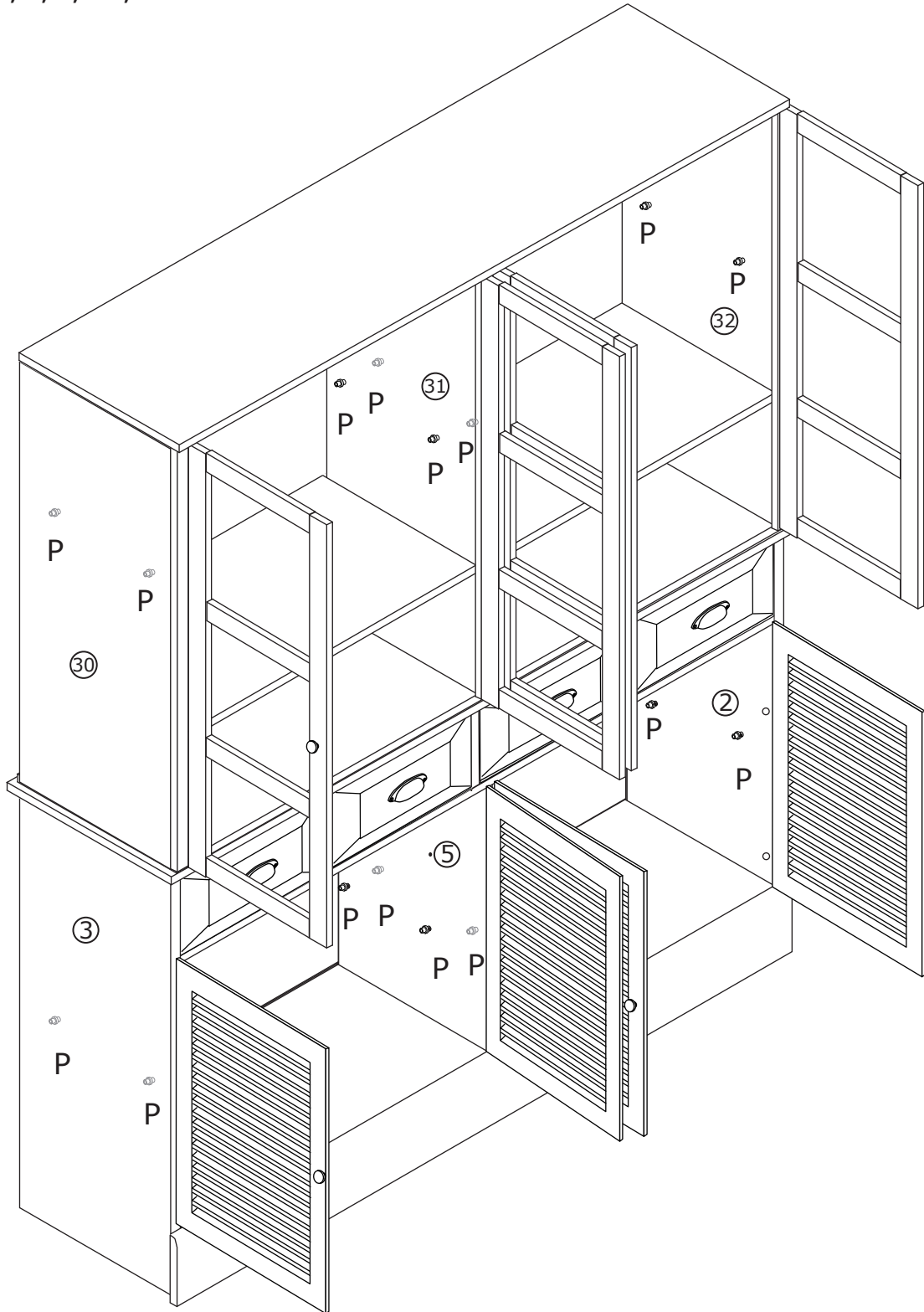
39

P x 16



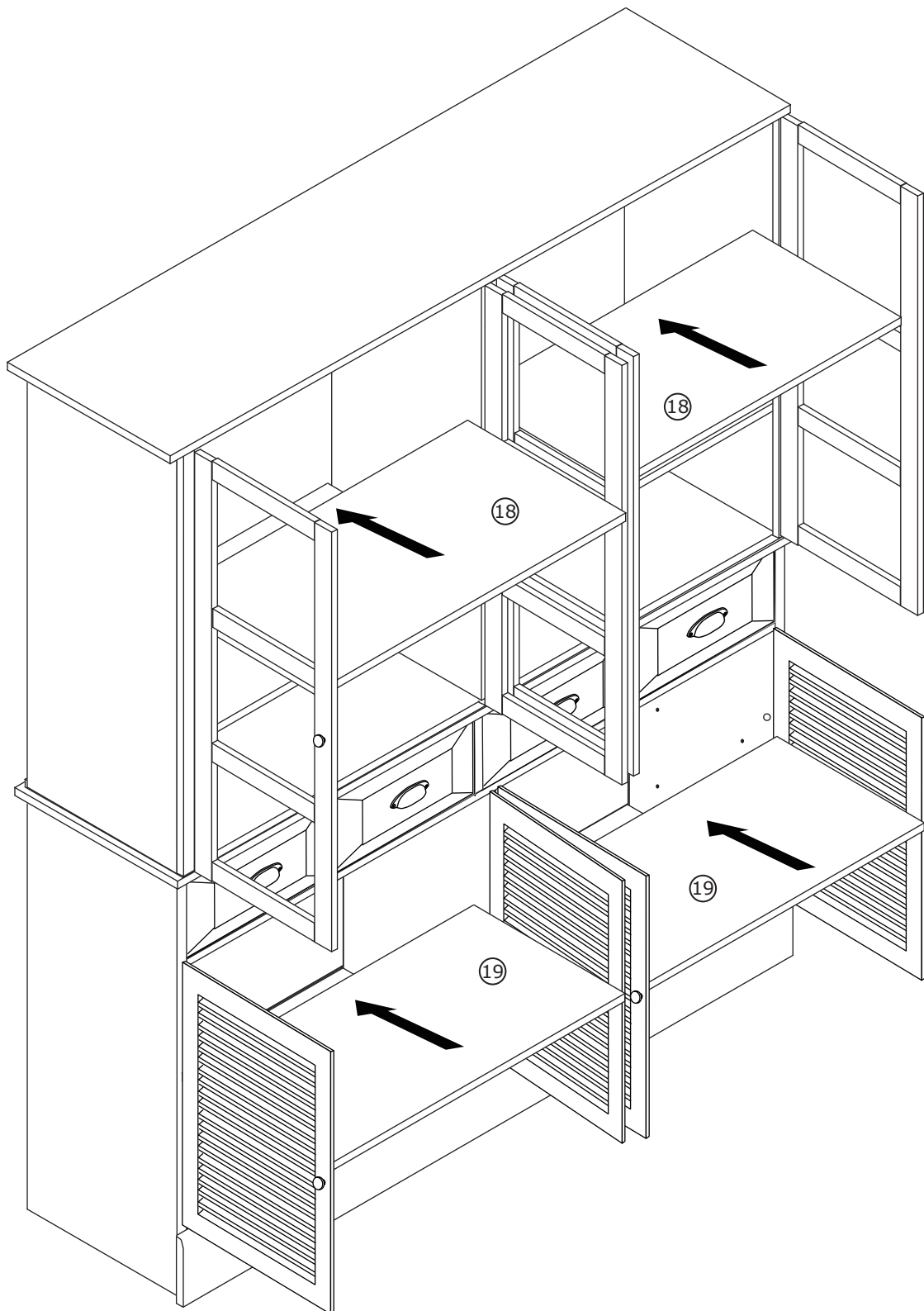
∅5 x 10 mm

Insert part(P) into the holes in plate 3,2,5,30,31 and 32 at first.



40

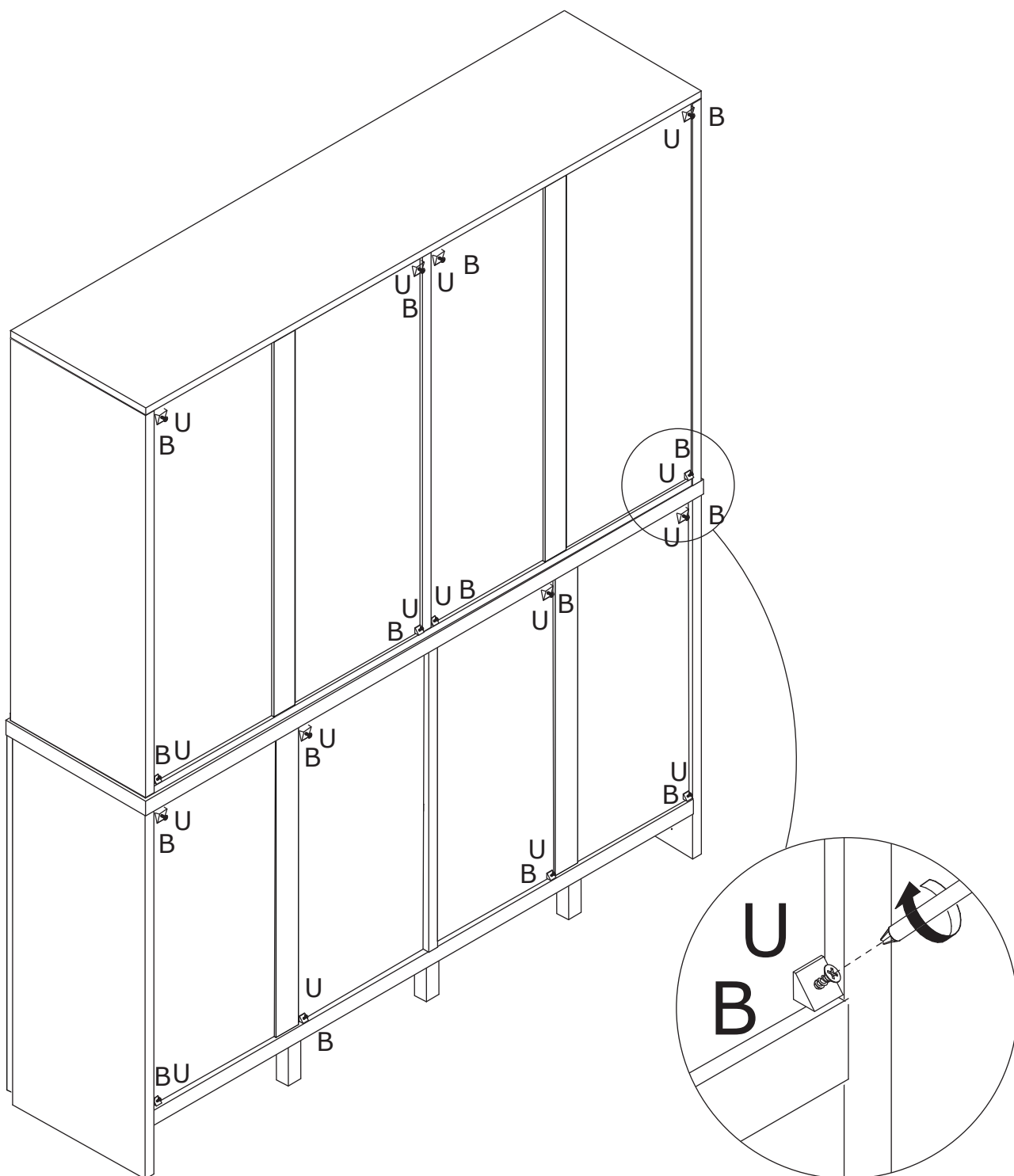
Place shelf 19 and 18 into corresponding position as shown.



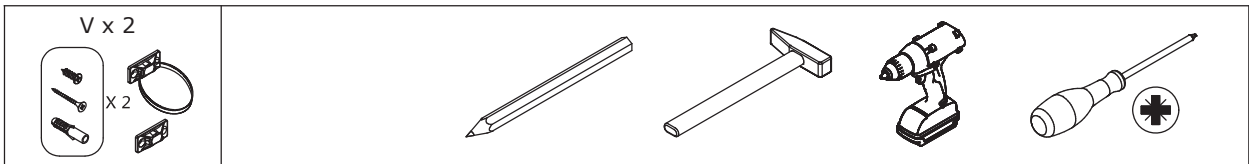
41

<p>B x 16</p>  <p>Ø 3 x 12 mm</p>	<p>U x 16</p> 	
--	---	---

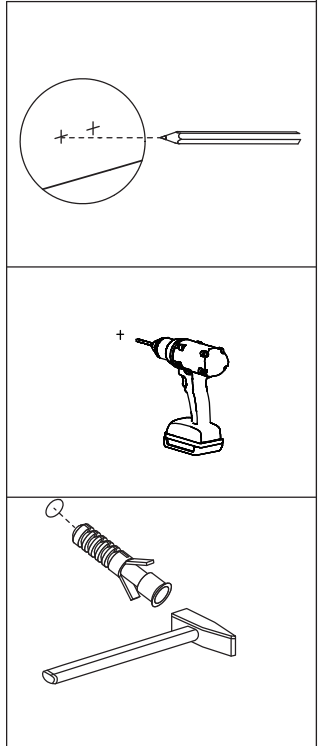
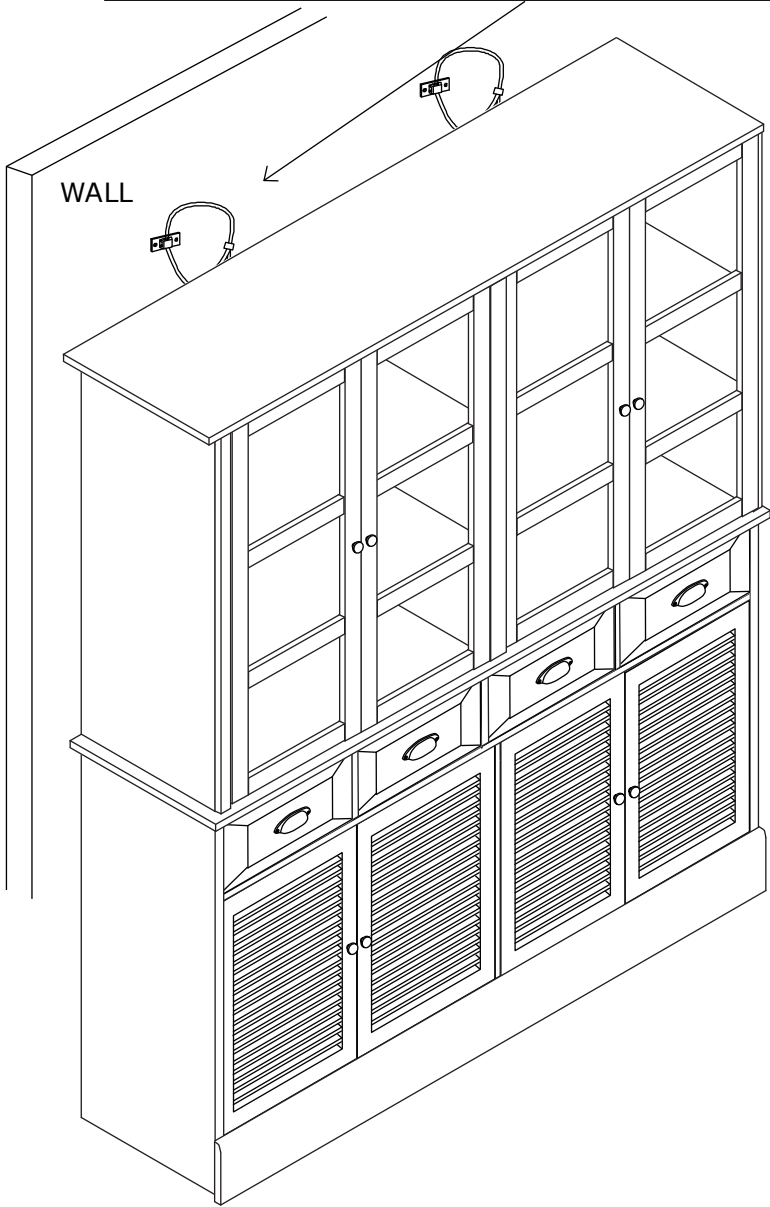
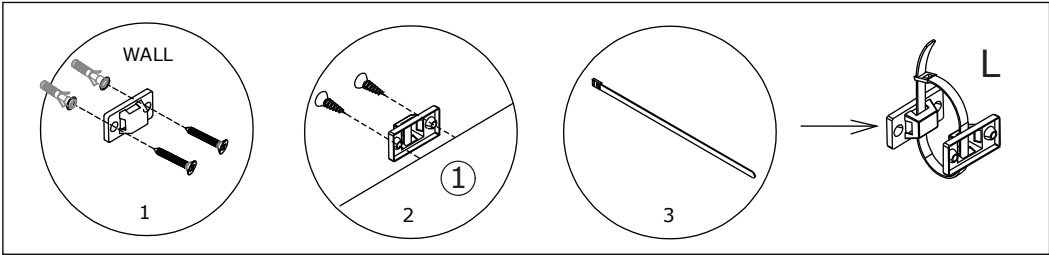
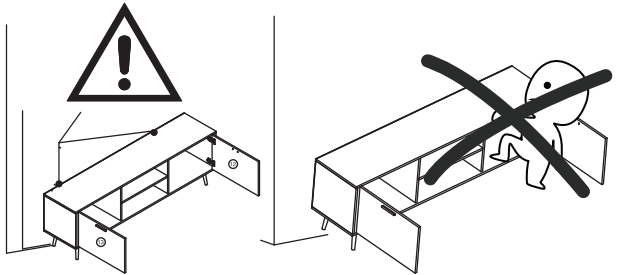
Insert buckle(U) into back slots and fix with screw(B) as shown.



42



Install anti-tipping device as shown.



WARRANTY

WARRANTY CLAIMS

- There is a 30-day warranty for broken furniture or any other problems that do not work properly. The warranty will start from the date of purchase which must be verified by proof of purchase.
- Before making a claim, we may be able to answer your query, simply call us. Please leave your purchase order number, along with some details of the problem, if you want a replacement part. We will arrange within 48 hours. If there is out of stock, we will reply with a shipping date.
- The product must be used in accordance with the instructions provided. For health reasons.
- For other reasons, if the furniture needs to be returned, it must be cleaned and dried and operated within 30 days of receipt.

Type of Warranty Claim

- Failure to follow the furniture instructions will invalidate the warranty. Attention please.
- Does not include damage during installation, but includes damage during transportation.

Scope of responsibility

- Shall not bear any responsibility for misuse or user damage and / or loss of parts during the installation of furniture.
- After using, the damage and scratches of the furniture are not covered by the warranty.

The Warranty Relates to All Bought in The Us and Covers The Following Areas

- Sheet parts: 1 month from the date of purchase.
- Electrical parts: 1 month from the date of purchase.

RETURNS

CHANGED YOUR MIND AND NEED TO RETURN YOU ITEM?

PLEASE FOLLOW THE BELOW INSTRUCTIONS:

- If you have purchased and have simply changed your mind, follow the retailer's instructions for returns.

DEFECTIVE ITEMS

- If your item is defective in any way, i.e. it doesn't work but you can't identify why, in the first instance, please call us.

DAMAGED ITEMS

- If you receive an order with obvious shipping damage from the retailer, then we suggest the delivery is refused. If the delivery has been accepted and then shipping damage is found, please follow the specific instructions advised by the retailer. In all circumstances please save all packaging material and paperwork for the order. Please be aware that if you dispose of packaging material or attempt to return the merchandise without contacting the fulfiller, you jeopardise your chances of making a claim, and you may not receive a credit for the return.

AFTER-SALES CONTACT



feedbackstation@163.com



(303)800-6387