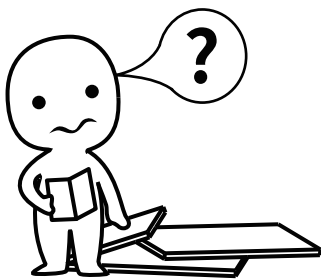


INSTALLATION

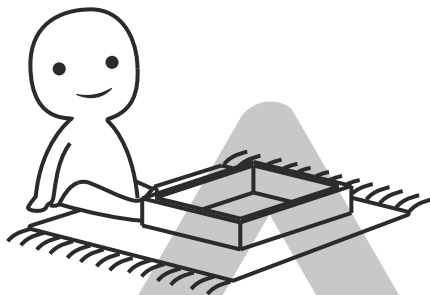
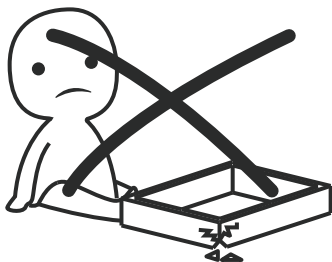
Product Manual

Version: 24A



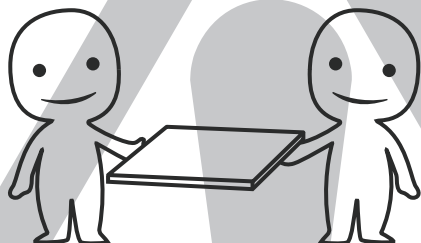
IMPORTANT INFORMATION!

please read the entire manual before starting to assemble and/or using this product. follow the manual thoroughly and keep it for further reference.



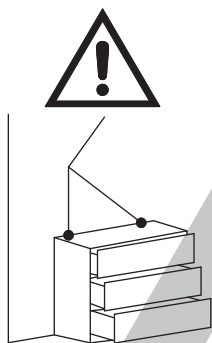
AVOID SCRATCHES!

In order to avoid scratching this furniture should be assembled on a soft layer- could be a rug.



IMPROVE EFFICIENCY !

Try to find a partner to install with you, which can speed up the installation efficiency and shorten the time.



ANTI-TOPPLE WARNING !

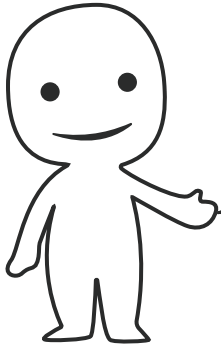
Overturnd furniture can cause serious or fatal crush injuries. To prevent tipping over, be sure to use the wall attachment, if not included with this product. Please purchase the wall attachment that fit your wall. If unsure, seek professional advice. Please read and follow each step of the instructions carefully.

IMPORTANT !

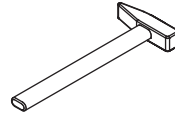
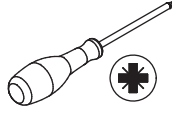
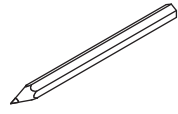
It is important that any product which is assembled using any kind of screw is re-tightened 2 weeks after assembly, and once every 3 months - in order to assure stability through-out the lifespan of the product.

For regular maintenance and cleaning of the product, for the frame, please use a rag dipped in neutral detergent to fully wipe it, and then dry it with a clean rag. For glass materials, wipe with a rag dampened with water glass cleaner, and then dry with a dry rag.

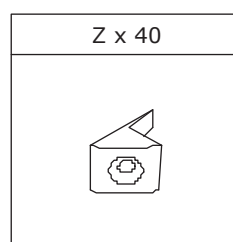
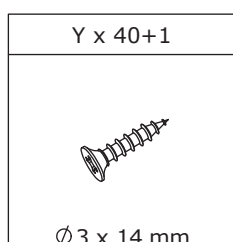
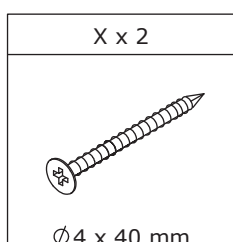
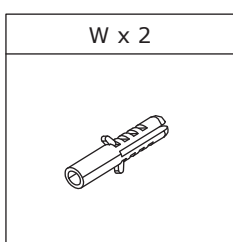
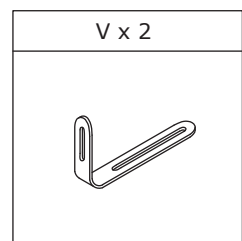
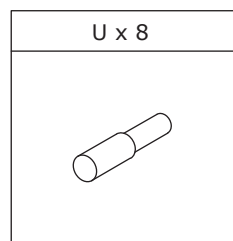
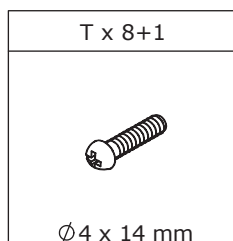
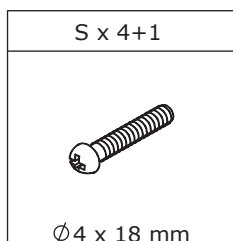
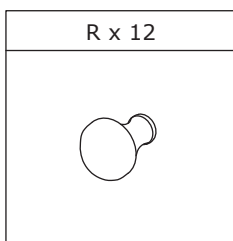
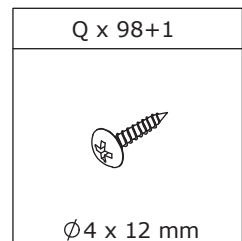
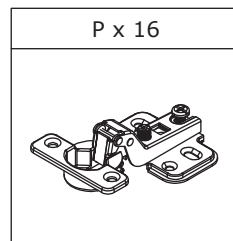
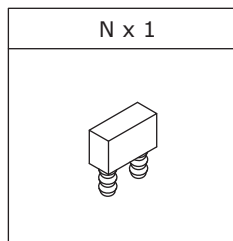
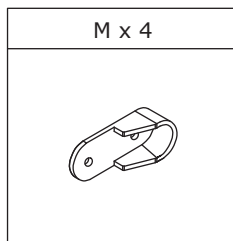
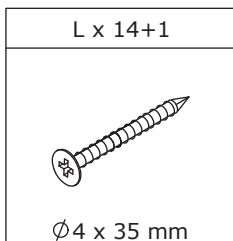
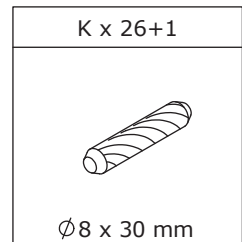
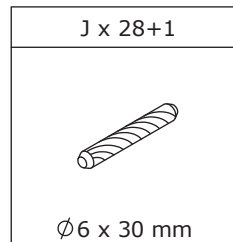
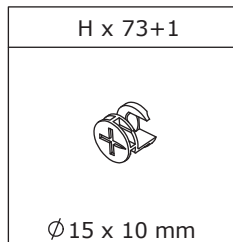
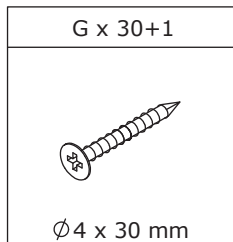
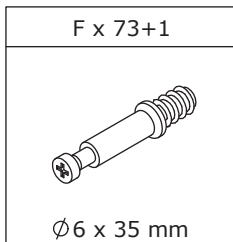
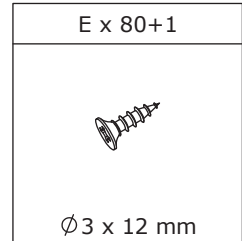
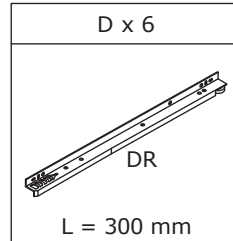
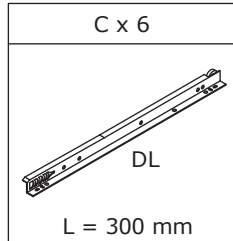
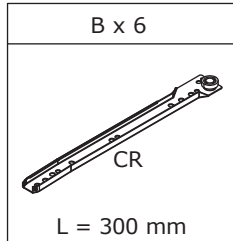
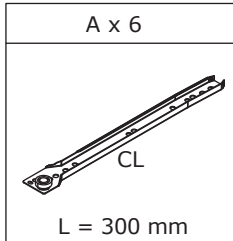
Do not use an electric screwdriver, and do not use too much force when installing, because the board is easy to break.

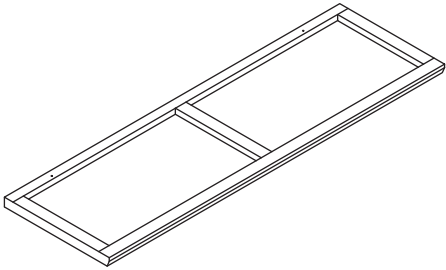
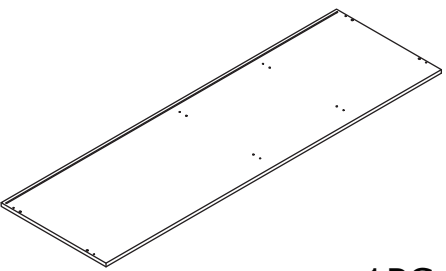
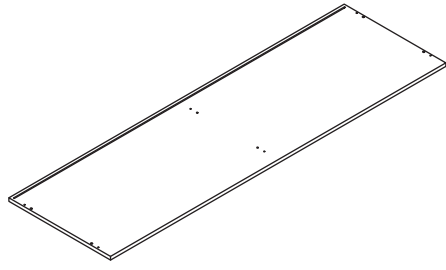
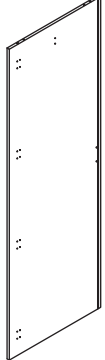
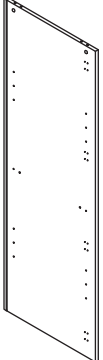
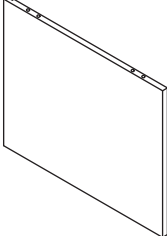
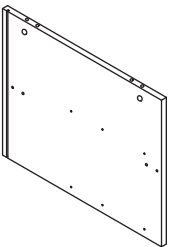
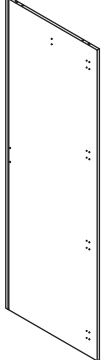

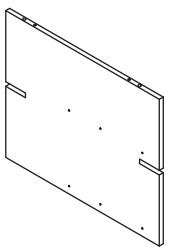
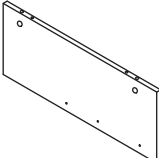
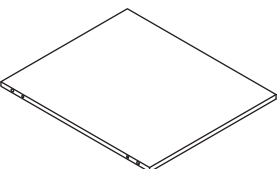
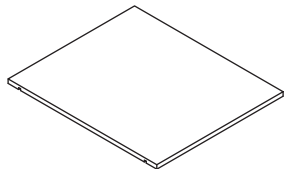
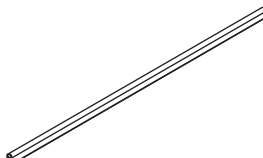



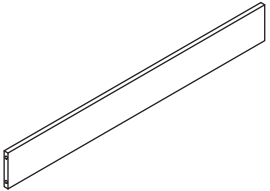
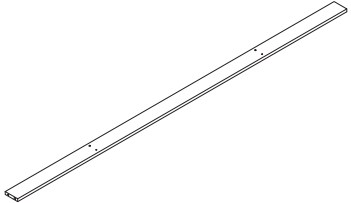
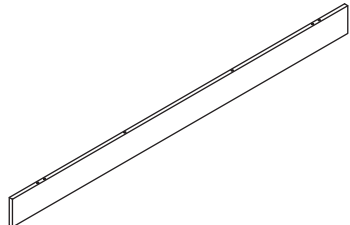
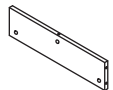
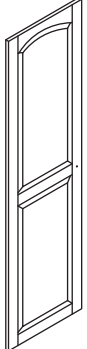
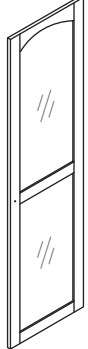
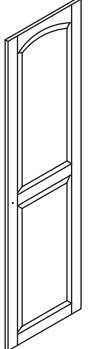


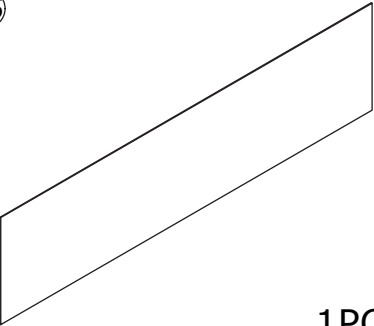
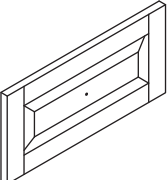
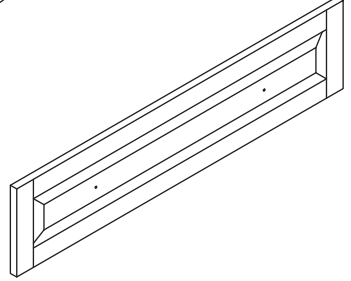
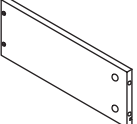
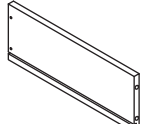
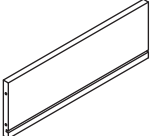
Please prepare the following tools



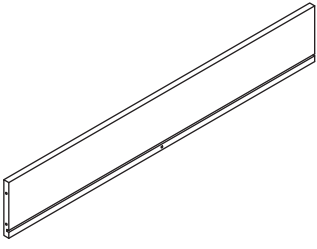
When installing, please carefully confirm whether each screw corresponds to the manual, accessories with similar shapes can be distinguished by size



<p>①</p>  <p>1PC</p>	<p>②</p>  <p>1PC</p>	<p>③</p>  <p>1PC</p>
<p>④</p>  <p>1PC</p>	<p>⑤</p>  <p>1PC</p>	<p>⑥</p>  <p>1PC</p>
<p>⑦</p>  <p>1PC</p>	<p>⑧</p>  <p>1PC</p>	<p>⑨</p>  <p>1PC</p>
<p>⑩</p>  <p>1PC</p>	<p>⑪</p>  <p>2PCS</p>	<p>⑫</p>  <p>1PC</p>
<p>⑬</p>  <p>2PCS</p>	<p>⑭</p>  <p>1PC</p>	<p>⑮</p>  <p>1PC</p>

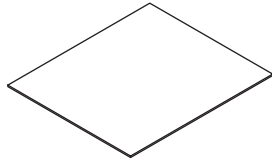
<p>①⑥</p>  <p>1PC</p>	<p>①⑦</p>  <p>2PCS</p>	<p>①⑧</p>  <p>2PCS</p>
<p>①⑨</p>  <p>3PCS</p>	<p>②⑩</p>  <p>2PCS</p>	<p>②①</p>  <p>1PC</p>
<p>②②</p>  <p>1PC</p>	<p>②③</p>  <p>4PCS</p>	<p>②④</p>  <p>2PCS</p>
<p>②⑤</p>  <p>1PC</p>	<p>②⑥</p>  <p>4PCS</p>	<p>②⑦</p>  <p>2PCS</p>
<p>②⑧</p>  <p>6PCS</p>	<p>②⑨</p>  <p>6PCS</p>	<p>③⑩</p>  <p>4PCS</p>
<p>5/41</p>		

31



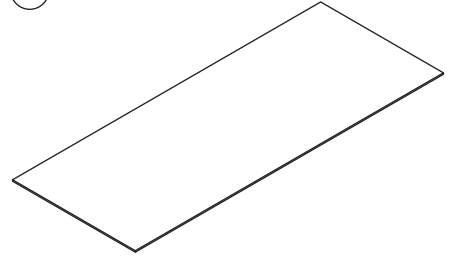
2PCS

32



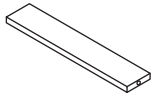
4PCS

33

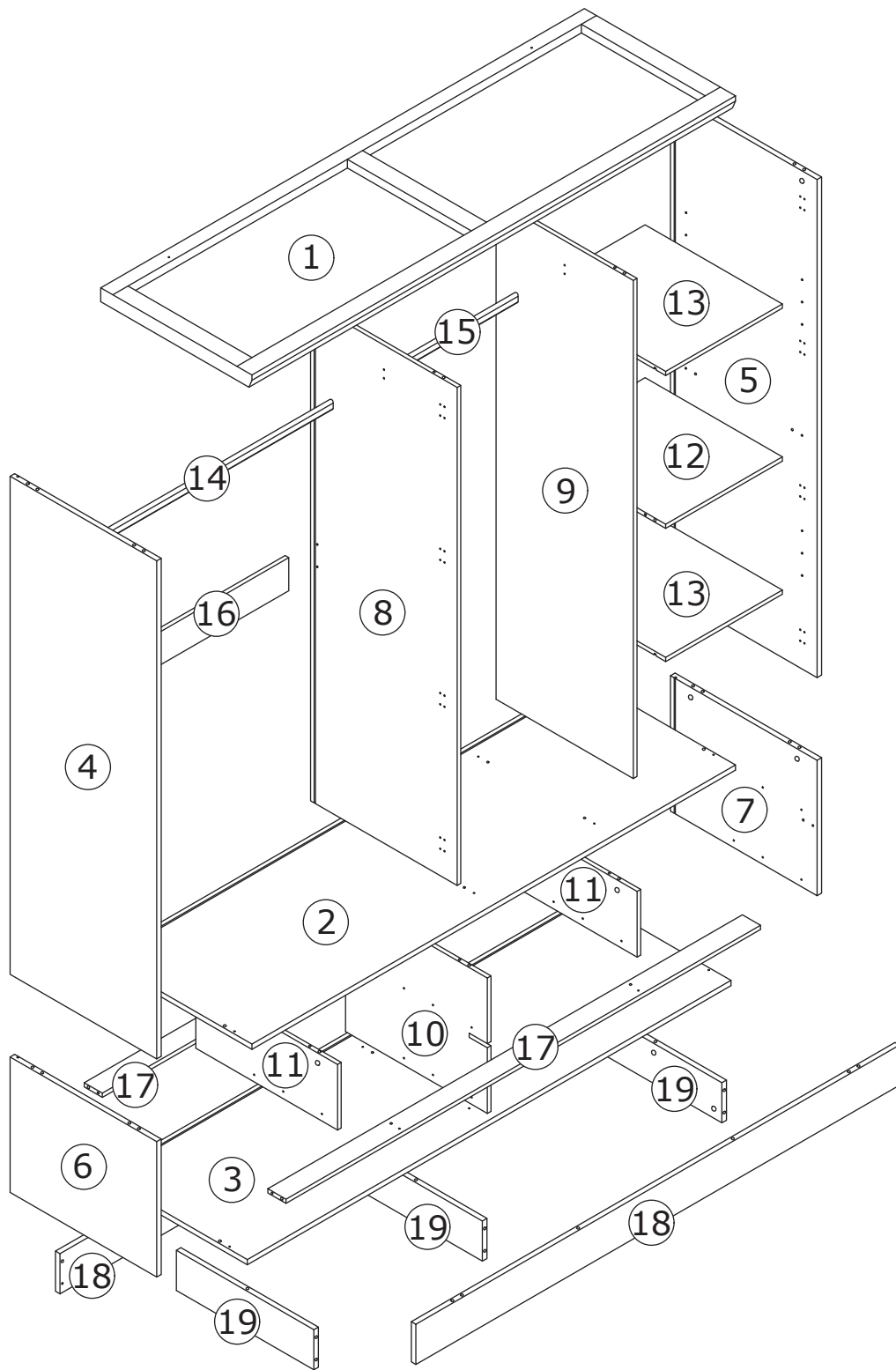


2PCS

34



2PCS



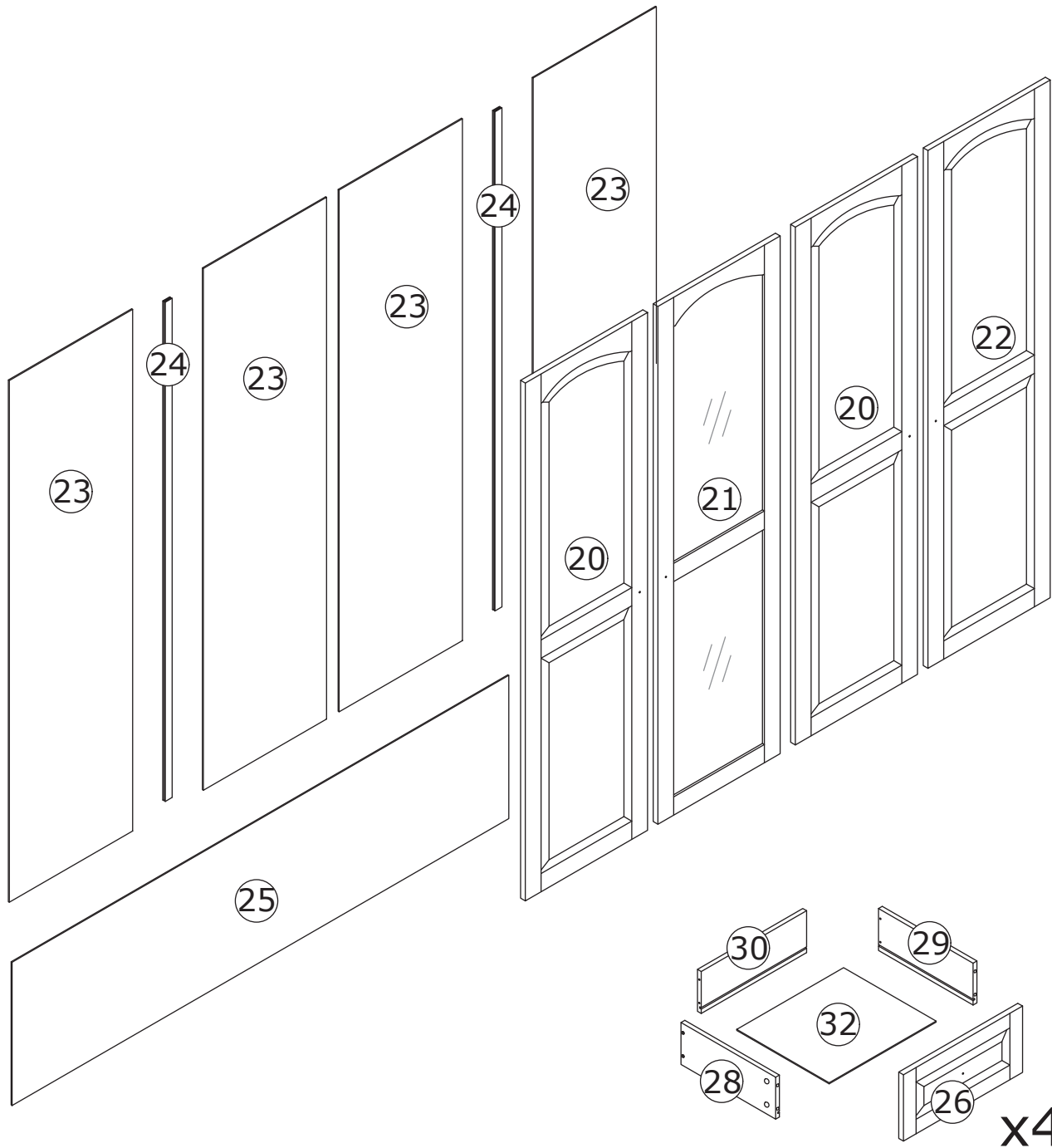
⚠ WARNING



Children have died from furniture tipover. To reduce the risk of furniture tipover:

- ALWAYS install Anti-tip device provided.
- NEVER put a TV on this product.
- NEVER allow children to stand, climb or hang on drawers, doors, or shelves.
- NEVER open more than one drawer at a time.
- Place heaviest items in the lowest drawers.

*This is a permanent label.
Do not remove!*



⚠ WARNING

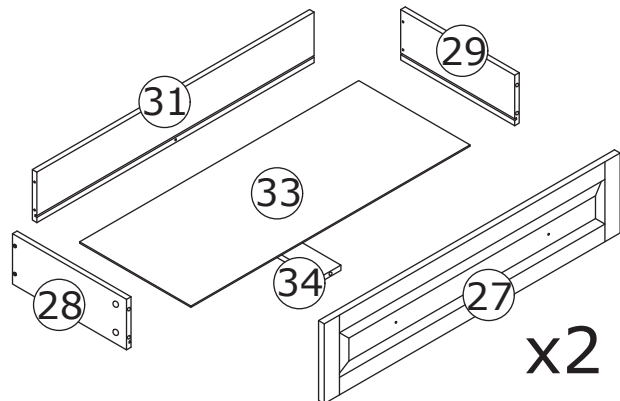


Children have died from furniture tipover. To reduce the risk of furniture tipover:

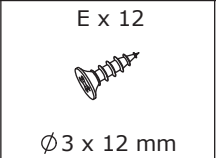
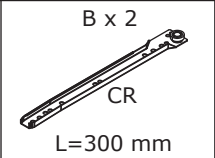
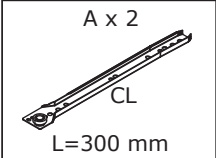
- ALWAYS install Anti-tip device provided.
- NEVER put a TV on this product.
- NEVER allow children to stand, climb or hang on drawers, doors, or shelves.
- NEVER open more than one drawer at a time.
- Place heaviest items in the lowest drawers.



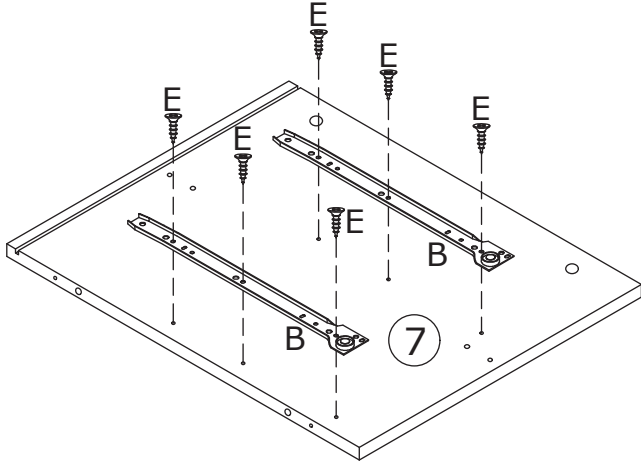
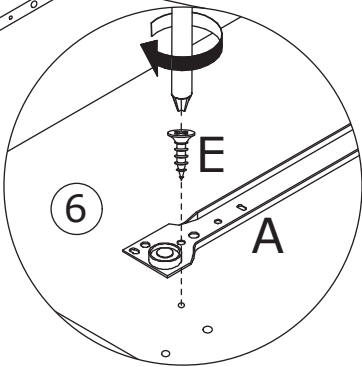
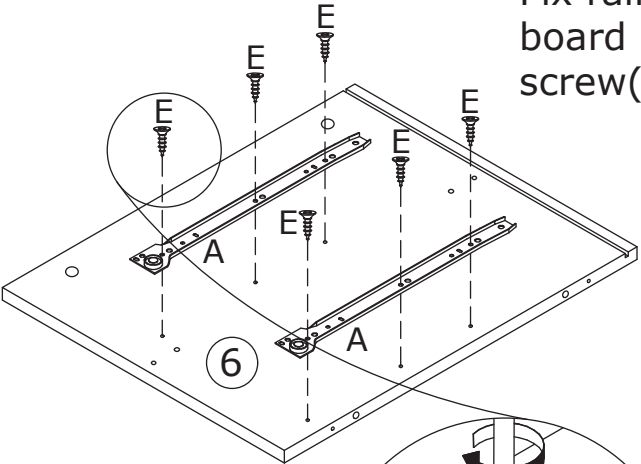
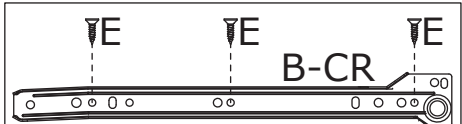
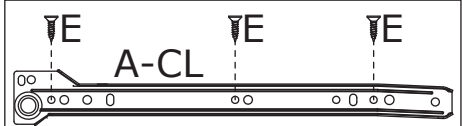
*This is a permanent label.
Do not remove!*



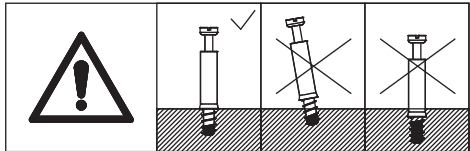
1



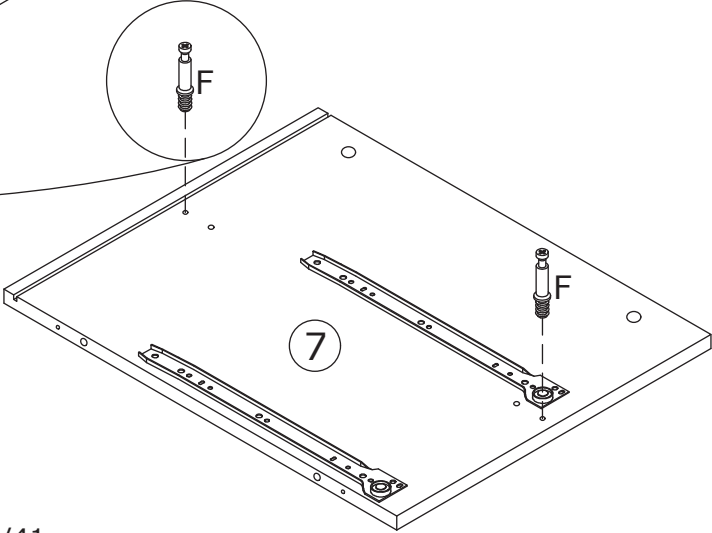
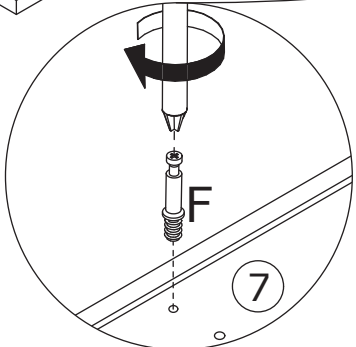
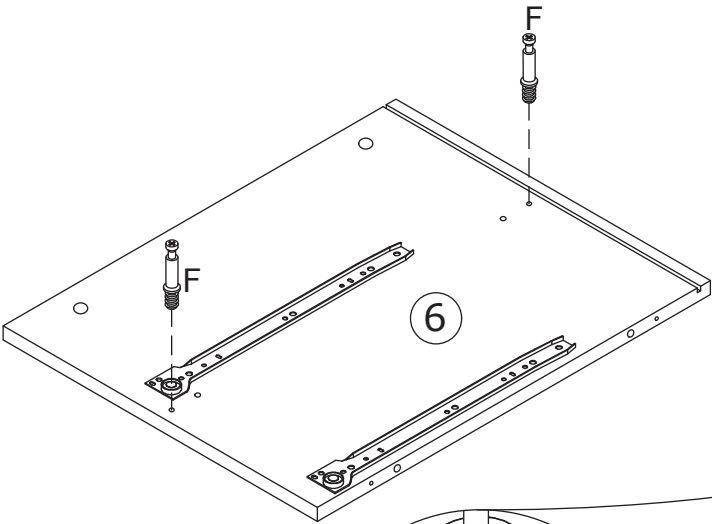
Fix rail(A) and (B) to board 6 and 7 with screw(E) as shown.



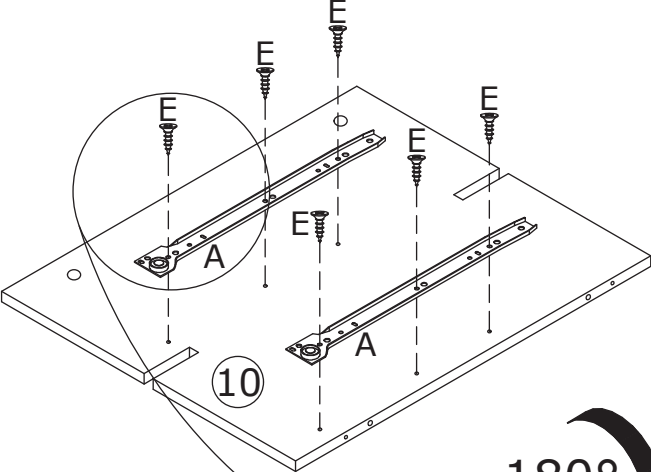
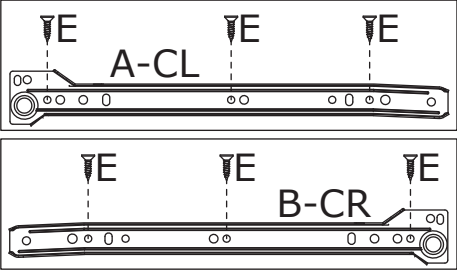
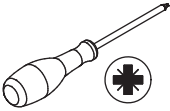
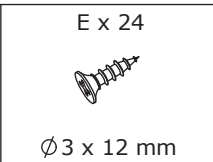
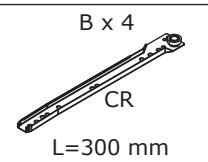
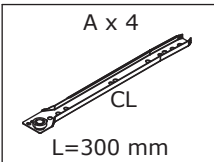
2



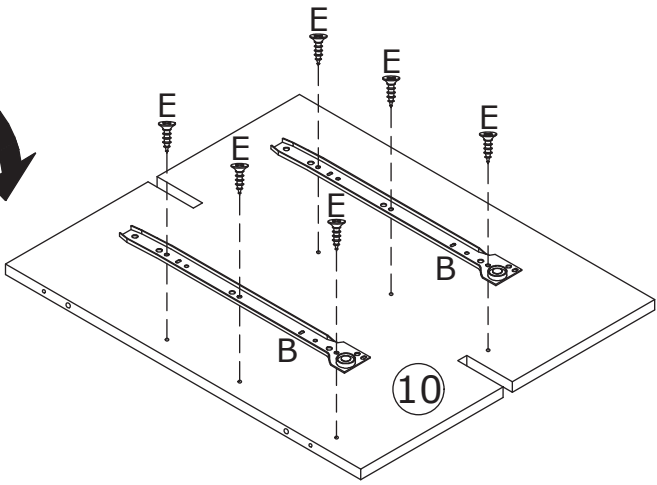
Screw eccentric rod(F) into board 6 and 7 as shown.



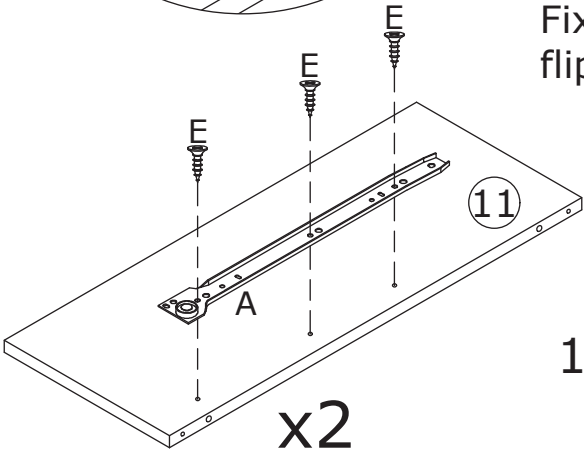
3



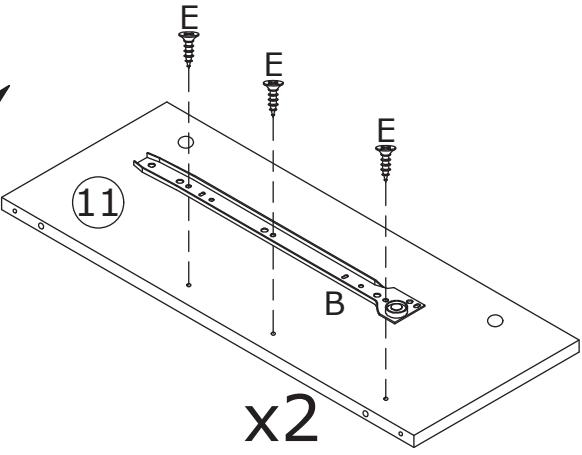
180°



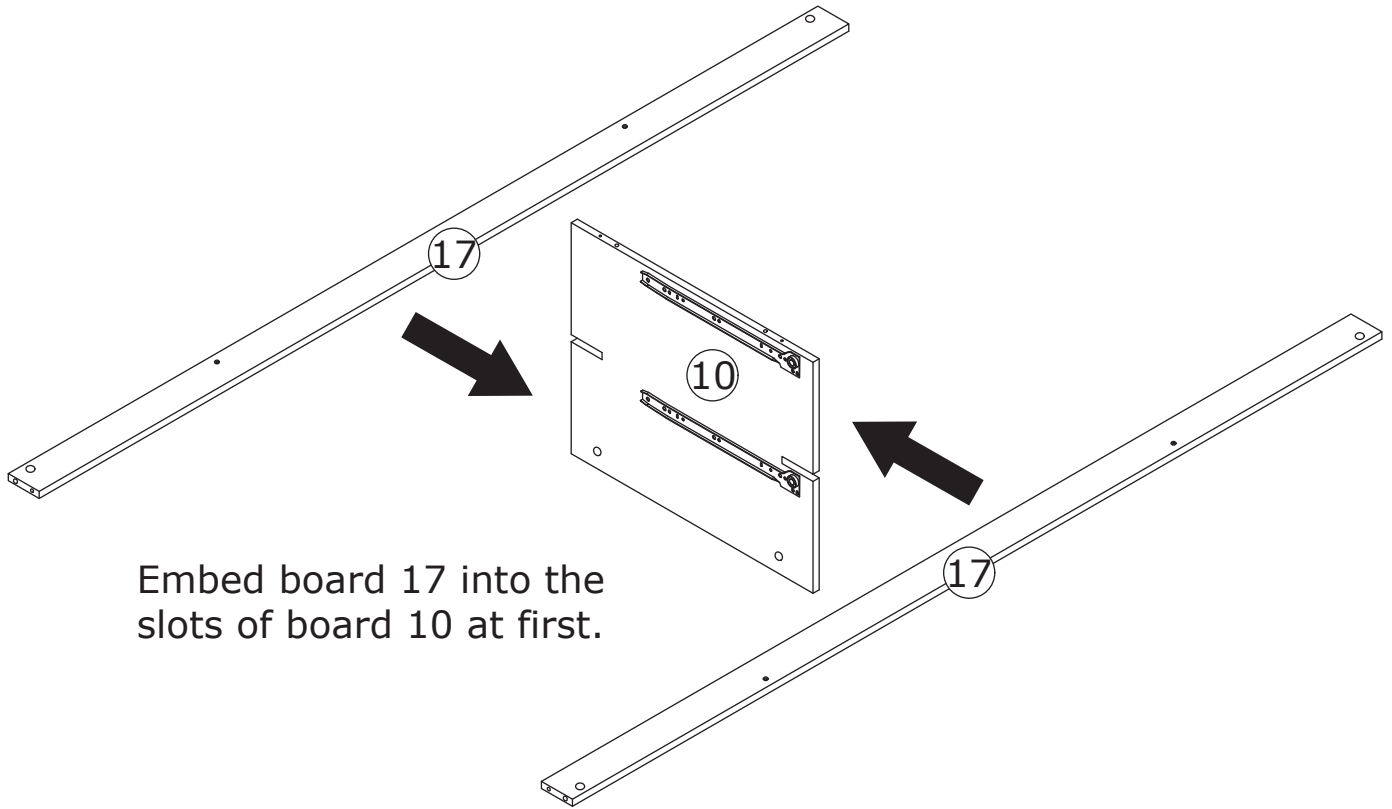
Fix rail(A) to board 10 with screw(E) at first, flip to back, fix rail(B) as shown.
Fix rail(A) to board 11 with screw(E) at first, flip to back, fix rail(B) as shown.



180°



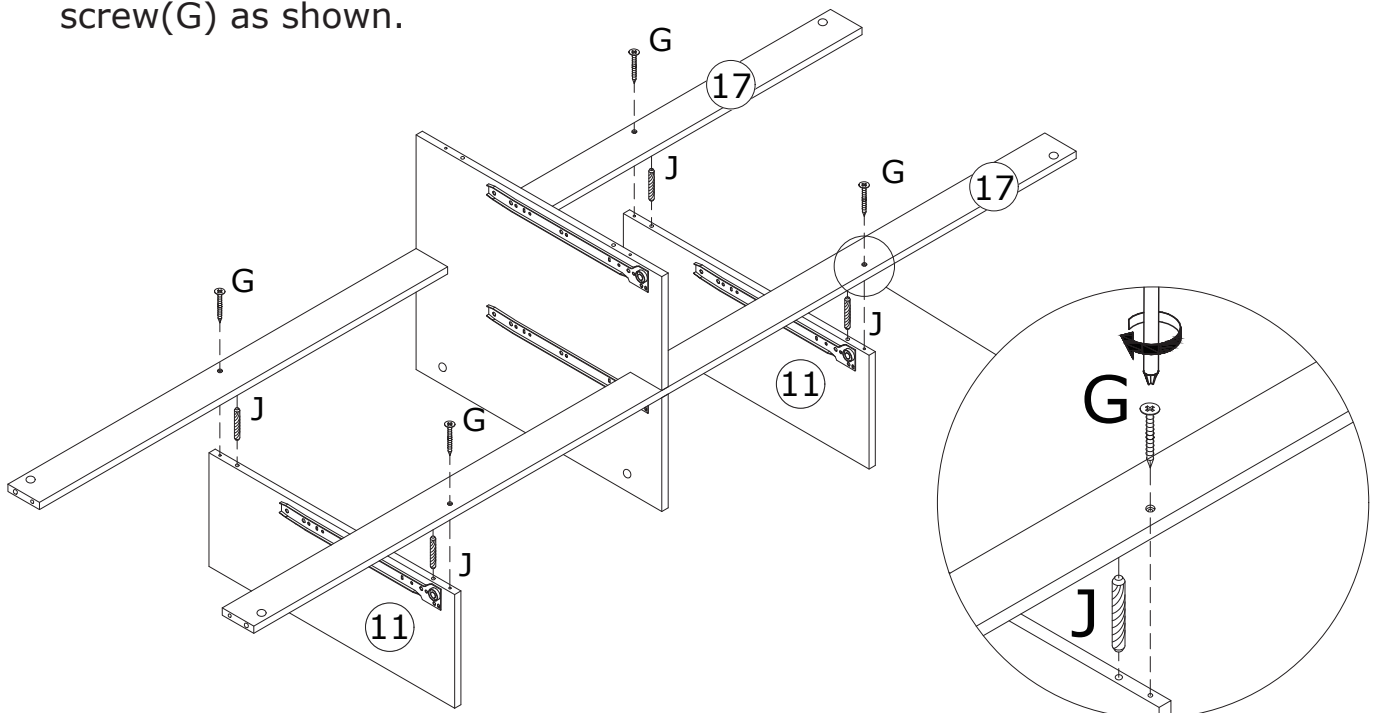
4



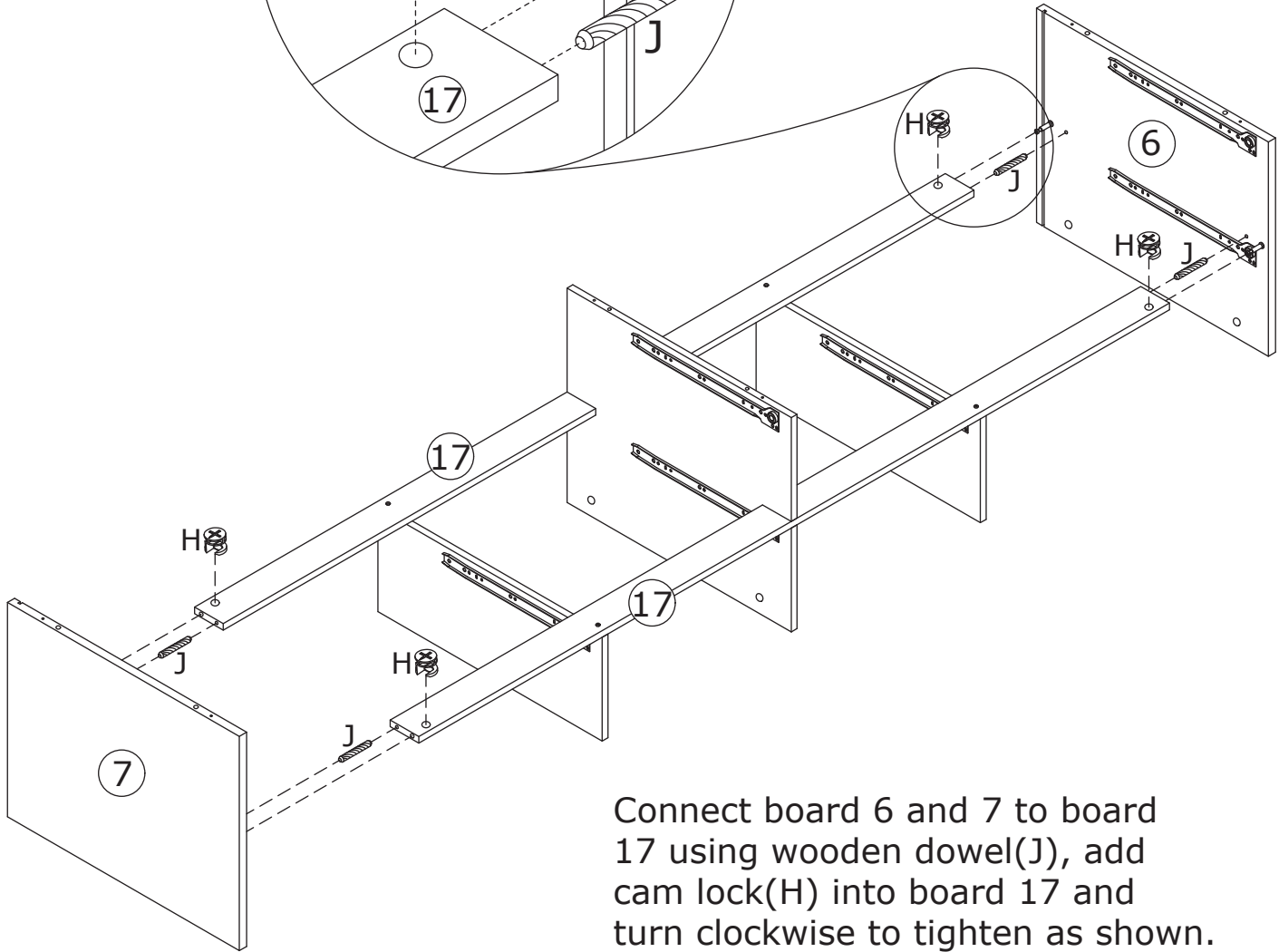
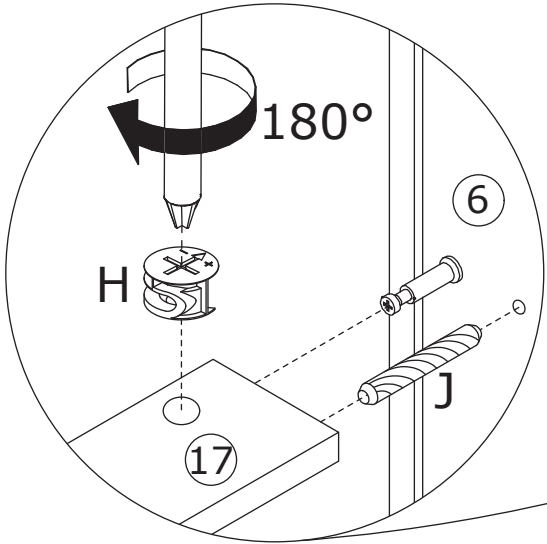
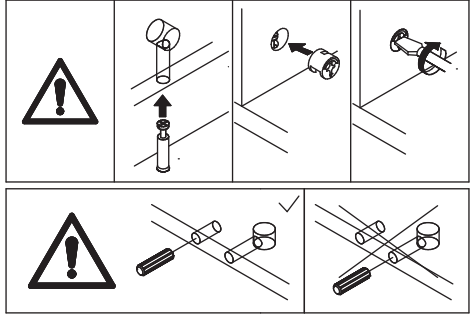
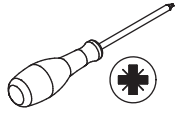
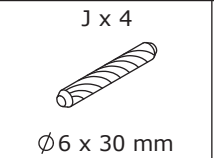
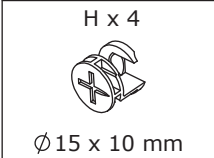
5



Insert wooden dowel(J) into board 11,
Attach board 17 to board 11 with
screw(G) as shown.



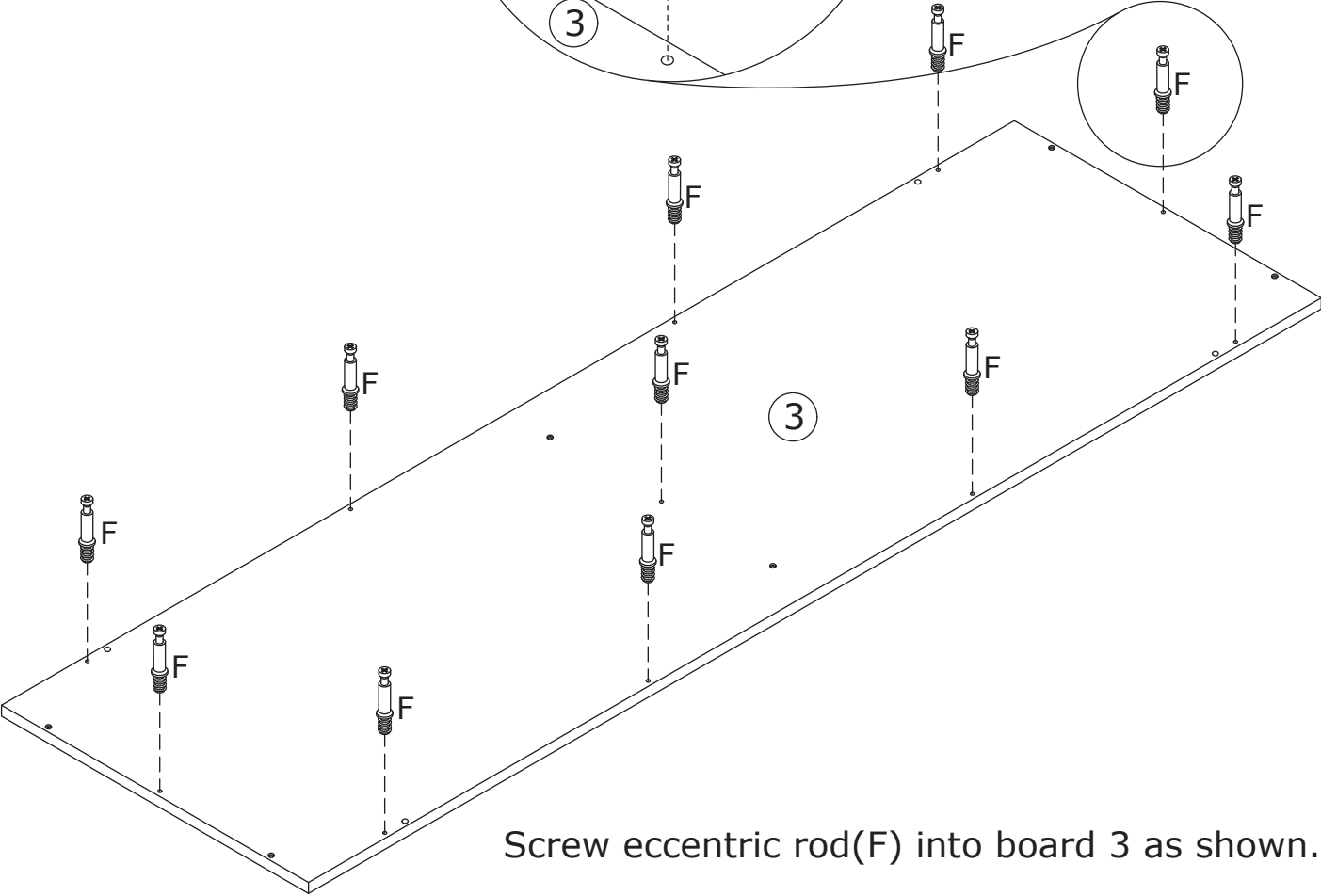
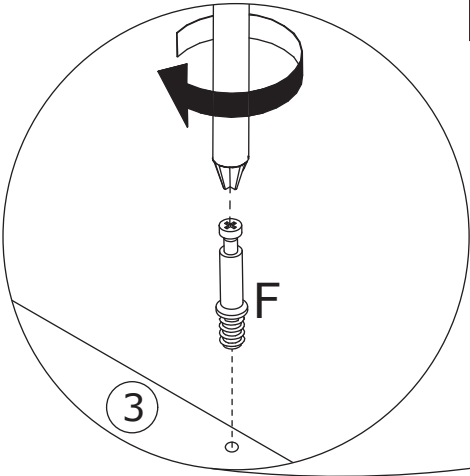
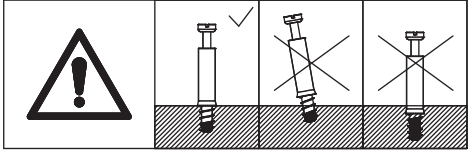
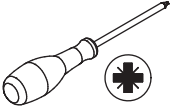
6



Connect board 6 and 7 to board 17 using wooden dowel(J), add cam lock(H) into board 17 and turn clockwise to tighten as shown.

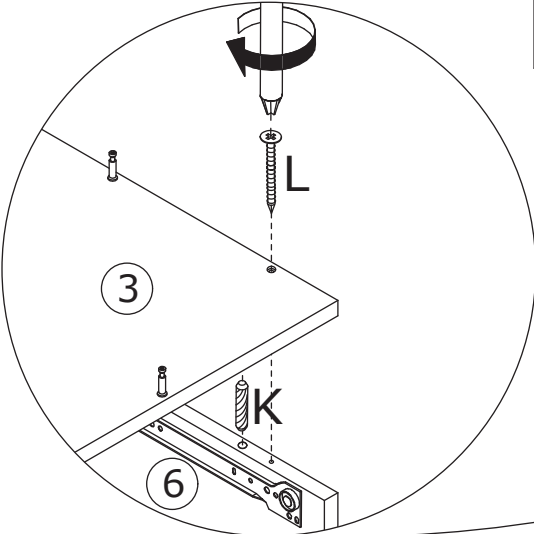
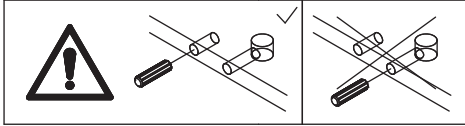
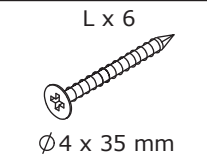
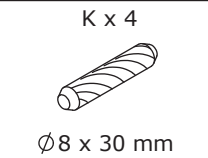
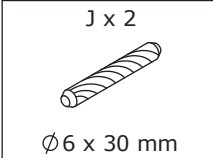
7

F x 11
Ø6 x 35 mm

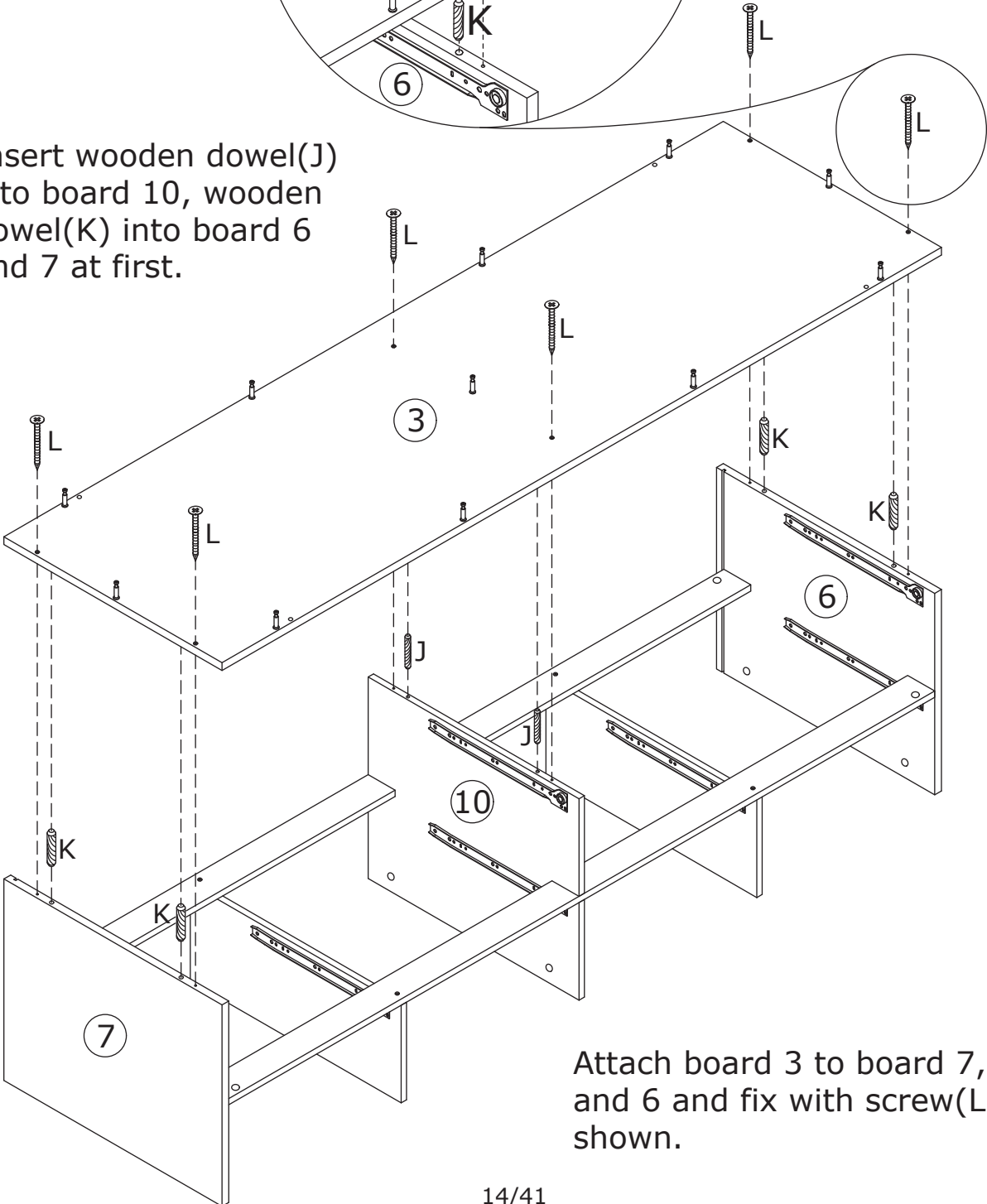


Screw eccentric rod(F) into board 3 as shown.

8

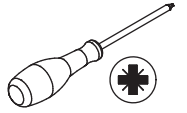
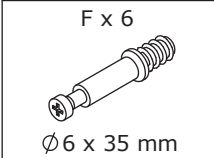


Insert wooden dowel(J) into board 10, wooden dowel(K) into board 6 and 7 at first.

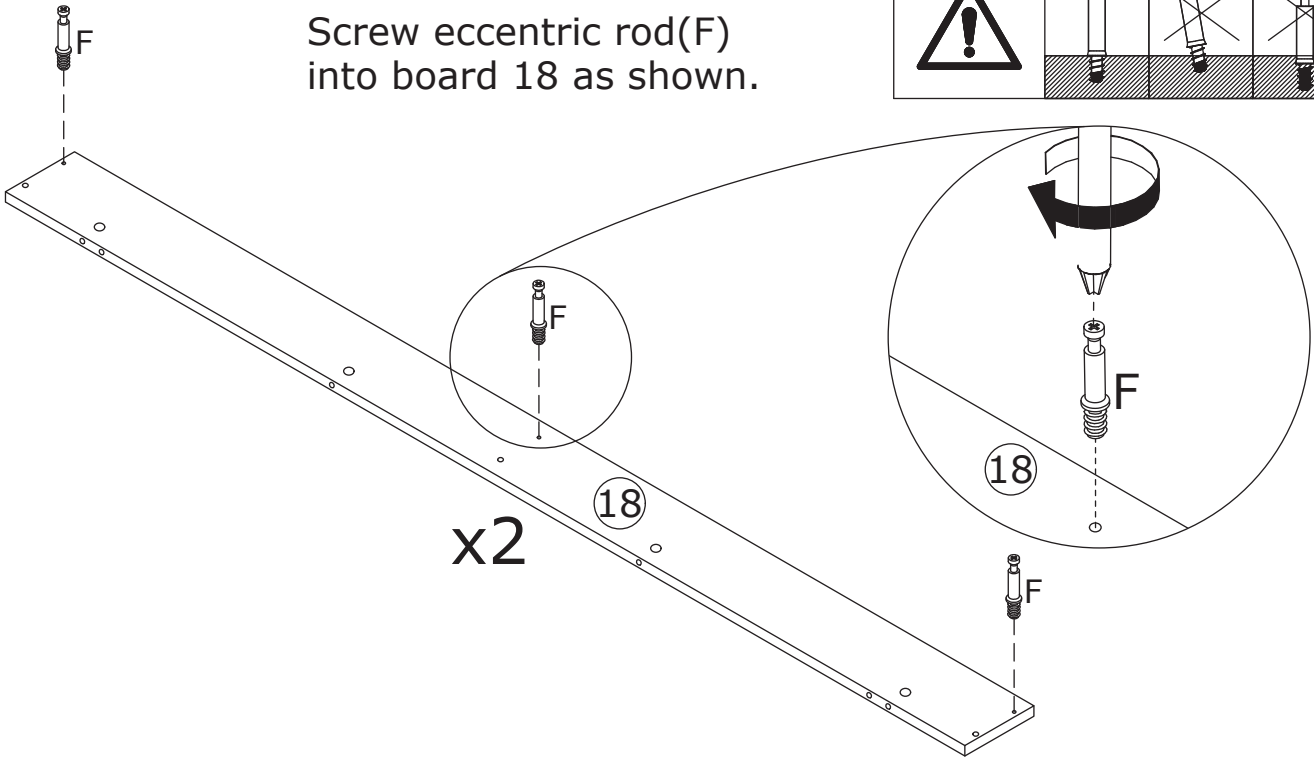
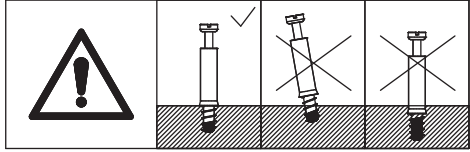


Attach board 3 to board 7, 10 and 6 and fix with screw(L) as shown.

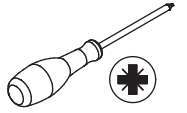
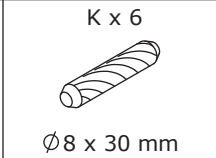
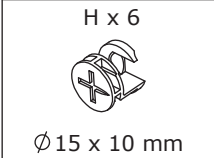
9



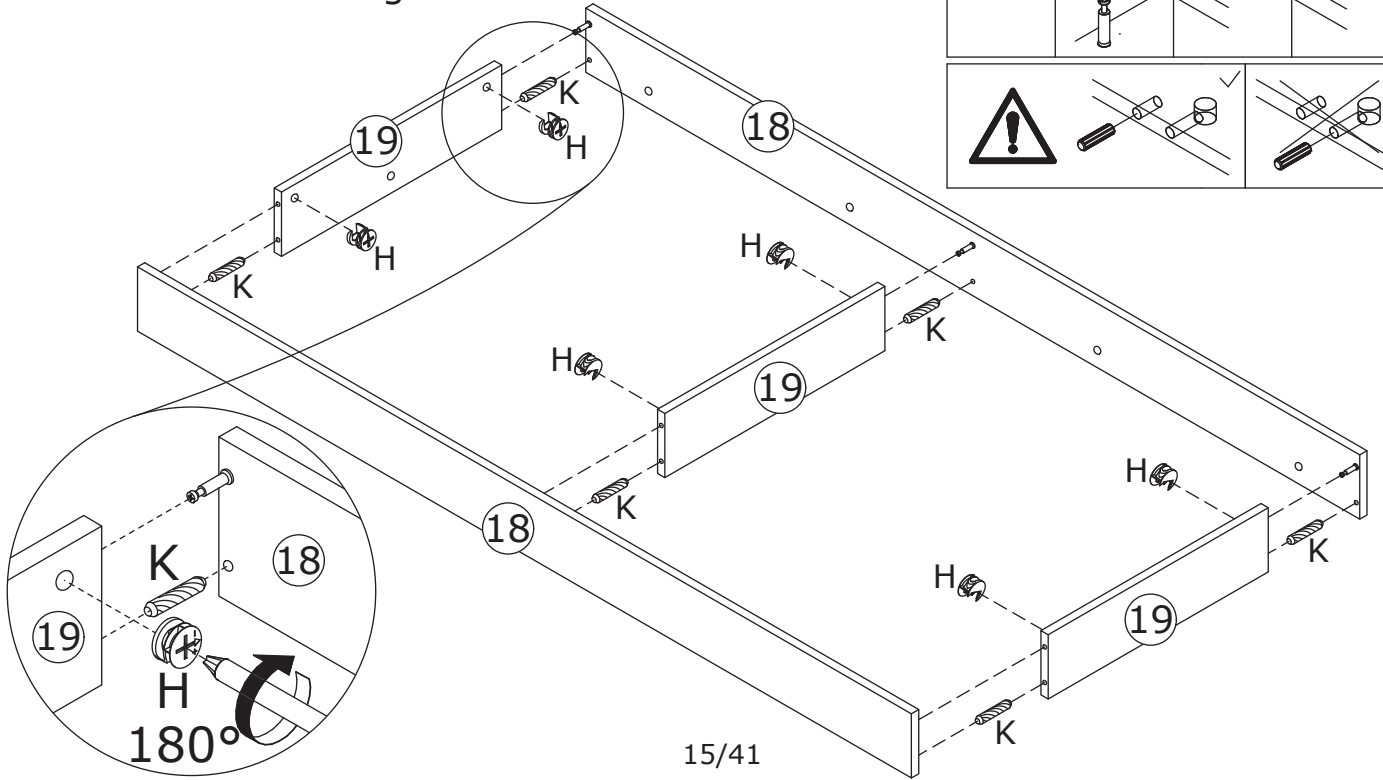
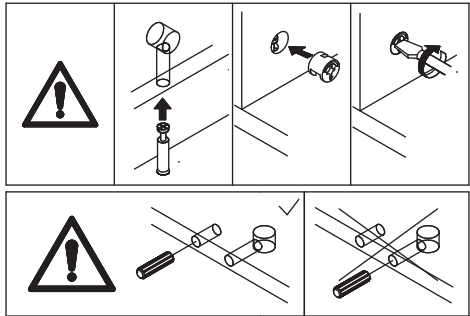
Screw eccentric rod(F)
into board 18 as shown.



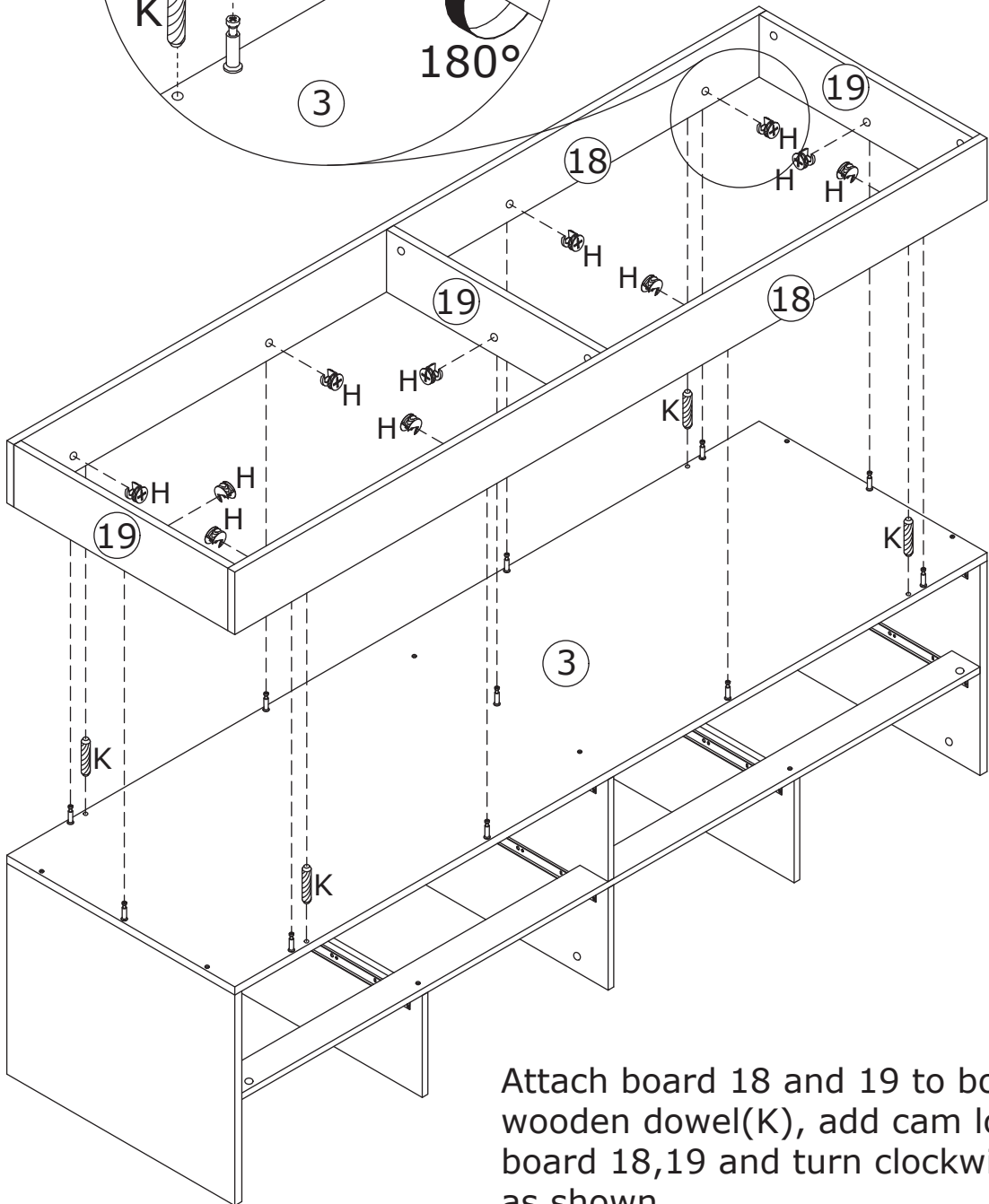
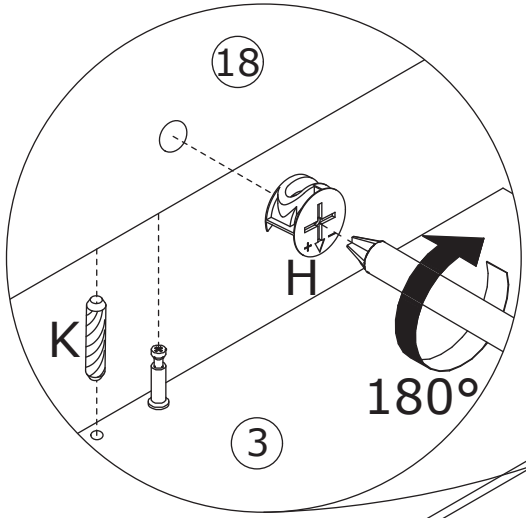
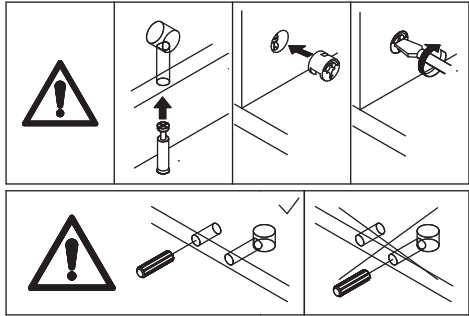
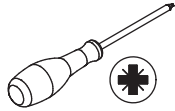
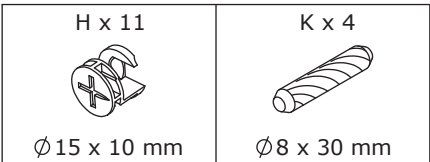
10



Connect board 18 to board 19 using wooden
dowel(K), add cam lock(H) into board 19 and
turn clockwise to tighten as shown.

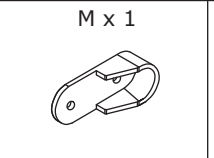
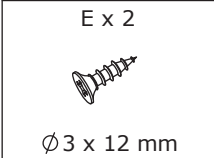


11

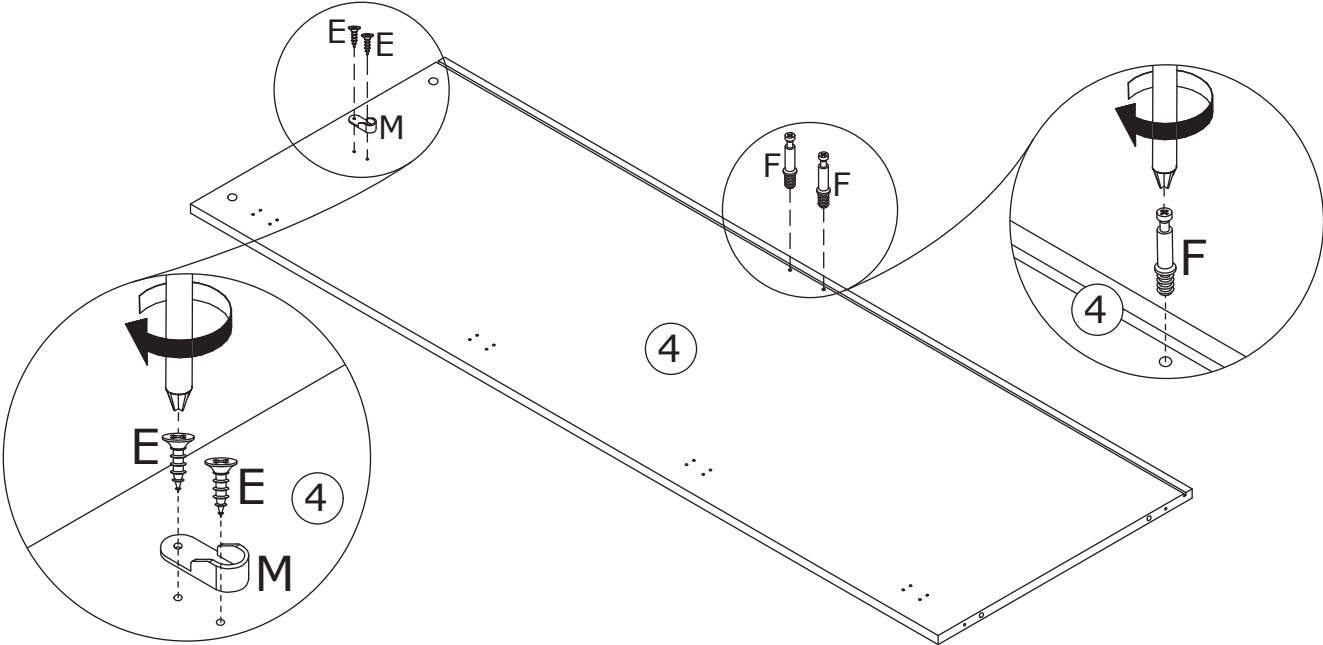
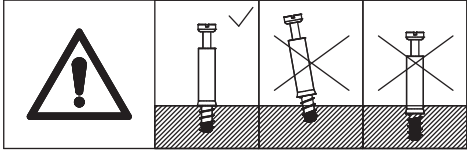


Attach board 18 and 19 to board 3 using wooden dowel(K), add cam lock(H) into board 18,19 and turn clockwise to tighten as shown.

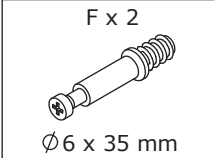
12



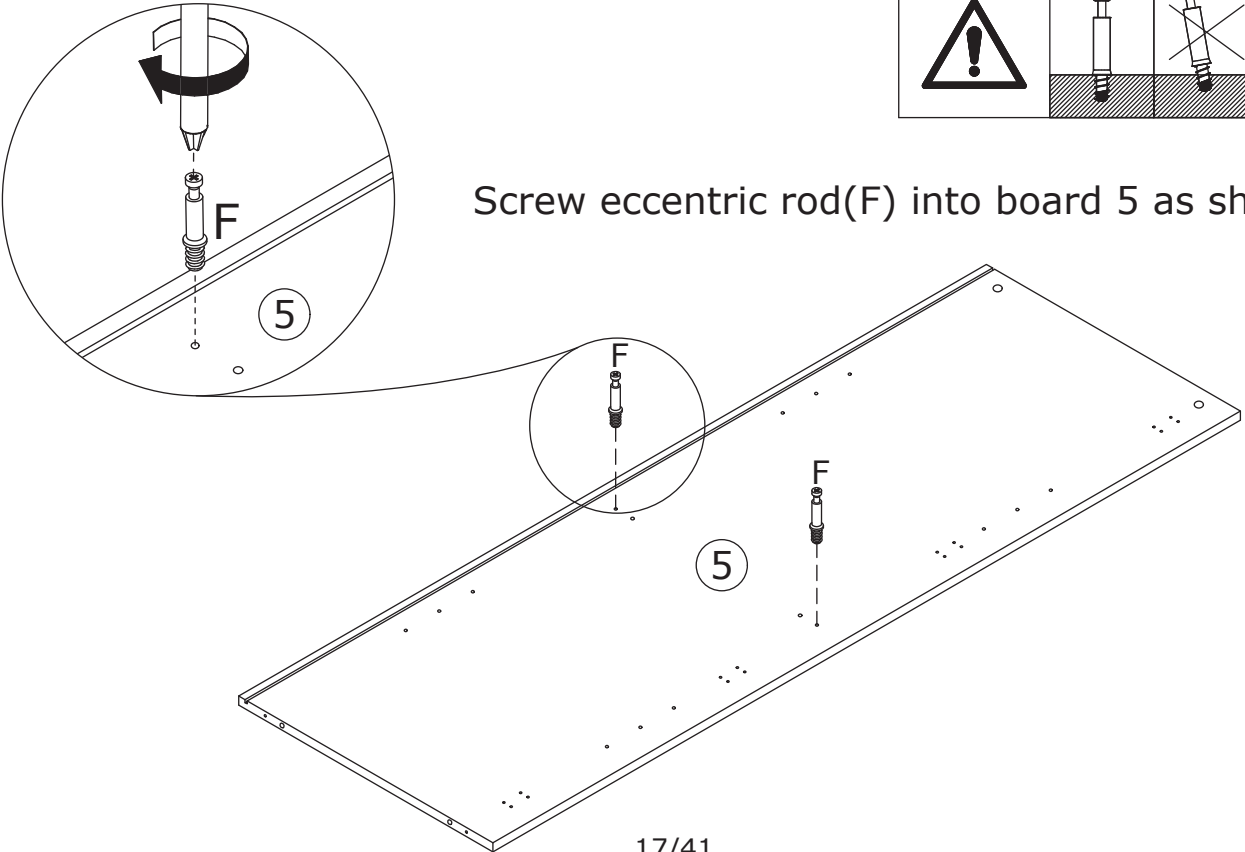
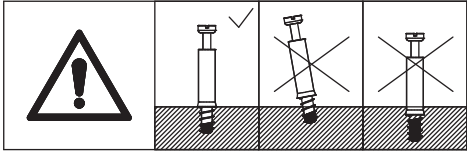
Screw eccentric rod(F) into board 4 as shown.
Fix part(M) with screw(E) as shown.



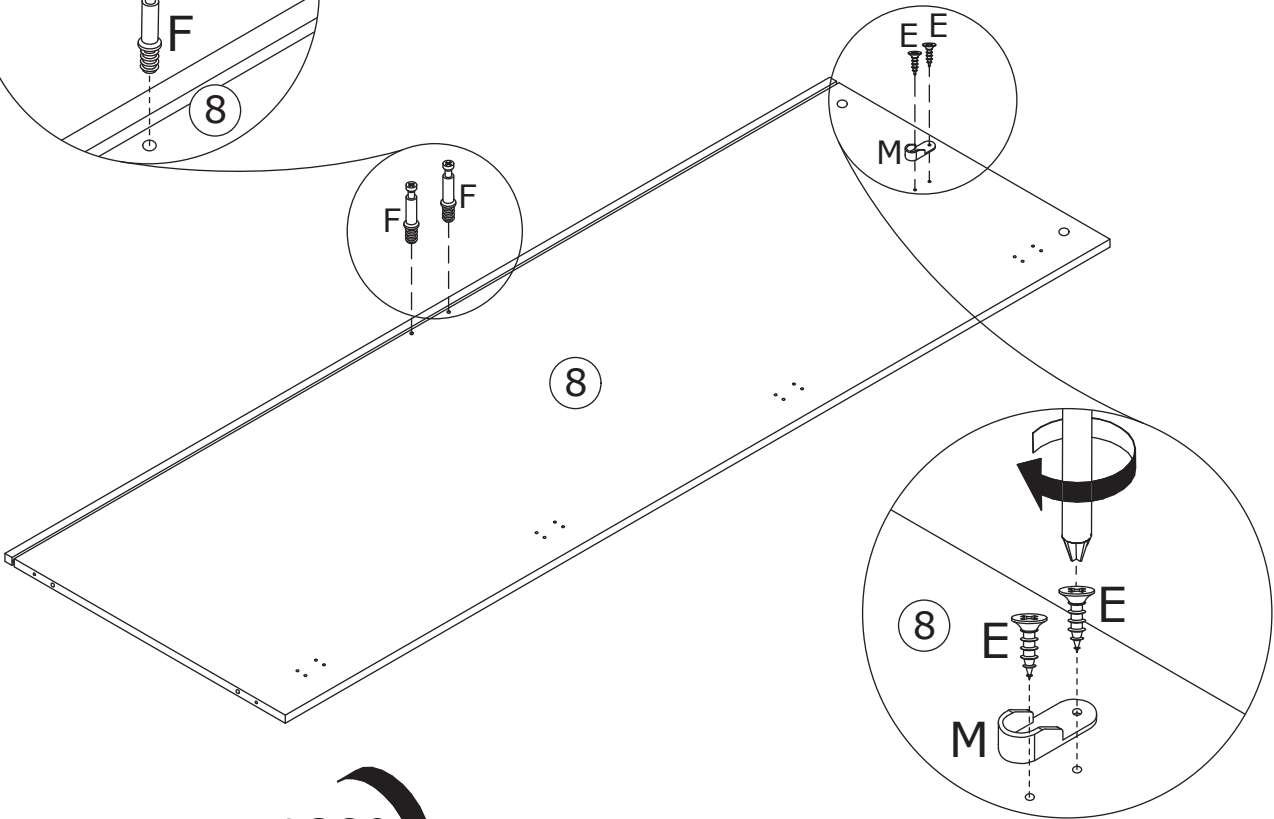
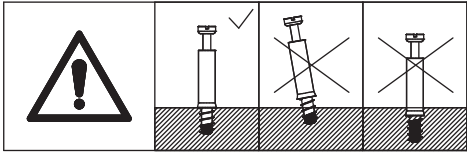
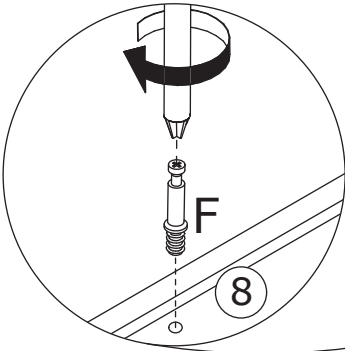
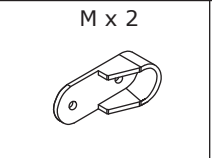
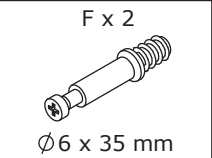
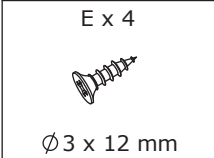
13



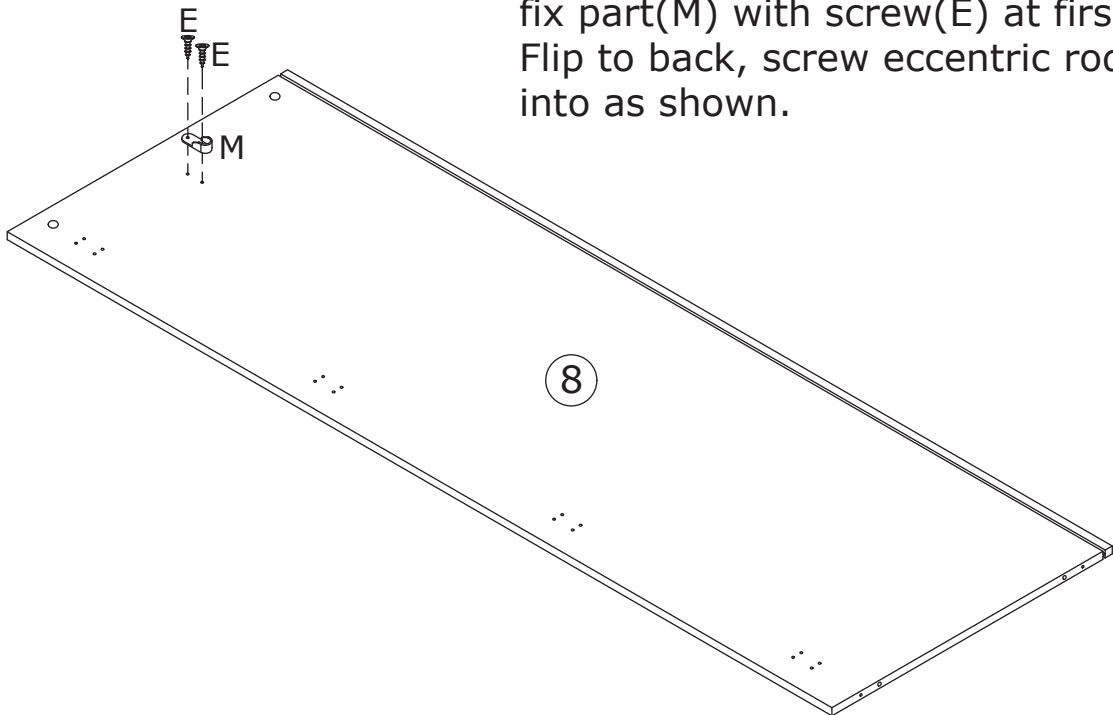
Screw eccentric rod(F) into board 5 as shown.



14

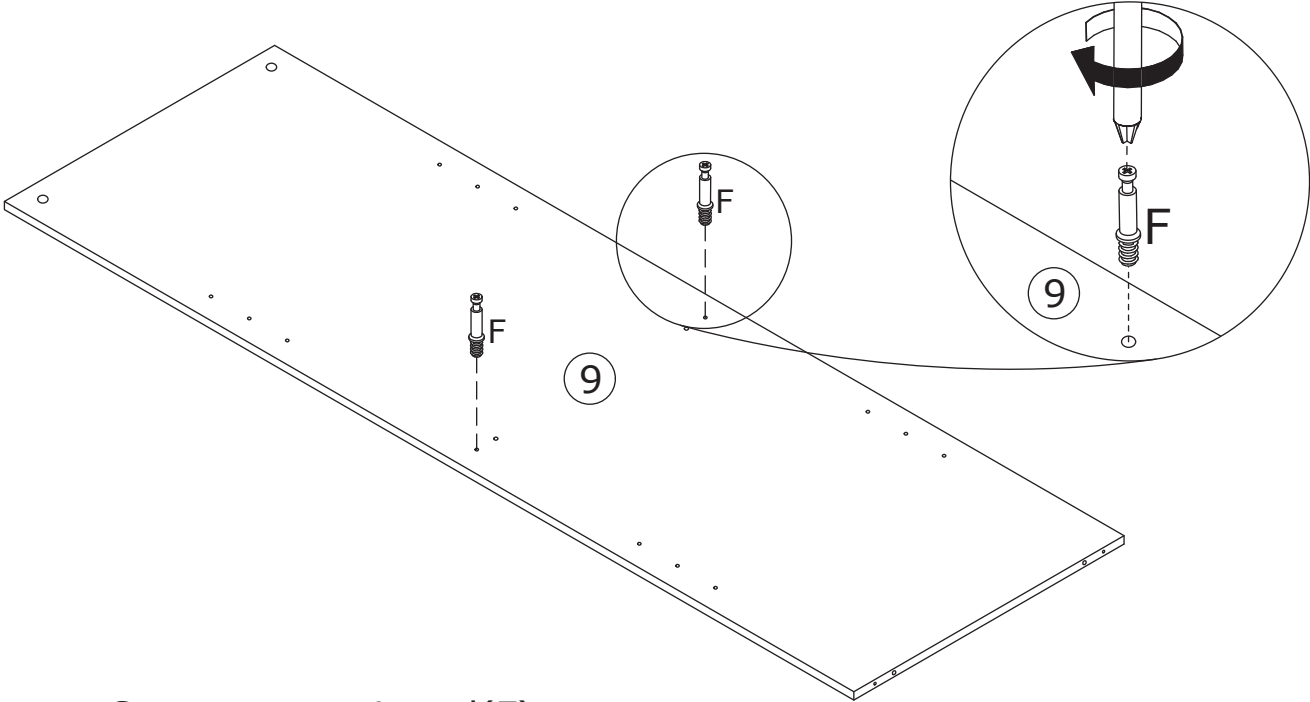
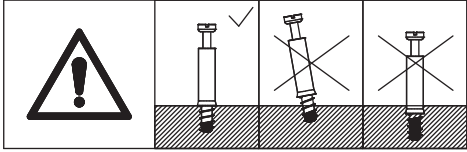
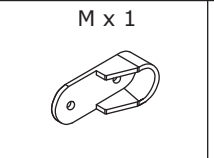
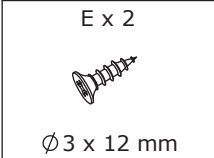


180°

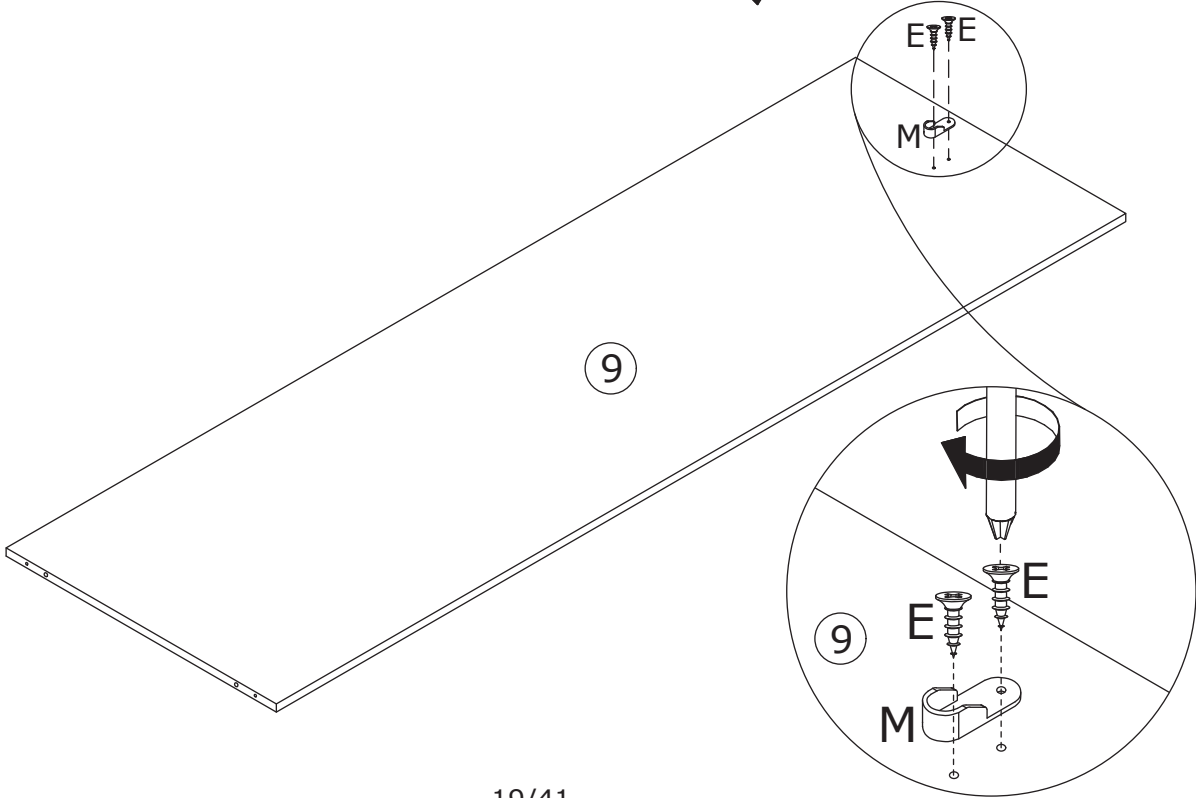


Screw eccentric rod(F) into board 8, fix part(M) with screw(E) at first. Flip to back, screw eccentric rod(F) into as shown.

15

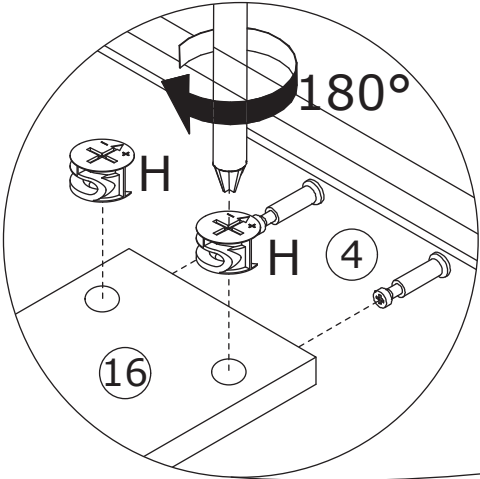
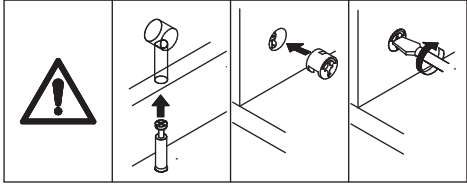
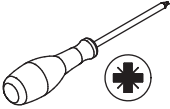


Screw eccentric rod(F)
into board 9 at first.
Flip to back, fix part(M)
with screw(E) as shown.

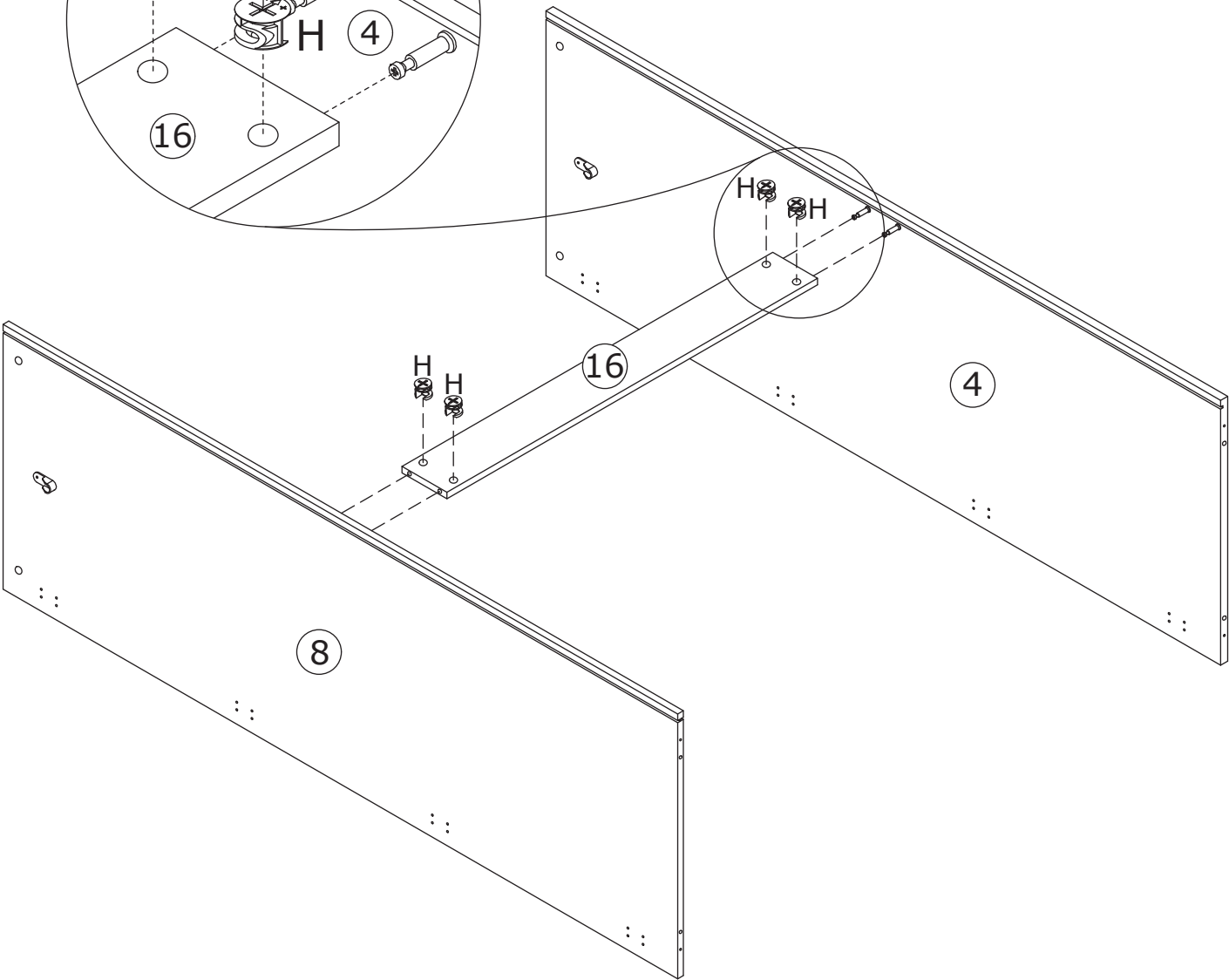


16

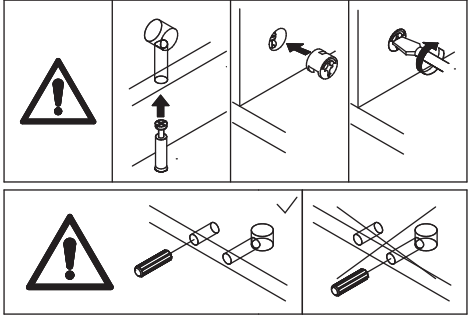
H x 4
Ø 15 x 10 mm



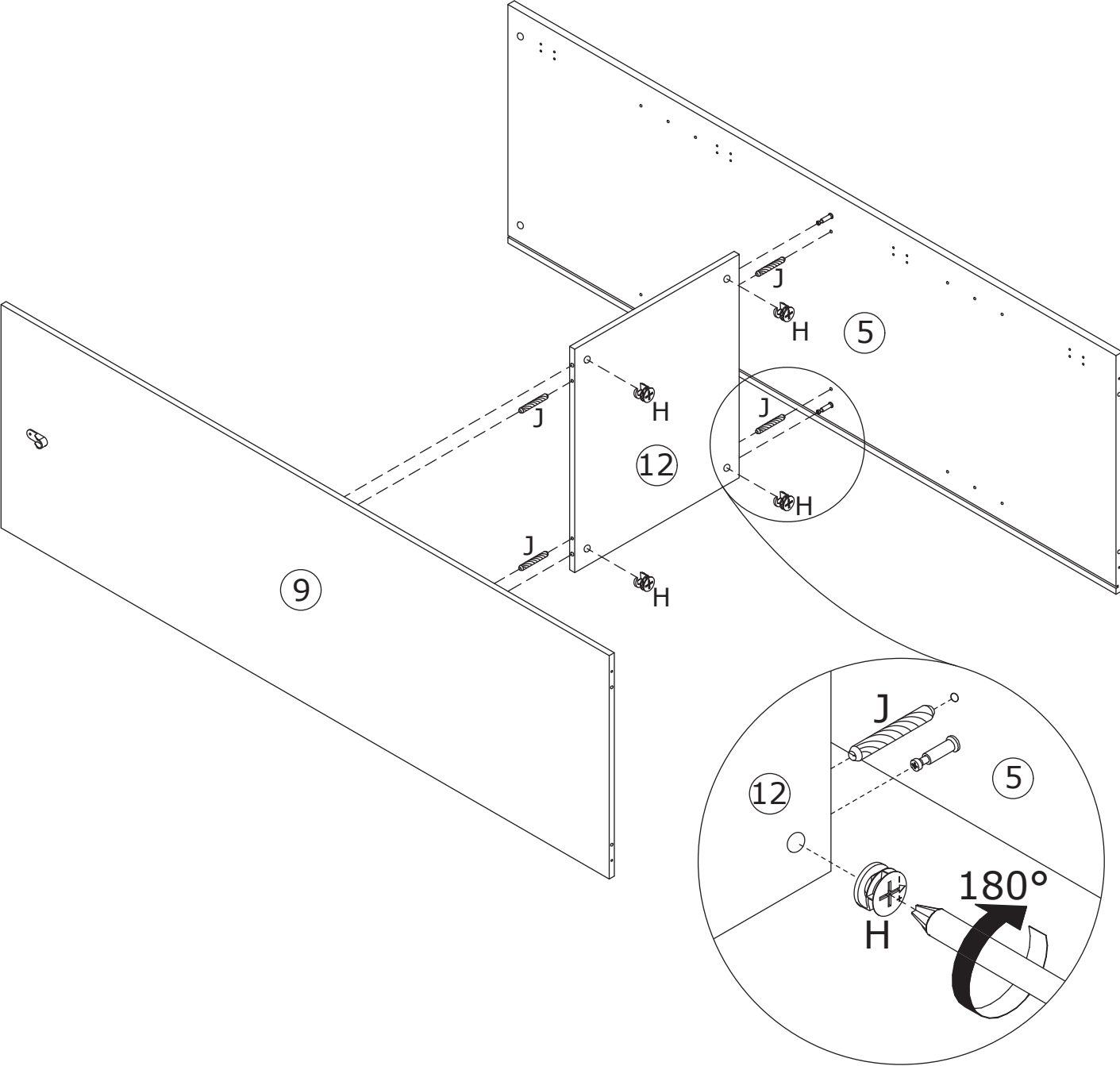
Connect board 16 to board 4 and 8, add cam lock(H) into board 16 and turn clockwise to tighten as shown.



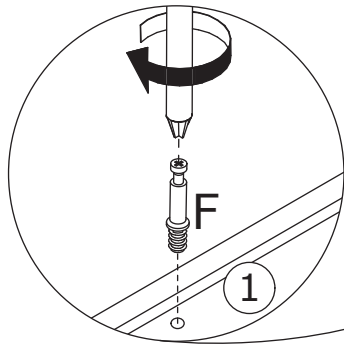
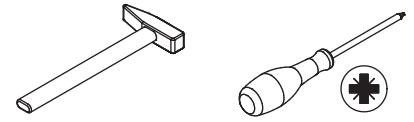
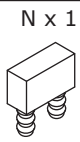
17



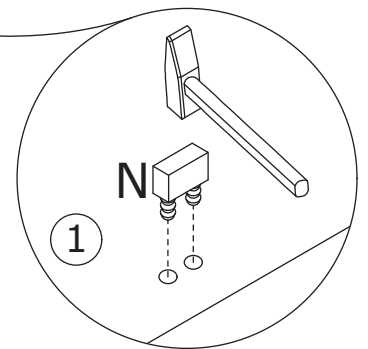
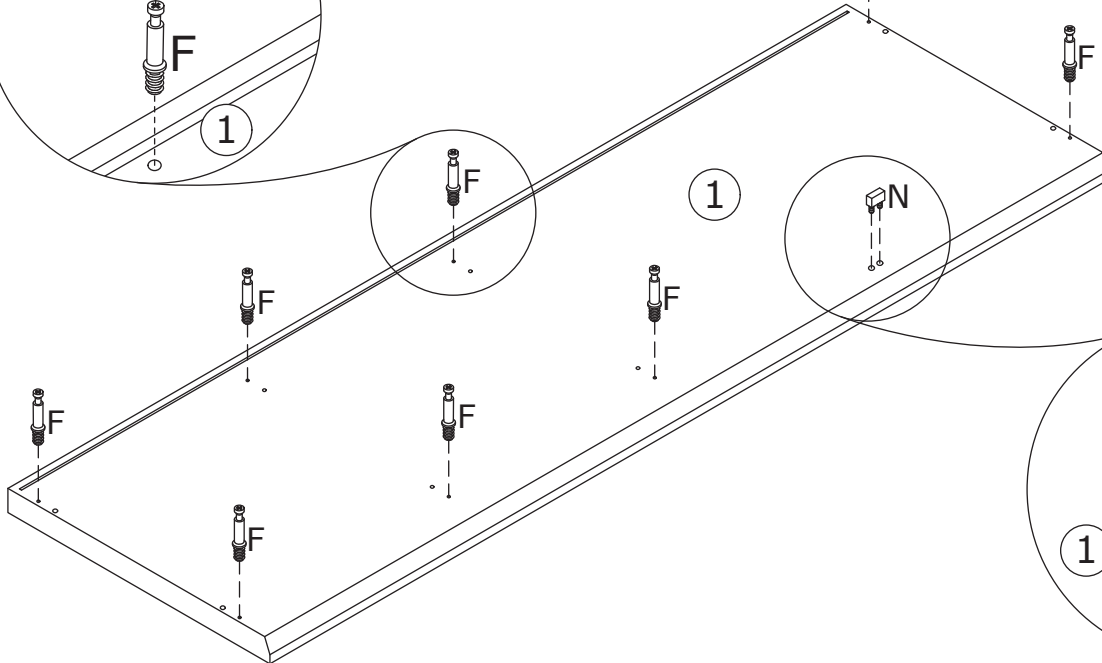
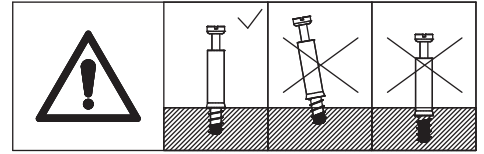
Connect board 12 to board 5 and 9 using wooden dowel(J), add cam lock(H) into board 12 and turn clockwise to tighten as shown.



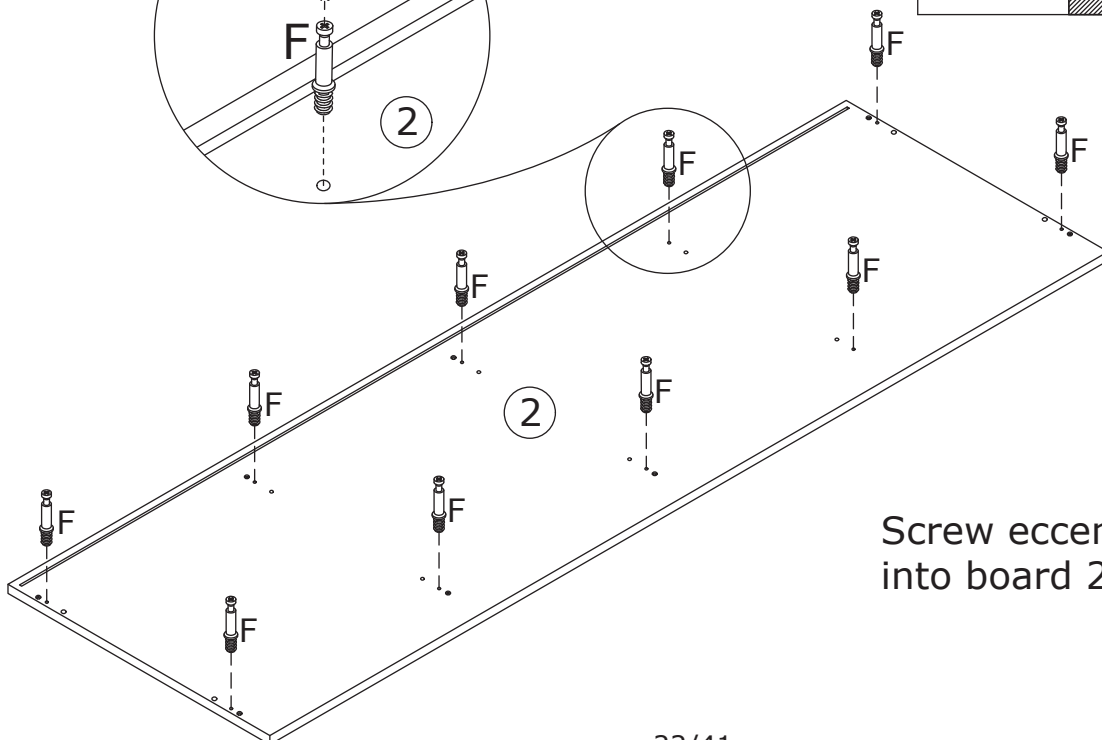
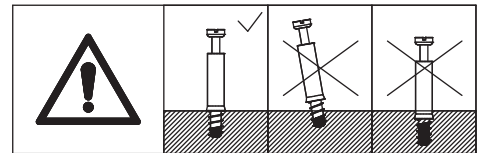
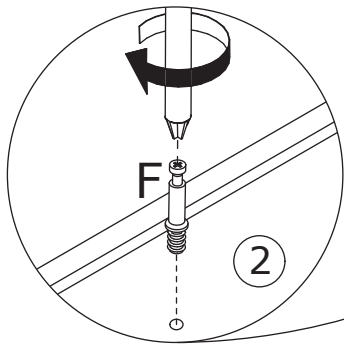
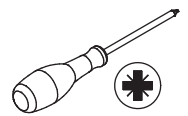
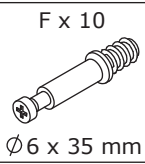
18



Screw eccentric rod(F) into board 1 and knock part(N) into as shown.

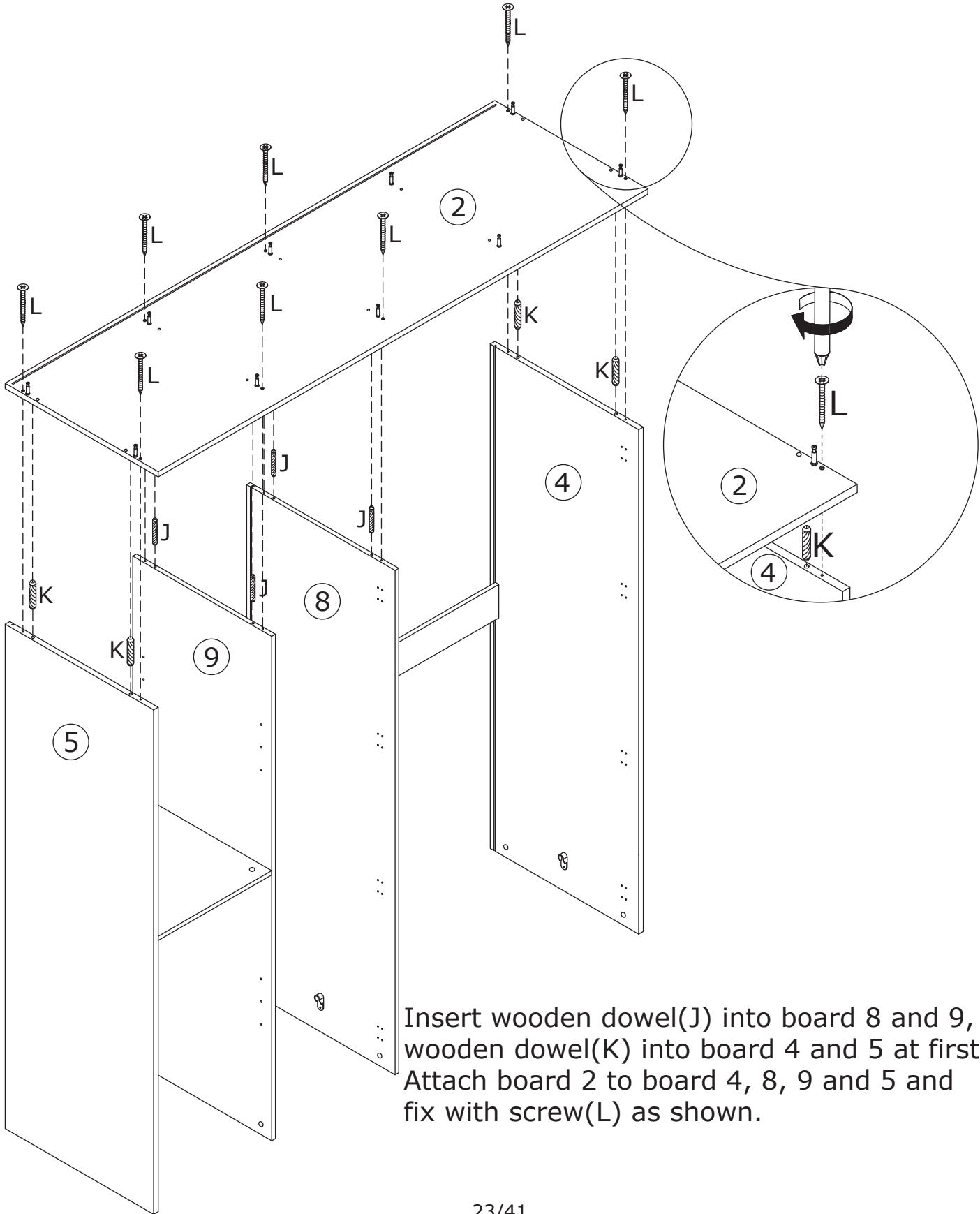
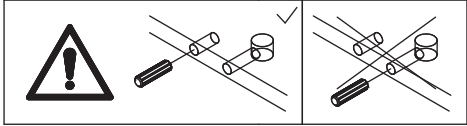
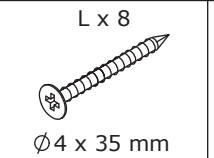
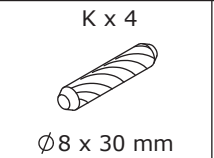
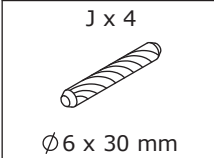


19



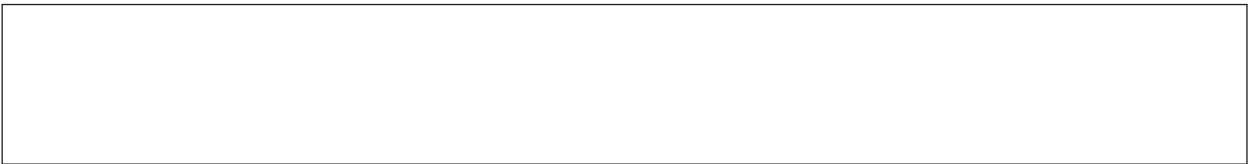
Screw eccentric rod(F) into board 2 as shown.

20

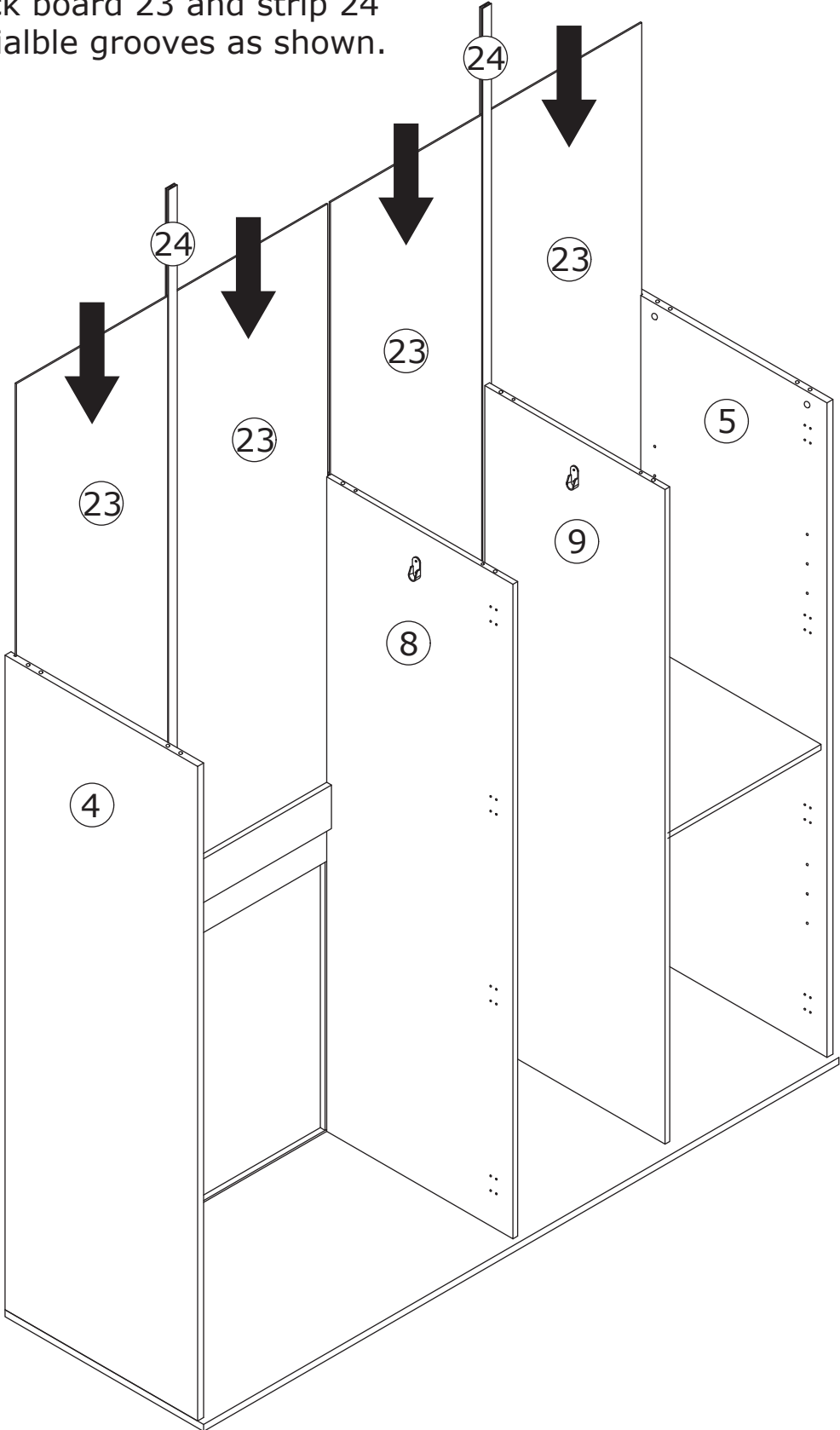


Insert wooden dowel(J) into board 8 and 9, wooden dowel(K) into board 4 and 5 at first. Attach board 2 to board 4, 8, 9 and 5 and fix with screw(L) as shown.

21



Insert back board 23 and strip 24 along available grooves as shown.



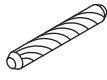
22

H x 8



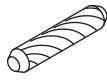
Ø15 x 10 mm

J x 4

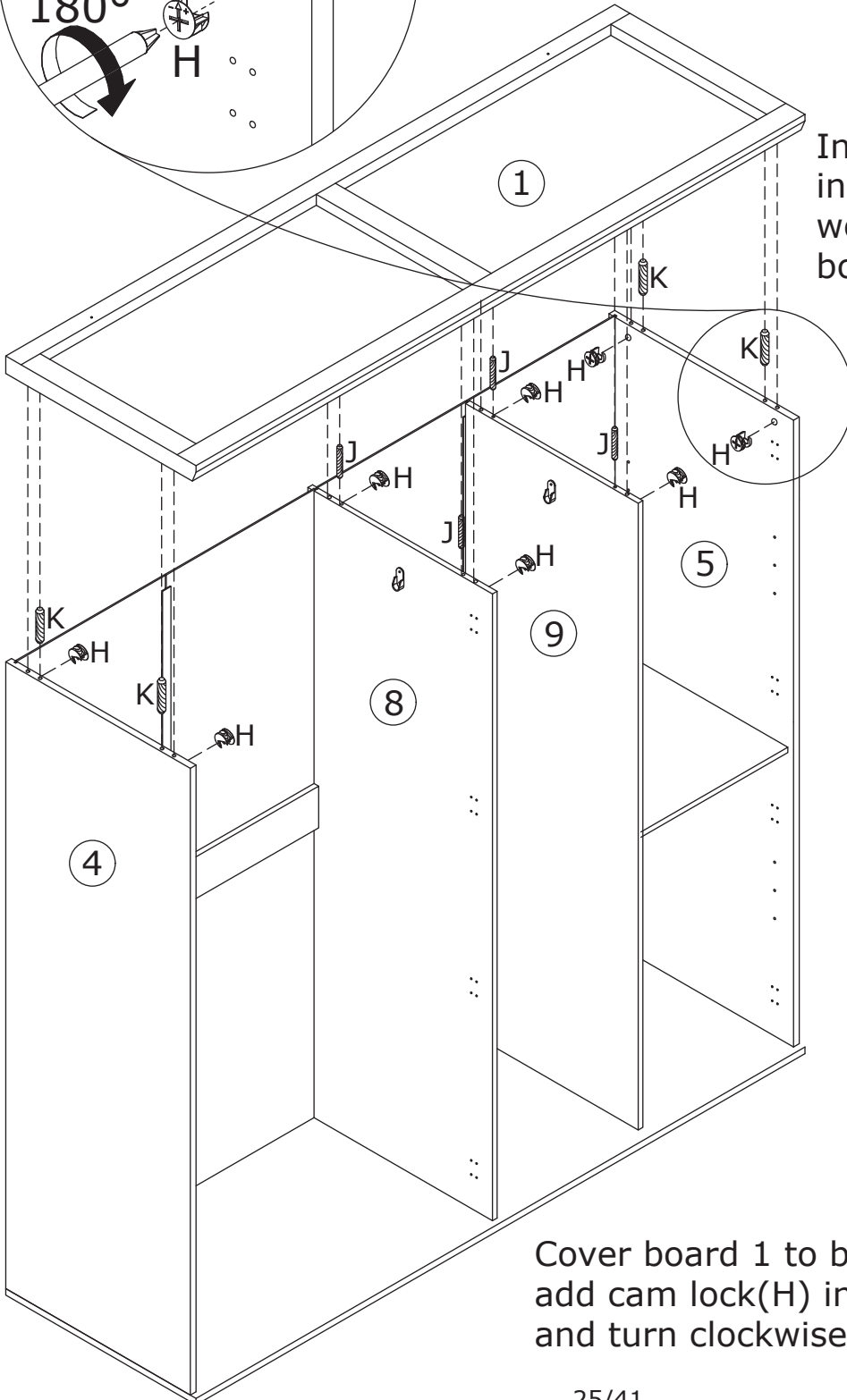
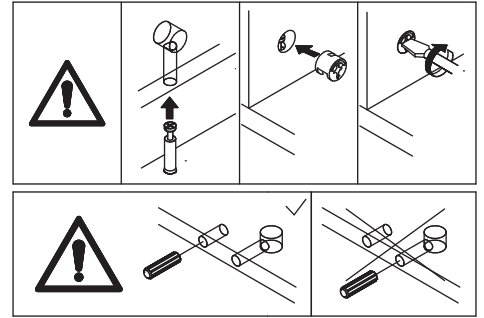
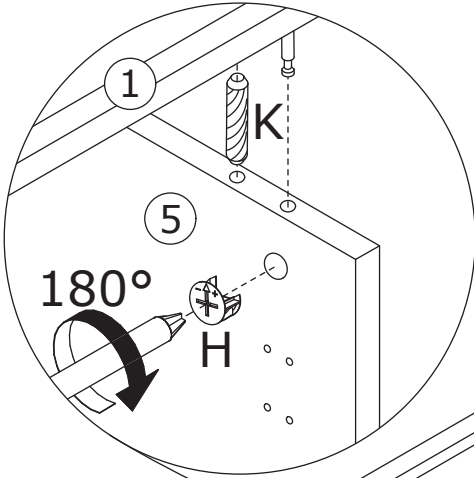
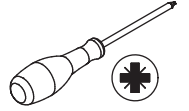


Ø6 x 30 mm

K x 4



Ø8 x 30 mm

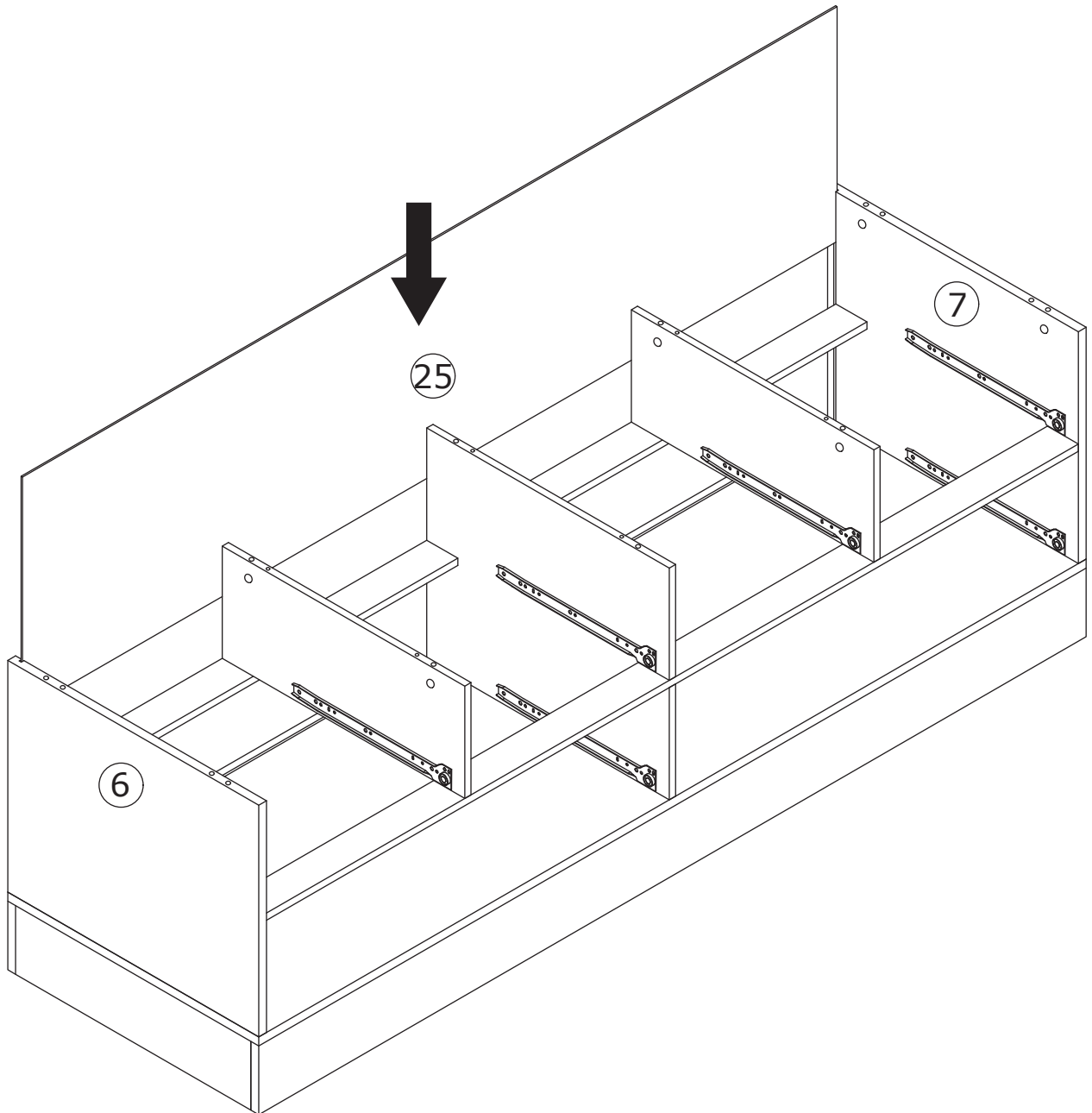


Insert wooden dowel(J) into board 8 and 9, wooden dowel(K) into board 4 and 5 at first.

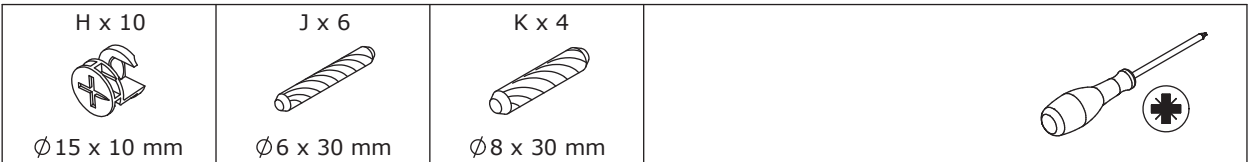
Cover board 1 to board 4, 8, 9 and 5, add cam lock(H) into board 4,8,9,5 and turn clockwise to tighten as shown.

23

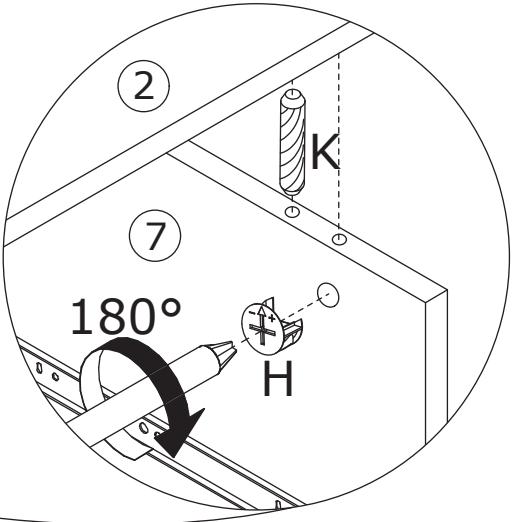
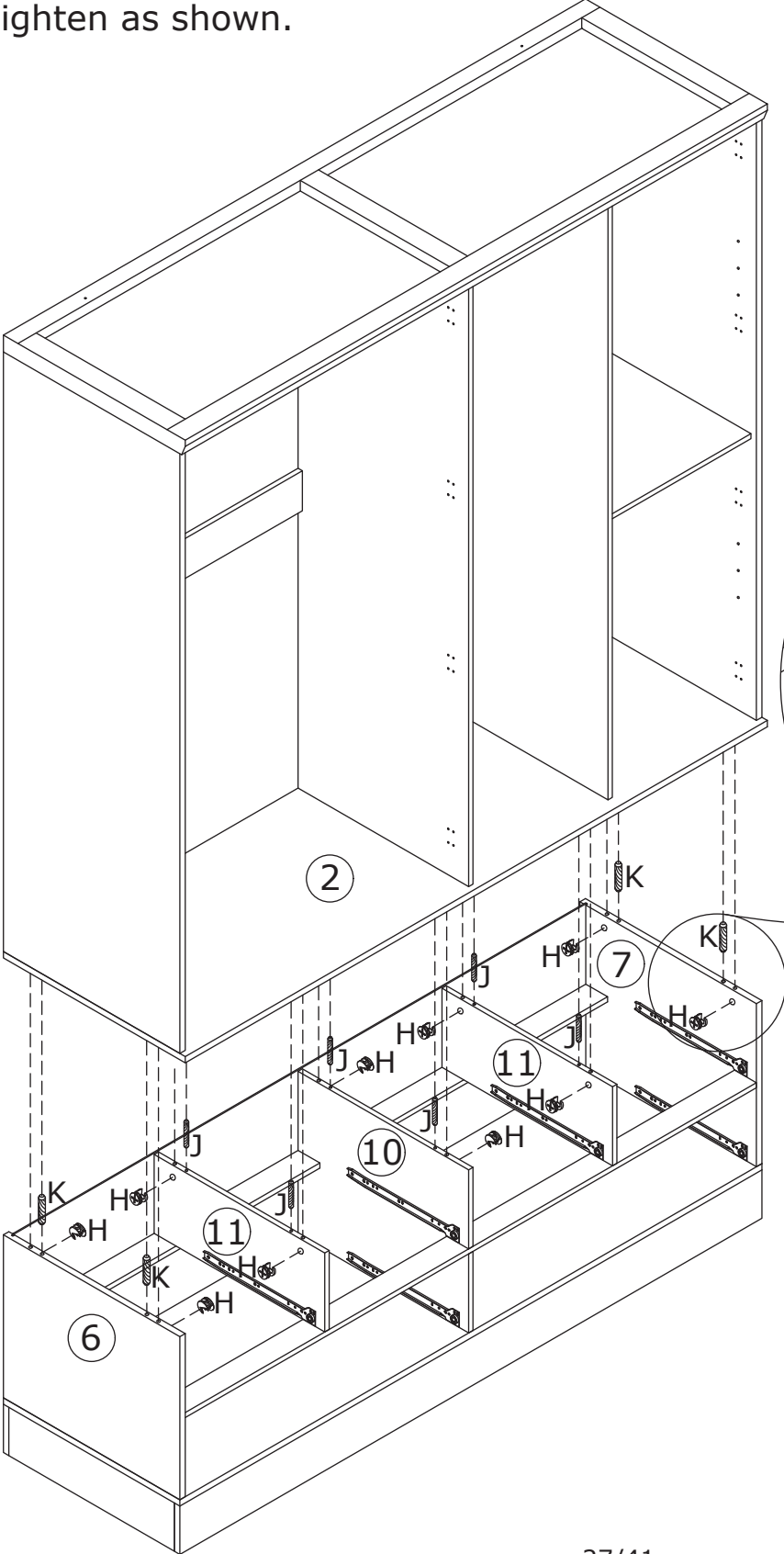
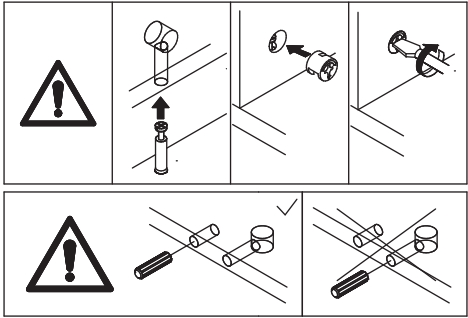
Insert back board 23 along available grooves of the component (assembled in step 11) as shown.



24

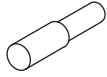


Insert wooden dowel(J) into board 10 and 11, wooden dowel(K) into board 6 and 7 at first. Connect the two components, add cam lock(H) into board 6,11,10,7 and turn clockwise to tighten as shown.

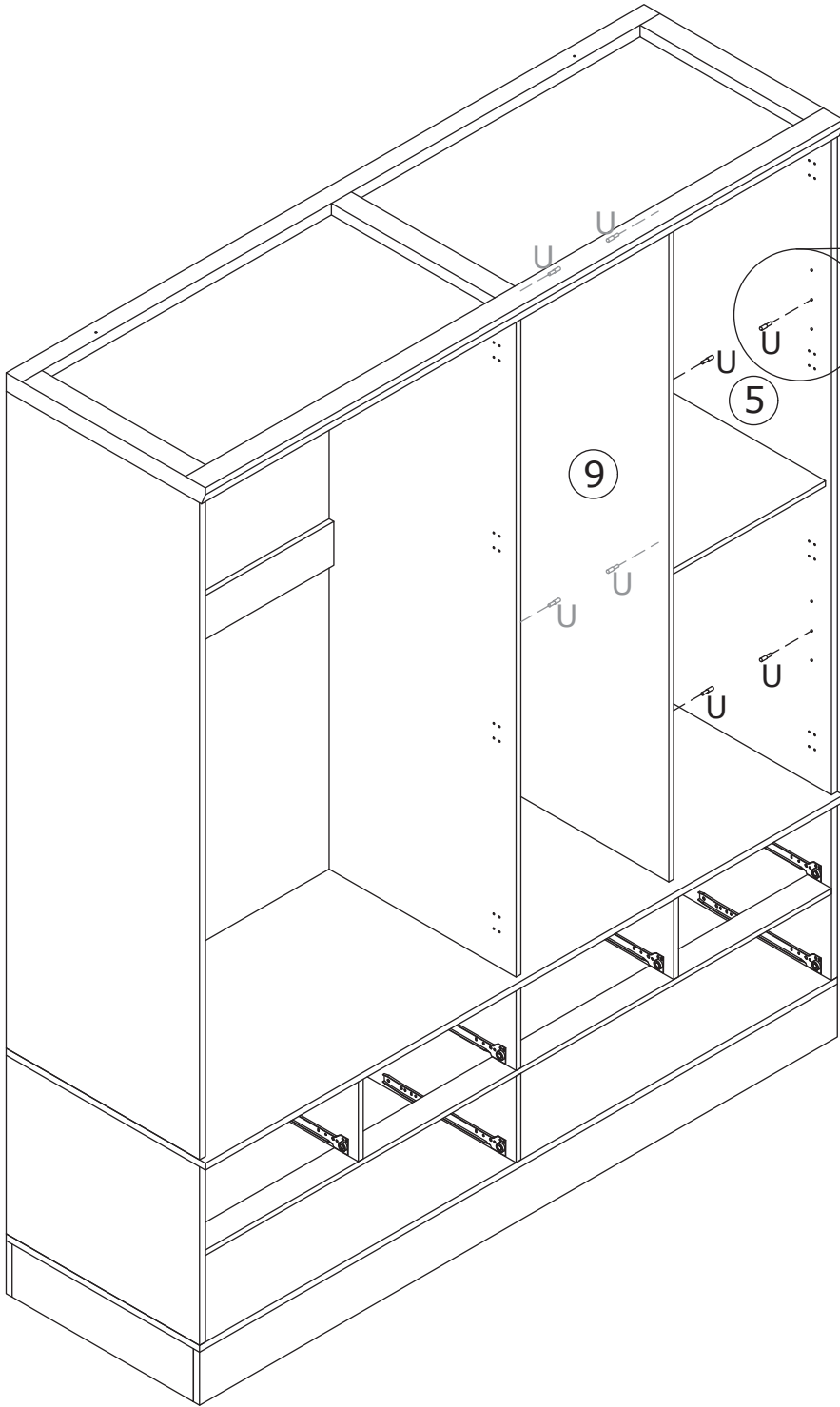
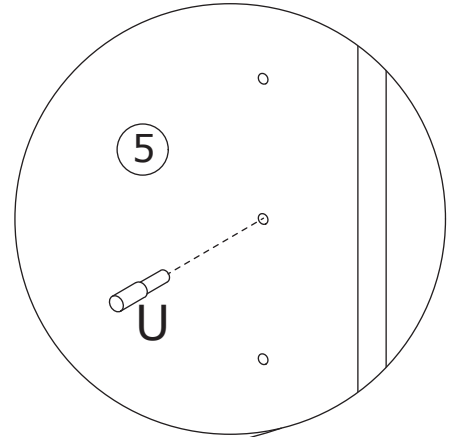


25

U x 8

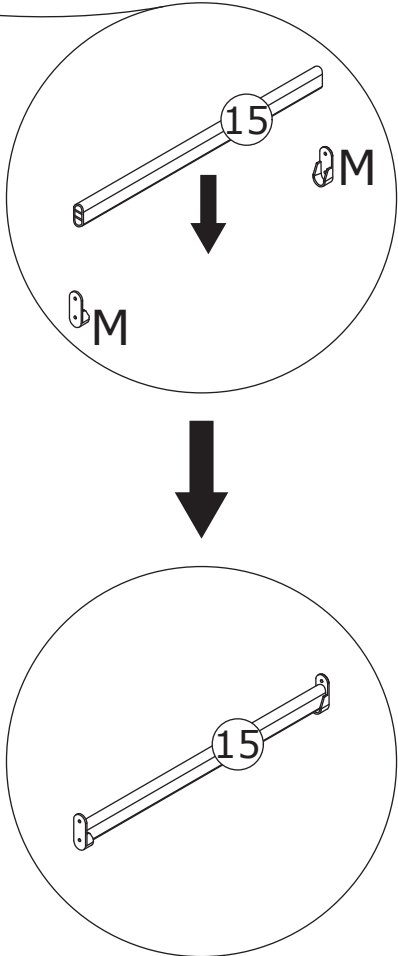
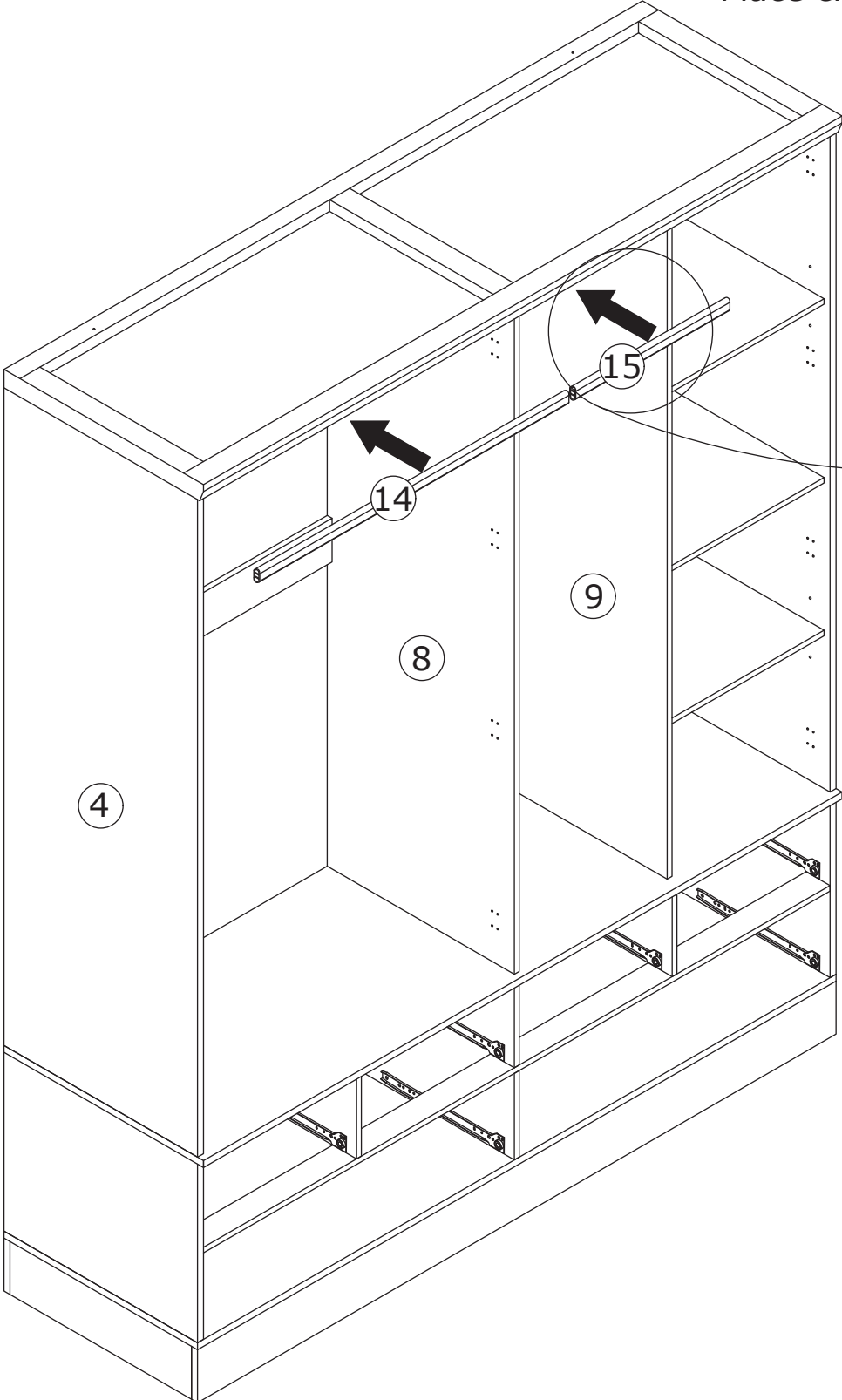


Insert layer pin(U) into board 5 and 9, then place shelf board 13 on.


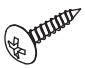


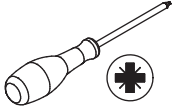


26

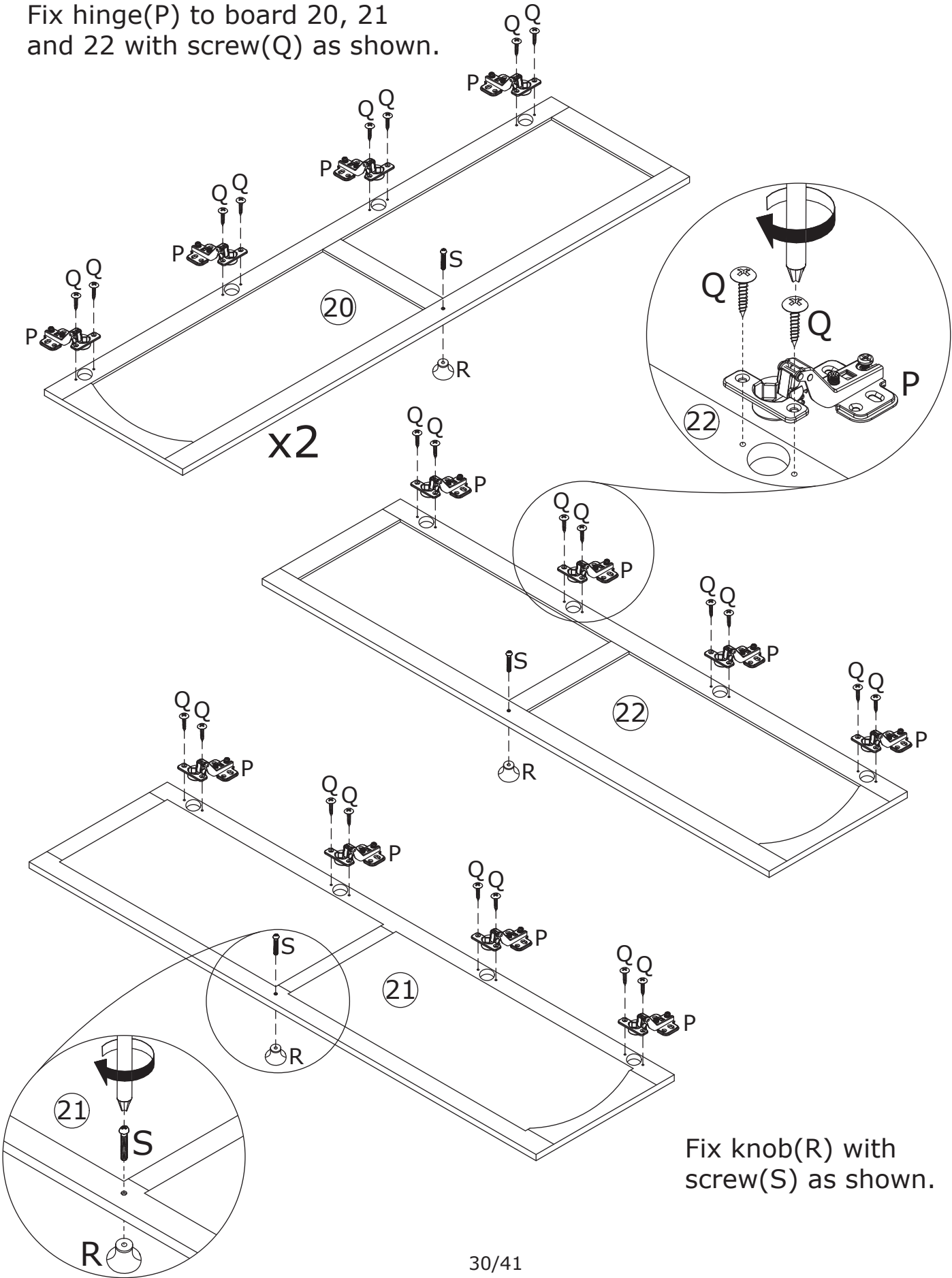
Place clothing rod 14 and 15.



27

<p>P x 16</p> 	<p>Q x 32</p> <p>Ø4 x 12 mm</p> 	<p>R x 4</p> 	<p>S x 4</p> <p>Ø4 x 18 mm</p> 	
---	---	--	---	---

Fix hinge(P) to board 20, 21 and 22 with screw(Q) as shown.



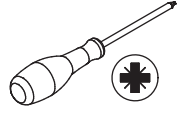
Fix knob(R) with screw(S) as shown.

28

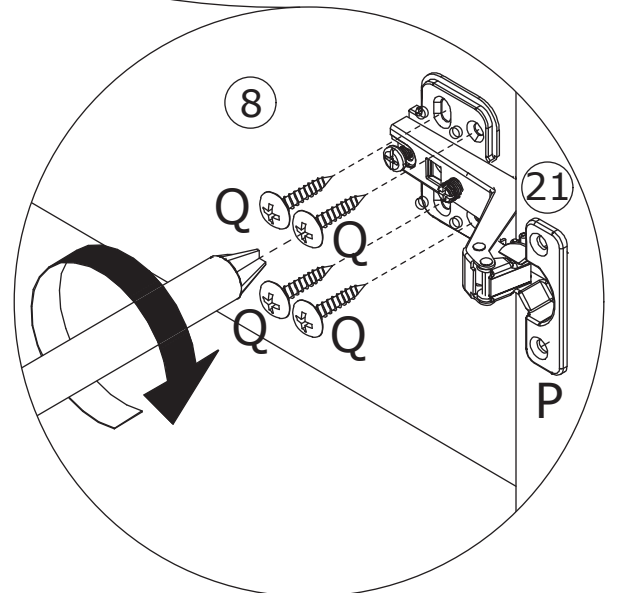
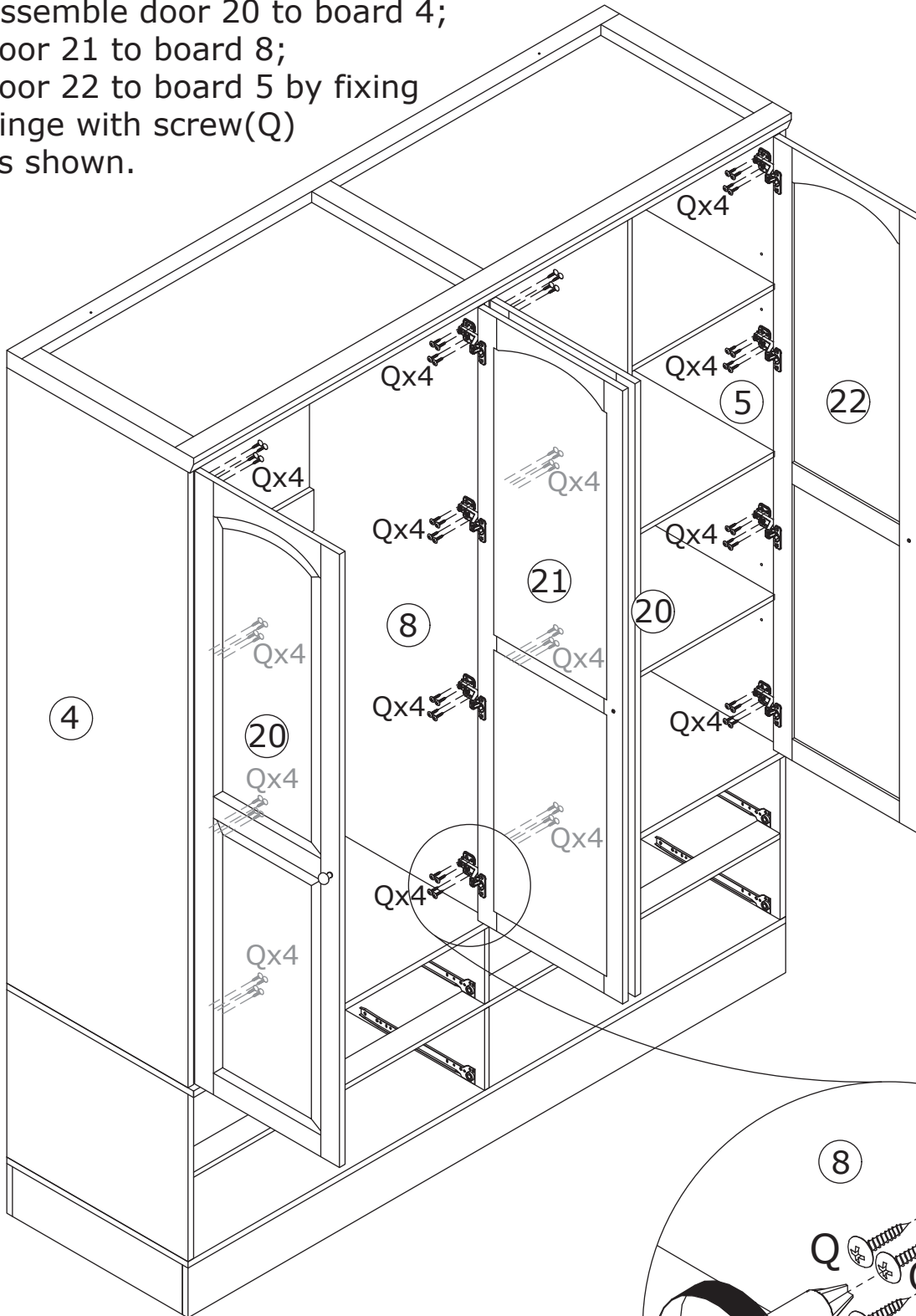
Q x 64



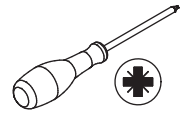
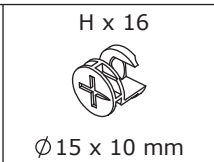
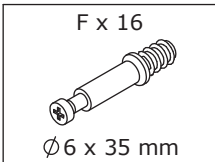
Ø4 x 12 mm



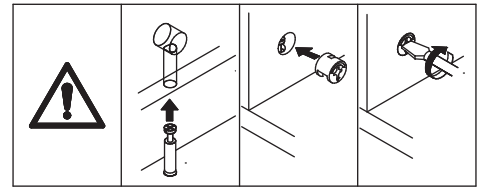
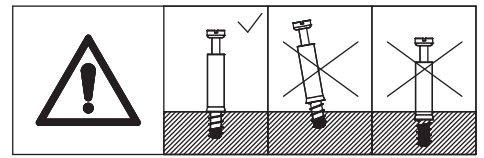
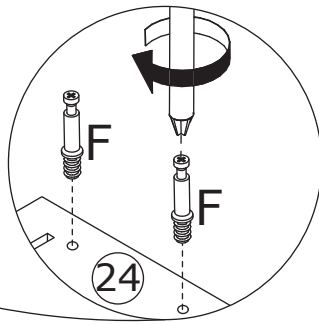
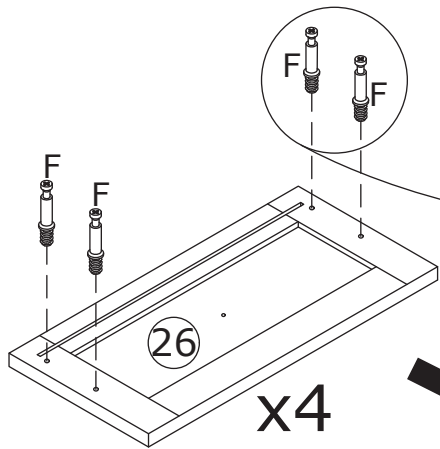
Assemble door 20 to board 4;
door 21 to board 8;
door 22 to board 5 by fixing
hinge with screw(Q)
as shown.



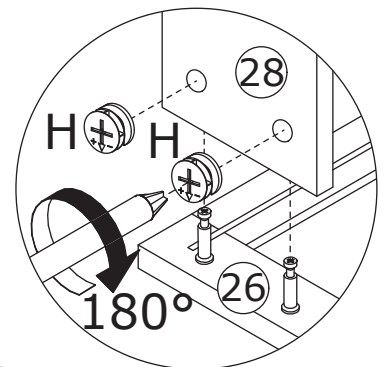
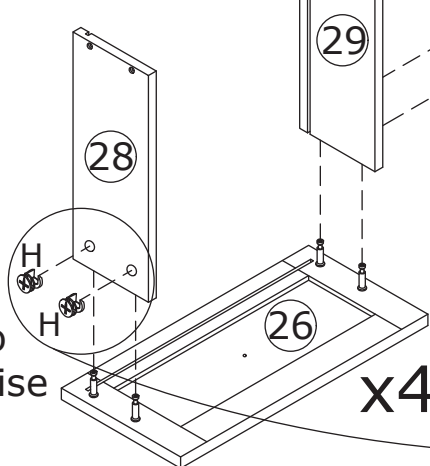
29



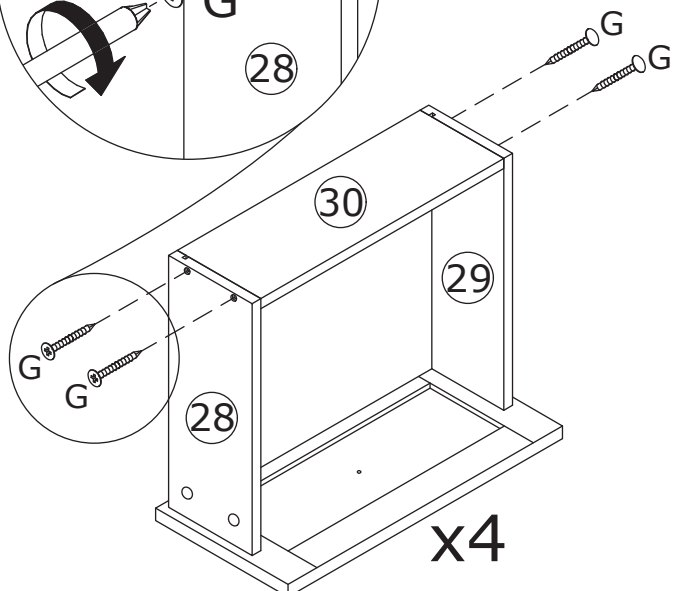
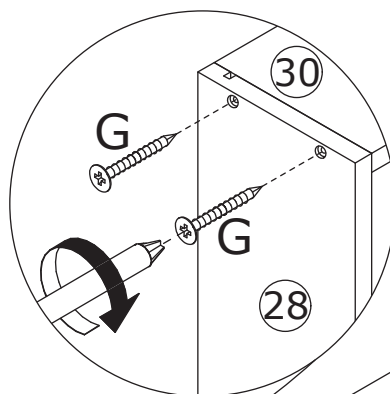
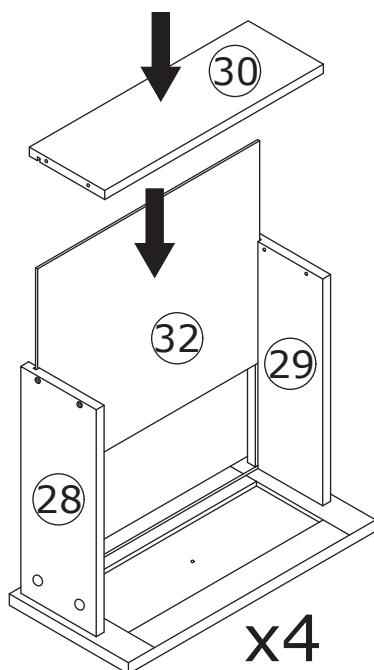
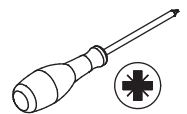
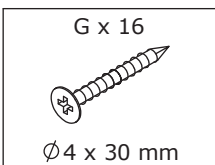
Screw eccentric rod(F) into board 26.



Attach board 26 to board 28 and 29, add cam lock(H) into board 28,29 and turn clockwise to tighten as shown.

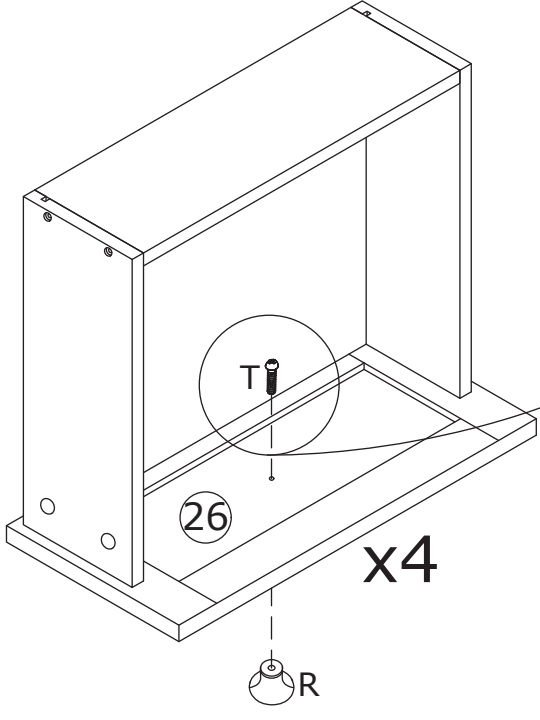
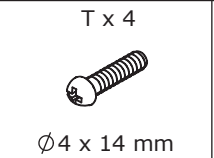
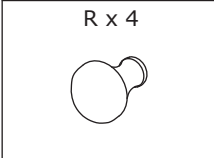


30

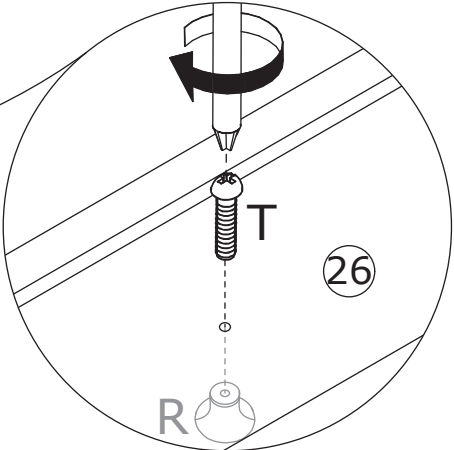


Insert bottom board 32 along grooves at first. Fix board 30 to board 28 and 29 with screw(G) as shown.

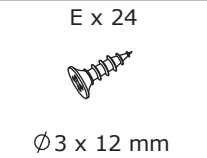
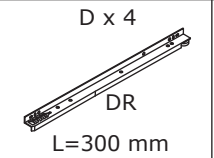
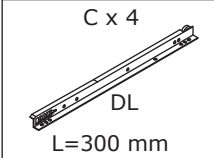
31



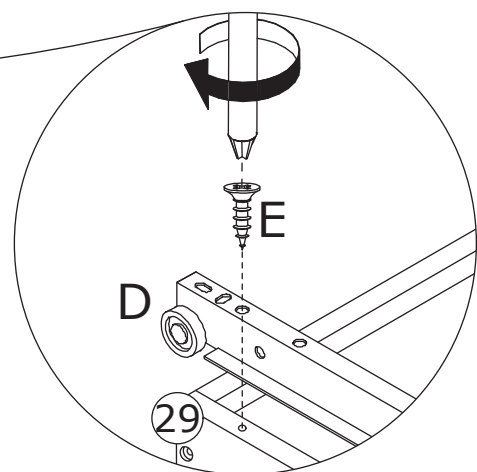
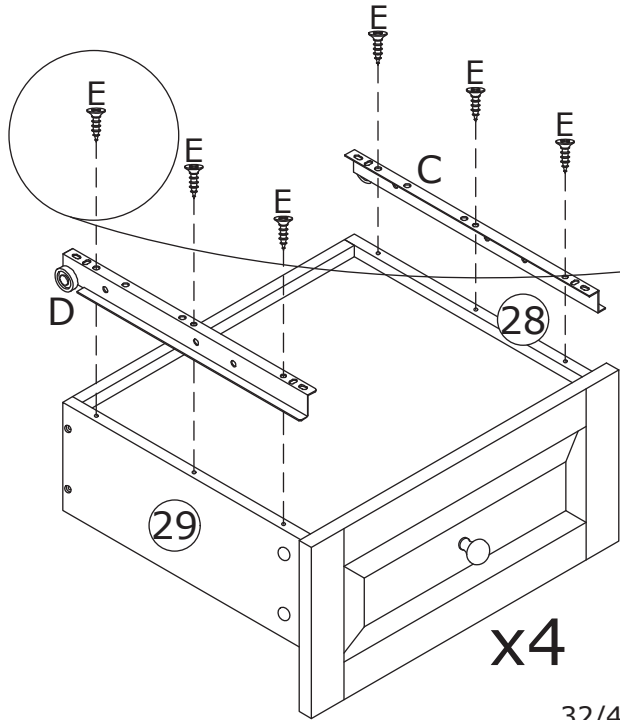
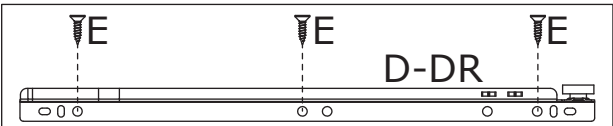
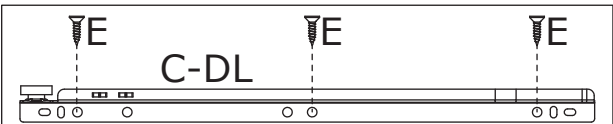
Fix knob(R) with screw(T) as shown.



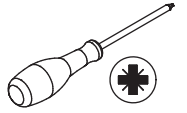
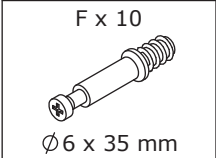
32



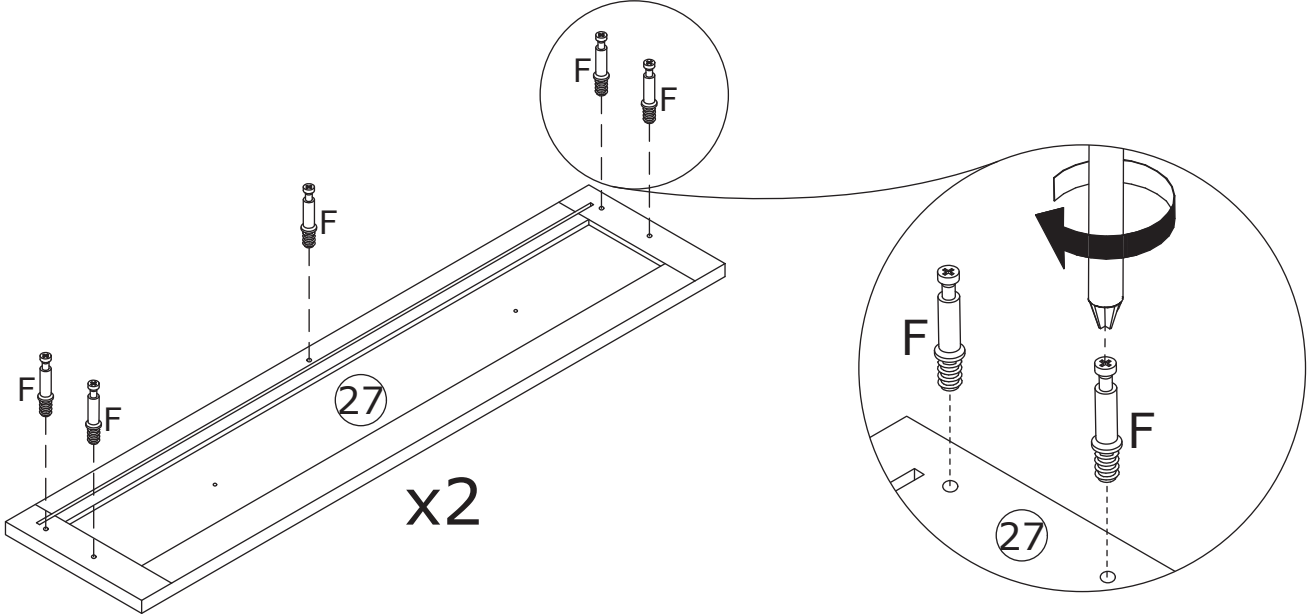
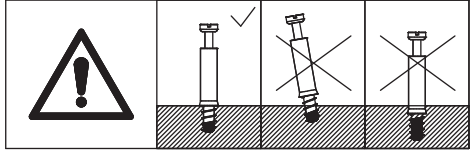
Fix runner(C) and (D) to board 26 and 27 respectively with screw(E) as shown.



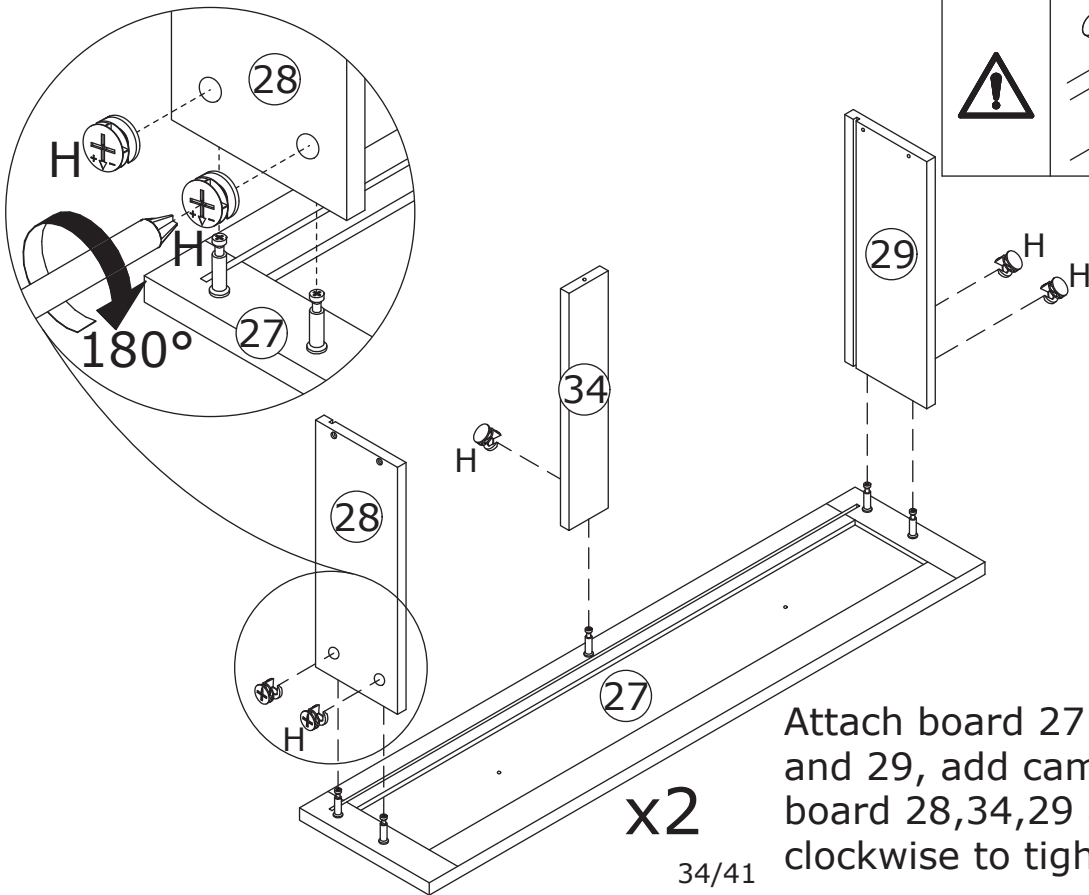
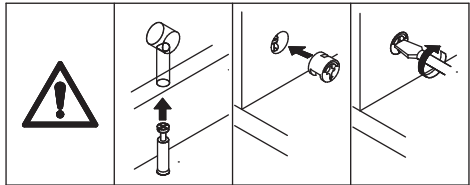
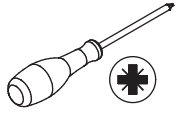
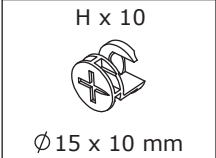
33



Screw eccentric rod(F) into board 27.



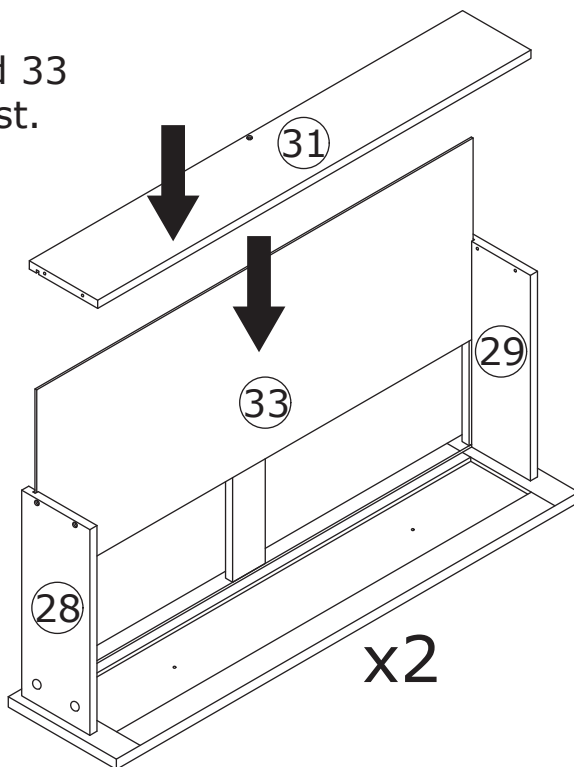
34



Attach board 27 to board 28, 34 and 29, add cam lock(H) into board 28,34,29 and turn clockwise to tighten as shown.

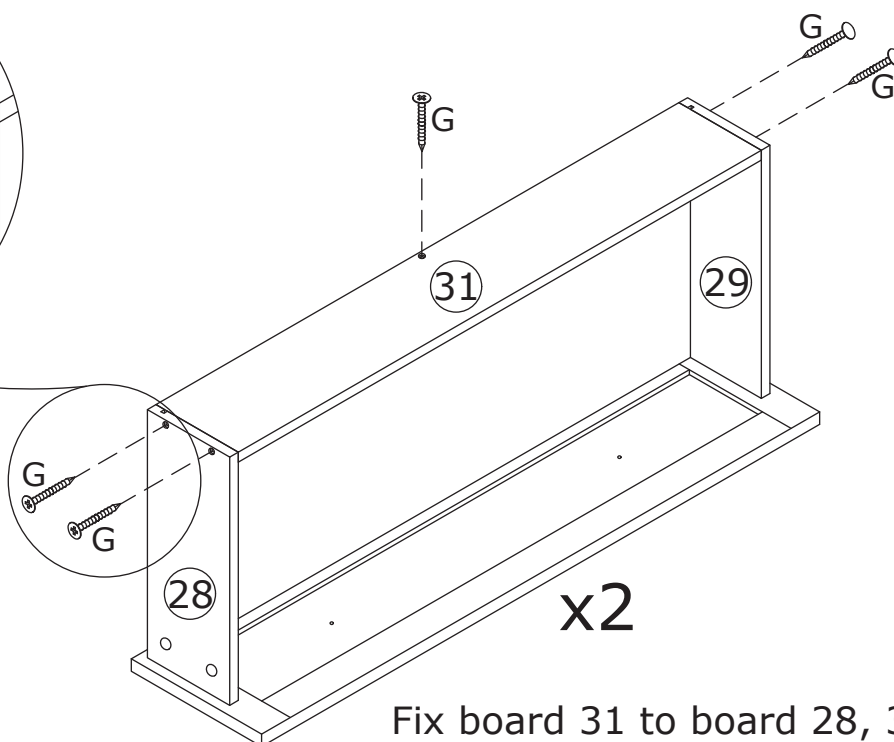
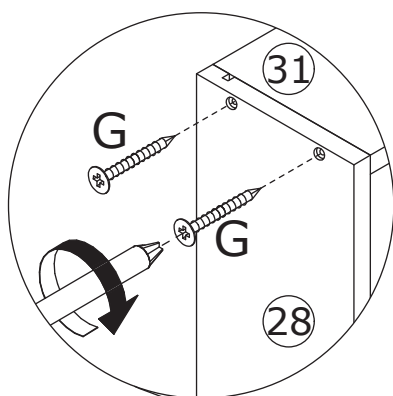
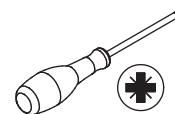
35

Insert bottom board 33
along grooves at first.



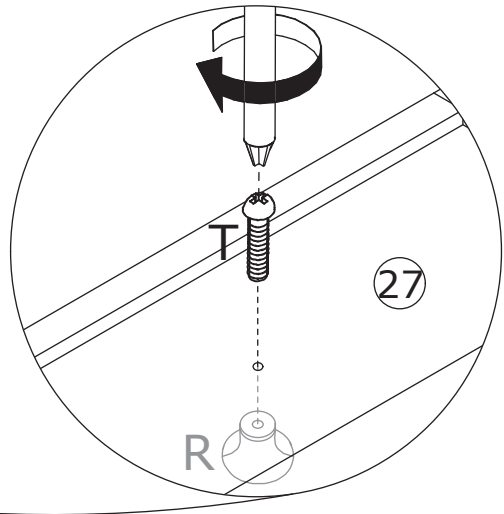
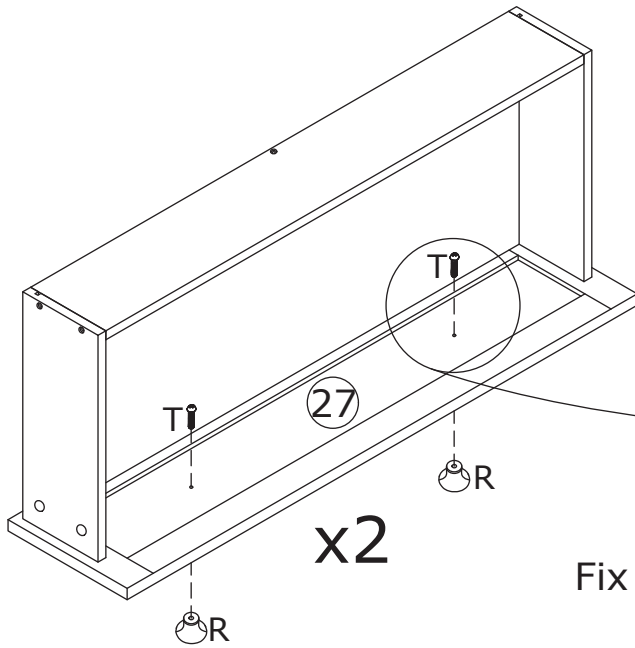
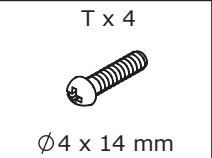
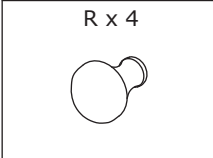
36

G x 10
Ø4 x 30 mm



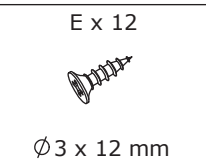
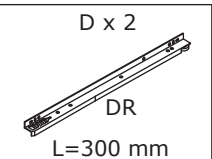
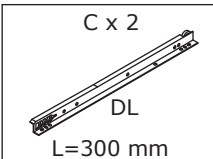
Fix board 31 to board 28, 34
and 29 with screw(G) as shown.

37

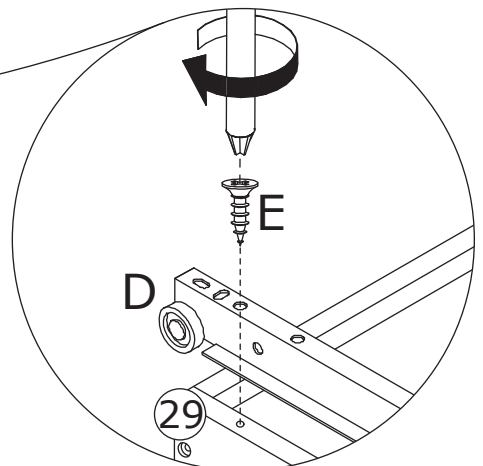
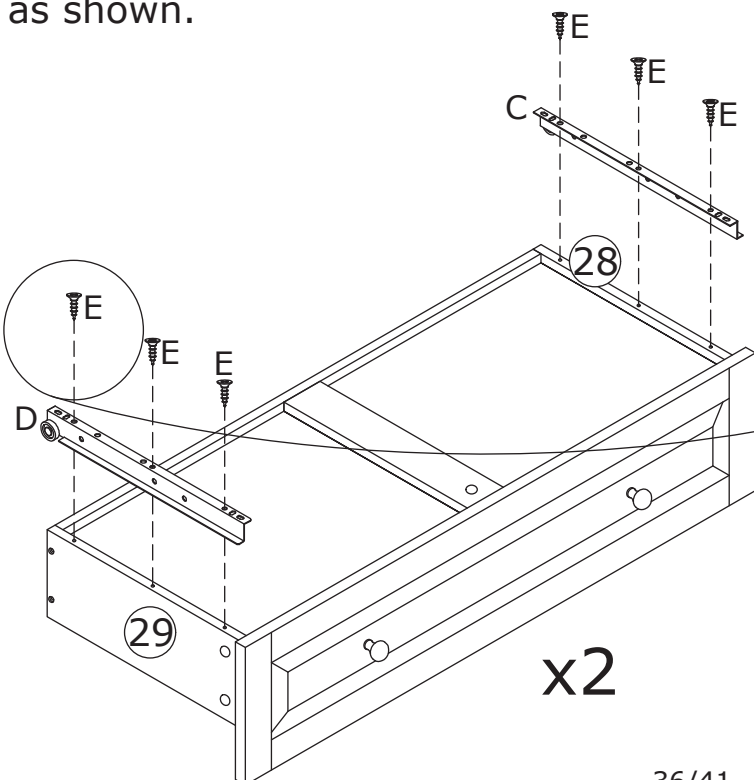
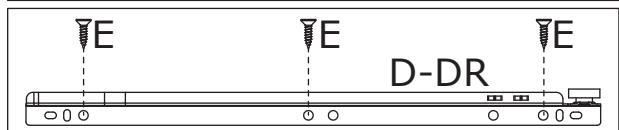
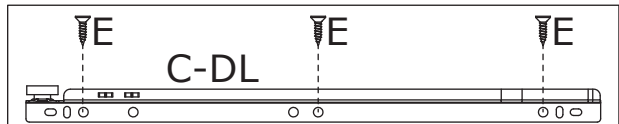


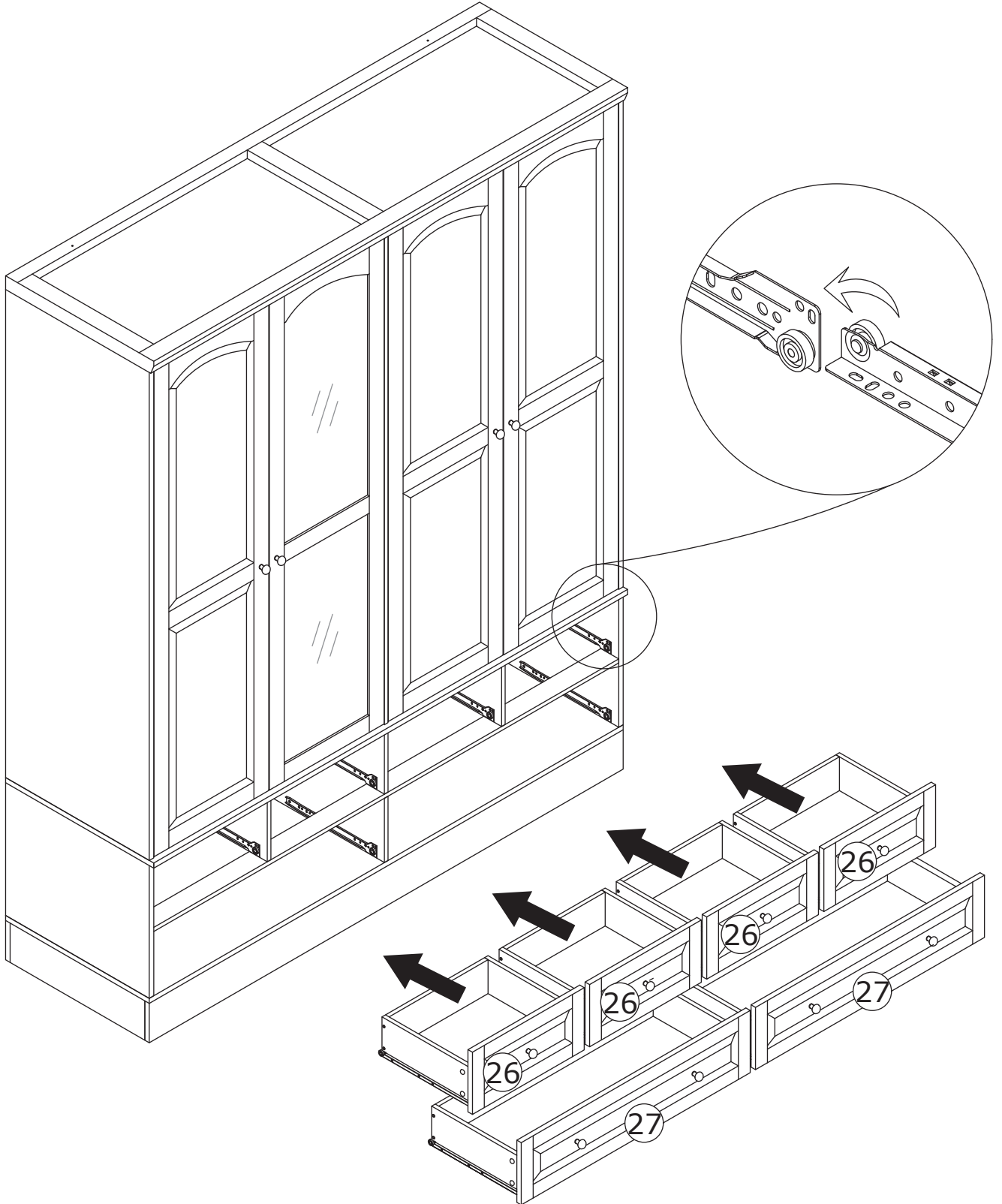
Fix knob(R) with screw(T) as shown.

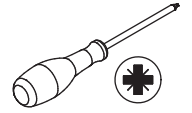
38



Fix runner(C) and (D) to board 28 and 29 respectively with screw(E) as shown.

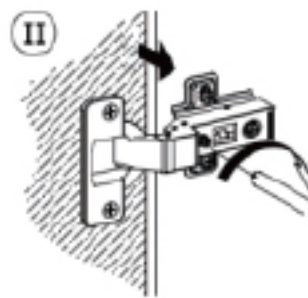
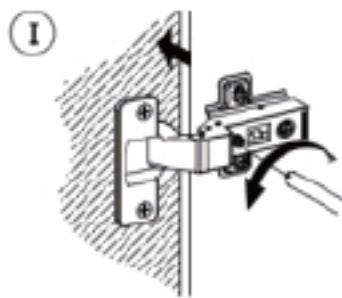
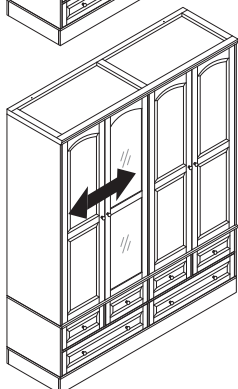
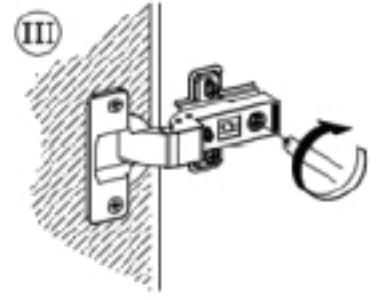
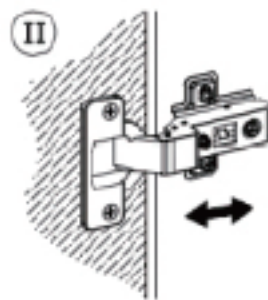
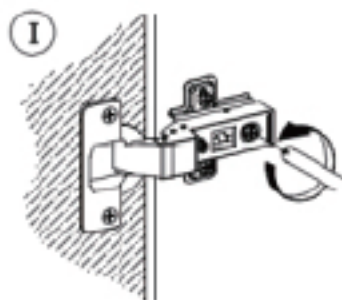
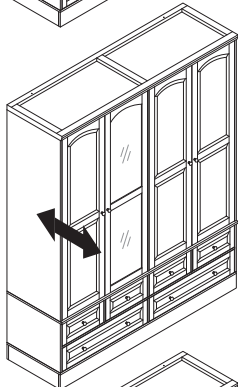
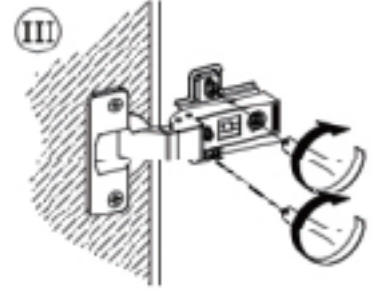
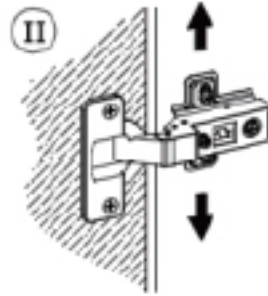
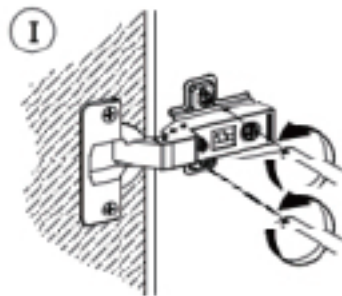
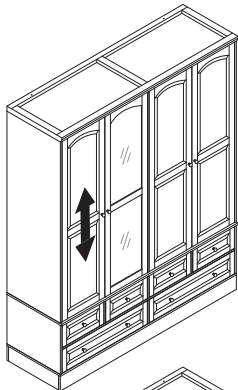
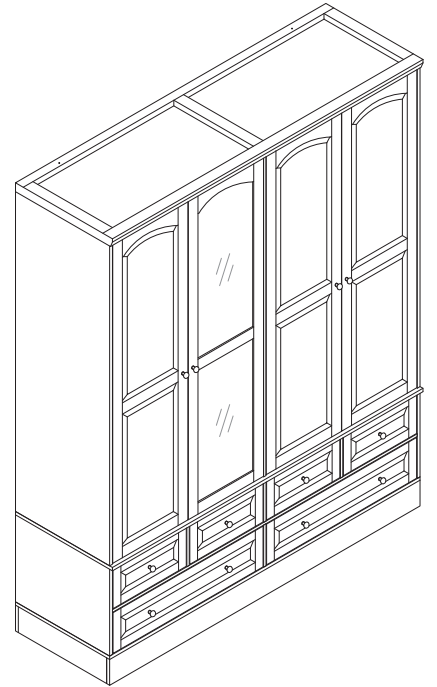




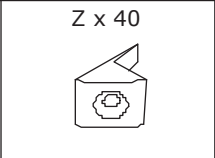
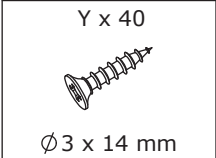


If doors are still not aligned if the hinges are properly correctly, please watch the video.

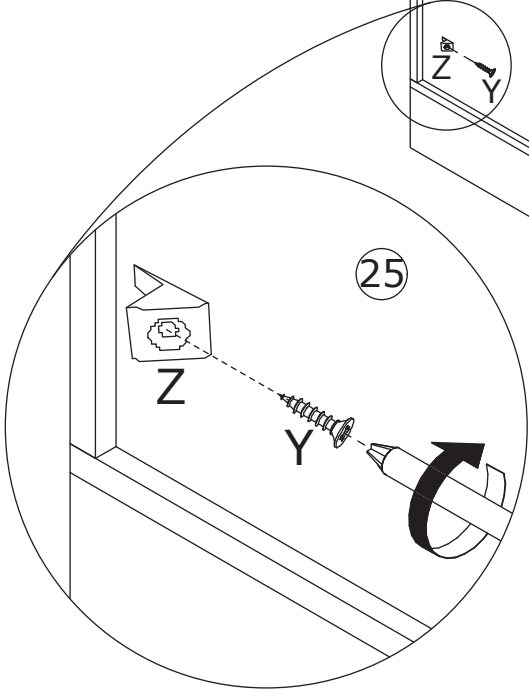
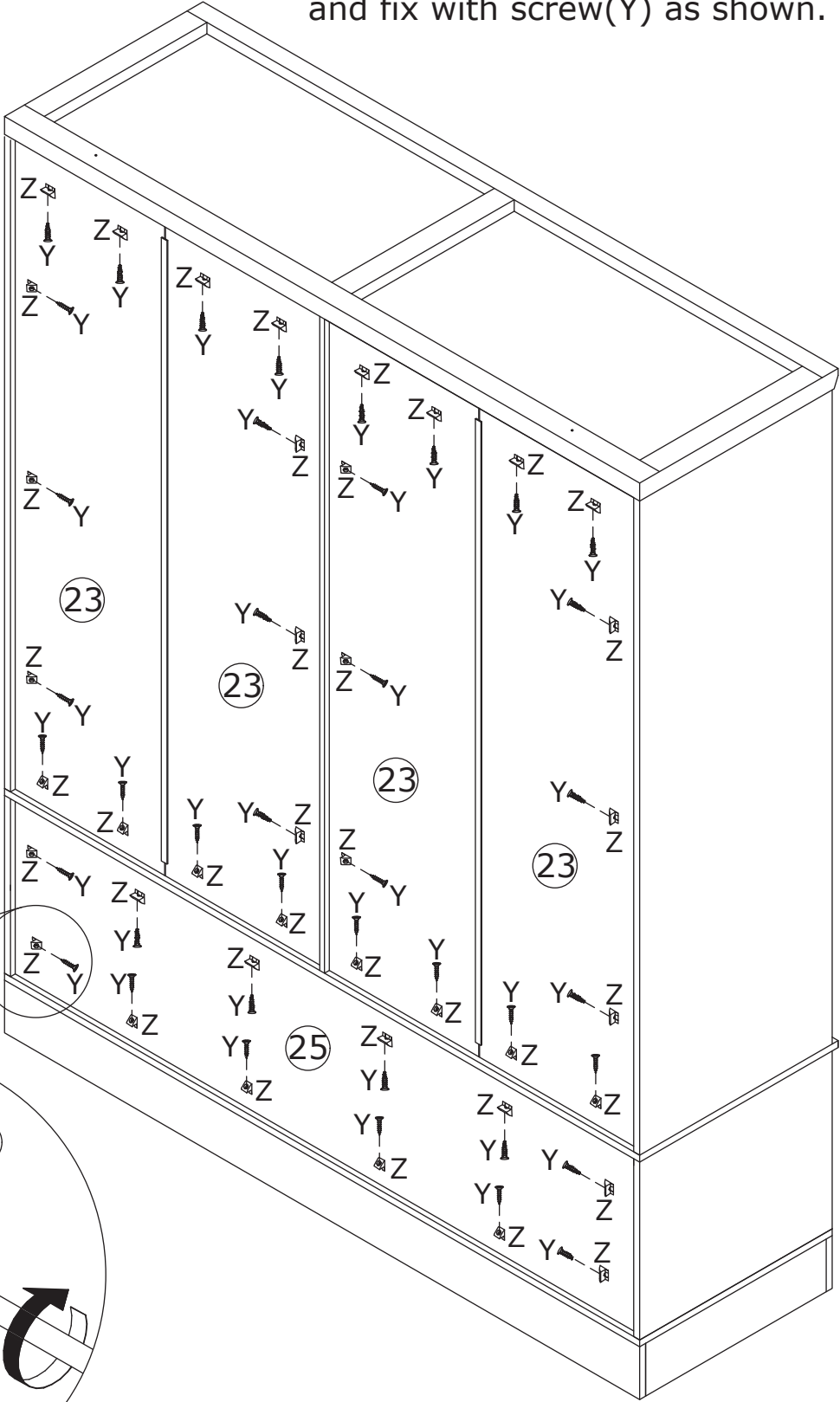
<https://youtu.be/n0Lb36SoODM>



41



Insert buckle(Z) into back slots and fix with screw(Y) as shown.



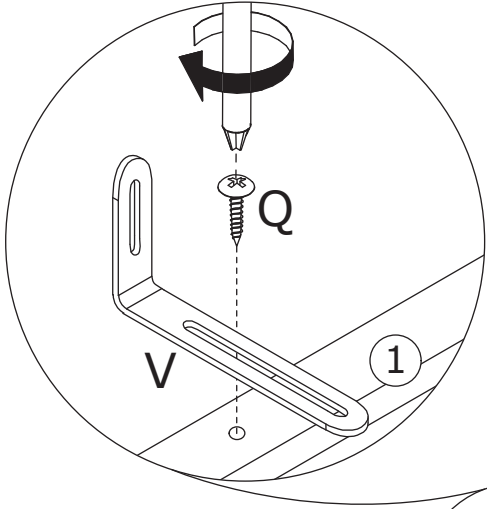
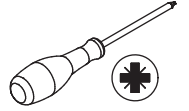
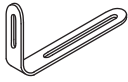
42

Q x 2

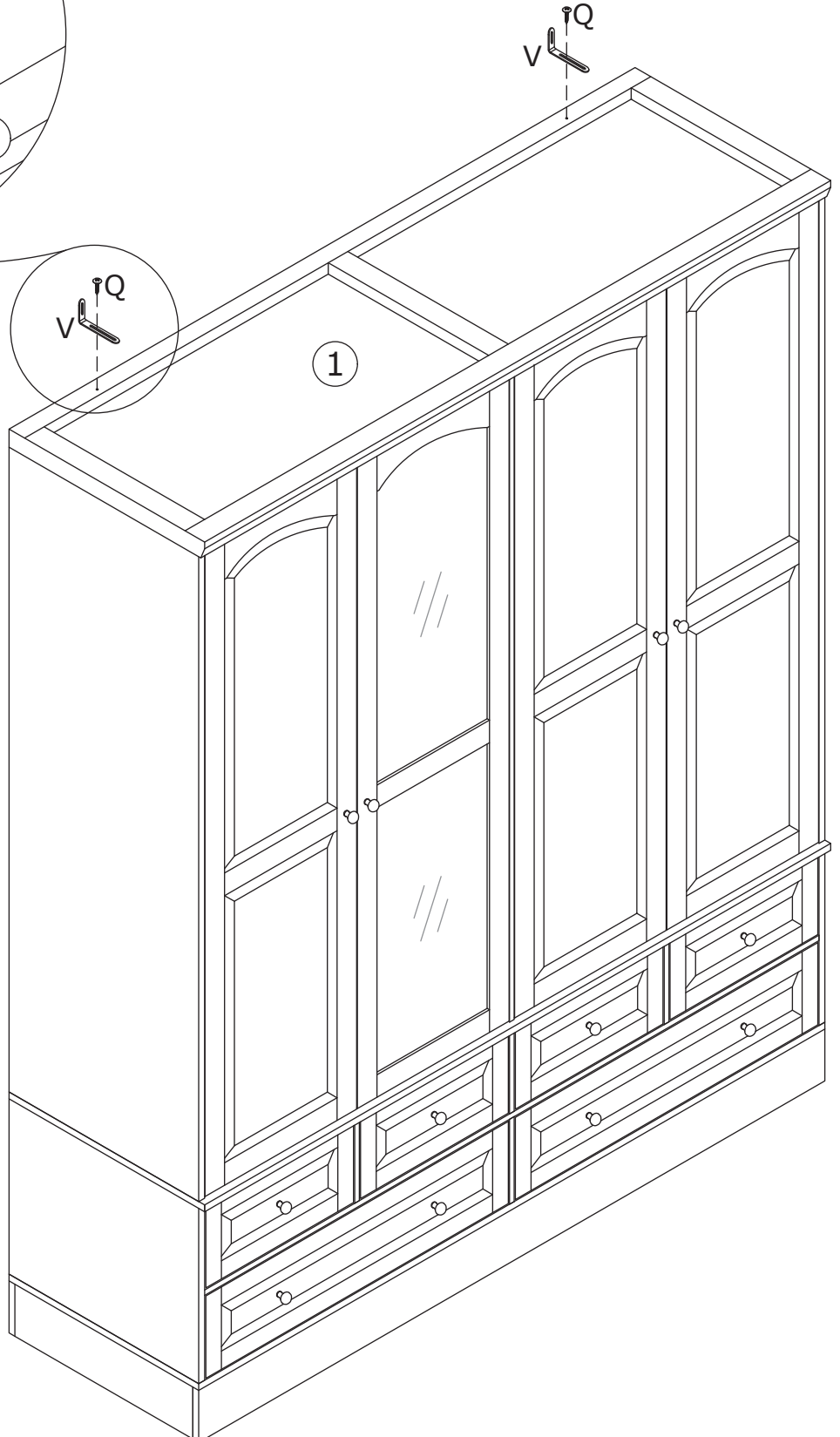


Ø4 x 12 mm

V x 2

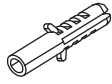


Fix part(V) to board 1 with screw(Q) as shown.

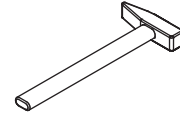
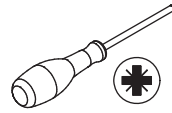
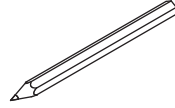
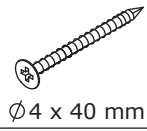


43

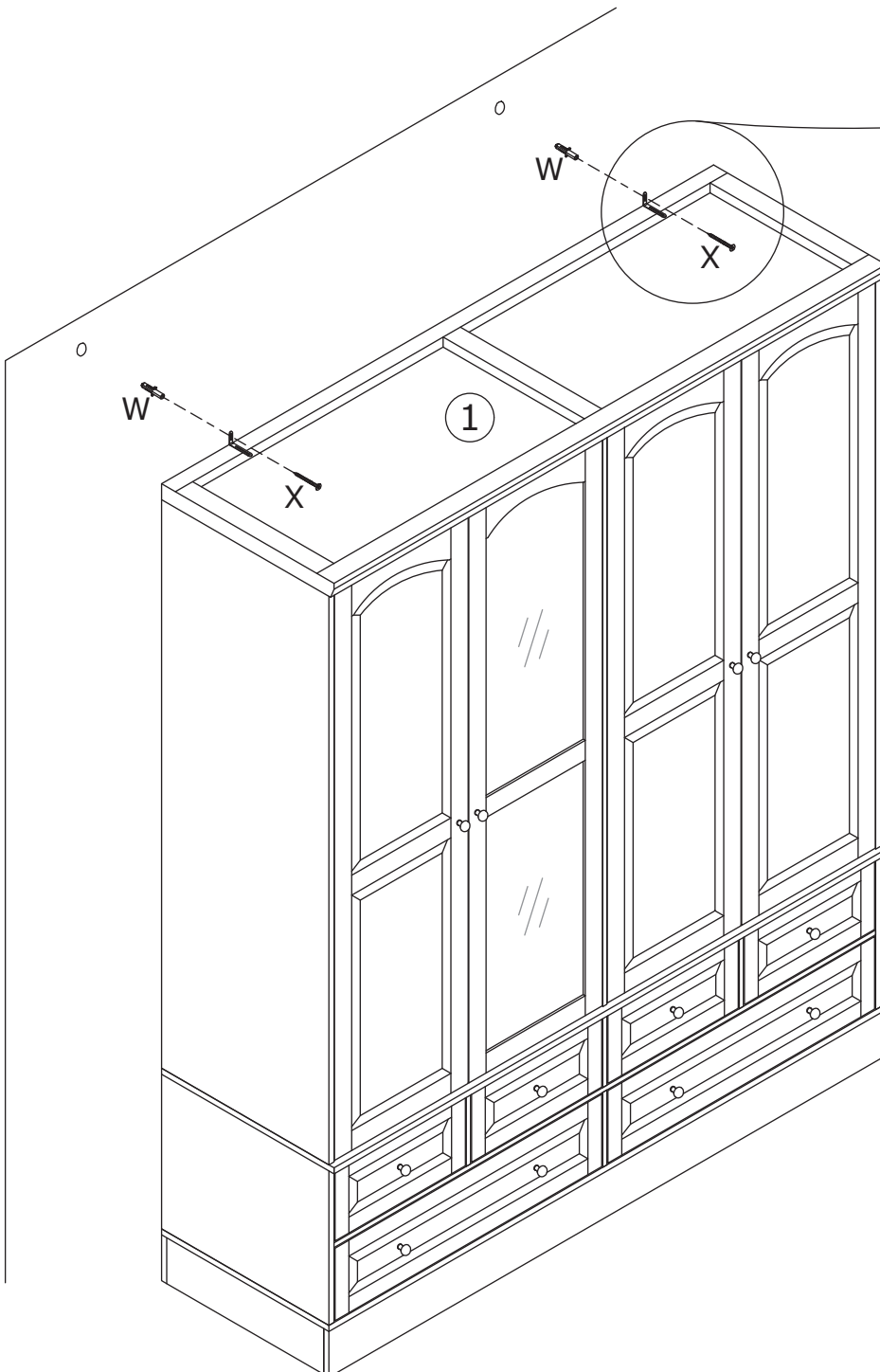
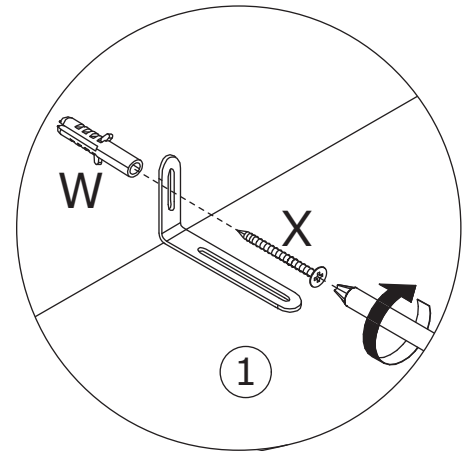
W x 2



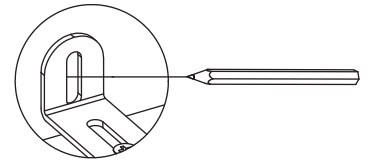
X x 2



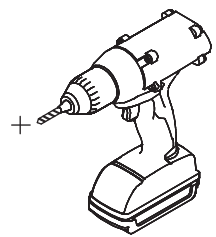
Install anti-tipping device as shown.



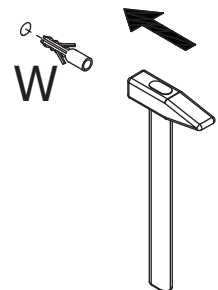
1.



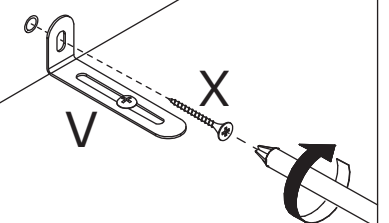
2.



3.



4.



WARRANTY

WARRANTY CLAIMS

- There is a 30-day warranty for broken furniture or any other problems that do not work properly. The warranty will start from the date of purchase which must be verified by proof of purchase.
- Before making a claim, we may be able to answer your query, simply call us. Please leave your purchase order number, along with some details of the problem, if you want a replacement part. We will arrange within 48 hours. If there is out of stock, we will reply with a shipping date.
- The product must be used in accordance with the instructions provided. For health reasons.
- For other reasons, if the furniture needs to be returned, it must be cleaned and dried and operated within 30 days of receipt.

Type of Warranty Claim

- Failure to follow the furniture instructions will invalidate the warranty. Attention please.
- Does not include damage during installation, but includes damage during transportation.

Scope of responsibility

- Shall not bear any responsibility for misuse or user damage and / or loss of parts during the installation of furniture.
- After using, the damage and scratches of the furniture are not covered by the warranty.

The Warranty Relates to All Bought in The Us and Covers The Following Areas

- Sheet parts: 1 month from the date of purchase.
- Electrical parts: 1 month from the date of purchase.

RETURNS

CHANGED YOUR MIND AND NEED TO RETURN YOU ITEM?

PLEASE FOLLOW THE BELOW INSTRUCTIONS:

- If you have purchased and have simply changed your mind, follow the retailer's instructions for returns.

DEFECTIVE ITEMS

- If your item is defective in any way, i.e. it doesn't work but you can't identify why, in the first instance, please call us.

DAMAGED ITEMS

- If you receive an order with obvious shipping damage from the retailer, then we suggest the delivery is refused. If the delivery has been accepted and then shipping damage is found, please follow the specific instructions advised by the retailer.
In all circumstances please save all packaging material and paperwork for the order. Please be aware that if you dispose of packaging material or attempt to return the merchandise without contacting the fulfiller, you jeopardise your chances of making a claim, and you may not receive a credit for the return.

AFTER-SALES CONTACT



feedbackstation@163.com



(303)800-6387