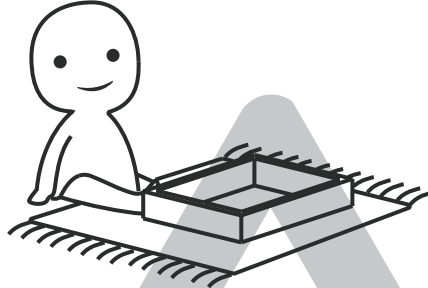
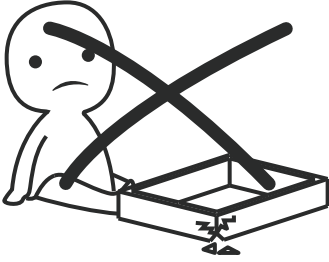


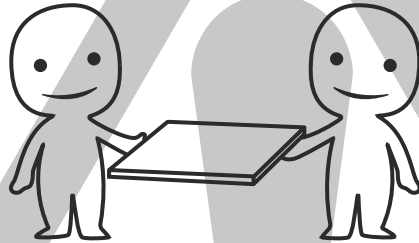
IMPORTANT INFORMATION!

please read the entire manual before starting to assemble and/or using this product. follow the manual thoroughly and keep it for further reference.



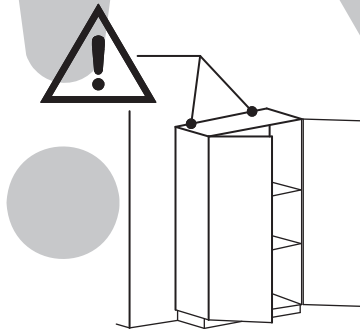
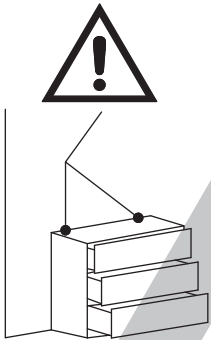
AVOID SCRATCHES!

In order to avoid scratching this furniture should be assembled on a soft layer- could be a rug.



IMPROVE EFFICIENCY !

Try to find a partner to install with you, which can speed up the installation efficiency and shorten the time.



ANTI-TOPPLE WARNING !

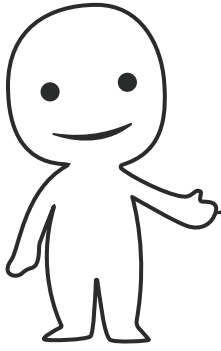
Overturnd furniture can cause serious or fatal crush injuries. To prevent tipping over, be sure to use the wall attachment, if not included with this product. Please purchase the wall attachment that fit your wall. If unsure, seek professional advice. Please read and follow each step of the instructions carefully.

IMPORTANT !

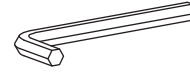
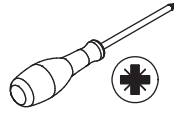
It is important that any product which is assembled using any kind of screw is re-tightened 2 weeks after assembly, and once every 3 months - in order to assure stability through-out the lifespan of the product.

For regular maintenance and cleaning of the product, for the frame, please use a rag dipped in neutral detergent to fully wipe it, and then dry it with a clean rag. For glass materials, wipe with a rag dampened with water glass cleaner, and then dry with a dry rag.

Do not use an electric screwdriver, and do not use too much force when installing, because the board is easy to break.



Please prepare the following tools



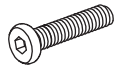
When installing, please carefully confirm whether each screw corresponds to the manual, accessories with similar shapes can be distinguished by size

A x 20



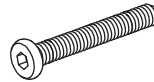
M8 x 15 mm

B x 14



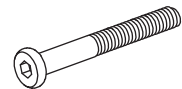
M8 x 20 mm

C x 4



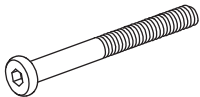
M8 x 35 mm

D x 10



M8 x 45 mm

E x 5



M8 x 55 mm

F x 24



M8

G x 1



M8

H x 32



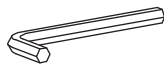
M6 x 20 mm

I x 16

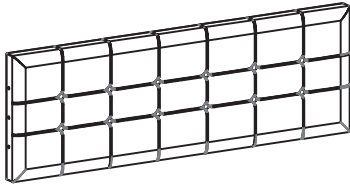


M6 x 8 mm

J x 1



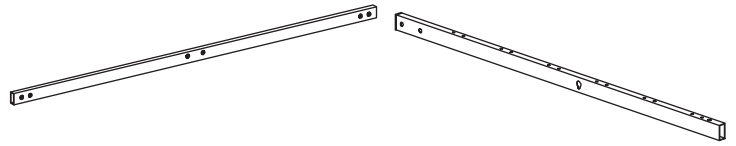
M6



① 1PC

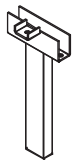


② 1PC

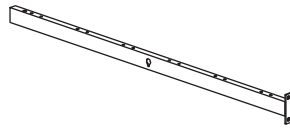


③ 1PC

④ 1PC



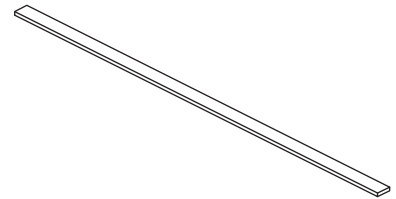
⑤ 2PCS



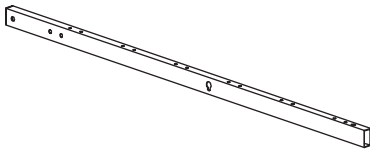
⑥ 2PCS



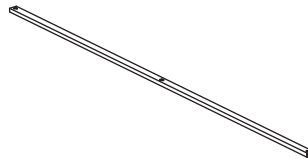
⑦ 1PC



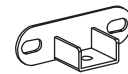
⑧ 12PCS



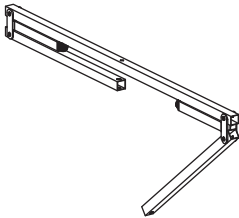
⑨ 1PC



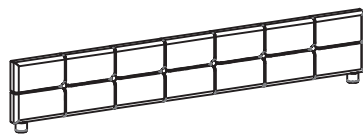
⑩ 1PC



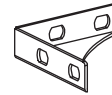
⑫ 2PCS



⑬ 1PC



⑭ 1PC



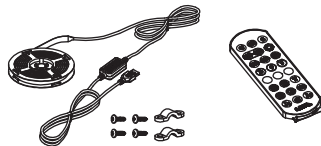
⑮ 2PCS



⑯ 1PC



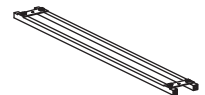
⑰ 24PCS



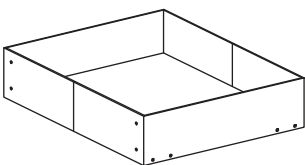
⑱ 1PC



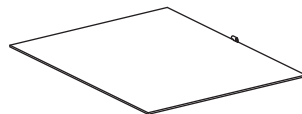
⑲ 16PCS



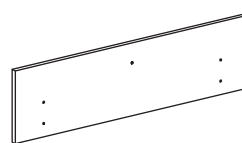
⑳ 8PCS



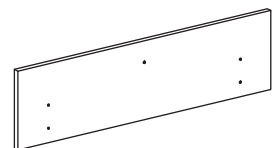
㉑ 4PCS



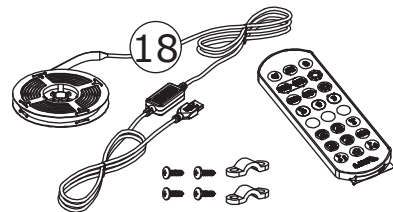
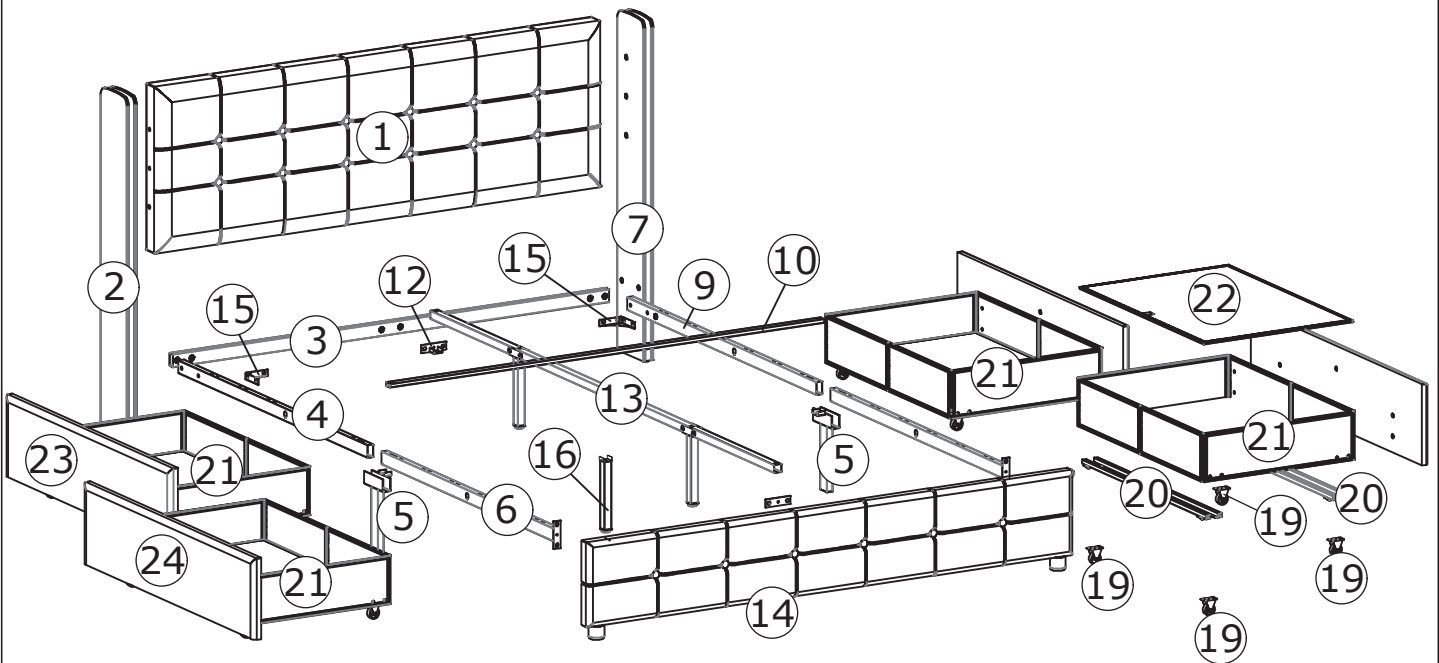
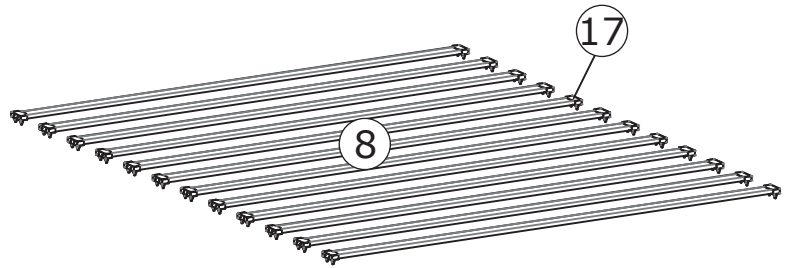
㉒ 4PCS



㉓ 2PCS



㉔ 2PCS



⚠ WARNING



Children have died from furniture tipover. To reduce the risk of furniture tipover:

- ALWAYS install Anti-tip device provided.
- NEVER put a TV on this product.
- NEVER allow children to stand, climb or hang on drawers, doors, or shelves.
- NEVER open more than one drawer at a time.
- Place heaviest items in the lowest drawers.

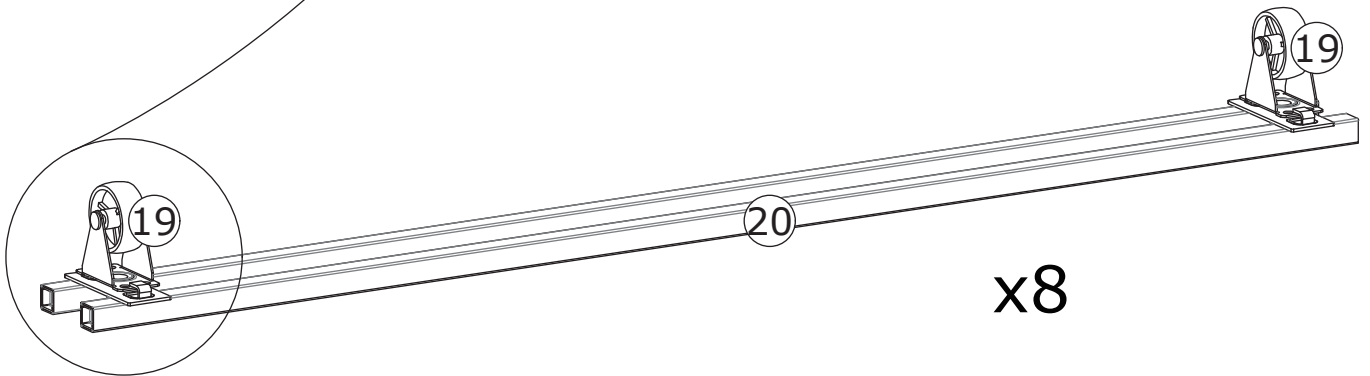
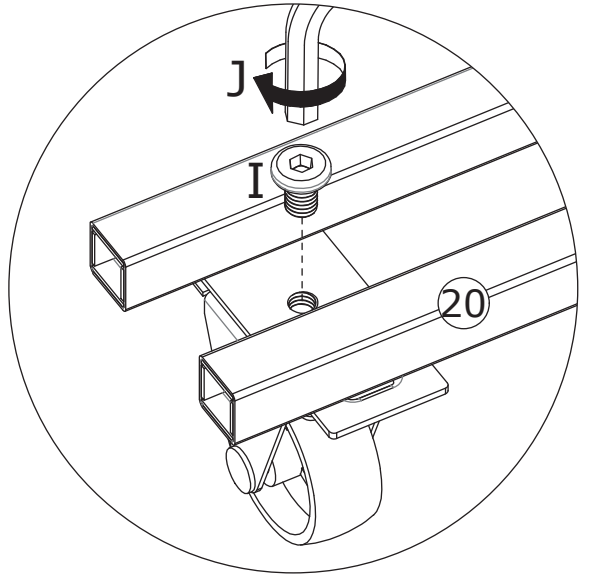
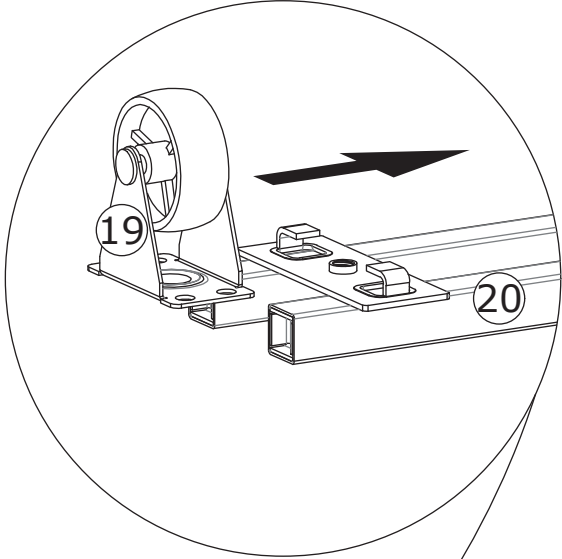
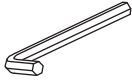
*This is a permanent label.
Do not remove!*

1

I x 16
M6 x 8 mm



J x 1
M6



2

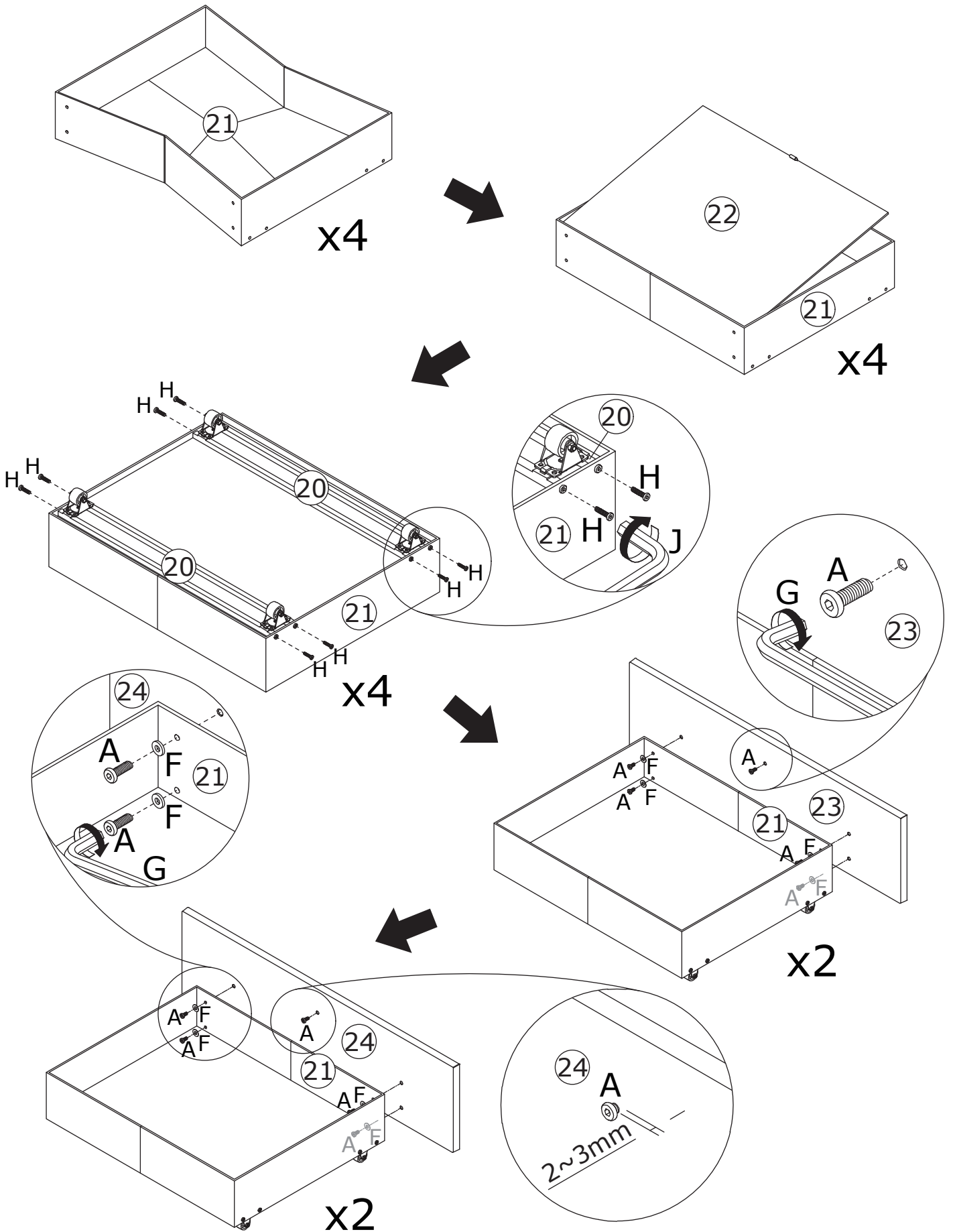
A x 20
M8 x 15 mm

F x 16
M8

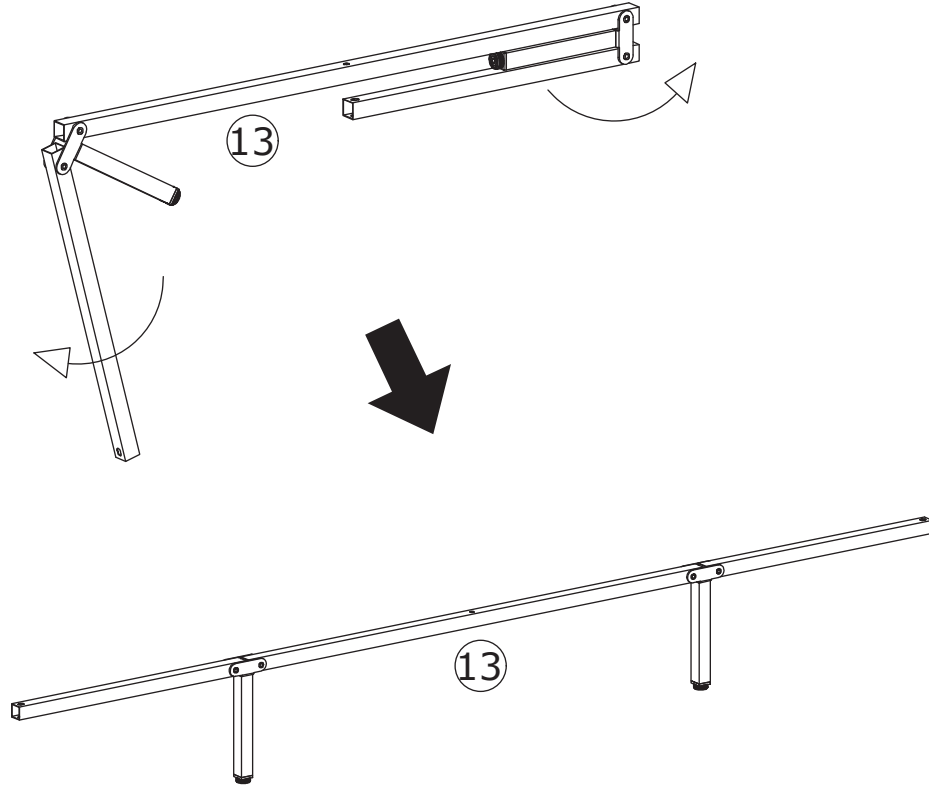
G x 1
M8

H x 32
M6 x 20 mm

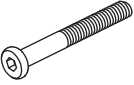

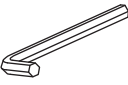
J x 1
M6

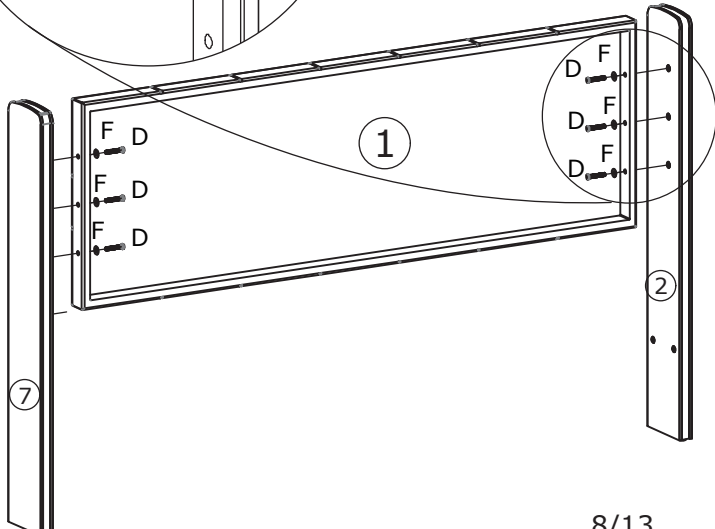
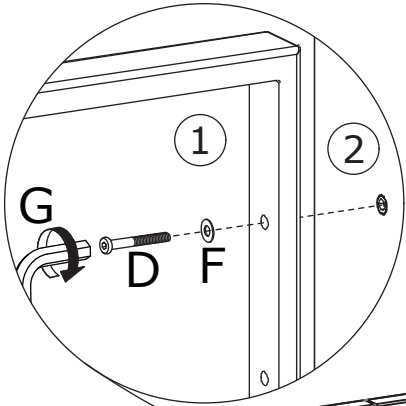


3

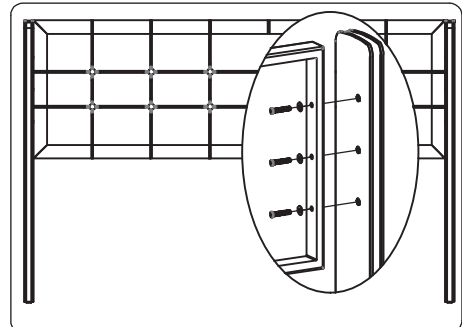


4

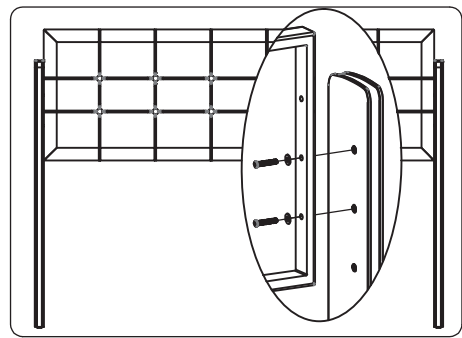
 D x 6 M8 x 45 mm	 F x 6 M8	 G x 1 M8	
--	--	--	--



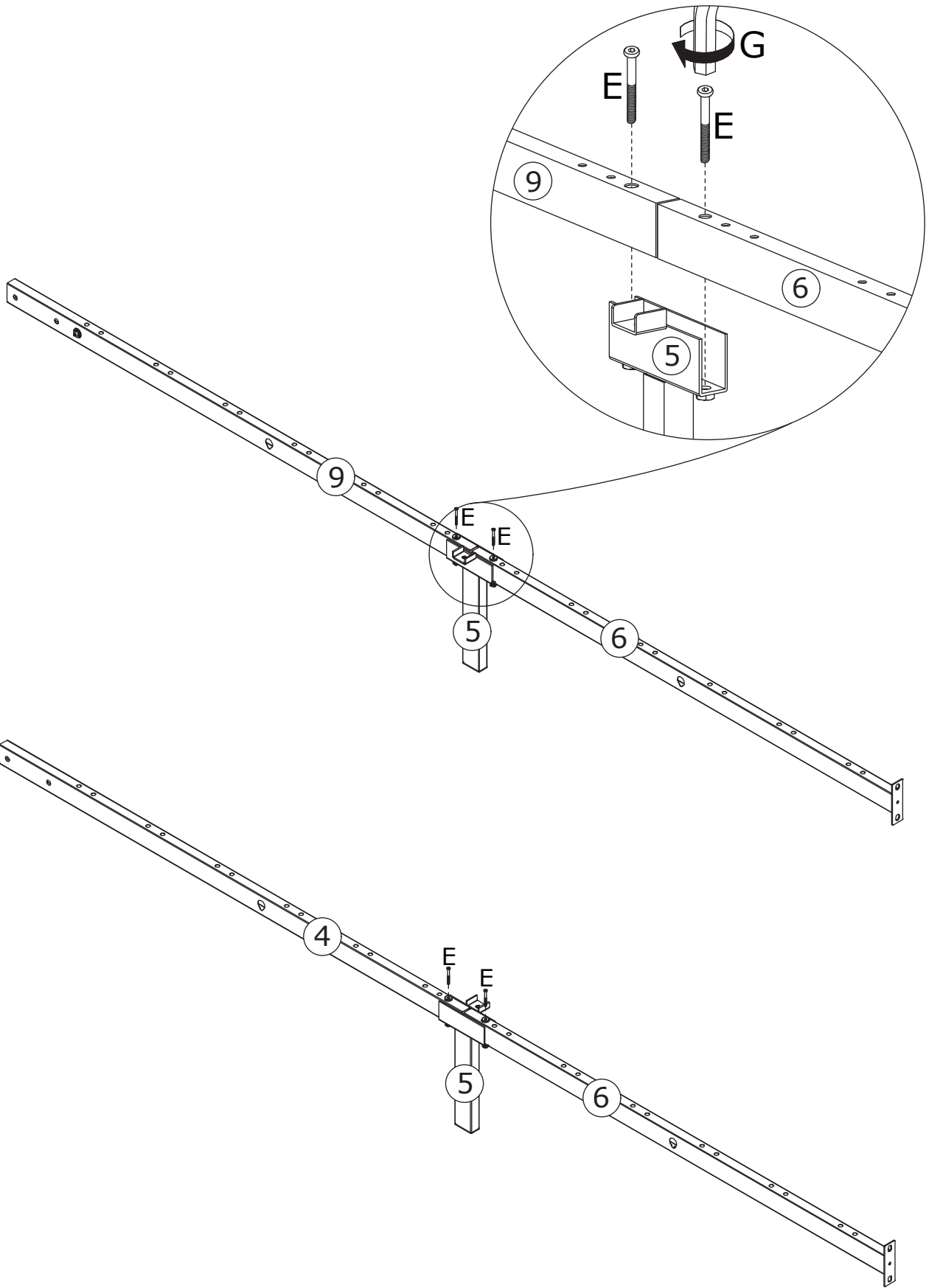
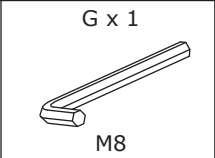
Option 1:



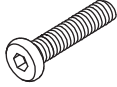
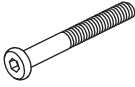

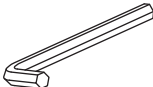
Option 2:

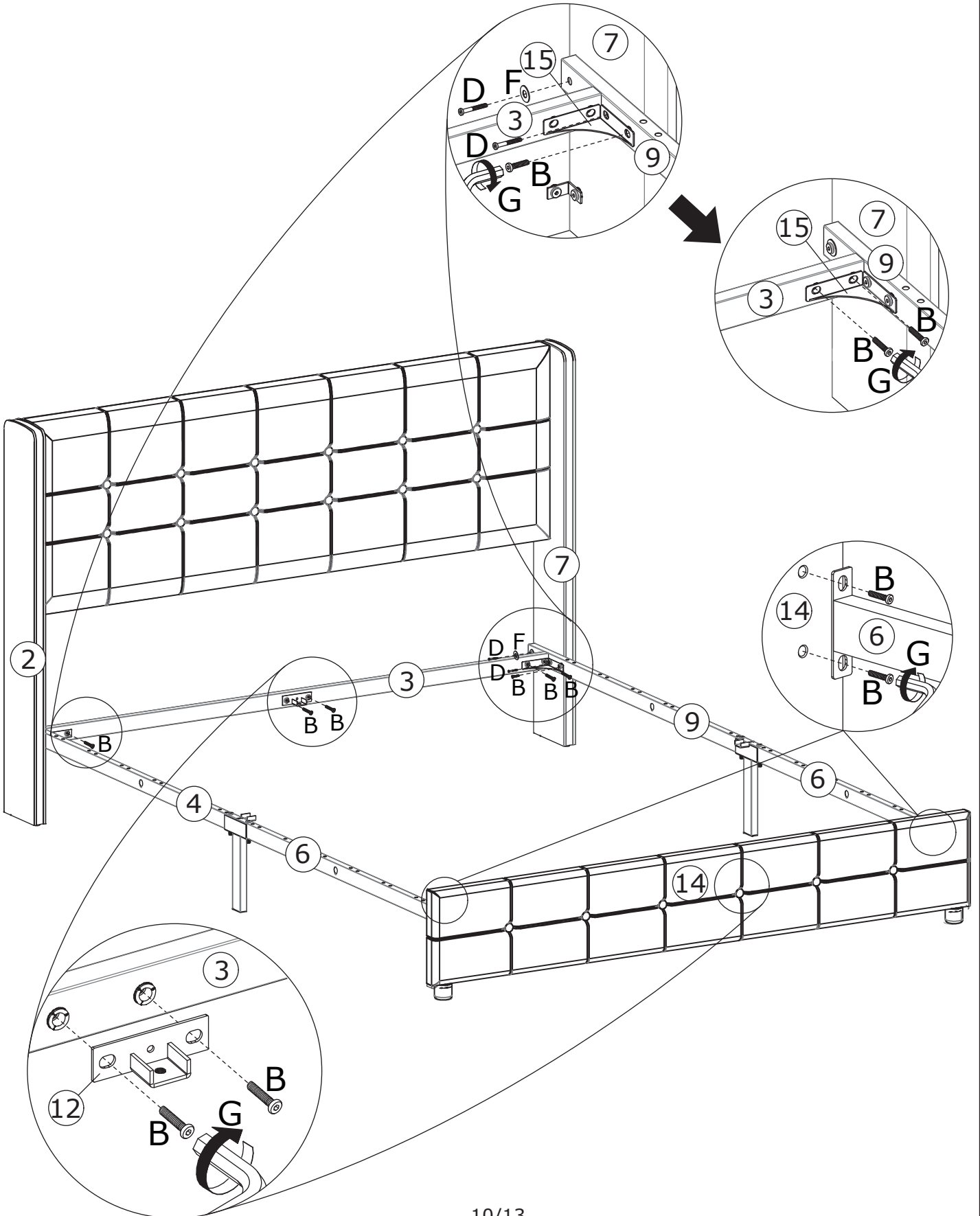


5

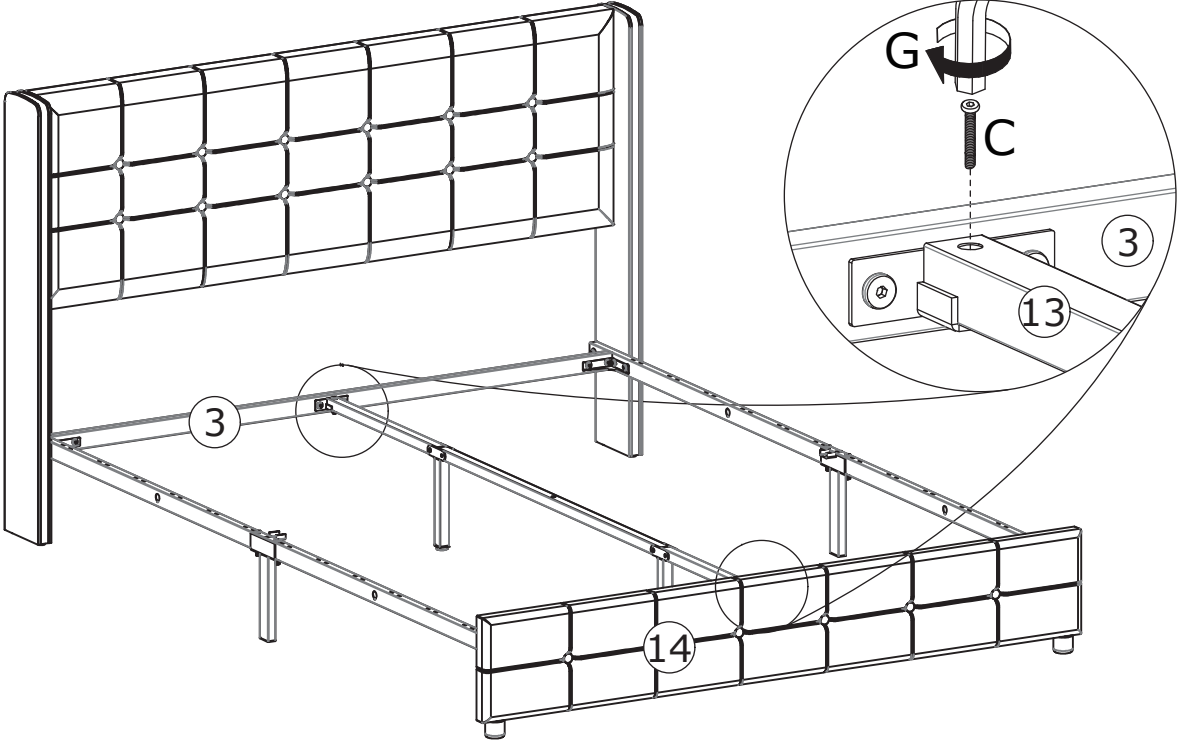
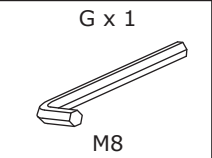
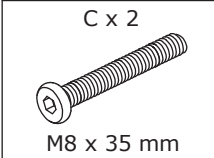


6

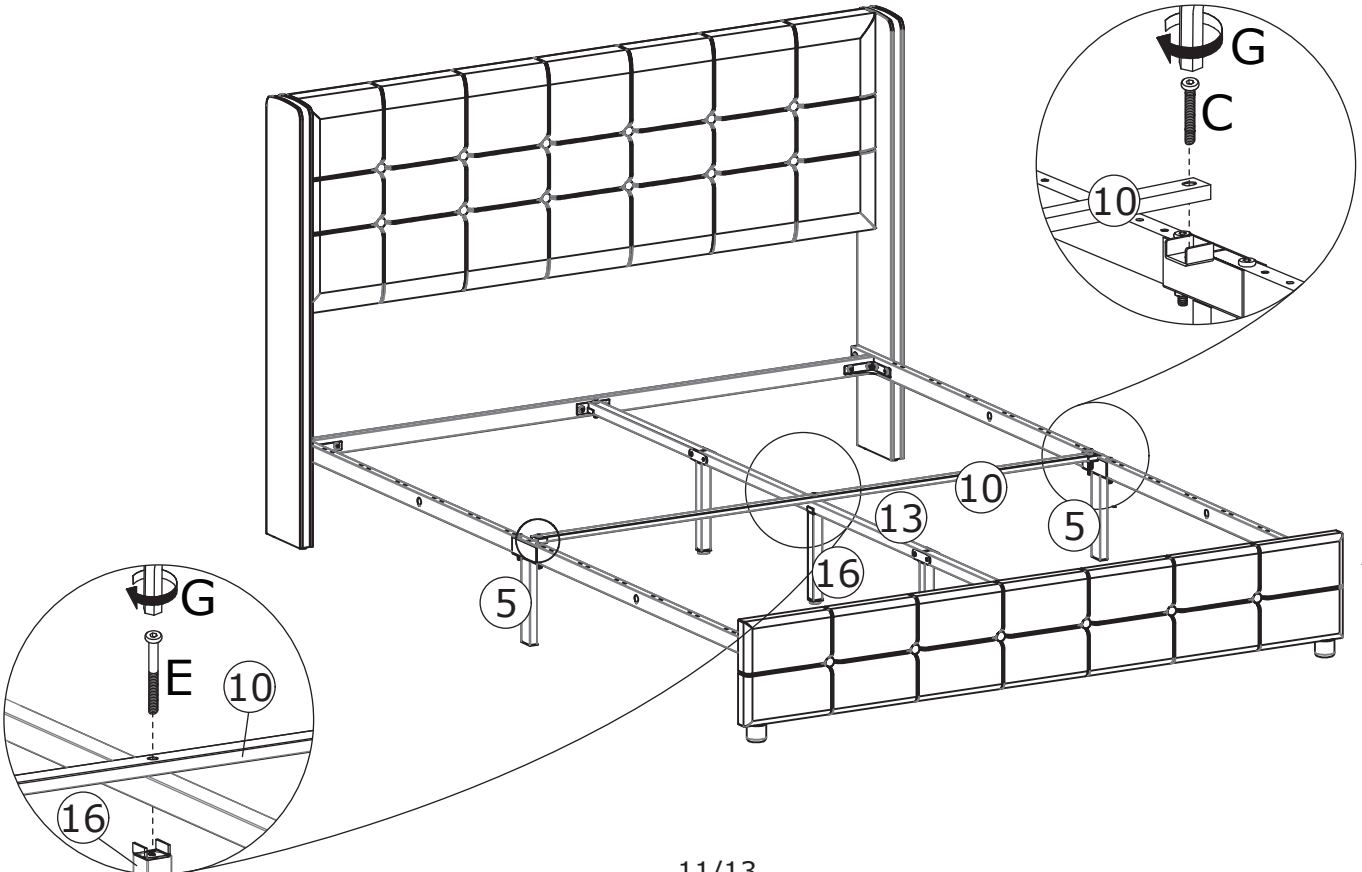
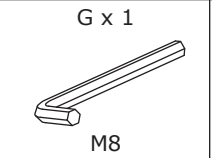
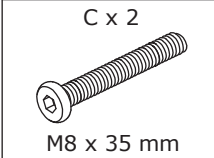
<p>B x 14 M8 x 20 mm</p> 	<p>D x 4 M8 x 45 mm</p> 	<p>F x 2 M8</p> 	<p>G x 1</p> 	
--	---	---	---	--



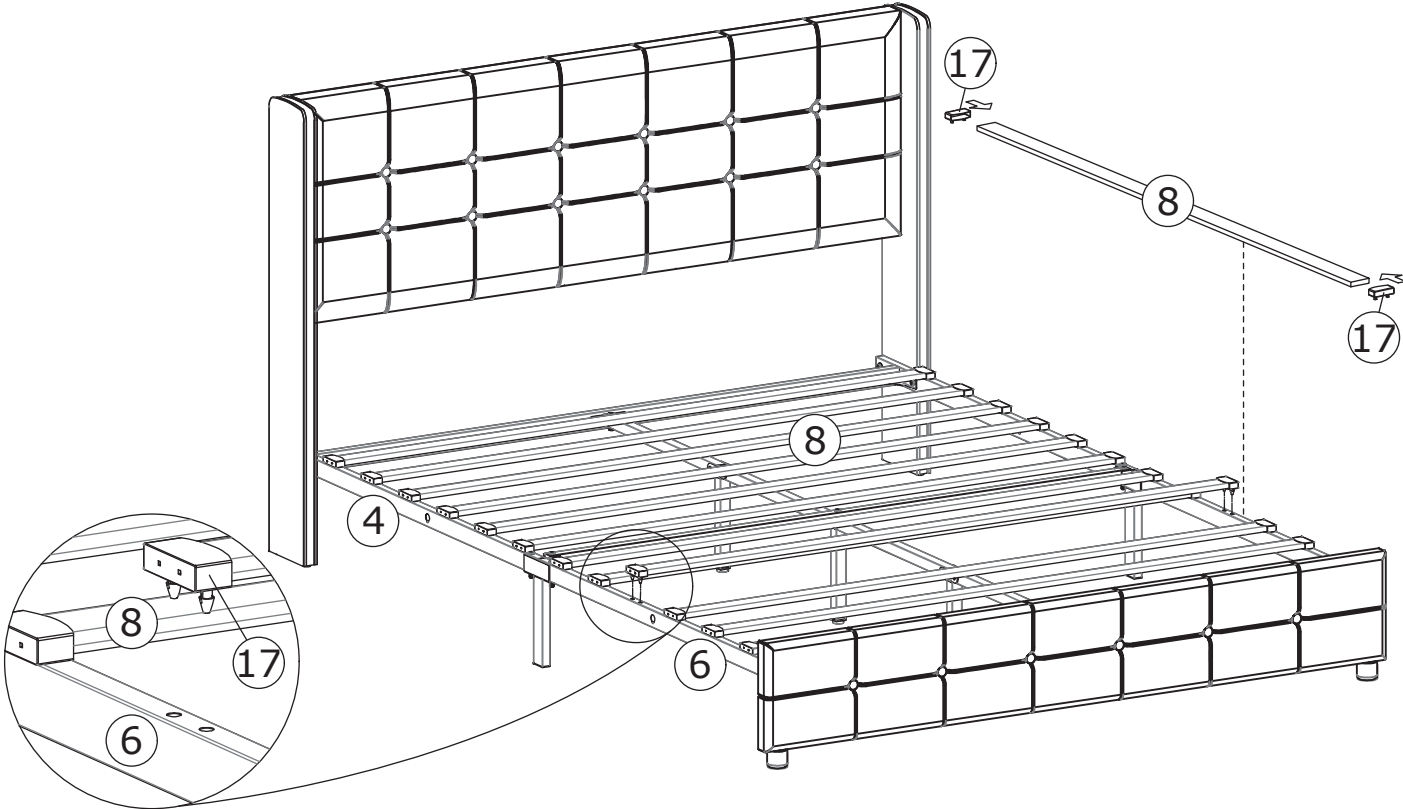
7



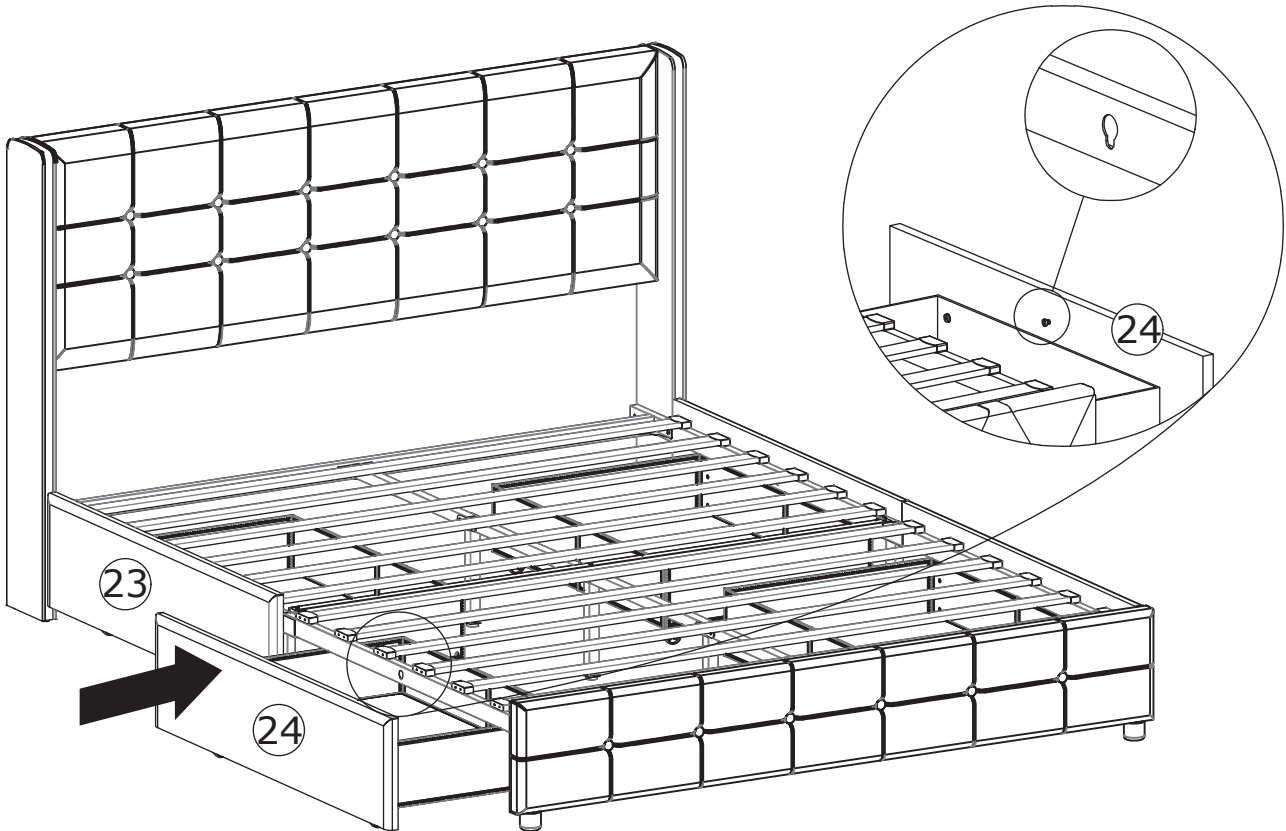
8



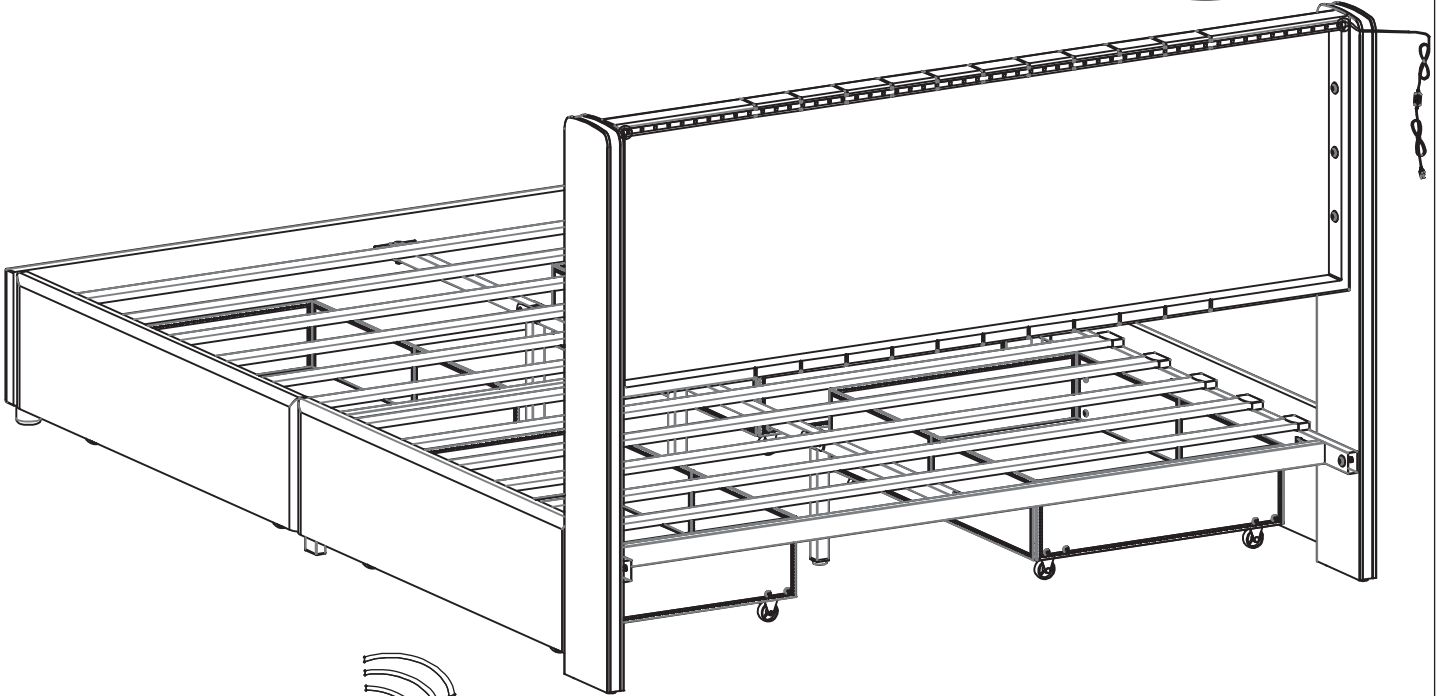
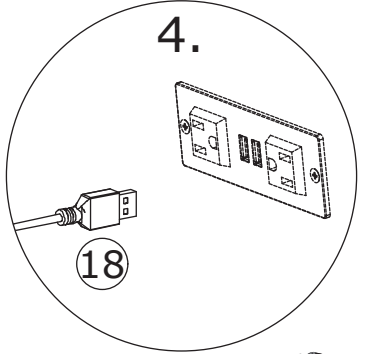
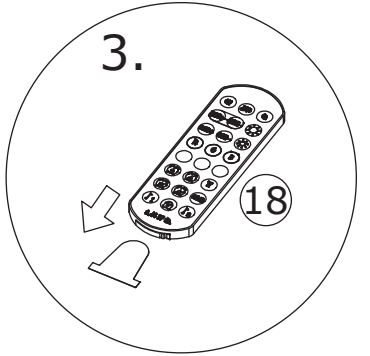
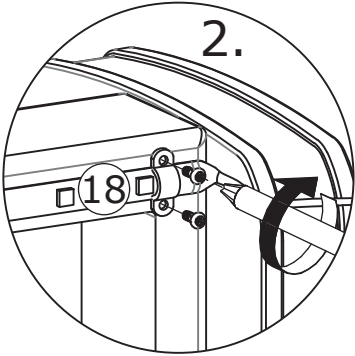
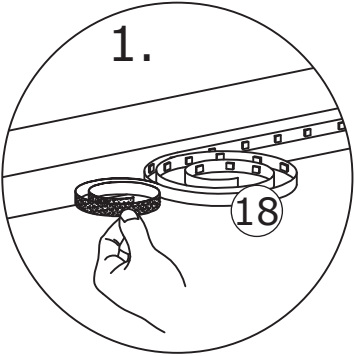
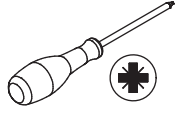
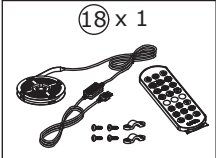
9



10



11



LotusLantern APP Manual

1. Software Overview

1.1 Overview

LotusLantern is a mobile APP to control LED strip by both IOS and Android phones.

The traditional control ways like infrared, 433MHz, 2.4GHz and others old wired ways will be replaced by mobile phone control way with convenient, powerful and scalable features.

Through this mobile APP , you can not only control the color, brightness and color temperature of the LED strips but also set up all kinds of fancy flash mode ; Also this APP can change the light of the LED strip according to the rhythm of the music. This APP can set and control several LED strips through Bluetooth and the operation is very simple, easy to learn and easy to use.

1.2 Features

- Adjust color LED strips with 60,000 colors to change color and brightness and adjust monochrome LED strips to change brightness and color temperature
- Play music or turn on a sound playback device, you can let the light change the color and brightness with the rhythm of music, the music rhythm beautiful
- Inside multiple setting mode for color change and control LED strips without mobile
- Long distance control with omni-directional antenna, and many-to-many group control mode
- Once the connection is successful, connect automatically next time

1.3 Performance

LotusLantern APP is easy for use as well as great compatible with all kinds of smart phones; After the actual test of hundreds of mobile phones verification, the compatibility is above 95% of mobile phones in the market. APP is small and convenient, it consumes less system resources, so the requirements of the mobile configuration are low. Control delay is small, the operation feels good, light control is smooth with people's visual sense.

2. Operating Environment

This APP program requires phones of system above Andriod 4.3 and iOS 8.0. Mobile phone configuration is not limited.

3. Instructions

Note: Android version and iOS version download and use the same method, here in the Android version as an example.

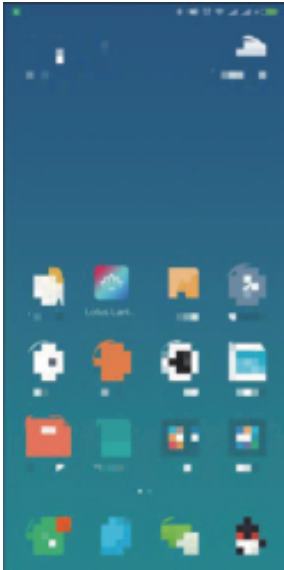
3.1 APP Download

Scan the QR code

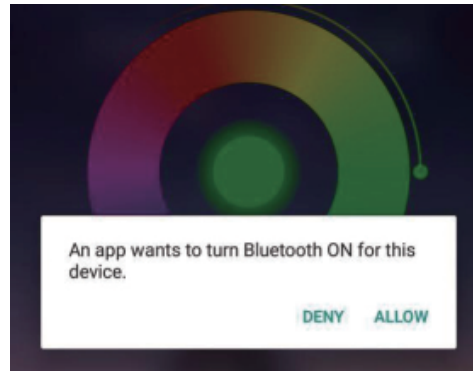
iOS and Android systems can download the "LotusLantern" APP by scanning the QR code. Open the browser or other tools with "Scan QR code" function, scan the "LotusLantern" QR code as below:



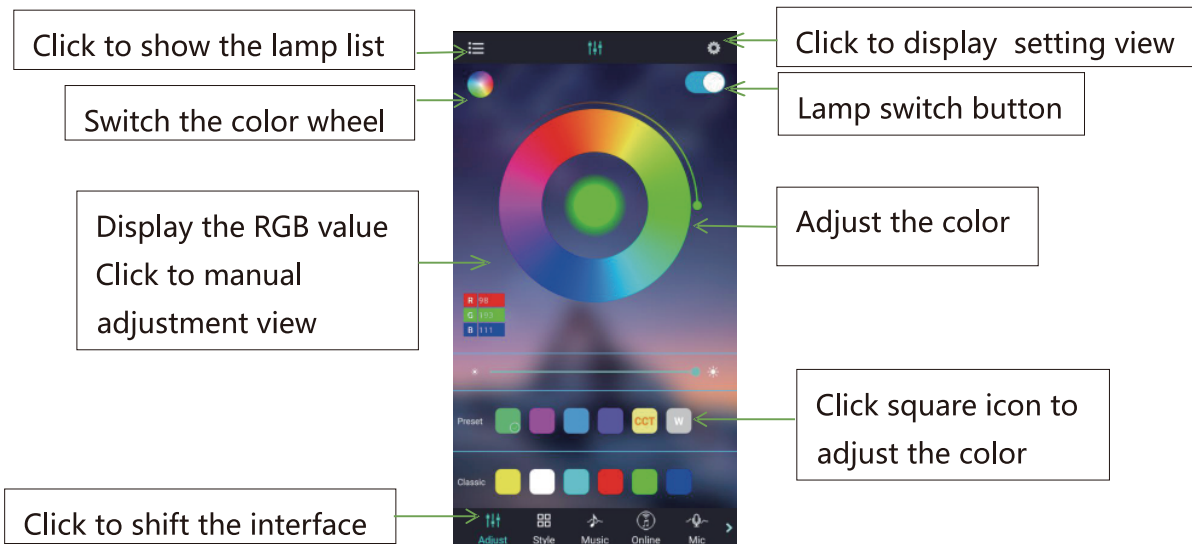
3.2 App Operation



(2) After entering the APP interface, if Bluetooth is not enabled, "an application wants to enable the Bluetooth function of this device." Click [Allow]

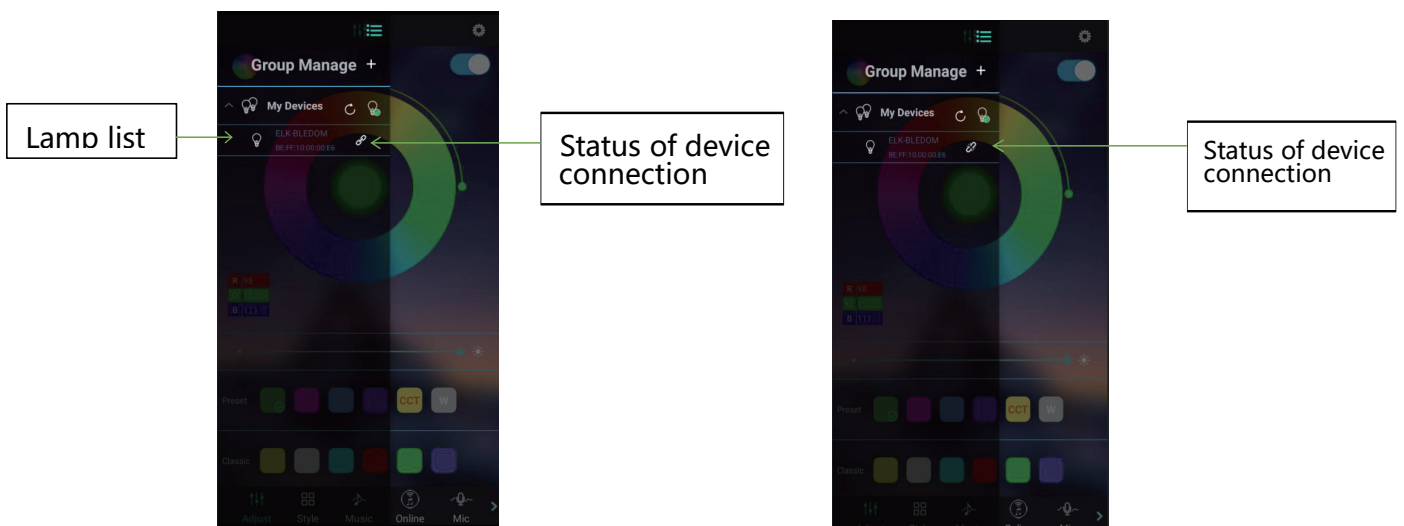


(3) switch to color and brightness interface:

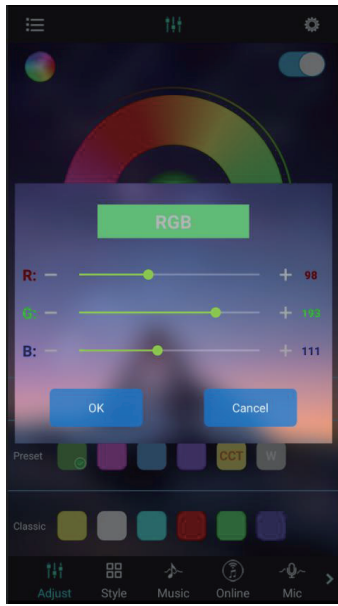


(4) click to show the lamp list, view lamp list:

Bluetooth auto connect after search for devices



(5) Click to RGB manual adjustment view:

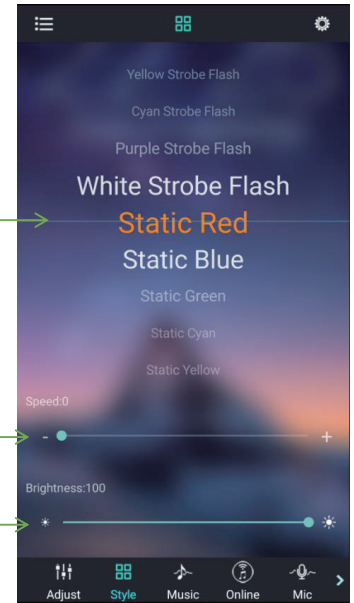


(6) switch to the mode interface:

Scroll the selection mode

Adjust seed

Adjust luminance

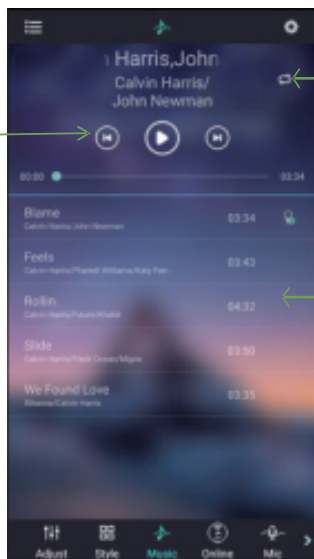


(7) switch to the music rhythm interface:

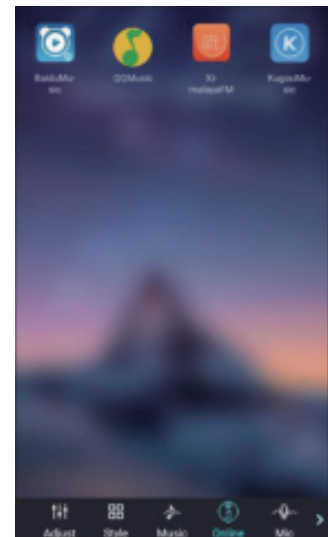
Previous song, Pause/Play, Next song

Play mode

Music List



(8) Switch to the online music interface:



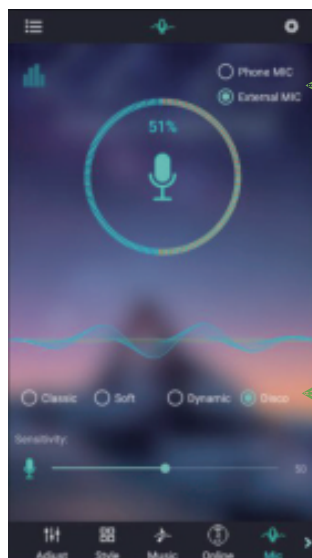
(9) Switch to the microphone rhythm interface:

Music rhythm through the microphone on the product

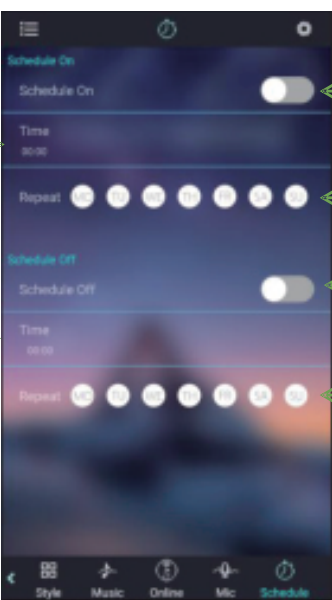
Switch phone microphone and external microphone

4-style rhythm

Change the sensitivity of MIC to match the sound



(10) Switch to the schedule interface:



The screenshot shows a mobile application interface for scheduling light events. It is divided into two main sections: 'Schedule On' and 'Schedule Off'. Each section has a toggle switch to enable or disable the function, a 'Time' field to set the duration, and a 'Repeat' section with seven circular buttons for different frequencies. The bottom navigation bar includes icons for 'Style', 'Music', 'Online', 'Mic', and 'Schedule'.

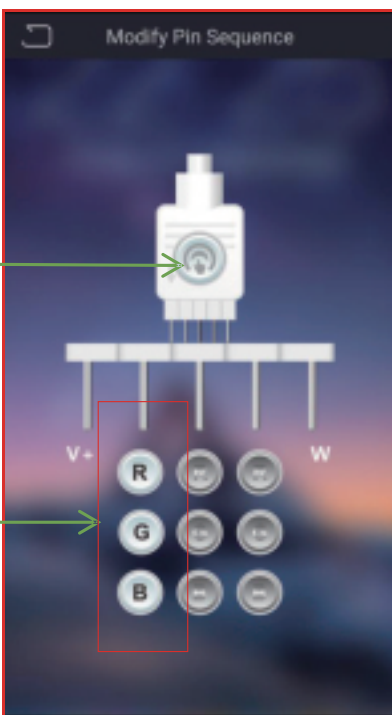
Annotations on the left side:

- Set the time of Light-On
- Set the time of Light-Off

Annotations on the right side:

- Enable or disable the Light-On function
- Repeat setting
No selection for once Light-On
- Enable or disable the Light-Off function
- Repeat setting
No selection for once Light-Off

(11) Switch to the modify pin sequence interface:

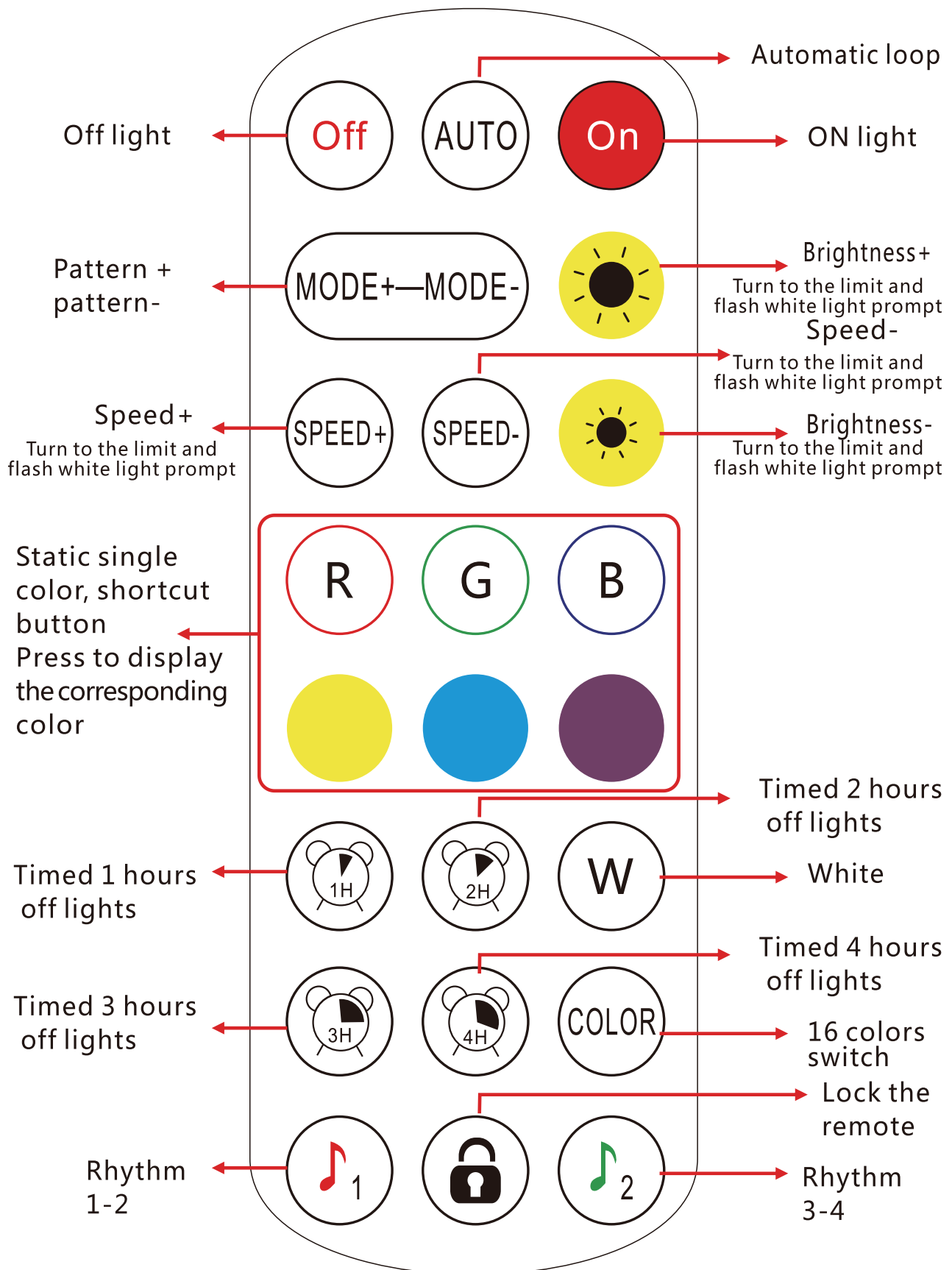


The screenshot shows a 'Modify Pin Sequence' interface. At the top, there is a 'Modify Pin Sequence' title and a back arrow. Below the title is a white connector icon with a circular button in the center. Underneath the connector is a horizontal row of seven pins. Below the pins is a grid of color selection buttons labeled 'R', 'G', and 'B'. The interface is framed by a red border.

Annotations on the left side:

- Click to save the new assignment
- Change the real color of this line

LED2021-24KEY



Rhythm 1-2: Single click to switch to 1-2 rhythm mode

Rhythm 3-4: Click to cycle through the 3-4 rhythm mode

Remote control lock: After pressing, the remote control is locked, pressing the switch is available, other keys are invalid. After pressing once, the unlock button can be used. After the remote control is locked, press the switch to unlock the remote control.

WARRANTY

WARRANTY CLAIMS

- There is a 30-day warranty for broken furniture or any other problems that do not work properly. The warranty will start from the date of purchase which must be verified by proof of purchase.
- Before making a claim, we may be able to answer your query, simply call us. Please leave your purchase order number, along with some details of the problem, if you want a replacement part. We will arrange within 48 hours. If there is out of stock, we will reply with a shipping date.
- The product must be used in accordance with the instructions provided. For health reasons.
- For other reasons, if the furniture needs to be returned, it must be cleaned and dried and operated within 30 days of receipt.

Type of Warranty Claim

- Failure to follow the furniture instructions will invalidate the warranty. Attention please.
- Does not include damage during installation, but includes damage during transportation.

Scope of responsibility

- Shall not bear any responsibility for misuse or user damage and / or loss of parts during the installation of furniture.
- After using, the damage and scratches of the furniture are not covered by the warranty.

The Warranty Relates to All Bought in The Us and Covers The Following Areas

- Sheet parts: 1 month from the date of purchase.
- Electrical parts: 1 month from the date of purchase.

RETURNS

CHANGED YOUR MIND AND NEED TO RETURN YOU ITEM?

PLEASE FOLLOW THE BELOW INSTRUCTIONS:

- If you have purchased and have simply changed your mind, follow the retailer's instructions for returns.

DEFECTIVE ITEMS

- If your item is defective in any way, i.e. it doesn't work but you can't identify why, in the first instance, please call us.

DAMAGED ITEMS

- If you receive an order with obvious shipping damage from the retailer, then we suggest the delivery is refused. If the delivery has been accepted and then shipping damage is found, please follow the specific instructions advised by the retailer.
In all circumstances please save all packaging material and paperwork for the order. Please be aware that if you dispose of packaging material or attempt to return the merchandise without contacting the fulfiller, you jeopardise your chances of making a claim, and you may not receive a credit for the return.

AFTER-SALES CONTACT



feedbackstation@163.com



(303)800-6387