



### **IMPORTANT INFORMATION!**

please read the entire manual before starting to assemble and/or using this product. follow the manual thoroughly and keep it for further reference.



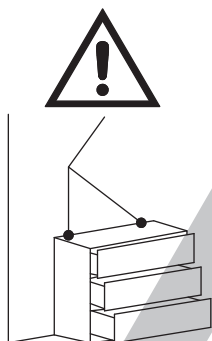
### **AVOID SCRATCHES!**

In order to avoid scratching this furniture should be assembled on a soft layer- could be a rug.



### **IMPROVE EFFICIENCY !**

Try to find a partner to install with you, which can speed up the installation efficiency and shorten the time.



### **ANTI-TOPPLE WARNING !**

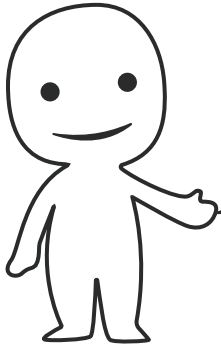
Overturnd furniture can cause serious or fatal crush injuries. To prevent tipping over, be sure to use the wall attachment, if not included with this product. Please purchase the wall attachment that fit your wall. If unsure, seek professional advice. Please read and follow each step of the instructions carefully.

### **IMPORTANT !**

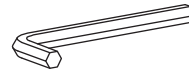
It is important that any product which is assembled using any kind of screw is re-tightened 2 weeks after assembly, and once every 3 months - in order to assure stability through-out the lifespan of the product.

For regular maintenance and cleaning of the product, for the frame, please use a rag dipped in neutral detergent to fully wipe it, and then dry it with a clean rag. For glass materials, wipe with a rag dampened with water glass cleaner, and then dry with a dry rag.

Do not use an electric screwdriver, and do not use too much force when installing, because the board is easy to break.



Please prepare the following tools



When installing, please carefully confirm whether each screw corresponds to the manual, accessories with similar shapes can be distinguished by size

A x 20



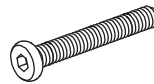
M8 x 15 mm

B x 14



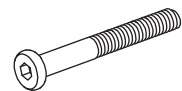
M8 x 20 mm

C x 4



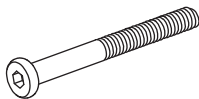
M8 x 35 mm

D x 10



M8 x 45 mm

E x 5



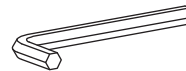
M8 x 55 mm

F x 24



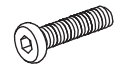
M8

G x 1



M8

H x 32



M6 x 20 mm

I x 16

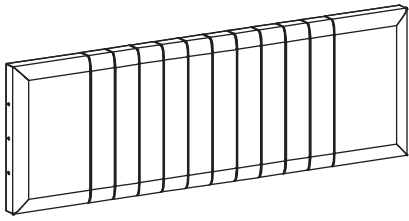


M6 x 8 mm

J x 1



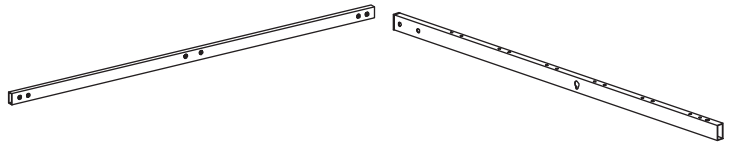
M6



① 1PC

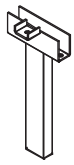


② 1PC

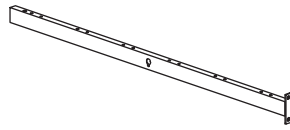


③ 1PC

④ 1PC



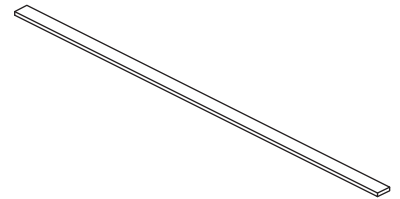
⑤ 2PCS



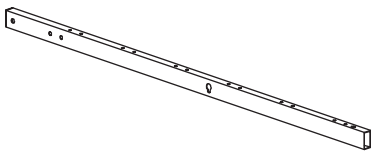
⑥ 2PCS



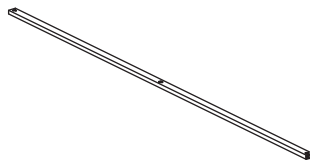
⑦ 1PC



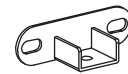
⑧ 12PCS



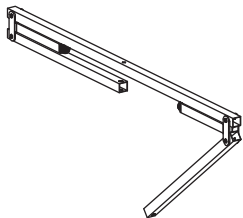
⑨ 1PC



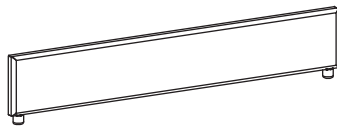
⑩ 1PC



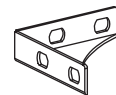
⑪ 2PCS



⑫ 1PC



⑬ 1PC



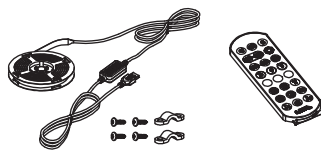
⑭ 2PCS



⑮ 1PC



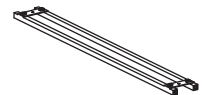
⑯ 24PCS



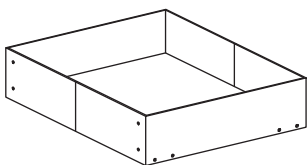
⑰ 24PCS



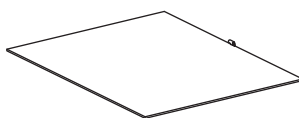
⑱ 16PCS



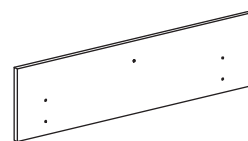
⑲ 8PCS



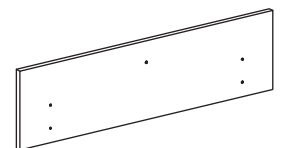
⑳ 4PCS



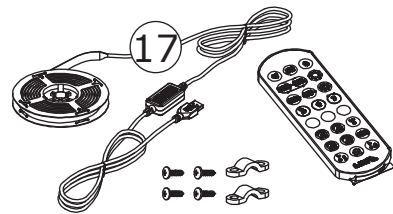
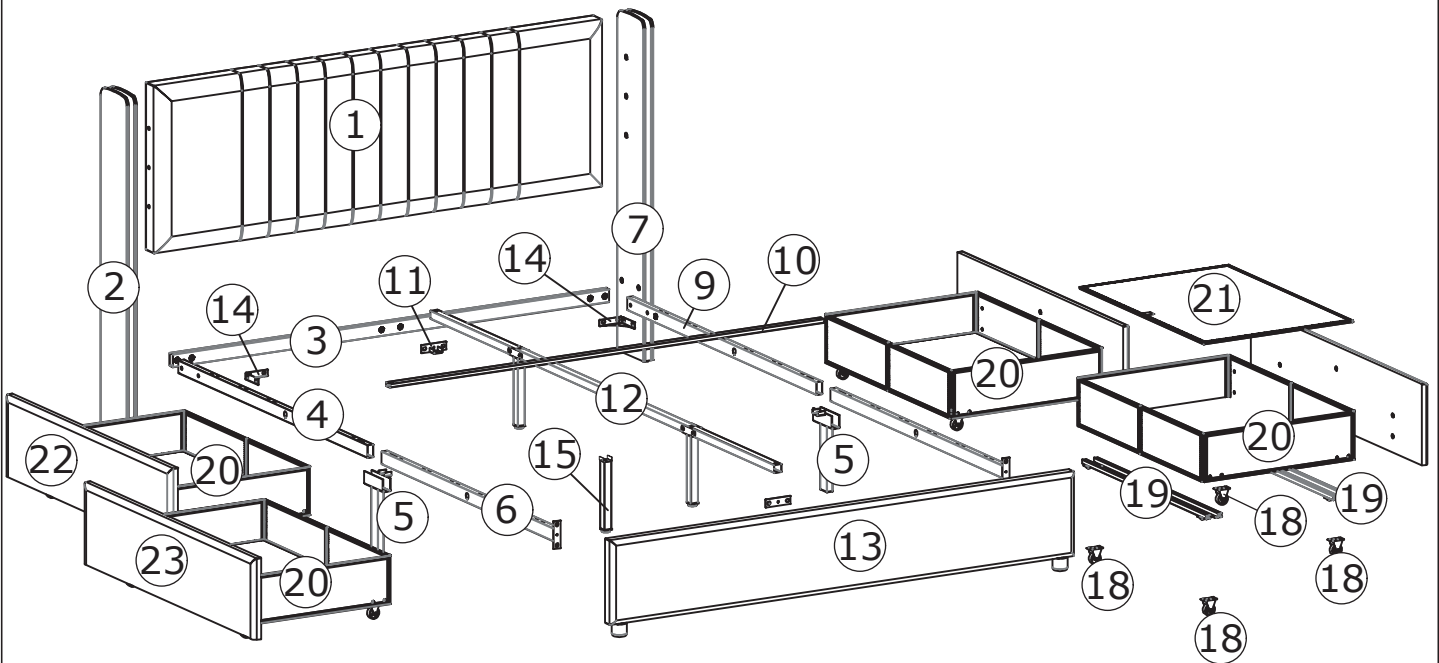
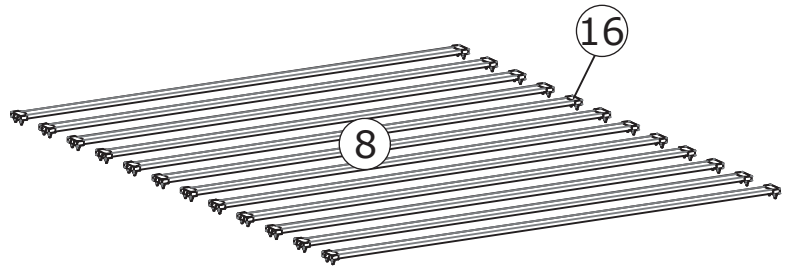
㉑ 4PCS



㉒ 2PCS



㉓ 2PCS



## ⚠ WARNING



**Children have died from furniture tipover. To reduce the risk of furniture tipover:**

- ALWAYS install tipover restraint provided.
- NEVER put a TV on this product.
- NEVER allow children to stand, climb or hang on drawers, doors, or shelves.
- NEVER open more than one drawer at a time.
- Place heaviest items in the lowest drawers.

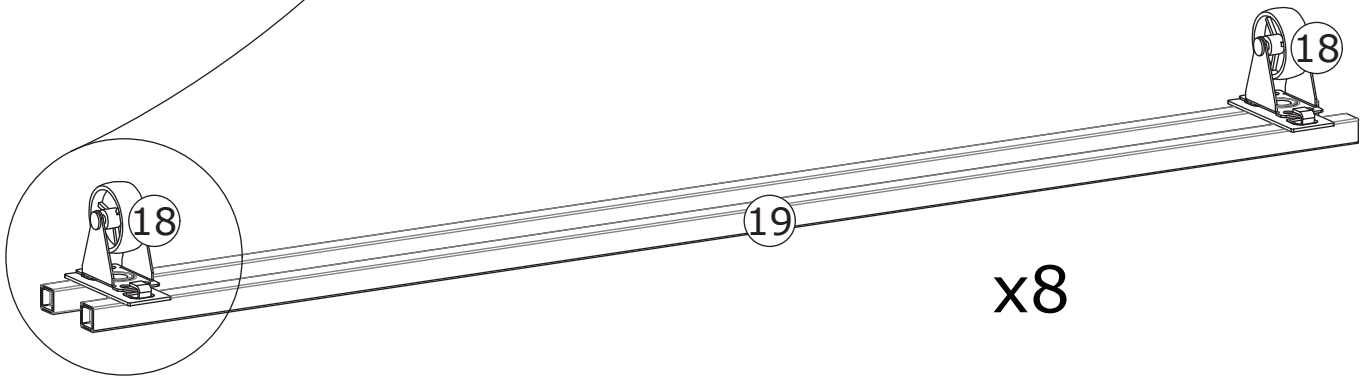
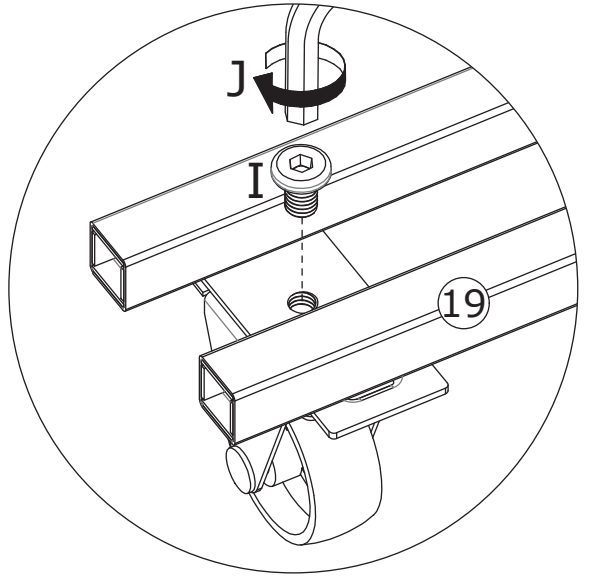
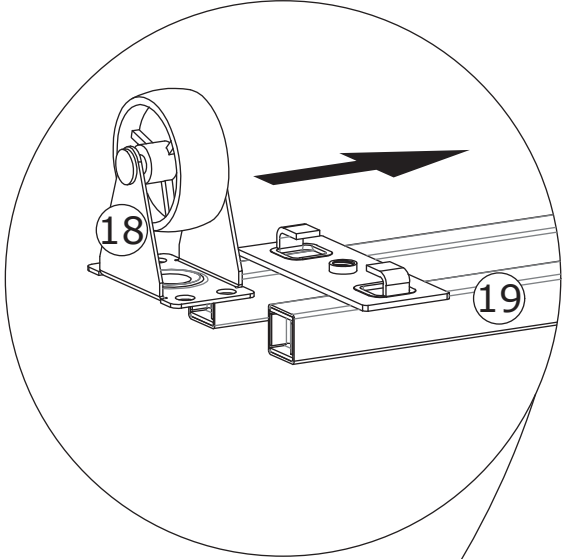
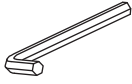
*This is a permanent label.  
Do not remove!*

1

I x 16  
M6 x 8 mm




J x 1  
M6




2

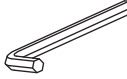
A x 20  
M8 x 15 mm



F x 16  
M8



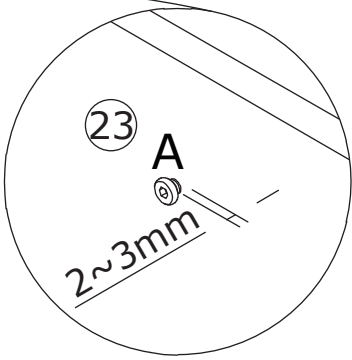
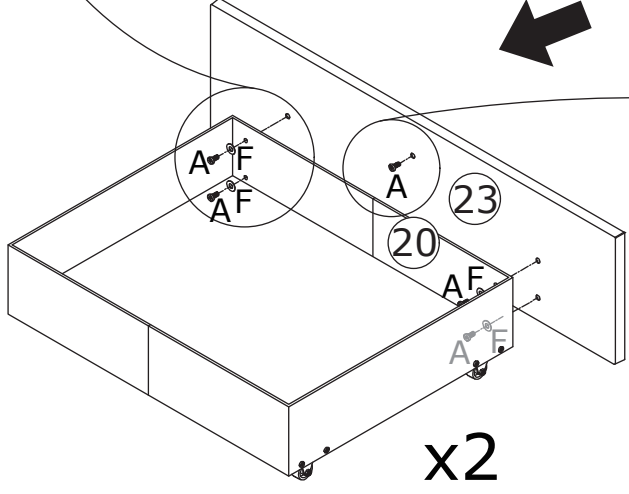
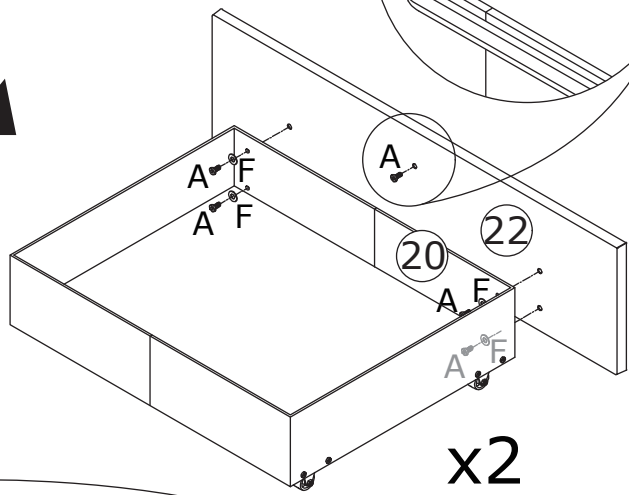
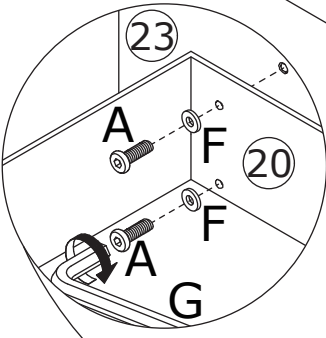
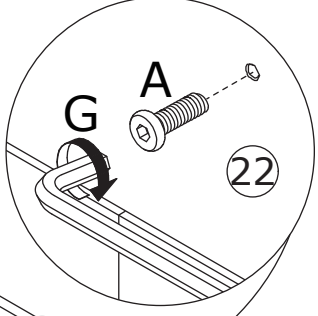
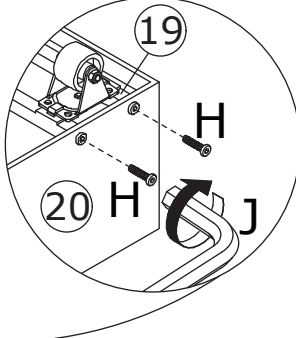
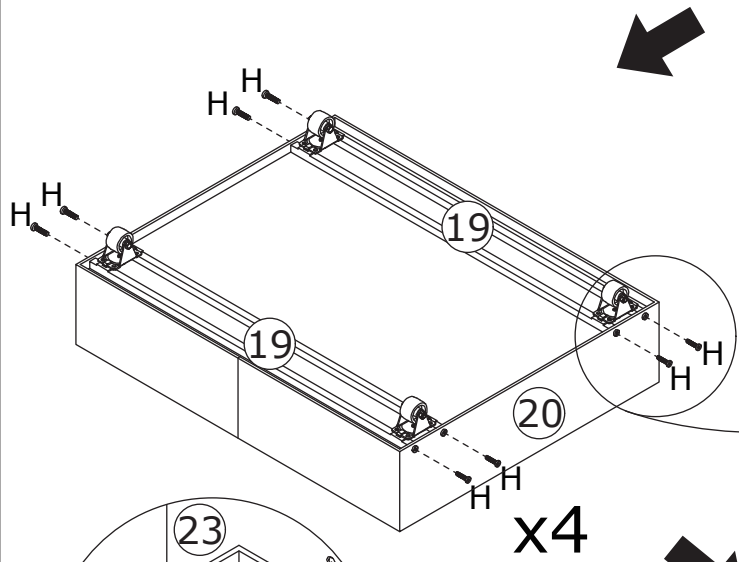
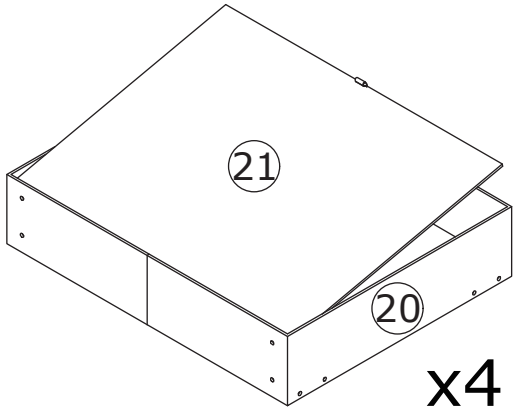
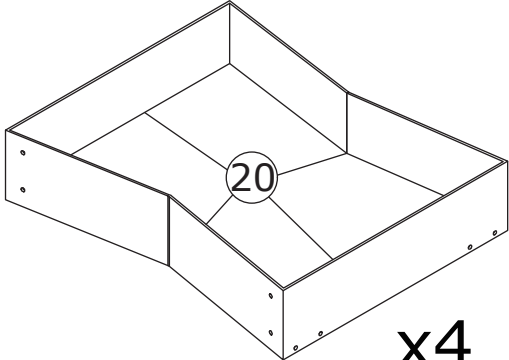
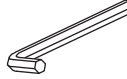
G x 1  
M8



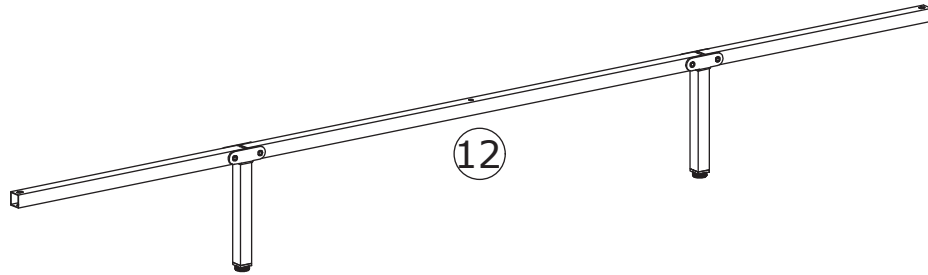
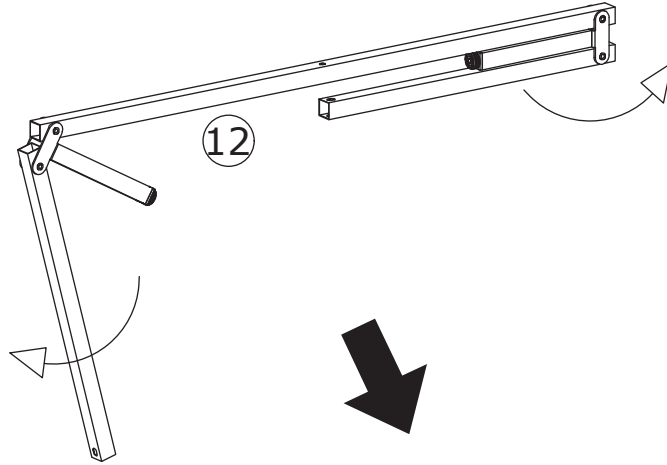
H x 32  
M6 x 20 mm



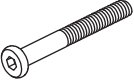

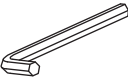
J x 1  
M6

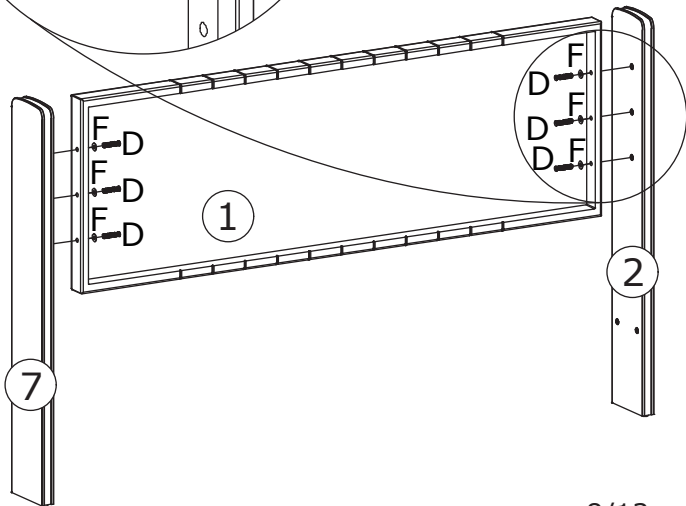
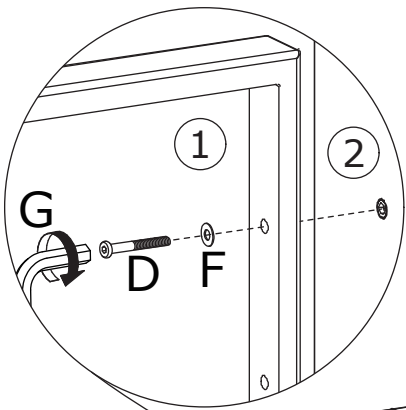


3

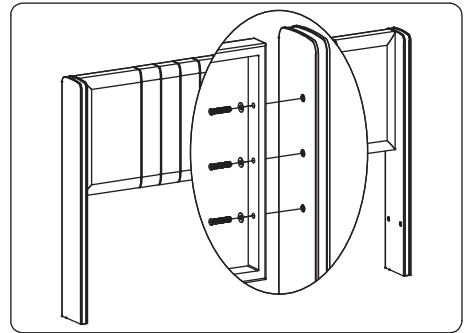


4

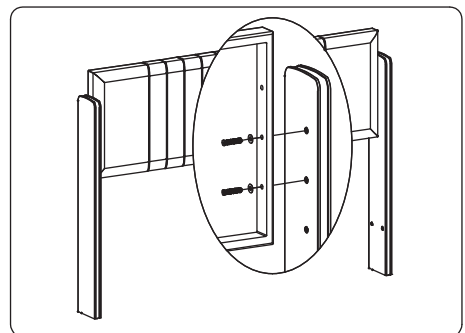
 D x 6 M8 x 45 mm	 F x 6 M8	 G x 1 M8	
--	--	--	--



Option 1:



Option 2:

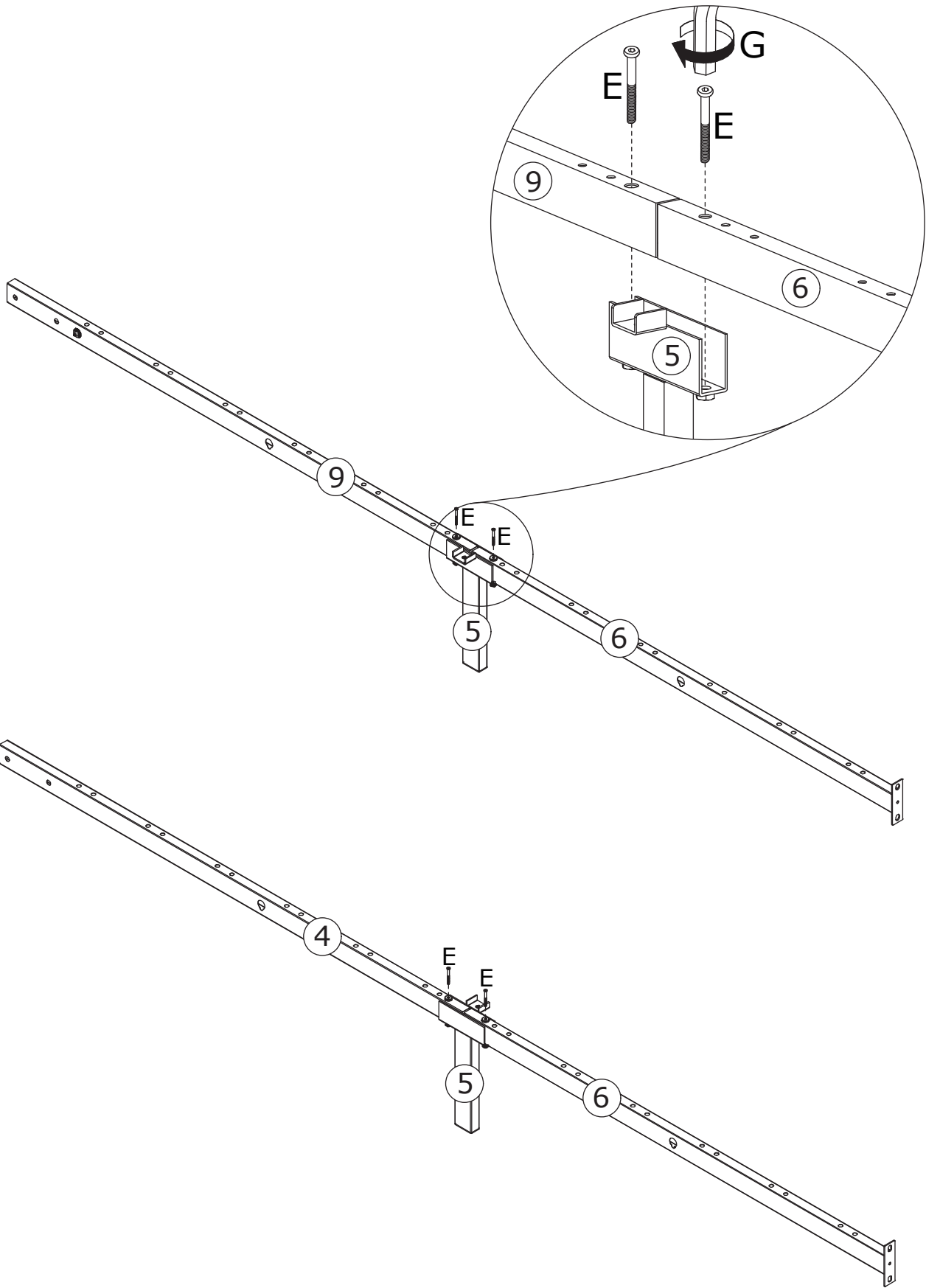




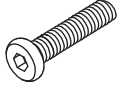
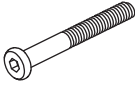

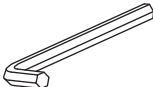
5

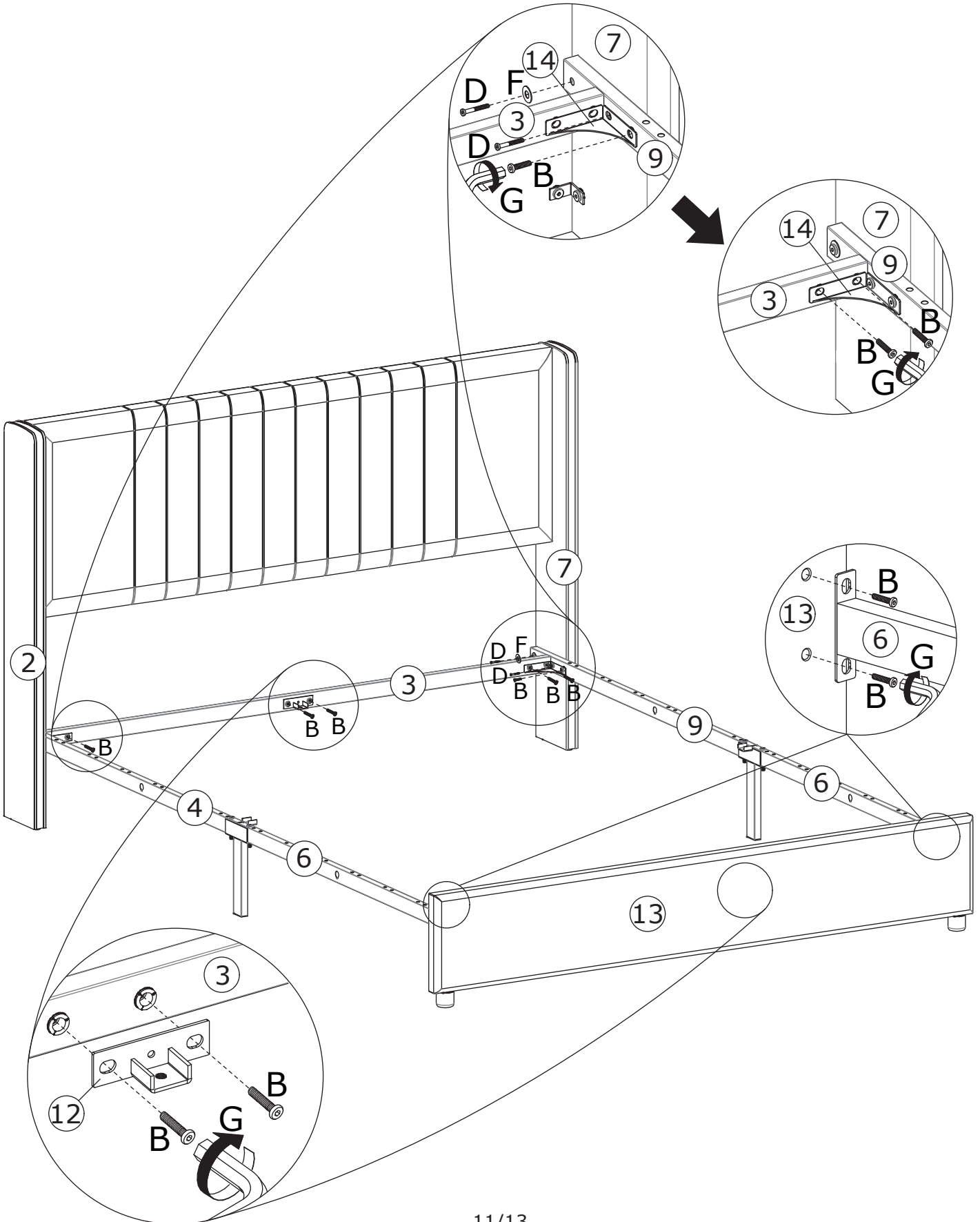
E x 4  
M8 x 55 mm

G x 1  
M8



6

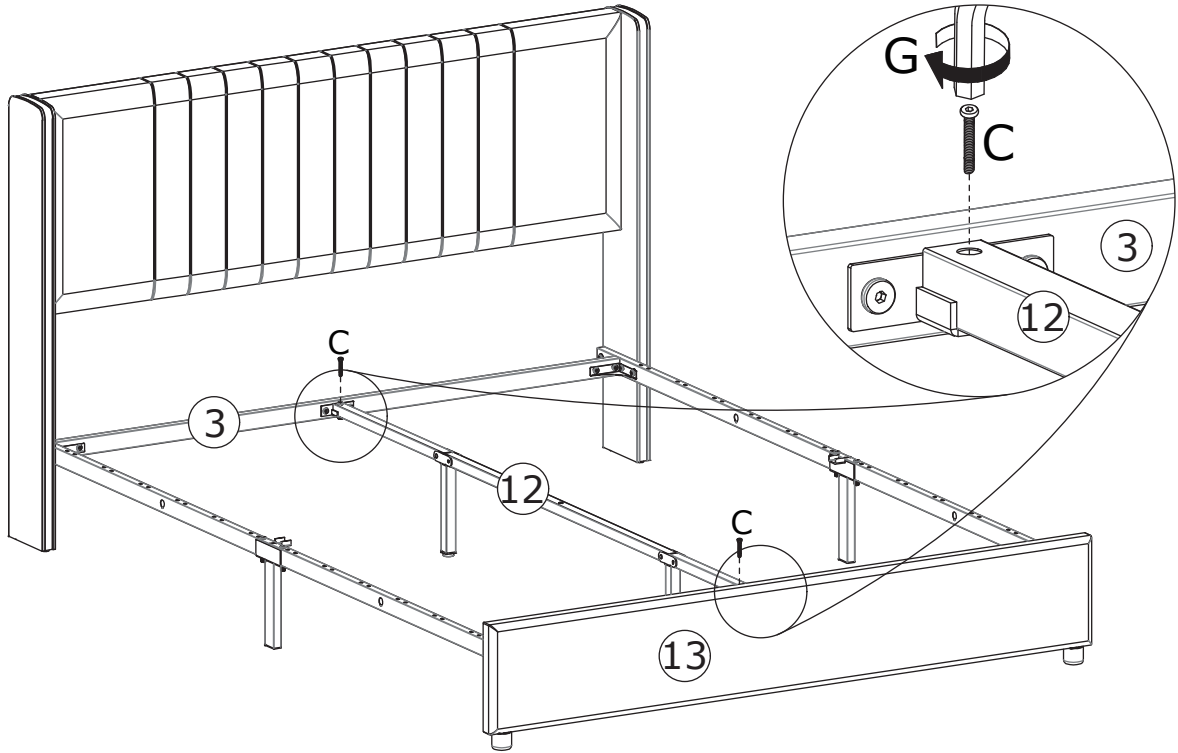
<p>B x 14 M8 x 20 mm</p> 	<p>D x 4 M8 x 45 mm</p> 	<p>F x 2 M8</p> 	<p>G x 1</p> 	
--	---	---	---	--



7

C x 2  
M8 x 35 mm

G x 1  
M8

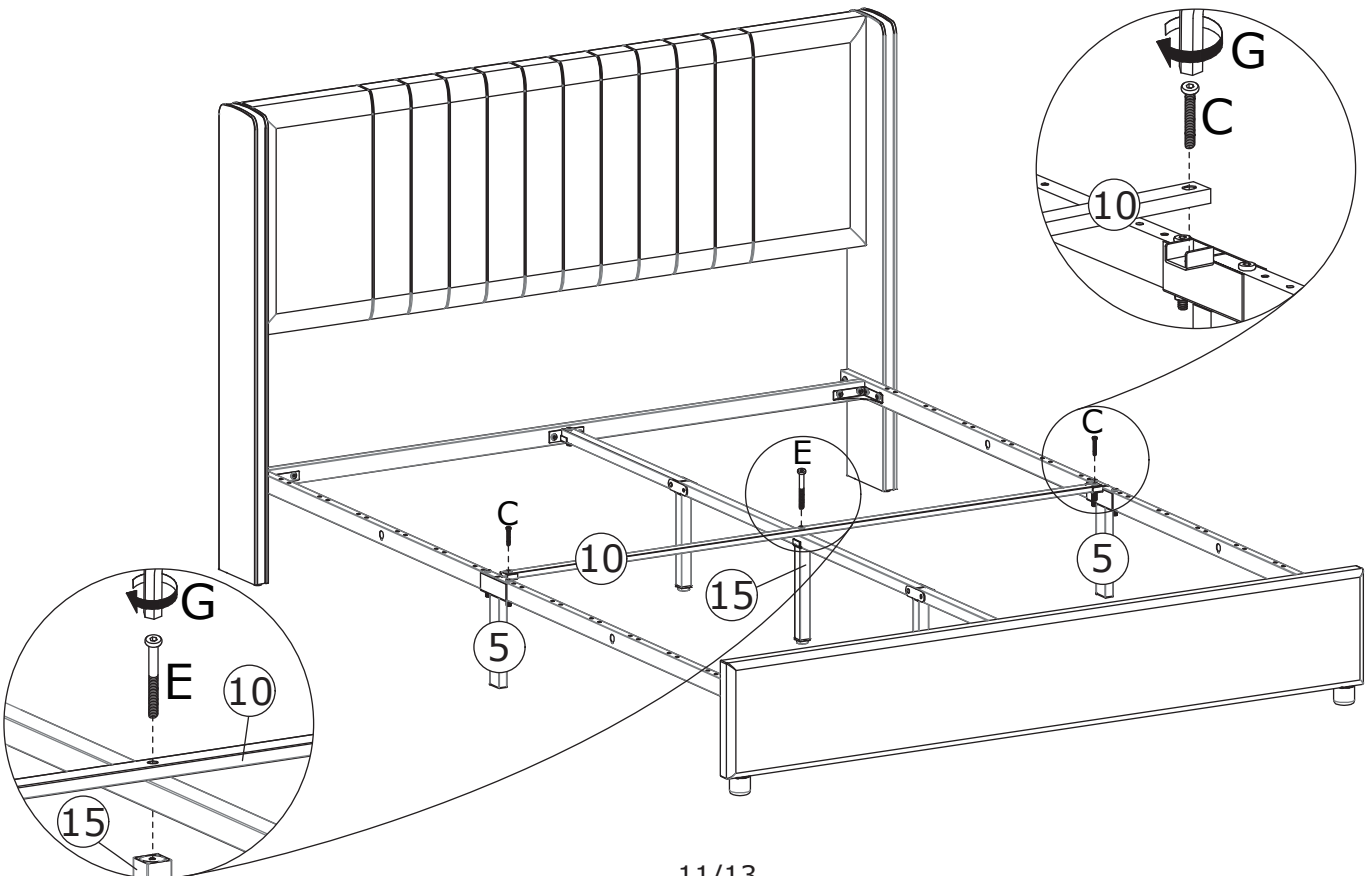


8

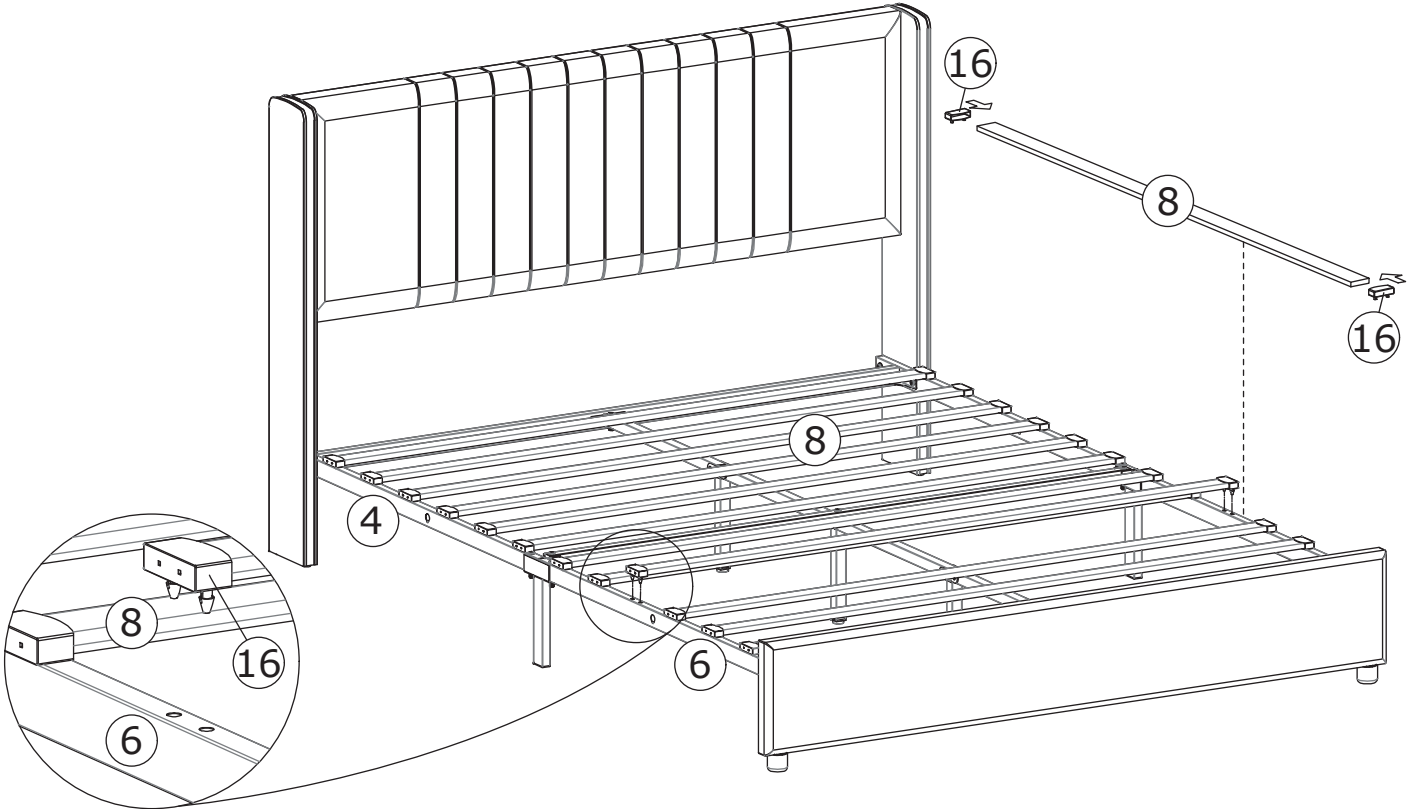
C x 2  
M8 x 35 mm

E x 1  
M8 x 55 mm

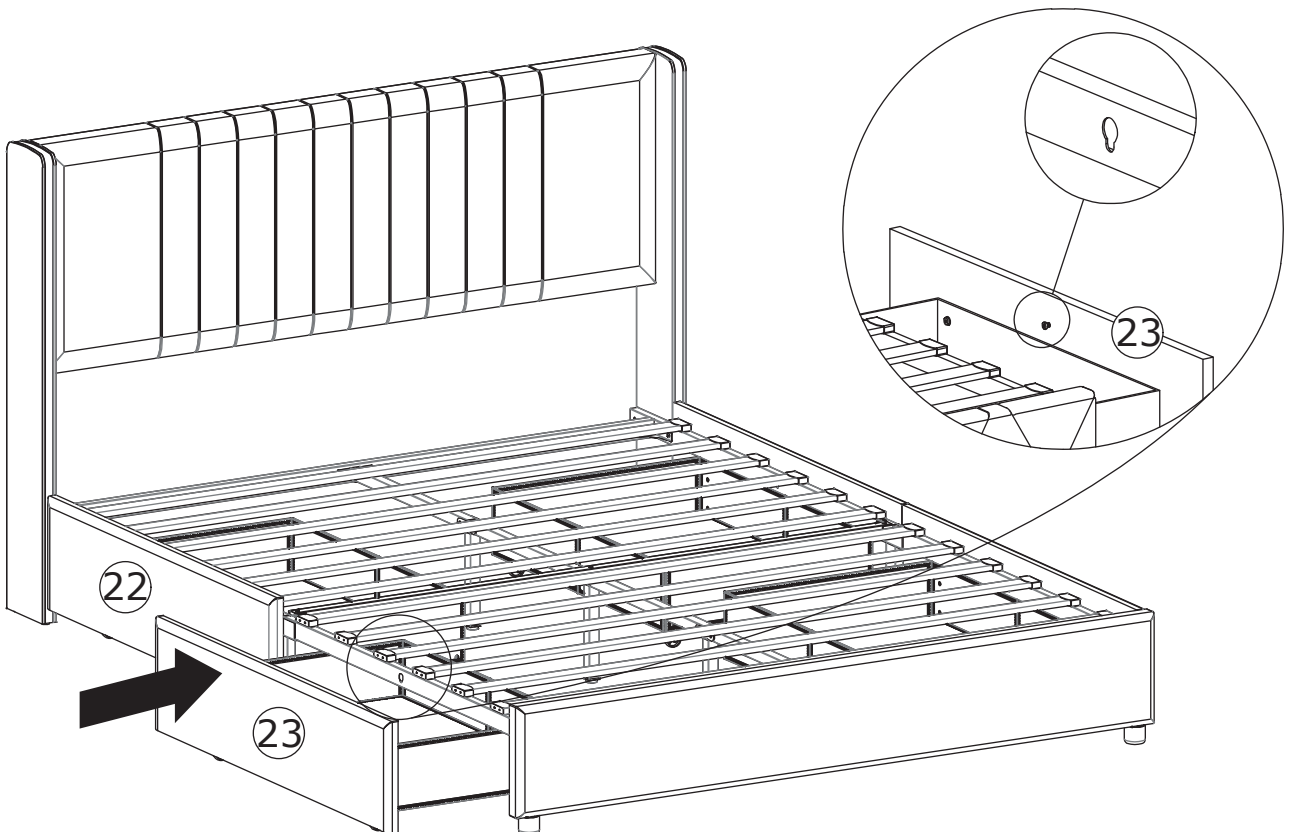
G x 1  
M8



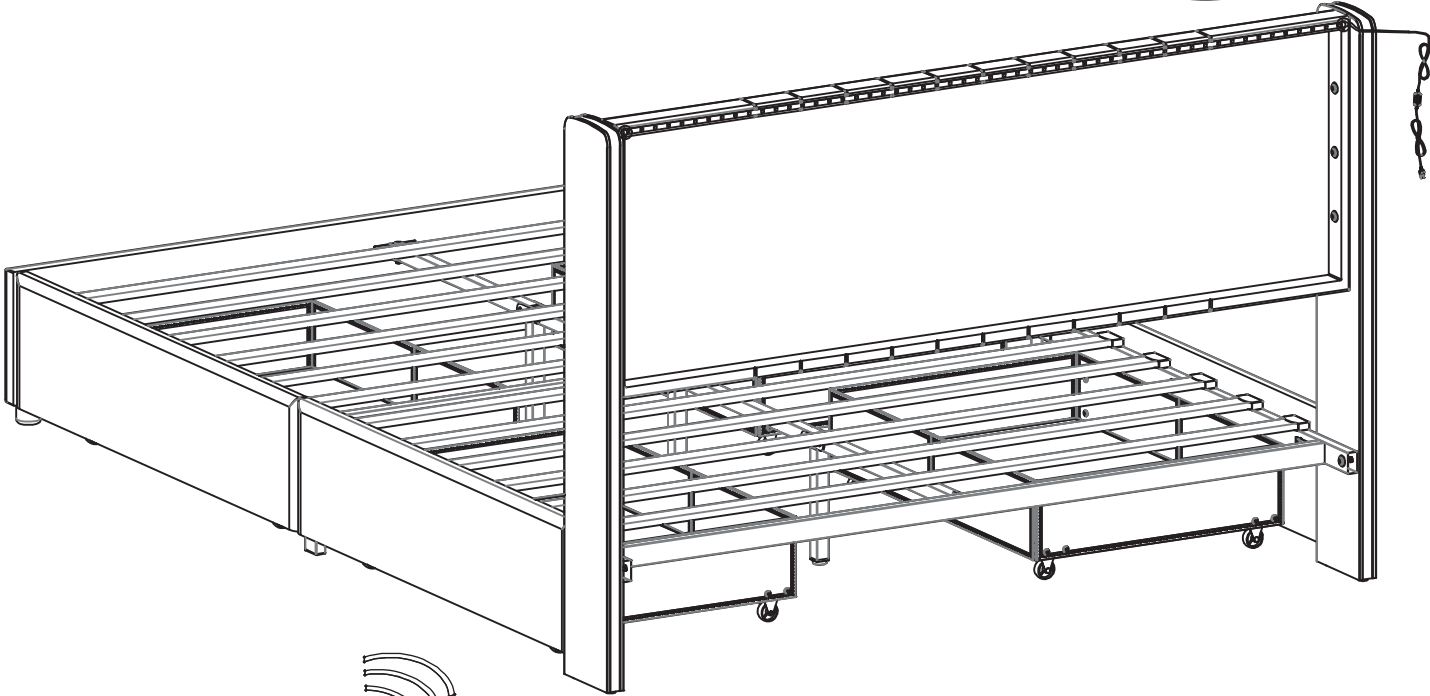
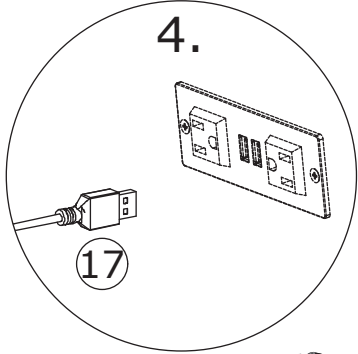
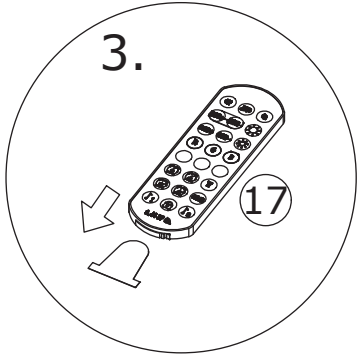
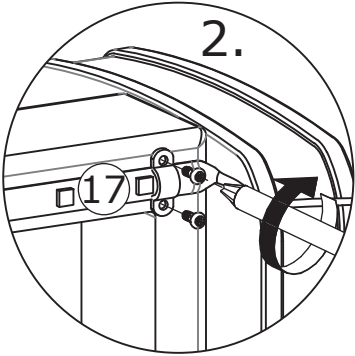
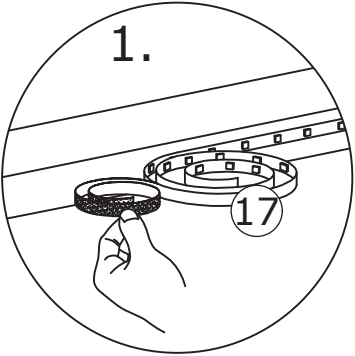
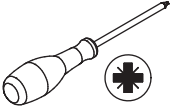
9



10



11



# LotusLantern APP Manual

## 1. Software Overview

### 1.1 Overview

LotusLantern is a mobile APP to control LED strip by both IOS and Android phones.

The traditional control ways like infrared, 433MHz, 2.4GHz and others old wired ways will be replaced by mobile phone control way with convenient, powerful and scalable features.

Through this mobile APP , you can not only control the color, brightness and color temperature of the LED strips but also set up all kinds of fancy flash mode ; Also this APP can change the light of the LED strip according to the rhythm of the music. This APP can set and control several LED strips through Bluetooth and the operation is very simple, easy to learn and easy to use.

### 1.2 Features

- Adjust color LED strips with 60,000 colors to change color and brightness and adjust monochrome LED strips to change brightness and color temperature
- Play music or turn on a sound playback device, you can let the light change the color and brightness with the rhythm of music, the music rhythm beautiful
- Inside multiple setting mode for color change and control LED strips without mobile
- Long distance control with omni-directional antenna, and many-to-many group control mode
- Once the connection is successful, connect automatically next time

### 1.3 Performance

LotusLantern APP is easy for use as well as great compatible with all kinds of smart phones; After the actual test of hundreds of mobile phones verification, the compatibility is above 95% of mobile phones in the market. APP is small and convenient, it consumes less system resources, so the requirements of the mobile configuration are low. Control delay is small, the operation feels good, light control is smooth with people's visual sense.

## 2. Operating Environment

This APP program requires phones of system above Android 4.3 and iOS 8.0. Mobile phone configuration is not limited.

## 3. Instructions

Note: Android version and iOS version download and use the same method, here in the Android version as an example.

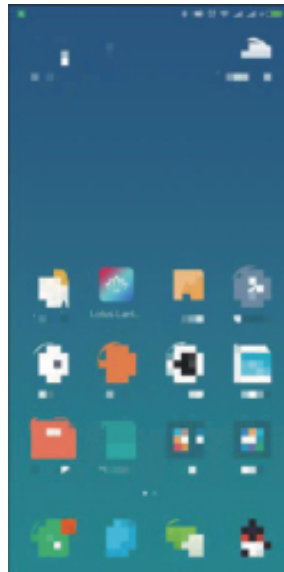
### 3.1 APP Download

Scan the QR code

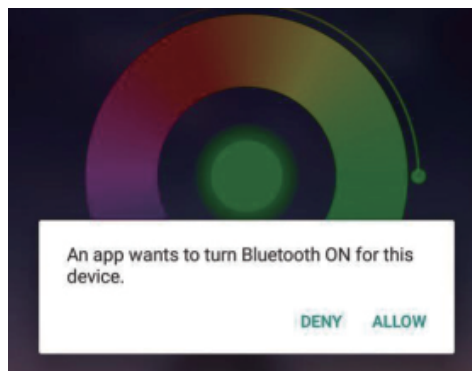
iOS and Android systems can download the "LotusLantern" APP by scanning the QR code. Open the browser or other tools with "Scan QR code" function, scan the "LotusLantern" QR code as below:



### 3.2 App Operation



- (2) After entering the APP interface, if Bluetooth is not enabled, "an application wants to enable the Bluetooth function of this device." Click [Allow]

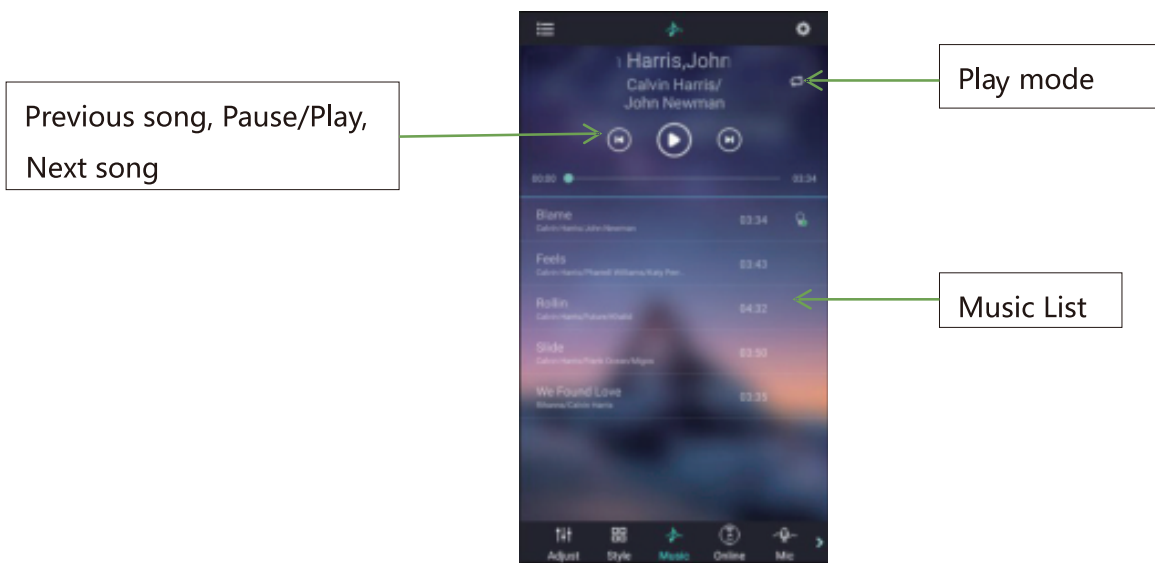


- (3) switch to color and brightness interface:

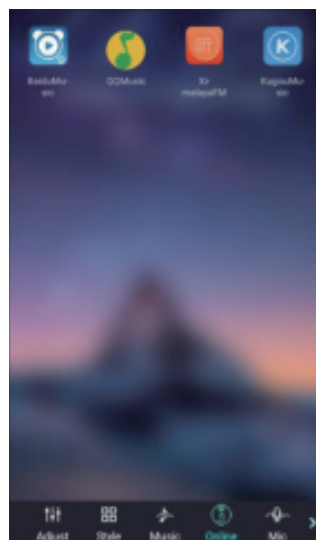
A smartphone screen displaying a color and brightness control interface. The interface features a large color wheel, a brightness slider, and various preset buttons. Annotations with arrows point to specific UI elements:

- Click to show the lamp list (points to a hamburger menu icon)
- Switch the color wheel (points to a small color wheel icon)
- Display the RGB value  
Click to manual adjustment view (points to the RGB values: R 98, G 103, B 111)
- Click to display setting view (points to a gear icon)
- Lamp switch button (points to a toggle switch)
- Adjust the color (points to the main color wheel)
- Click square icon to adjust the color (points to a square icon in the preset row)
- Click to shift the interface (points to a right-pointing arrow icon in the bottom navigation bar)

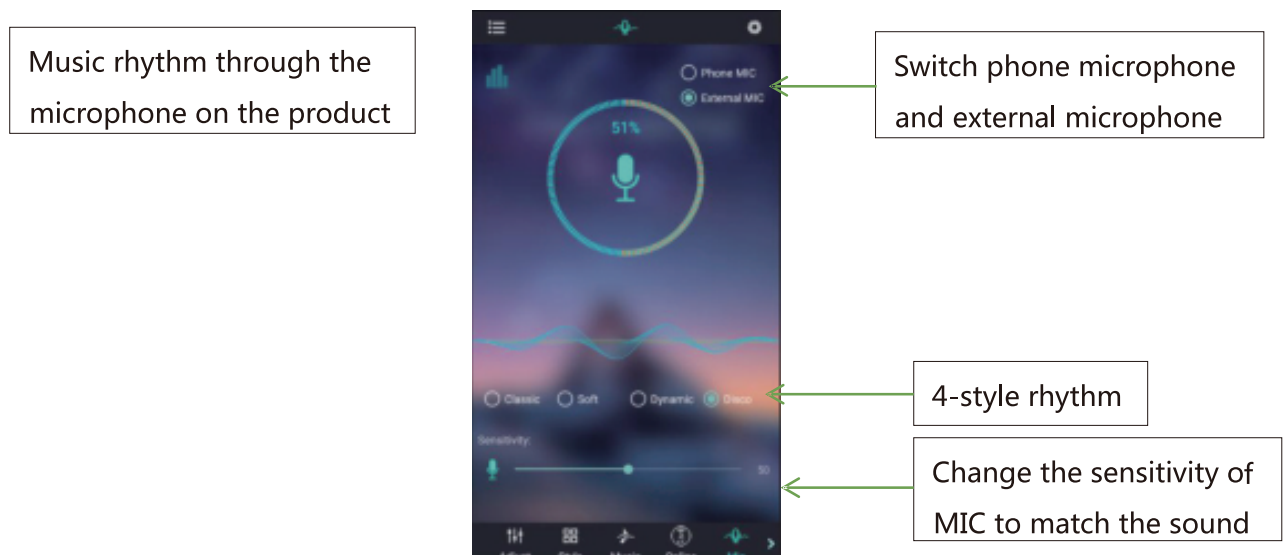
( 7 ) switch to the music rhythm interface:



( 8 ) Switch to the online music interface:

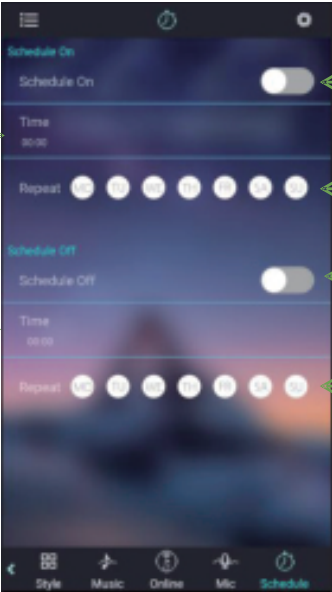


( 9 ) Switch to the microphone rhythm interface:





( 10 ) Switch to the schedule interface:

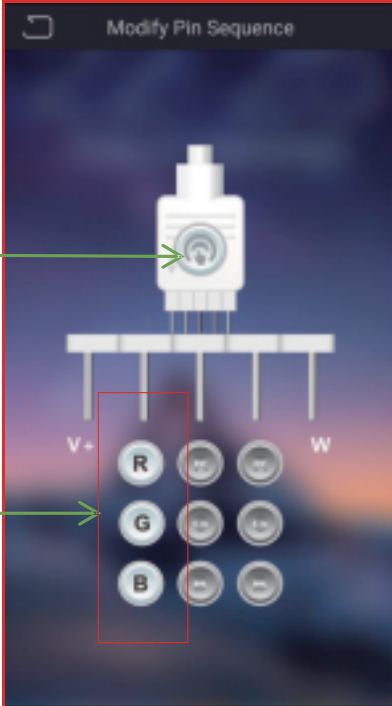


The screenshot shows the 'Schedule' interface with two main sections: 'Schedule On' and 'Schedule Off'. Each section has a toggle switch, a 'Time' field, and a 'Repeat' row of seven circular buttons. The 'Repeat' buttons are labeled with 'O', '1', '2', '3', '4', '5', and '6'. The 'O' button is selected in both sections. The 'Schedule On' section has a time of '20:00' and the 'Schedule Off' section has a time of '09:00'. The bottom navigation bar includes icons for 'Style', 'Music', 'Online', 'Mic', and 'Schedule'.

Annotations:

- Set the time of Light-On (points to the 'Time' field in the 'Schedule On' section)
- Set the time of Light-Off (points to the 'Time' field in the 'Schedule Off' section)
- Enable or disable the Light-On function (points to the 'Schedule On' toggle switch)
- Repeat setting  
No selection for once Light-On (points to the 'Repeat' buttons in the 'Schedule On' section)
- Enable or disable the Light-Off function (points to the 'Schedule Off' toggle switch)
- Repeat setting  
No selection for once Light-Off (points to the 'Repeat' buttons in the 'Schedule Off' section)

( 11 ) Switch to the modify pin sequence interface:

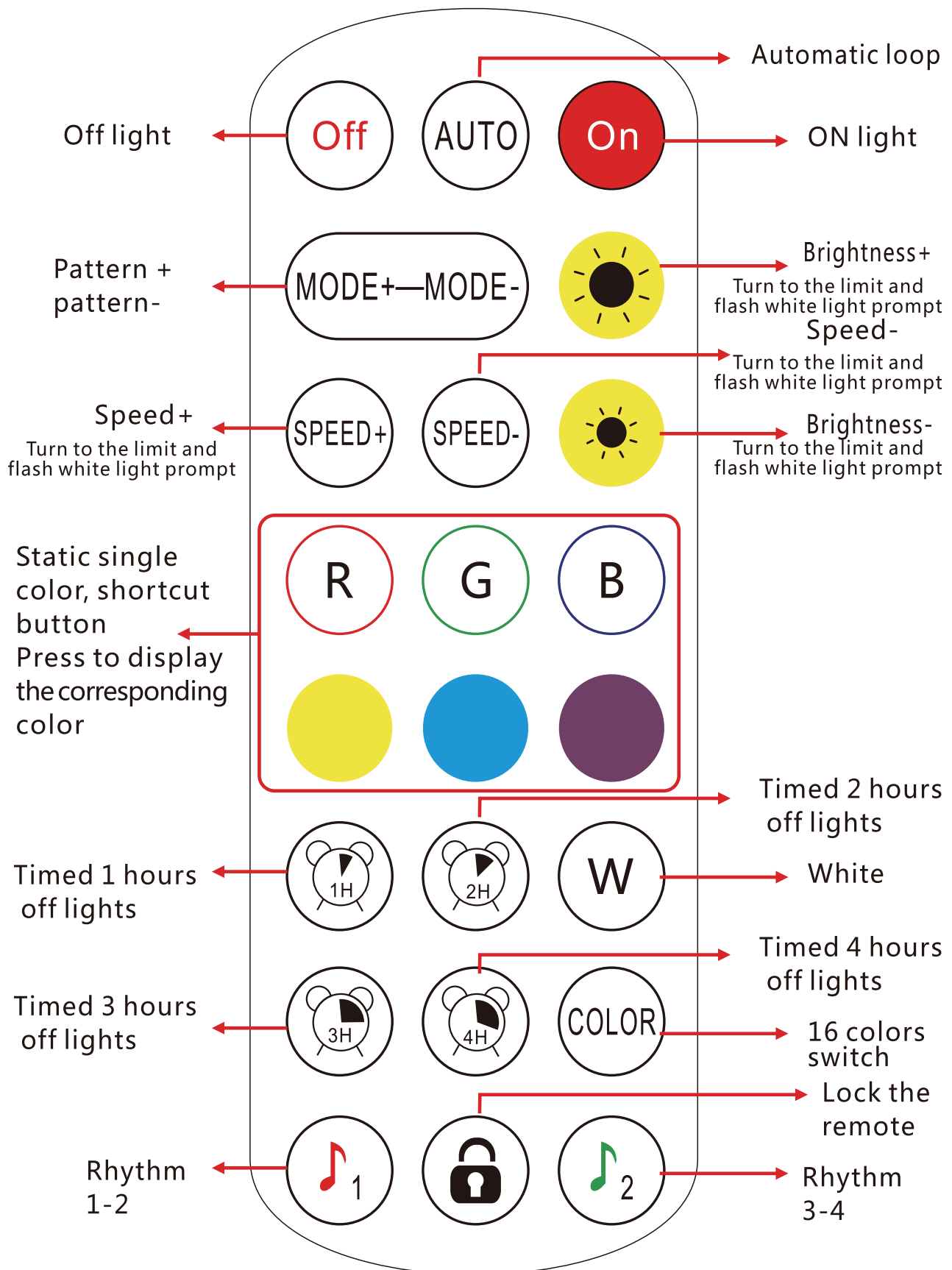


The screenshot shows the 'Modify Pin Sequence' interface. At the top, there is a 'Modify Pin Sequence' title and a back arrow. Below the title is a white connector icon with a blue circular button in the center. Below the connector is a horizontal row of seven pins. Below the pins is a keyboard with three rows of buttons. The first row has 'V+', 'R', 'G', 'B', and 'W'. The second row has 'R', 'G', 'B', and 'W'. The third row has 'R', 'G', 'B', and 'W'. A red box highlights the 'R', 'G', and 'B' buttons in the first row. A green arrow points from the 'Click to save the new assignment' callout to the blue circular button on the connector. Another green arrow points from the 'Change the real color of this line' callout to the 'R', 'G', and 'B' buttons in the first row.

Annotations:

- Click to save the new assignment (points to the blue circular button on the connector)
- Change the real color of this line (points to the 'R', 'G', and 'B' buttons in the first row of the keyboard)

# LED2021-24KEY



Rhythm 1-2: Single click to switch to 1-2 rhythm mode

Rhythm 3-4: Click to cycle through the 3-4 rhythm mode

Remote control lock: After pressing, the remote control is locked, pressing the switch is available, other keys are invalid. After pressing once, the unlock button can be used. After the remote control is locked, press the switch to unlock the remote control.

# WARRANTY

## WARRANTY CLAIMS

- There is a 30-day warranty for broken furniture or any other problems that do not work properly. The warranty will start from the date of purchase which must be verified by proof of purchase.
- Before making a claim, we may be able to answer your query, simply call us. Please leave your purchase order number, along with some details of the problem, if you want a replacement part. We will arrange within 48 hours. If there is out of stock, we will reply with a shipping date.
- The product must be used in accordance with the instructions provided. For health reasons.
- For other reasons, if the furniture needs to be returned, it must be cleaned and dried and operated within 30 days of receipt.

## Type of Warranty Claim

- Failure to follow the furniture instructions will invalidate the warranty. Attention please.
- Does not include damage during installation, but includes damage during transportation.

## Scope of responsibility

- Shall not bear any responsibility for misuse or user damage and / or loss of parts during the installation of furniture.
- After using, the damage and scratches of the furniture are not covered by the warranty.

## The Warranty Relates to All Bought in The Us and Covers The Following Areas

- Sheet parts: 1 month from the date of purchase.
- Electrical parts: 1 month from the date of purchase.

# RETURNS

## CHANGED YOUR MIND AND NEED TO RETURN YOU ITEM?

### PLEASE FOLLOW THE BELOW INSTRUCTIONS:

- If you have purchased and have simply changed your mind, follow the retailer's instructions for returns.

### DEFECTIVE ITEMS

- If your item is defective in any way, i.e. it doesn't work but you can't identify why, in the first instance, please call us.

### DAMAGED ITEMS

- If you receive an order with obvious shipping damage from the retailer, then we suggest the delivery is refused. If the delivery has been accepted and then shipping damage is found, please follow the specific instructions advised by the retailer.  
In all circumstances please save all packaging material and paperwork for the order. Please be aware that if you dispose of packaging material or attempt to return the merchandise without contacting the fulfiller, you jeopardise your chances of making a claim, and you may not receive a credit for the return.

### AFTER-SALES CONTACT



feedbackstation@163.com



(303)800-6387