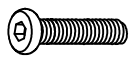


Parts List:



M8x15mm

(A) 24PCS



M8x25mm

(B) 12PCS



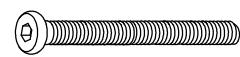
M8x35mm

(C) 4PCS



M8x40mm

(D) 24PCS



M8x45mm

(E) 2PCS



M8

(F) 36PCS



M8

(G) 1PC



M4x12mm

(H) 96PCS



Ø6

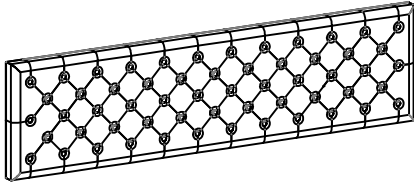
(I) 48PCS



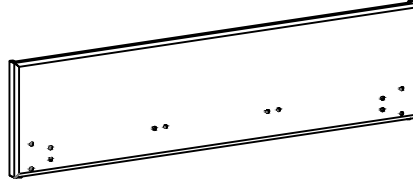
Ø15mm

(J) 48PCS

Parts List:



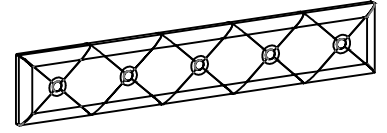
① 1PC



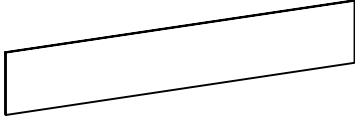
② 1PC



③ 4PCS



④ 4PCS



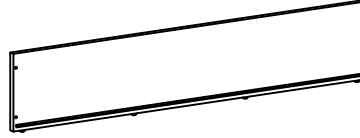
⑤ 4PCS



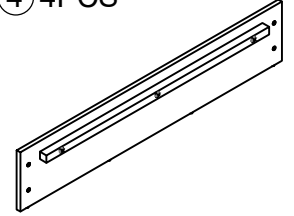
⑥ 6PCS



⑦ 2PCS



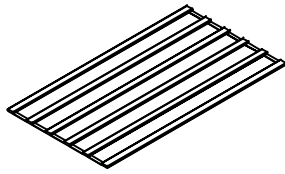
⑧ 4PCS



⑨ 1PC



⑩ 1PC



⑪ 2PCS



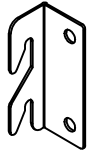
⑫ 4PCS



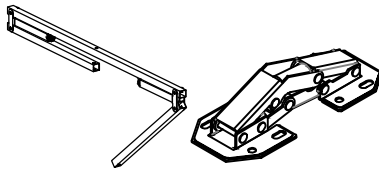
⑬ 2PCS



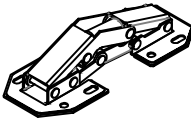
⑭ 1PC



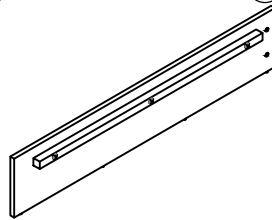
⑮ 1PC



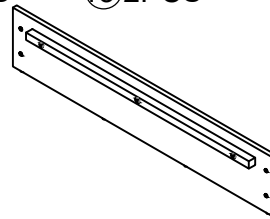
⑯ 2PCS



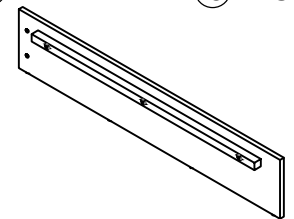
⑰ 12PCS



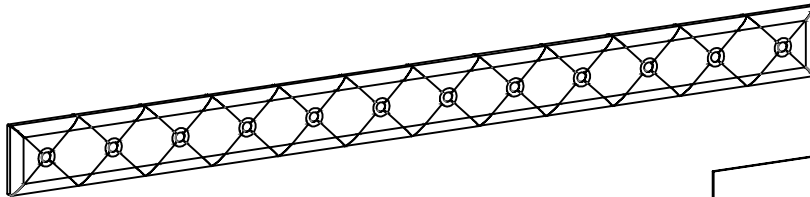
⑱ 1PC



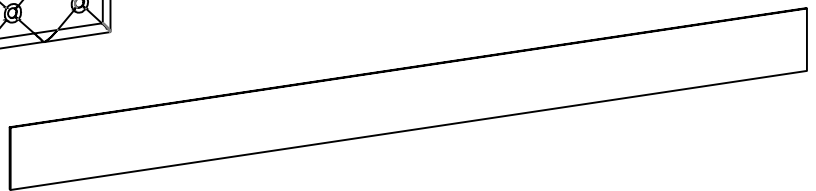
⑲ 1PC



⑳ 1PC



㉑ 1PC



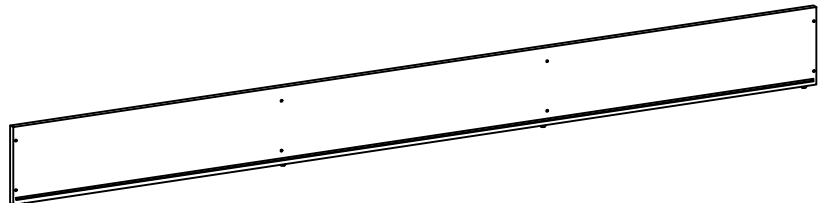
㉒ 1PC



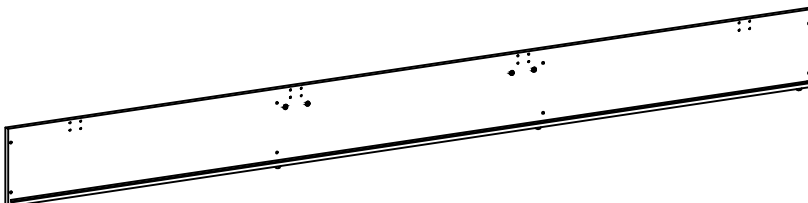
㉓ 2PCS



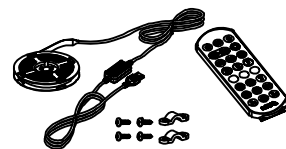
㉔ 2PCS



㉕ 1PC

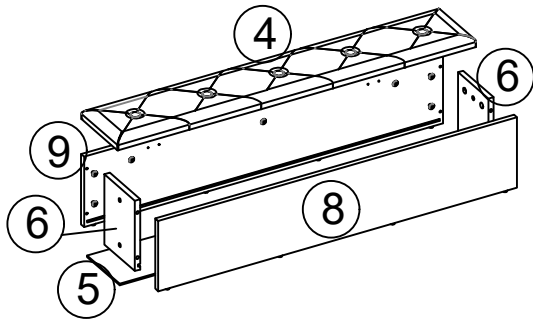


㉖ 1PC

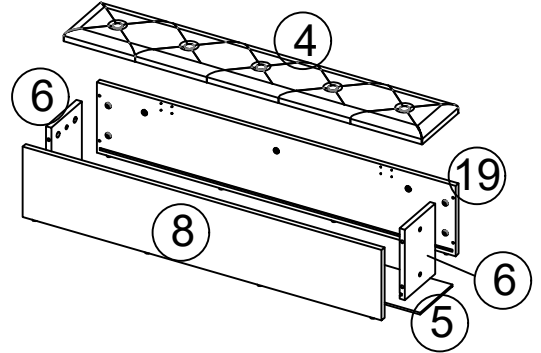


㉗ 1PC

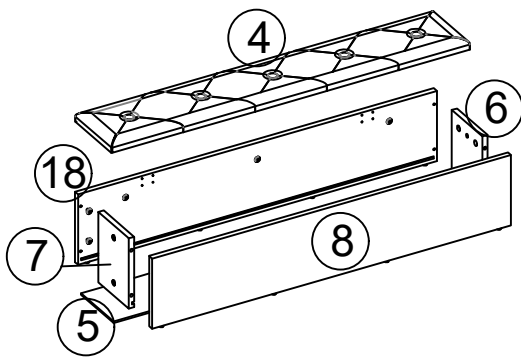
FRONT LEFT BOX



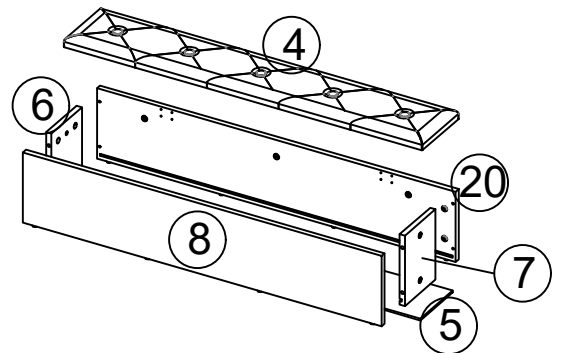
FRONT RIGHT BOX



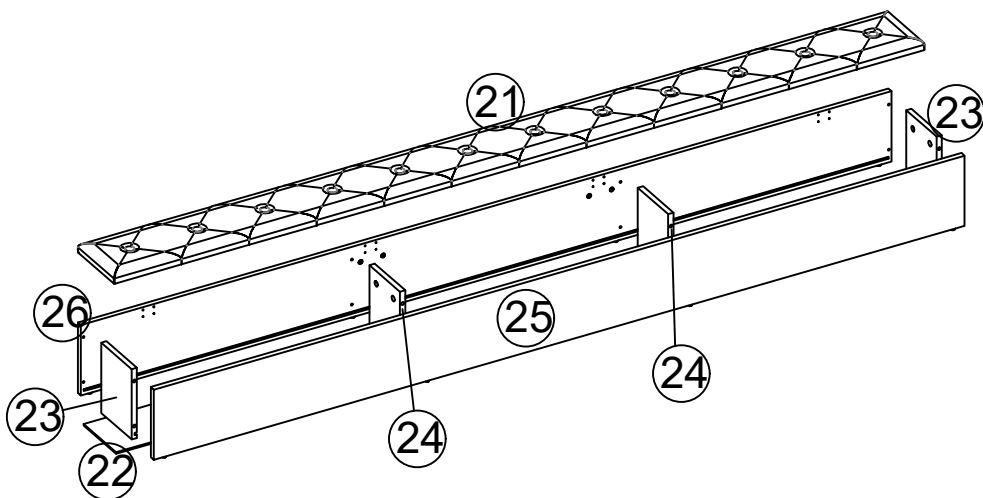
AFTER LEFT BOX



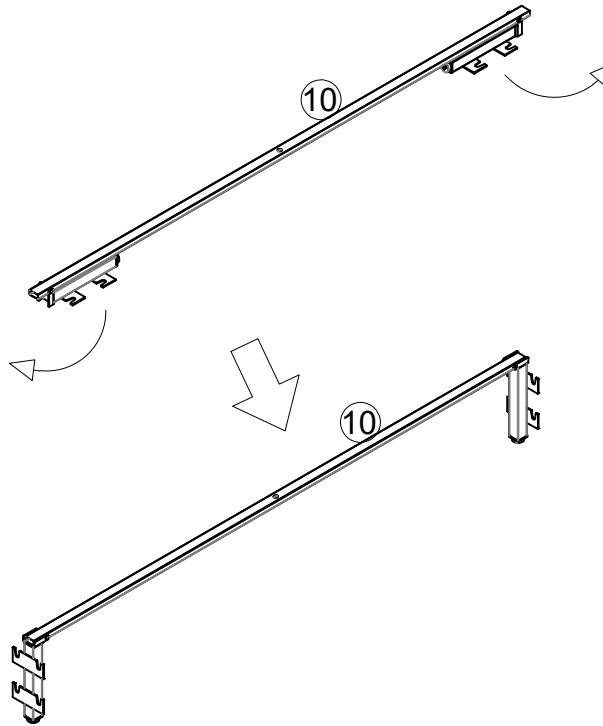
AFTER RIGHT BOX



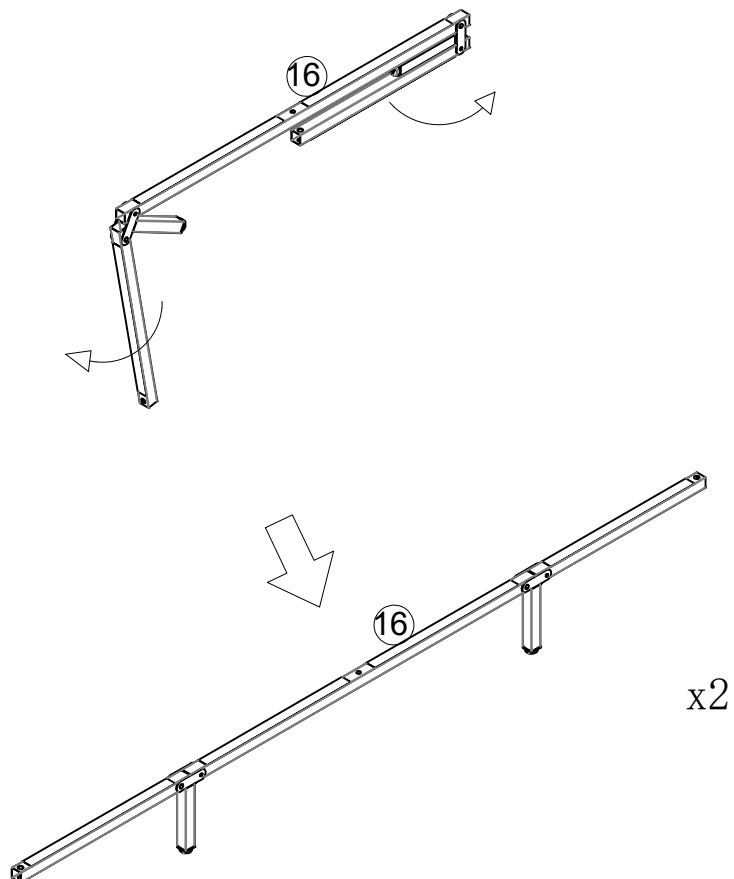
BED TAIL BOX



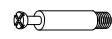
Step:1



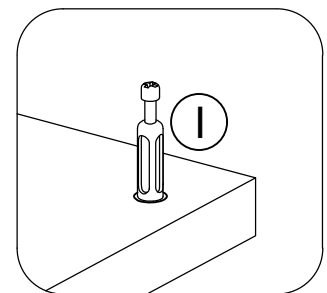
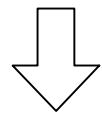
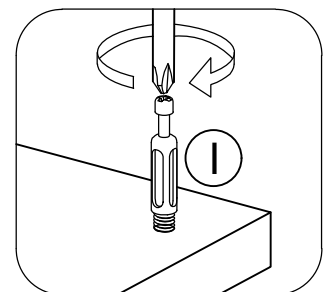
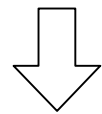
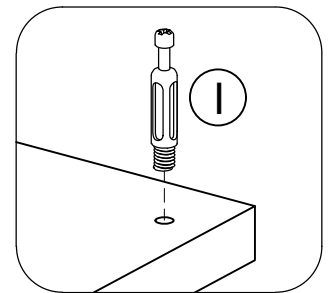
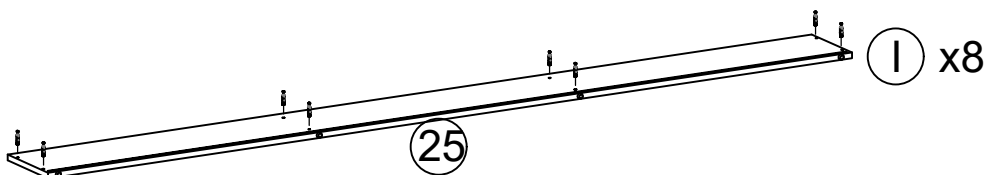
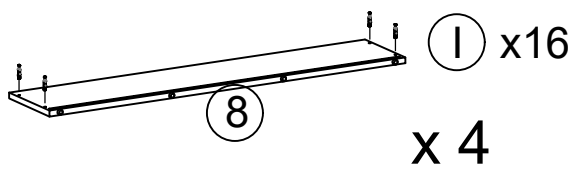
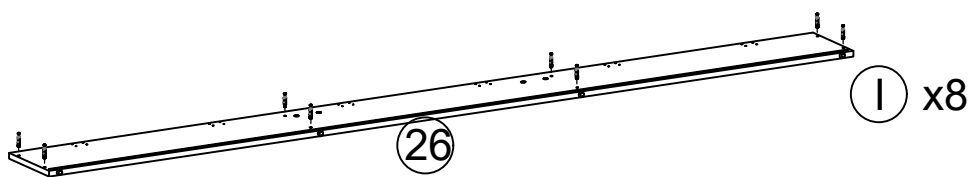
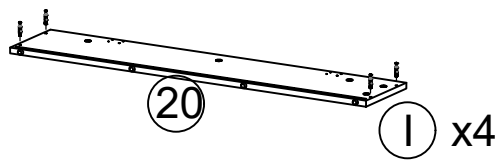
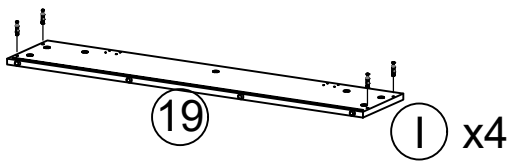
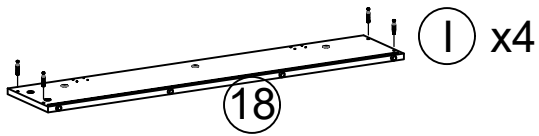
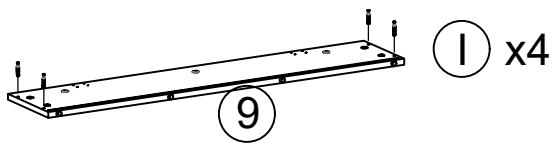
Step:2



Step:3



① x 48PCS



Step:4-1

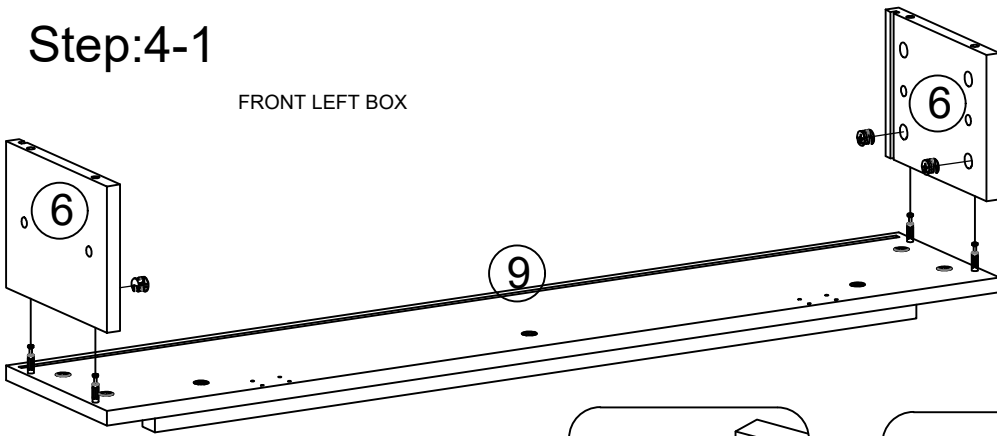
FRONT LEFT BOX



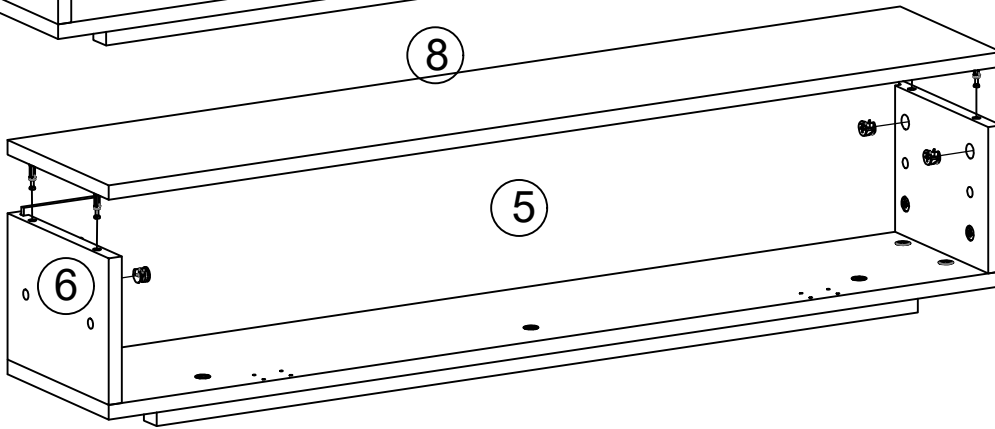
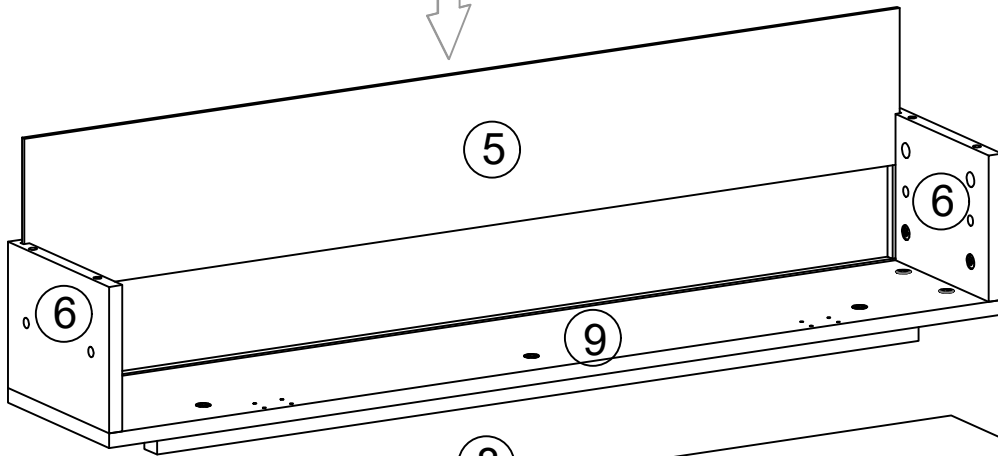
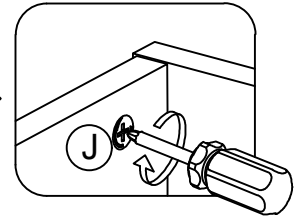
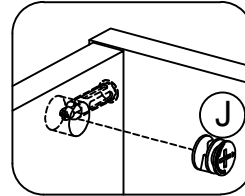
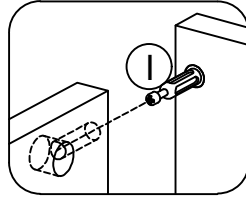
(H) x 8PCS



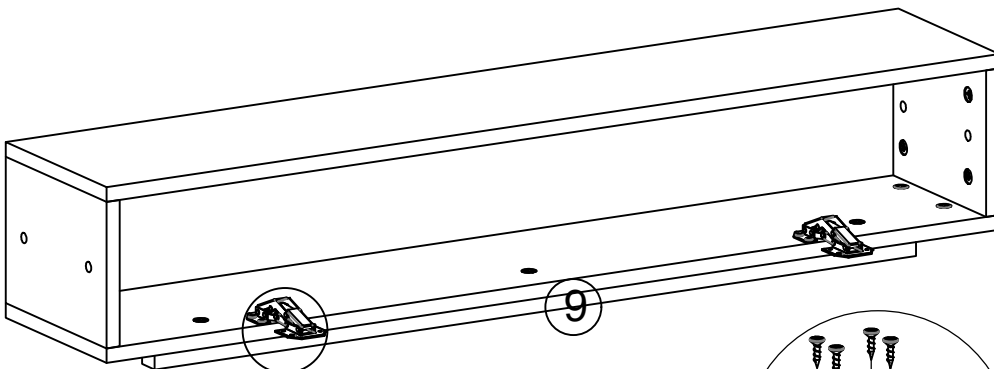
(J) x 8PCS



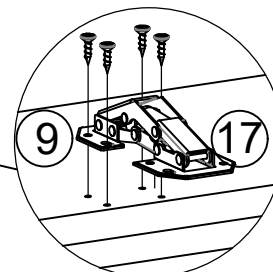
(J) X4



(J) X4



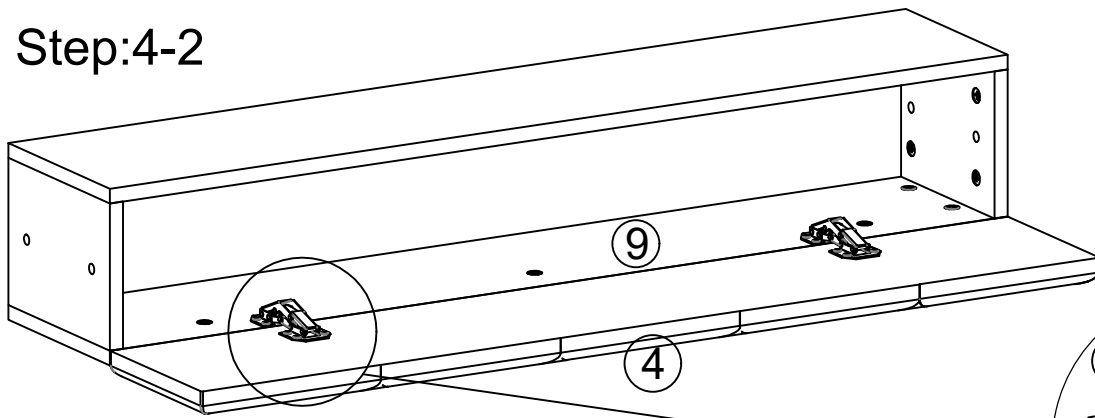
(H) x8



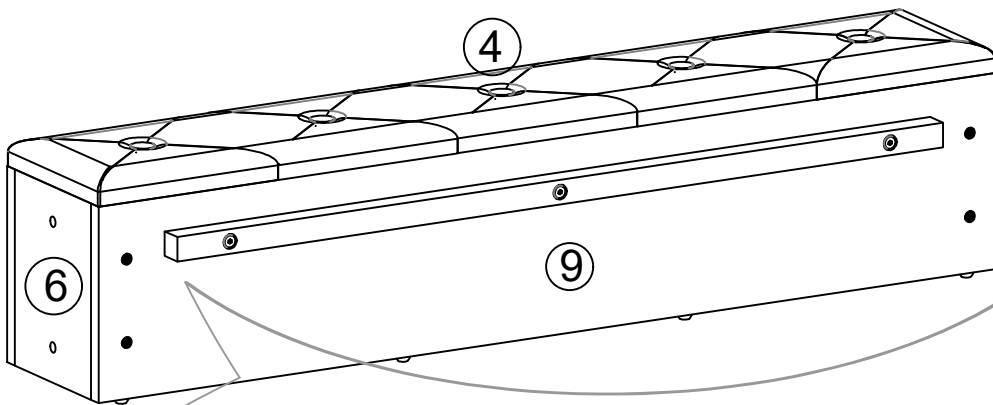
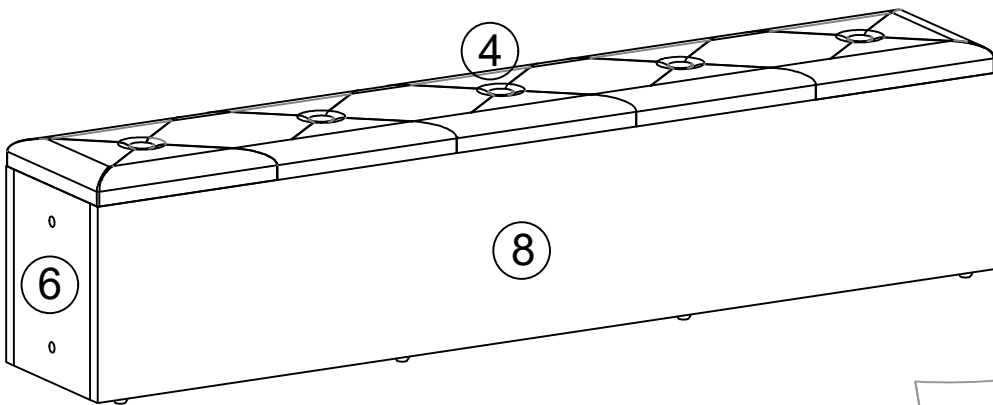
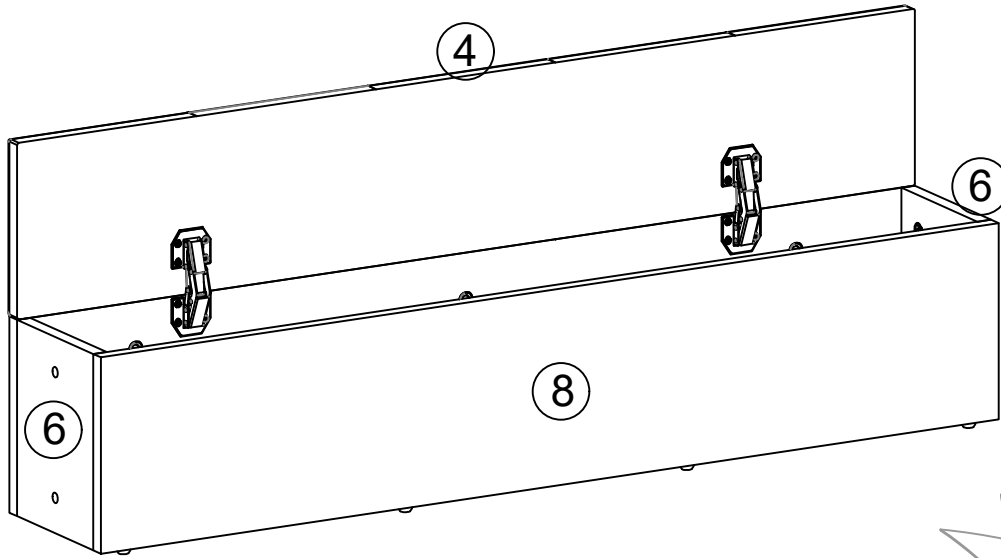
Step:4-2



(H) x 8PCS



(H) x8



Step:5-1

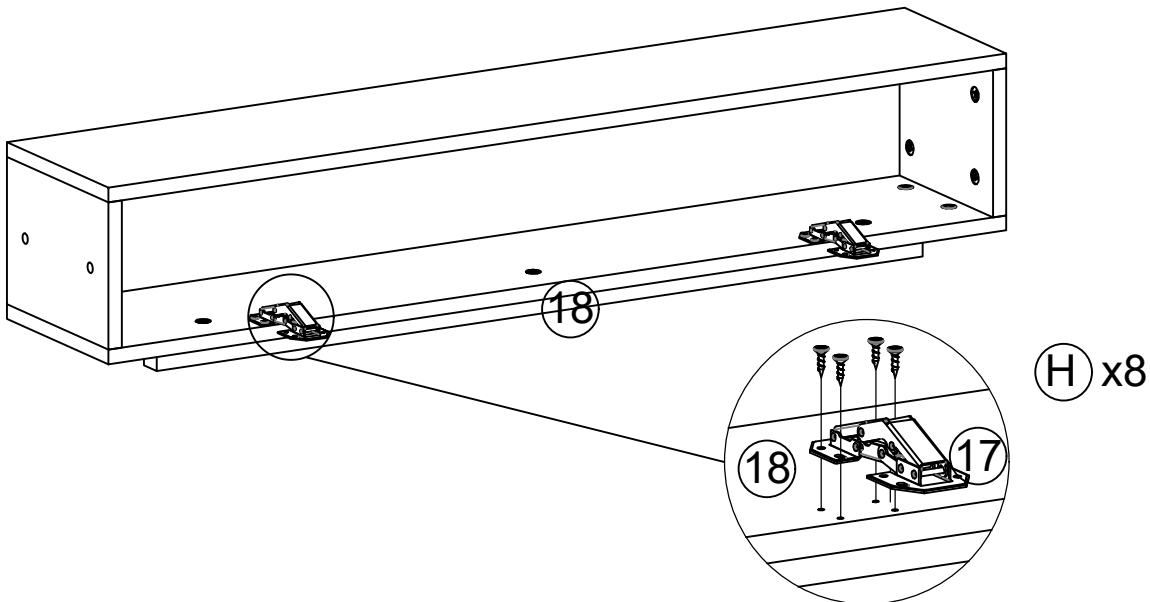
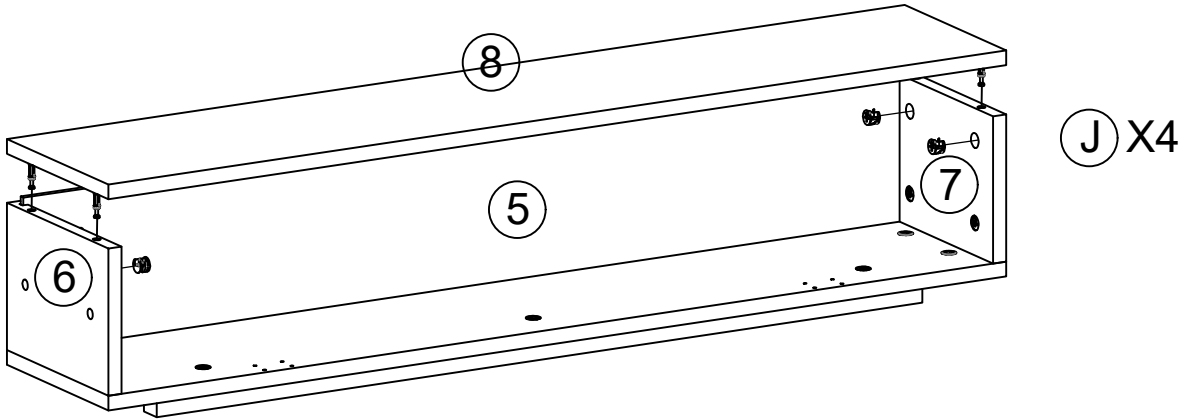
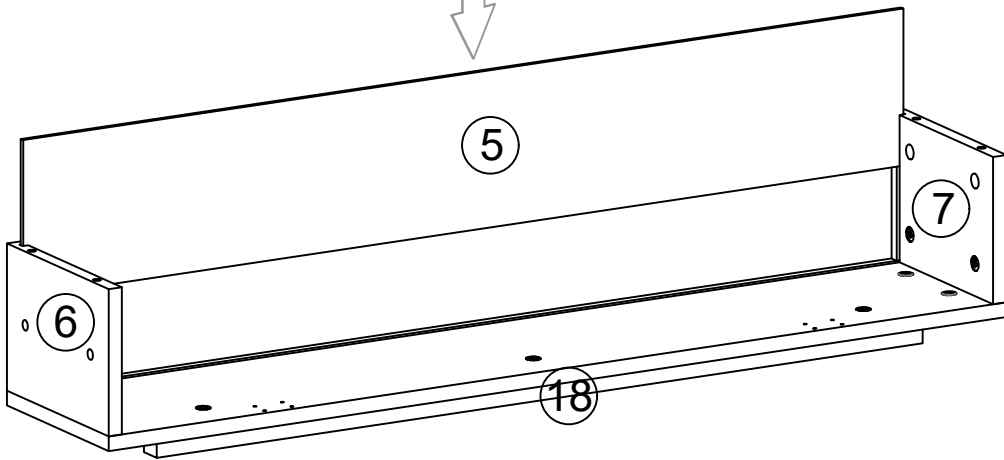
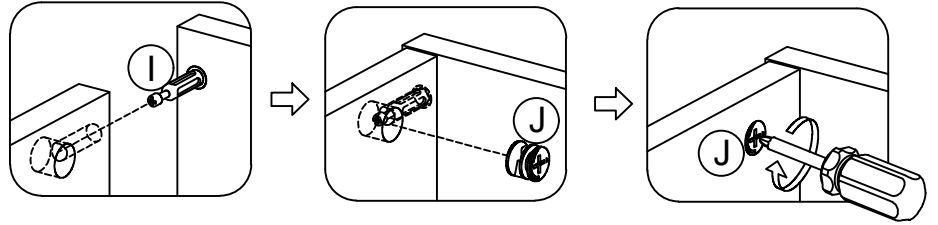
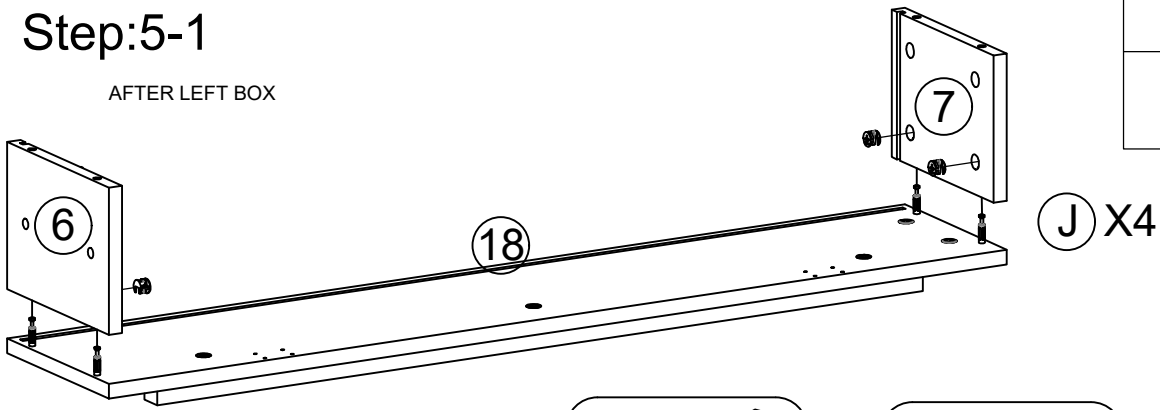
AFTER LEFT BOX



(H) x 8PCS



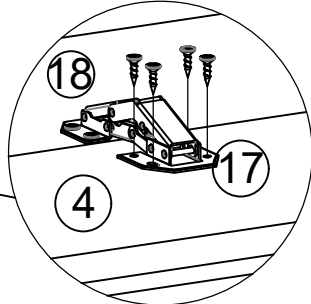
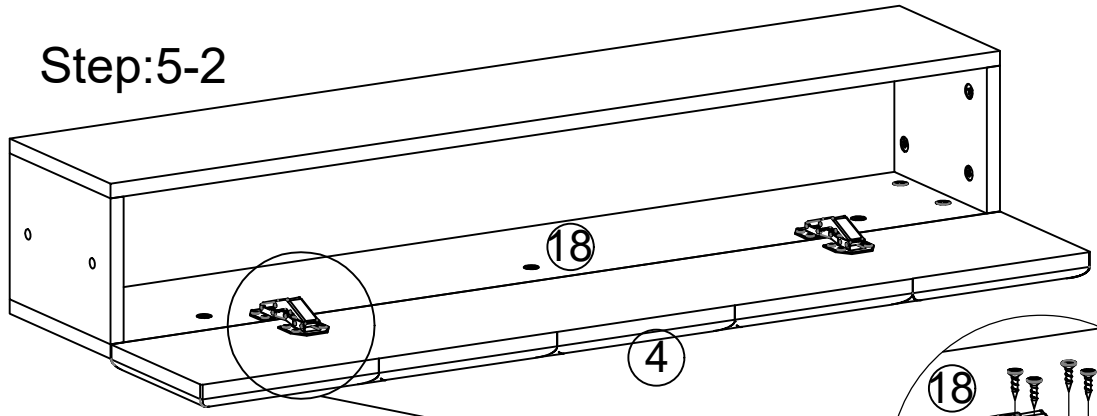
(J) x 8PCS



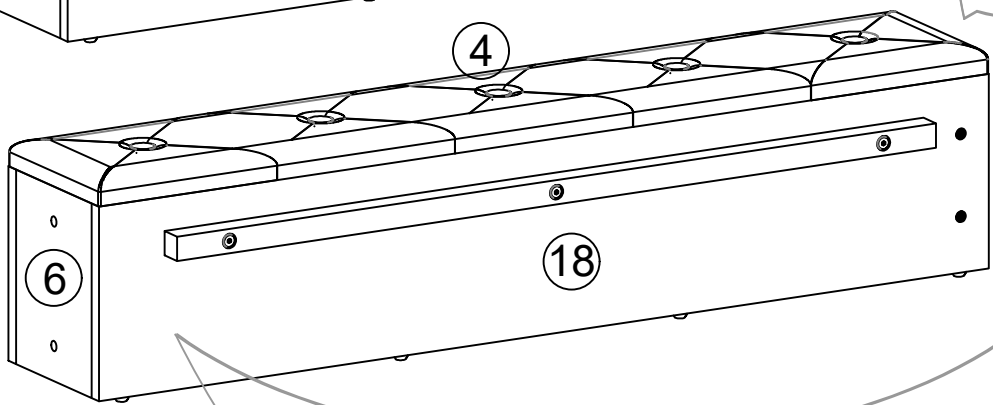
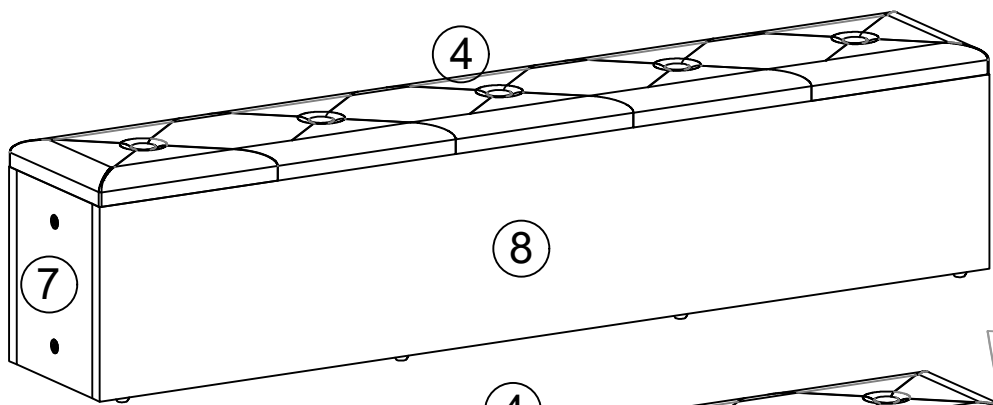
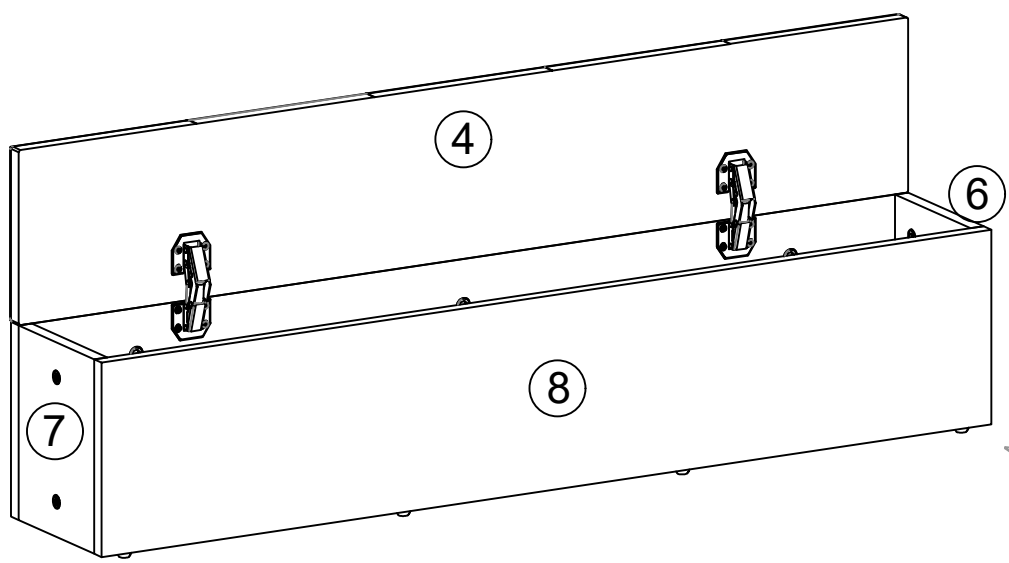
Step:5-2



(H) x 8PCS



(H) x8



Step:6-1

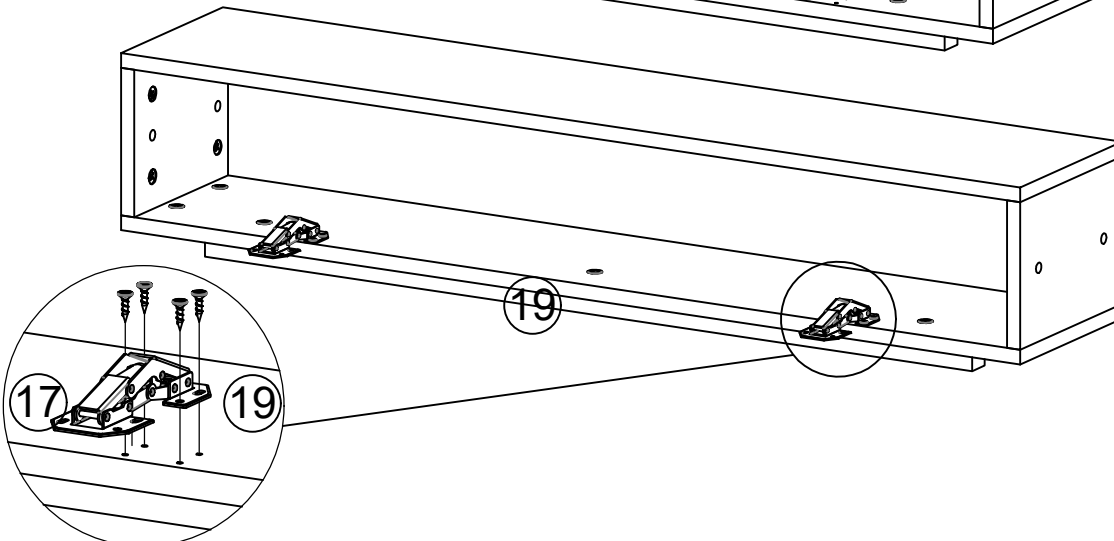
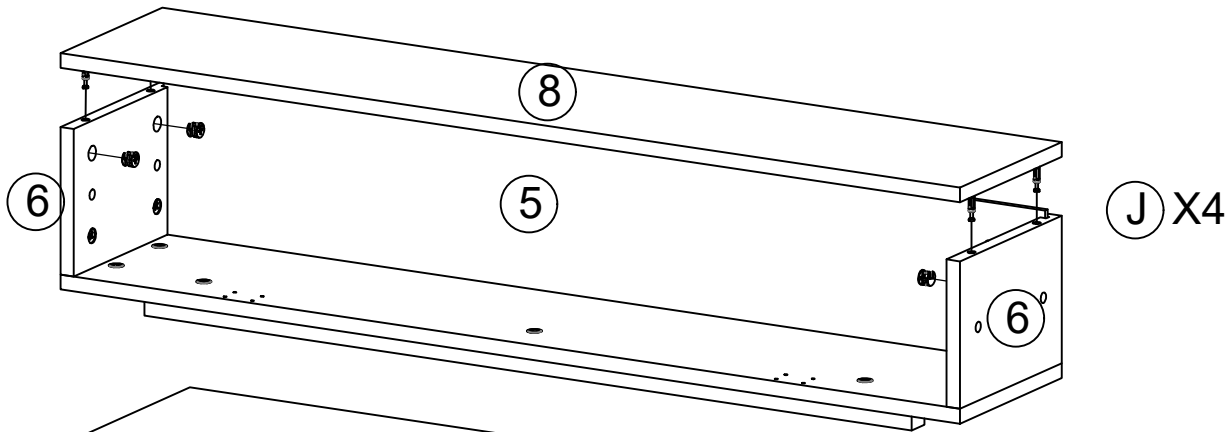
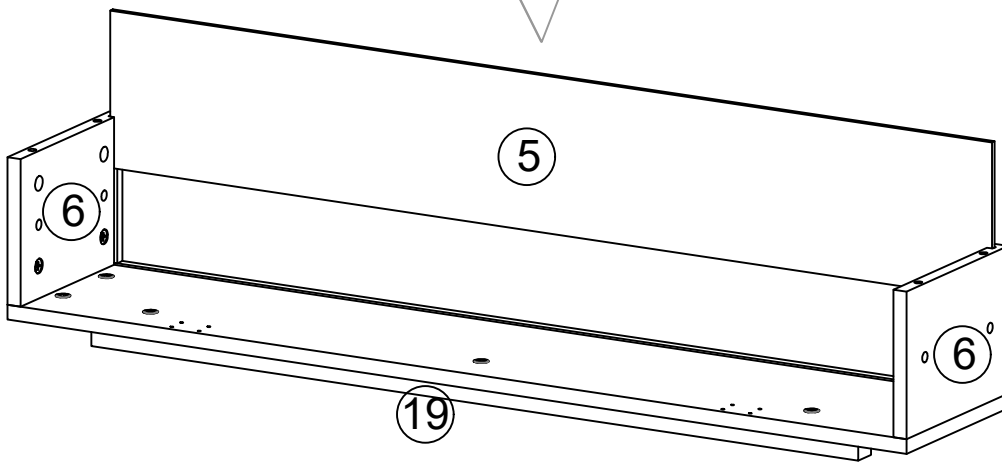
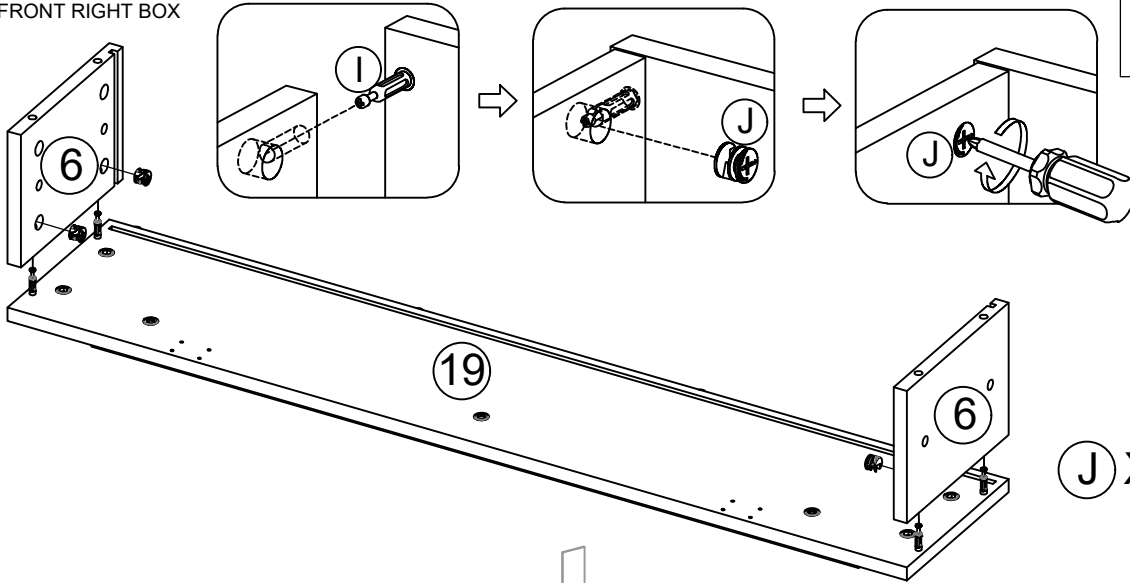
FRONT RIGHT BOX



(H) x 8PCS



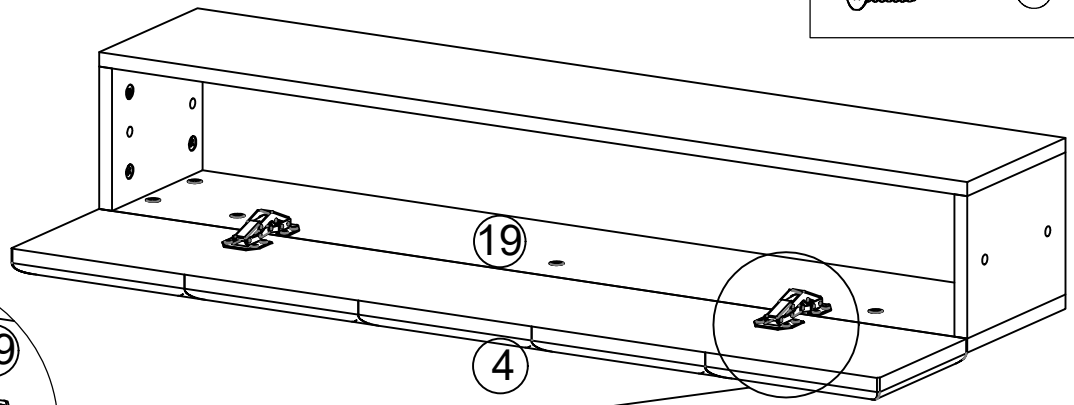
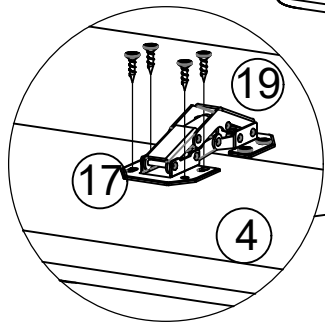
(J) x 8PCS



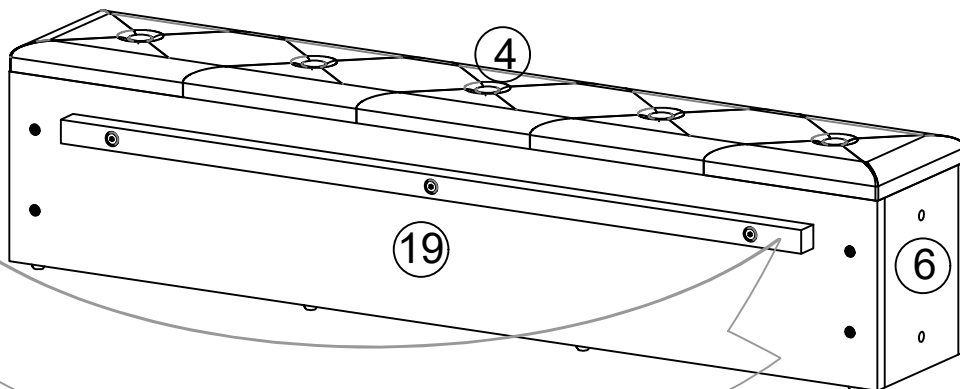
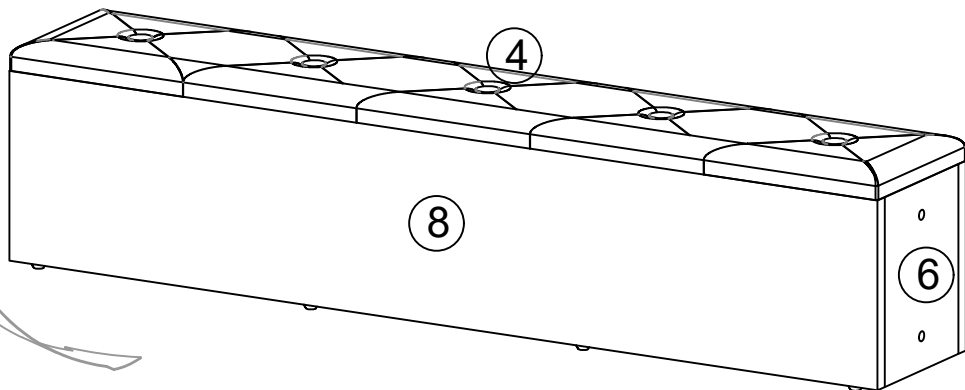
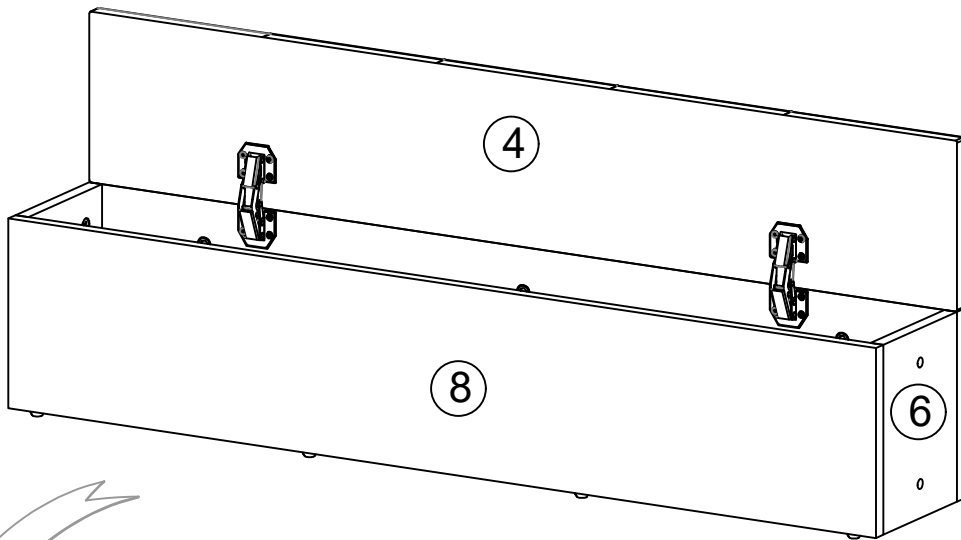
Step:6-2



(H) x 8PCS



(H) x8



Step:7-1

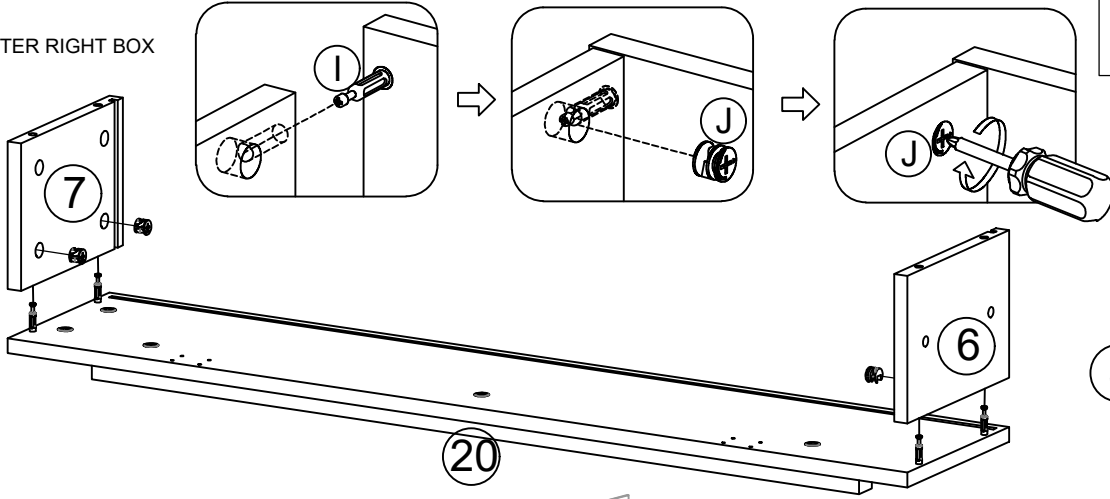
AFTER RIGHT BOX



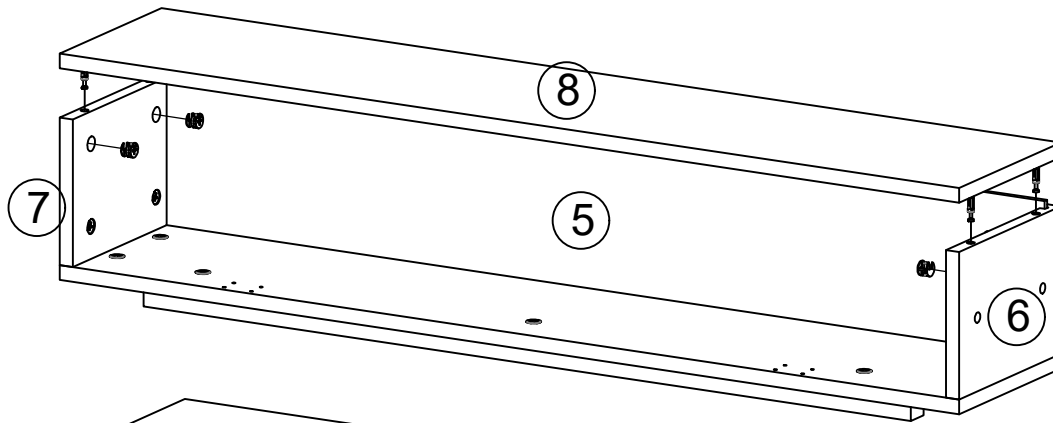
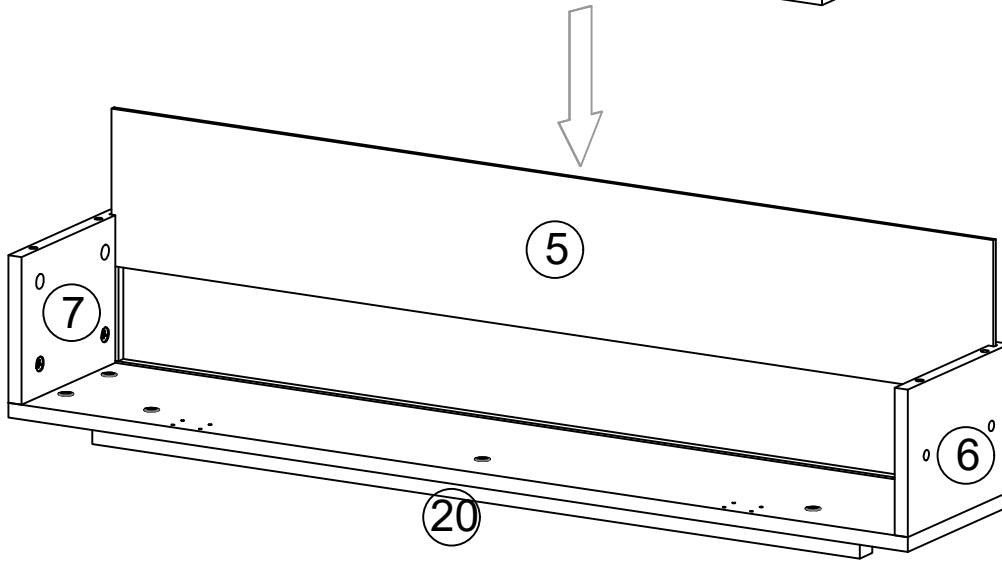
Ⓜ x 8PCS



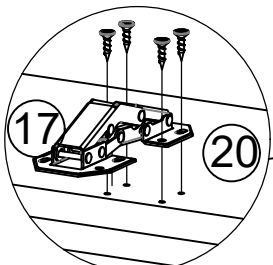
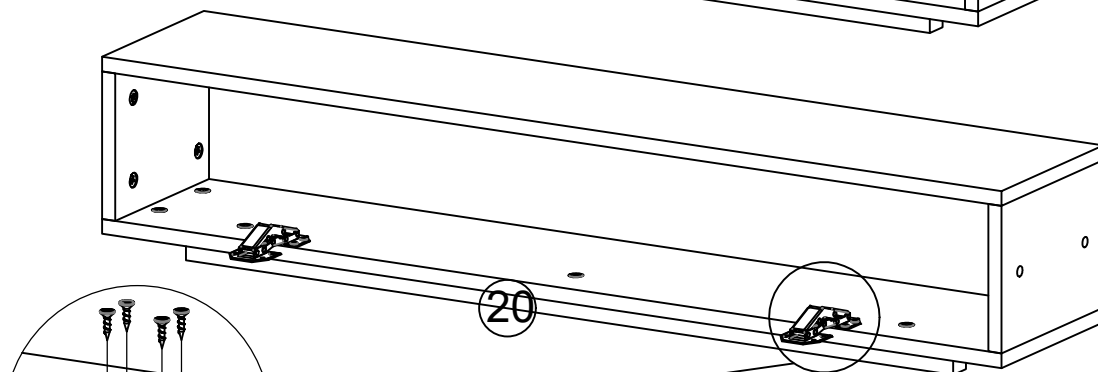
Ⓝ x 8PCS



Ⓝ X4



Ⓝ X4

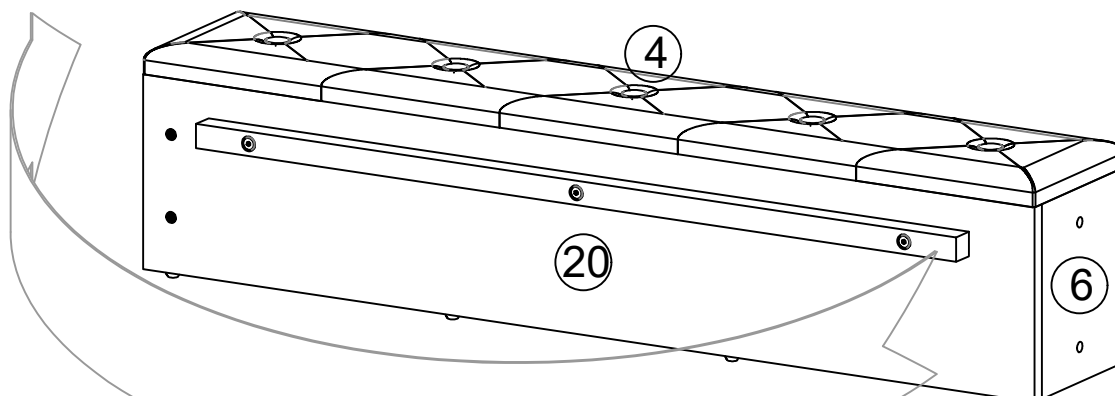
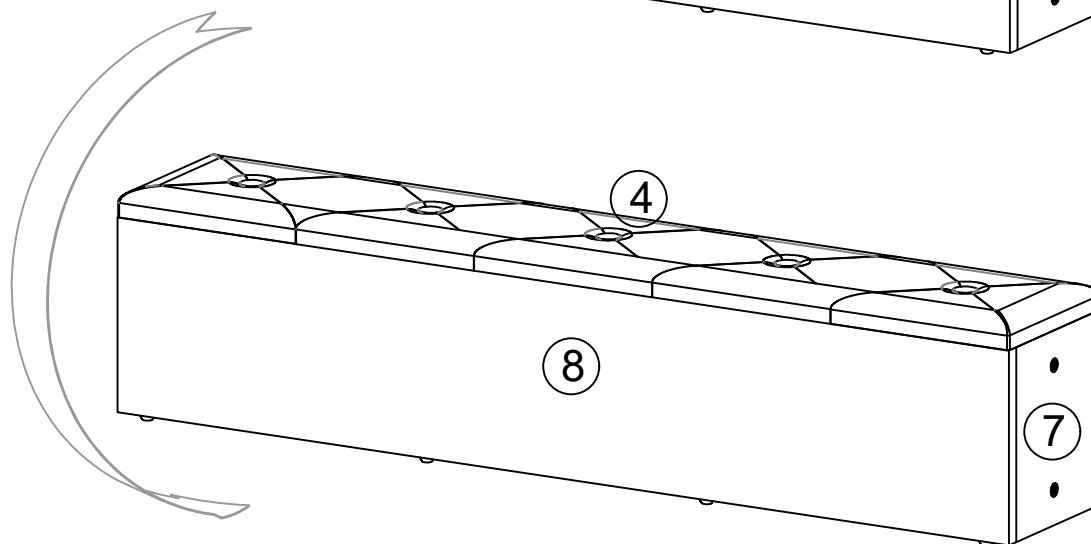
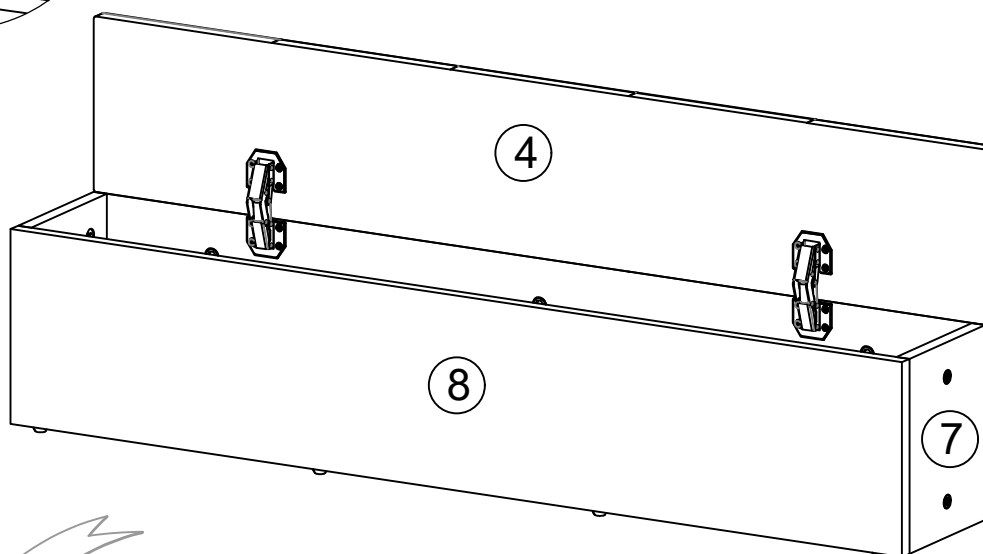
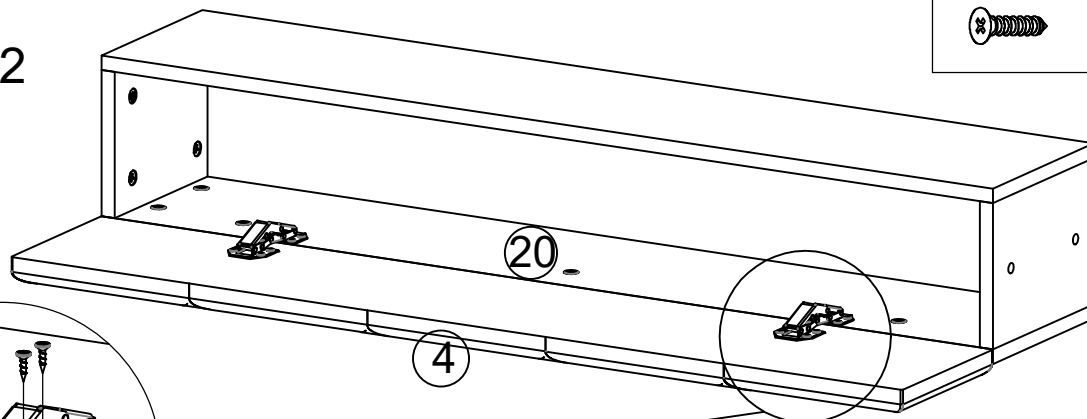
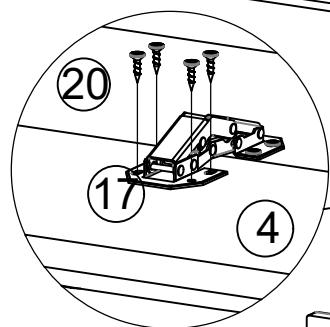


Ⓜ x8

Step:7-2



(H) x 8PCS



Step:8-1

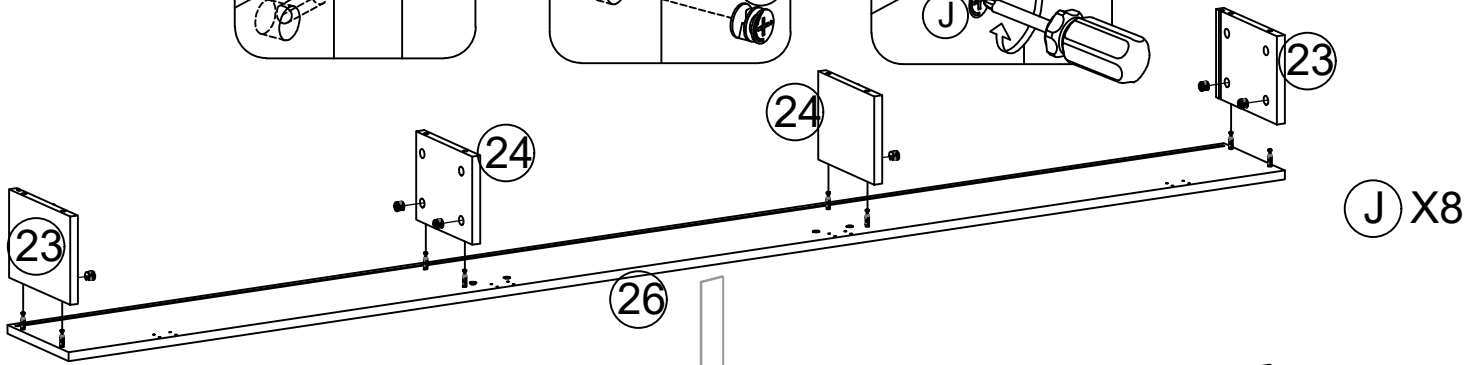
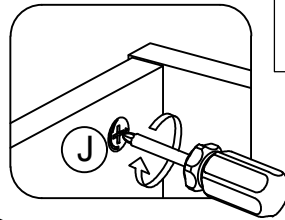
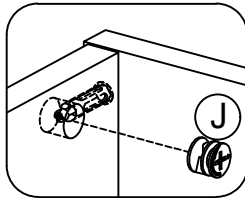
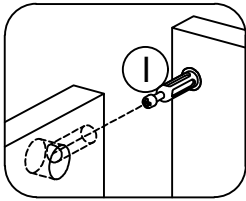
BED TAIL BOX



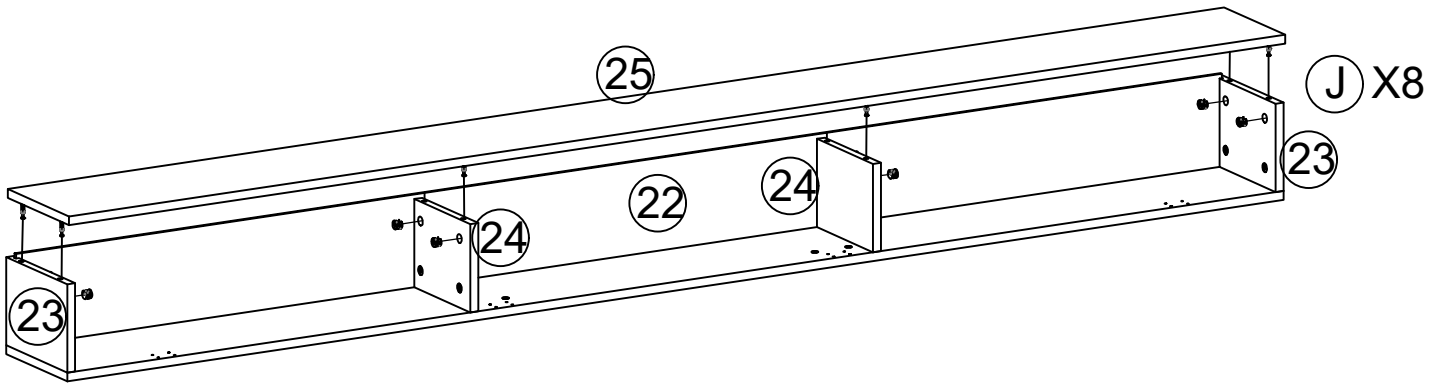
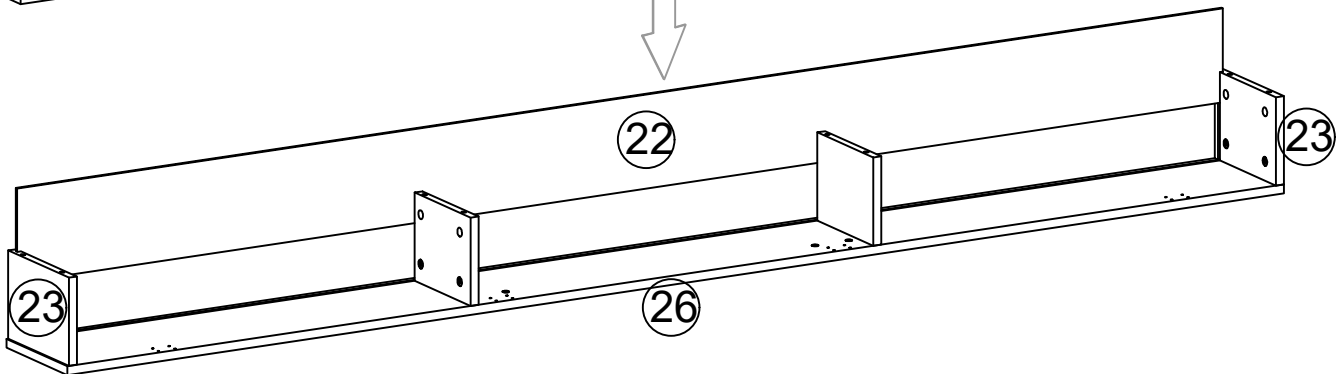
(H) x 16PCS



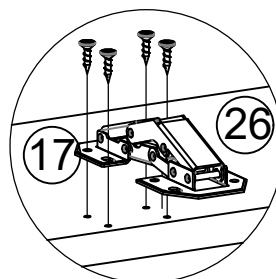
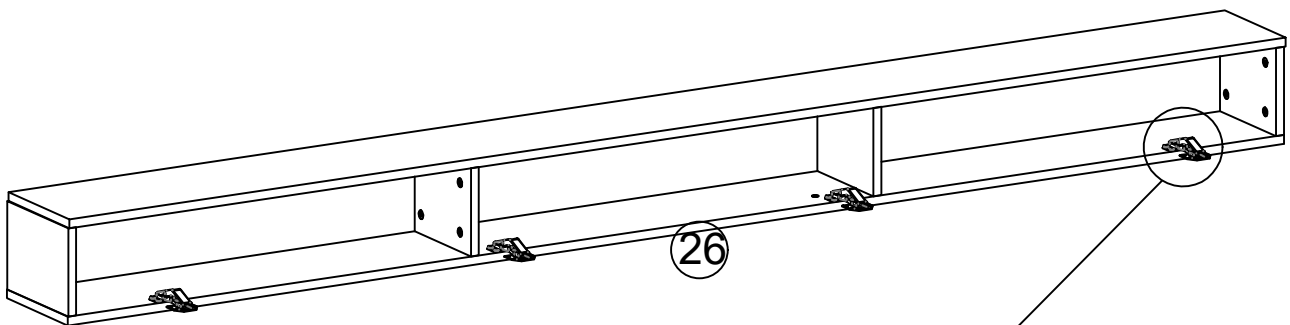
(J) x 16PCS



(J) X8



(J) X8

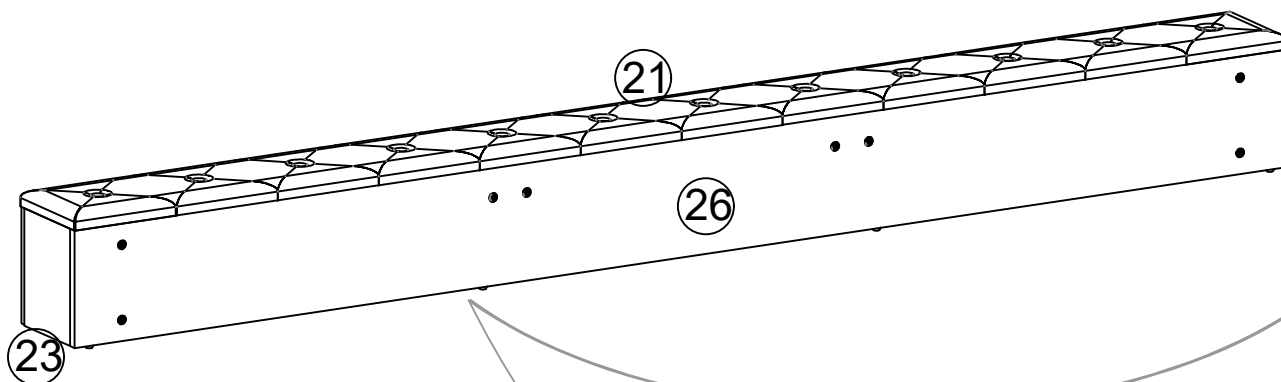
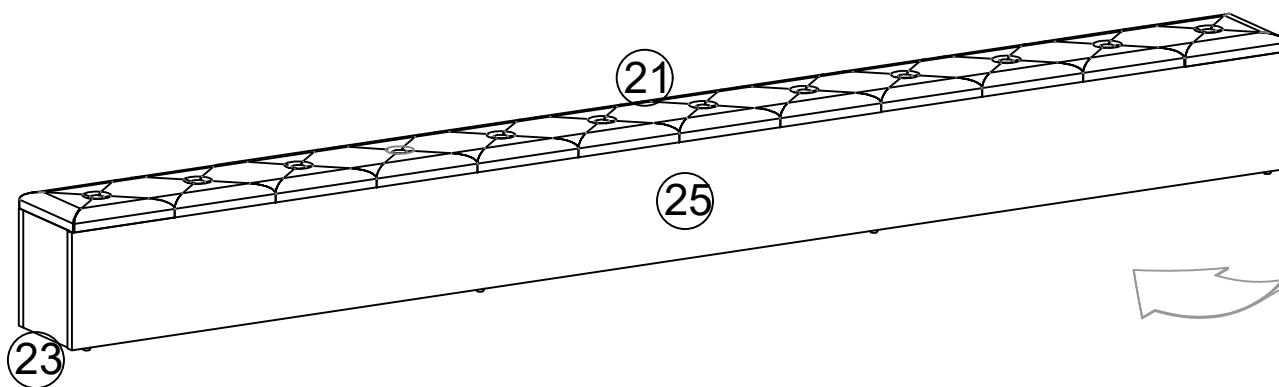
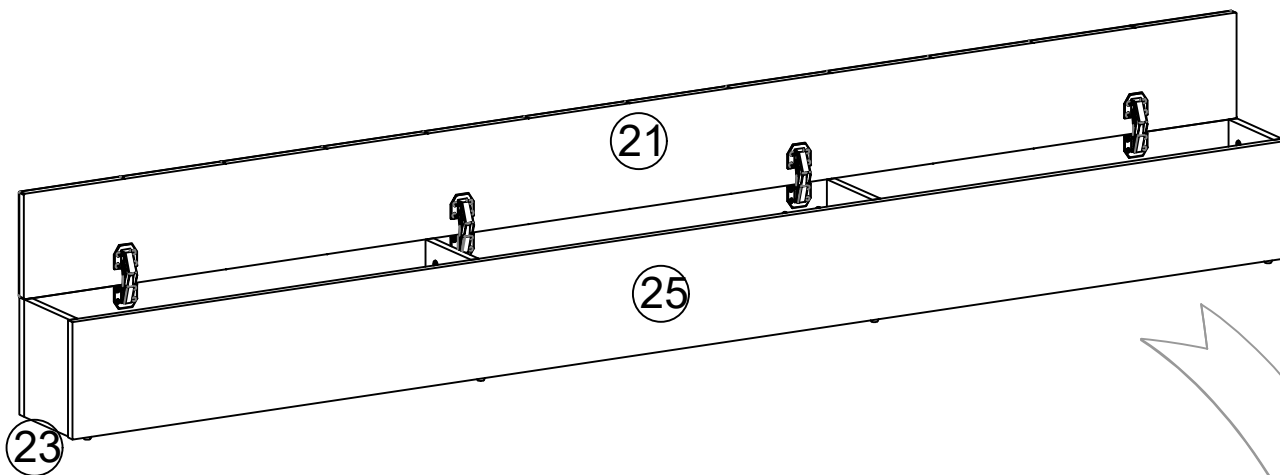
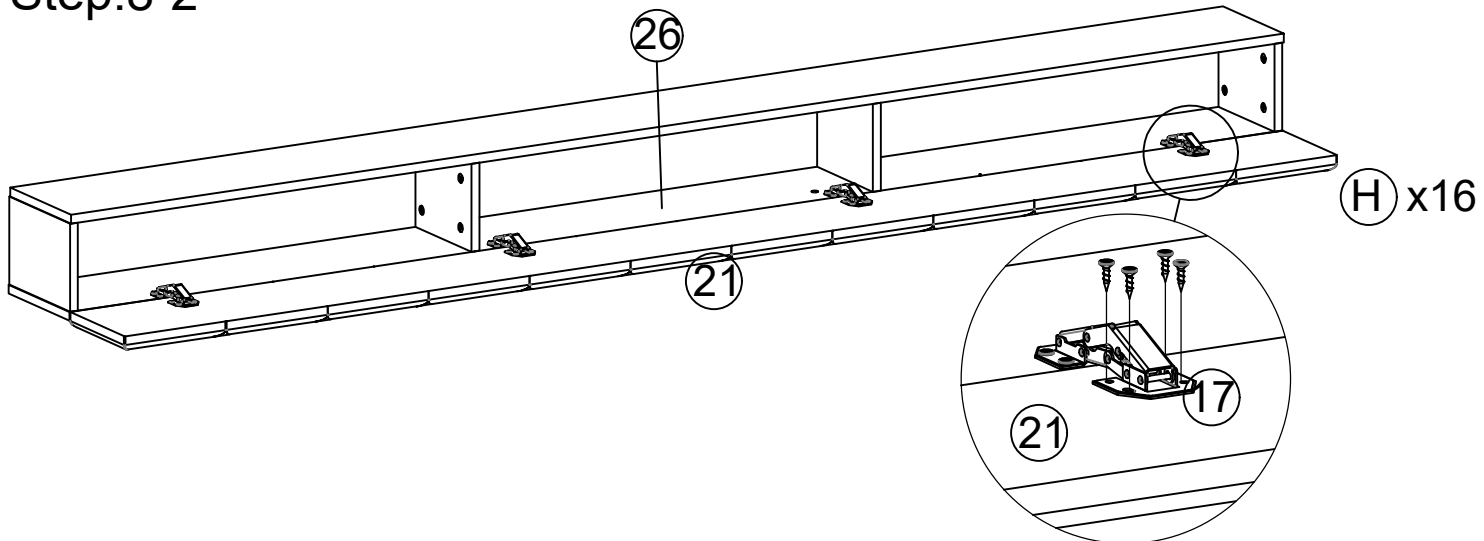


(H) x16

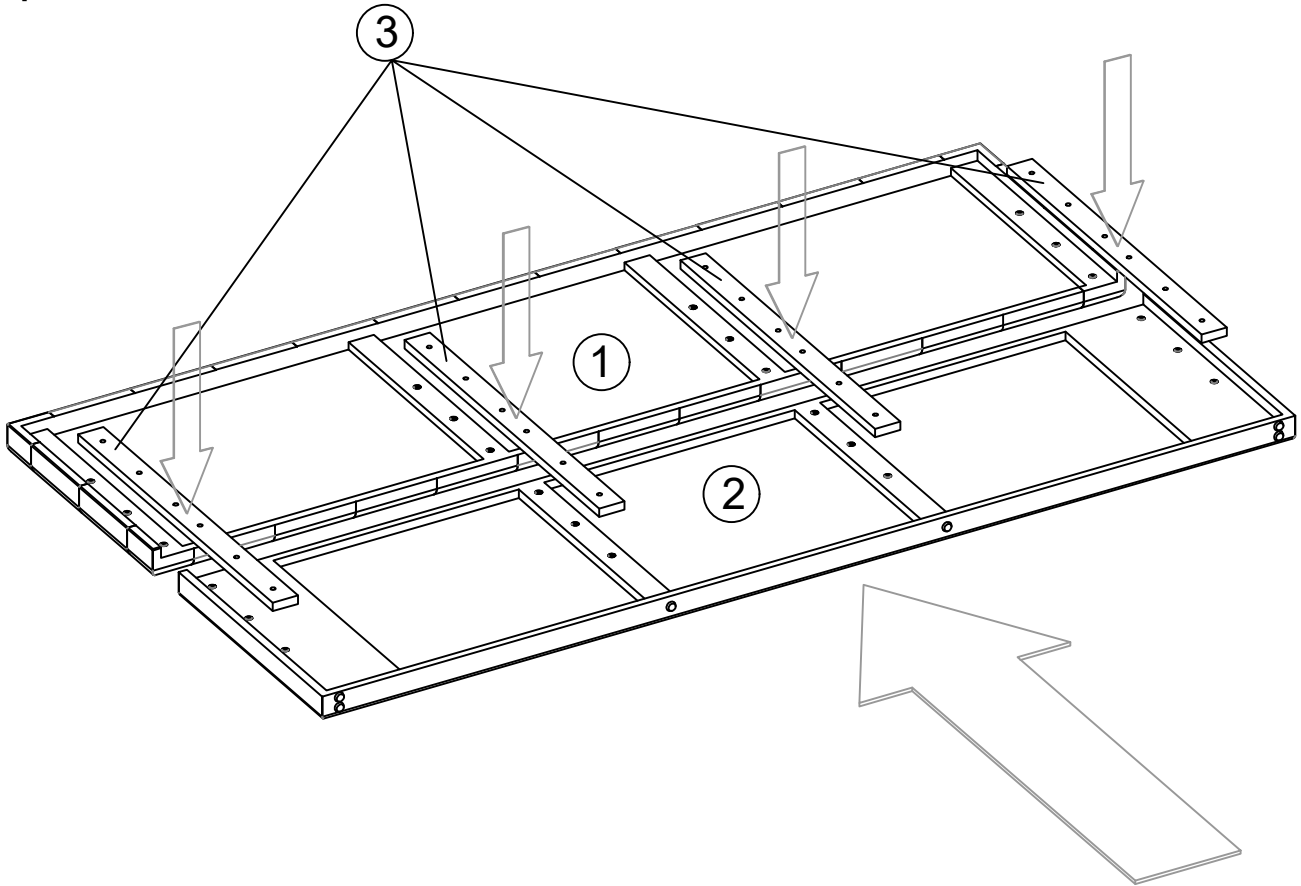
Step:8-2



(H) x 16PCS



Step:9-1



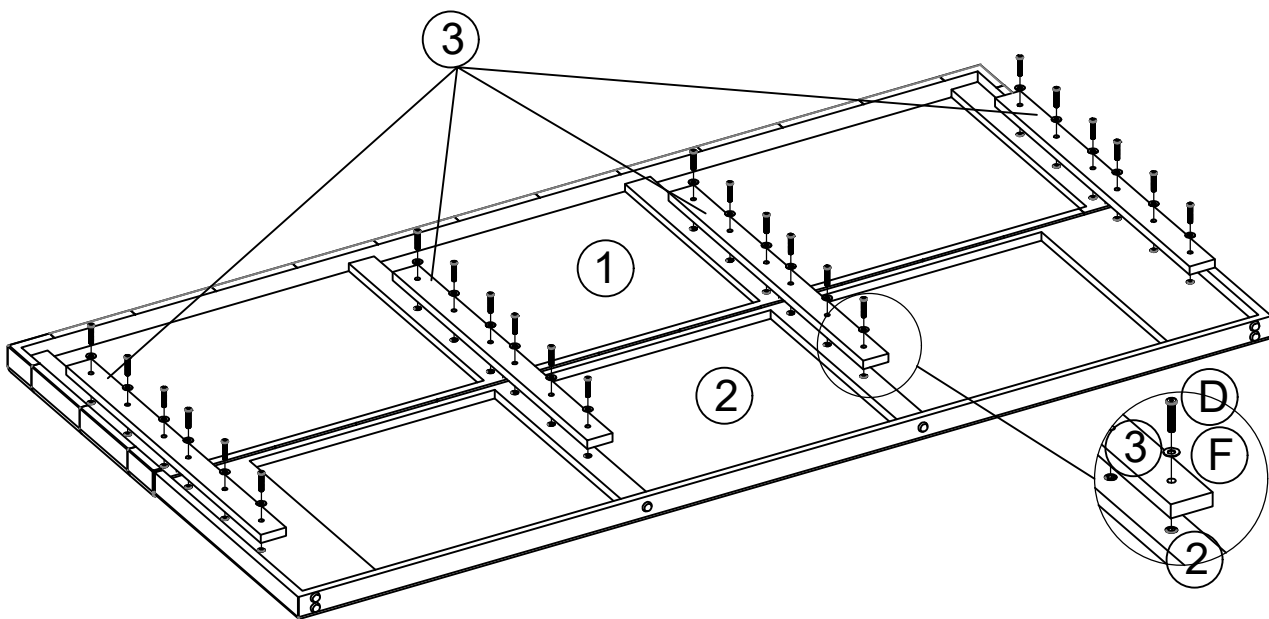
Step:9-2



ⓓ x 24PCS



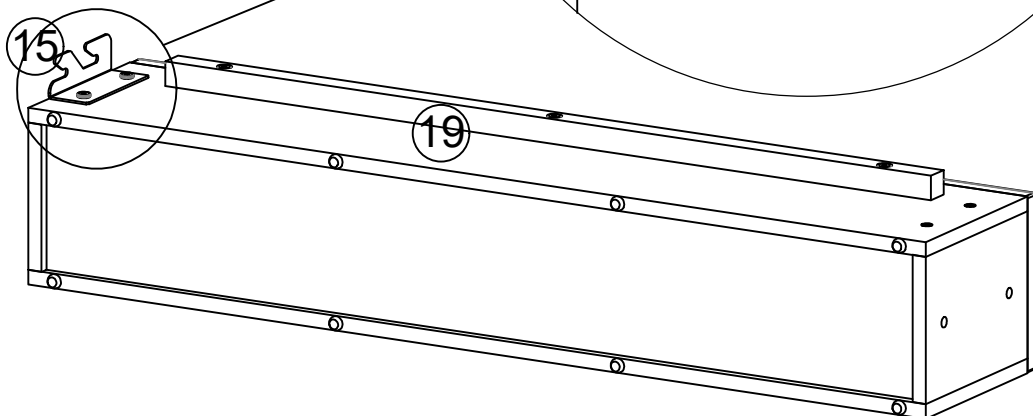
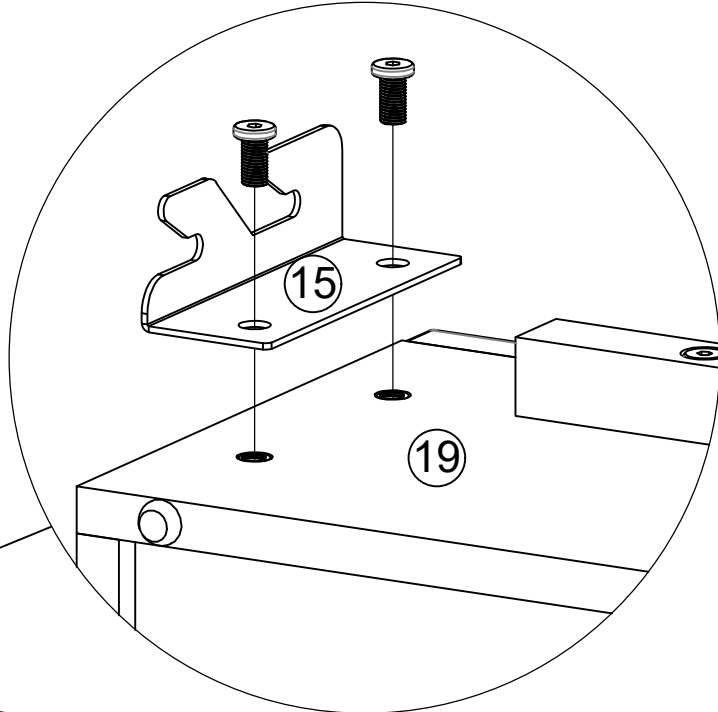
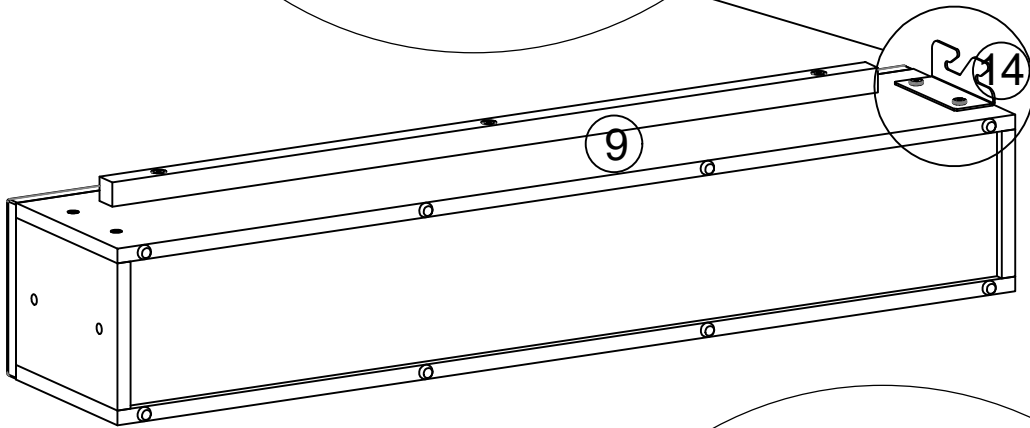
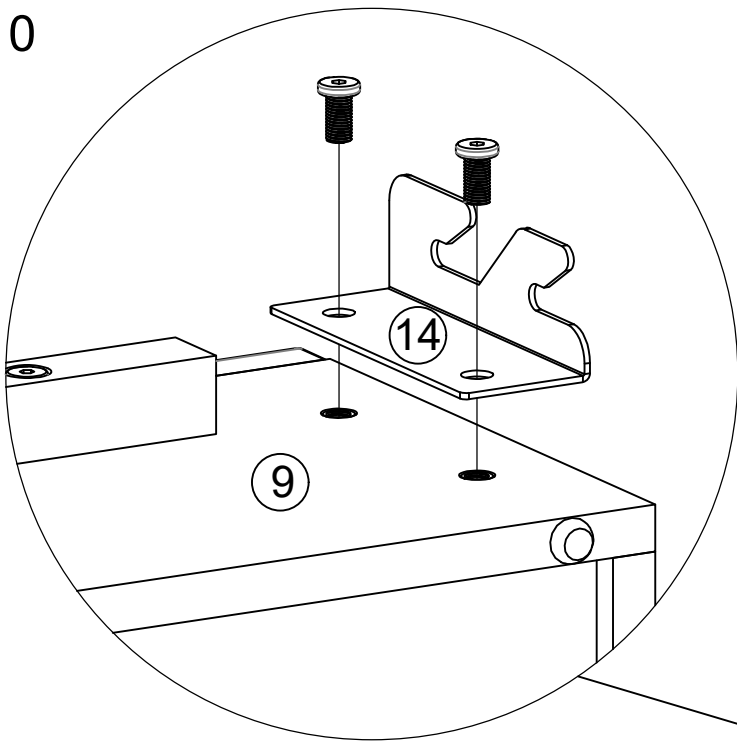
ⓕ x 24PCS



Step:10




(A) x 4PCS

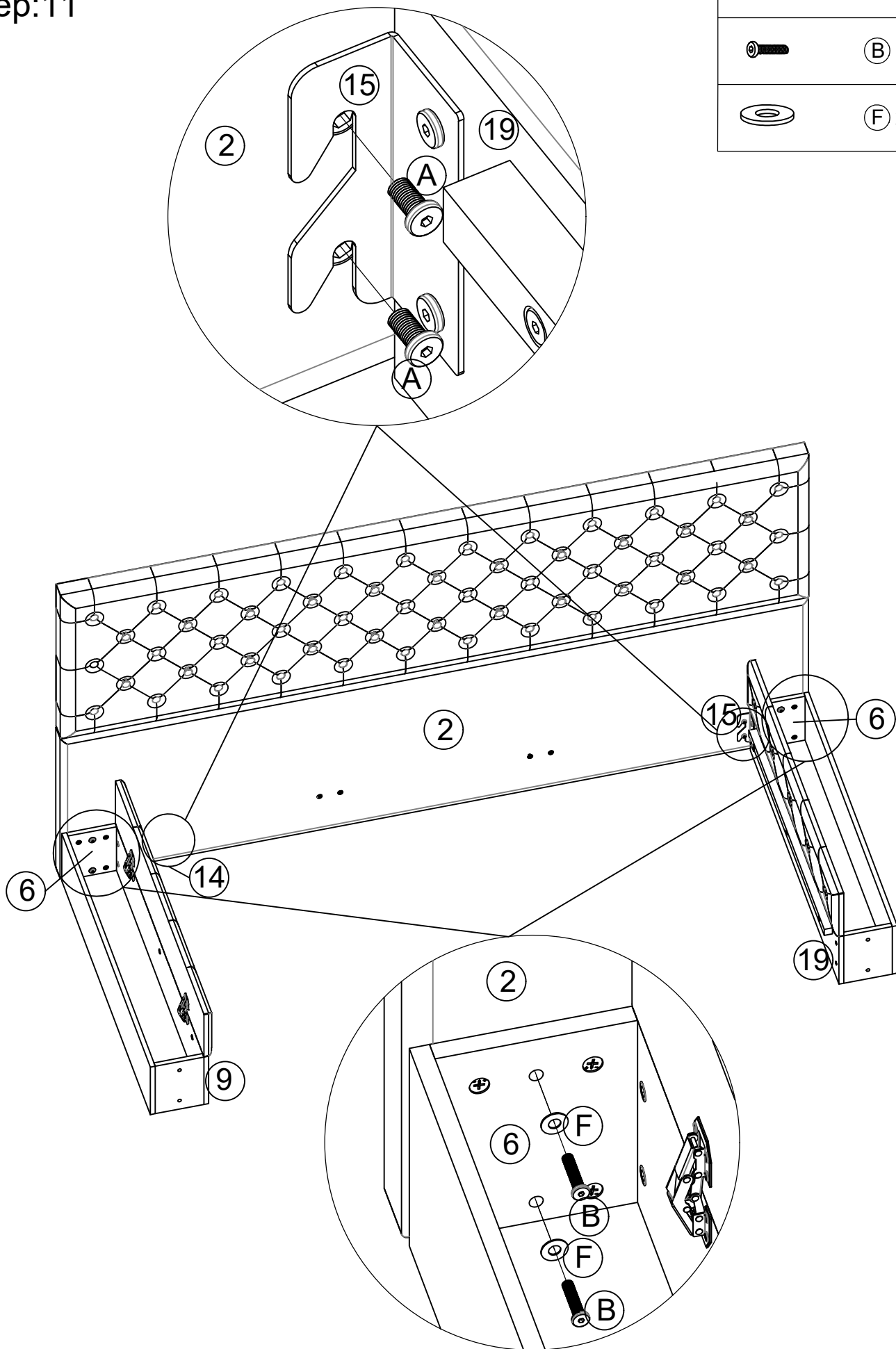


Step:11

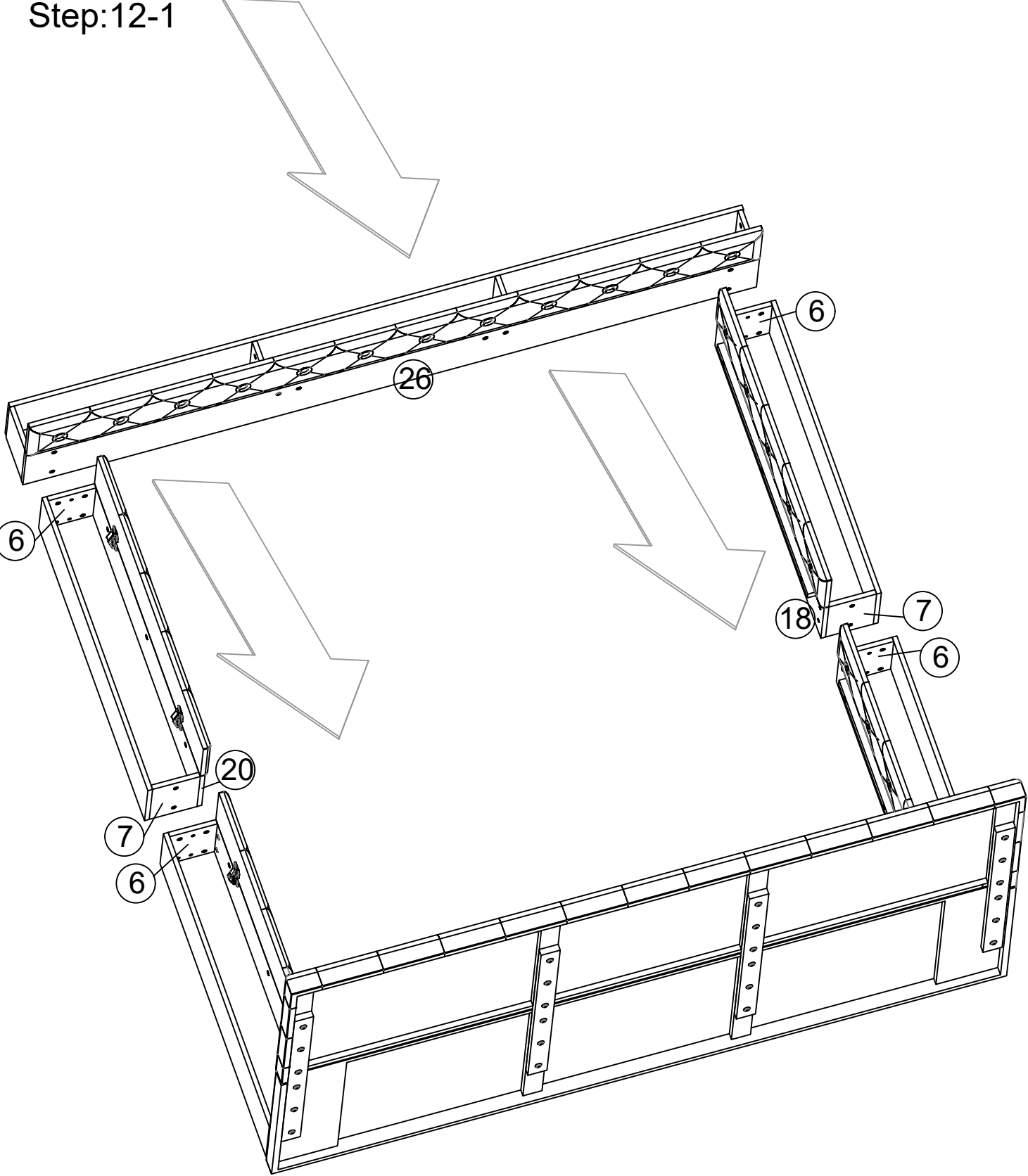
 (A) x 4PCS

 (B) x 4PCS

 (F) x 4PCS



Step:12-1



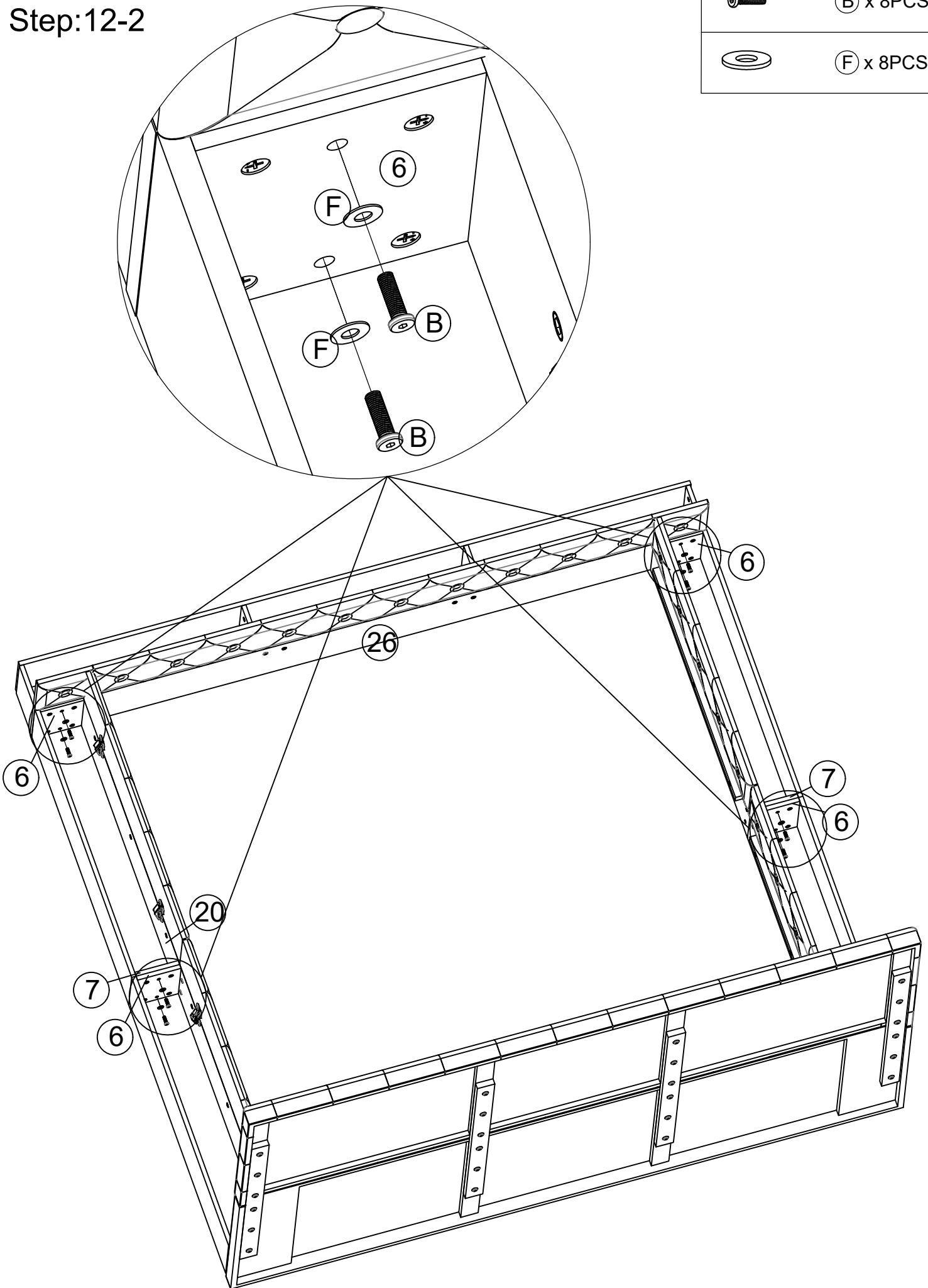
Step:12-2



(B) x 8PCS



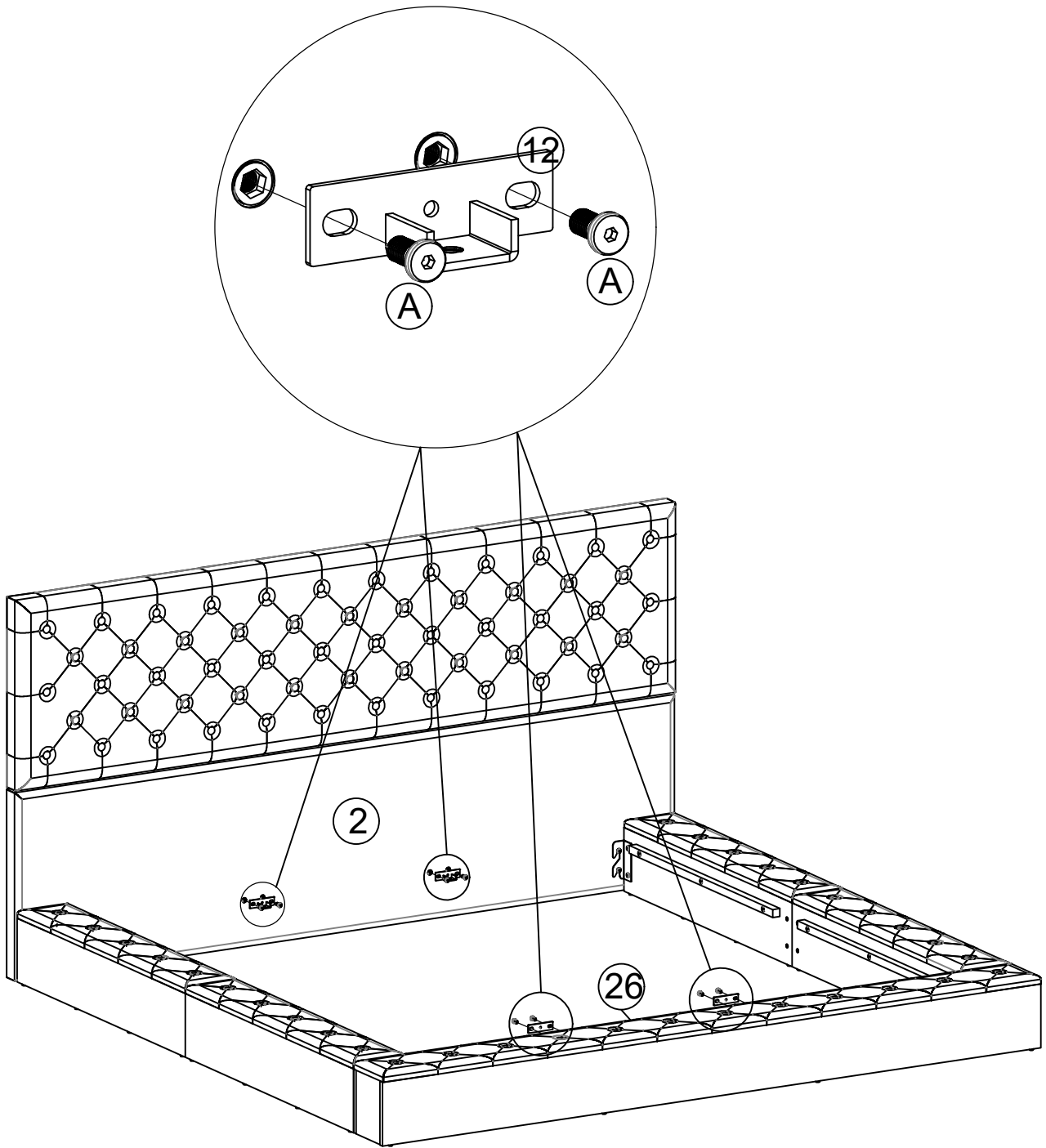
(F) x 8PCS



Step:13



(A) x 8PCS

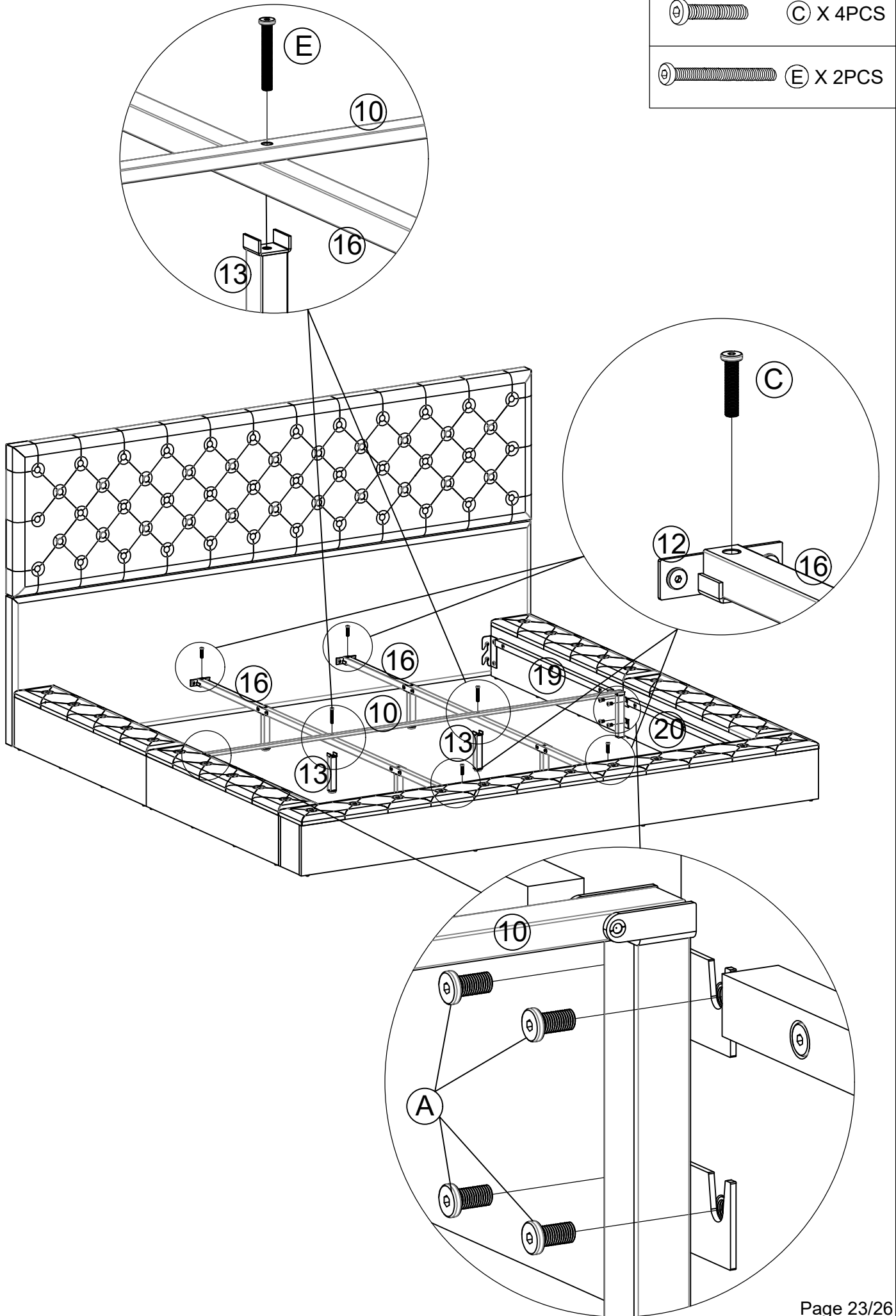


Step:14

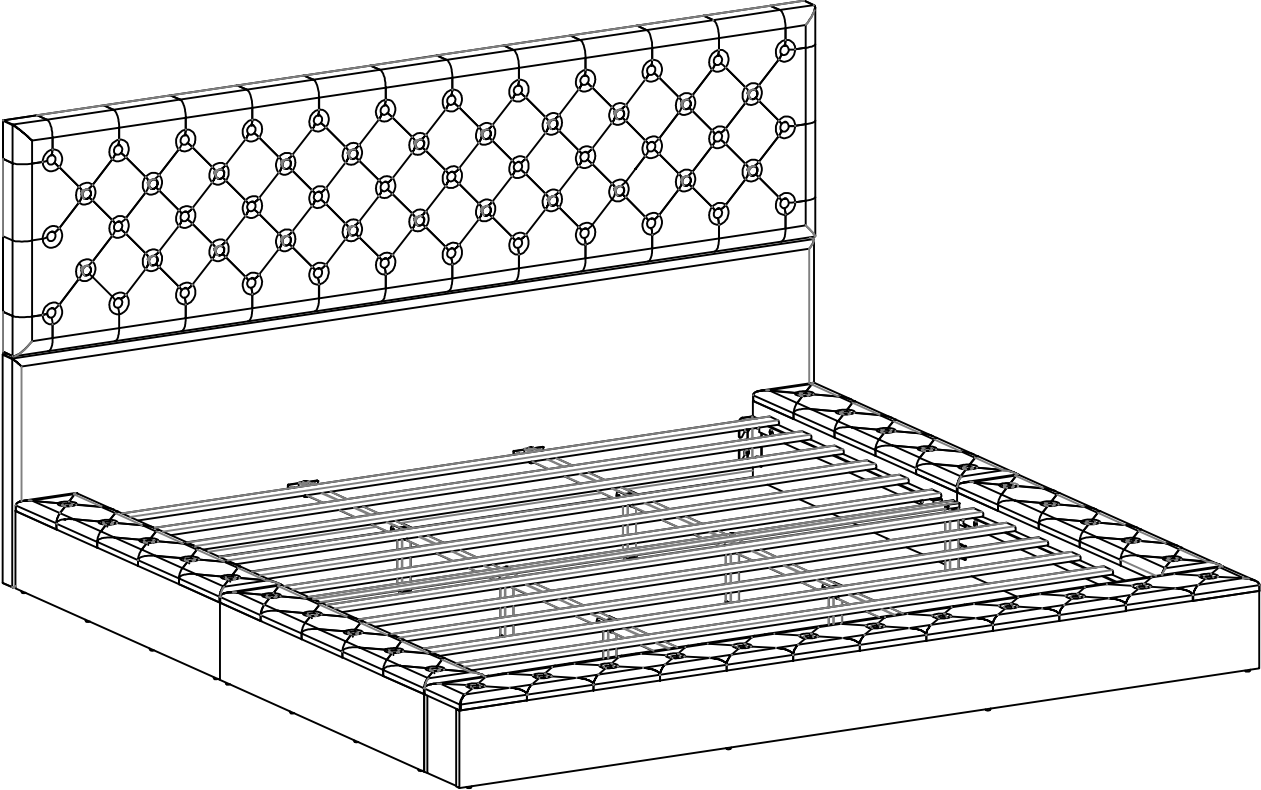
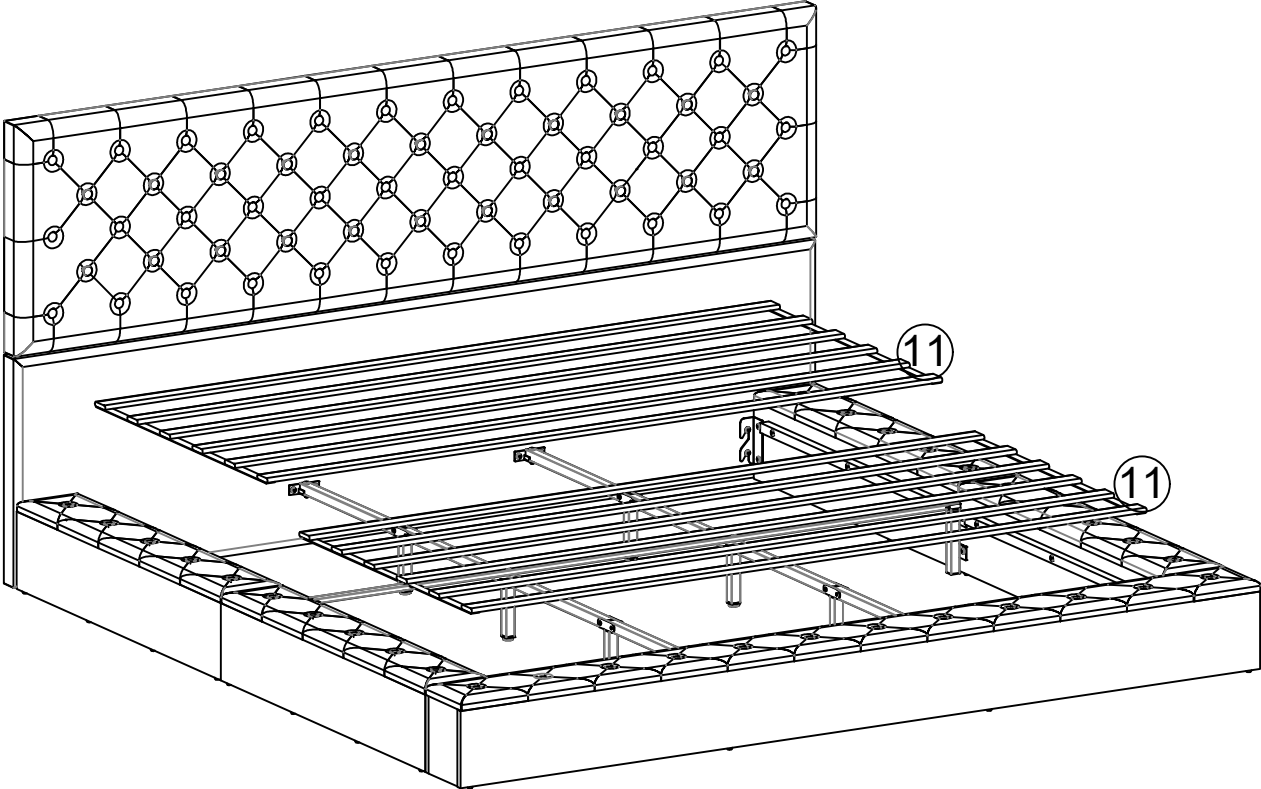
 (A) x 8PCS

 (C) x 4PCS

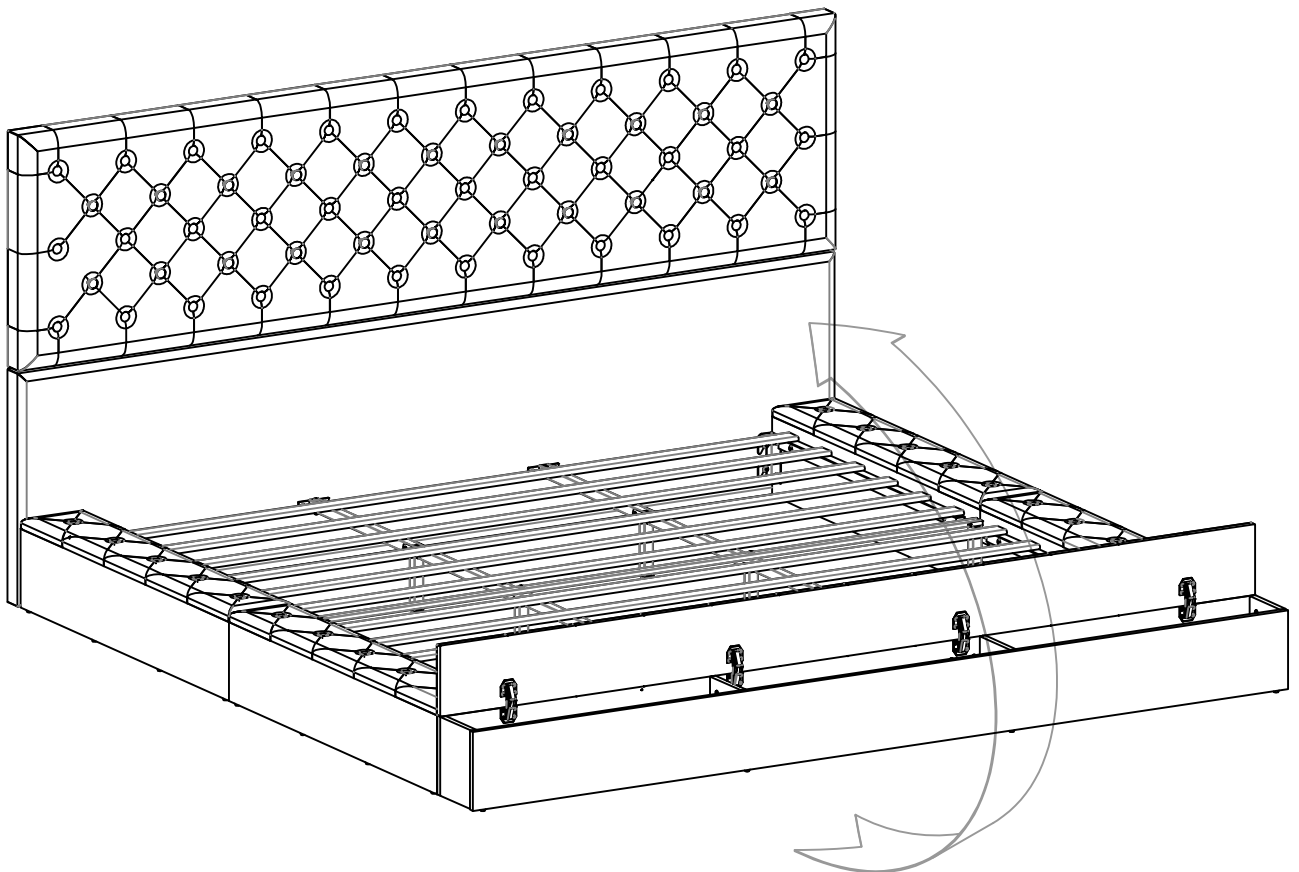
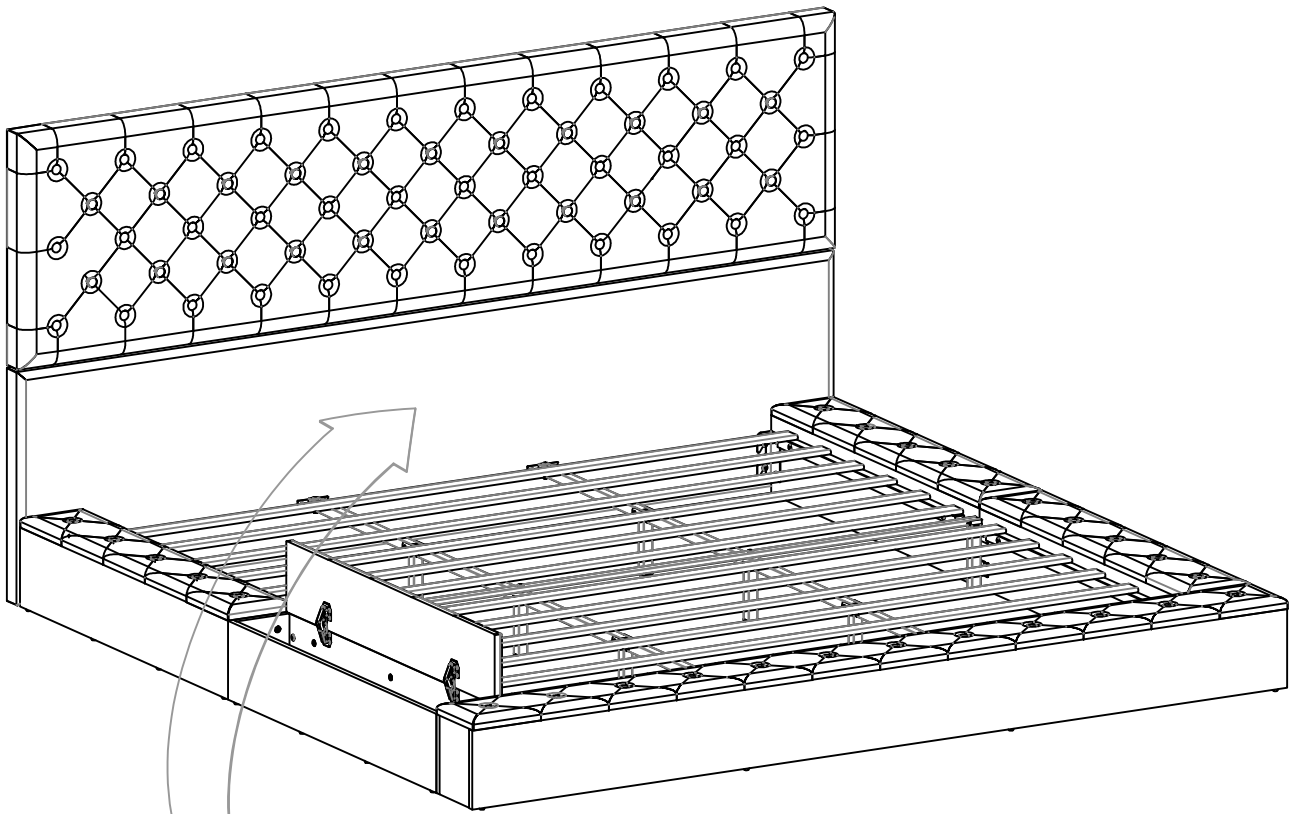
 (E) x 2PCS



Step:15



Step:16



Step:17

