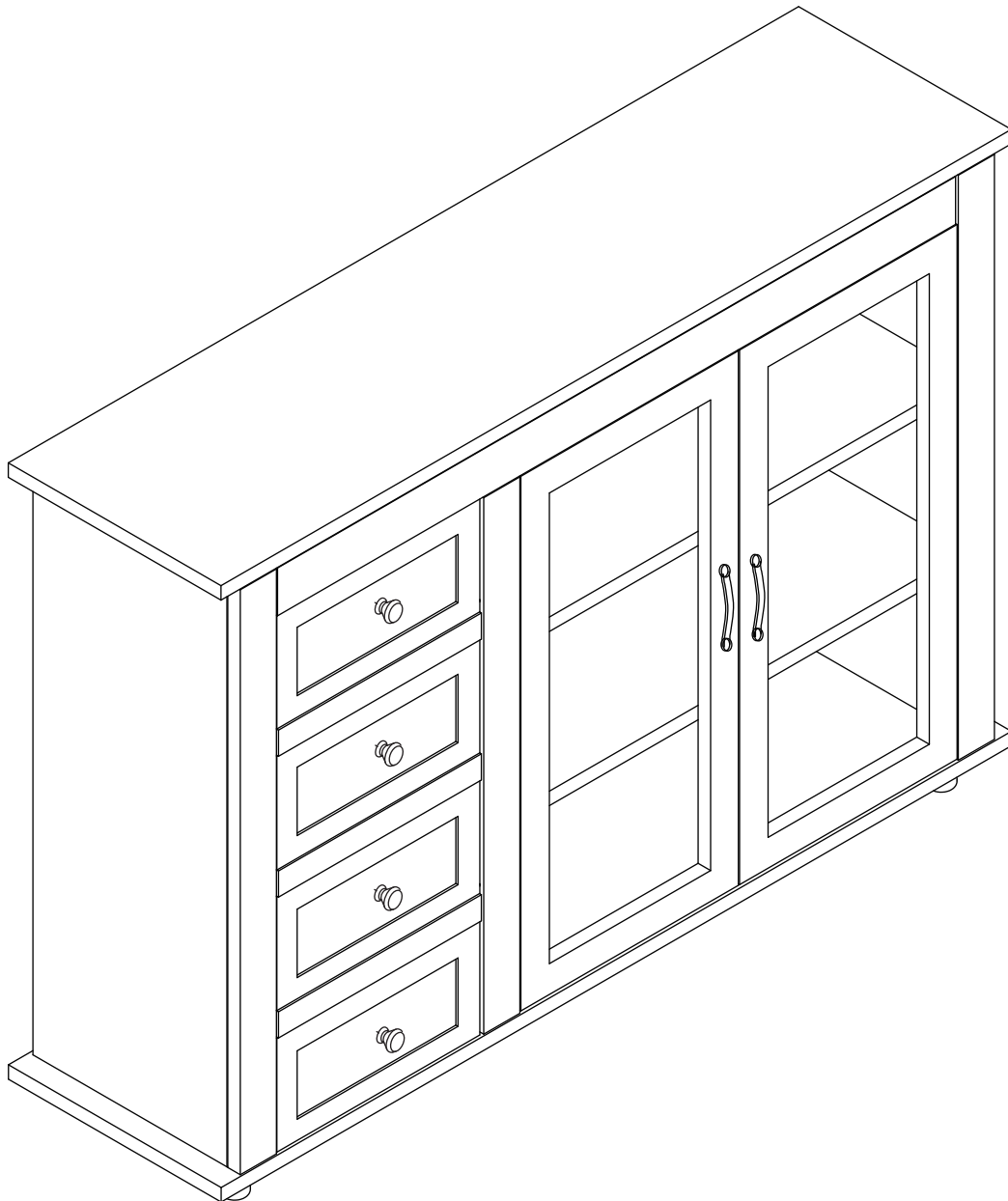
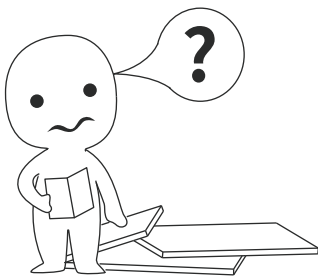


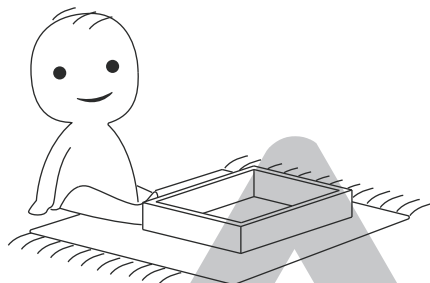
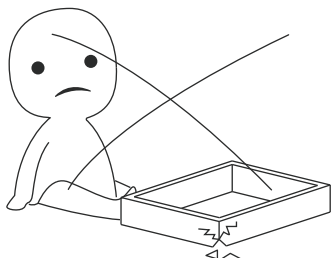
Sideboard





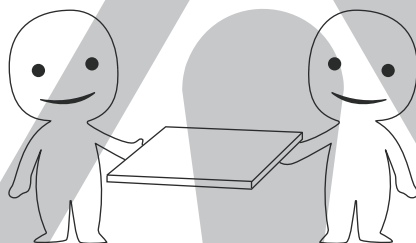
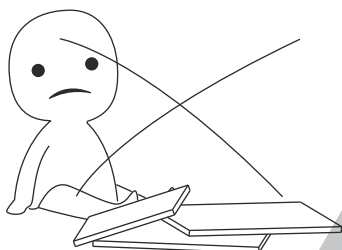
IMPORTANT INFORMATION!

please read the entire manual before starting to assemble and/or using this product. follow the manual thoroughly and keep it for further reference.



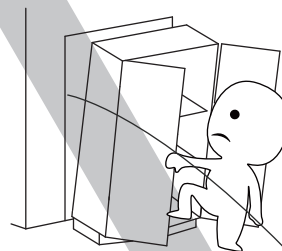
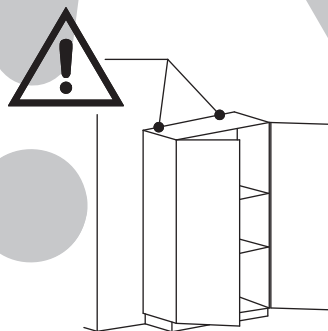
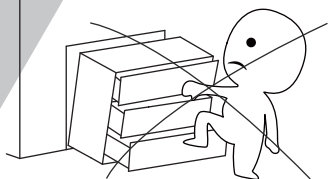
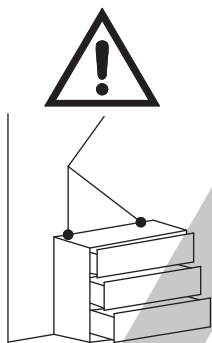
AVOID SCRATCHES!

In order to avoid scratching this furniture should be assembled on a soft layer- could be a rug.



IMPROVE EFFICIENCY !

Try to find a partner to install with you, which can speed up the installation efficiency and shorten the time.



ANTI-TOPPLE WARNING !

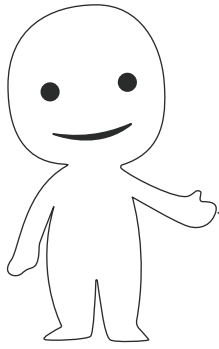
Overturnd furniture can cause serious or fatal crush injuries. To prevent tipping over, be sure to use the wall attachment, if not included with this product. Please purchase the wall attachment that fit your wall. If unsure, seek professional advice. Please read and follow each step of the instructions carefully.

IMPORTANT !

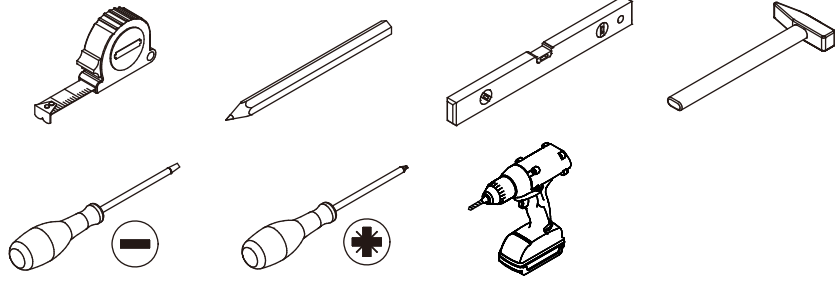
It is important that any product which is assembled using any kind of screw is re-tightened 2 weeks after assembly, and once every 3 months - in order to assure stability through-out the lifespan of the product.

For regular maintenance and cleaning of the product, for the frame, please use a rag dipped in neutral detergent to fully wipe it, and then dry it with a clean rag. For glass materials, wipe with a rag dampened with water glass cleaner, and then dry with a dry rag.

Do not use an electric screwdriver, and do not use too much force when installing, because the board is easy to break.

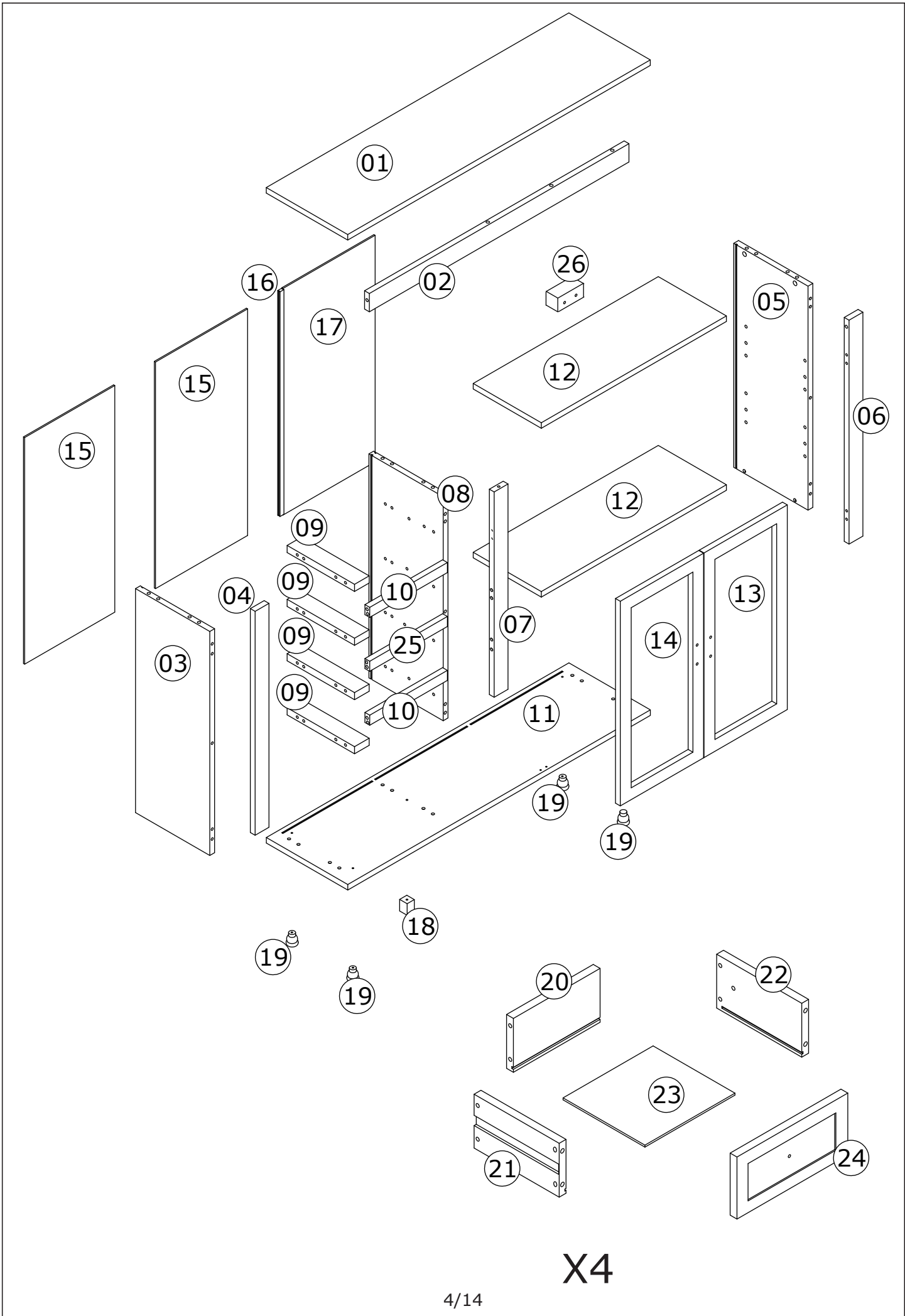


Please prepare the following tools

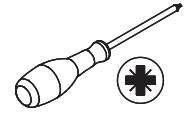
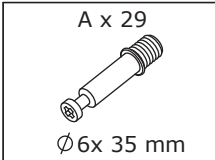


When installing, please carefully confirm whether each screw corresponds to the manual, accessories with similar shapes can be distinguished by size

<p>A x 41</p> <p>Ø6 x 35 mm</p>	<p>B x 41</p> <p>Ø15 x 9 mm</p>	<p>C x 28</p> <p>Ø3 x 12 mm</p>	<p>D x 4</p> <p>Ø3 x 14 mm</p>	<p>E x 4</p> <p>Ø4 x 16 mm</p>
<p>F x 36</p> <p>Ø4 x 30 mm</p>	<p>G x 4</p> <p>Ø4 x 6 mm</p>	<p>H x 37</p> <p>Ø6 x 30 mm</p>	<p>J x 4</p>	<p>K x 2</p>
<p>L x 4</p>	<p>M x 12</p>	<p>N x 4</p>	<p>P x 2</p> <p>Ø4 x 40 mm</p>	<p>Q x 2</p>
<p>R x 4</p>	<p>S x 2</p>	<p>T x 4</p>	<p>U x 8</p>	<p>V x 2</p>
<p>W x 2</p> <p>Ø6 x 30 mm</p>	<p>X x 12</p> <p>Ø3 x 16 mm</p>			



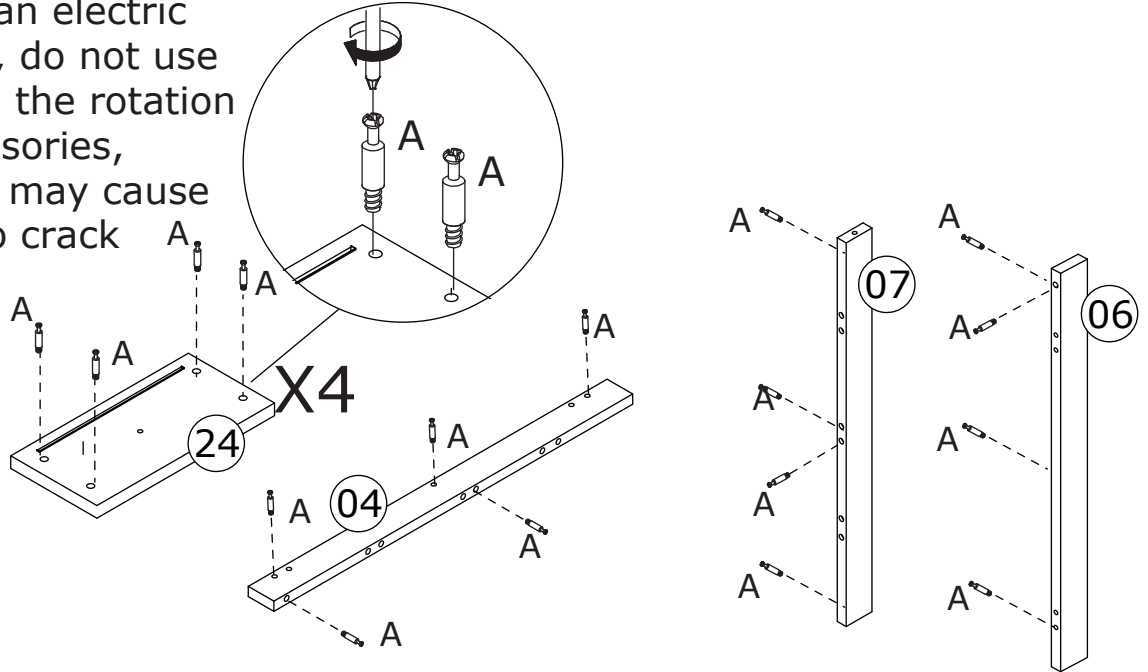
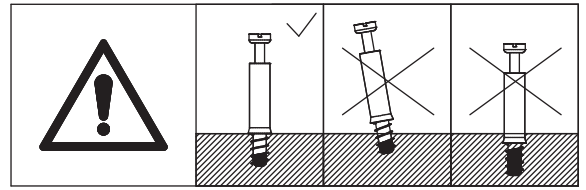
1



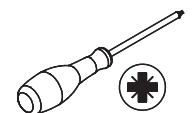
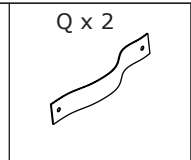
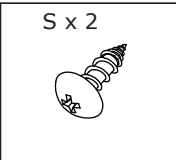
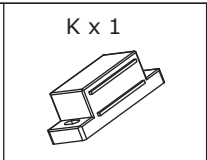
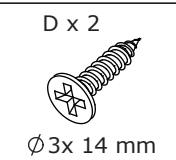
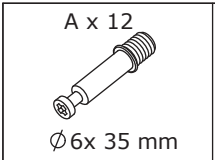
Insert quickfit screw(A) to part 4, 6, 7 and 24 as shown.

Please pay attention to the holes where the accessories are inserted.

Do not use an electric screwdriver, do not use force during the rotation of the accessories, otherwise it may cause the board to crack



2

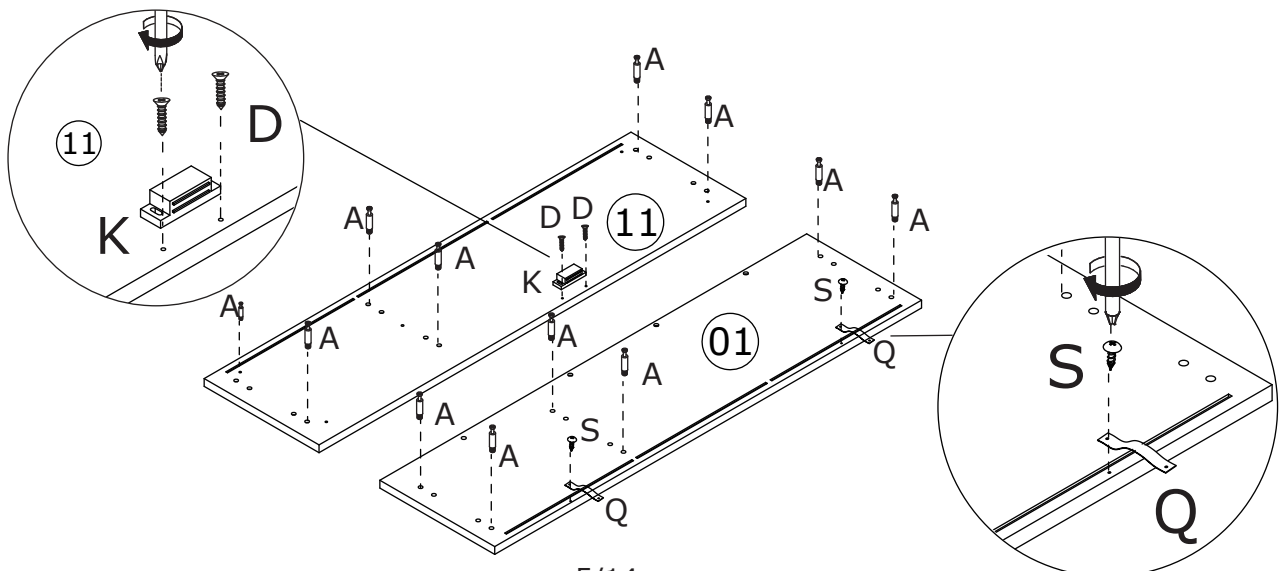
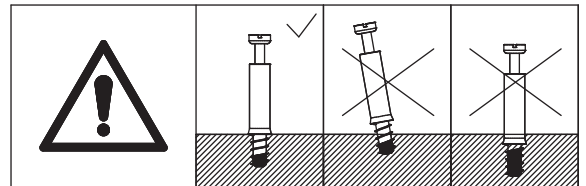


Fix part(K) to part 11 with screw(D) as shown.

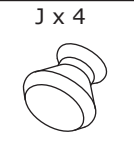
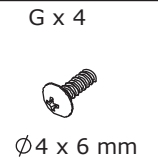
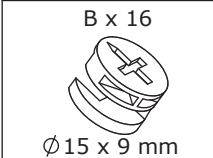
Fix anti-dump belt(Q) to part 1 with screw(S) as shown.

Insert quickfit screw(A) to part 1 and 11 as shown.

Please pay attention to the holes where the accessories are inserted.



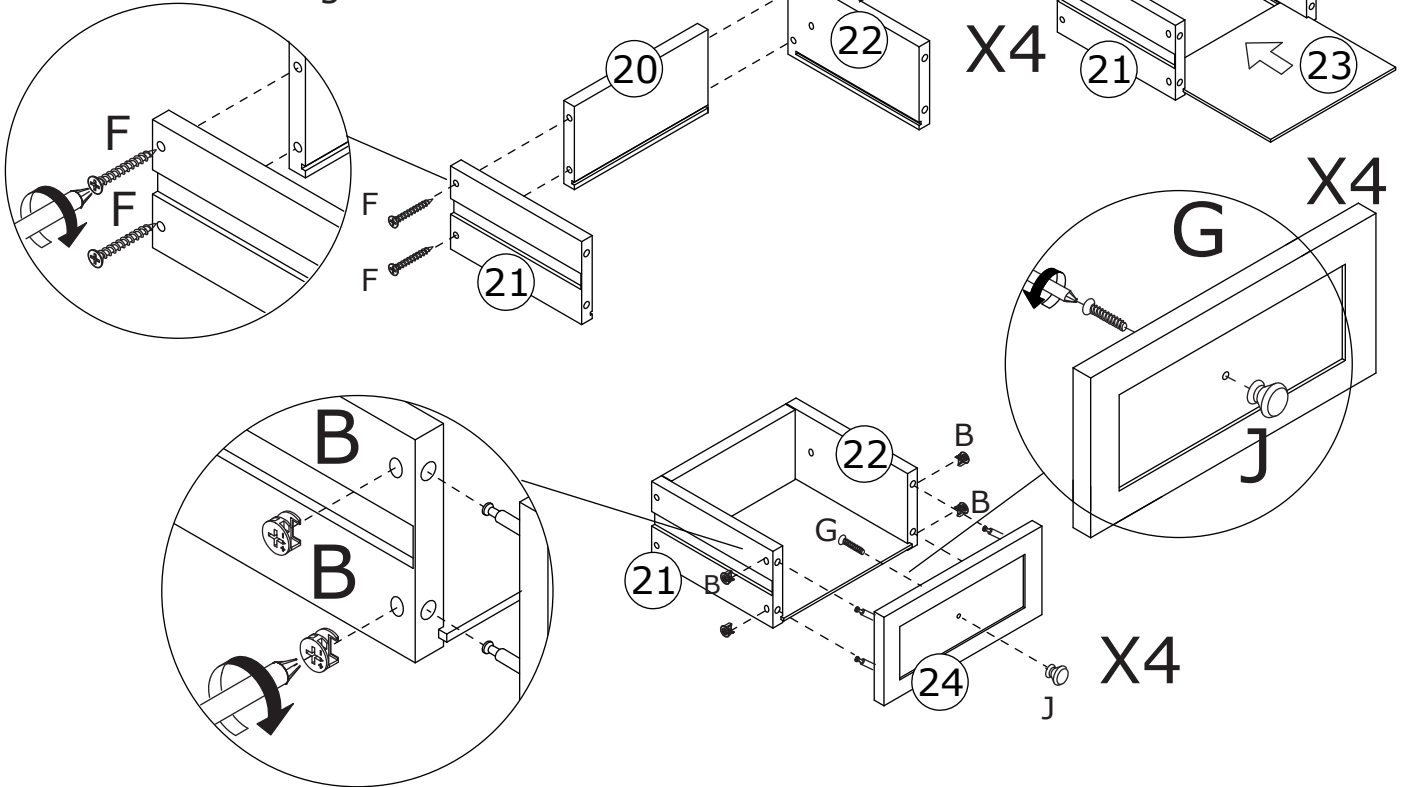
3



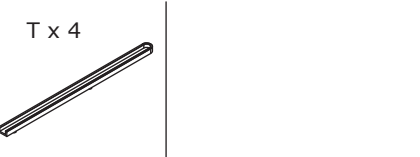
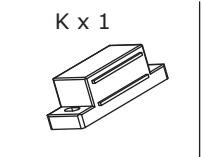
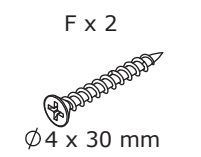
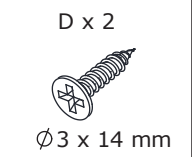
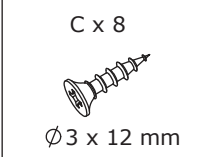
Attach part 21 and 22 to part 20 with screw(F) as shown.

Insert part 23 into available slots as shown.

Fix handle(J) to part 24 with screw(G), and attach part 24 to the component, turn cam locks(B) clockwise to tighten as shown.



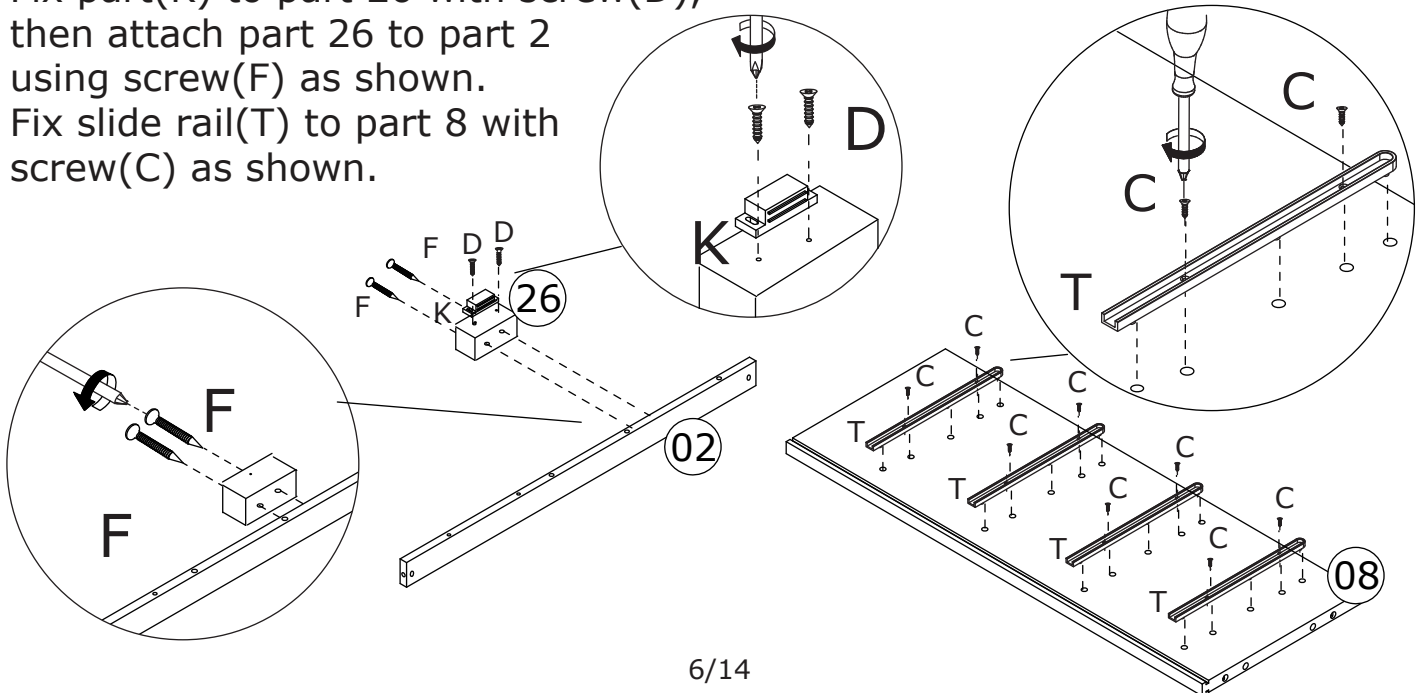
4



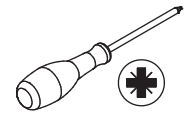
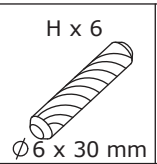
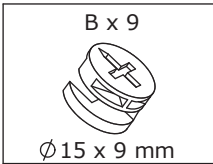
Fix part(K) to part 26 with screw(D),

then attach part 26 to part 2 using screw(F) as shown.

Fix slide rail(T) to part 8 with screw(C) as shown.



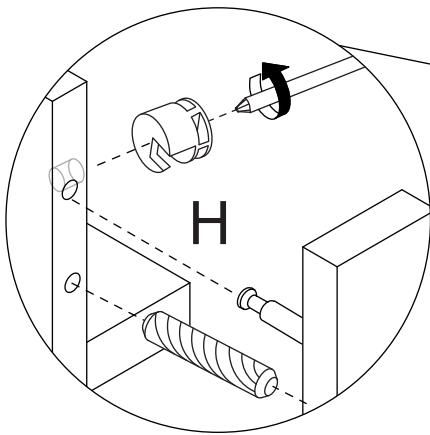
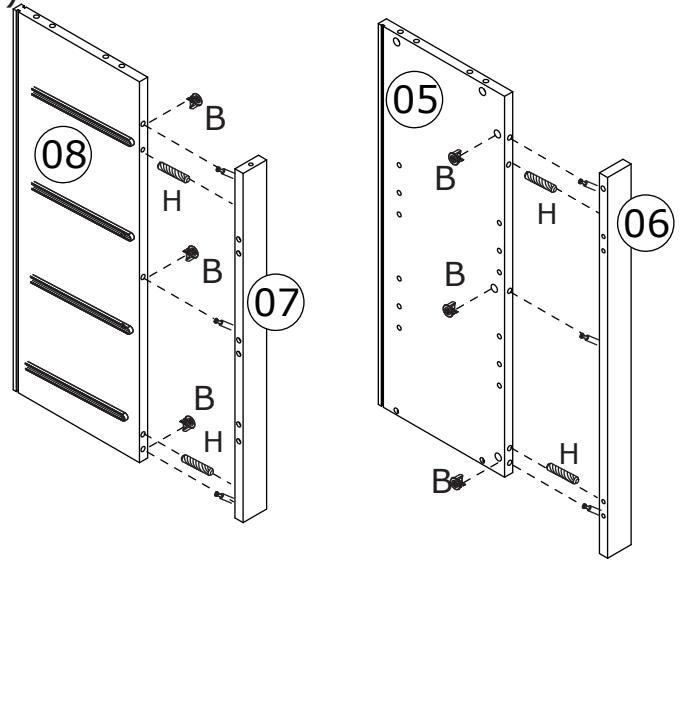
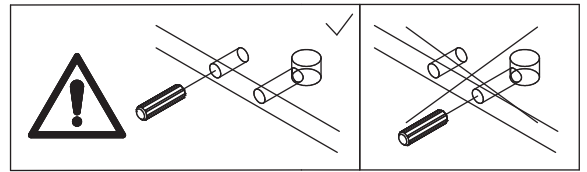
5



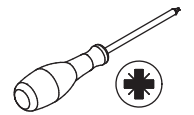
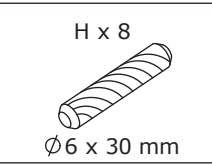
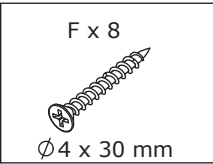
Connect part 4 with part 3 using wooden dowel(H) at first and turn cam locks(B) clockwise to tighten as shown.

Connect part 7 with part 8 using wooden dowel(H) at first and turn cam locks(B) clockwise to tighten as shown.

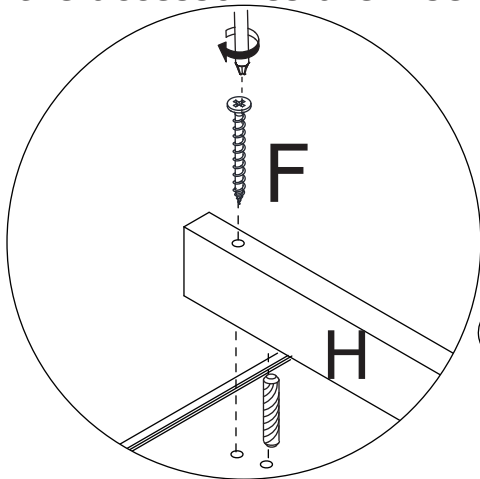
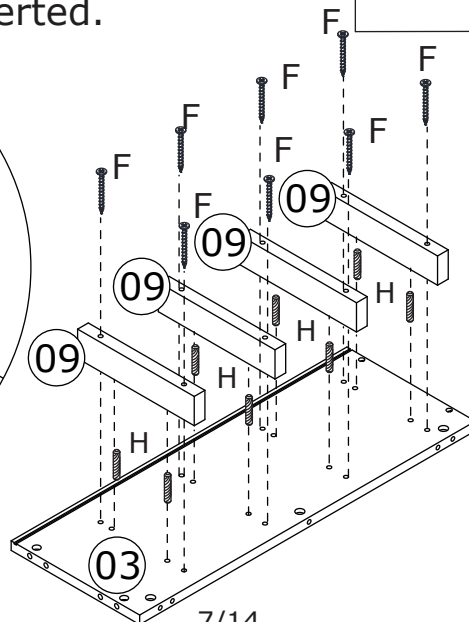
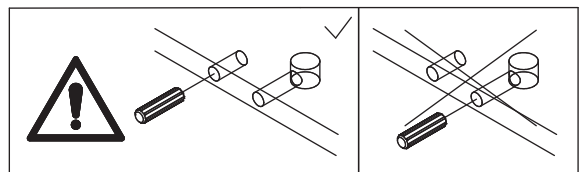
Connect part 6 with part 5 using wooden dowel(H) at first and turn cam locks(B) clockwise to tighten as shown.



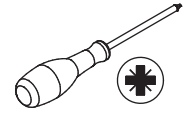
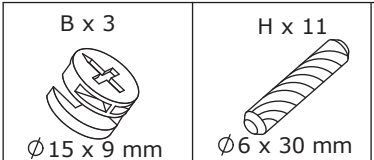
6



Connect part 9 with part 3 using wooden dowel(H) at first and screw(F) as shown. Please pay attention to the holes where the accessories are inserted.



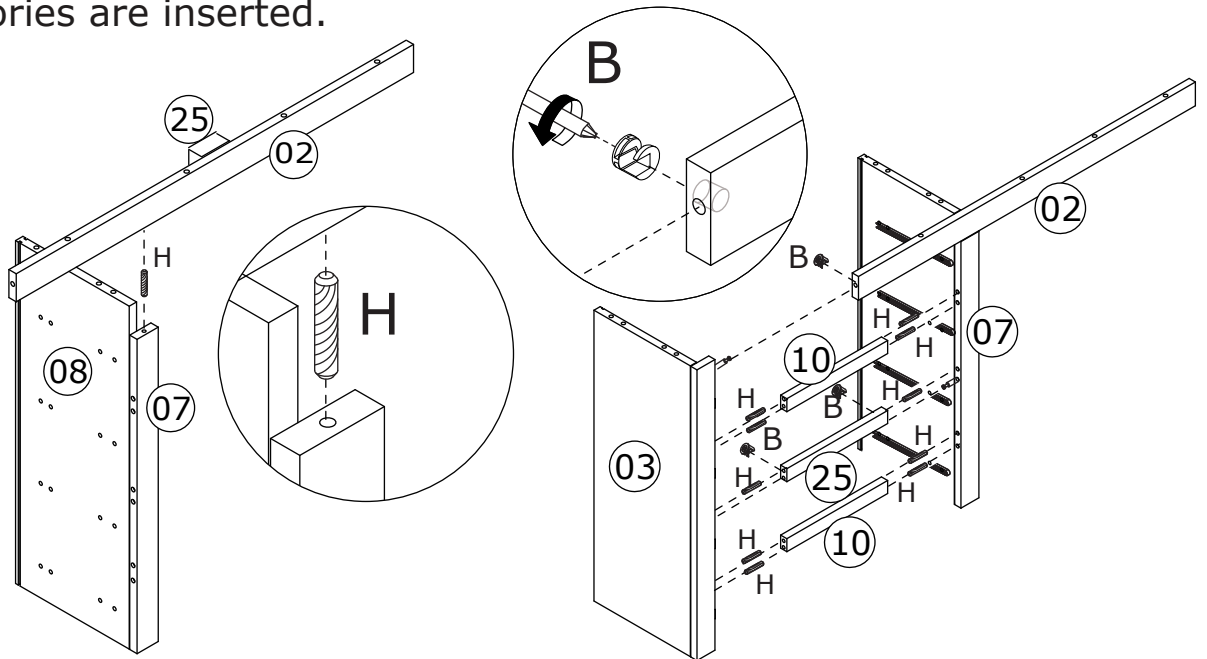
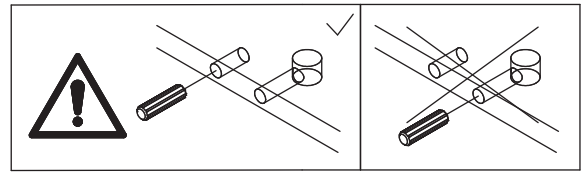
7



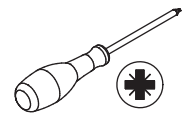
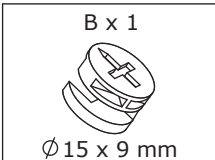
Connect part 2 with part 7 using wooden dowel(H) as shown.

Connect part 10 and 25 with part 3 and 7 using wooden dowel(H) at first and turn cam locks(B) clockwise to tighten as shown.

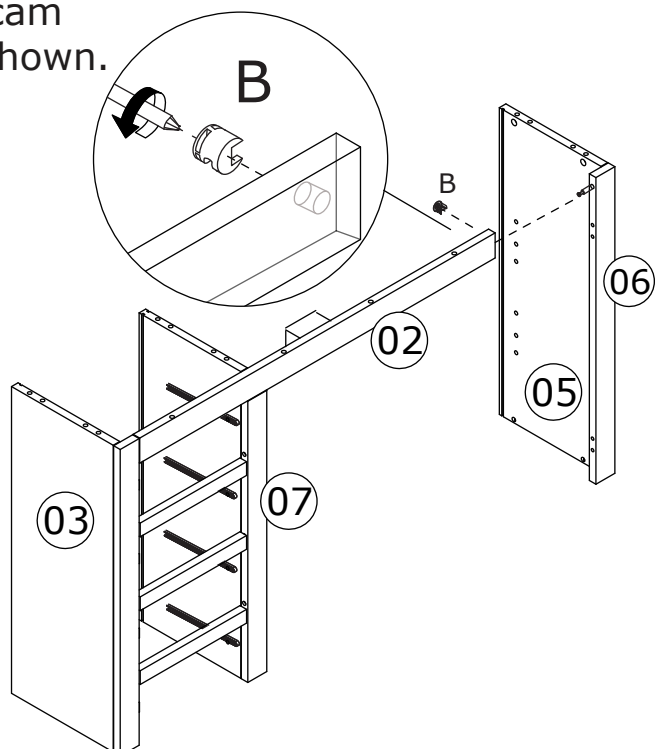
Please pay attention to the holes where the accessories are inserted.



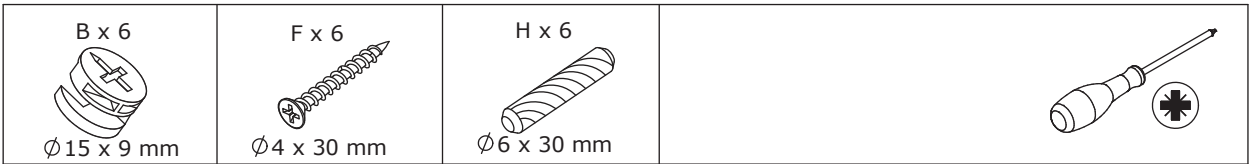
8



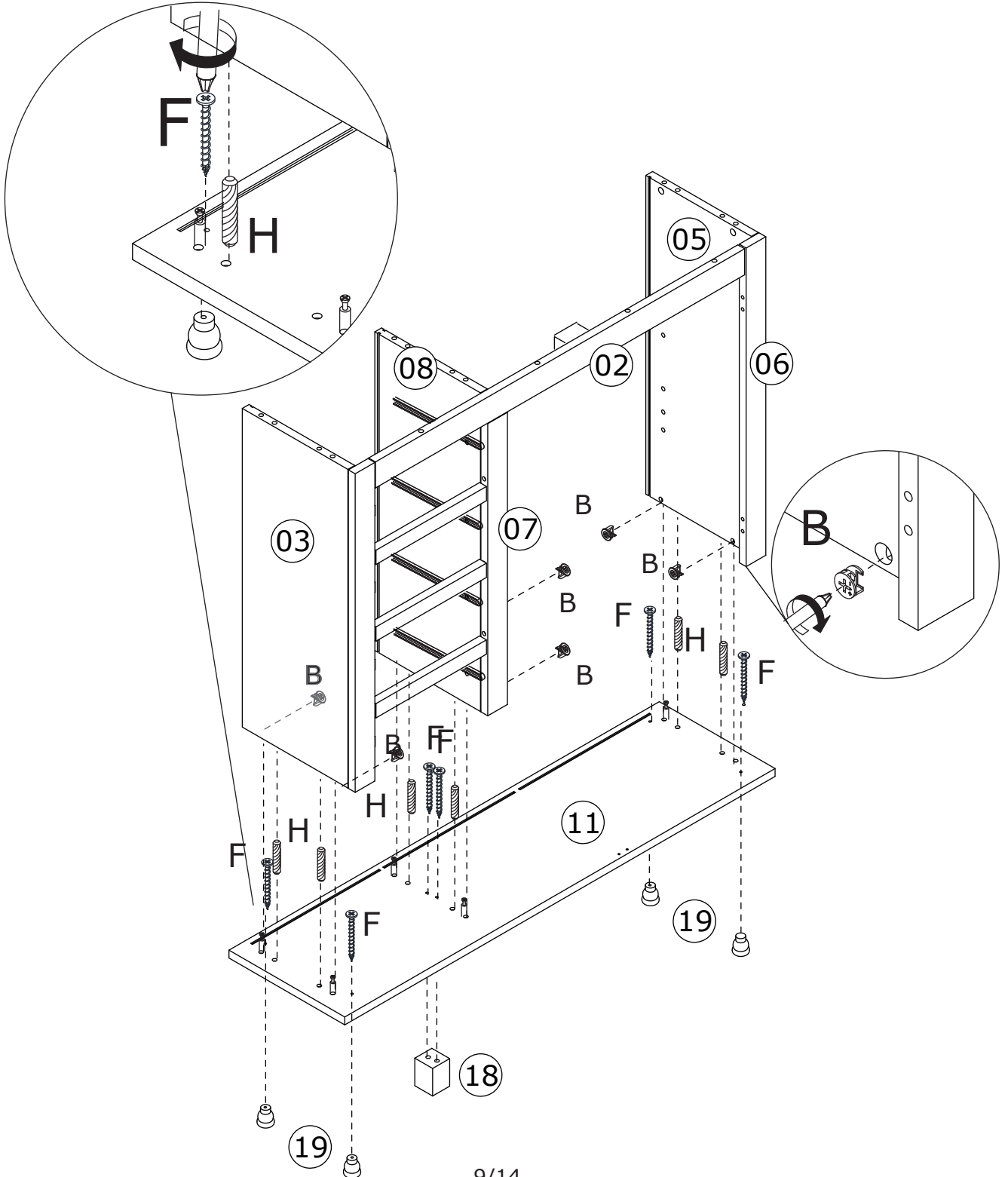
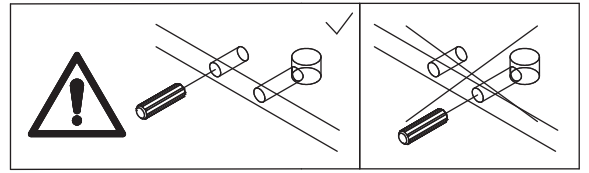
Connect part 6 with part 2, turn cam locks(B) clockwise to tighten as shown.



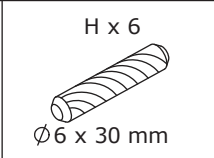
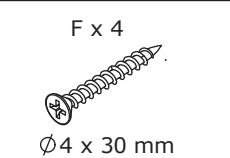
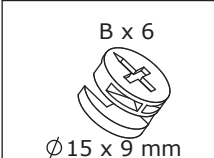
9



Fix leg 19 and leg support 18 to part 11 with screw(F) as shown.
Attach part 11 to part 3, 7, 5 with wooden dowel(H) at first and turn cam locks(B) clockwise to tighten as shown.
Please pay attention to the holes where the accessories are inserted.

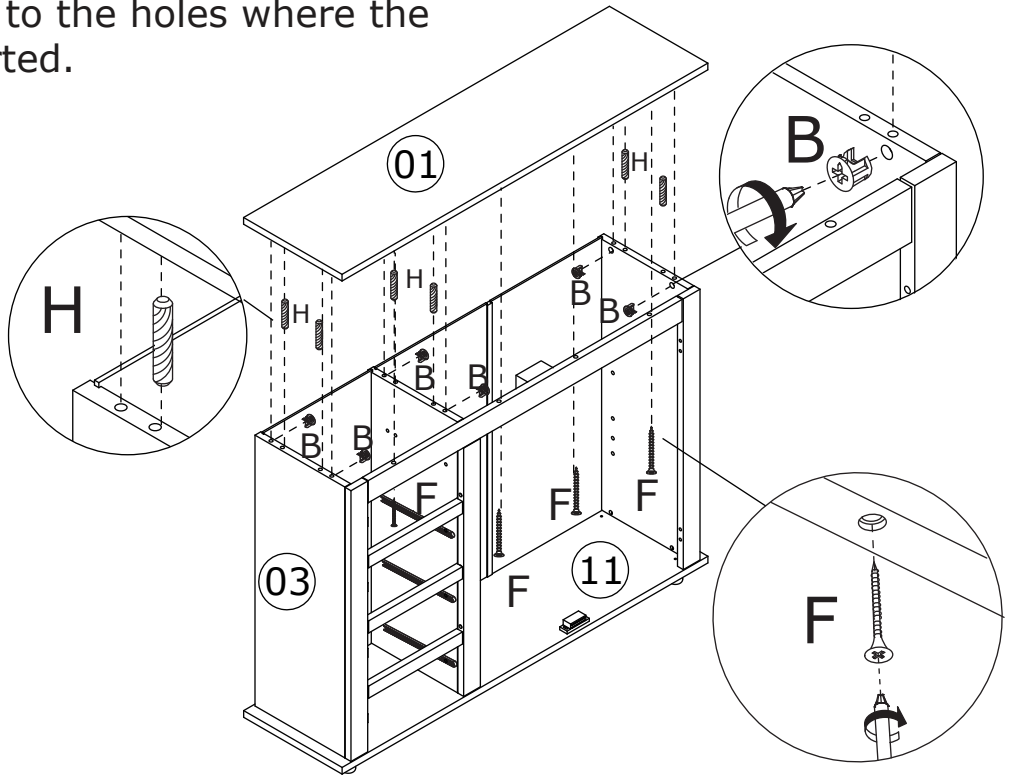
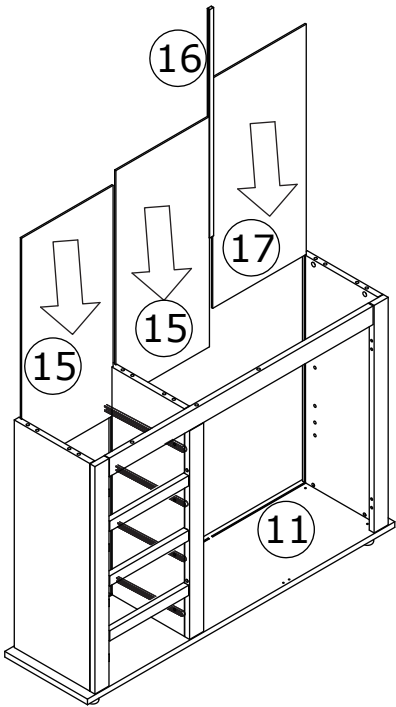
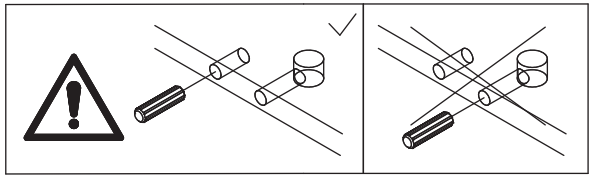


10

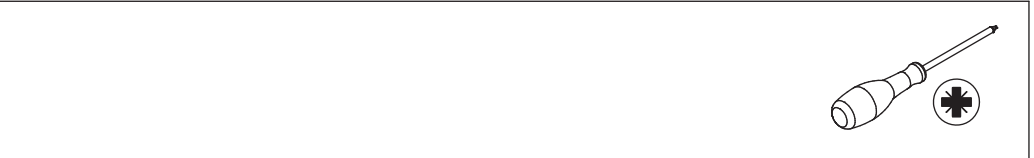
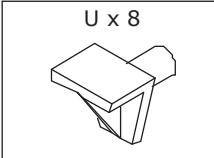


Insert part 15 and 17 into available slots as shown, please note connect part 15 and 17 with part 16.

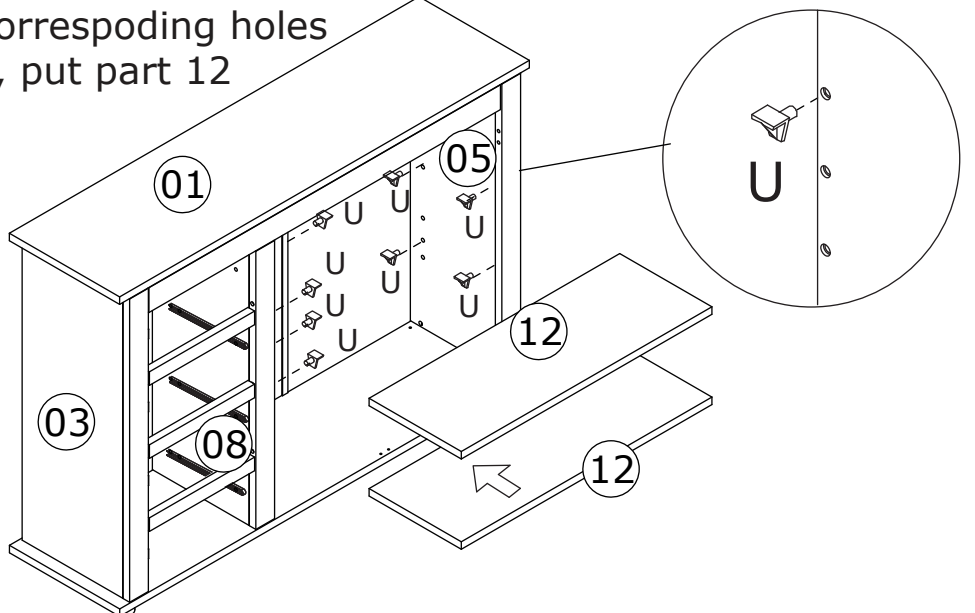
Cover part 1 to the assembled component with wooden dowel(H) at first and turn cam locks(B) clockwise to tighten as shown. Please pay attention to the holes where the accessories are inserted.



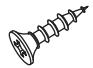
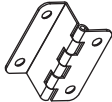


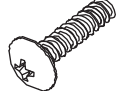
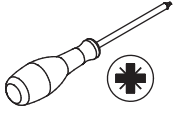
11



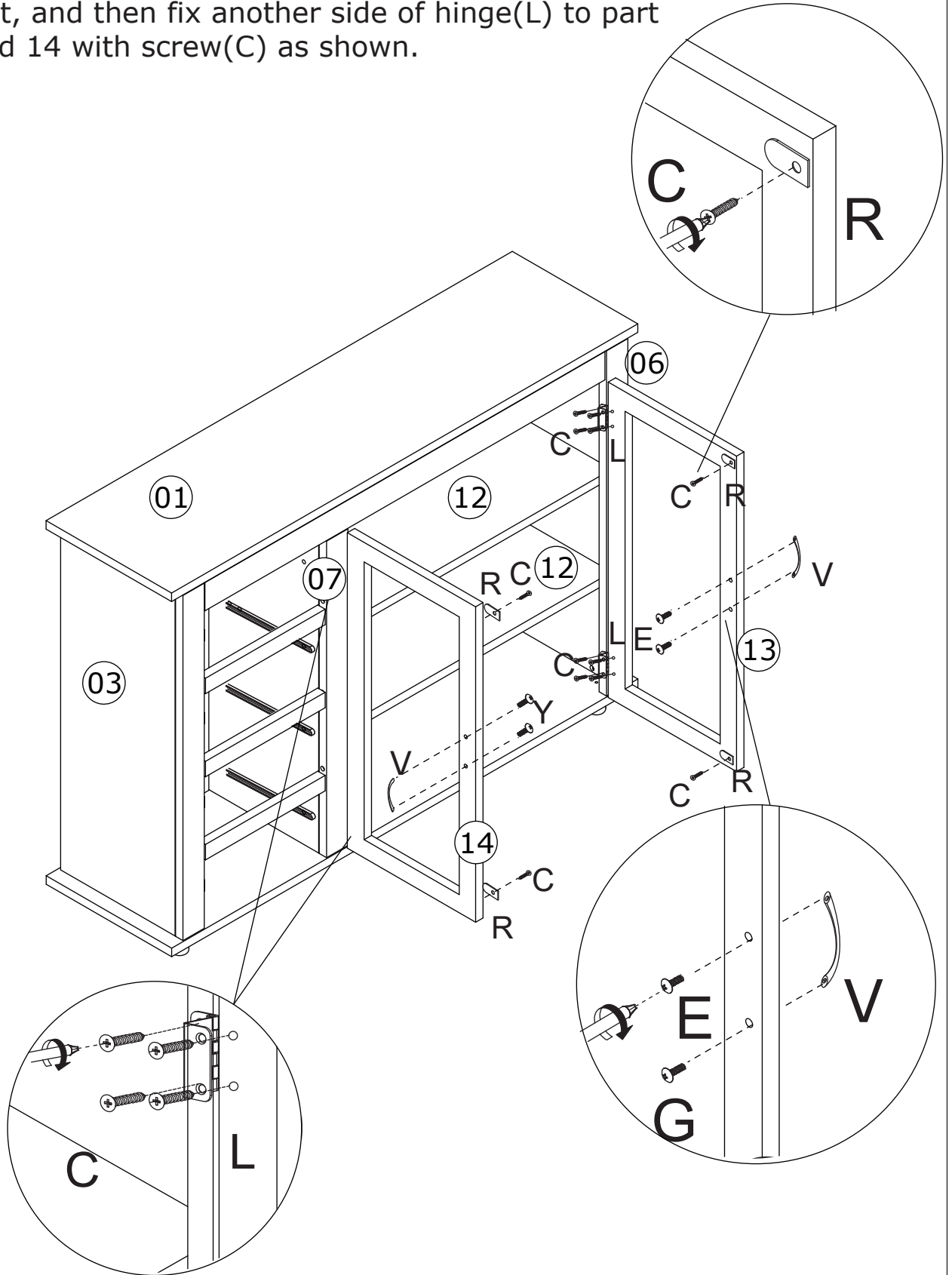
Insert part(U) to the corresponding holes of side of part 5 and 8, put part 12 as shown.



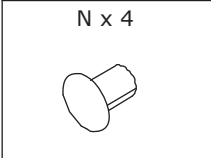
12

C x 20  Ø3 x 12 mm	L x 4 	R x 4 	V x 2 	E x 4  Ø4 x 16 mm	
---	--	--	---	--	---

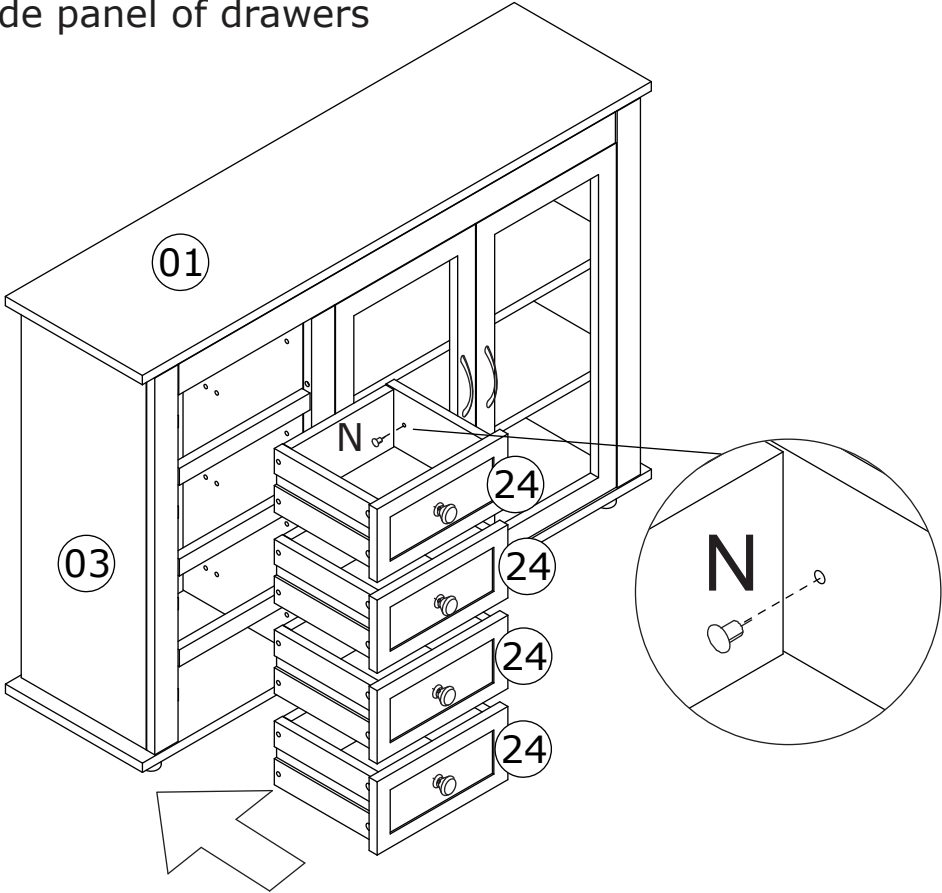
Fix part(R) to part 13 and 14 with screw(C) as shown.
Fix handle(V) to part 3 and 4 with screw(E) as shown.
Fix one side of hinge(L) to part 6 and 7 with screw(C) at first, and then fix another side of hinge(L) to part 13 and 14 with screw(C) as shown.



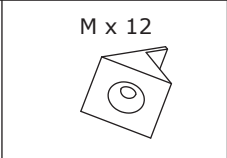
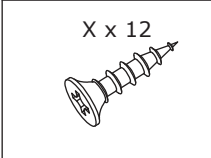
13



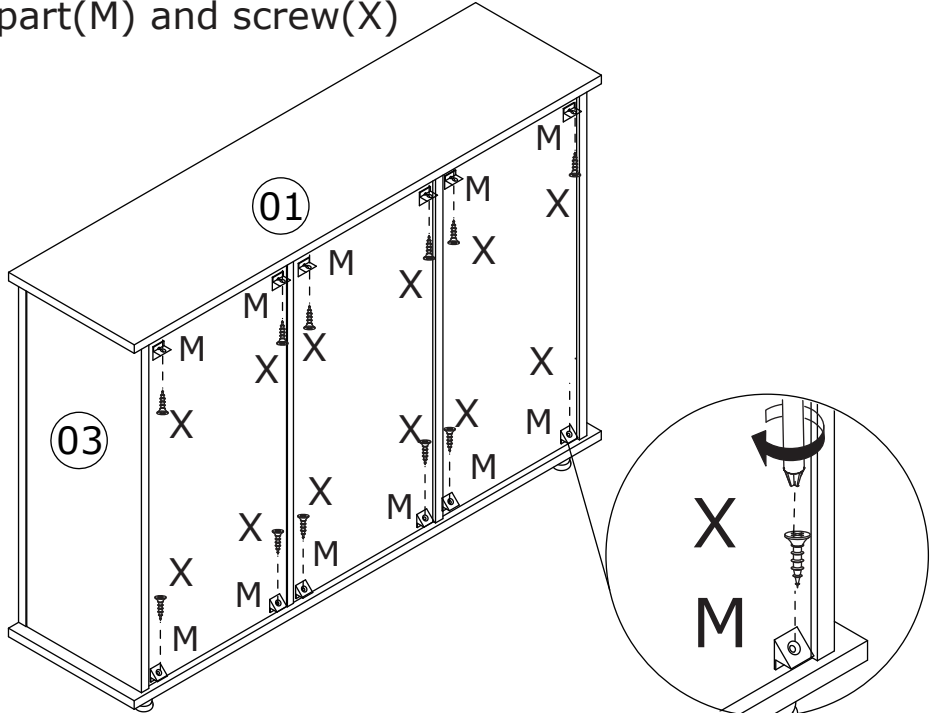
Align the rails, put all drawers. Please insert part(N) to the right side panel of drawers as shown.



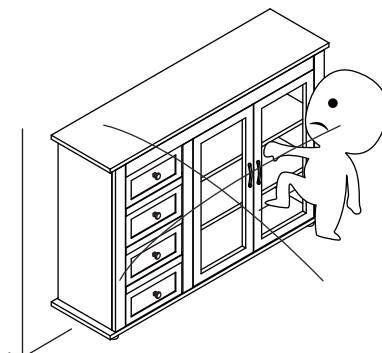
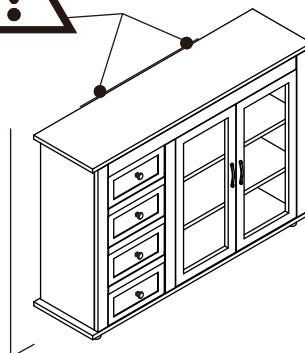
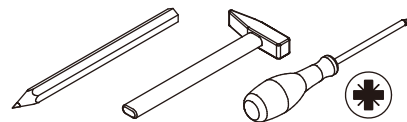
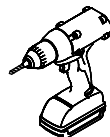
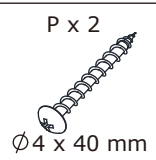
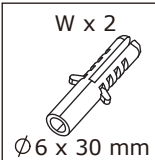
14



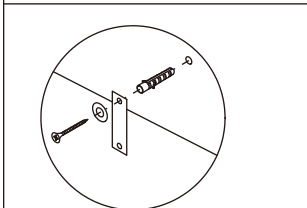
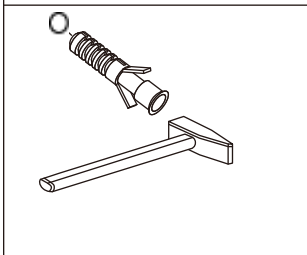
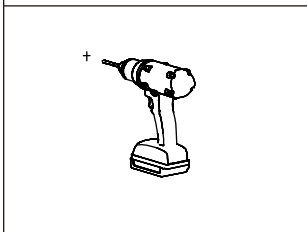
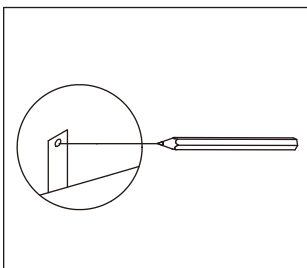
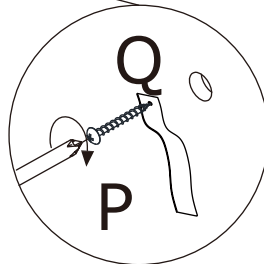
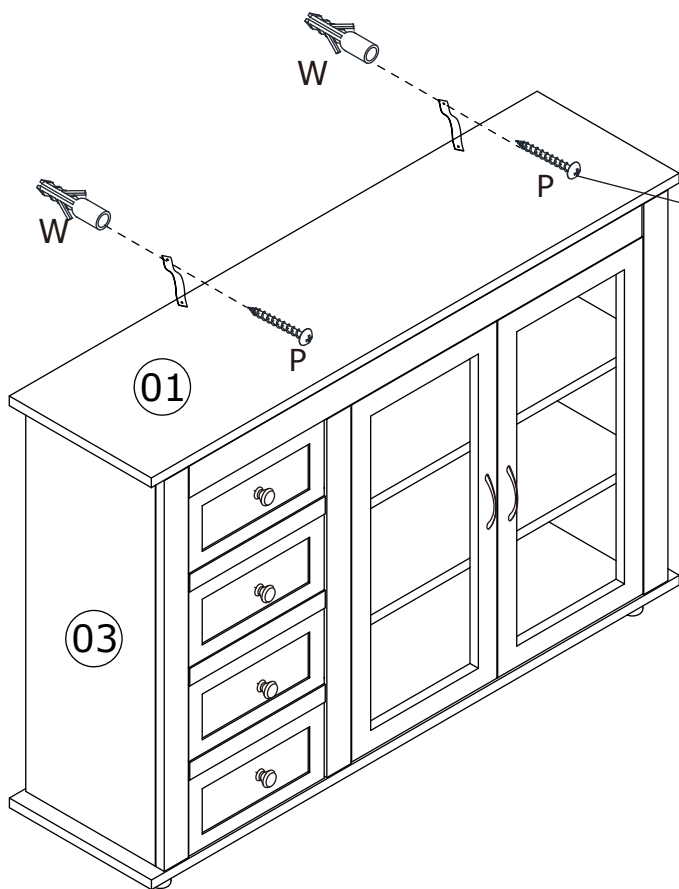
Fix back panel with part(M) and screw(X) as shown.

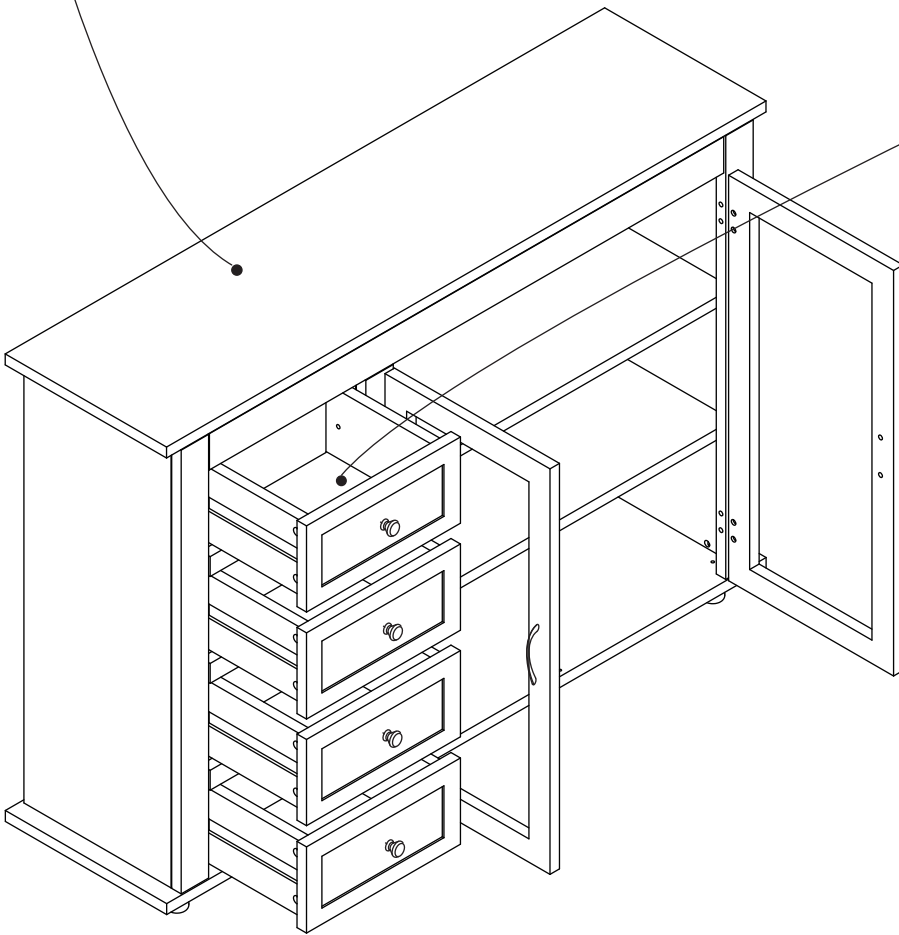
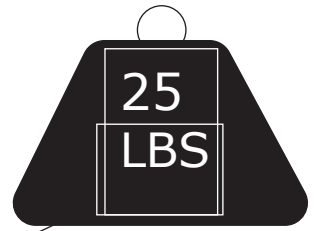
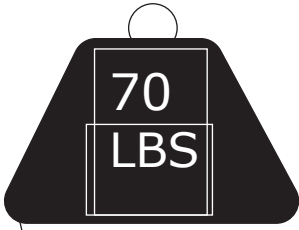


15



Knock the part(W) into the wall pre-drilled hole,
fix the anti-rewind tape(Q) with screw(P) as shown.





WARRANTY

WARRANTY CLAIMS

- There is a 30-day warranty for broken furniture or any other problems that do not work properly. The warranty will start from the date of purchase which must be verified by proof of purchase.
- Before making a claim, we may be able to answer your query, simply call us. Please leave your purchase order number, along with some details of the problem, if you want a replacement part. We will arrange within 48 hours. If there is out of stock, we will reply with a shipping date.
- The product must be used in accordance with the instructions provided. For health reasons.
- For other reasons, if the furniture needs to be returned, it must be cleaned and dried and operated within 30 days of receipt.

Type of Warranty Claim

- Failure to follow the furniture instructions will invalidate the warranty. Attention please.
- Does not include damage during installation, but includes damage during transportation.

Scope of responsibility

- Shall not bear any responsibility for misuse or user damage and / or loss of parts during the installation of furniture.
- After using, the damage and scratches of the furniture are not covered by the warranty.

The Warranty Relates to All Bought in The Us and Covers The Following Areas

- Sheet parts: 1 month from the date of purchase.
- Electrical parts: 1 month from the date of purchase.

RETURNS

CHANGED YOUR MIND AND NEED TO RETURN YOU ITEM?

PLEASE FOLLOW THE BELOW INSTRUCTIONS:

- If you have purchased and have simply changed your mind, follow the retailer's instructions for returns.

DEFECTIVE ITEMS

- If your item is defective in any way, i.e. it doesn't work but you can't identify why, in the first instance, please call us.

DAMAGED ITEMS

- If you receive an order with obvious shipping damage from the retailer, then we suggest the delivery is refused. If the delivery has been accepted and then shipping damage is found, please follow the specific instructions advised by the retailer. In all circumstances please save all packaging material and paperwork for the order. Please be aware that if you dispose of packaging material or attempt to return the merchandise without contacting the fulfiller, you jeopardise your chances of making a claim, and you may not receive a credit for the return.