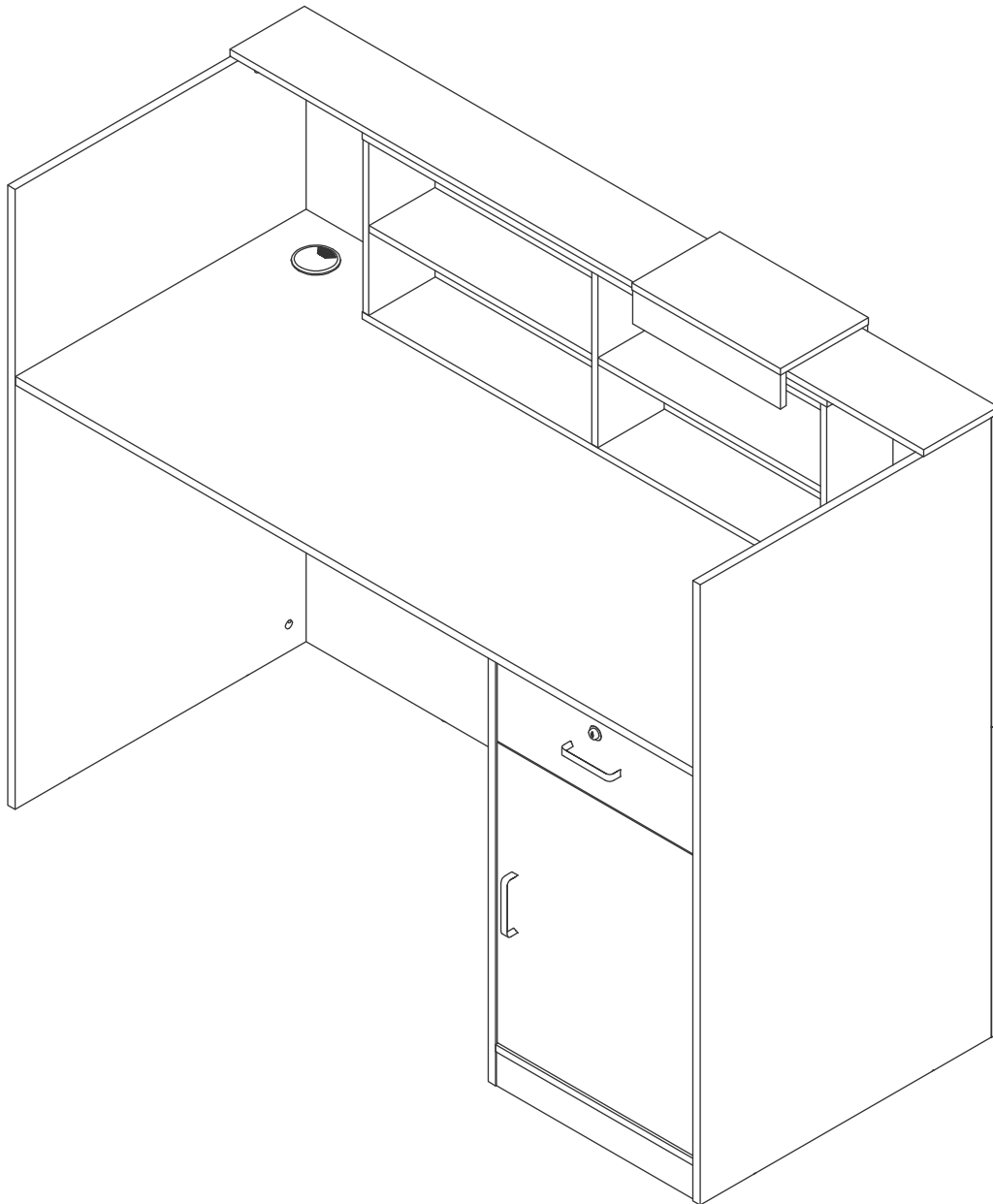


Reception Desk





IMPORTANT INFORMATION!

please read the entire manual before starting to assemble and/or using this product. follow the manual thoroughly and keep it for further reference.



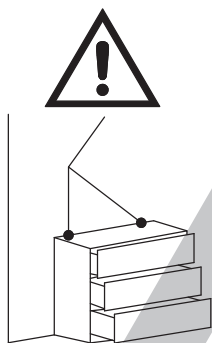
AVOID SCRATCHES!

In order to avoid scratching this furniture should be assembled on a soft layer- could be a rug.



IMPROVE EFFICIENCY !

Try to find a partner to install with you, which can speed up the installation efficiency and shorten the time.



ANTI-TOPPLE WARNING !

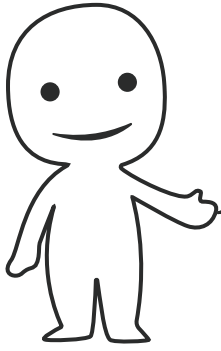
Overturnd furniture can cause serious or fatal crush injuries. To prevent tipping over, be sure to use the wall attachment, if not included with this product. Please purchase the wall attachment that fit your wall. If unsure, seek professional advice. Please read and follow each step of the instructions carefully.

IMPORTANT !

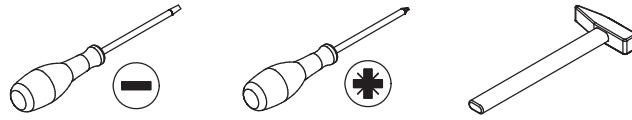
It is important that any product which is assembled using any kind of screw is re-tightened 2 weeks after assembly, and once every 3 months - in order to assure stability through-out the lifespan of the product.

For regular maintenance and cleaning of the product, for the frame, please use a rag dipped in neutral detergent to fully wipe it, and then dry it with a clean rag. For glass materials, wipe with a rag dampened with water glass cleaner, and then dry with a dry rag.

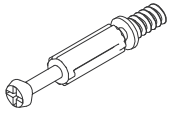


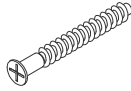

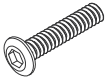




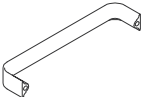
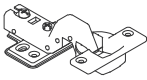



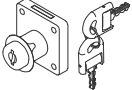

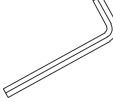
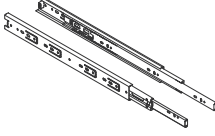
Do not use an electric screwdriver, and do not use too much force when installing, because the board is easy to break.

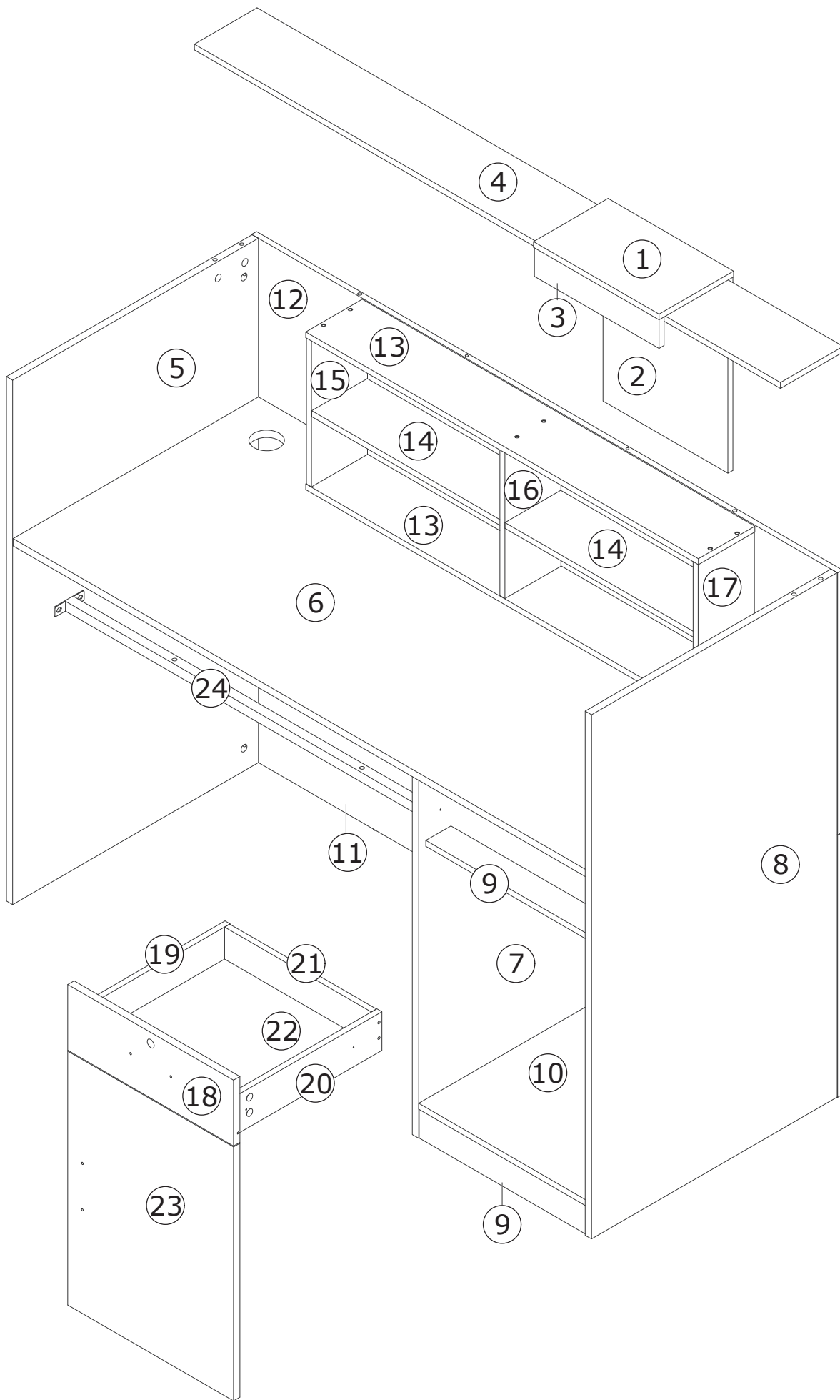


Please prepare the following tools



When installing, please carefully confirm whether each screw corresponds to the manual, accessories with similar shapes can be distinguished by size

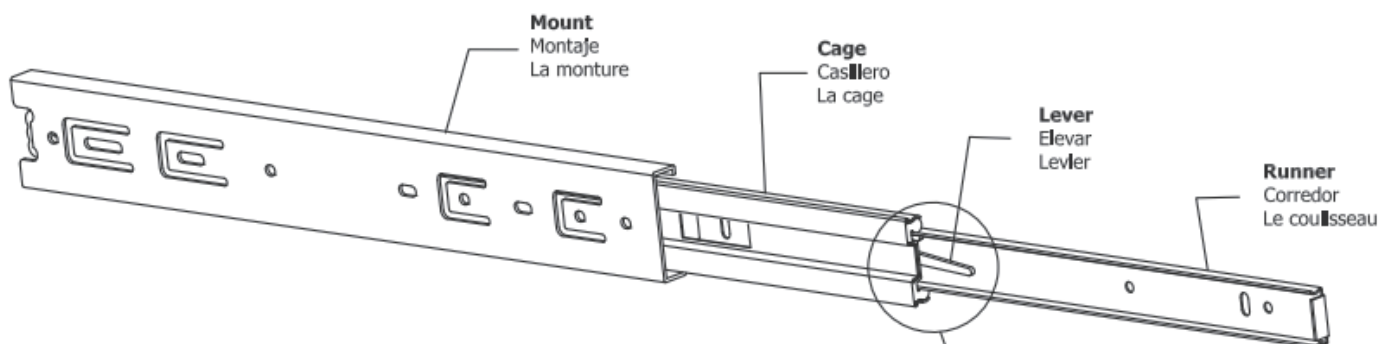
<p>A x 52</p>  <p>M5 x 42 mm</p>	<p>B x 52</p>  <p>Ø15 x 10 mm</p>	<p>C x 16</p>  <p>M3.5 x 14 mm</p>	<p>D x 16</p>  <p>M5 x 40 mm</p>	<p>E x 4</p>  <p>M6 x 12 mm</p>
<p>F x 2</p>  <p>M6 x 30 mm</p>	<p>G x 4</p>  <p>M3 x 18 mm</p>	<p>H x 32</p>  <p>Ø6 x 40 mm</p>	<p>I x 1</p>  <p>Ø60 mm</p>	<p>J x 4</p>  <p>M4 x 18 mm</p>
<p>K x 2</p> 	<p>L x 1 SET</p> 	<p>M x 1</p>  <p>20 mm</p>	<p>N x 1</p>  <p>40 mm</p>	<p>O x 16</p> 
<p>P x 1</p> 	<p>Q x 4</p>  <p>M3.5 x 12 mm</p>	<p>R x 1</p>  <p>4 #</p>	<p>(25)</p>  <p>14''(3508W) 1SET</p>	



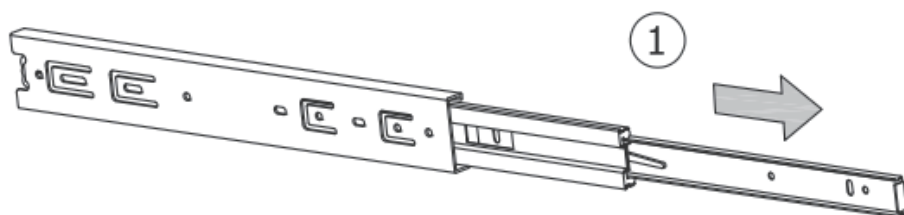
**Slides Must Be Separated Before Assembly.
After Separated, Set Aside Until Needed for Assembly.**

Las diapositivas deben separarse antes del montaje.
Después de la separación, déjelo a un lado hasta que sea necesario.

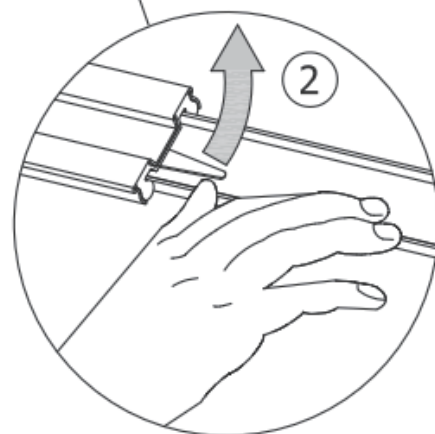
Les glissières doivent être séparées avant l'assemblage.
Après la séparation, mettez de côté jusqu'au moment de l'assemblage.



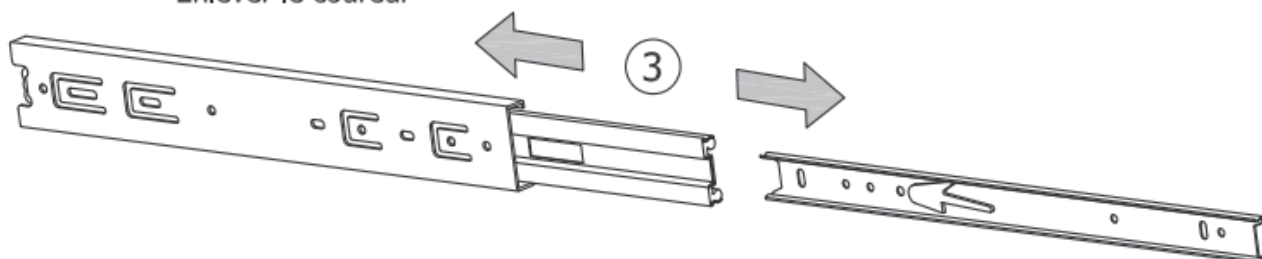
STEP 1: Extend Slide
Extender la diapositiva
Extendre la diapositive



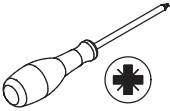
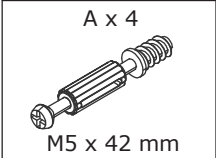
STEP 2: Push Lever UP
Empujar hacia arriba
Lever le levier



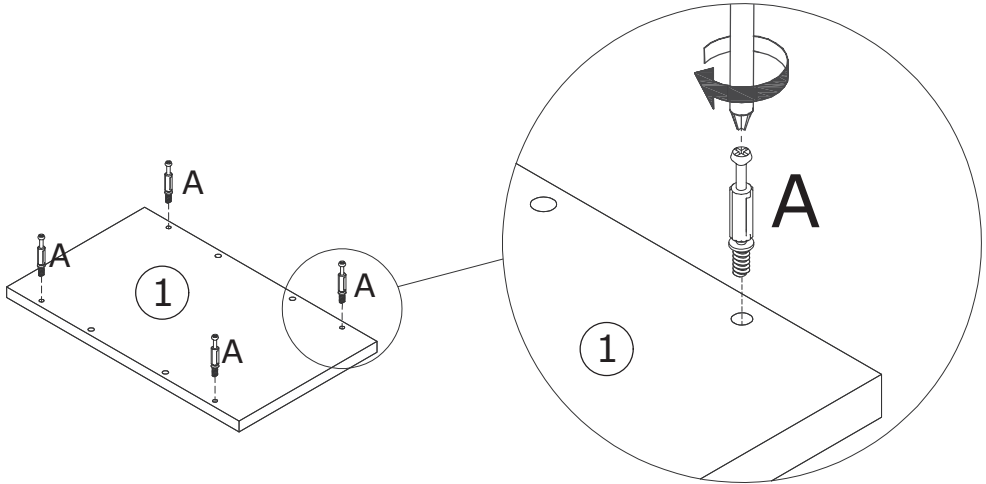
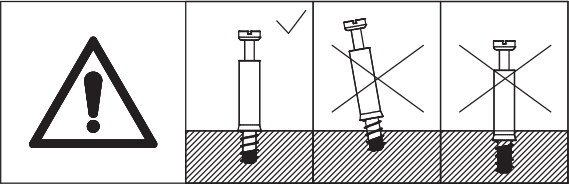
STEP 3: Remove Runner
Quitar el corredor
Enlever le coureur



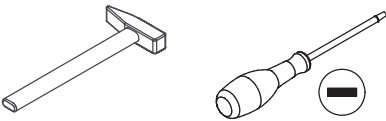
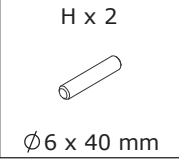
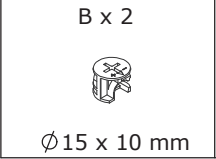
1



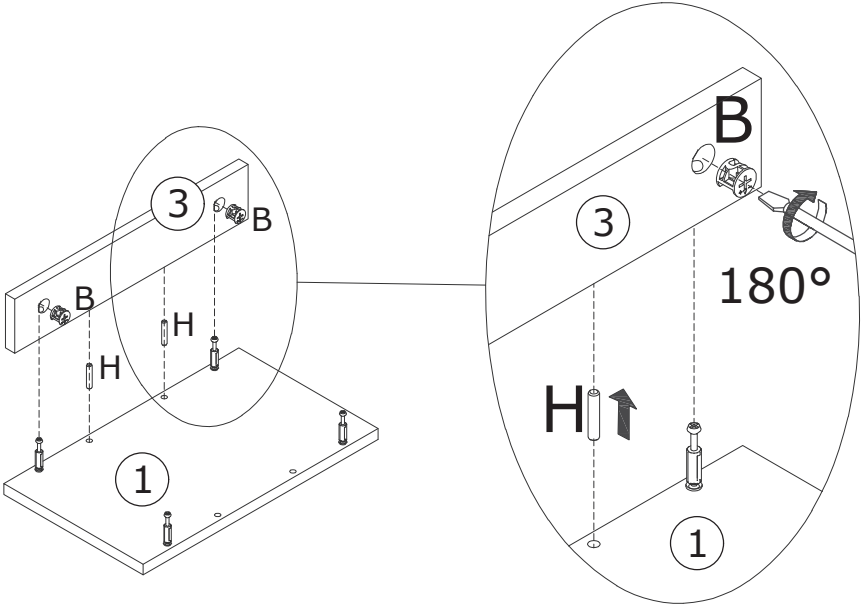
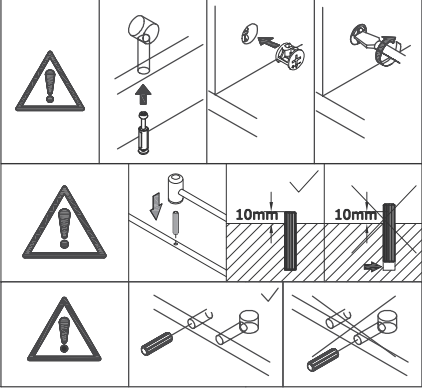
Insert quickfit screws(A) into corresponding holes in plate 1 with a screwdriver as shown.



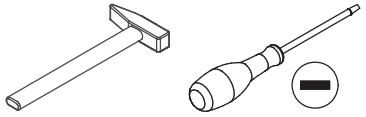
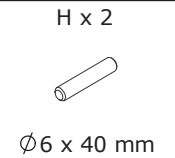
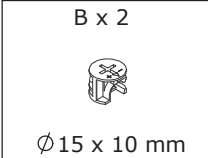
2



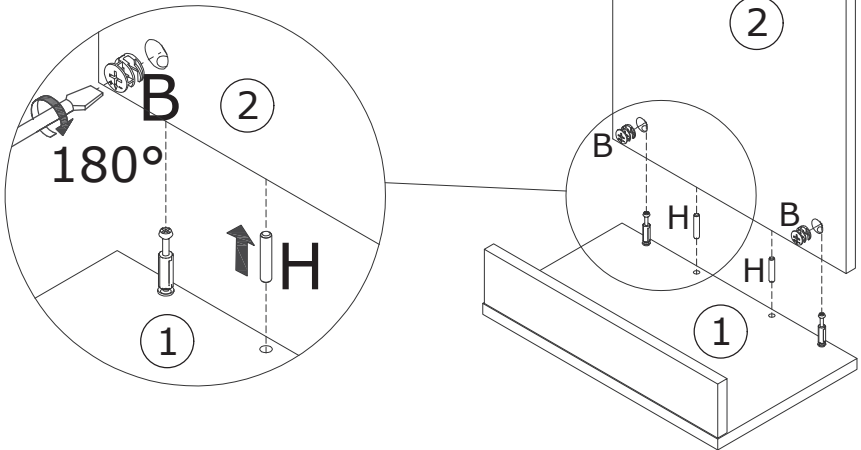
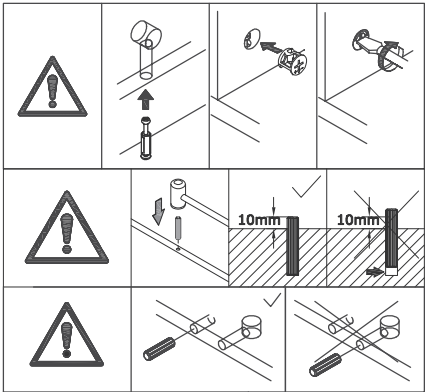
Attach plate 3 to plate 1 with wooden dowel(H) and turn cam lock(B) clockwise to tighten as shown.



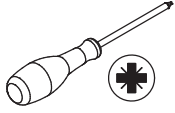
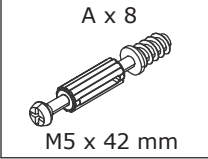
3



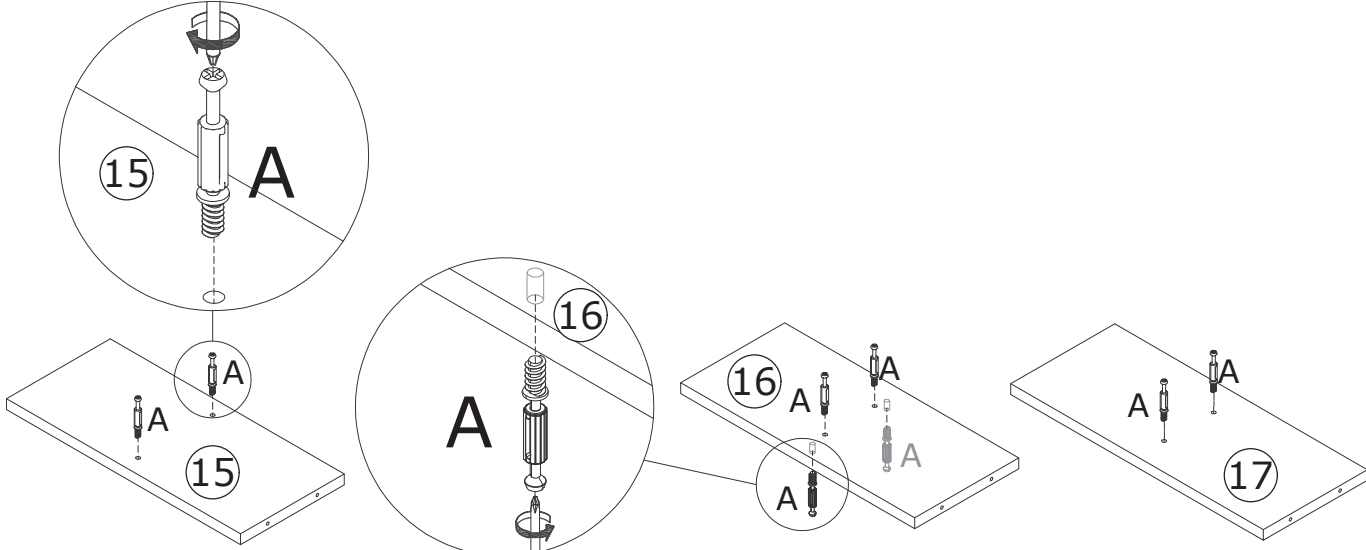
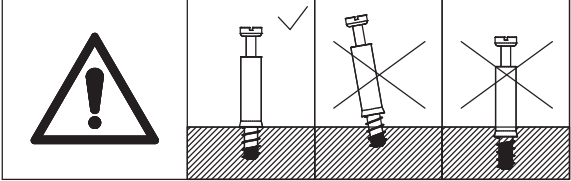
Attach plate 2 to plate 1 with wooden dowel(H) and turn cam lock(B) clockwise to tighten as shown.



4

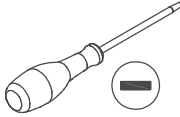


Insert quickfit screws(A) into corresponding holes in plate 15,16,17 with a screwdriver as shown.

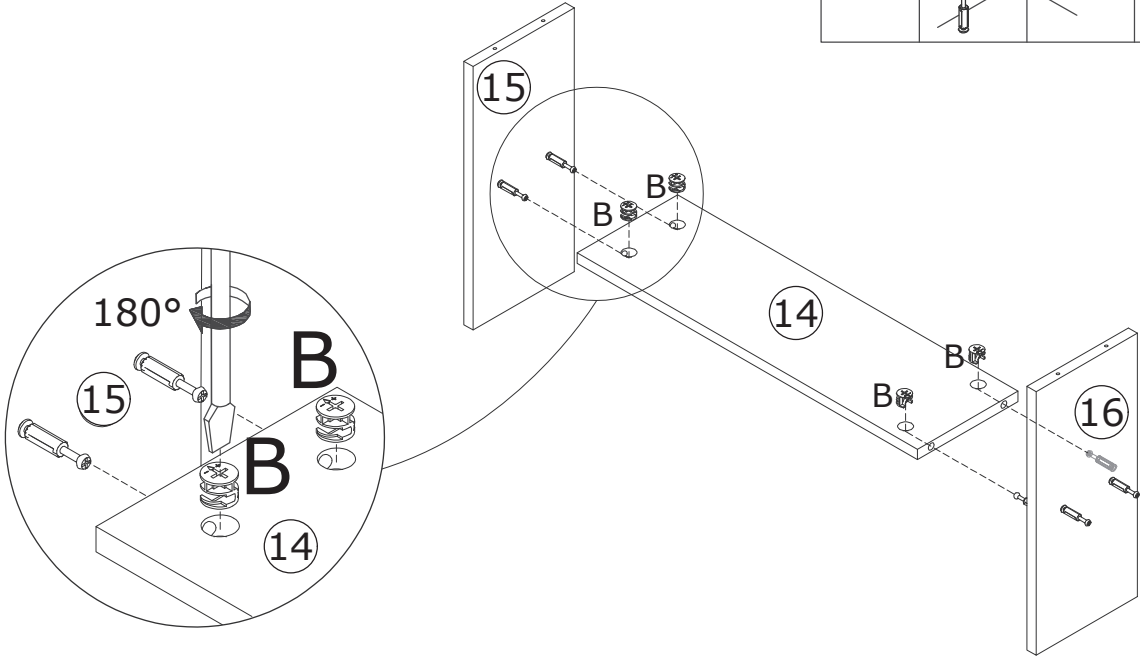
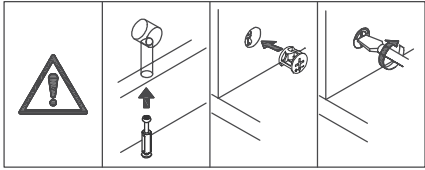


5

B x 4
Ø15 x 10 mm

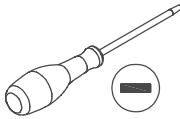


Connect plate 15,16 with plate 14 and turn cam lock(B) clockwise to tighten.

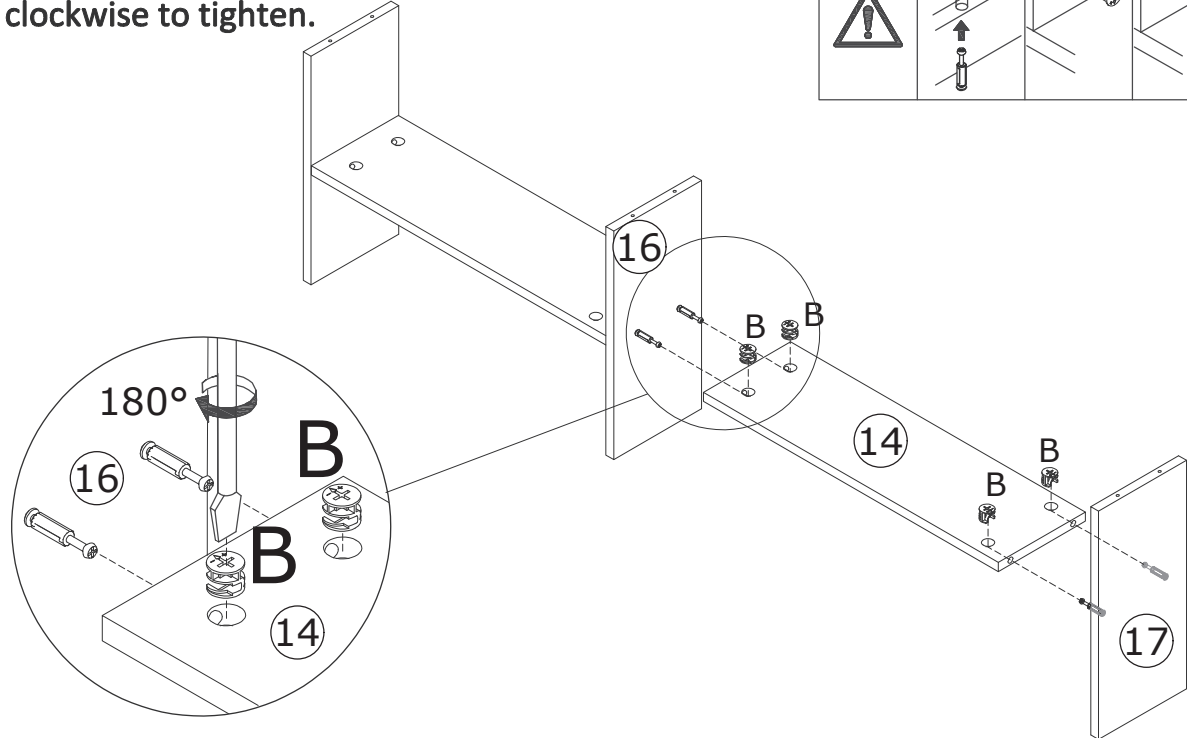
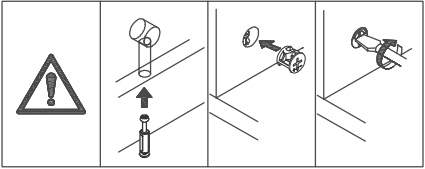


6

B x 4
Ø15 x 10 mm

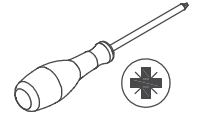
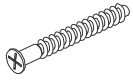


Connect plate 16,17 with another plate 14 and turn cam lock(B) clockwise to tighten.

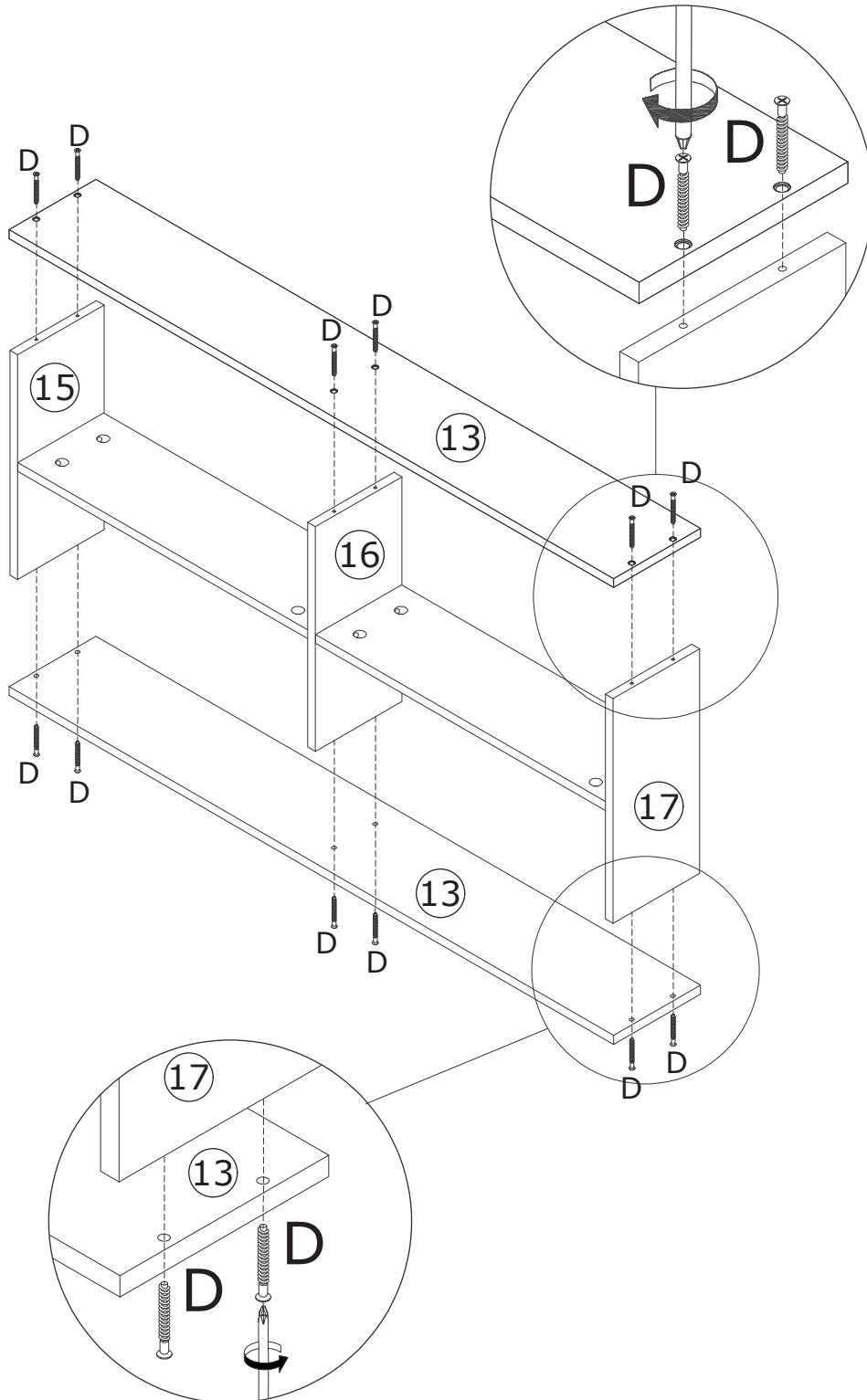


7

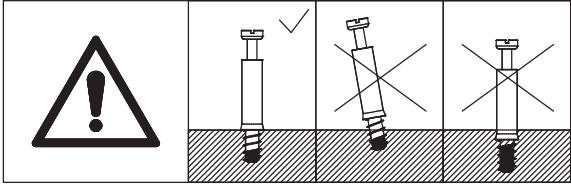
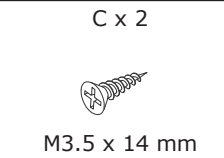
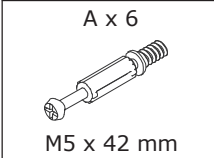
D x 12
M5 x 40 mm



Attach two plate 13 to plate 15,16,17 and then fix with screw(D) as shown.

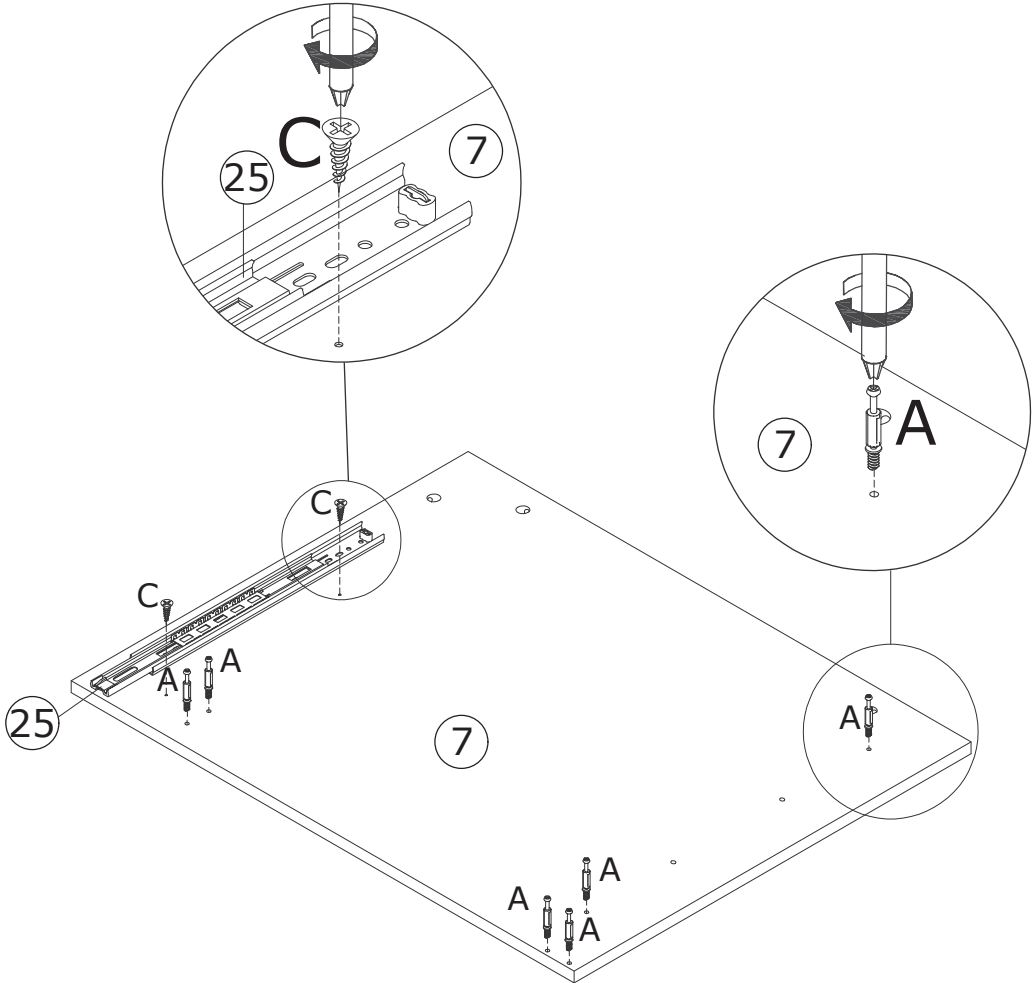
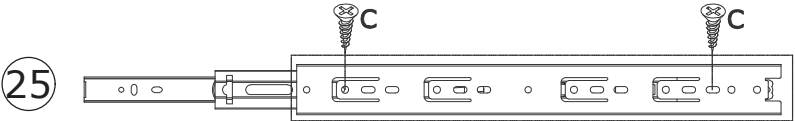


8

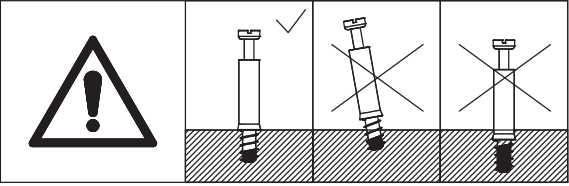
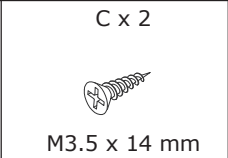
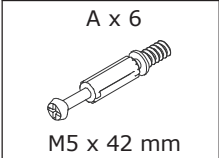


Separate glide into two parts.
Fix slide rail 25 to plate 7 with screw(C) as shown.
Insert quickfit screws(A) into corresponding holes
in plate 7 with a screwdriver as shown.

Back section of part 25

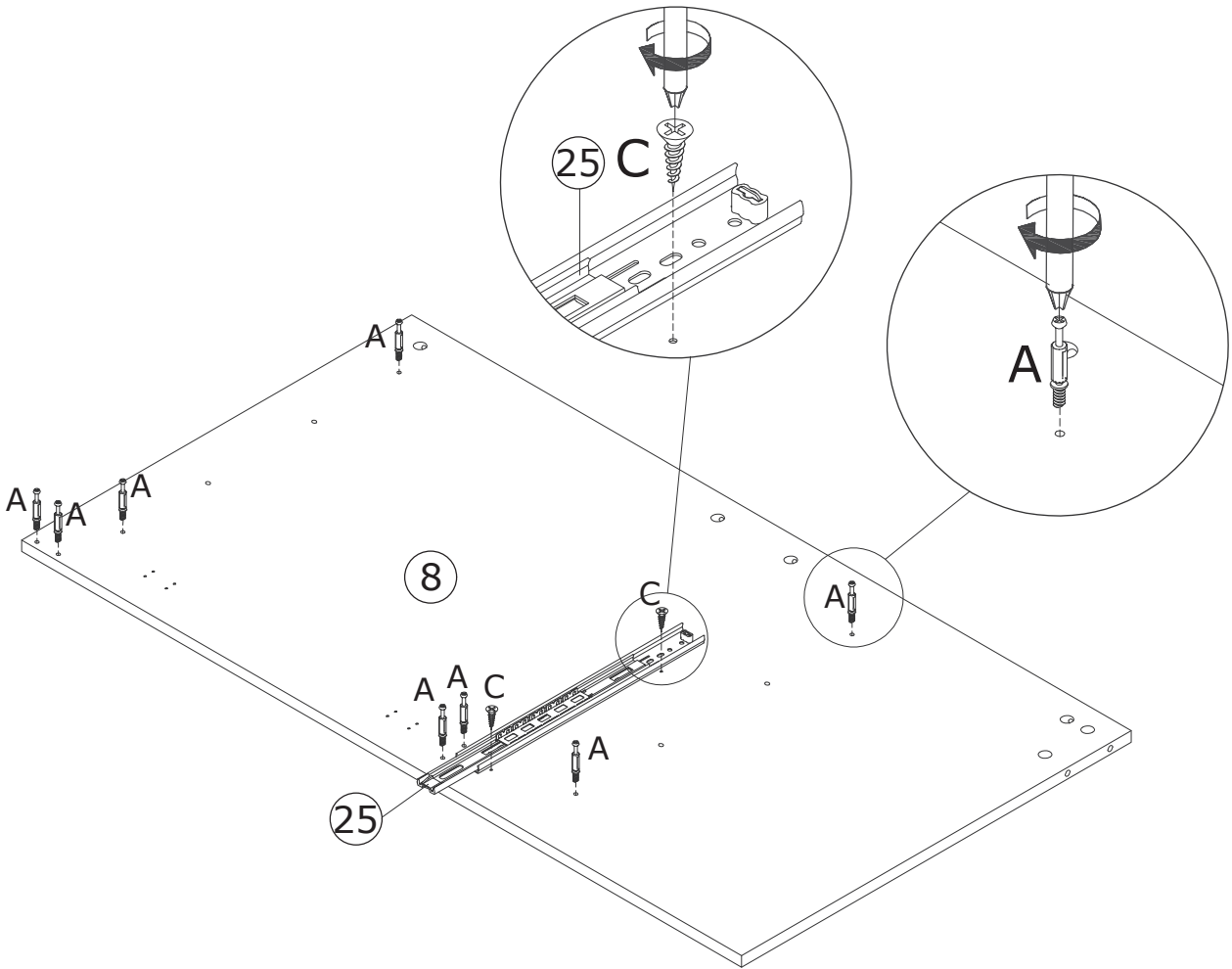
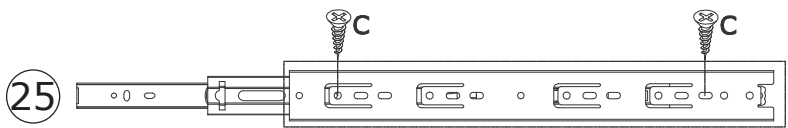


9

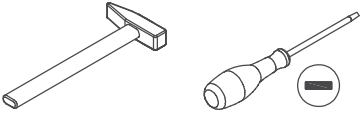
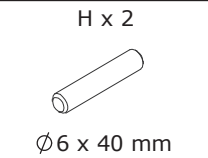
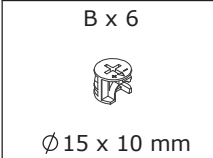


Fix slide rail 25 to plate 8 with screw(C) as shown.
Insert quickfit screws(A) into corresponding holes
in plate 8 with a screwdriver as shown.

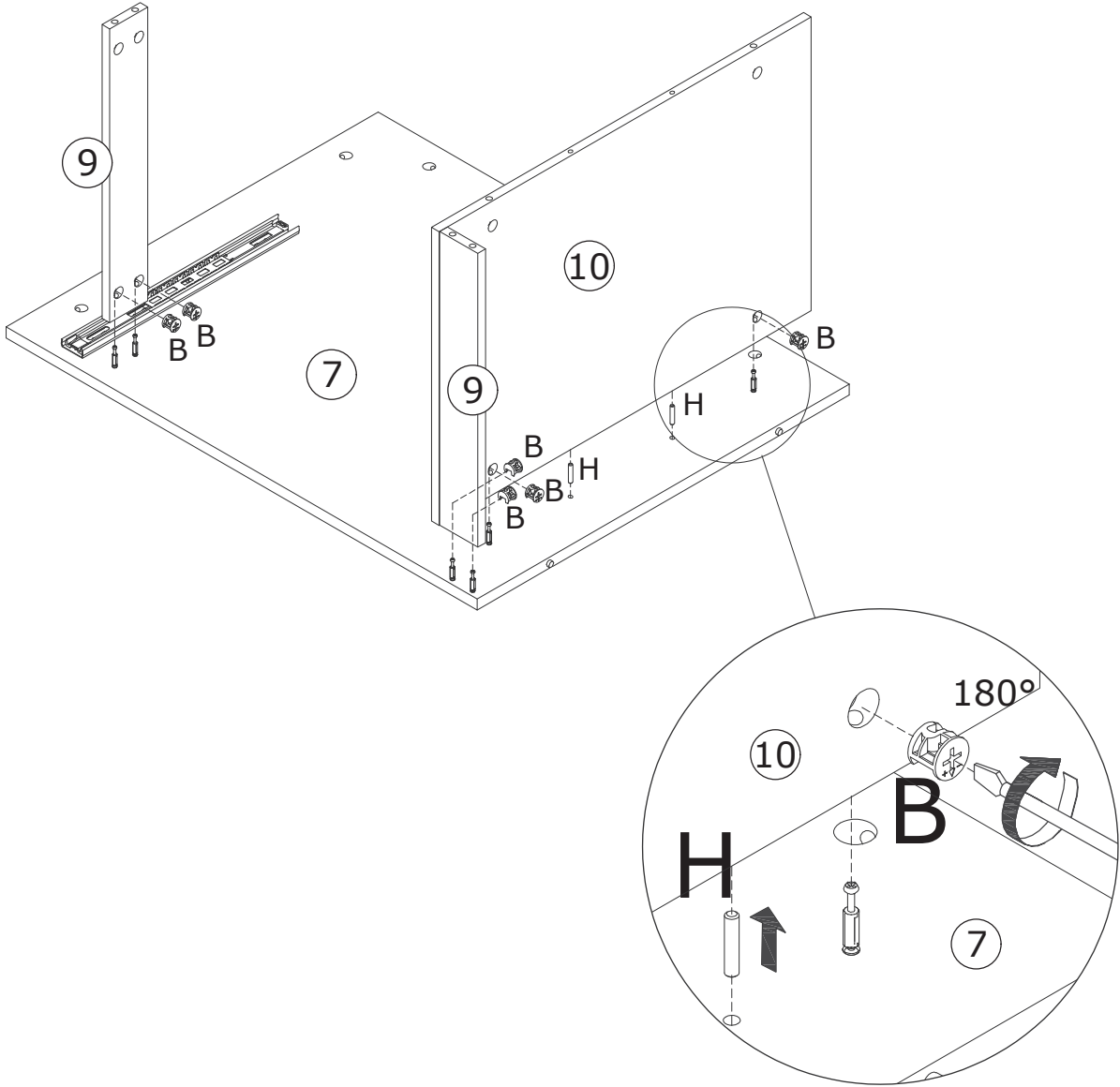
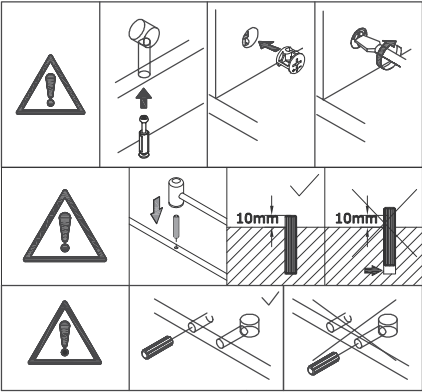
Back section of part 25



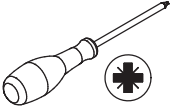
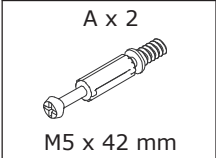
10



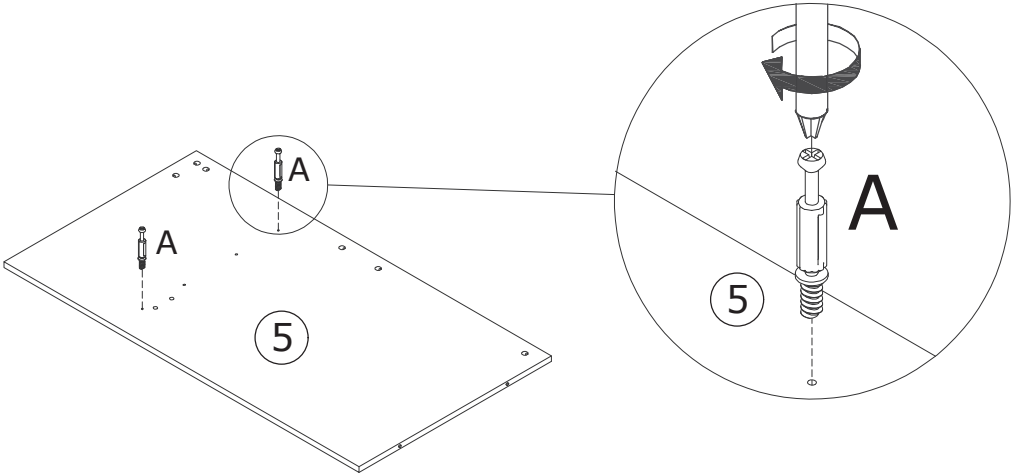
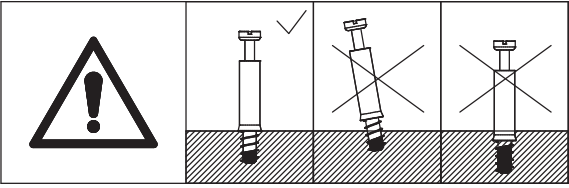
Attach two plate 9 to plate 7 and turn cam lock(B) clockwise to tighten as shown.
Attach plate 10 to plate 7 with wooden dowel(H) and turn cam lock(B) clockwise to tighten as shown.



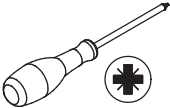
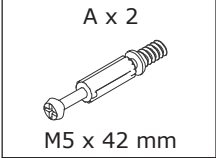
11



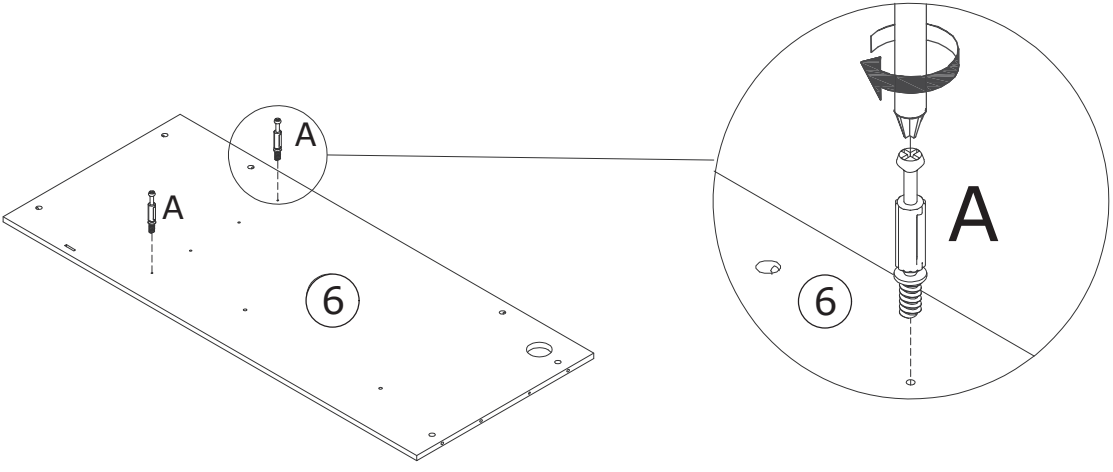
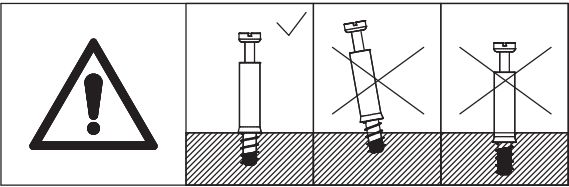
Insert quickfit screws(A) into corresponding holes in plate 5 with a screwdriver as shown.




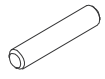
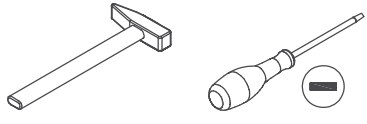
12



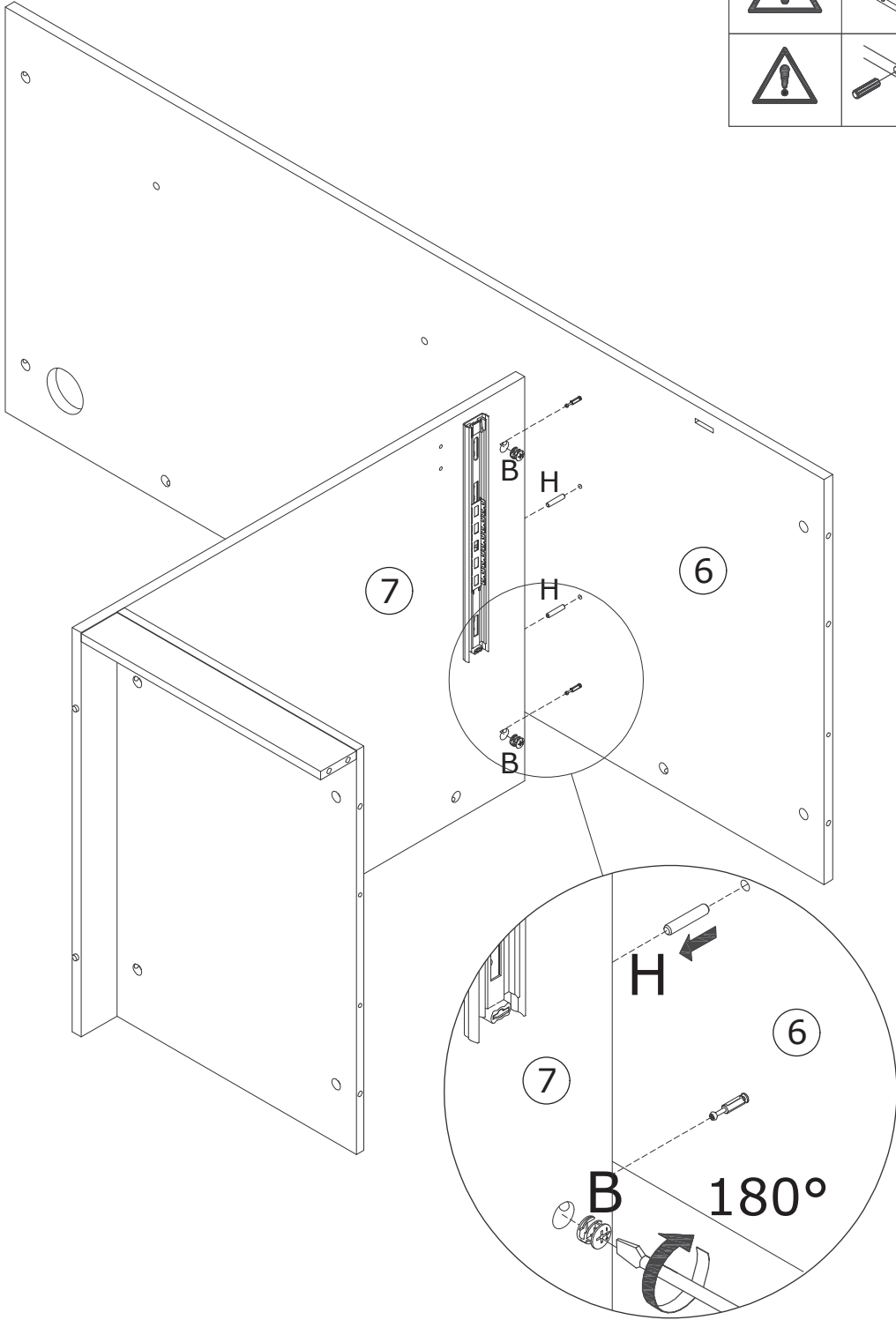
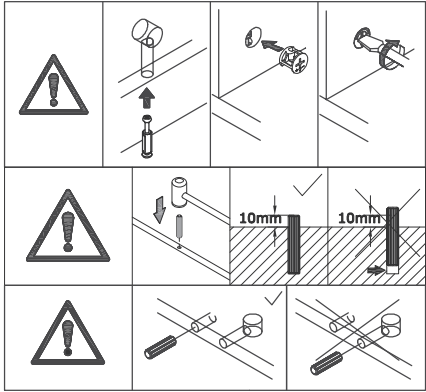
Insert quickfit screws(A) into corresponding holes in plate 6 with a screwdriver as shown.



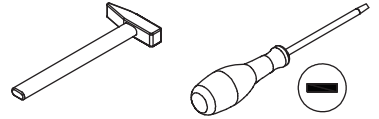
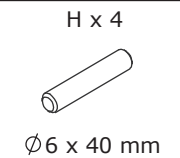
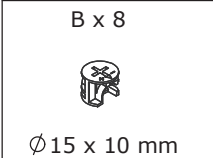
13

<p>B x 2</p>  <p>Ø15 x 10 mm</p>	<p>H x 2</p>  <p>Ø6 x 40 mm</p>	
---	--	---

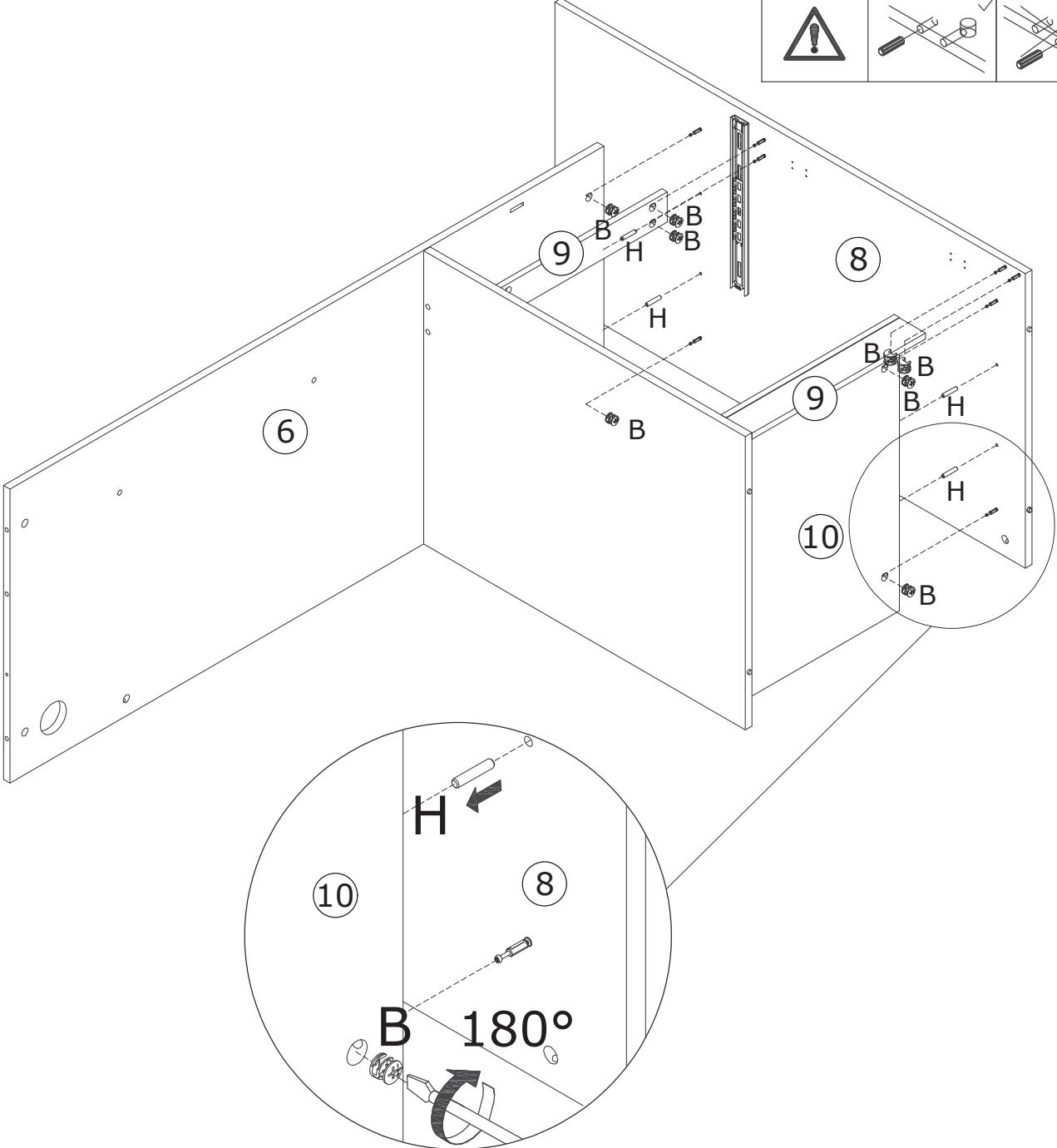
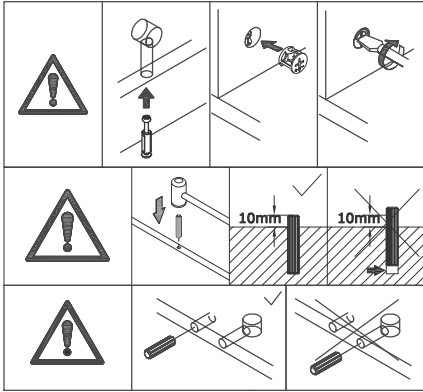
Attach plate 6 to plate 7 with wooden dowel(H) and turn cam lock(B) clockwise to tighten as shown.





14

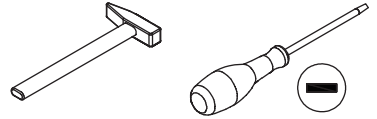


Insert wooden dowel(H) into plate 6 and 10 at first.
Attach plate 8 to plate 6,9,10 and turn cam lock(B)
clockwise to tighten as shown.

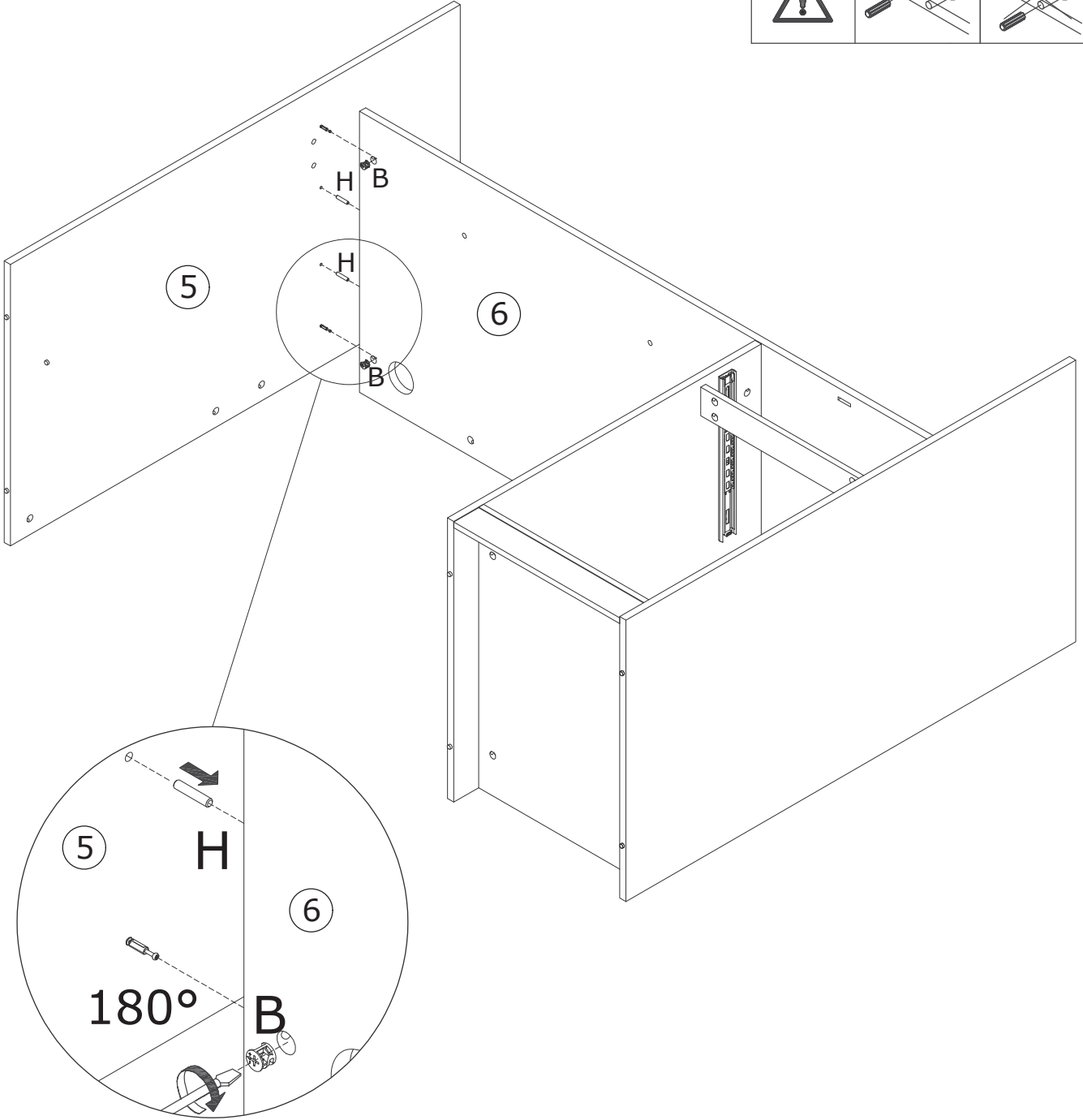
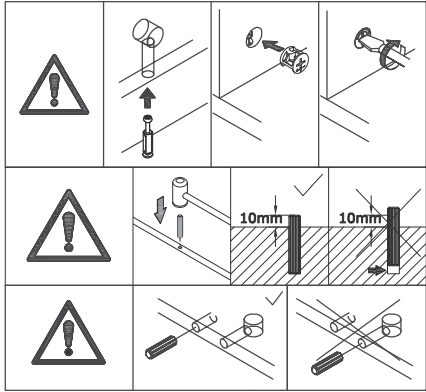


15

B x 2  Ø15 x 10 mm	H x 2  Ø6 x 40 mm
---	--



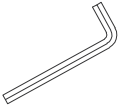
Attach plate 5 to plate 6 with wooden dowel(H) and turn cam lock(B) clockwise to tighten as shown.



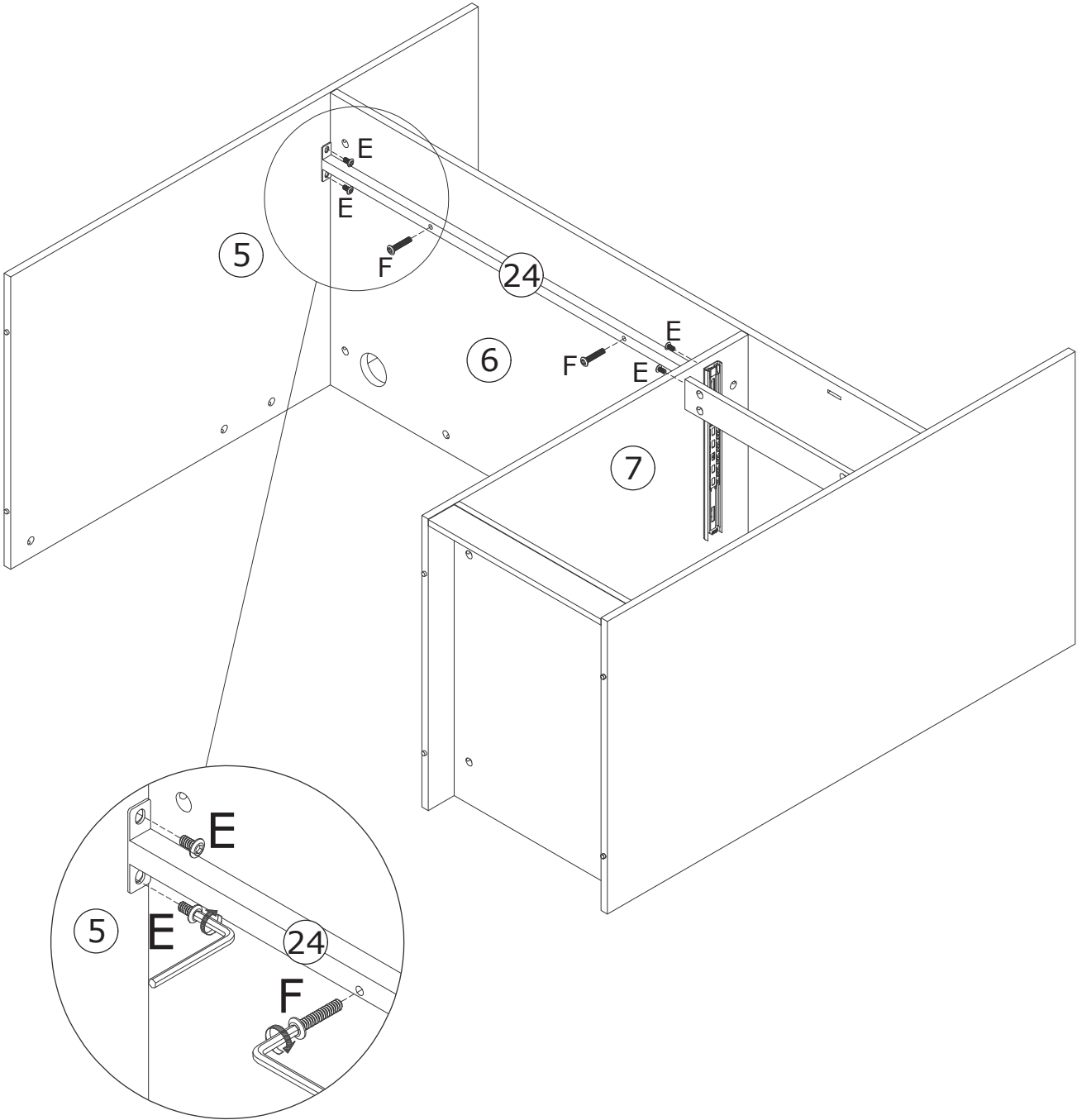
16

E x 4
M6 x 12 mm

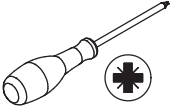
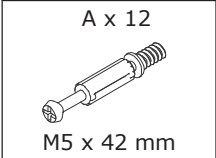
F x 2
M6 x 30 mm



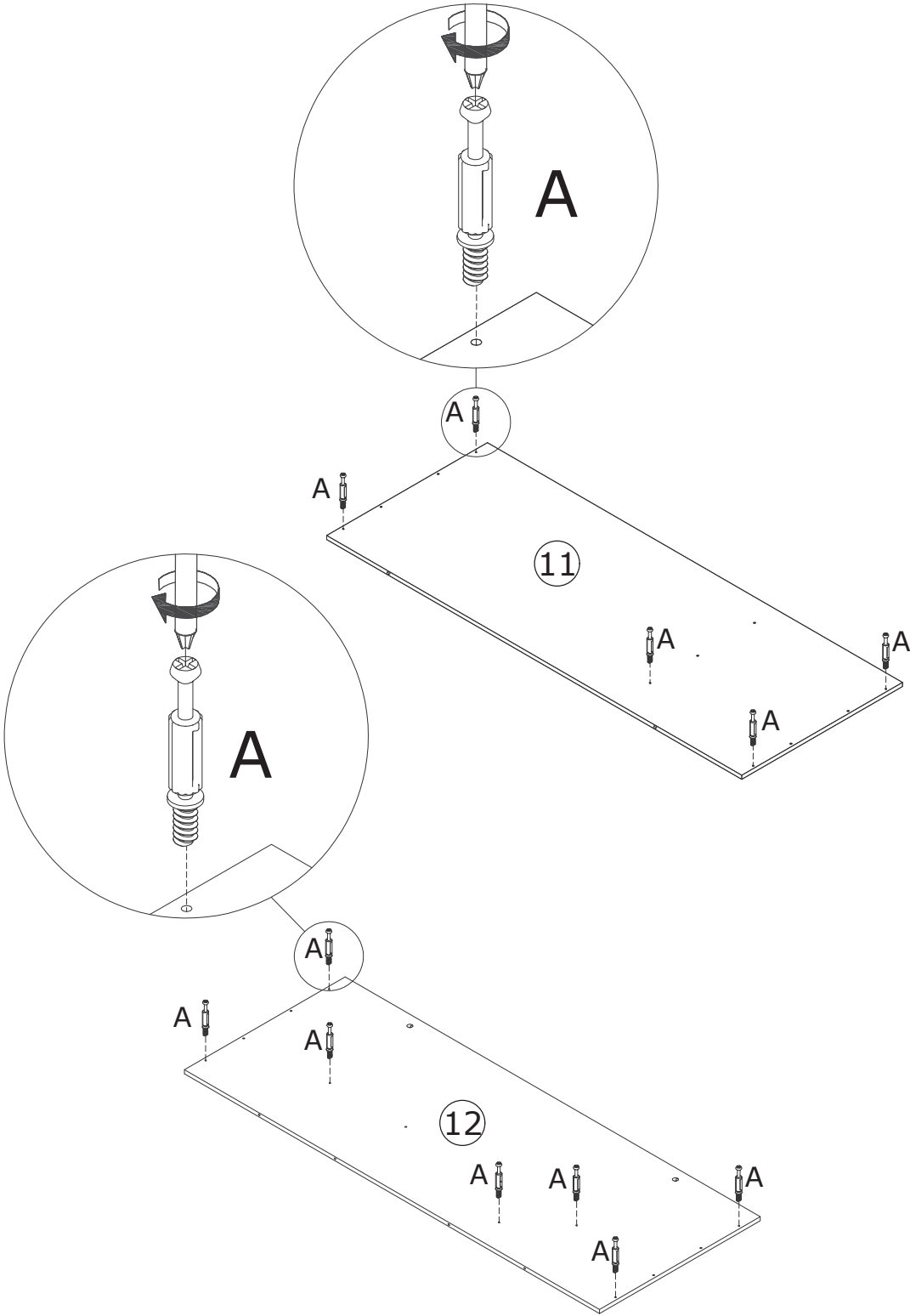
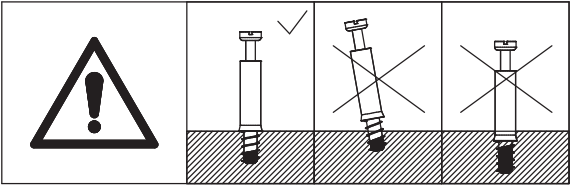
Fix steel tube 24 to plate 5,6,7 with screw(E) and (F) as shown.



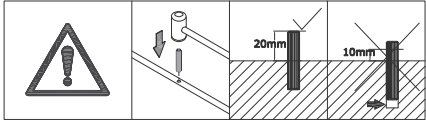
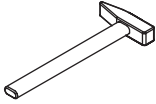
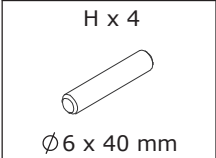
17



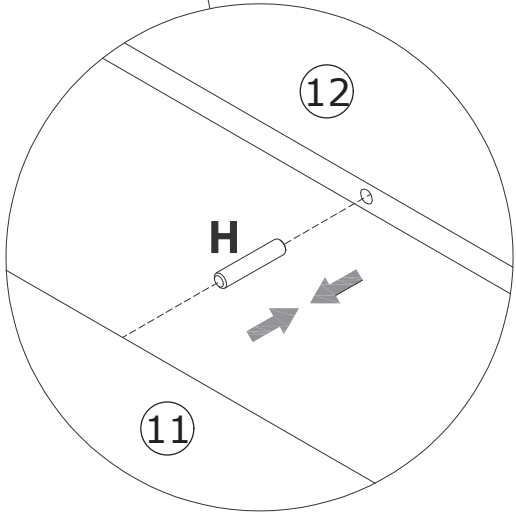
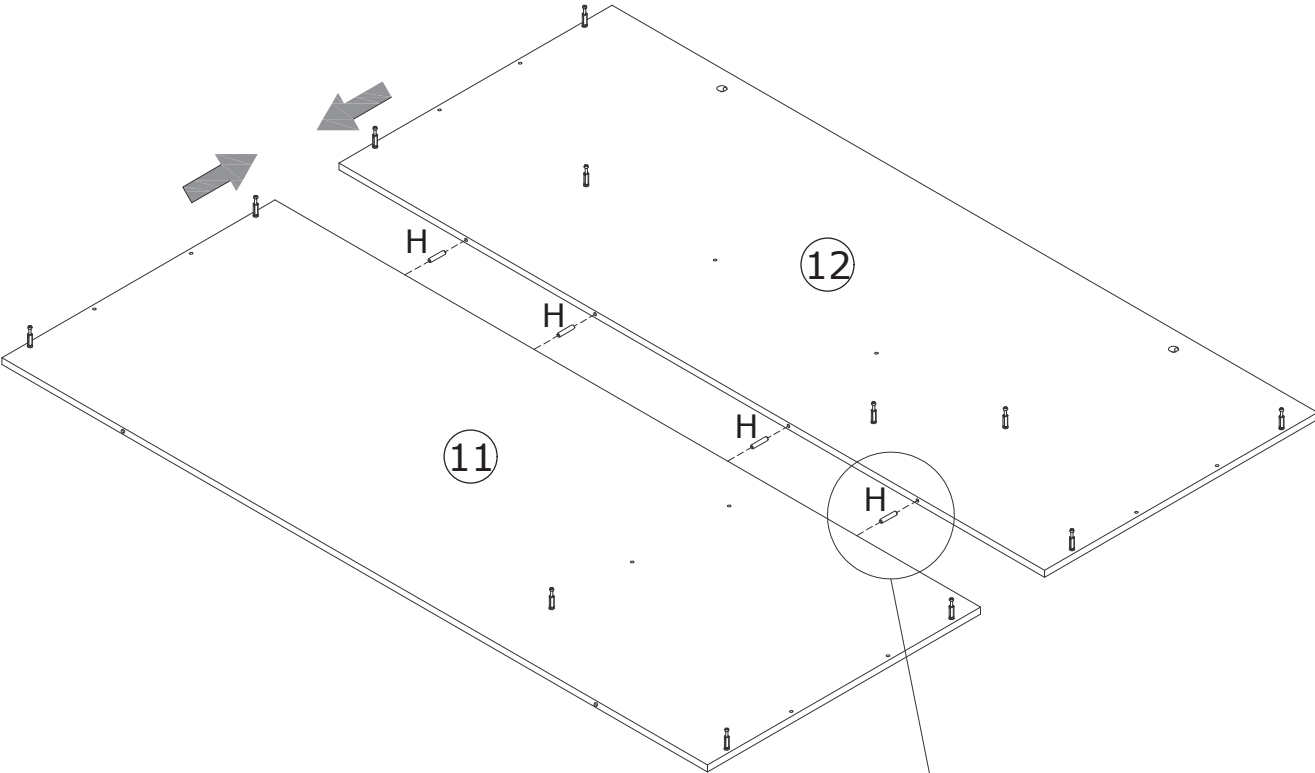
Insert quickfit screws(A) into corresponding holes in plate 11 and 12 with a screwdriver as shown.



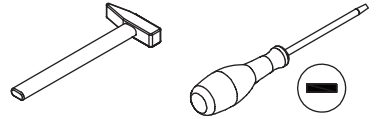
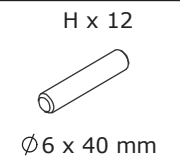
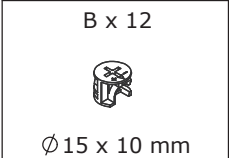
18



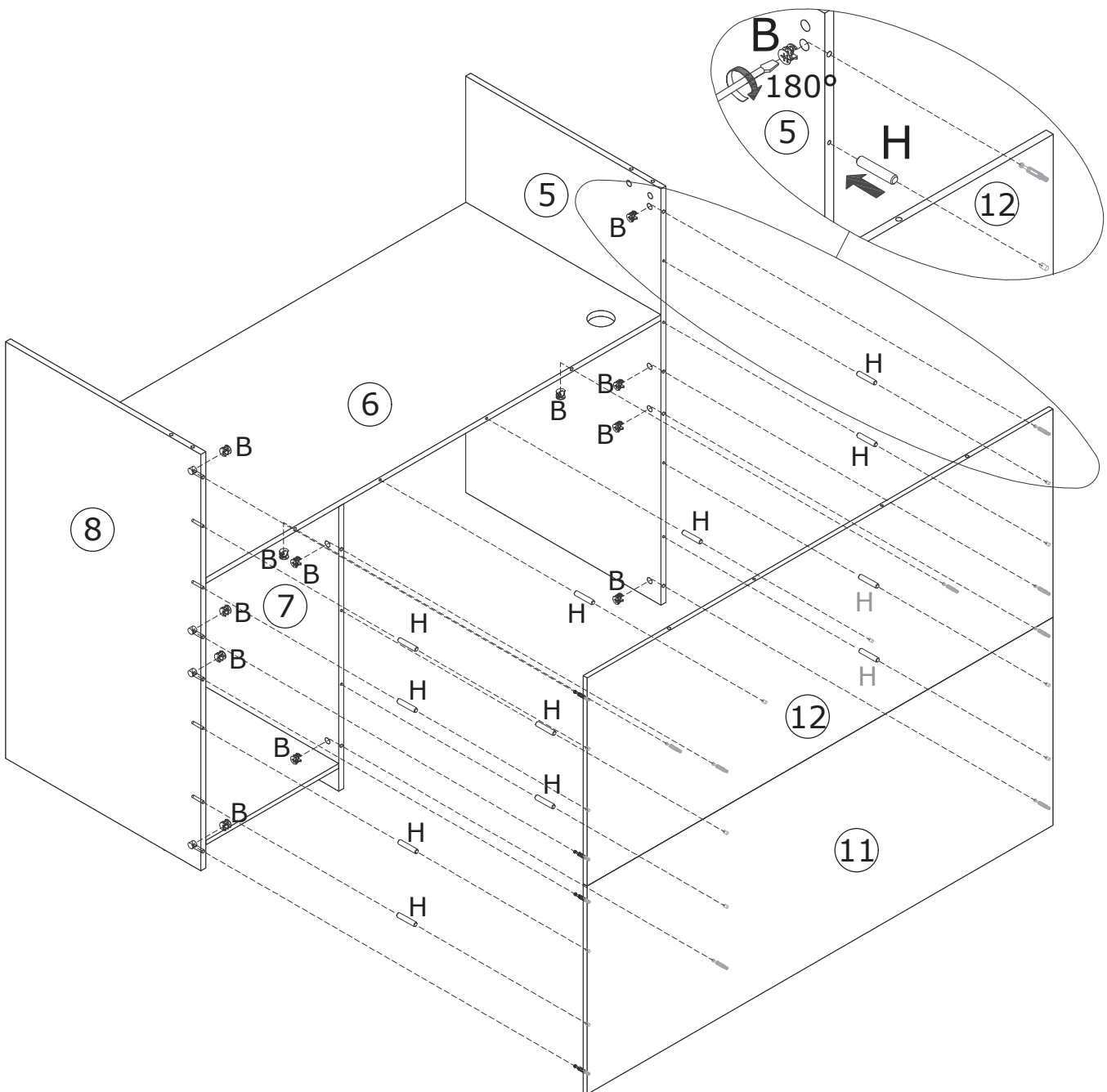
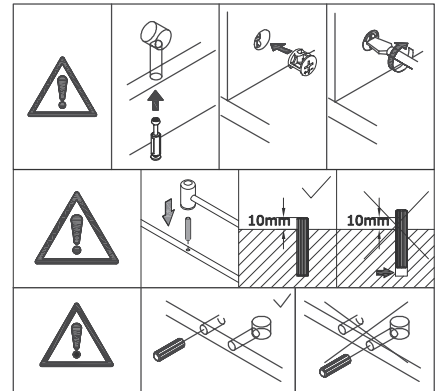
Connect plate 11 with plate 12 using wooden dowel(H) as shown.



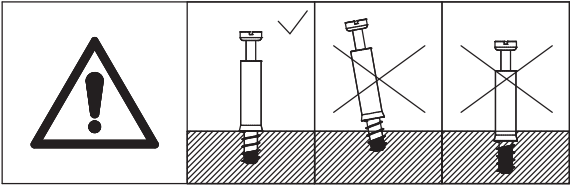
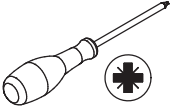
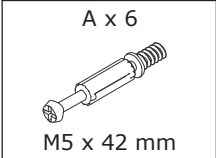
19



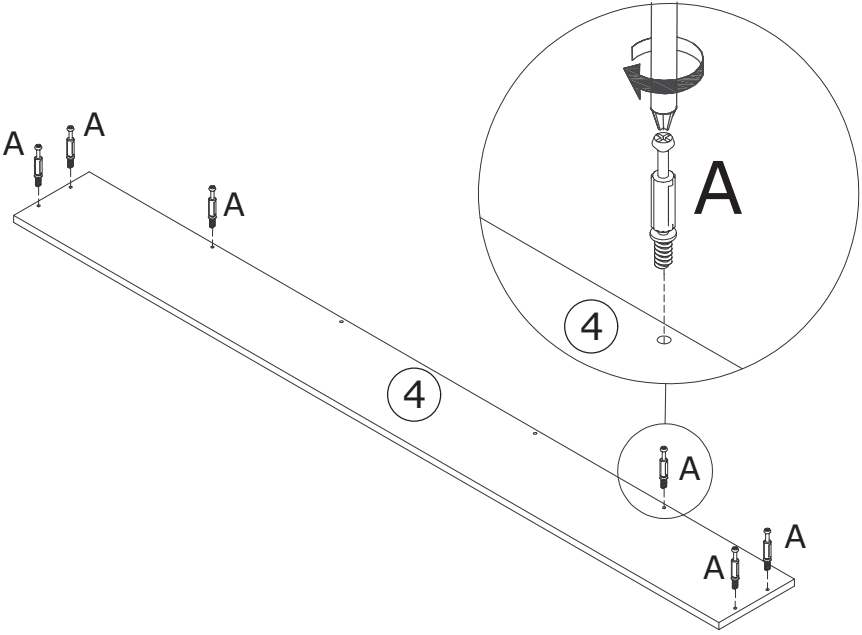
Fix back plates 12,11 with wooden dowel(H) and turn cam lock(B) clockwise to tighten as shown.




20



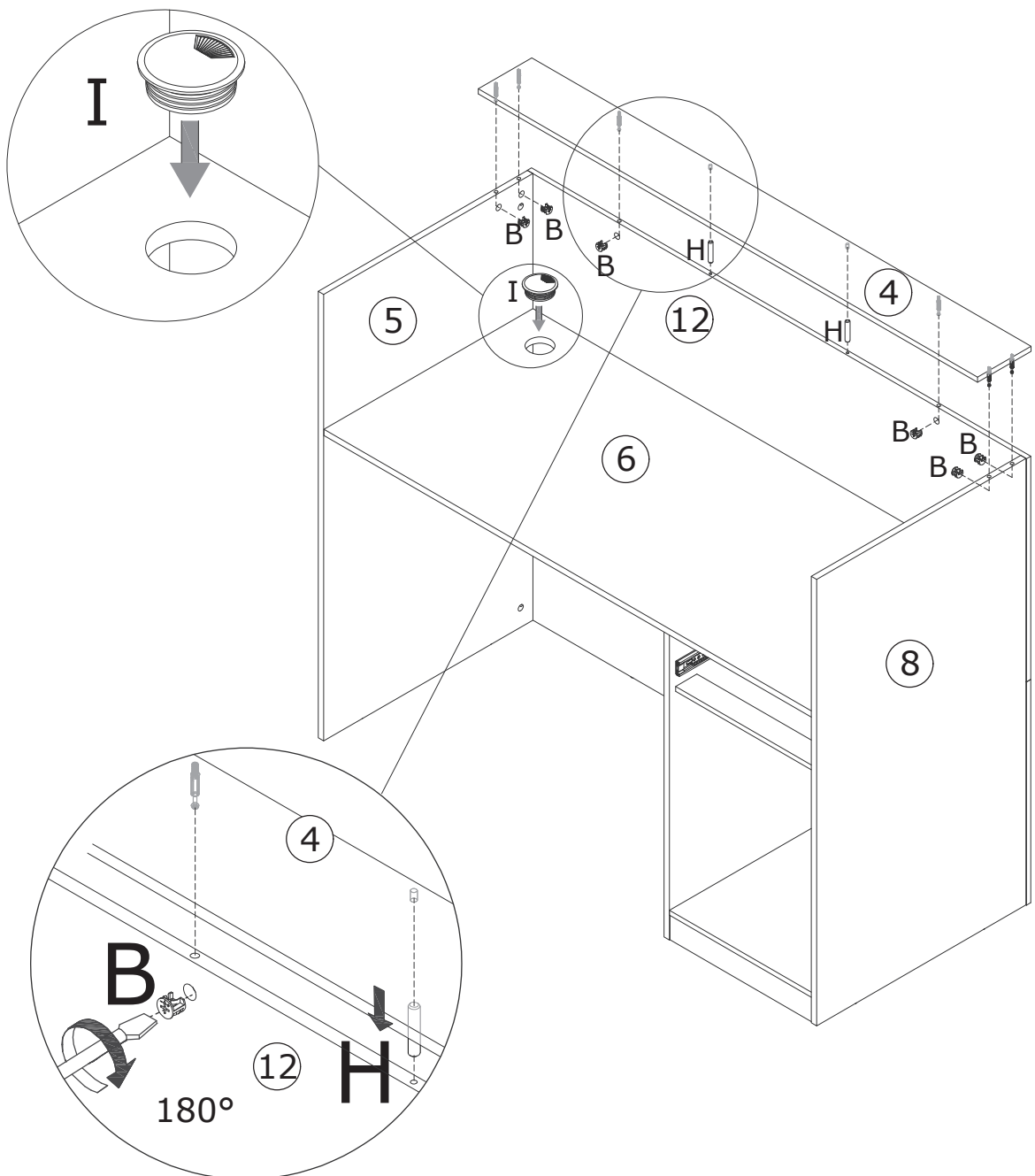
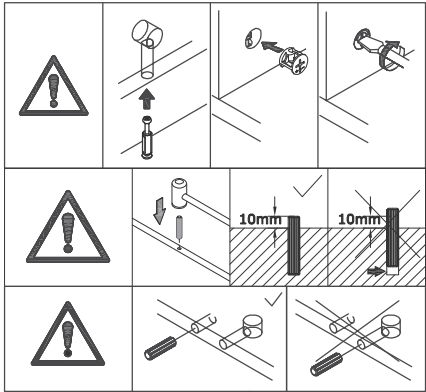
Insert quickfit screws(A) into corresponding holes in plate 4 with a screwdriver as shown.



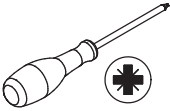
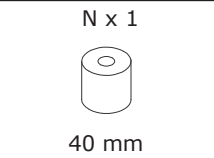
21

<p>B x 6</p>  <p>Ø 15 x 10 mm</p>	<p>H x 2</p>  <p>Ø 6 x 40 mm</p>	<p>I x 1</p>  <p>Ø 60 mm</p>	 
--	---	---	---

Attach plate 4 to plate 12 with wooden dowel(C) and turn cam lock(B) clockwise to tighten as shown. Put part(I) to the fixed position.

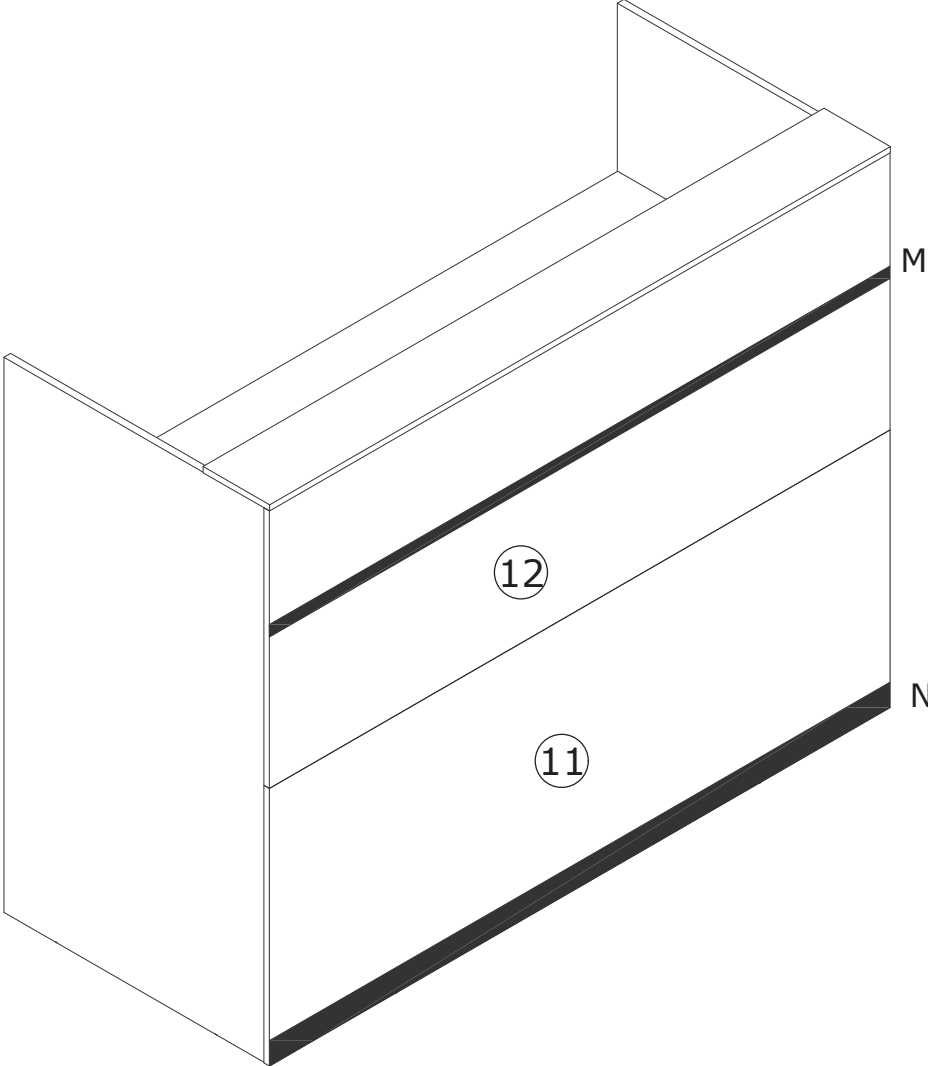


22





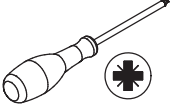


Stick strip(M,N) as you like.

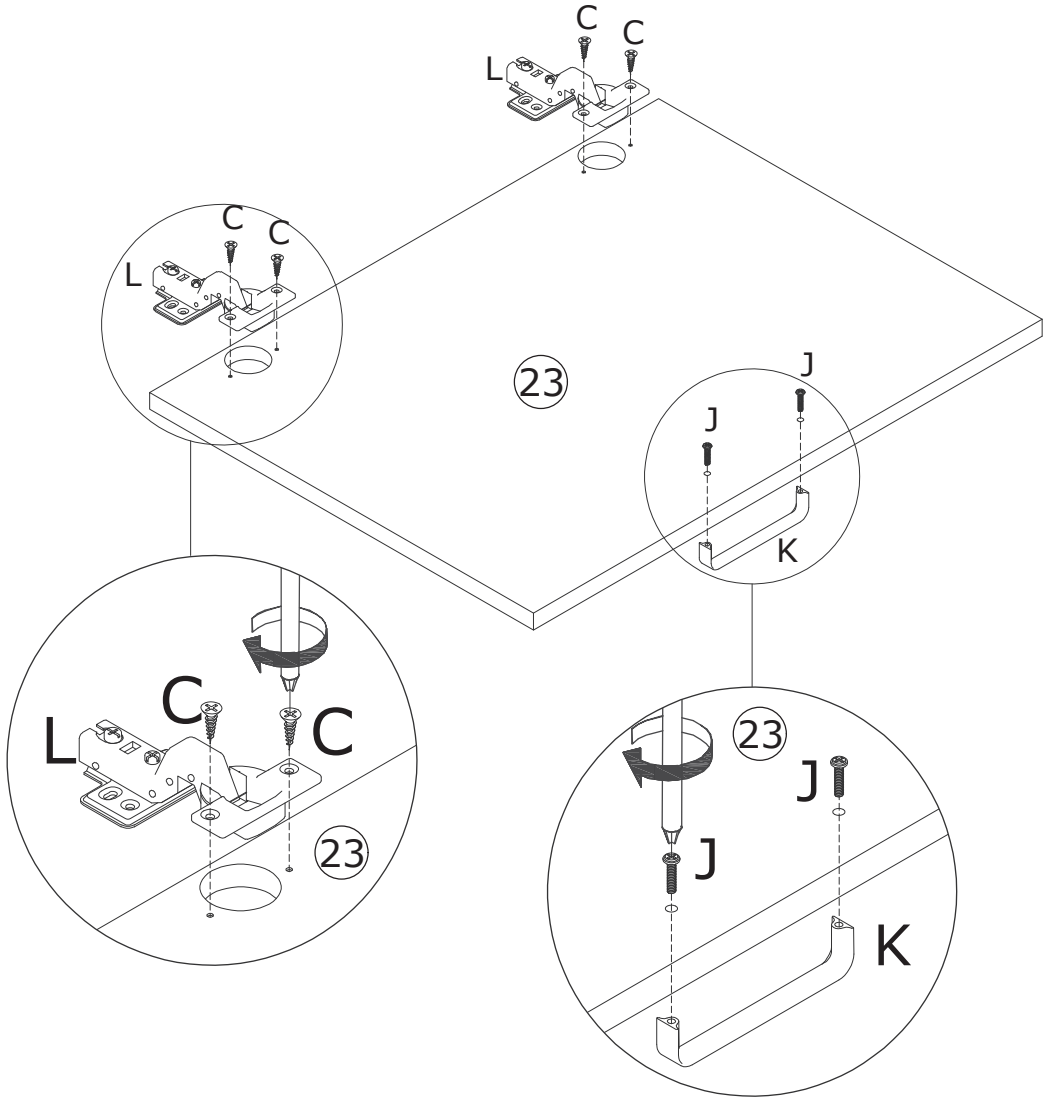
Tips:
Paste the decorative strip in a reasonable position. Attached picture for suggestion, you can adjust it according to your request.



23

C x 4  M3.5 x 14 mm	J x 2  M4 x 18 mm	K x 1 	L x 1 SET 	
--	--	--	---	---

Please don't use an electric screwdriver or use force to rotate, may cause crack.
Fix hinge(L) to plate 23 with screw(C) as shown.
Fix handle(K) to plate 23 with screw(J) as shown.

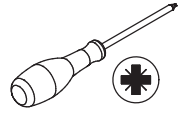


24

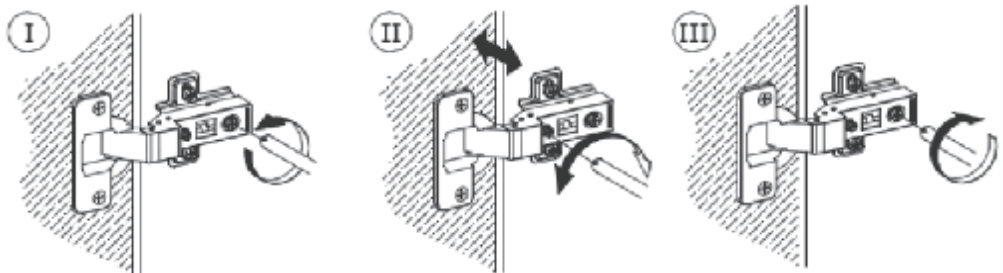
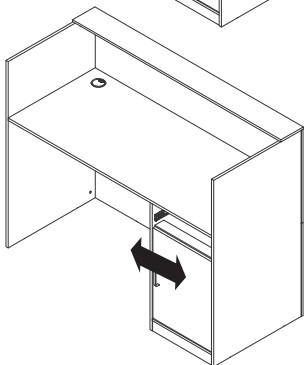
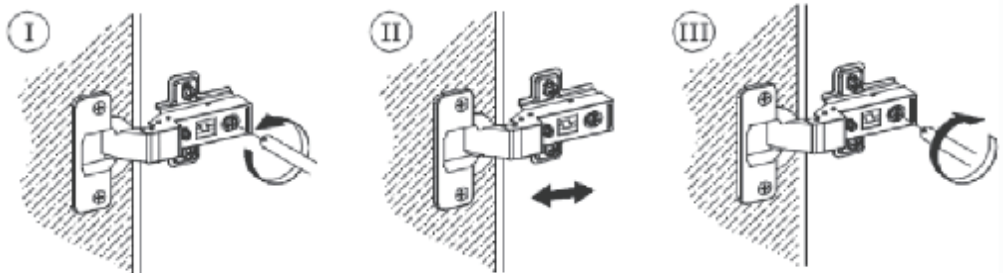
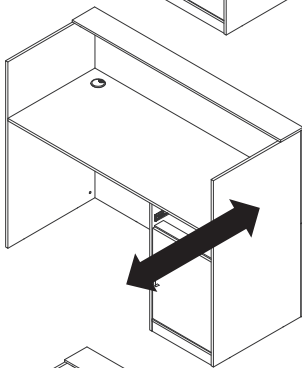
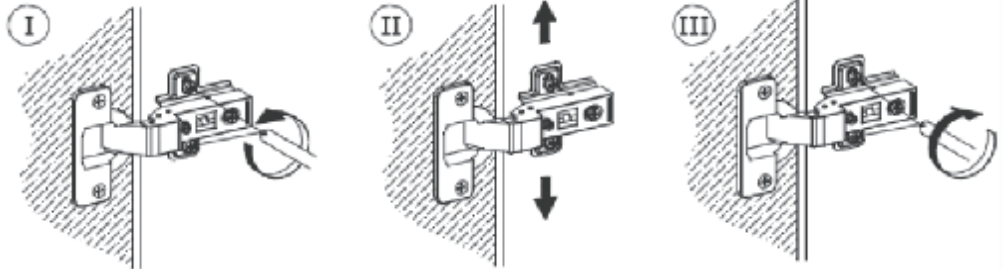
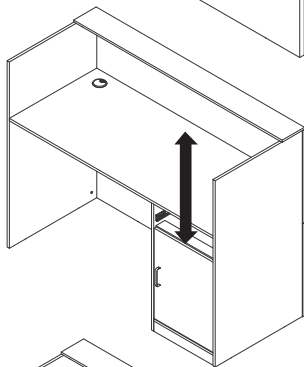
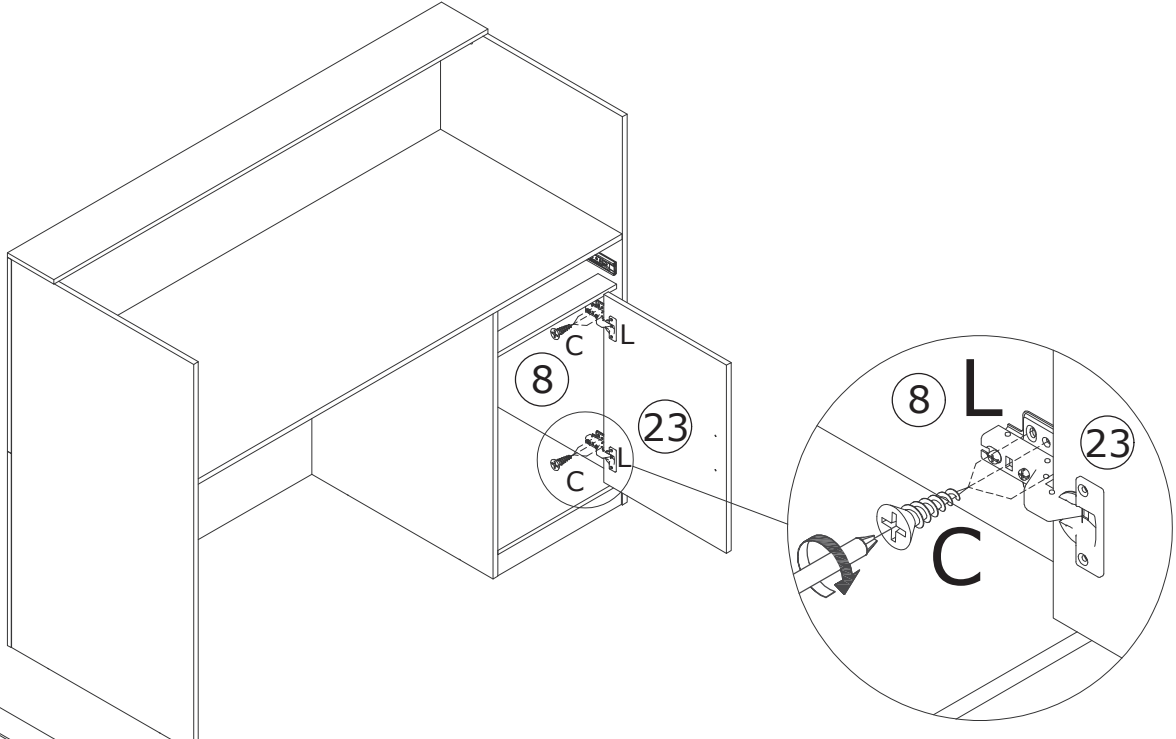
C x 8



M3.5 x 14 mm



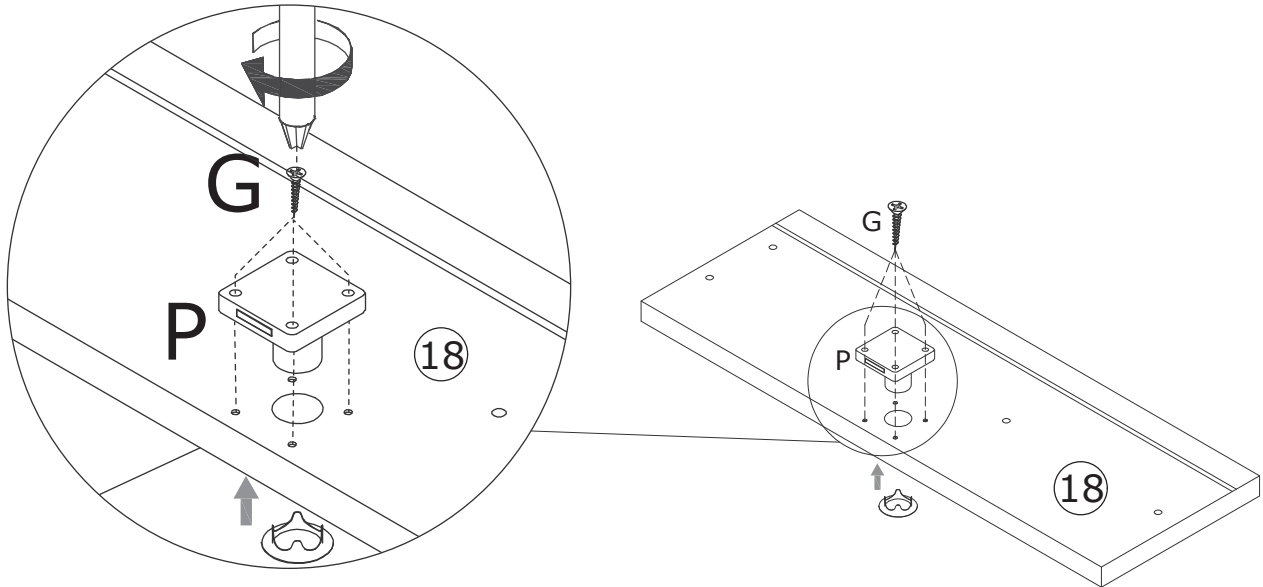
Please don't use an electric screwdriver or use force to rotate, may cause crack.
Attach plate 23 to plate 8 by fixing hinge with screw(C) as shown.



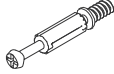

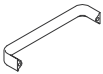
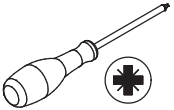
25

<p>G x 4</p>  <p>M3 x 18 mm</p>	<p>P x 1</p> 	
--	--	---

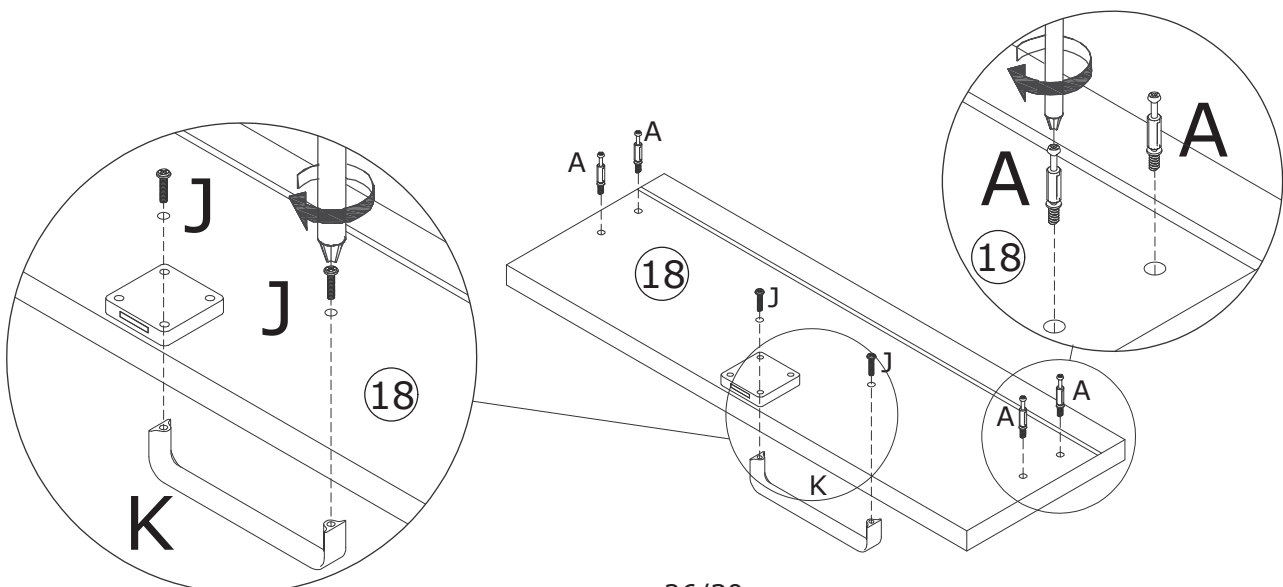
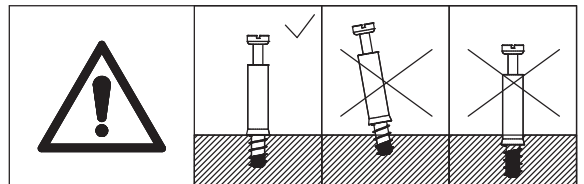
Fix part(P) to plate 18 with screw(G) as shown.



26

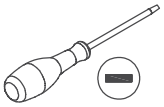
<p>A x 4</p>  <p>M5 x 42 mm</p>	<p>J x 2</p>  <p>M4 x 18 mm</p>	<p>K x 1</p> 	
--	--	--	---

Insert quickfit screw(A) into plate 18 with a screwdriver as shown.
Fix handle(K) to plate 18 with screw(J) as shown.

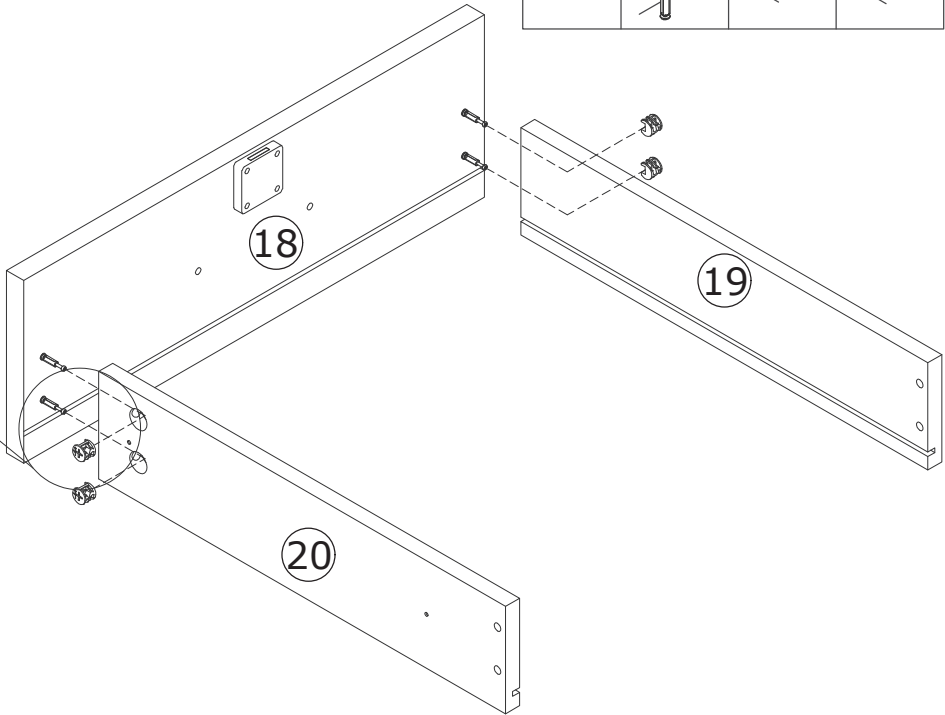
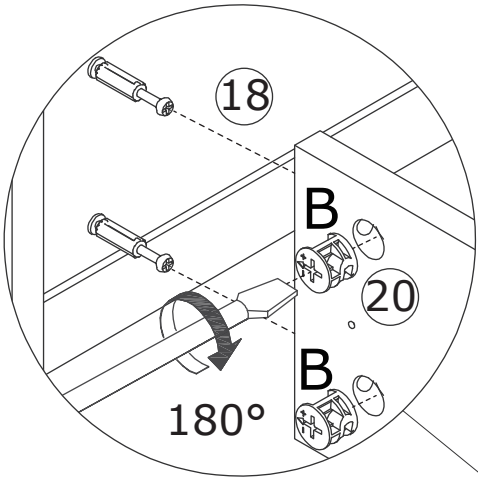
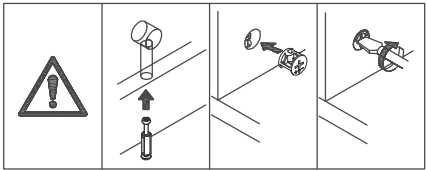


27

B x 4
Ø 15 x 10 mm

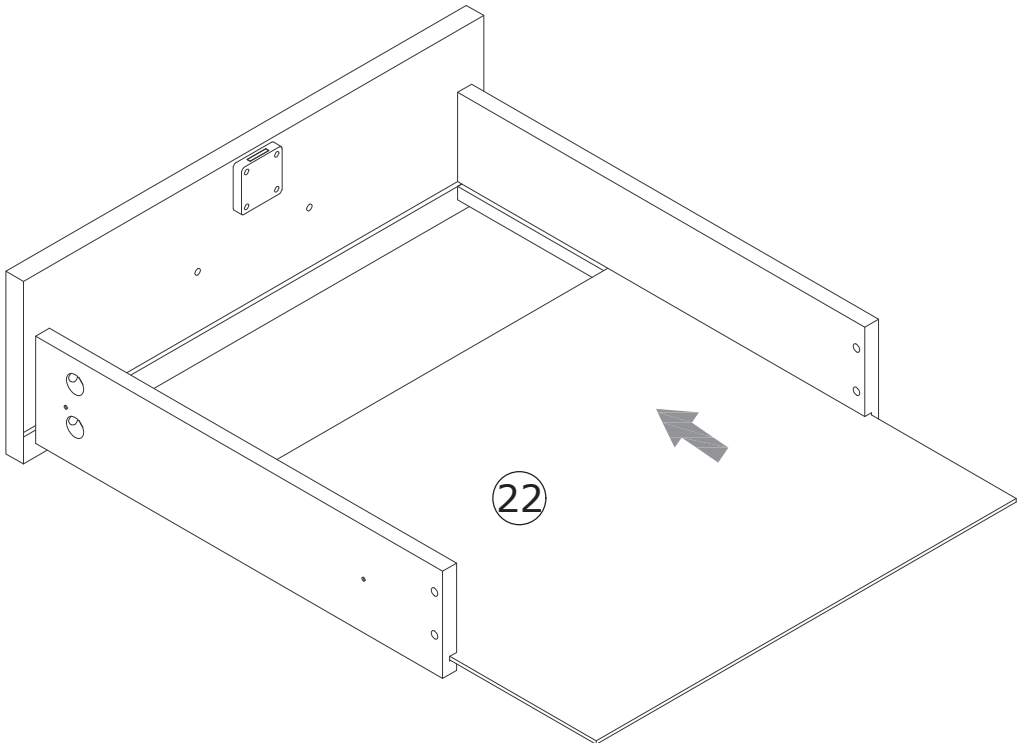


Attach plate 19,20 to plate 18 and turn cam locks(B) clockwise to tighten as shown.

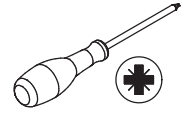
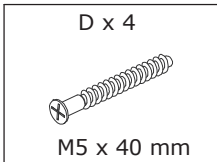


28

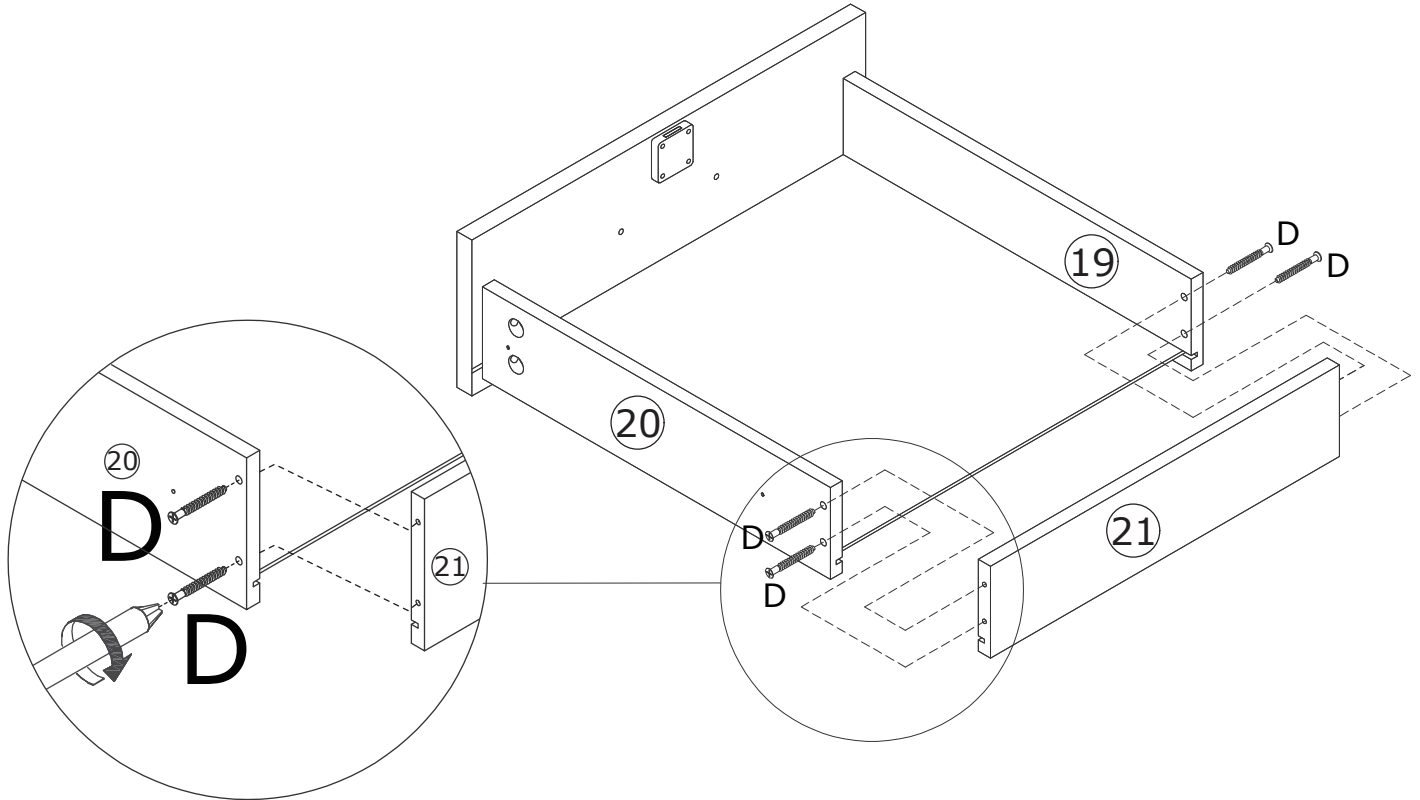
Slide plate 22 into available slots as shown.



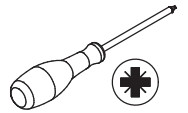
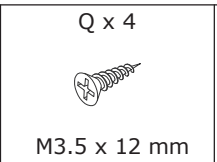
29



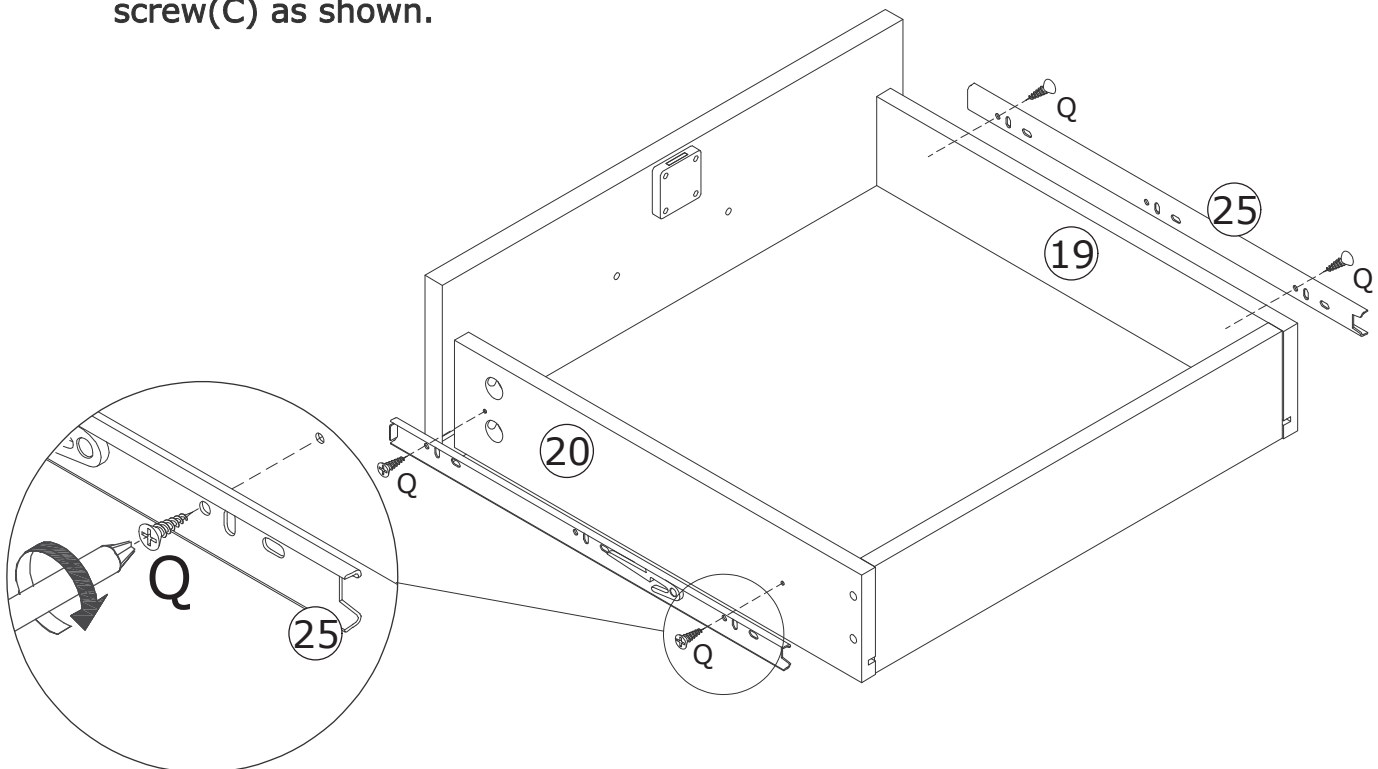
Attach plate 21 to plate 19,20 with screw(D) as shown.



30

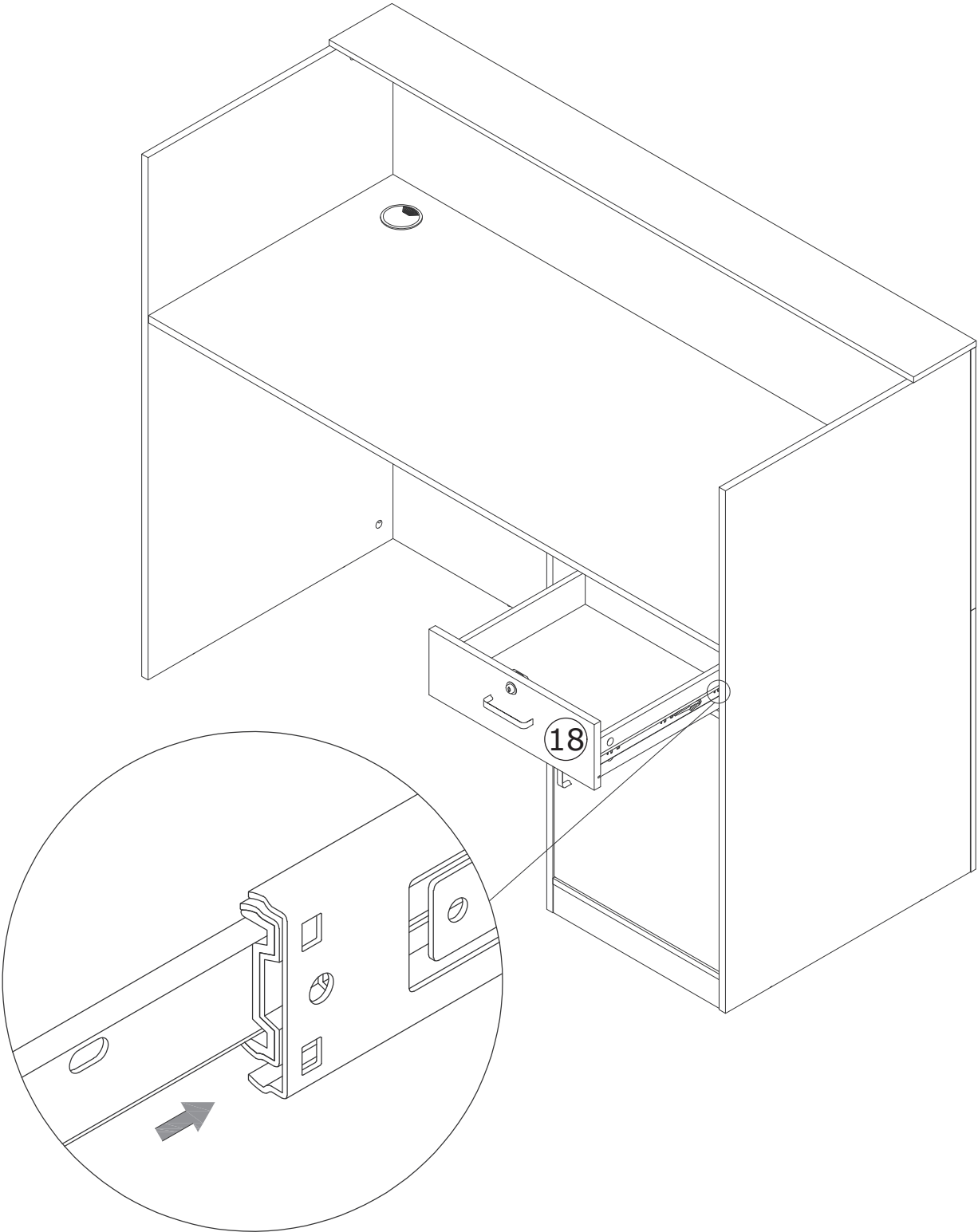


Fix runner 25 to plate 19,20 with screw(Q) as shown.



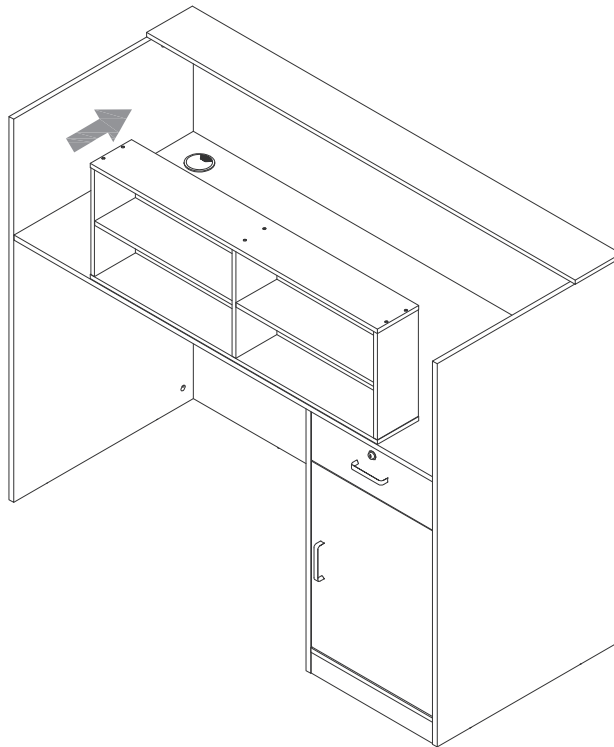
31

Align rails, slide the drawer.



32

Put the shelf case on the top.

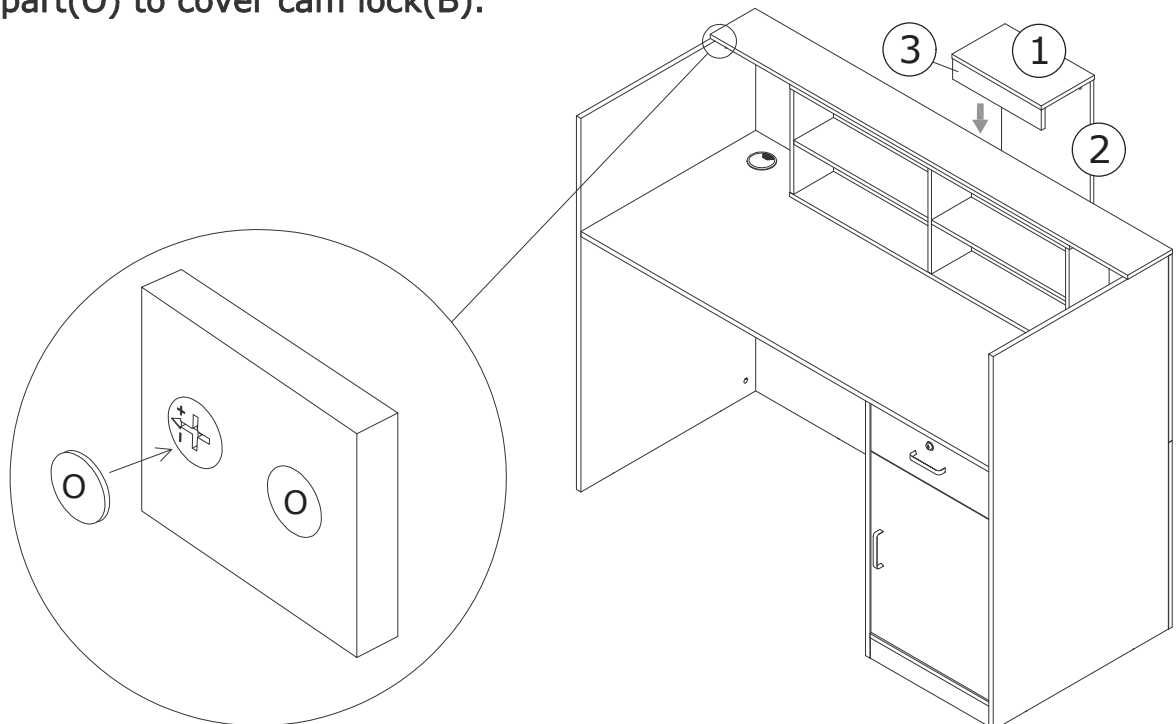


33

O x 16



Use part(O) to cover cam lock(B).



WARRANTY

WARRANTY CLAIMS

- There is a 30-day warranty for broken furniture or any other problems that do not work properly. The warranty will start from the date of purchase which must be verified by proof of purchase.
- Before making a claim, we may be able to answer your query, simply call us. Please leave your purchase order number, along with some details of the problem, if you want a replacement part. We will arrange within 48 hours. If there is out of stock, we will reply with a shipping date.
- The product must be used in accordance with the instructions provided. For health reasons.
- For other reasons, if the furniture needs to be returned, it must be cleaned and dried and operated within 30 days of receipt.

Type of Warranty Claim

- Failure to follow the furniture instructions will invalidate the warranty. Attention please.
- Does not include damage during installation, but includes damage during transportation.

Scope of responsibility

- Shall not bear any responsibility for misuse or user damage and / or loss of parts during the installation of furniture.
- After using, the damage and scratches of the furniture are not covered by the warranty.

The Warranty Relates to All Bought in The Us and Covers The Following Areas

- Sheet parts: 1 month from the date of purchase.
- Electrical parts: 1 month from the date of purchase.

RETURNS

CHANGED YOUR MIND AND NEED TO RETURN YOU ITEM?

PLEASE FOLLOW THE BELOW INSTRUCTIONS:

- If you have purchased and have simply changed your mind, follow the retailer's instructions for returns.

DEFECTIVE ITEMS

- If your item is defective in any way, i.e. it doesn't work but you can't identify why, in the first instance, please call us.

DAMAGED ITEMS

- If you receive an order with obvious shipping damage from the retailer, then we suggest the delivery is refused. If the delivery has been accepted and then shipping damage is found, please follow the specific instructions advised by the retailer.
In all circumstances please save all packaging material and paperwork for the order. Please be aware that if you dispose of packaging material or attempt to return the merchandise without contacting the fulfiller, you jeopardise your chances of making a claim, and you may not receive a credit for the return.