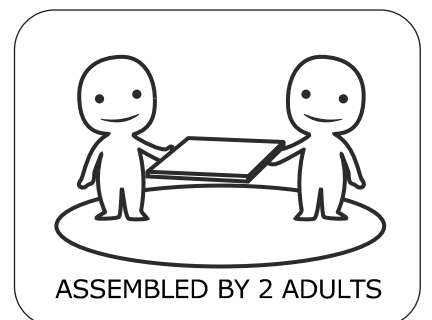
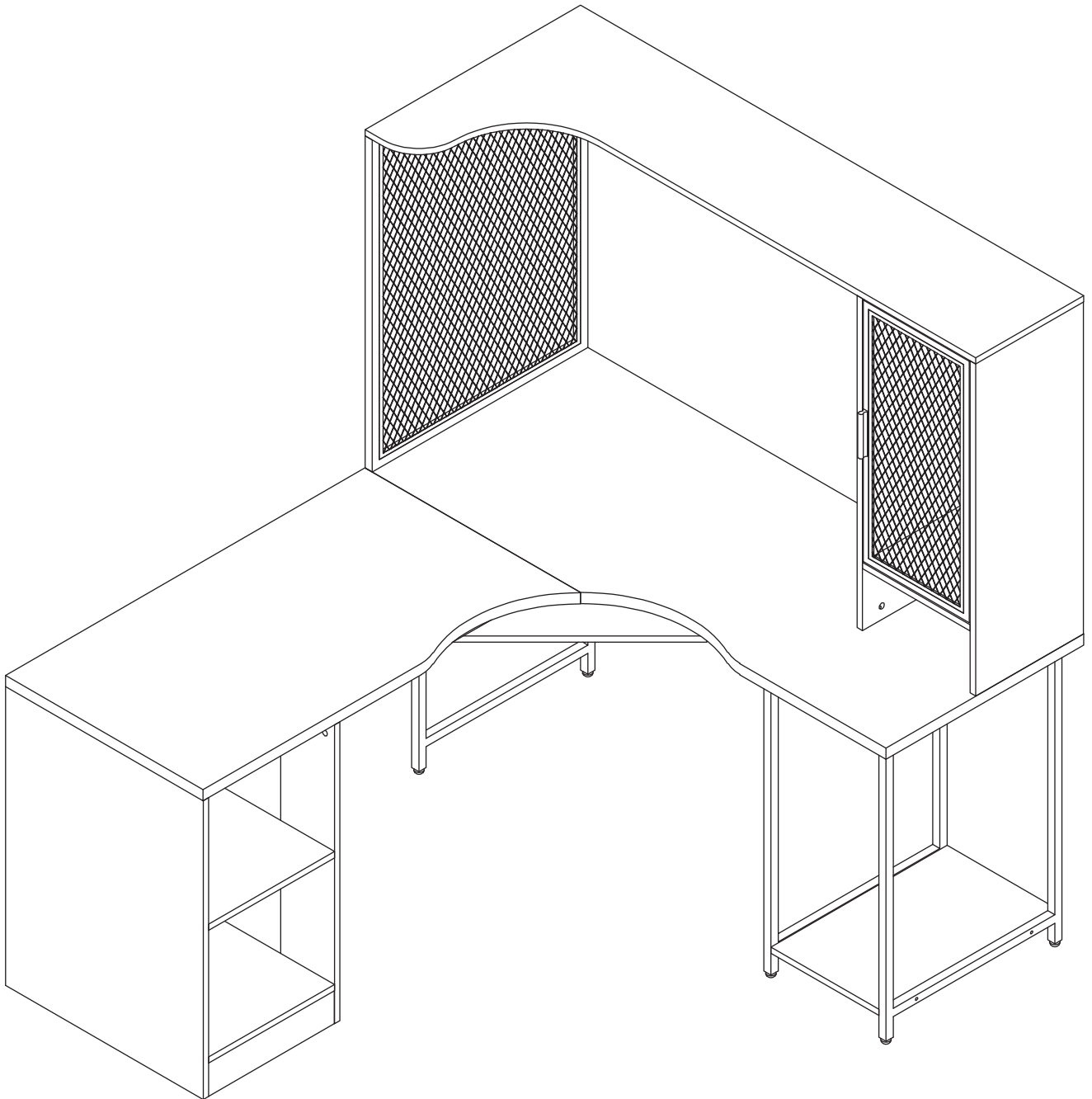
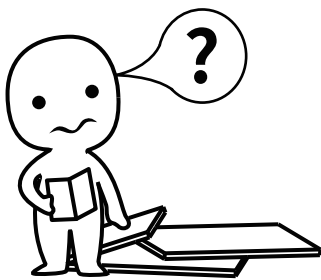


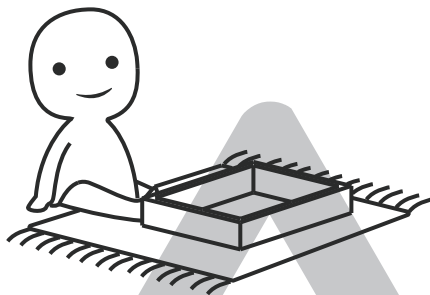
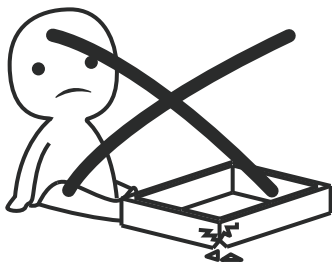
Desk





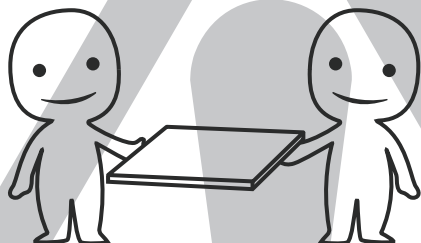
IMPORTANT INFORMATION!

please read the entire manual before starting to assemble and/or using this product. follow the manual thoroughly and keep it for further reference.



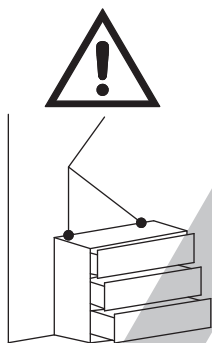
AVOID SCRATCHES!

In order to avoid scratching this furniture should be assembled on a soft layer - could be a rug.



IMPROVE EFFICIENCY !

Try to find a partner to install with you, which can speed up the installation efficiency and shorten the time.



ANTI-TOPPLE WARNING !

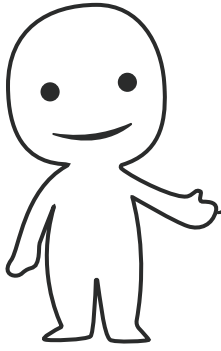
Overturned furniture can cause serious or fatal crush injuries. To prevent tipping over, be sure to use the wall attachment, if not included with this product. Please purchase the wall attachment that fit your wall. If unsure, seek professional advice. Please read and follow each step of the instructions carefully.

IMPORTANT !

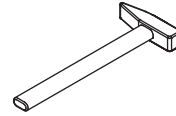
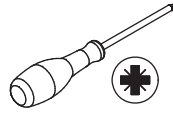
It is important that any product which is assembled using any kind of screw is re-tightened 2 weeks after assembly, and once every 3 months - in order to assure stability through-out the lifespan of the product.

For regular maintenance and cleaning of the product, for the frame, please use a rag dipped in neutral detergent to fully wipe it, and then dry it with a clean rag. For glass materials, wipe with a rag dampened with water glass cleaner, and then dry with a dry rag.

Do not use an electric screwdriver, and do not use too much force when installing, because the board is easy to break.

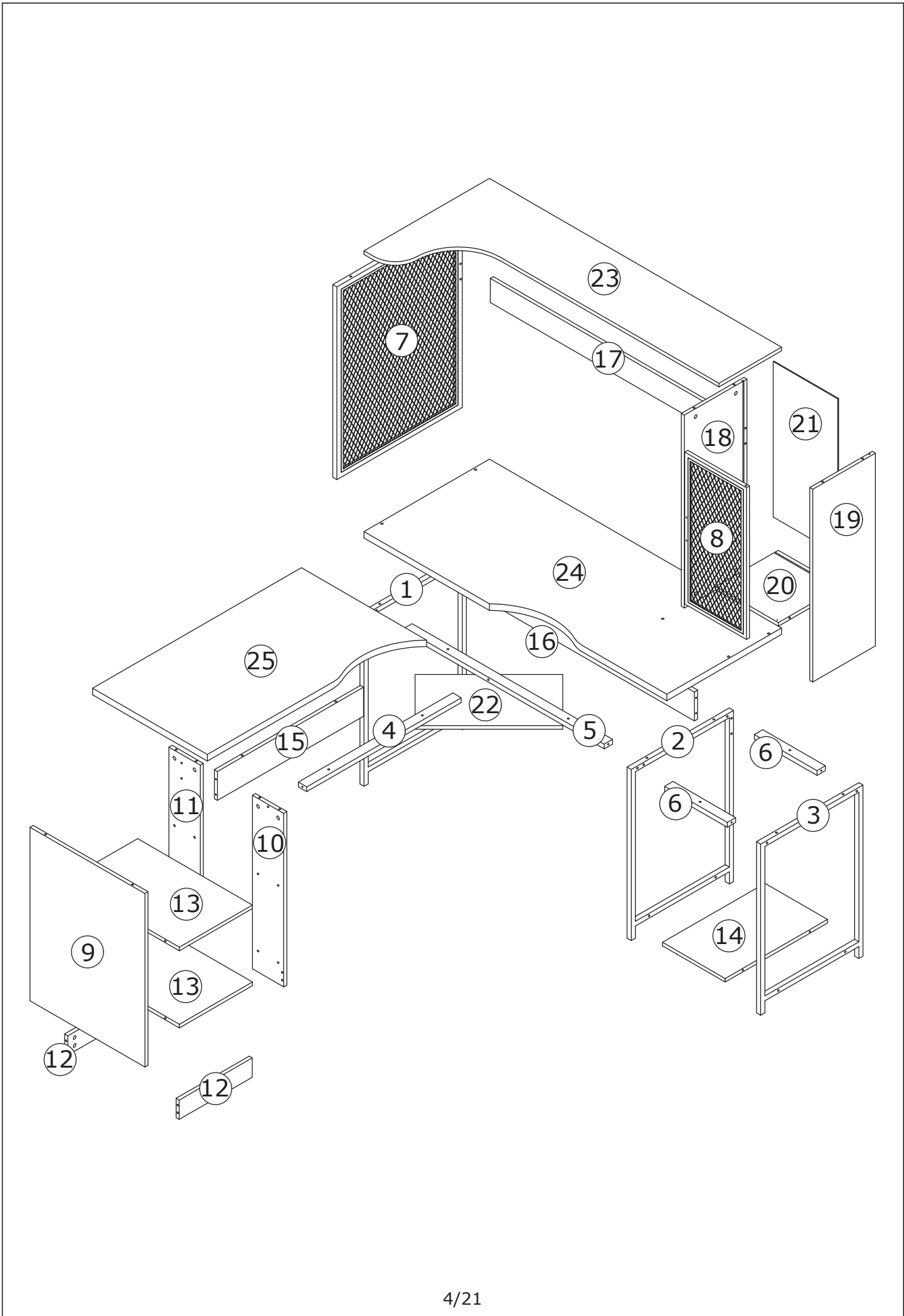


Please prepare the following tools



When installing, please carefully confirm whether each screw corresponds to the manual, accessories with similar shapes can be distinguished by size

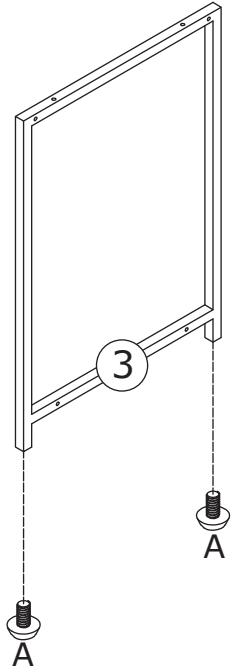
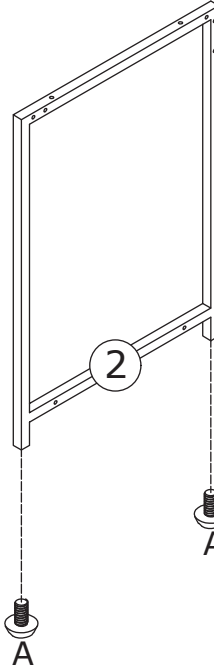
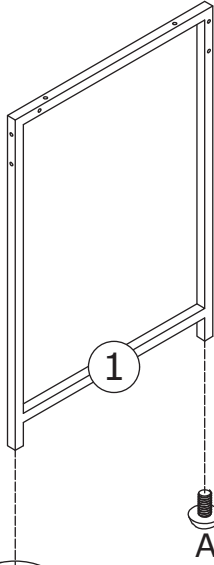
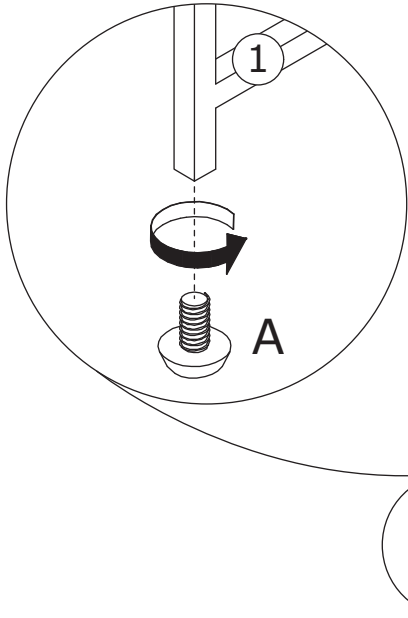
A x 6  M8 x 25 mm	B x 12  M7 x 48 mm	C x 6  M6 x 35 mm	D x 42  M6 x 40 mm	E x 42  Ø 15 x 12 mm
F x 6 	G x 4  M7 x 38 mm	H x 17  M6 x 30 mm	I x 1  M6 x 60 mm	J x 12  Ø 3.5 x 14 mm
K x 1 	L x 2  M4 x 18 mm	M x 2 	N x 1 	O x 4  M4 x 6 mm
P x 4  M4 mm	Q x 2  12"	R x 4  M6 x 10 mm	S x 6 	T x 4 
U x 4 	V  TOOL			



1

A x 6
M8 x 25 mm

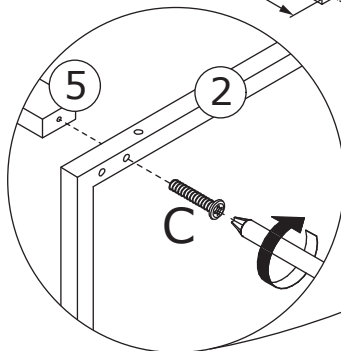
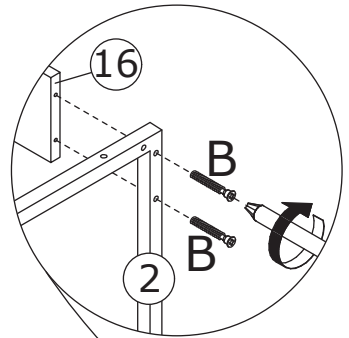
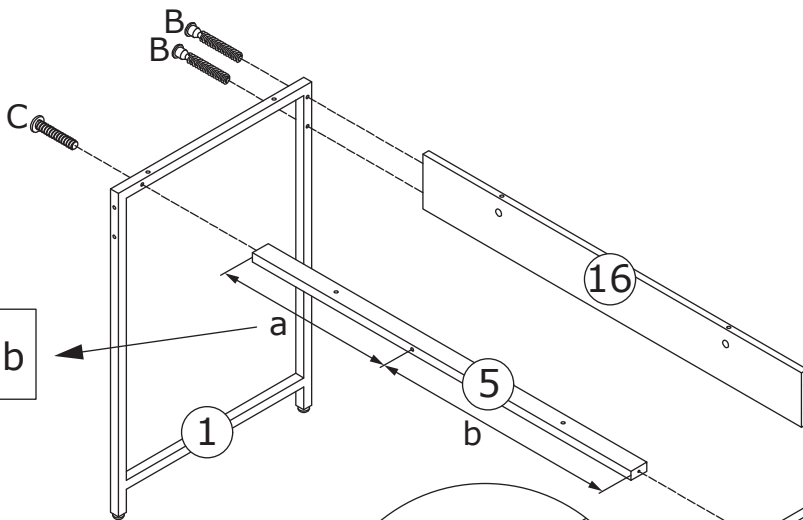
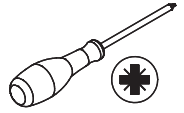
Rotate foot adjustment part(A)
into part 1, 2 and 3 as shown.



2

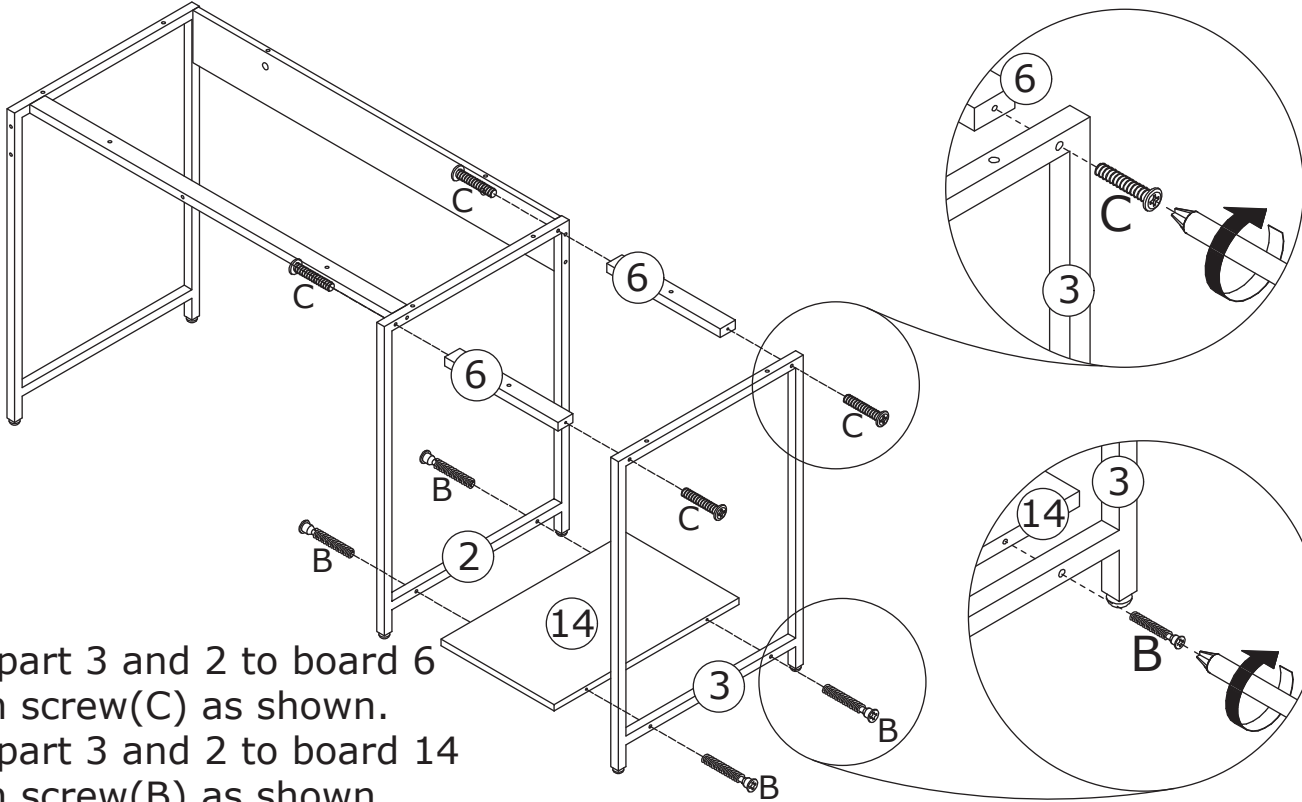
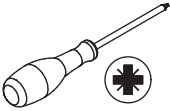
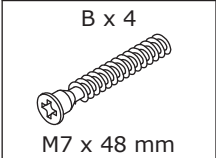
B x 4
M7 x 48 mm

C x 2
M6 x 35 mm



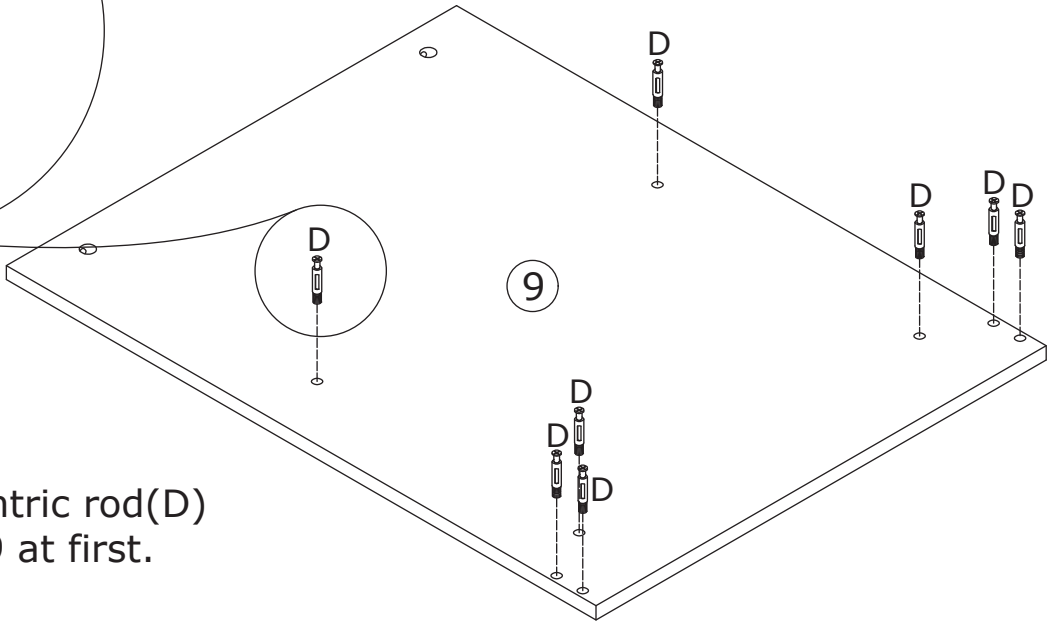
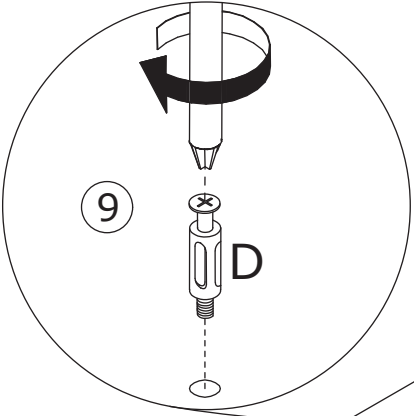
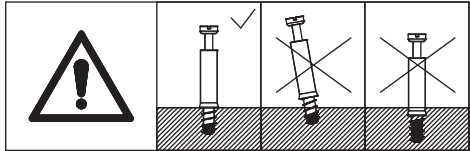
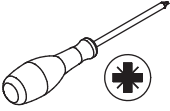
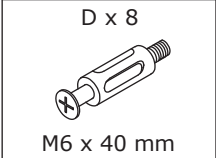
Fix part 1 and 2 to board 5
with screw(C) as shown.
Fix part 1 and 2 to board
16 with screw(B) as shown.

3



Fix part 3 and 2 to board 6 with screw(C) as shown.
Fix part 3 and 2 to board 14 with screw(B) as shown.

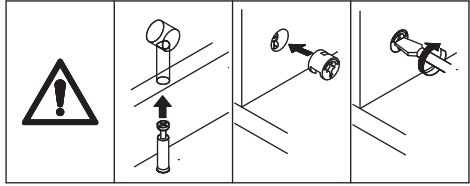
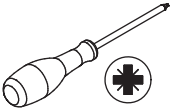
4



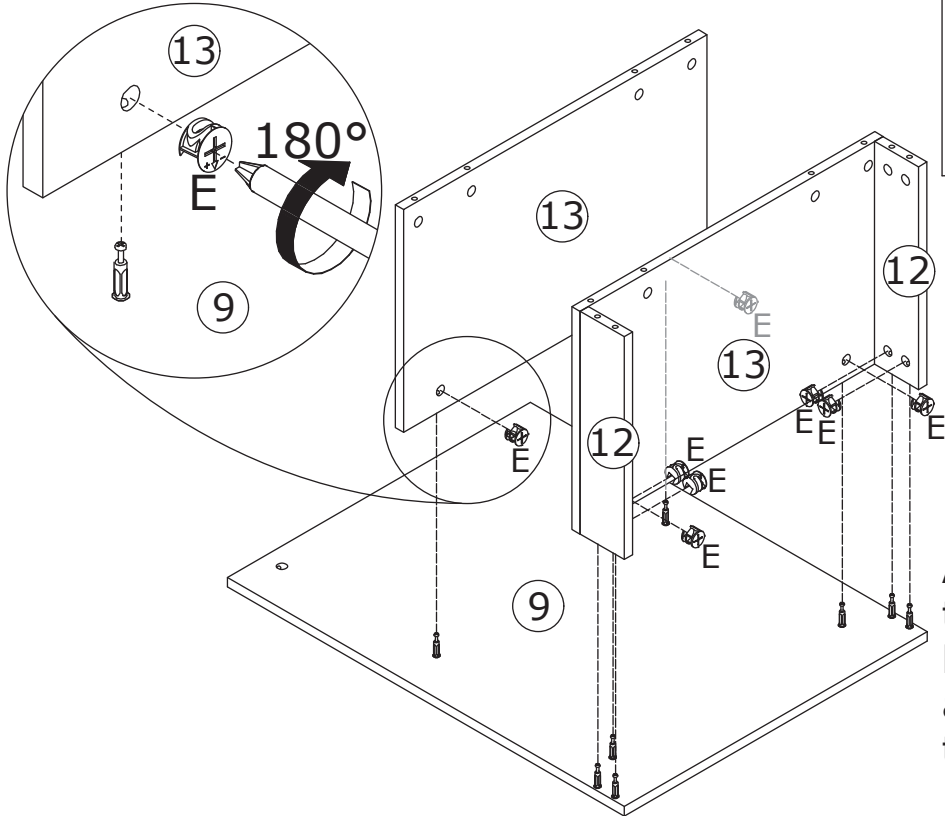
Screw eccentric rod(D) into board 9 at first.

5

E x 8
Ø15 x 12 mm

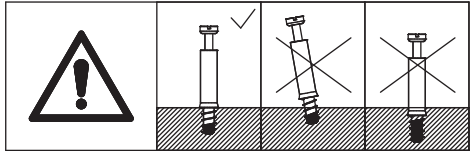
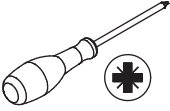


Attach board 12 and 13 to board 9, add cam lock(E) into board 12,13 and turn clockwise to tighten as shown.

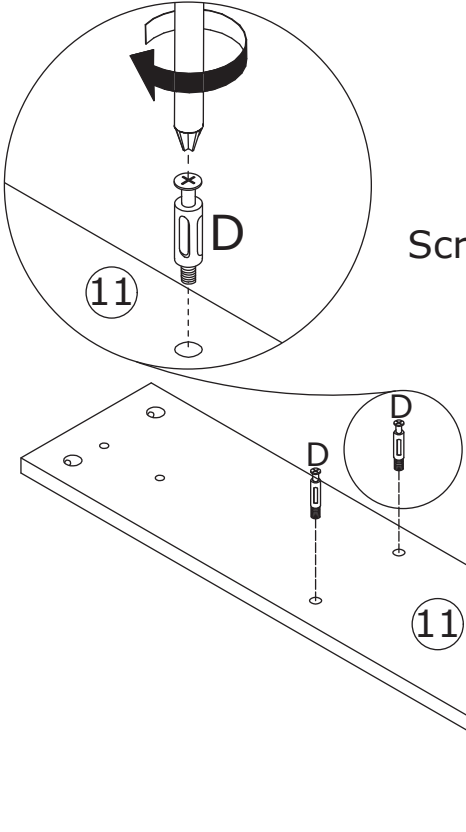


6

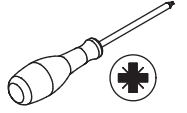
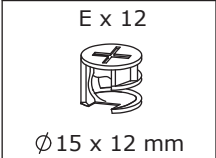
D x 12
M6 x 40 mm



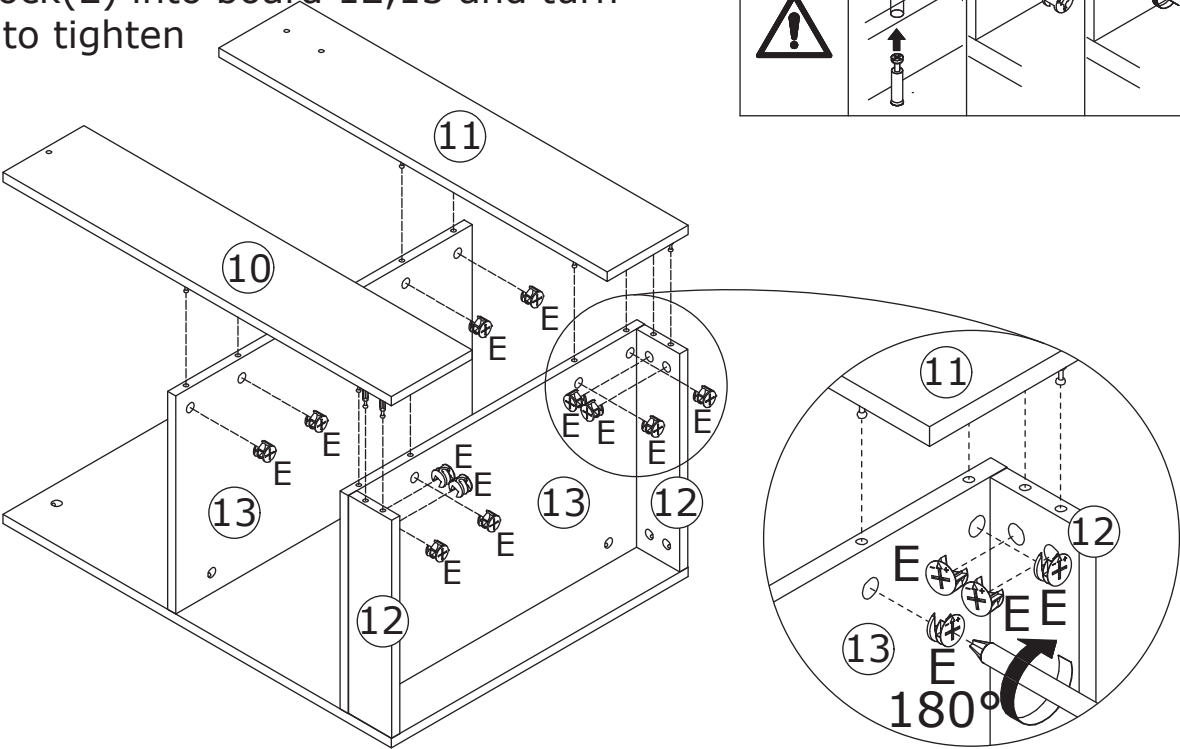
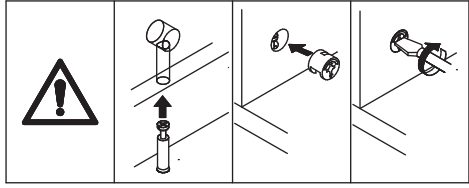
Screw eccentric rod(D) into board 10 and 11 at first.



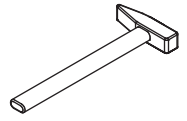
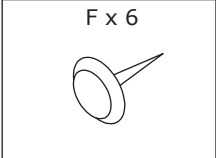
7



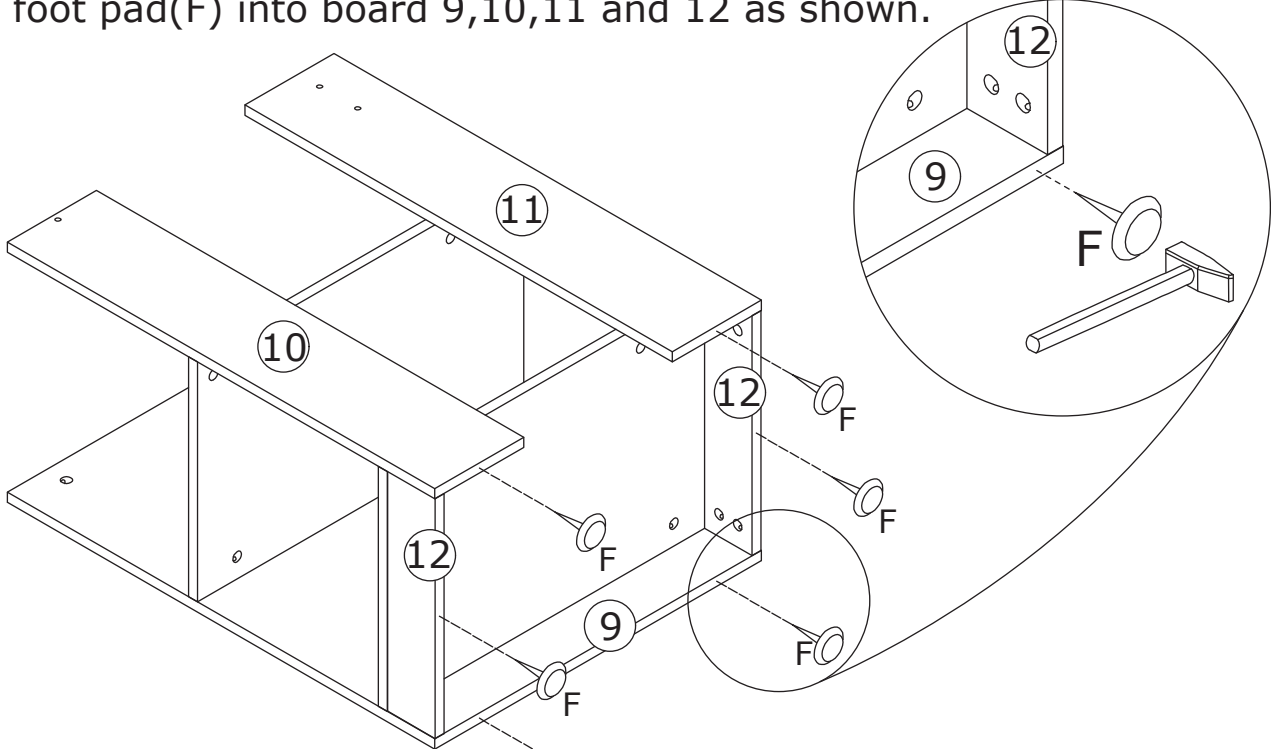
Attach board 10 and 11 to board 12 and 13, add cam lock(E) into board 12,13 and turn clockwise to tighten as shown.



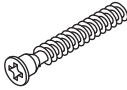
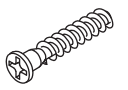

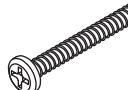
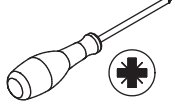
8

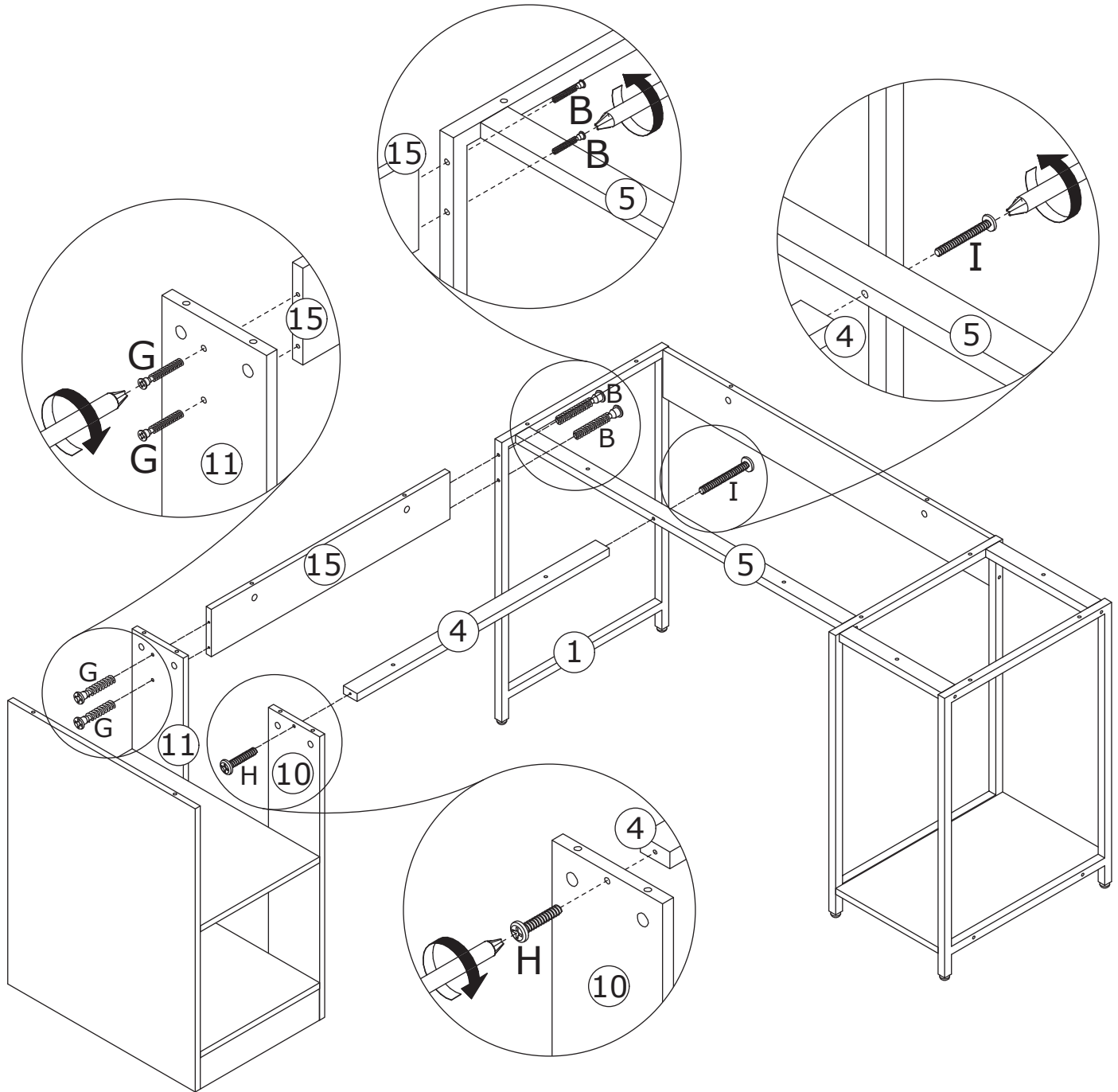


Knock foot pad(F) into board 9,10,11 and 12 as shown.



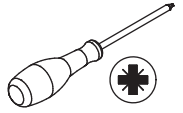
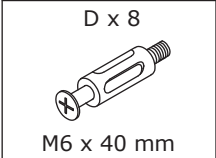
9

<p>B x 2 M7 x 48 mm</p> 	<p>G x 2 M7 x 38 mm</p> 	<p>H x 1 M6 x 30 mm</p> 	<p>I x 1 M6 x 60 mm</p> 	
---	---	---	--	---

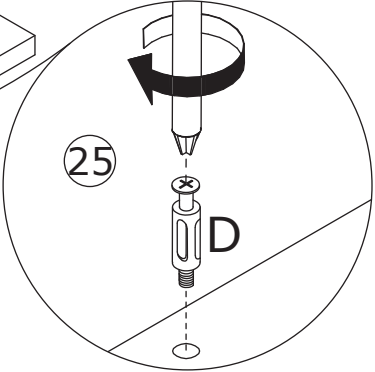
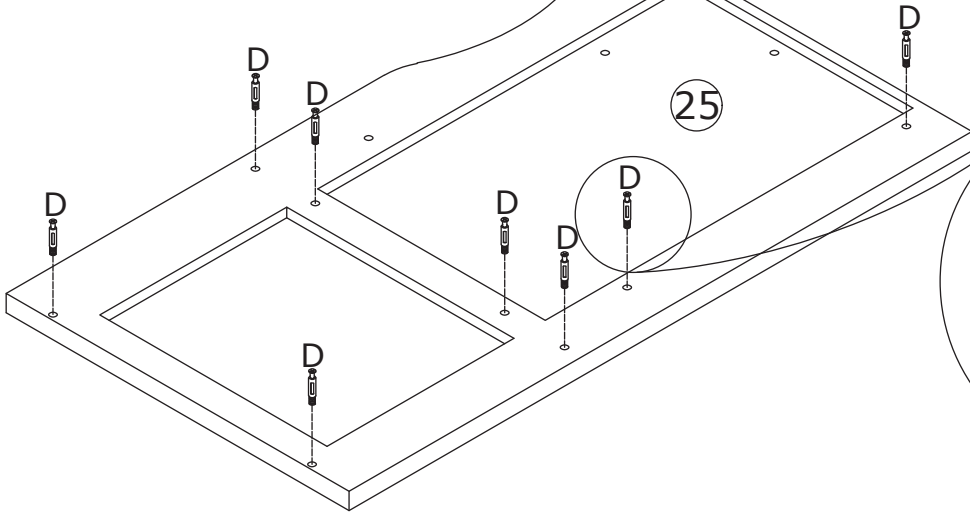
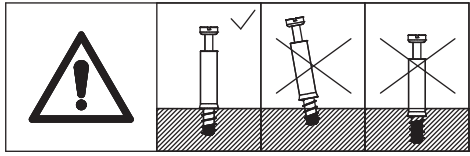


Fix board 4 to board 5 with screw(I) as shown.
Fix board 15 to part 1 with screw(B) as shown.
Fix board 11 to board 15 with screw(G) as shown.
Fix board 10 to board 4 with screw(H) as shown.

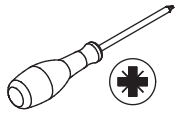
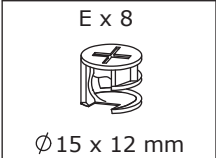
10



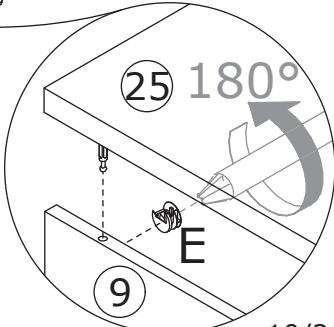
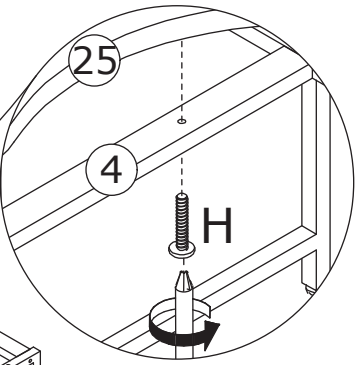
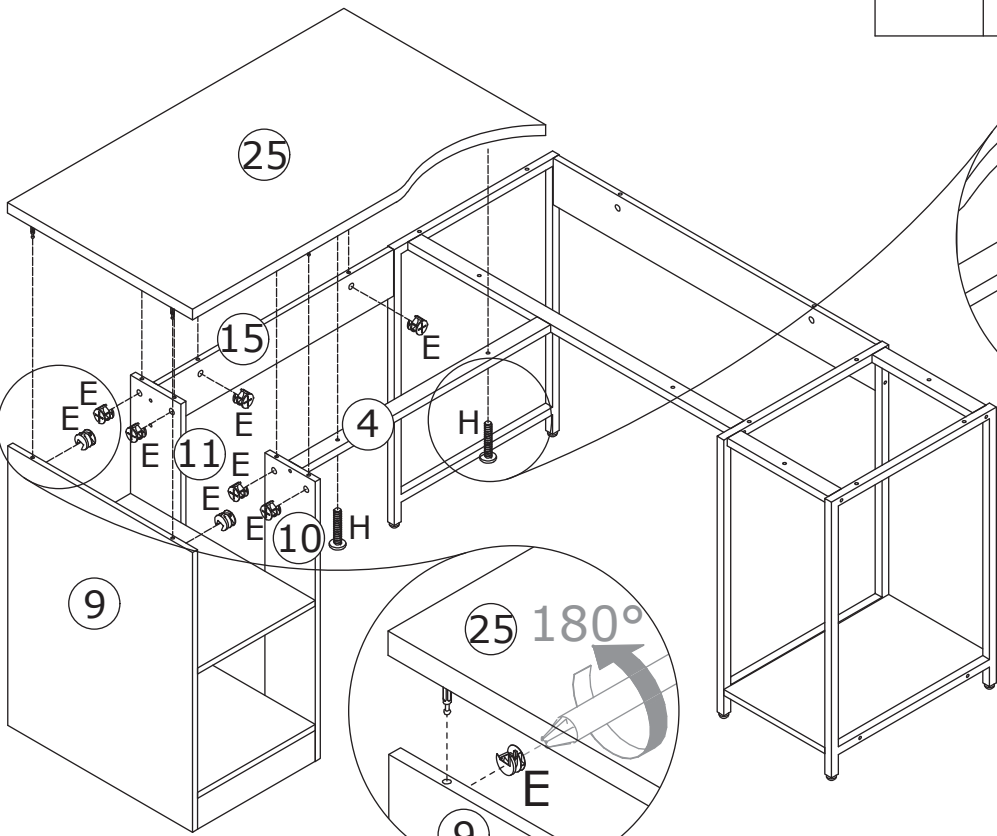
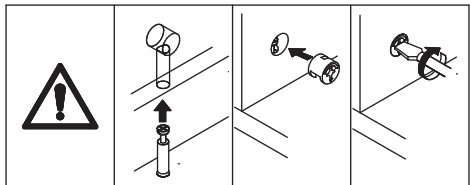
Screw eccentric rod(D)
into board 25 at first.



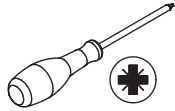
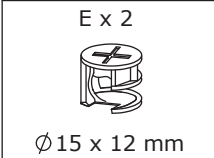
11



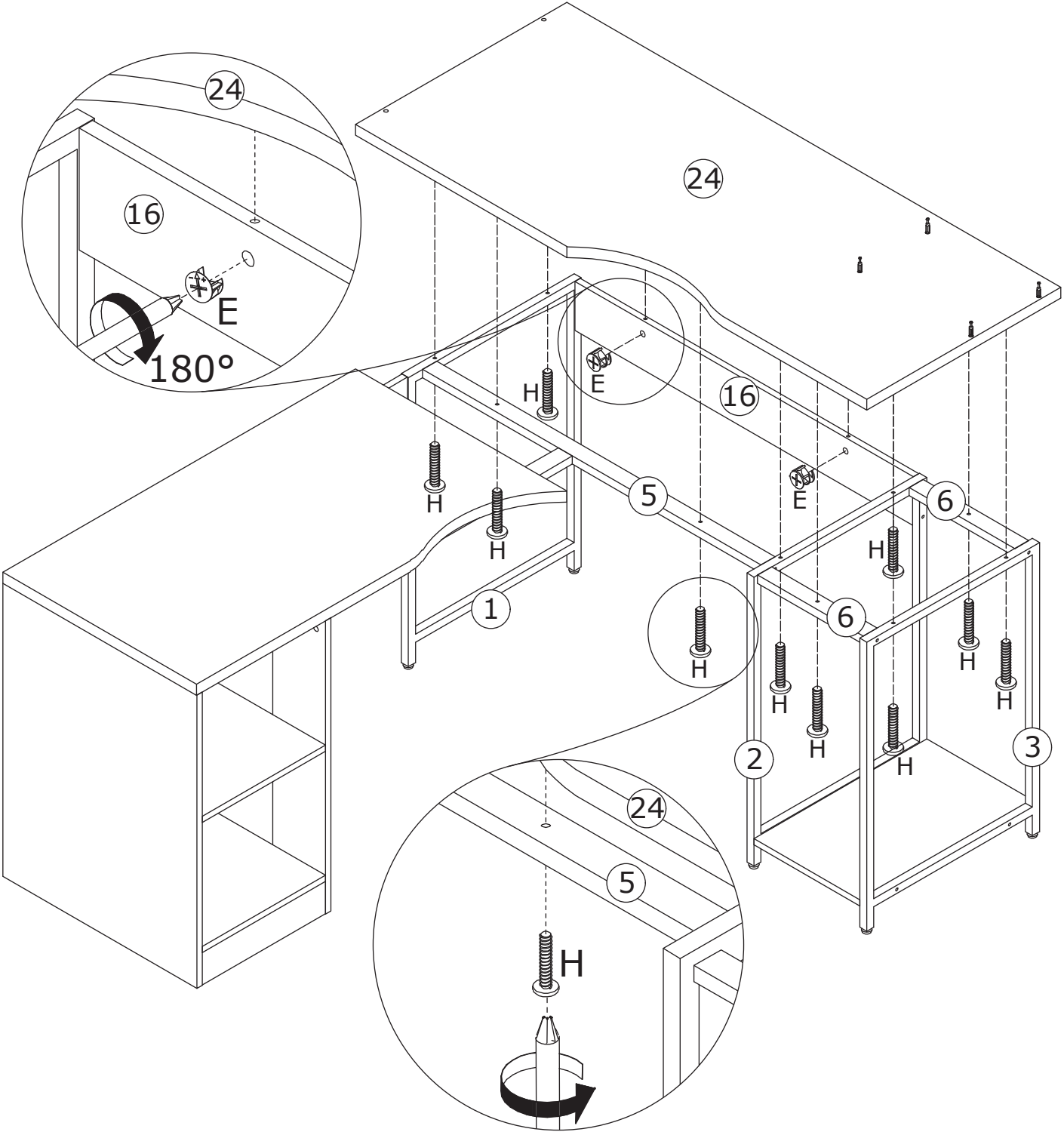
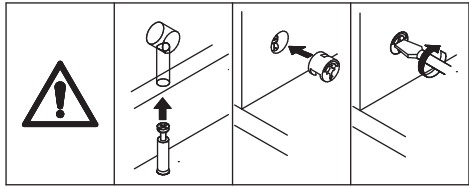
Cover board 25 to the top, add cam lock(E) into
and turn clockwise to tighten as shown.
Fix board 25 to board 4 with screw(H) as shown.



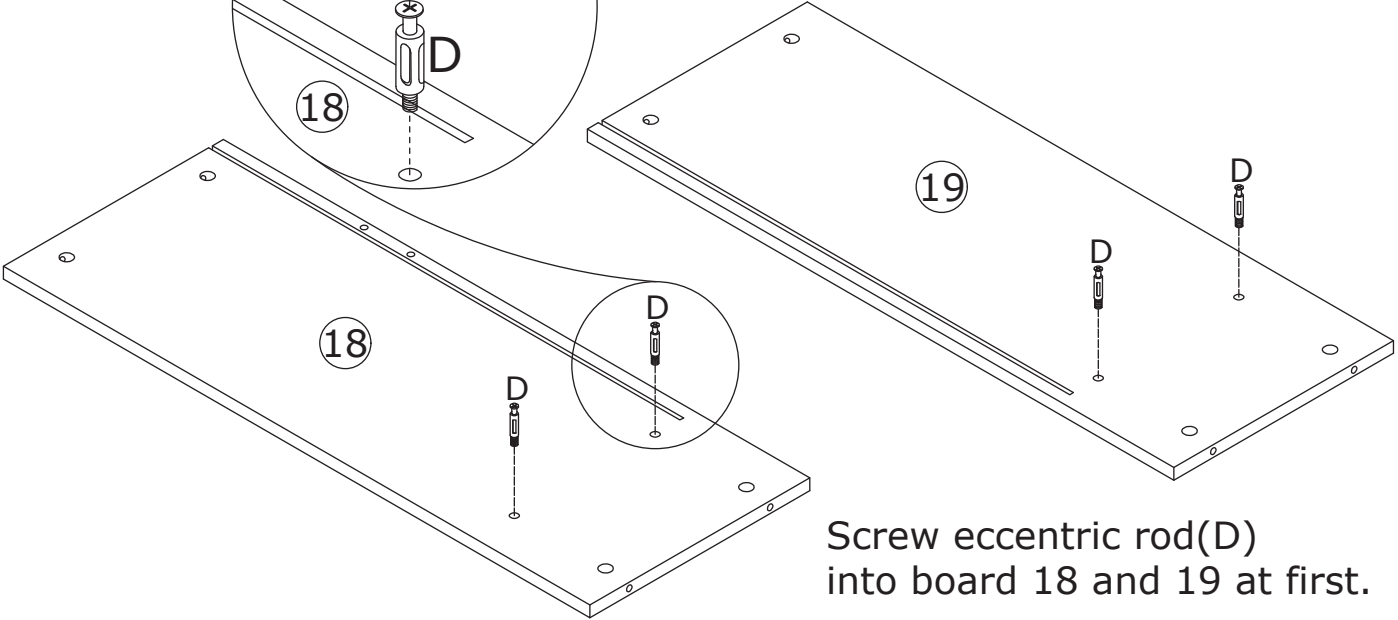
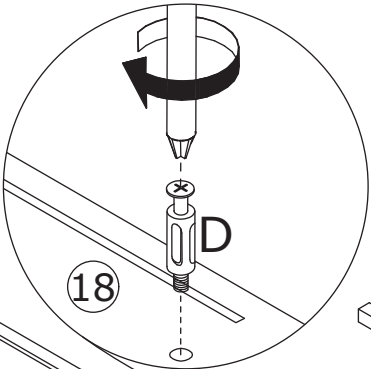
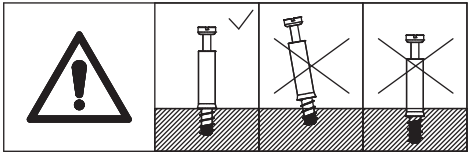
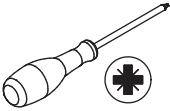
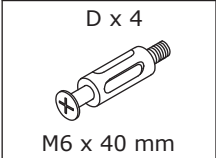
13



Cover board 24 to the top, add cam lock(E) into board 16 and turn clockwise to tighten as shown. Fix board 24 to board 5, 6 and part 1, 2, 3 with screw(H) as shown.

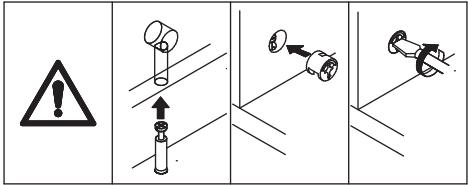
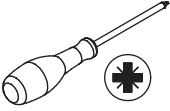
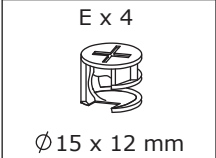


14

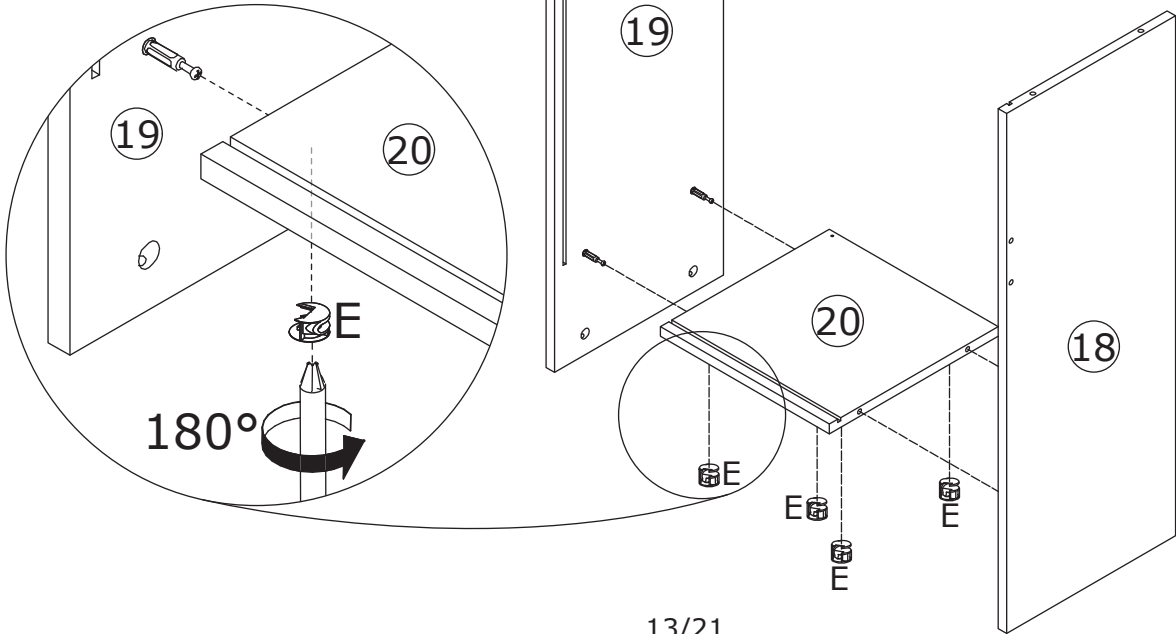


Screw eccentric rod(D)
into board 18 and 19 at first.

15



Connect board 18 and 19 to
board 20, add cam lock(E)
into board 20 and turn
clockwise to tighten as
shown.



16

E x 4

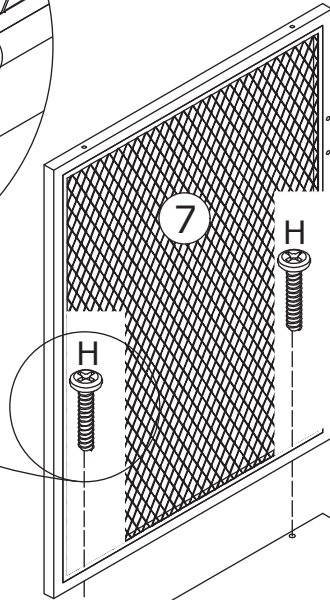
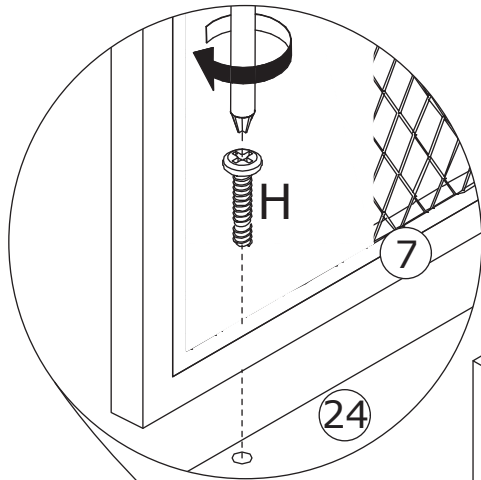
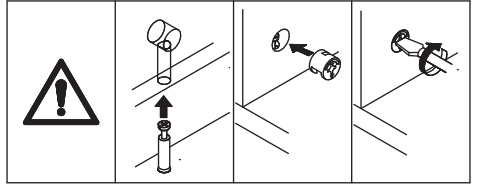
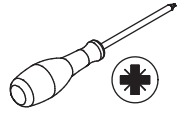


Ø15 x 12 mm

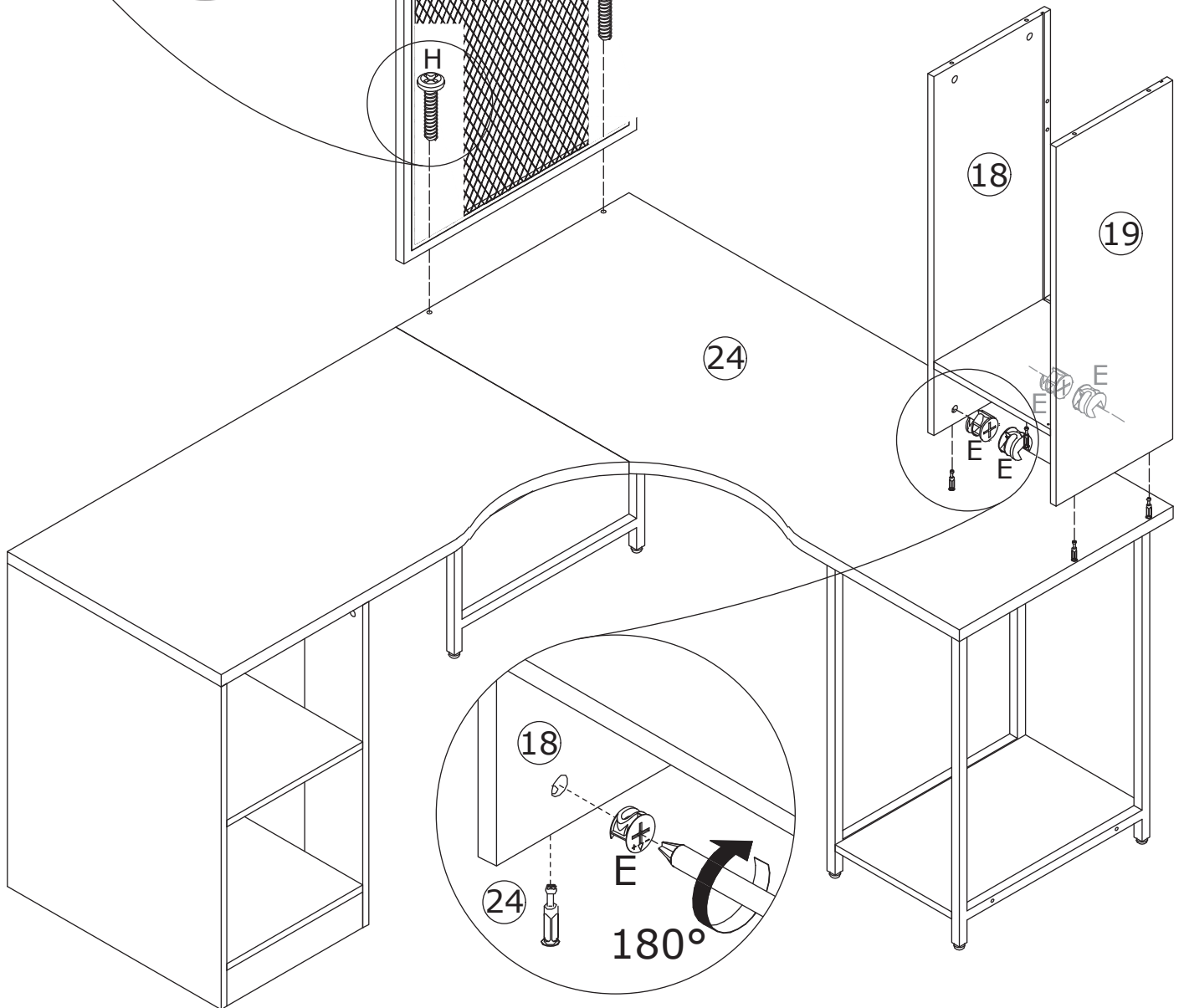
H x 2



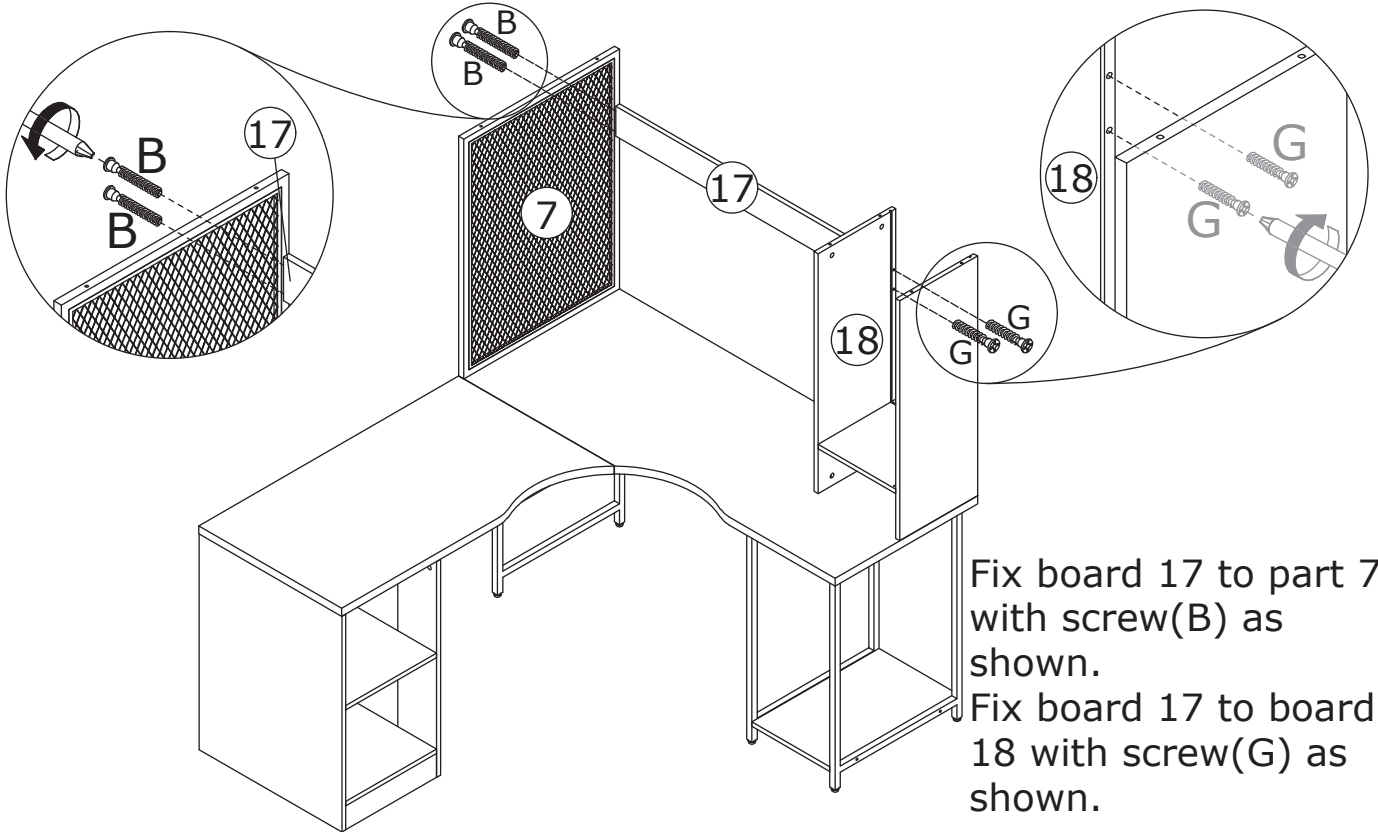
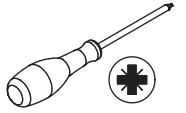
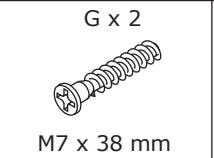
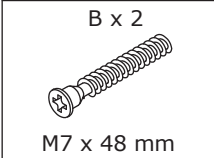
M6 x 30 mm



Attach board 18 and 19 to board 24, add cam lock(E) into board 18,19 and turn clockwise to tighten as shown. Fix part 7 to board 24 with screw(H) as shown.

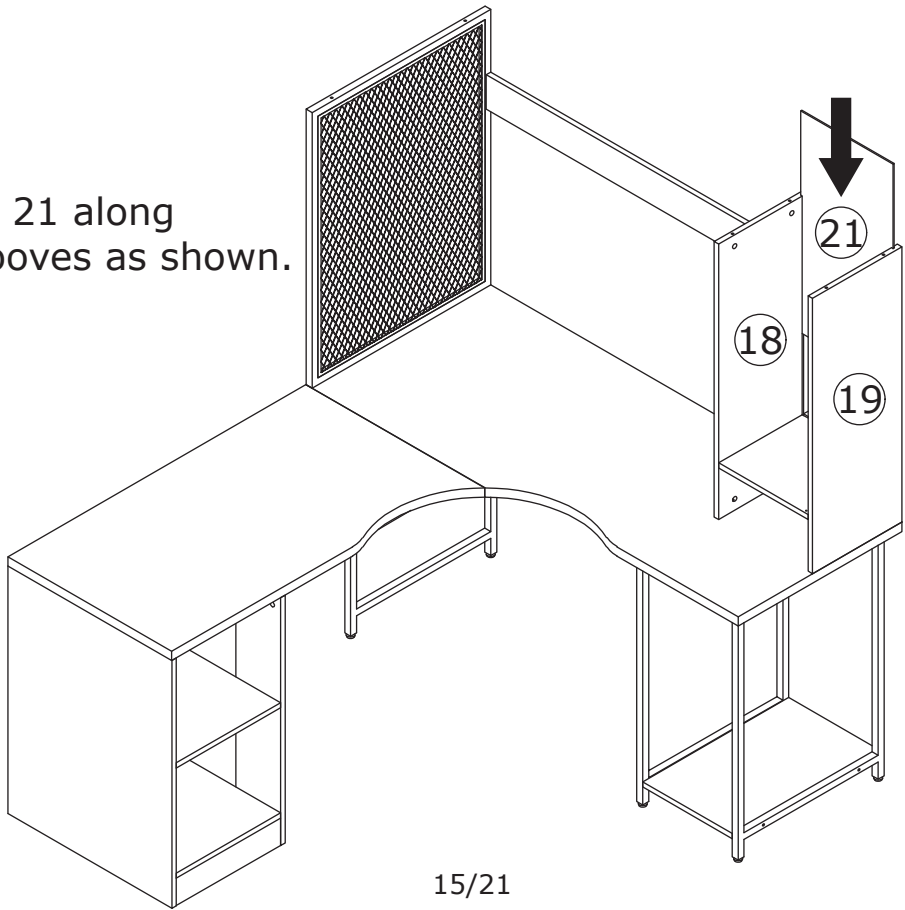


17

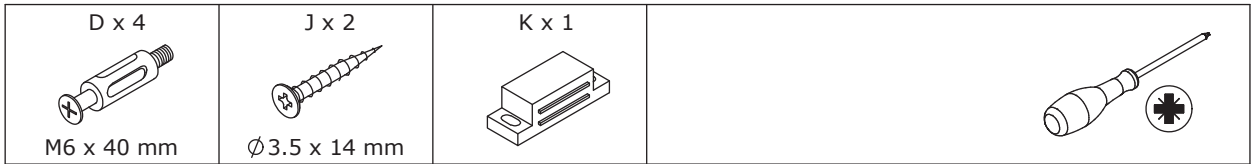


18

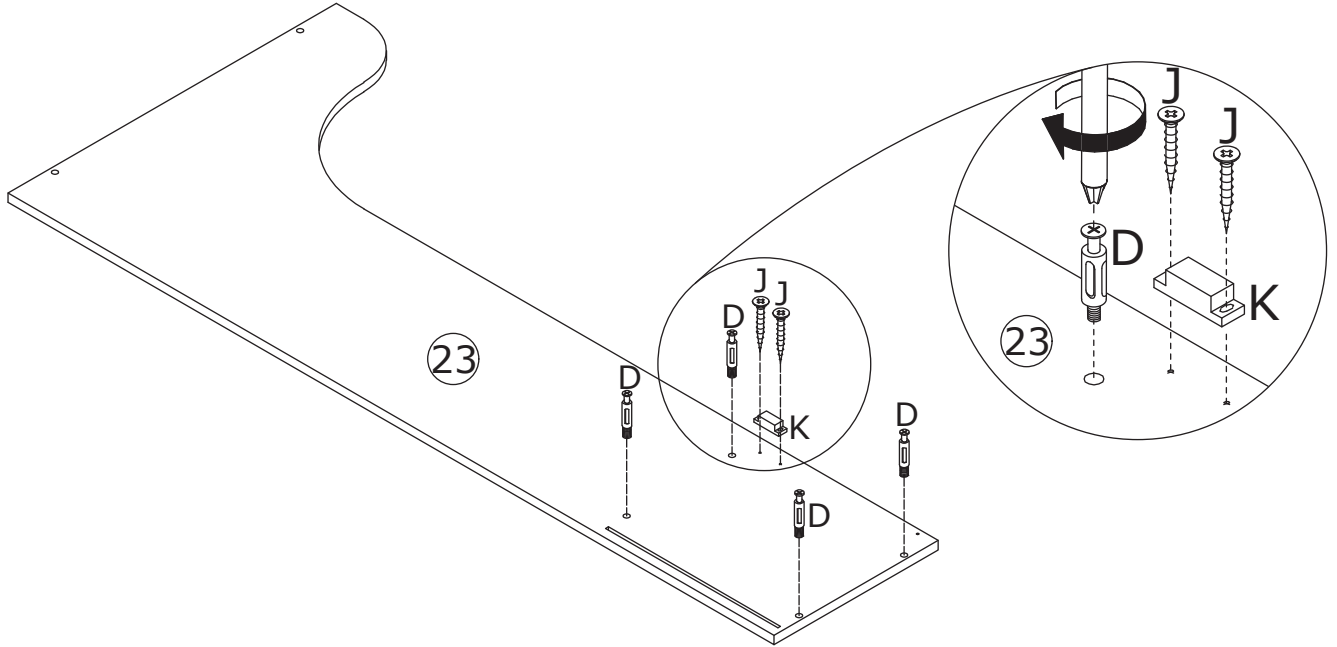
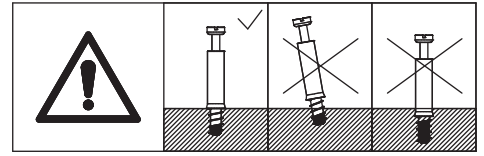
Insert board 21 along available grooves as shown.



19



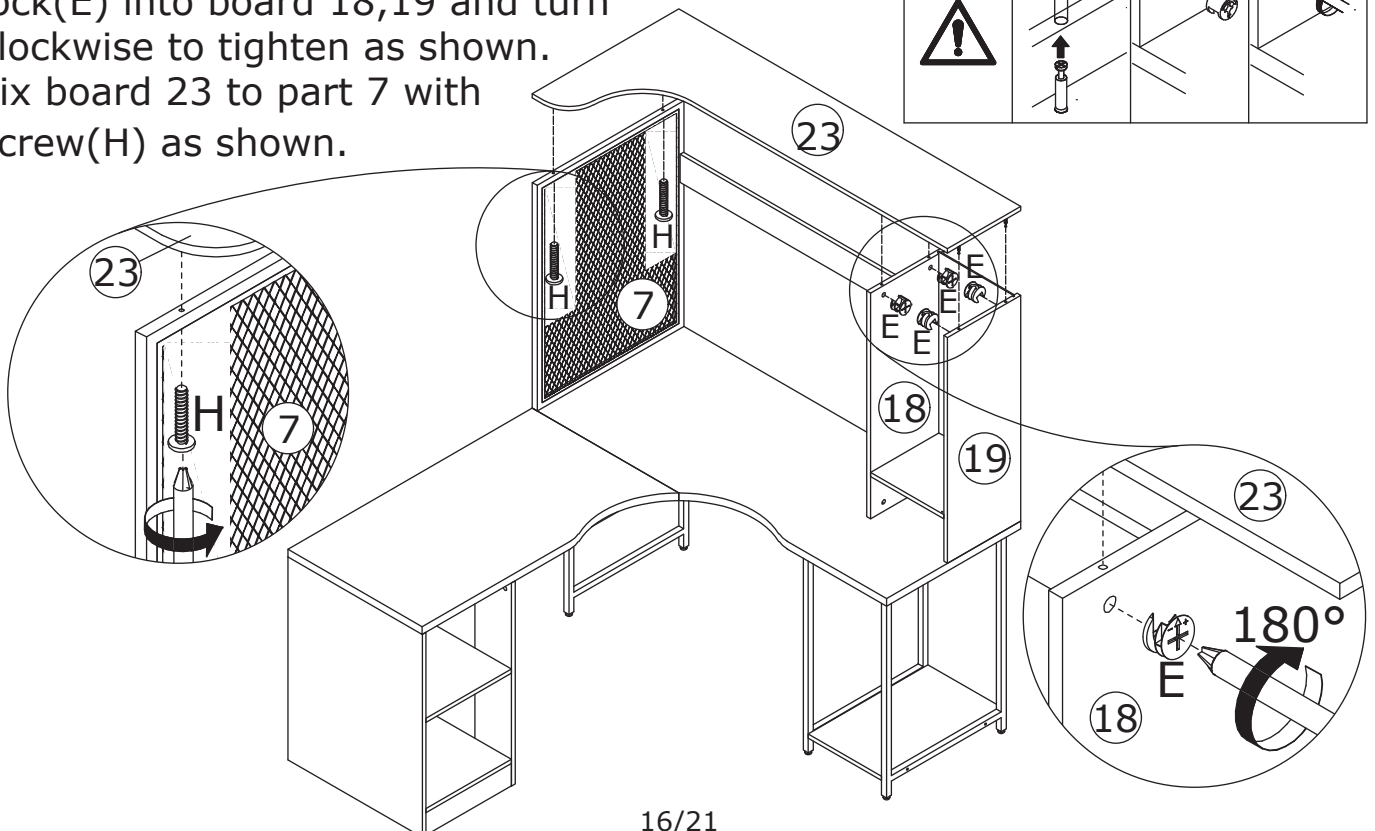
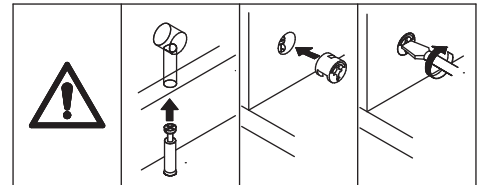
Screw eccentric rod(D) into board 23 at first.
Fix part(K) to board 23 with screw(J).



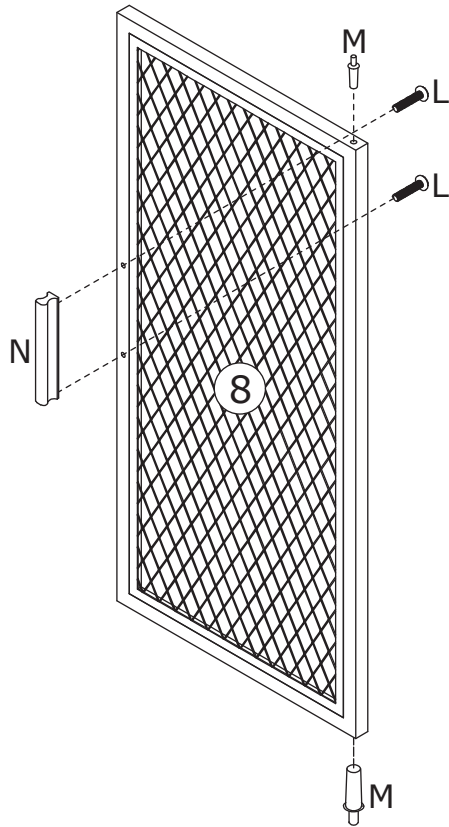
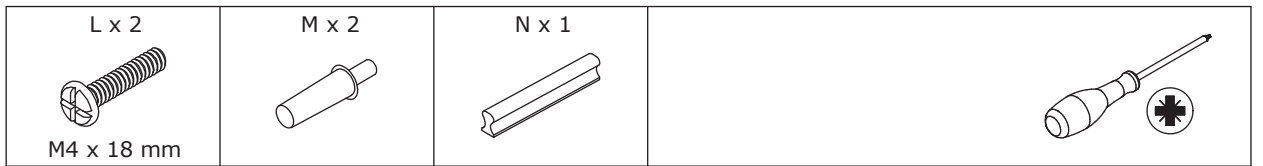
20



Attach board 23 to board 18 and 19, add cam lock(E) into board 18,19 and turn clockwise to tighten as shown.
Fix board 23 to part 7 with screw(H) as shown.



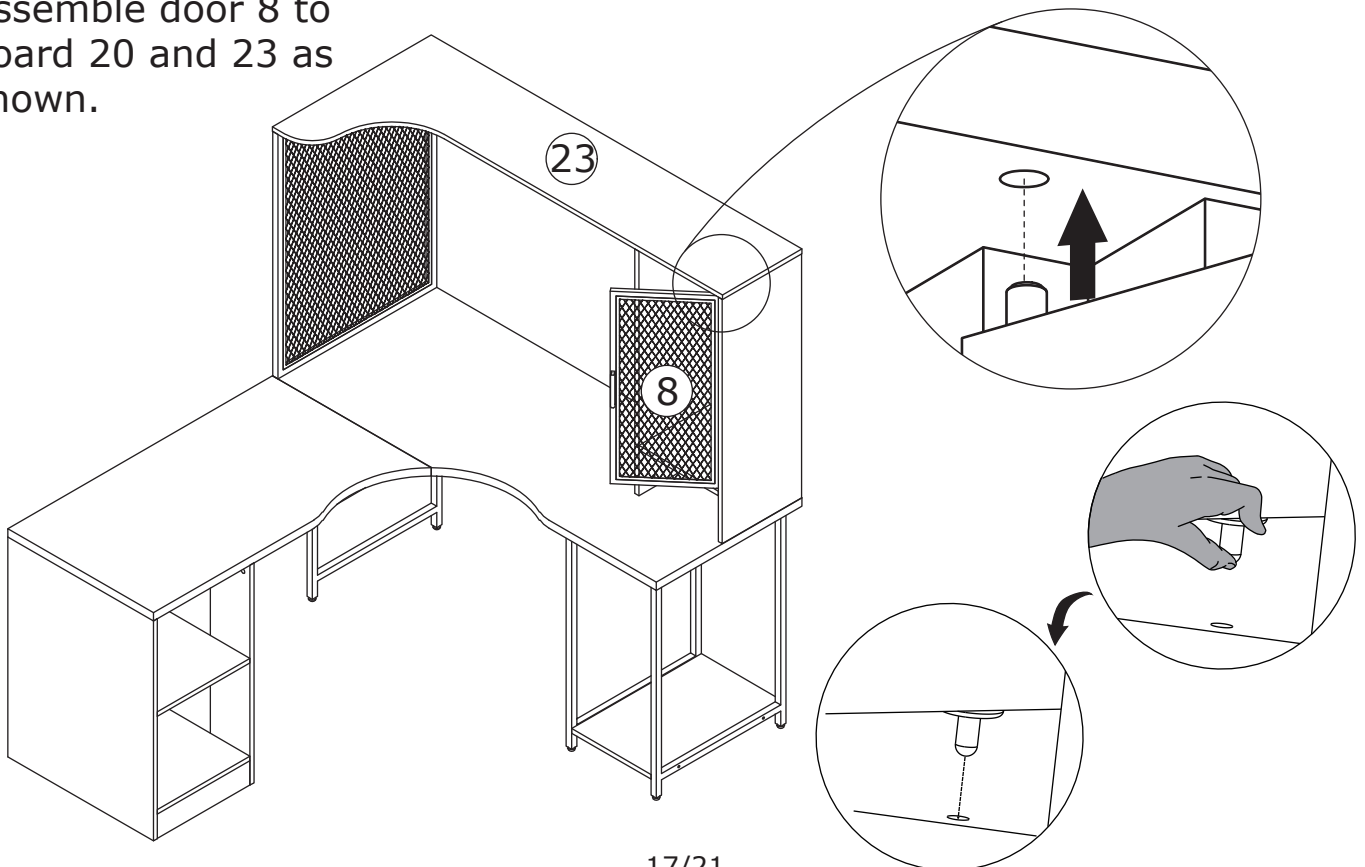
21



Insert part(M) into door plate 8.
Fix handle(N) to plate 8 with
screw(L) as shown.

22

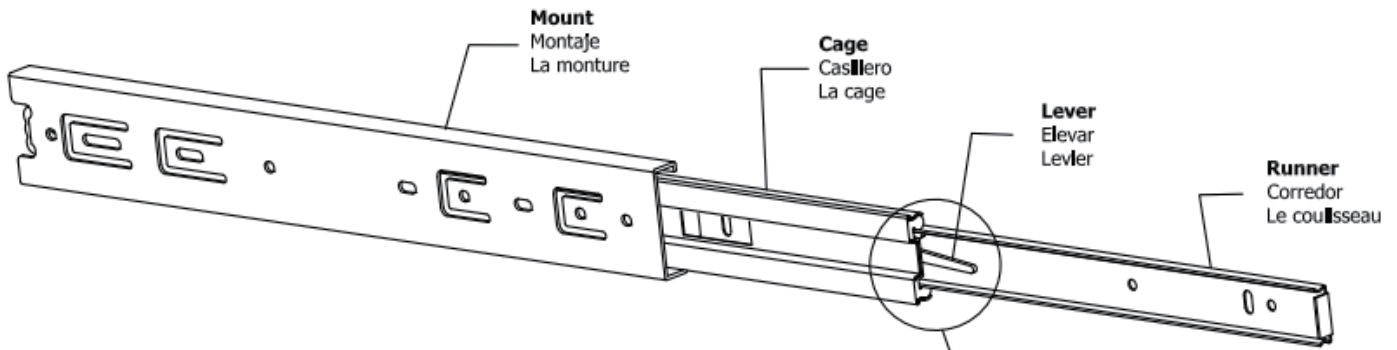
Assemble door 8 to
board 20 and 23 as
shown.



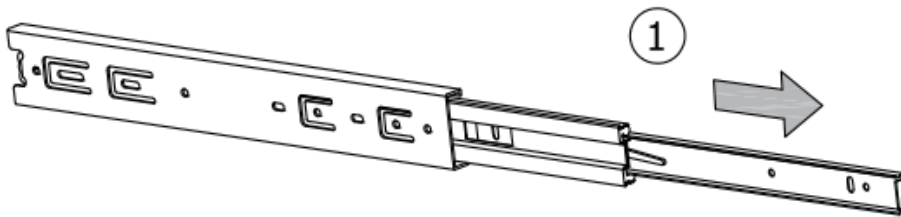
**Slides Must Be Separated Before Assembly.
After Separated, Set Aside Until Needed for Assembly.**

Las diapositivas deben separarse antes del montaje.
Después de la separación, déjelo a un lado hasta que sea necesario.

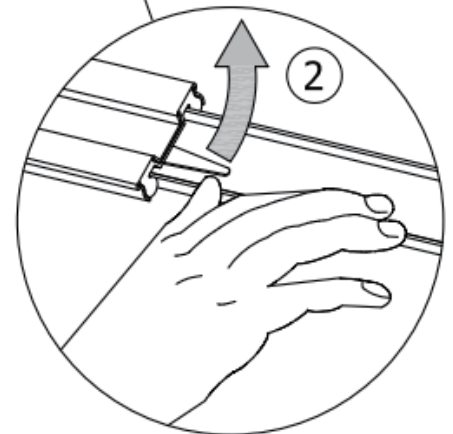
Les glissières doivent être séparées avant l'assemblage.
Après la séparation, mettez de côté jusqu'au moment de l'assemblage.



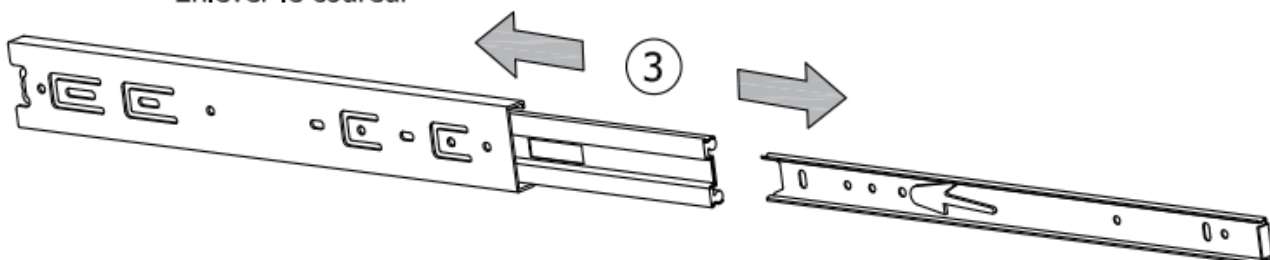
STEP 1: Extend Slide
Extender la diapositiva
Extendre la diapositive





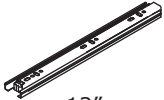
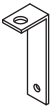

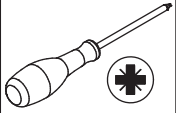
STEP 2: Push Lever UP
Empujar hacia arriba
Lever le levier

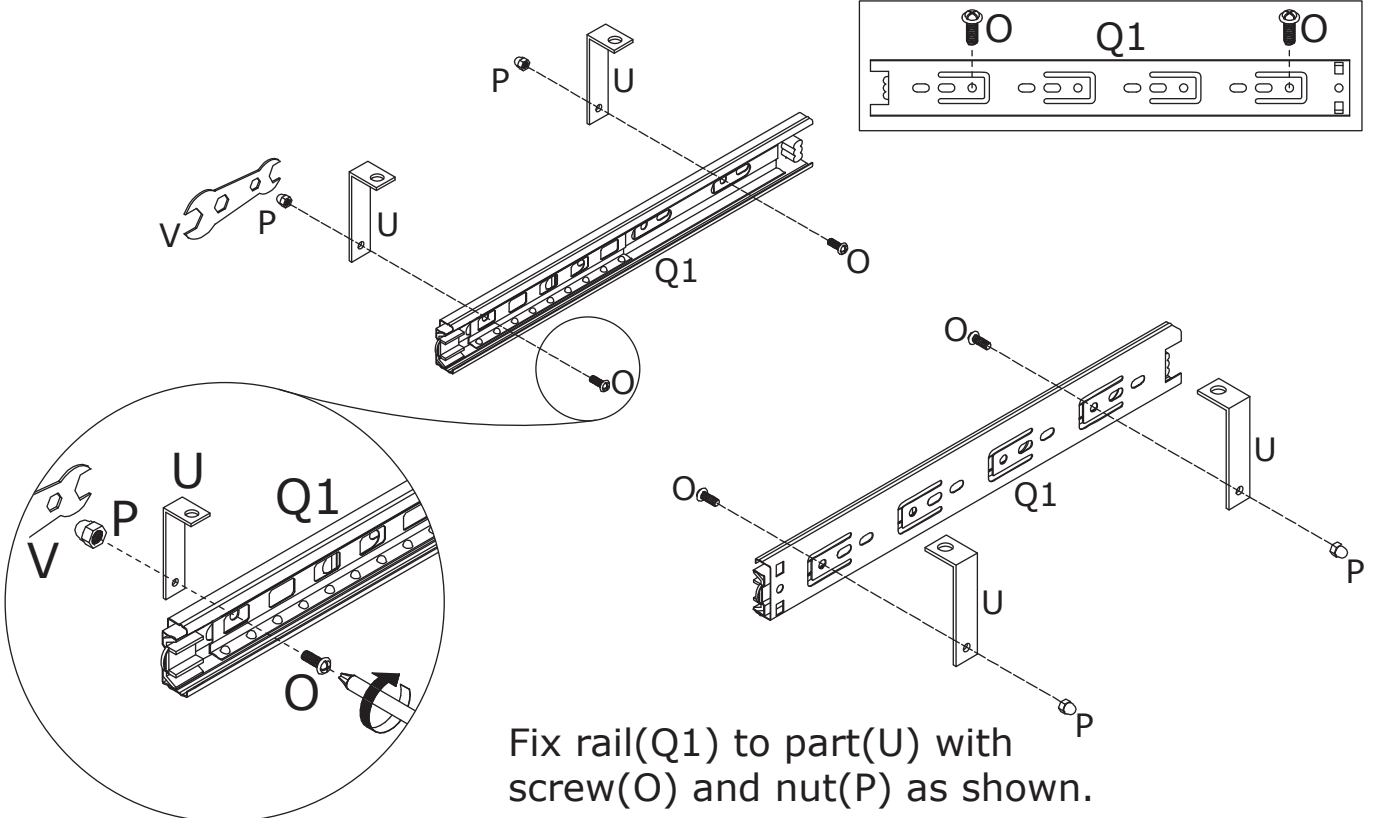


STEP 3: Remove Runner
Quitar el corredor
Enlever le coureur

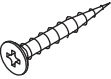
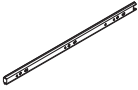


23

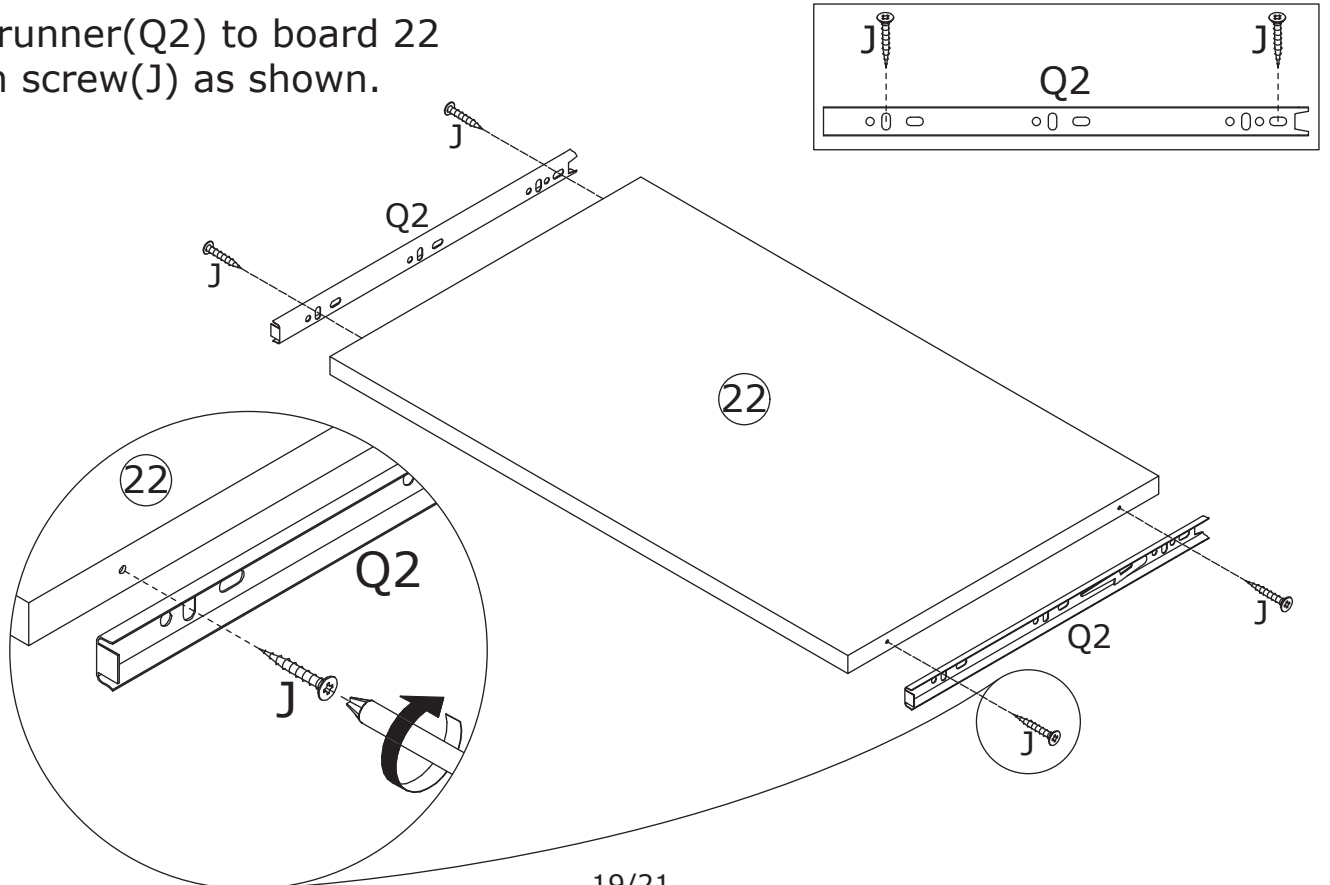
O x 4  M4 x 6 mm	P x 4  M4 mm	Q x 2  12"	U x 4 	V 	
---	---	---	---	--	---



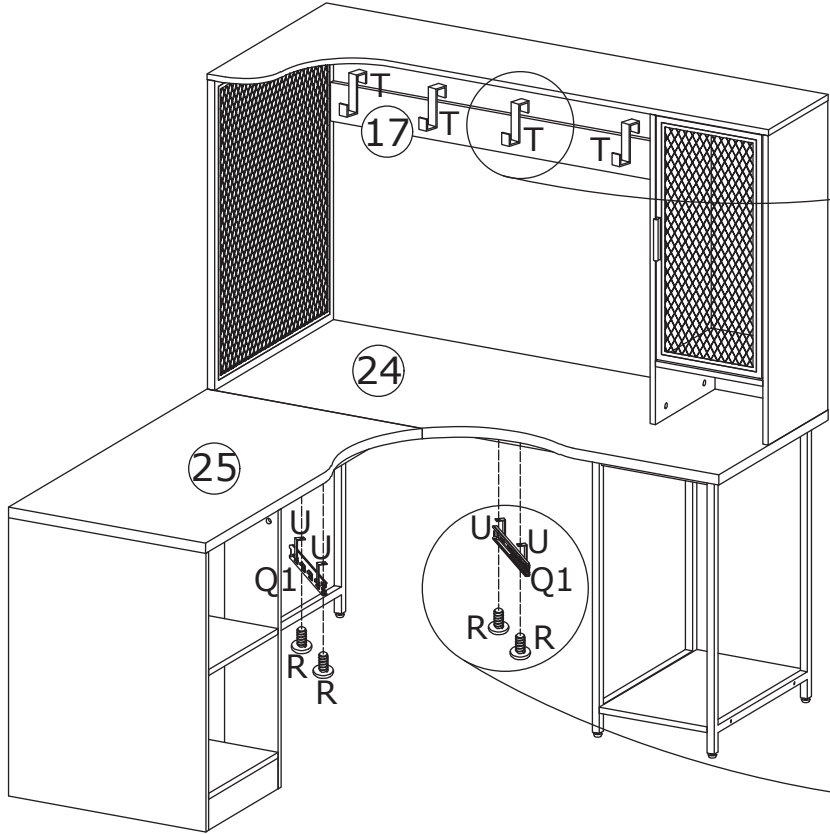
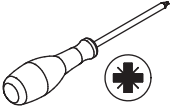
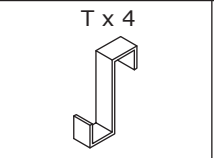
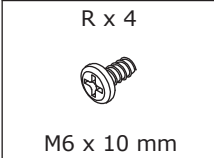
24

J x 4  Ø3.5 x 14 mm	Q x 2  12"	
--	---	---

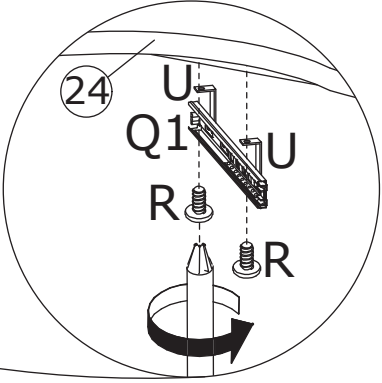
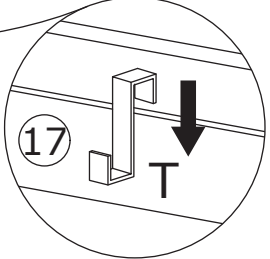
Fix runner(Q2) to board 22 with screw(J) as shown.



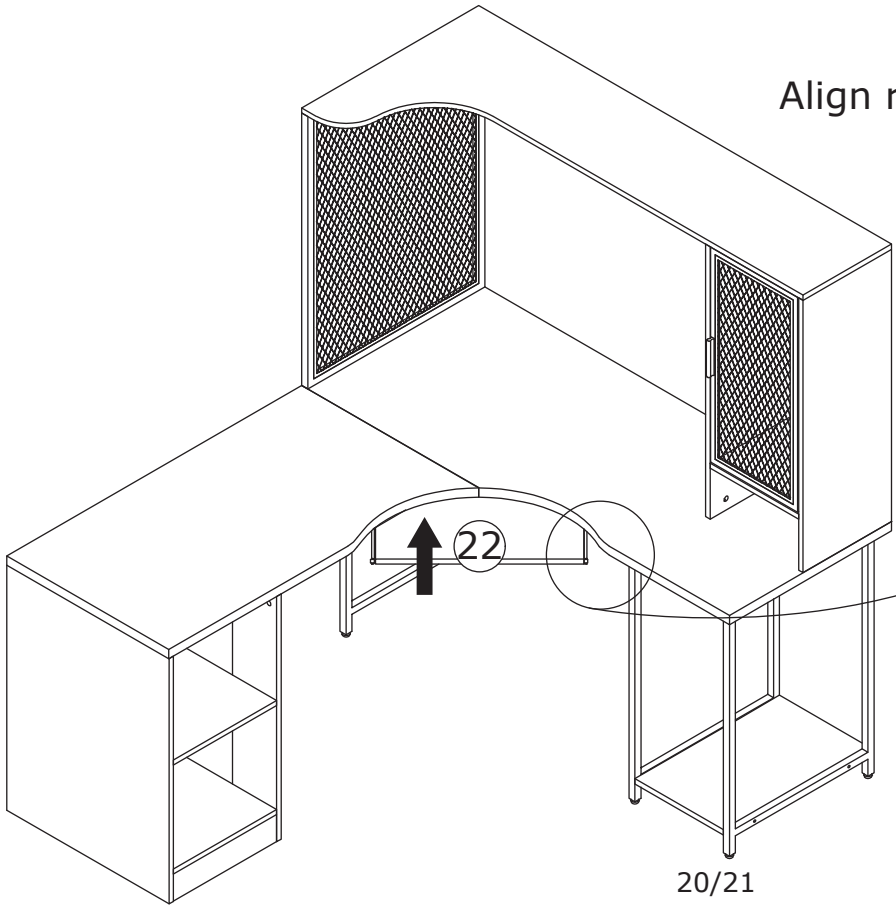
25



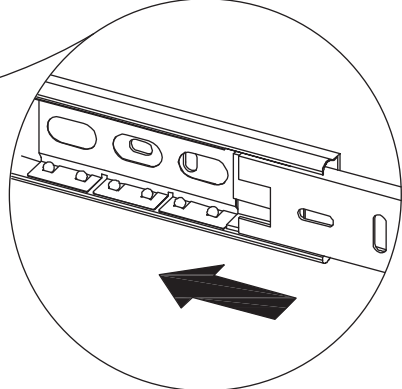
Fix part(U) to board 24 and 25 with screw(R) as shown.



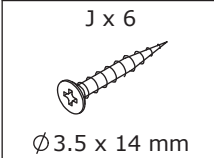
26



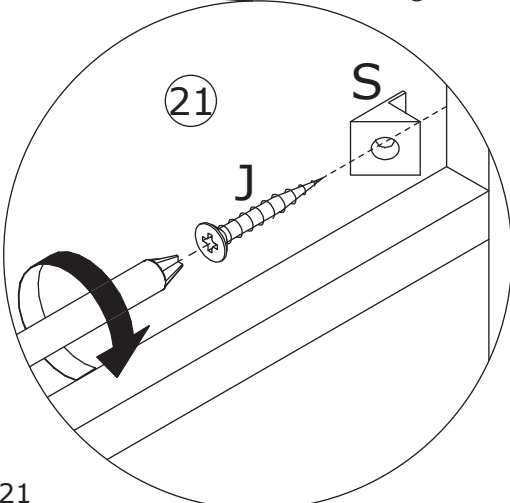
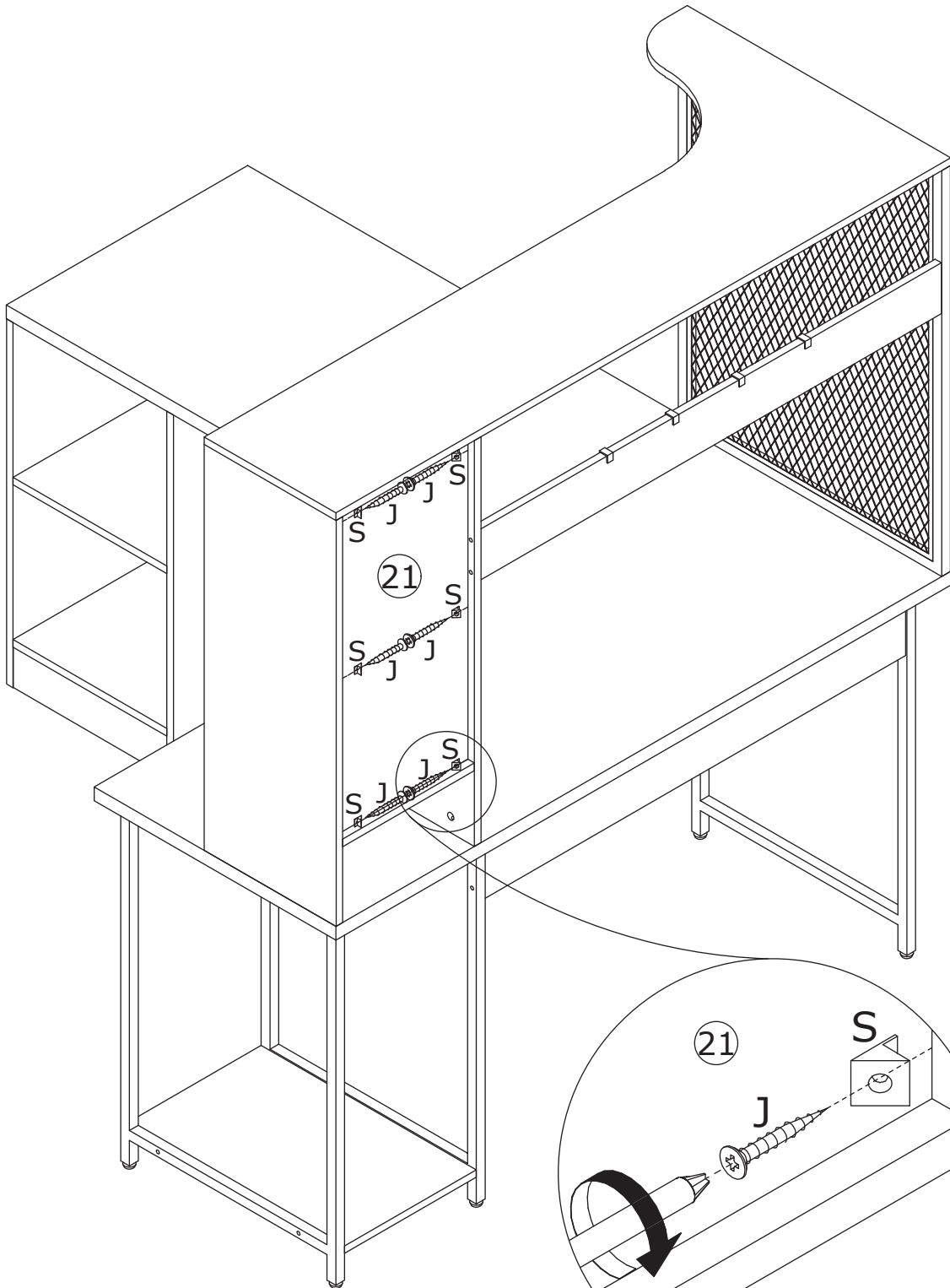
Align rails, insert board 22 into.



27



Insert buckle(S) into back slots and fix with screw(J) as shown.



WARRANTY

WARRANTY CLAIMS

- There is a 30-day warranty for broken furniture or any other problems that do not work properly. The warranty will start from the date of purchase which must be verified by proof of purchase.
- Before making a claim, we may be able to answer your query, simply call us. Please leave your purchase order number, along with some details of the problem, if you want a replacement part. We will arrange within 48 hours. If there is out of stock, we will reply with a shipping date.
- The product must be used in accordance with the instructions provided. For health reasons.
- For other reasons, if the furniture needs to be returned, it must be cleaned and dried and operated within 30 days of receipt.

Type of Warranty Claim

- Failure to follow the furniture instructions will invalidate the warranty. Attention please.
- Does not include damage during installation, but includes damage during transportation.

Scope of responsibility

- Shall not bear any responsibility for misuse or user damage and / or loss of parts during the installation of furniture.
- After using, the damage and scratches of the furniture are not covered by the warranty.

The Warranty Relates to All Bought in The Us and Covers The Following Areas

- Sheet parts: 1 month from the date of purchase.
- Electrical parts: 1 month from the date of purchase.

RETURNS

CHANGED YOUR MIND AND NEED TO RETURN YOU ITEM?

PLEASE FOLLOW THE BELOW INSTRUCTIONS:

- If you have purchased and have simply changed your mind, follow the retailer's instructions for returns.

DEFECTIVE ITEMS

- If your item is defective in any way, i.e. it doesn't work but you can't identify why, in the first instance, please call us.

DAMAGED ITEMS

- If you receive an order with obvious shipping damage from the retailer, then we suggest the delivery is refused. If the delivery has been accepted and then shipping damage is found, please follow the specific instructions advised by the retailer.
In all circumstances please save all packaging material and paperwork for the order. Please be aware that if you dispose of packaging material or attempt to return the merchandise without contacting the fulfiller, you jeopardise your chances of making a claim, and you may not receive a credit for the return.

AFTER-SALES CONTACT



feedbackstation@163.com



(303)800-6387