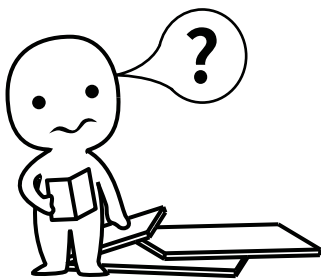


INSTALLATION

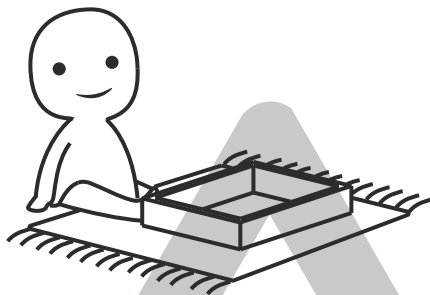
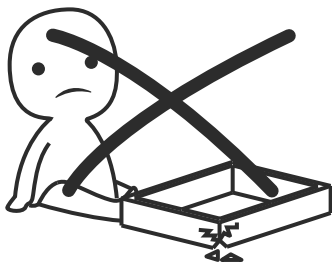
Product Manual

Version: 210245-01-24A-MH



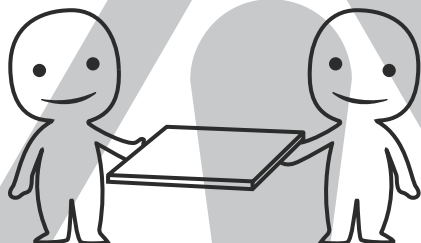
IMPORTANT INFORMATION!

please read the entire manual before starting to assemble and/or using this product. follow the manual thoroughly and keep it for further reference.



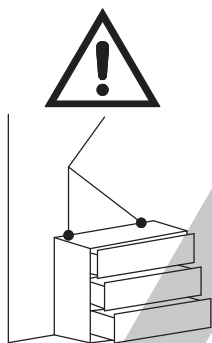
AVOID SCRATCHES!

In order to avoid scratching this furniture should be assembled on a soft layer- could be a rug.



IMPROVE EFFICIENCY !

Try to find a partner to install with you, which can speed up the installation efficiency and shorten the time.



ANTI-TOPPLE WARNING !

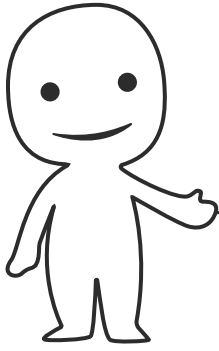
Overturnd furniture can cause serious or fatal crush injuries. To prevent tipping over, be sure to use the wall attachment, if not included with this product. Please purchase the wall attachment that fit your wall. If unsure, seek professional advice. Please read and follow each step of the instructions carefully.

IMPORTANT !

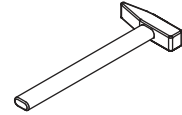
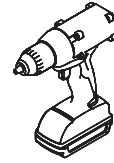
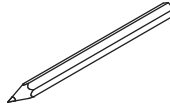
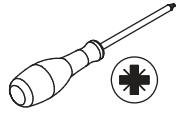
It is important that any product which is assembled using any kind of screw is re-tightened 2 weeks after assembly, and once every 3 months - in order to assure stability through-out the lifespan of the product.

For regular maintenance and cleaning of the product, for the frame, please use a rag dipped in neutral detergent to fully wipe it, and then dry it with a clean rag. For glass materials, wipe with a rag dampened with water glass cleaner, and then dry with a dry rag.


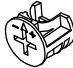
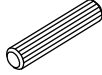


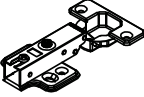
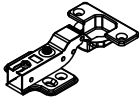










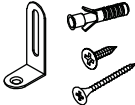
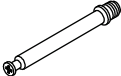


Do not use an electric screwdriver, and do not use too much force when installing, because the board is easy to break.

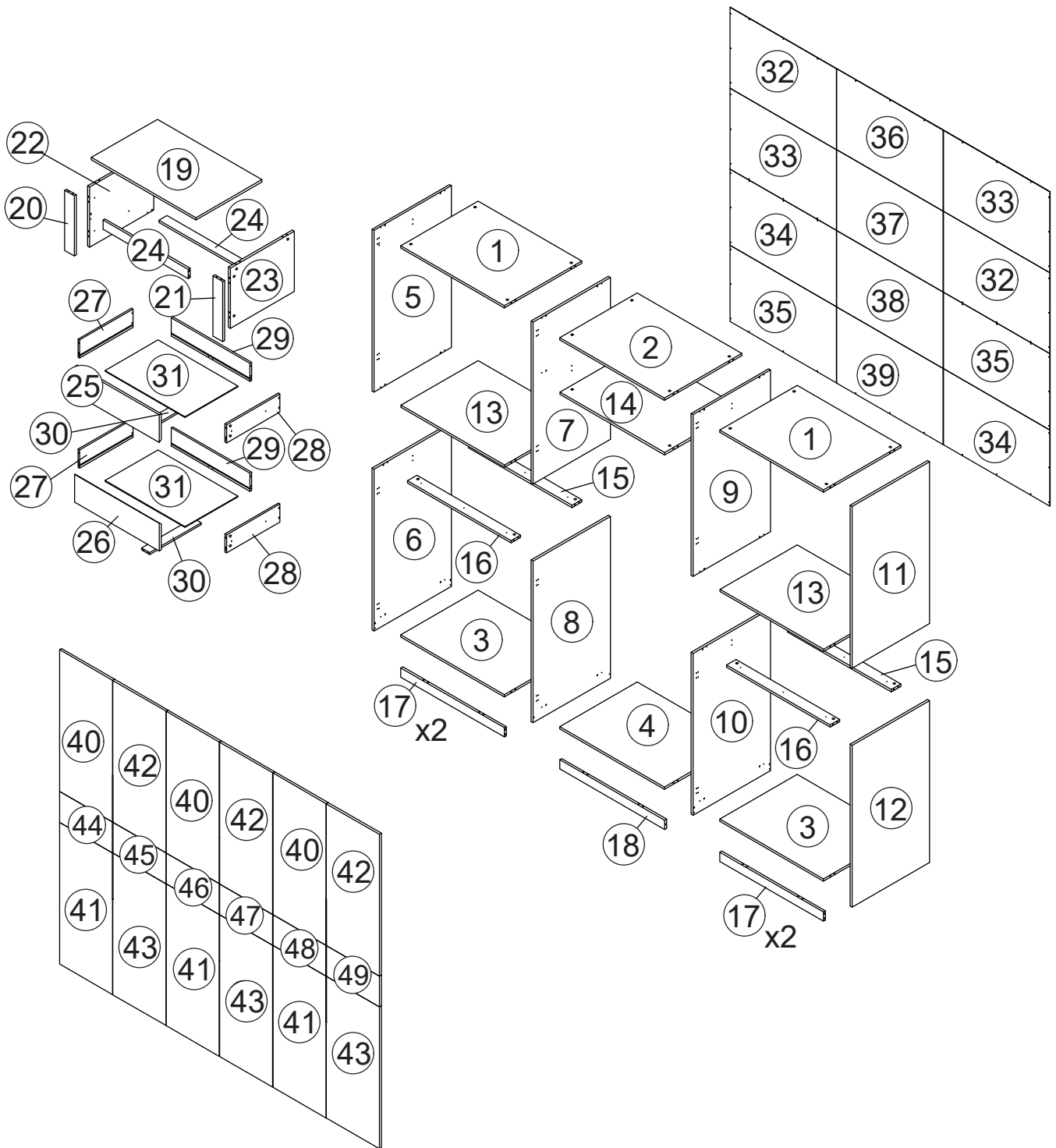


Please prepare the following tools



When installing, please carefully confirm whether each screw corresponds to the manual, accessories with similar shapes can be distinguished by size

A x 92  CRA0635A	B x 116  CRB1595A	C x 112  CRF0830A	D x 12  CRD0430A	E x 12  CRD0425A
F x 8  DGA861A	G x 16  DGA861B	H x 182  CRD3514A	J x 6  L=800 mm	K x 4  #4512 14"
L x 16  CRD3512A	M x 24  15.5 x 10 x 1.2 mm	N x 24  CRD0316A	P x 54  CRE0312A	Q x 10  47 x 18 x 12 mm
R x 4  770 mm	S x 1  778 mm	T x 2 	U x 24  CRA0660A	V x 24  Ø 9.5 x 12 mm
W x 1  783 mm				

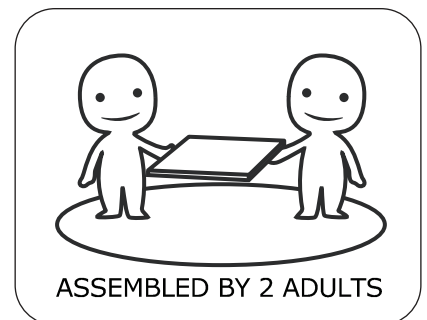


⚠ WARNING

Children have died from furniture tipover. To reduce the risk of furniture tipover:

- ALWAYS install tipover restraint provided.
- NEVER put a TV on this product.
- NEVER allow children to stand, climb or hang on drawers, doors, or shelves.
- NEVER open more than one drawer at a time.
- Place heaviest items in the lowest drawers.

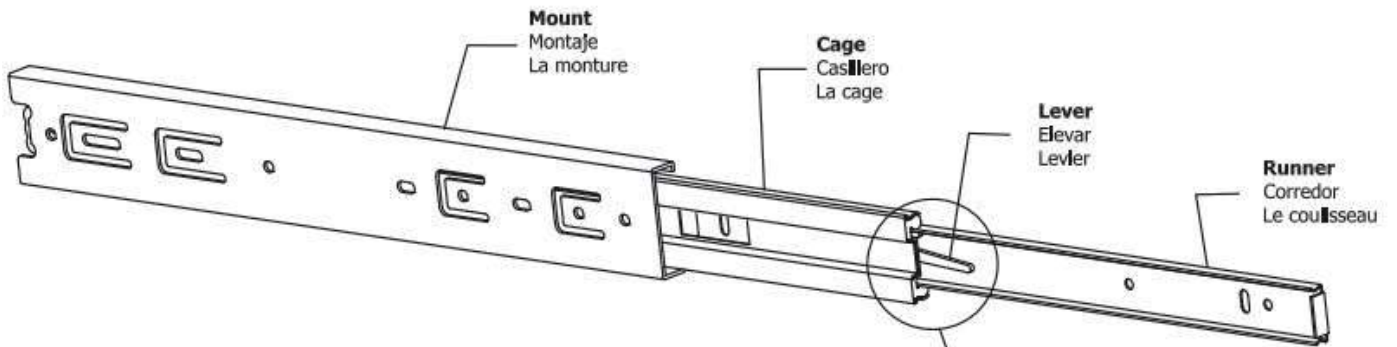
This is a permanent label. Do not remove!



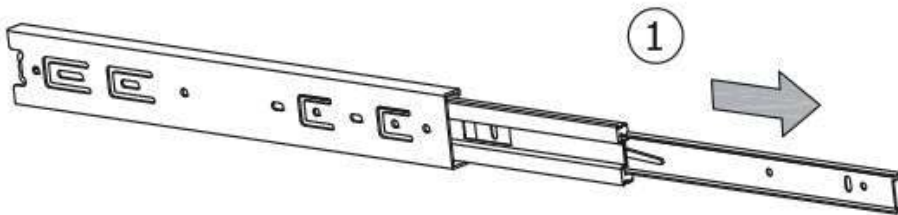
**Slides Must Be Separated Before Assembly.
After Separated, Set Aside Until Needed for Assembly.**

Las diapositivas deben separarse antes del montaje.
Después de la separación, déjelo a un lado hasta que sea necesario.

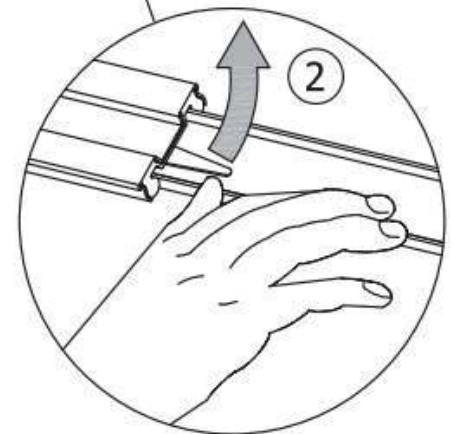
Les glissières doivent être séparées avant l'assemblage.
Après la séparation, mettez de côté jusqu'au moment de l'assemblage.



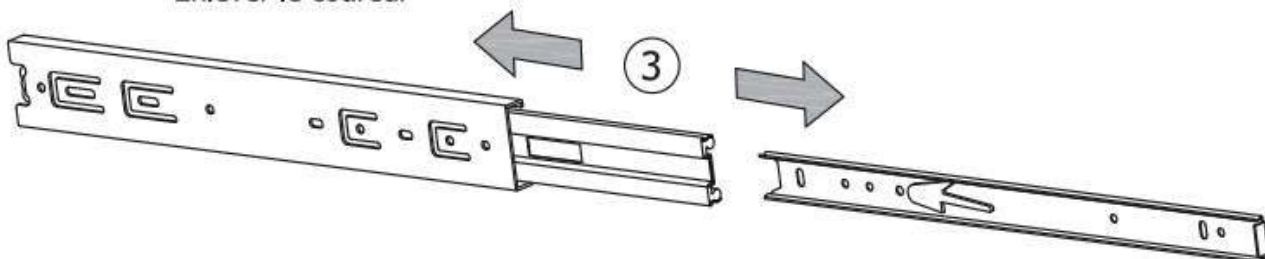
STEP 1: Extend Slide
Extender la diapositiva
Extendre la diapositive

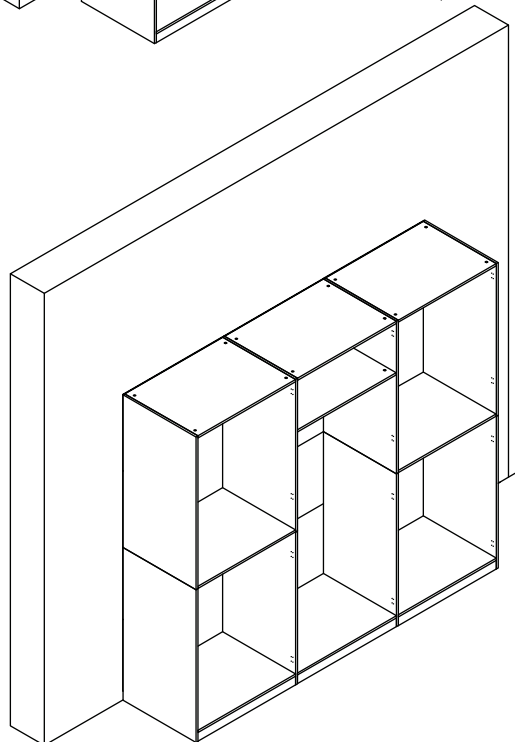
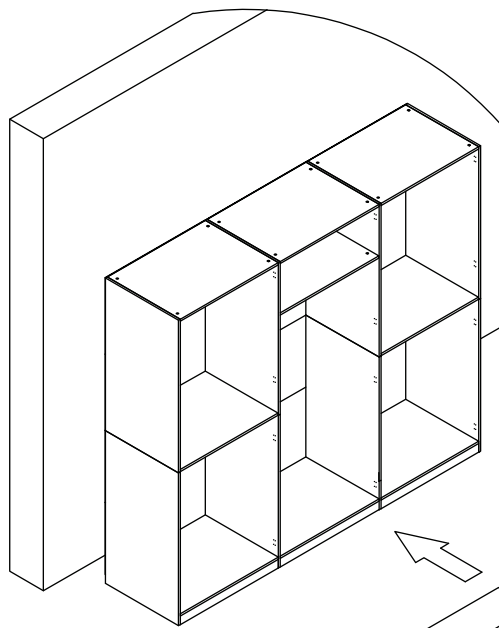
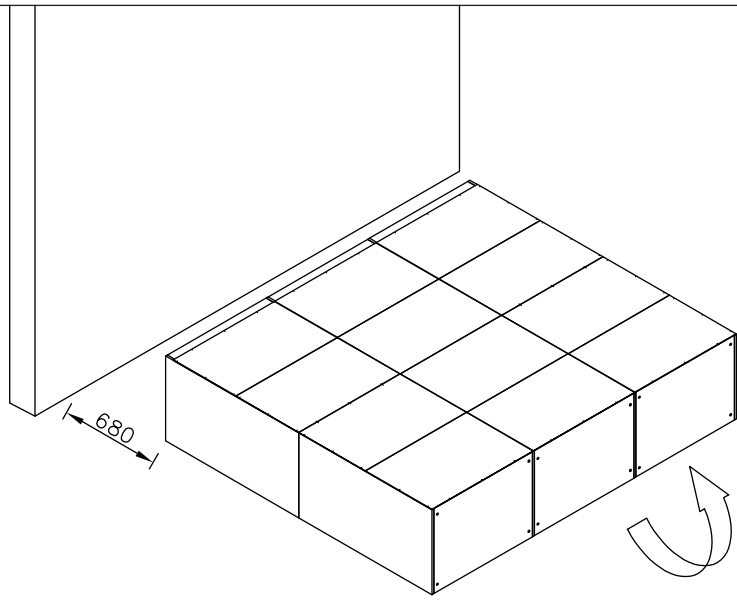


STEP 2: Push Lever UP
Empujar hacia arriba
Lever le levier




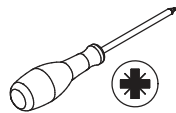


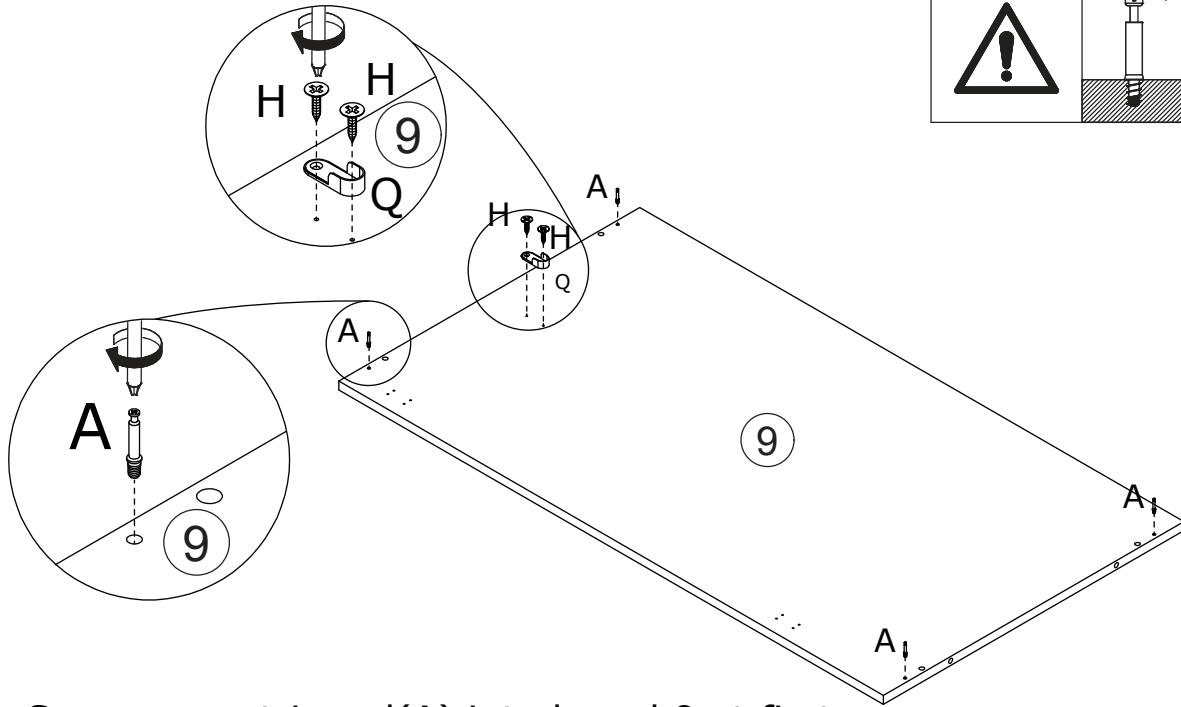
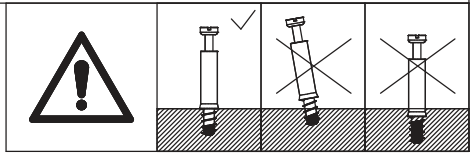
STEP 3: Remove Runner
Quitar el corredor
Enlever le coureur





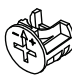
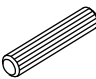
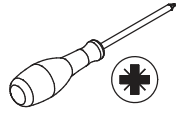
1

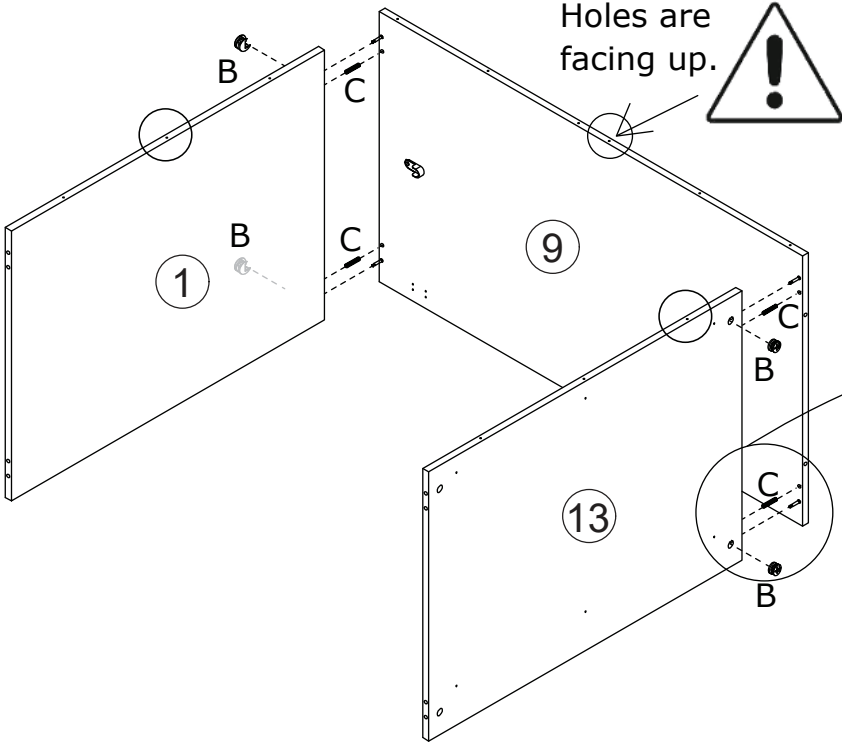
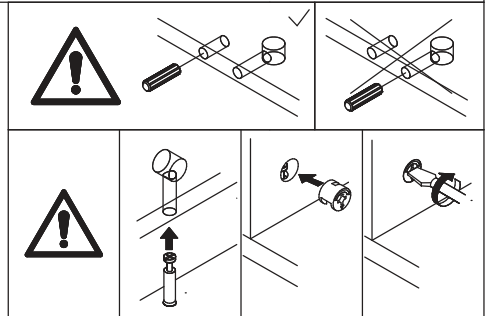
A x 4  CRA0635A	H x 2  CRD3514A	Q x 1  47x 18 x 12 mm	
--	--	--	---



Screw eccentric rod(A) into board 9 at first.
Fix part(Q) to board 9 with screw(H) as shown.



2

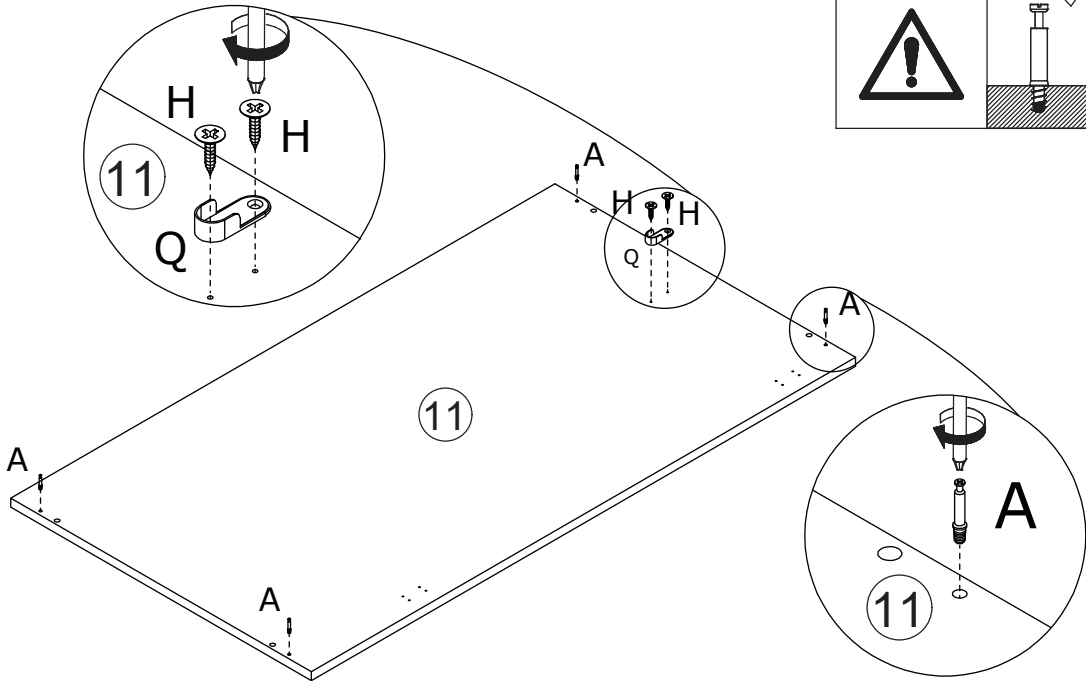
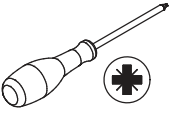
B x 4  CRB1595A	C x 4  CRF0830A	
--	--	---



Connect board 1 and 13 to board 9 using wooden dowel(C),
add cam lock(B) into board 1,13 and turn clockwise to tighten as shown.


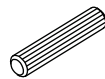
3

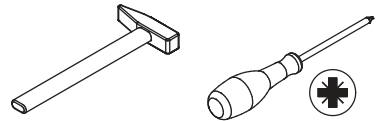
A x 4  CRA0635A	H x 2  CRD3514A	Q x 1  47x 18 x 12 mm
--	--	--



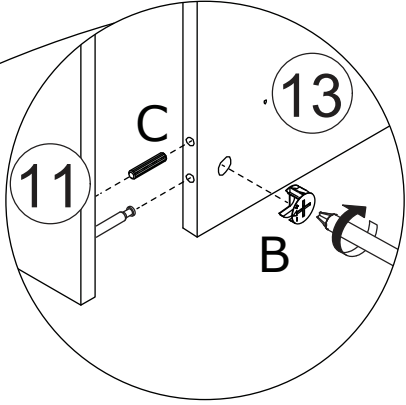
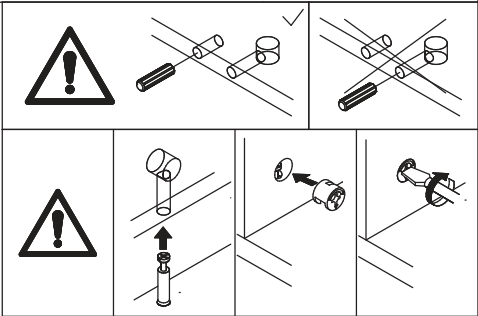
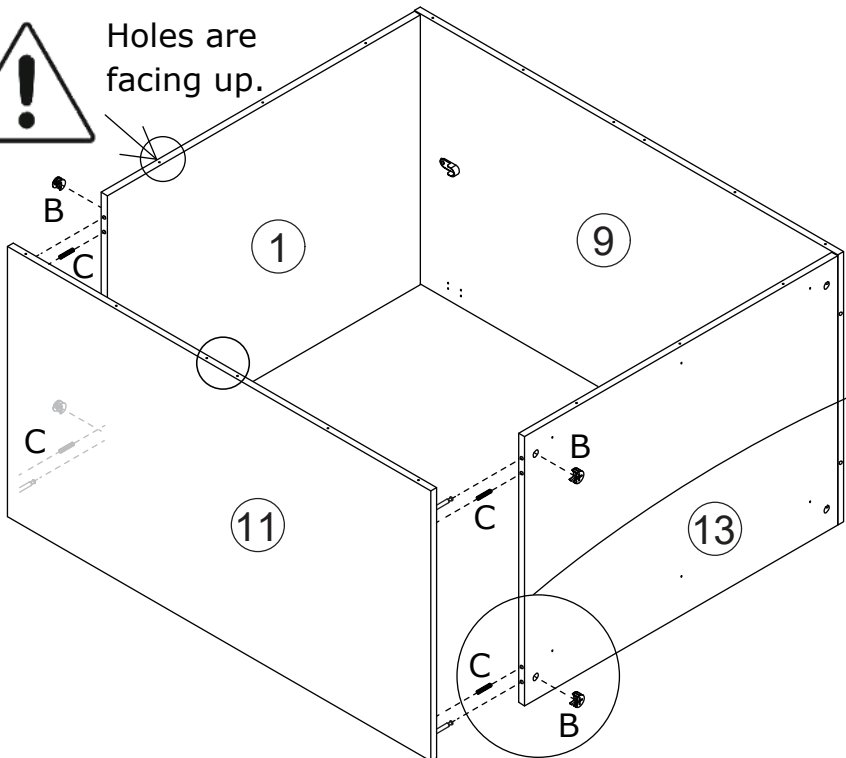
Screw eccentric rod(A) into board 11 at first.
Fix part(Q) to board 11 with screw(H) as shown.

4

B x 4  CRB1595A	C x 4  CRF0830A
--	--

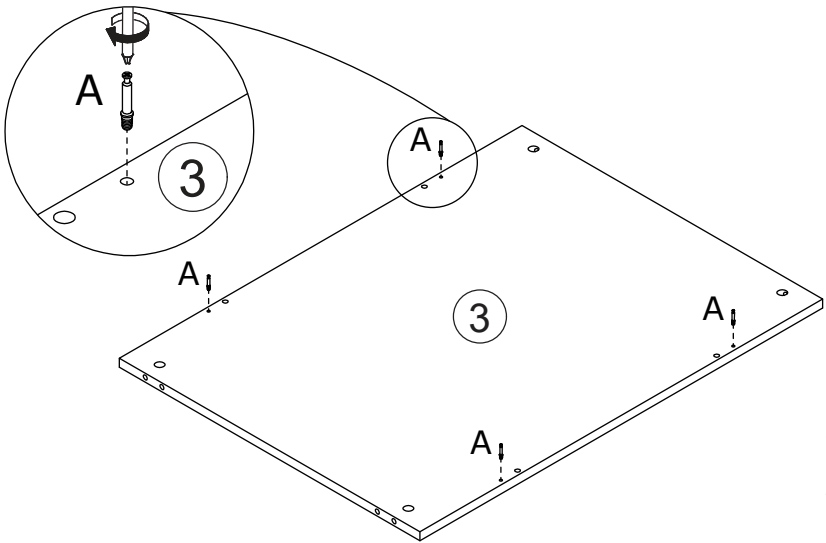
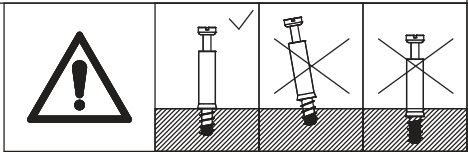
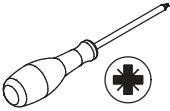


Holes are facing up.



Connect board 11 to board 1 and 13 to using wooden dowel(C),
add cam lock(B) into board 1,13 and turn clockwise to tighten as shown.

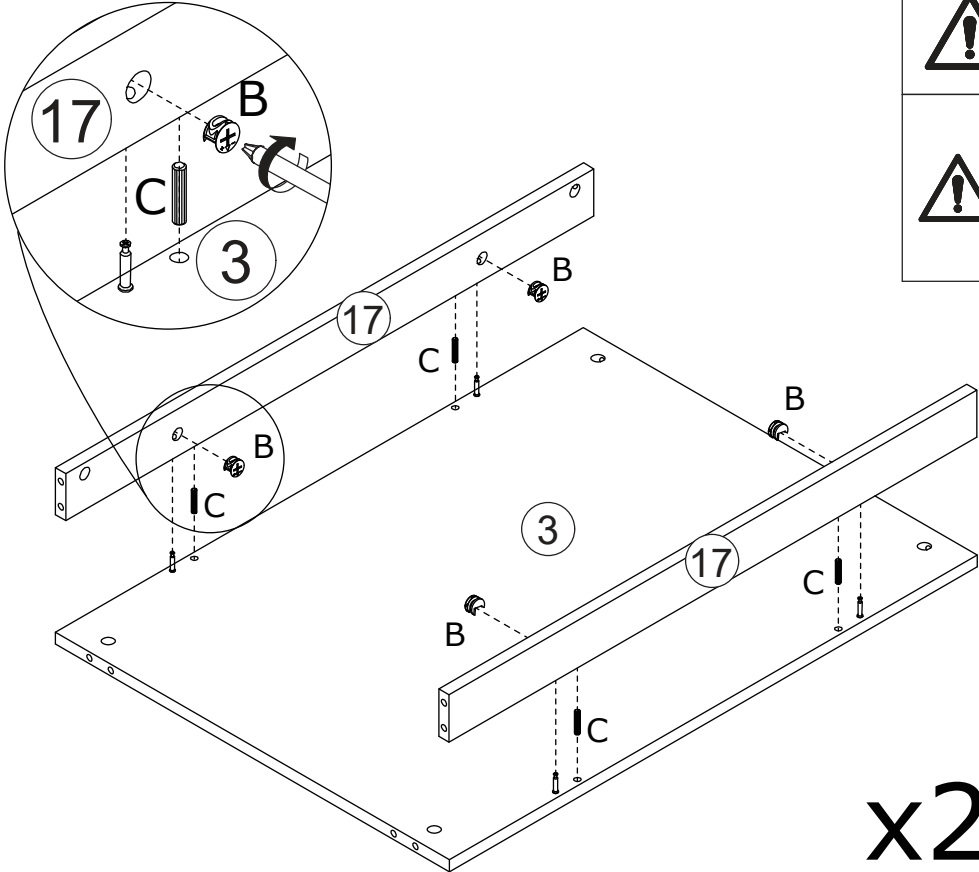
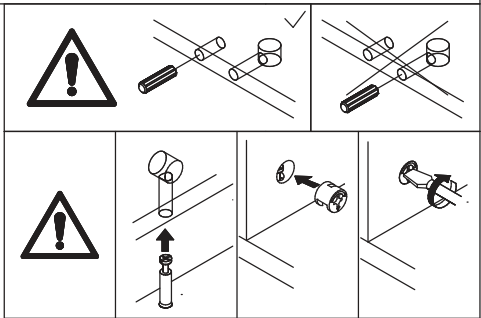
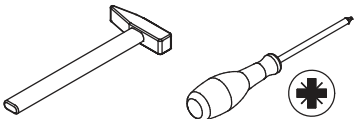
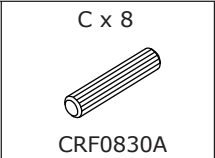
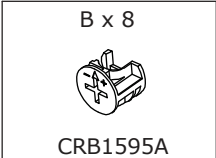
5



x2

Screw eccentric rod(A) into board 3 at first.




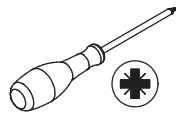
6

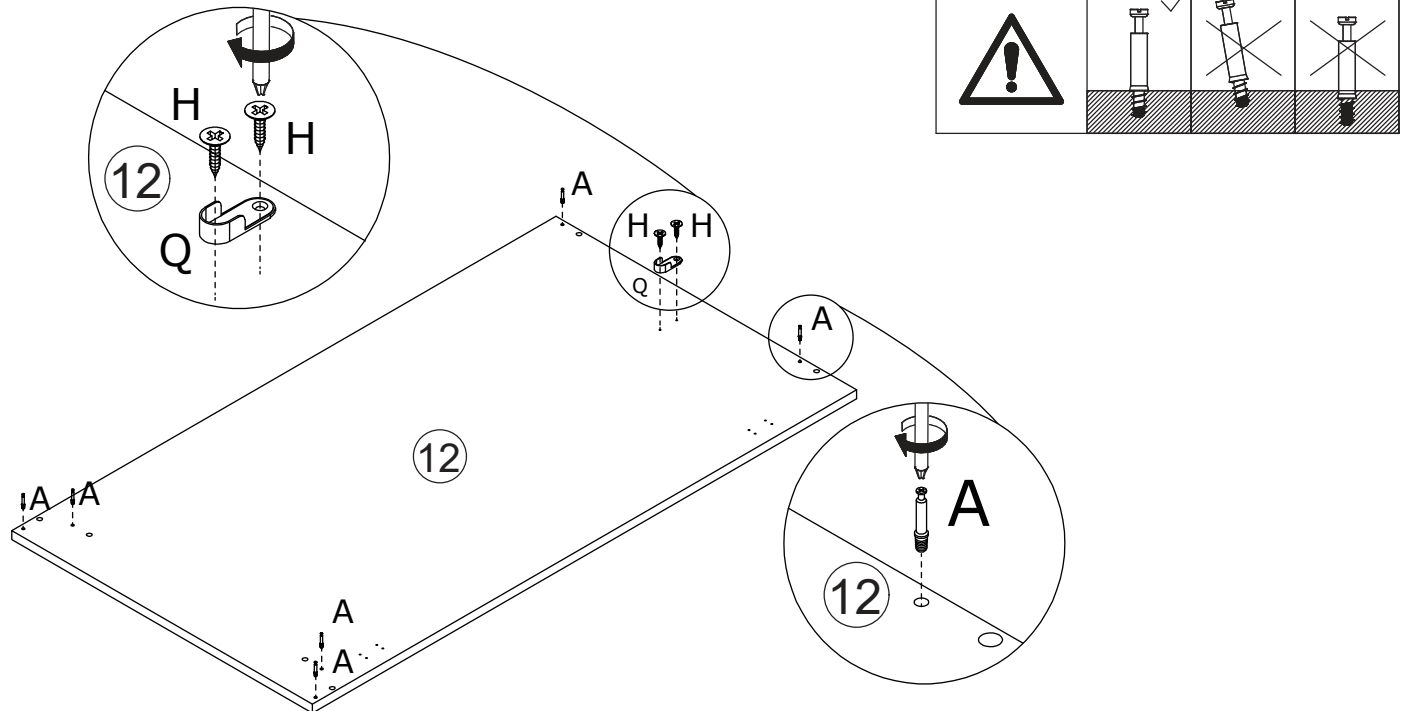


x2

Attach board 17 to board 3 using wooden dowel(C), add cam lock(B) into board 17 and turn clockwise to tighten as shown.

7

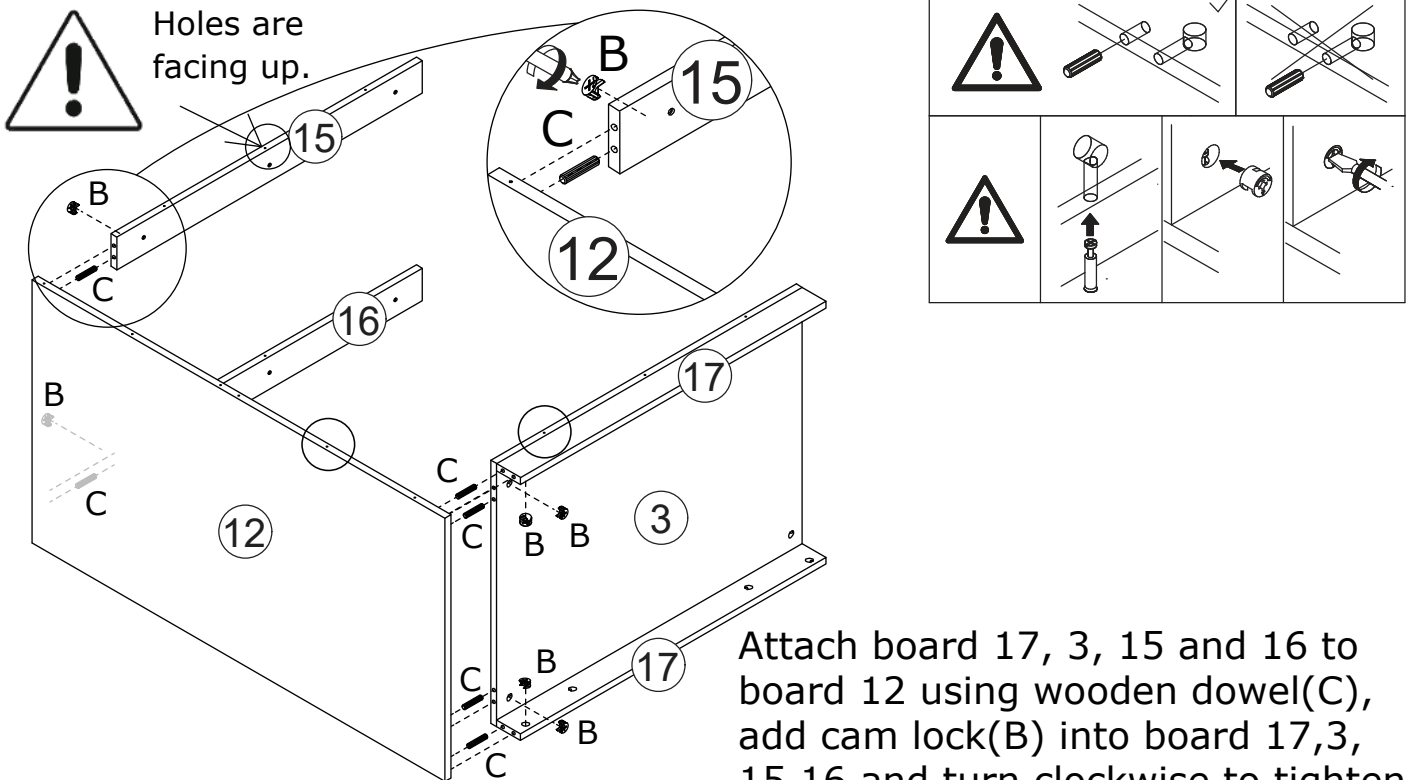
<p>A x 6</p>  <p>CRA0635A</p>	<p>H x 2</p>  <p>CRD3514A</p>	<p>Q x 1</p>  <p>47x 18 x 12 mm</p>	
--	--	--	---



Screw eccentric rod(A) into board 12 at first.
Fix part(Q) to board 12 with screw(H) as shown.



8

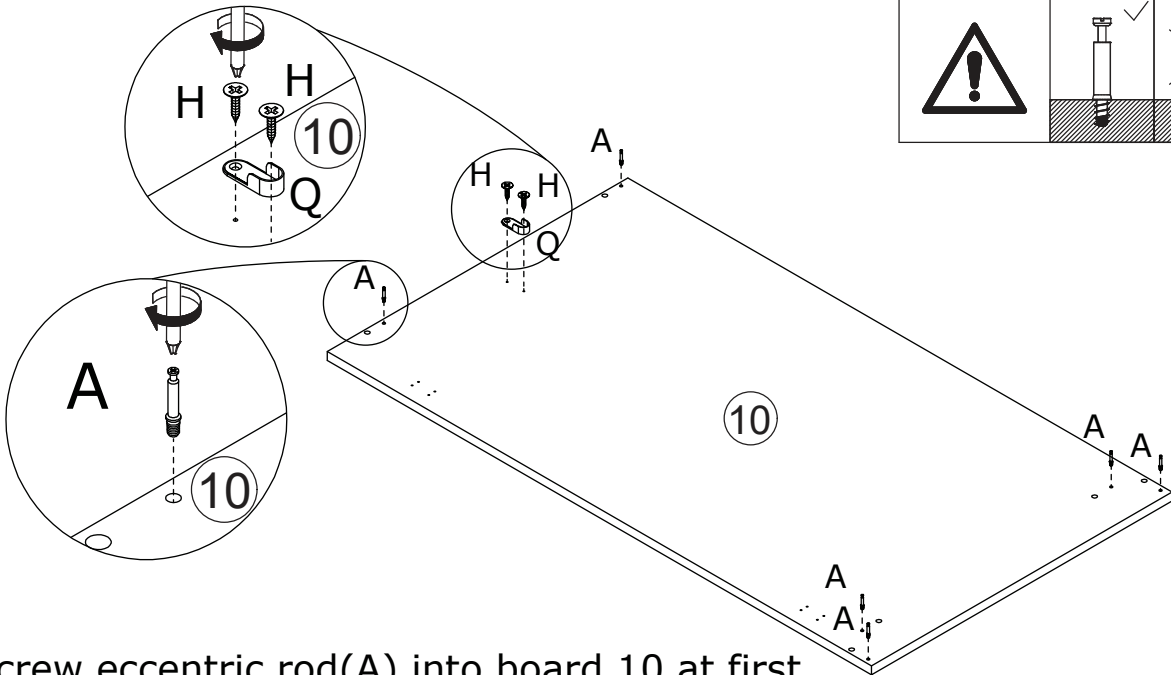
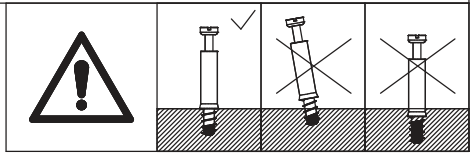
<p>B x 6</p>  <p>CRB1595A</p>	<p>C x 6</p>  <p>CRF0830A</p>	
--	--	---



Attach board 17, 3, 15 and 16 to board 12 using wooden dowel(C), add cam lock(B) into board 17,3, 15,16 and turn clockwise to tighten as shown.



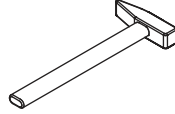
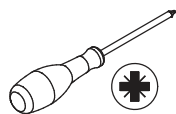
9

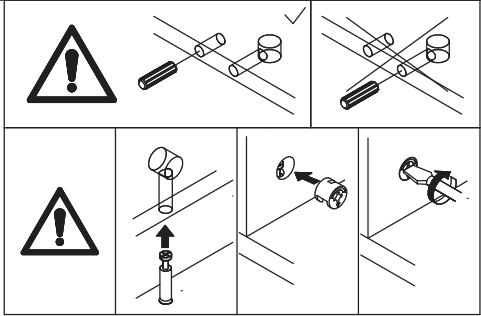
A x 6  CRA0635A	H x 2  CRD3514A	Q x 1  47x 18 x 12 mm	
--	--	--	---



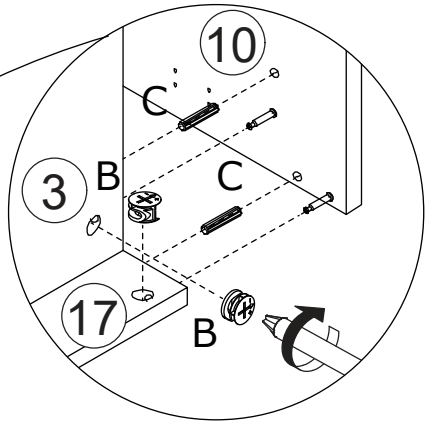
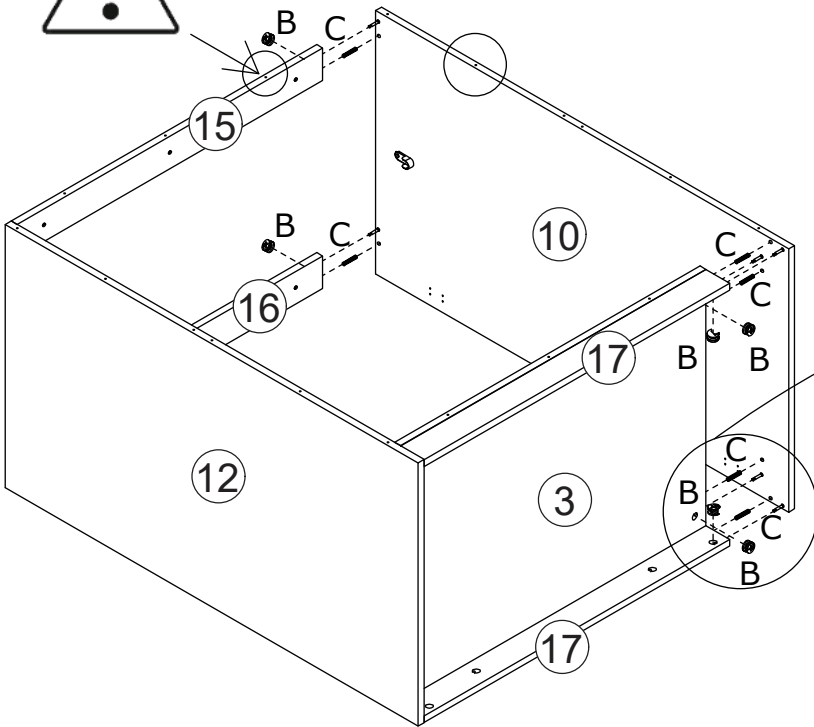
Screw eccentric rod(A) into board 10 at first.
Fix part(Q) to board 10 with screw(H) as shown.

10

B x 6  CRB1595A	C x 6  CRF0830A		
--	--	---	---

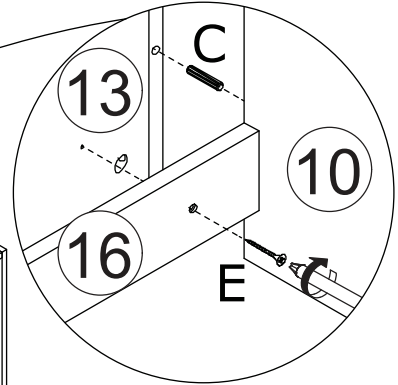
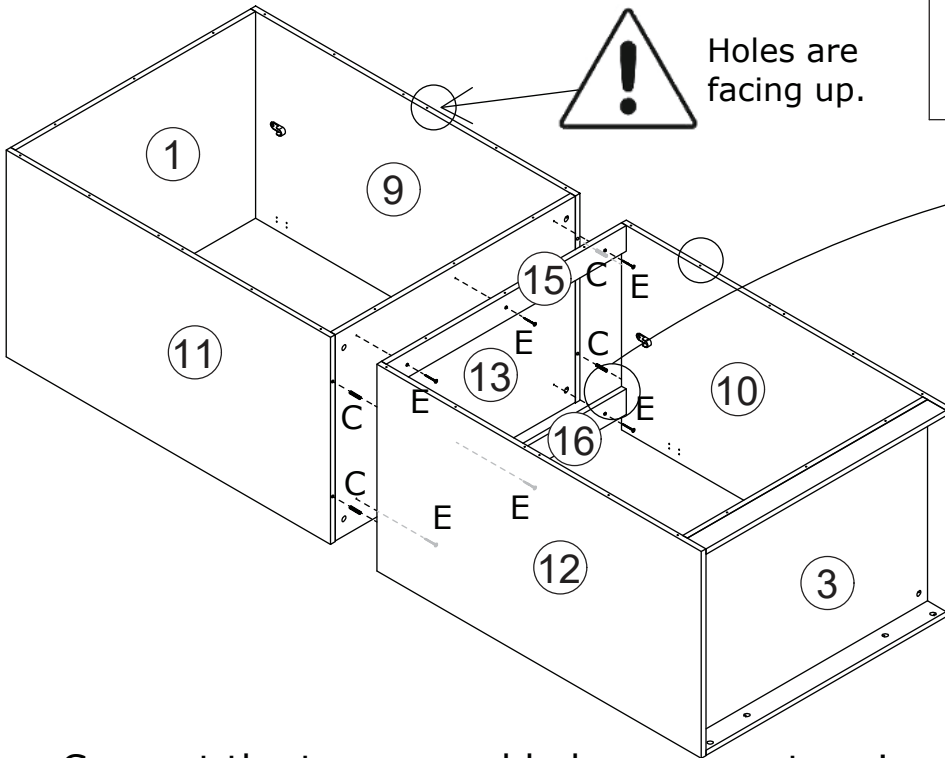
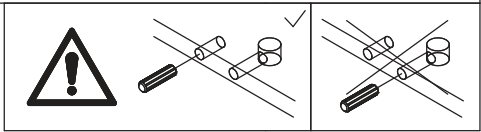
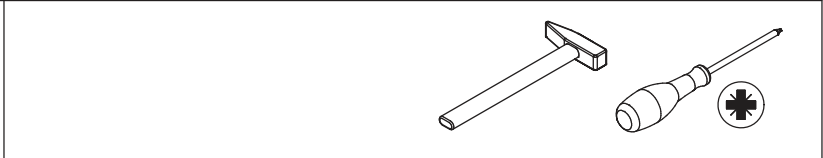


Holes are facing up.



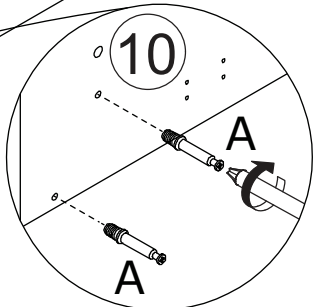
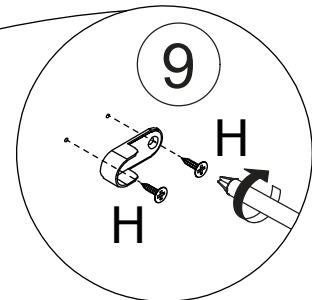
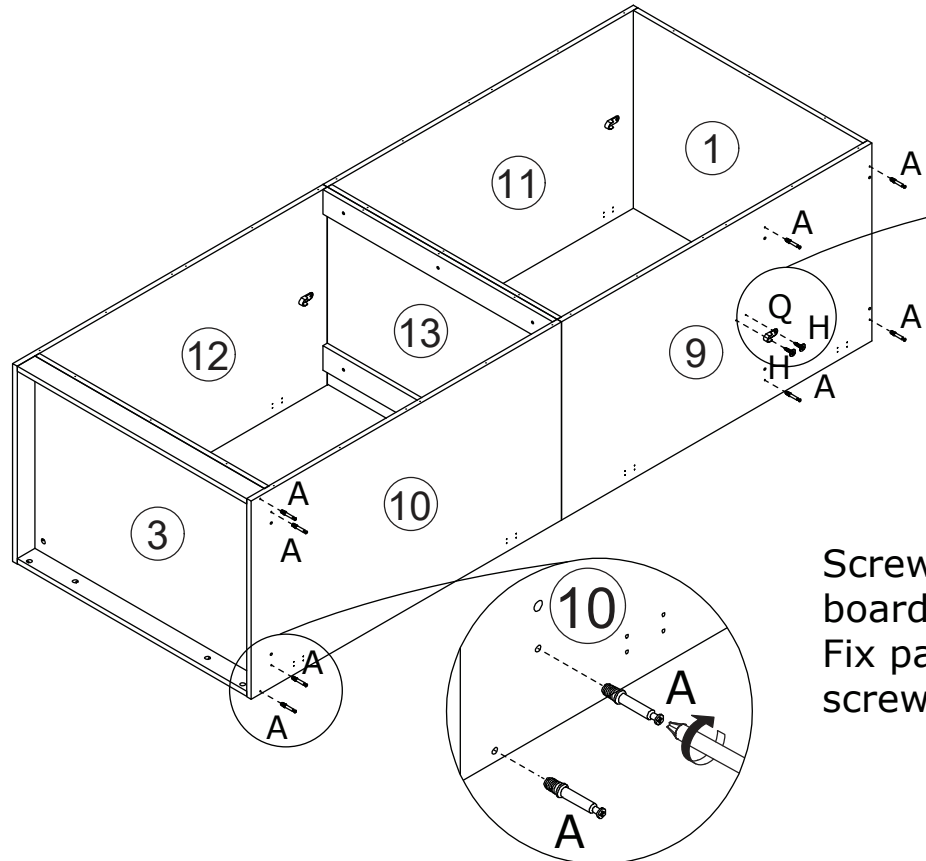
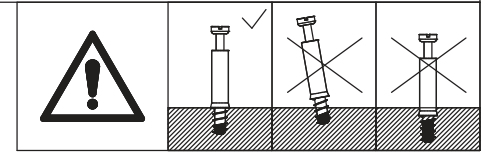
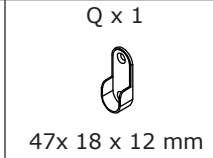
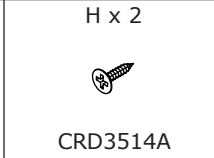
Attach board 10 to board 17, 3, 15 and 16 using wooden dowel(C),
add cam lock(B) into and turn clockwise to tighten as shown.

11



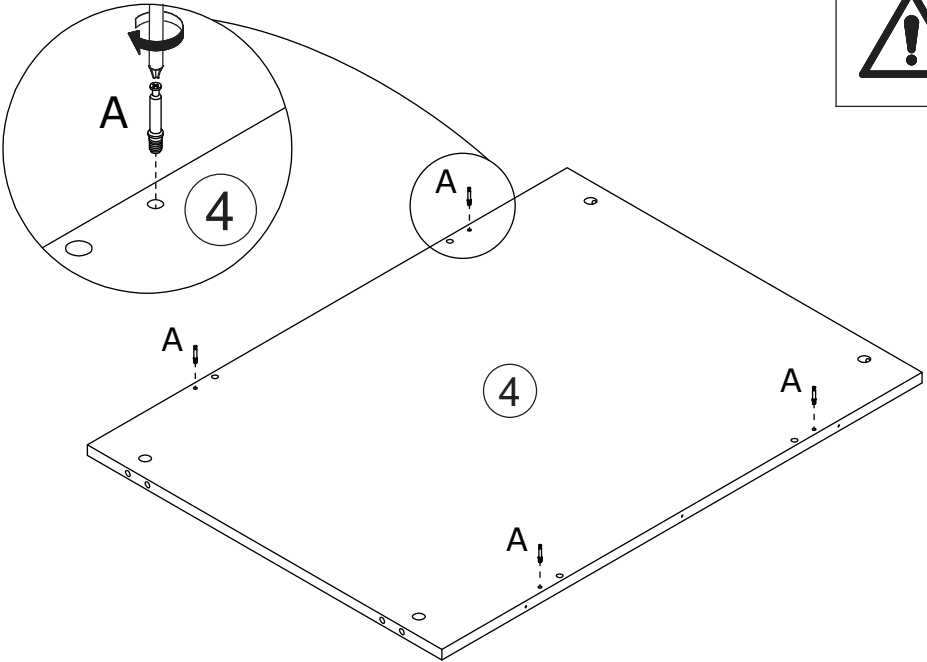
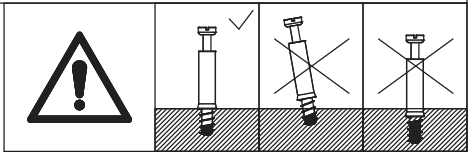
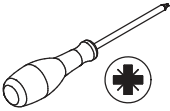
Connect the two assembled components using wooden dowel(C), and fix board 15 and 16 to board 13 with screw(E) as shown.

12



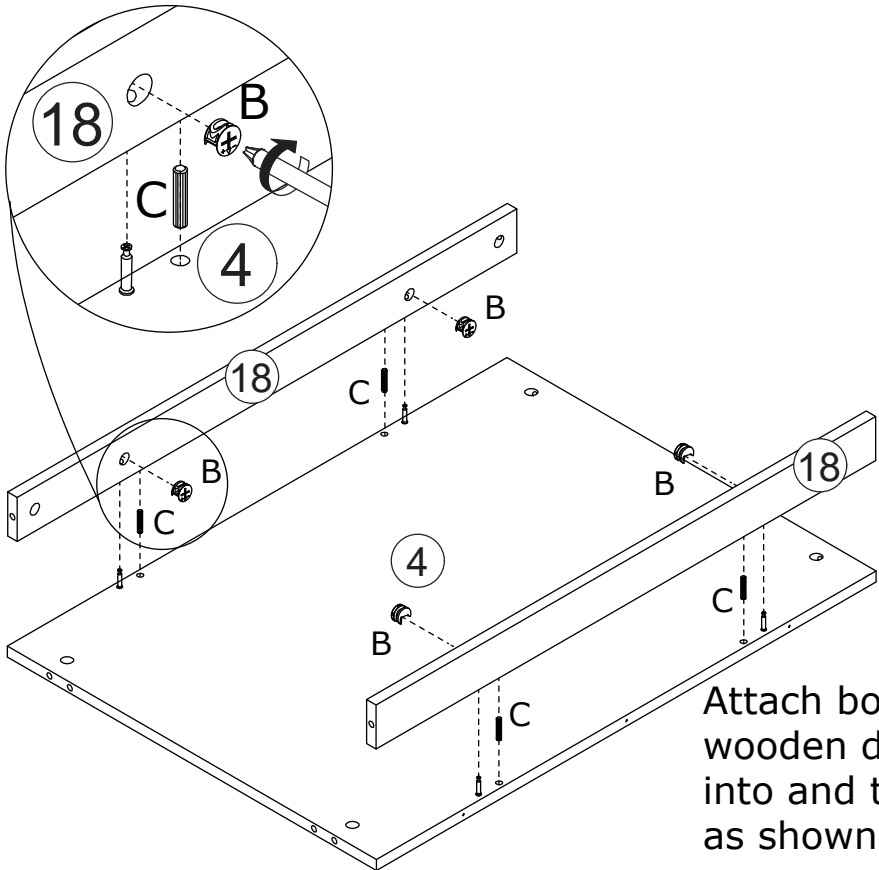
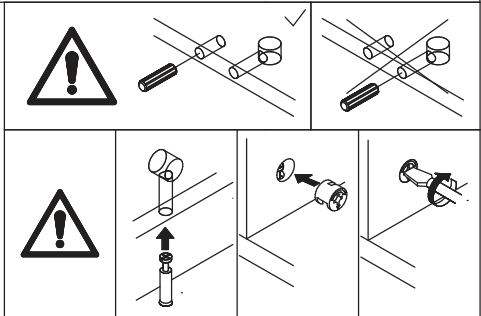
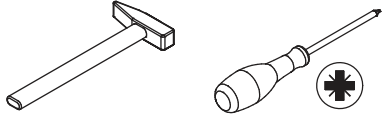
Screw eccentric rod(A) into board 9 and 10 at first. Fix part(Q) to board 9 with screw(H) as shown.

13



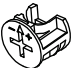

Screw eccentric rod(A) into board 4 at first.

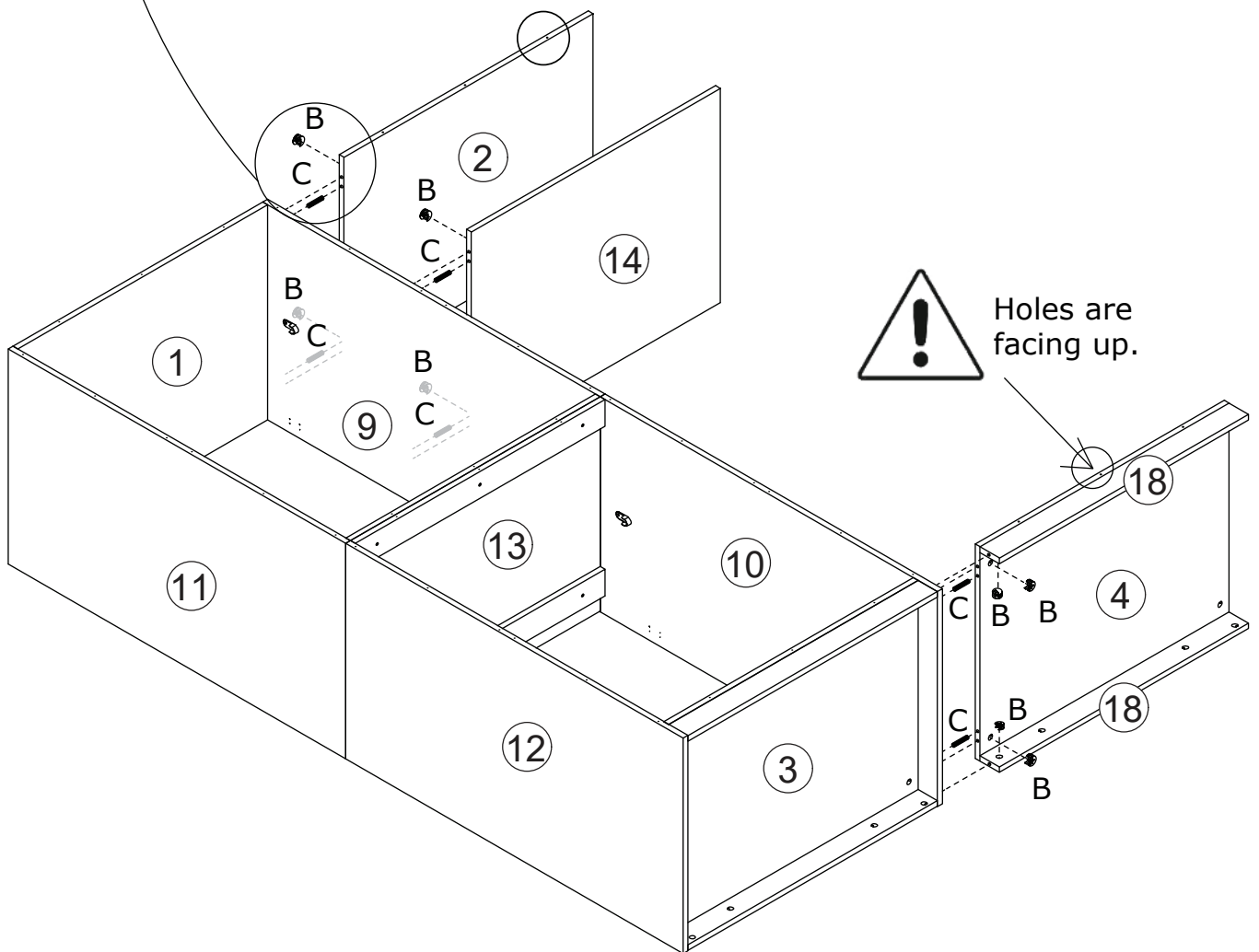
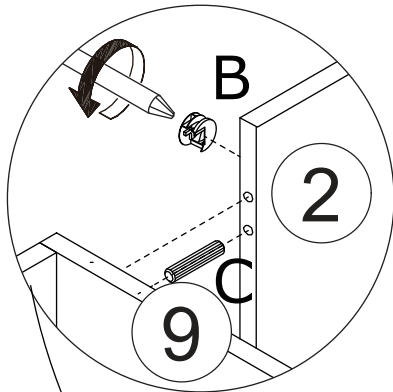
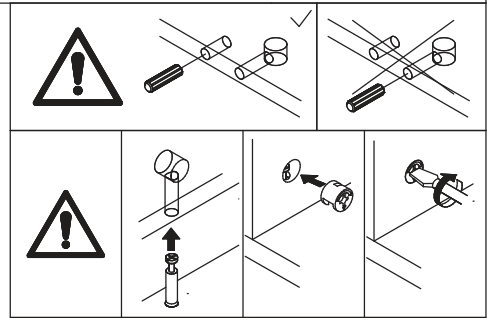
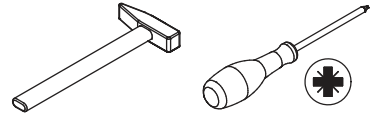
14



Attach board 18 to board 4 using wooden dowel(C), add cam lock(B) into and turn clockwise to tighten as shown.

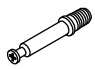


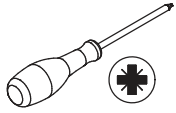
15

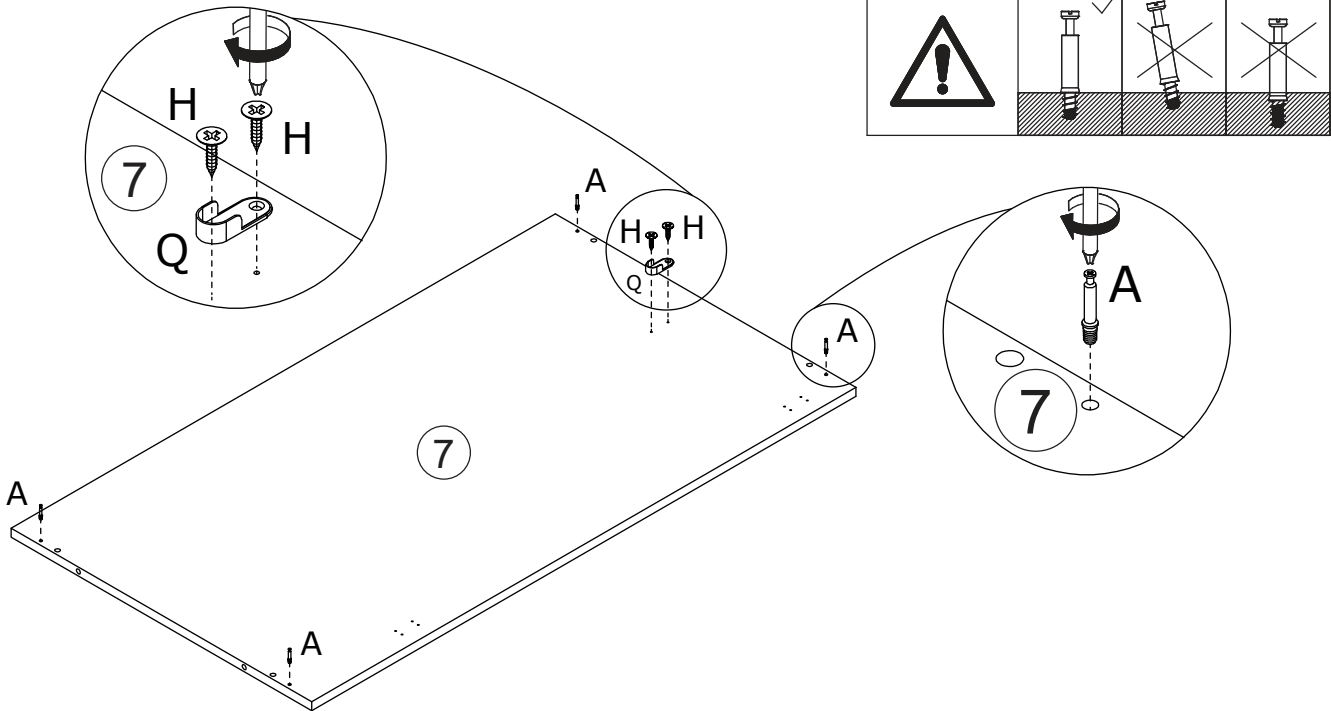
B x 8  CRB1595A	C x 6  CRF0830A
--	--



Attach board 4, 14 and 2 to board 10 and 9 using wooden dowel(C), add cam lock(B) into and turn clockwise to tighten as shown.

16

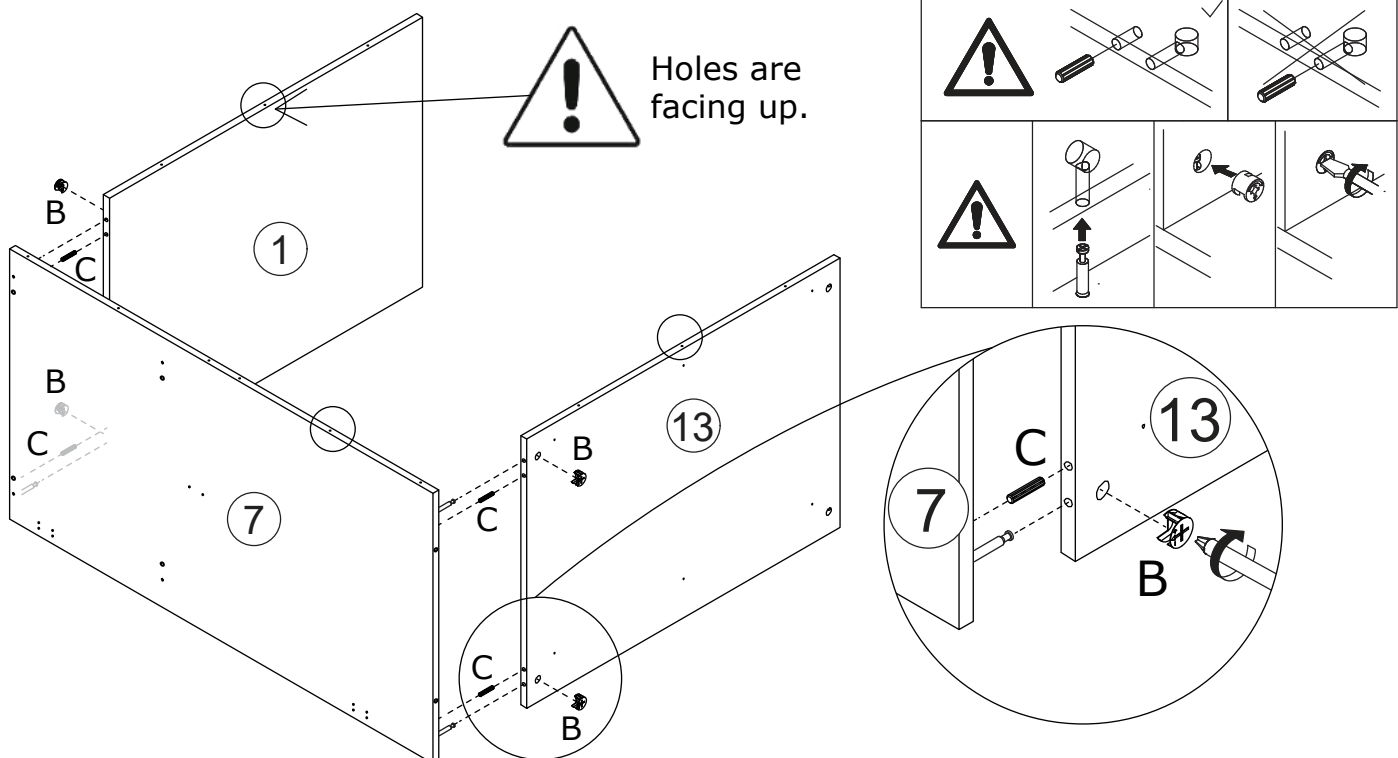
A x 4  CRA0635A	H x 2  CRD3514A	Q x 1  47x 18 x 12 mm	
--	--	--	---



Screw eccentric rod(A) into board 7 at first.
Fix part(Q) to board 7 with screw(H) as shown.




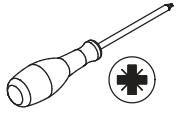
17

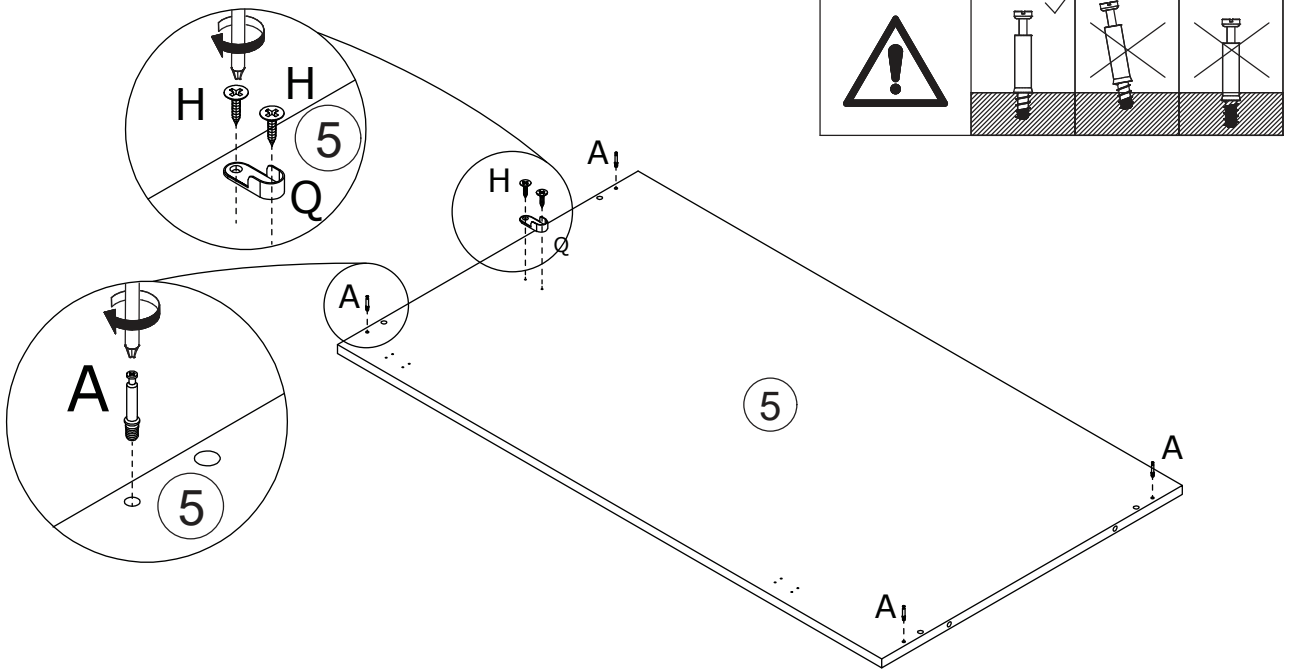
B x 4  CRB1595A	C x 4  CRF0830A		
--	--	---	---



Attach board 1 and 13 to board 7 using wooden dowel(C),
add cam lock(B) into and turn clockwise to tighten as shown.

18

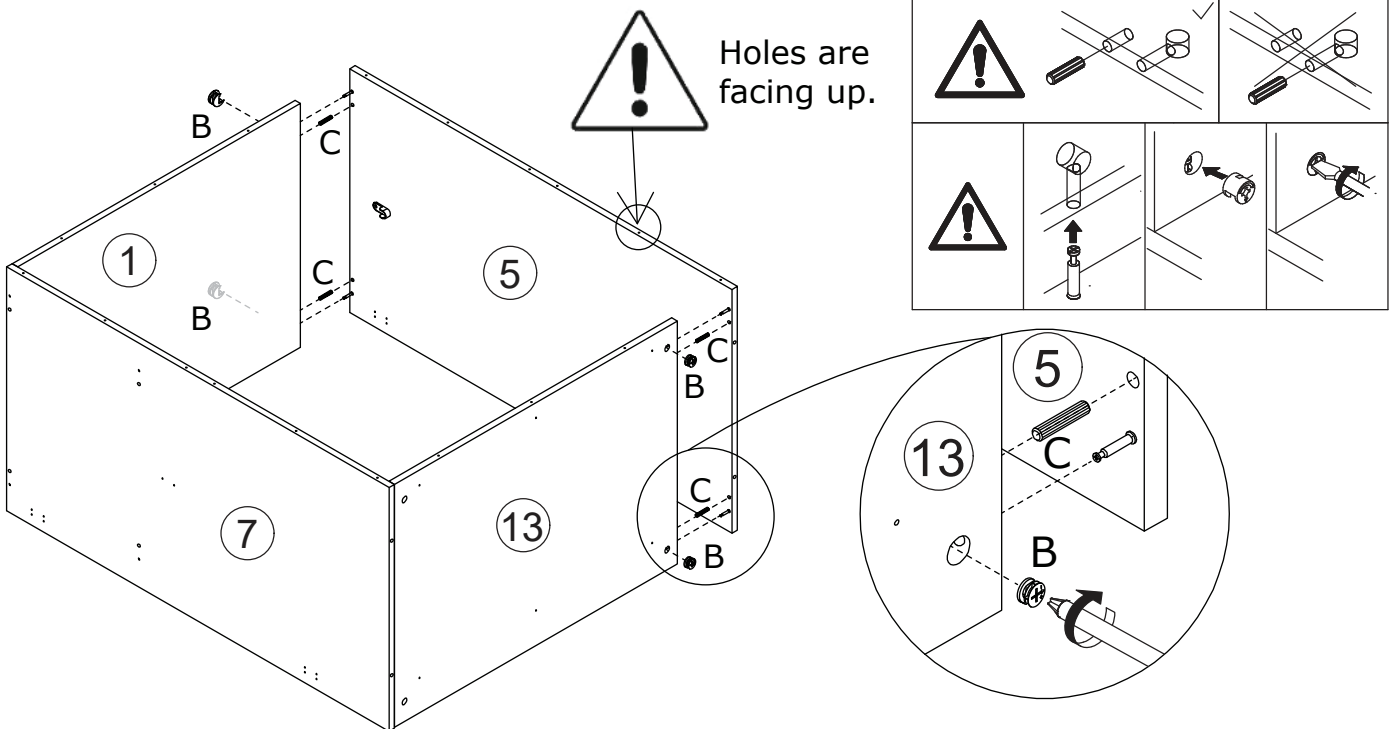
A x 4  CRA0635A	H x 2  CRD3514A	Q x 1  47x 18 x 12 mm	
--	--	--	---



Screw eccentric rod(A) into board 5 at first.
Fix part(Q) to board 5 with screw(H) as shown.

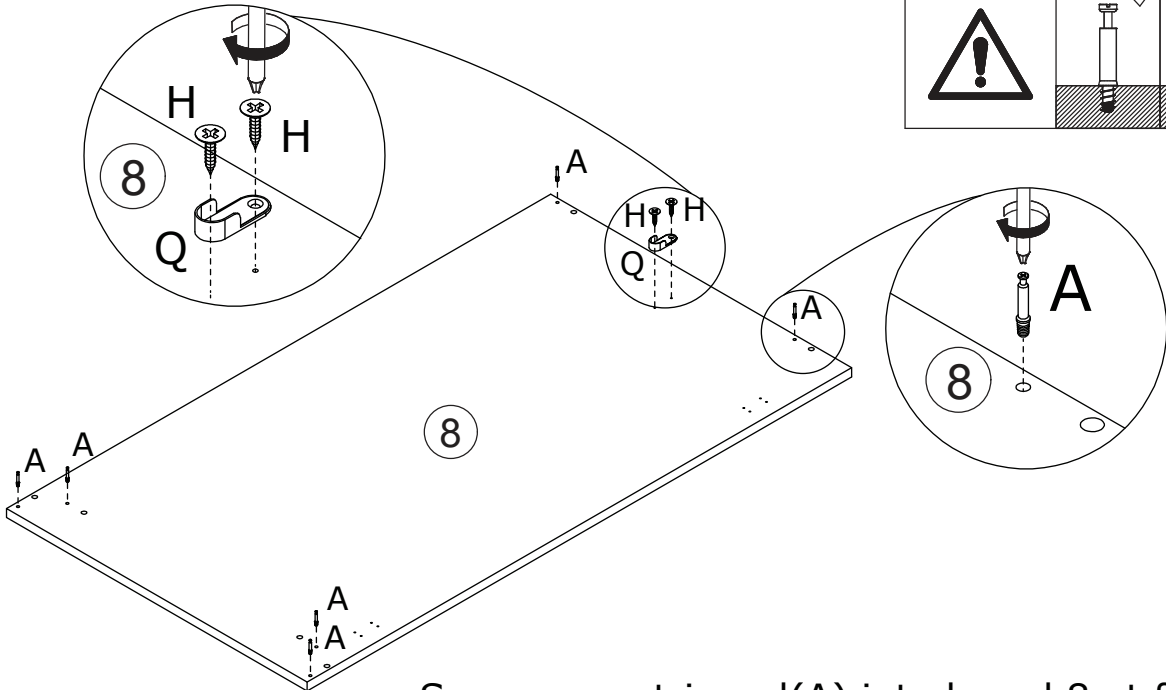
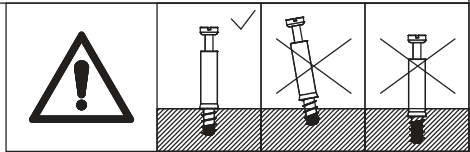
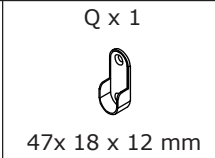
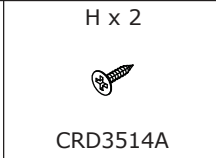
19

B x 4  CRB1595A	C x 4  CRF0830A	 
--	--	---



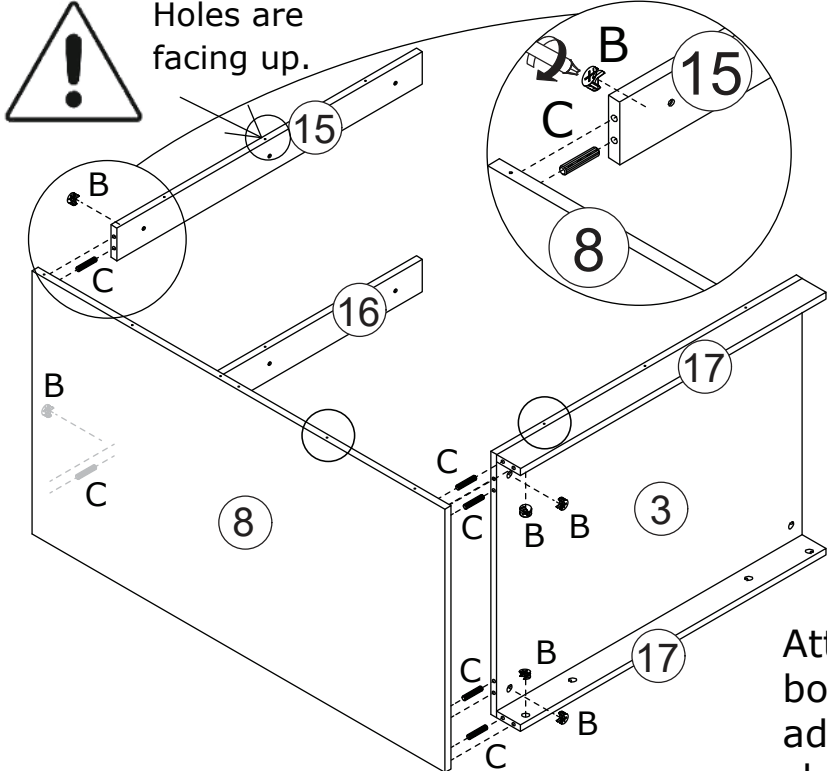
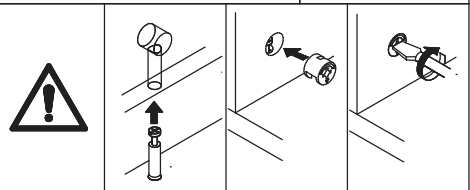
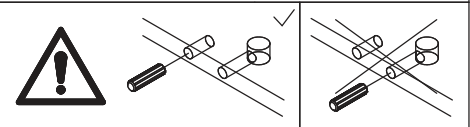
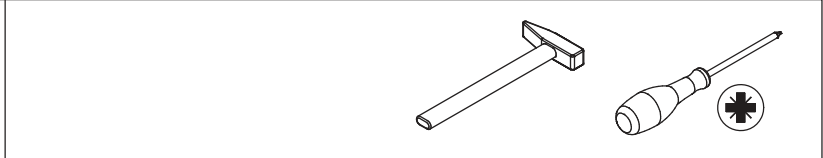
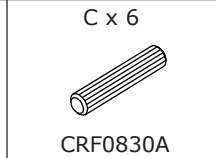
Attach board 5 to board 1 and 13 using wooden dowel(C),
add cam lock(B) into and turn clockwise to tighten as shown.

20



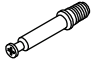


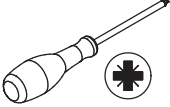
Screw eccentric rod(A) into board 8 at first.
Fix part(Q) to board 8 with screw(H) as shown.

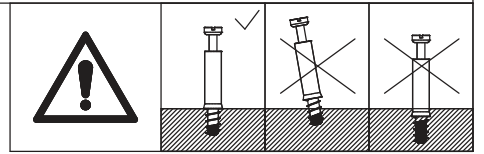
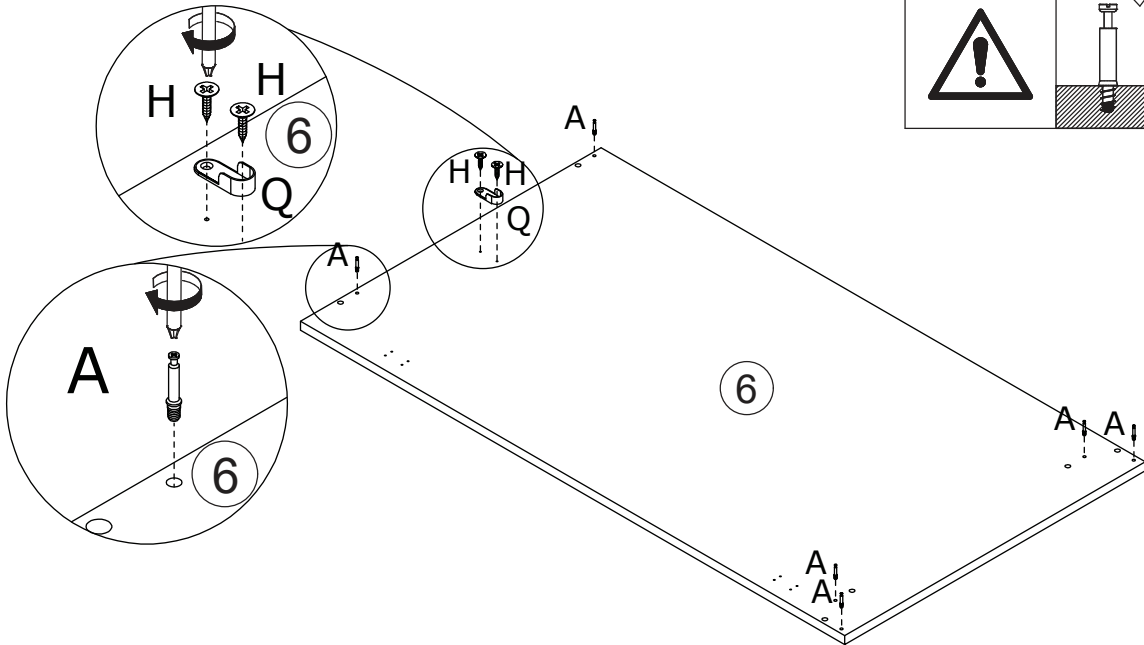
21



Attach board 3, 17, 15 and 16 to board 8 using wooden dowel(C), add cam lock(B) into and turn clockwise to tighten as shown.

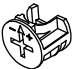
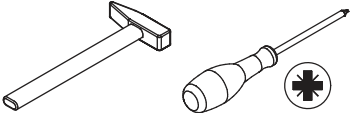
22

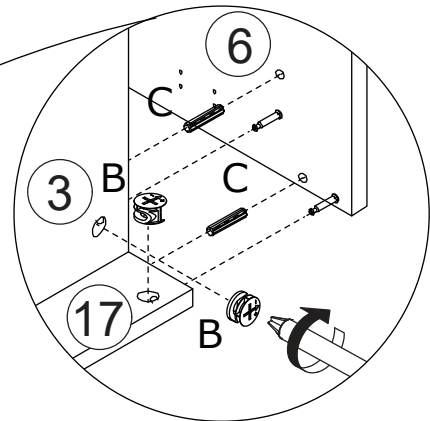
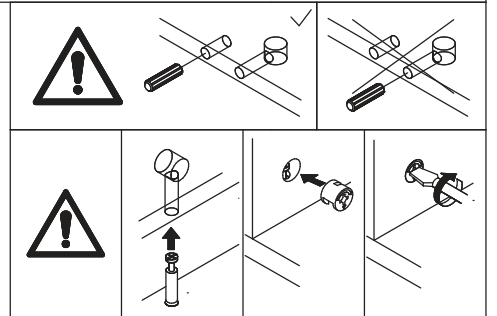
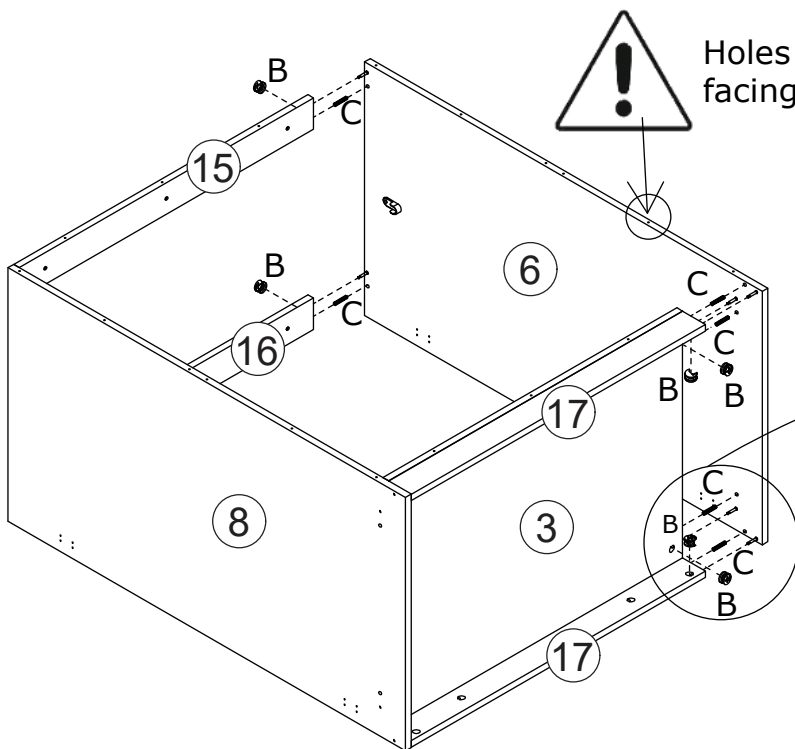
<p>A x 6</p>  <p>CRA0635A</p>	<p>H x 2</p>  <p>CRD3514A</p>	<p>Q x 1</p>  <p>47x 18 x 12 mm</p>	
--	--	--	---



Screw eccentric rod(A) into board 6 at first.
Fix part(Q) to board 6 with screw(H) as shown.

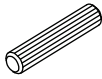

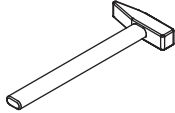
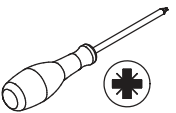
23

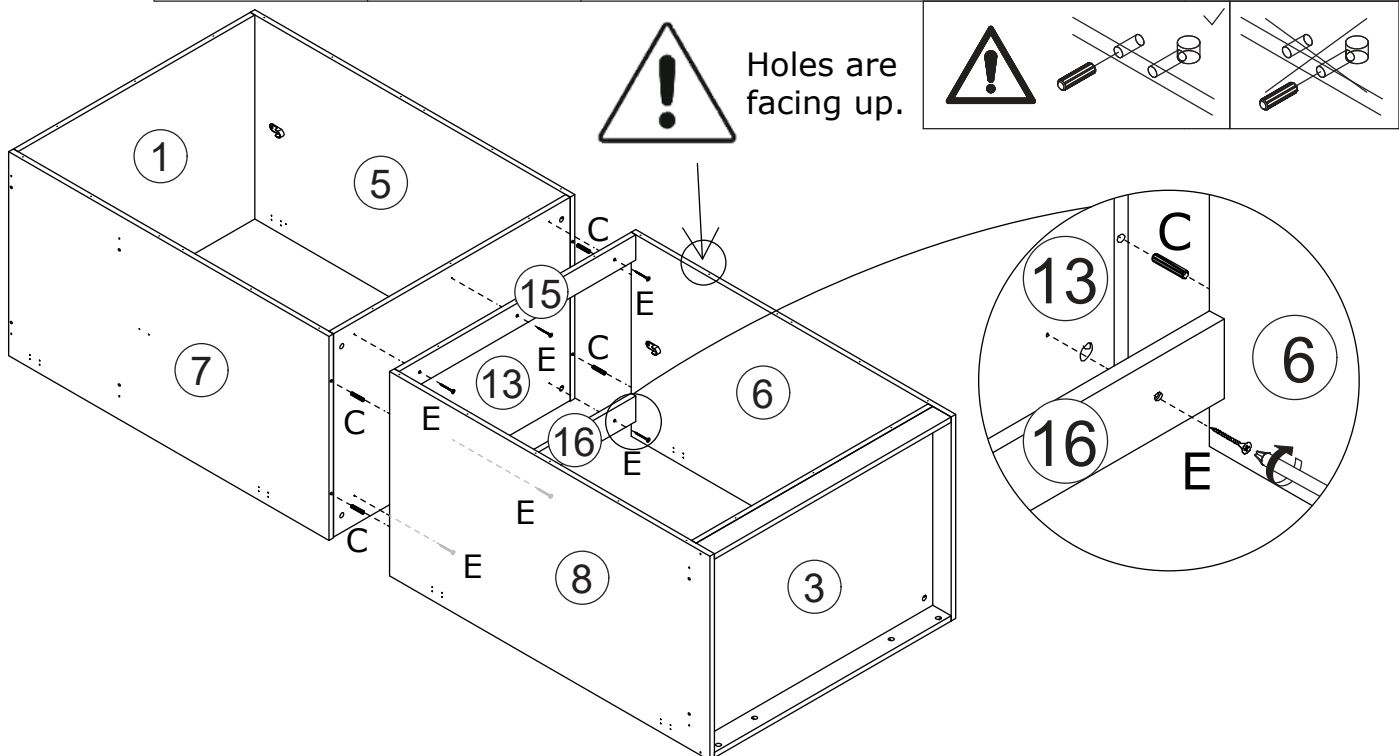
<p>B x 6</p>  <p>CRB1595A</p>	<p>C x 6</p>  <p>CRF0830A</p>	
--	--	---



Attach board 6 to board 3, 17, 15 and 16 using wooden dowel(C),
add cam lock(B) into and turn clockwise to tighten as shown.




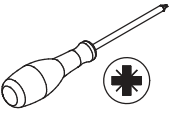
24

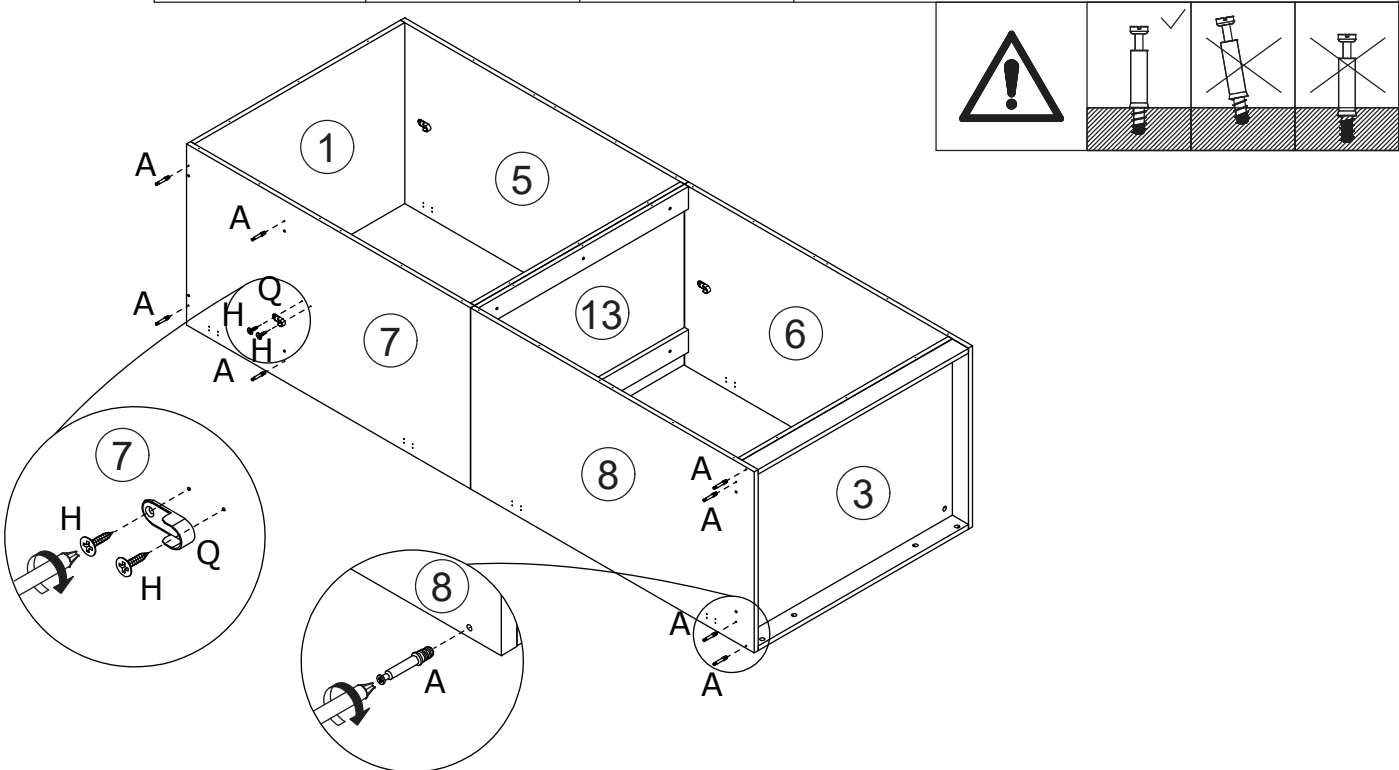
C x 4  CRF0830A	E x 6  CRD0425A	 
--	--	---



Connect the two assembled components using wooden dowel(C), and fix board 15 and 16 to board 13 with screw(E) as shown.

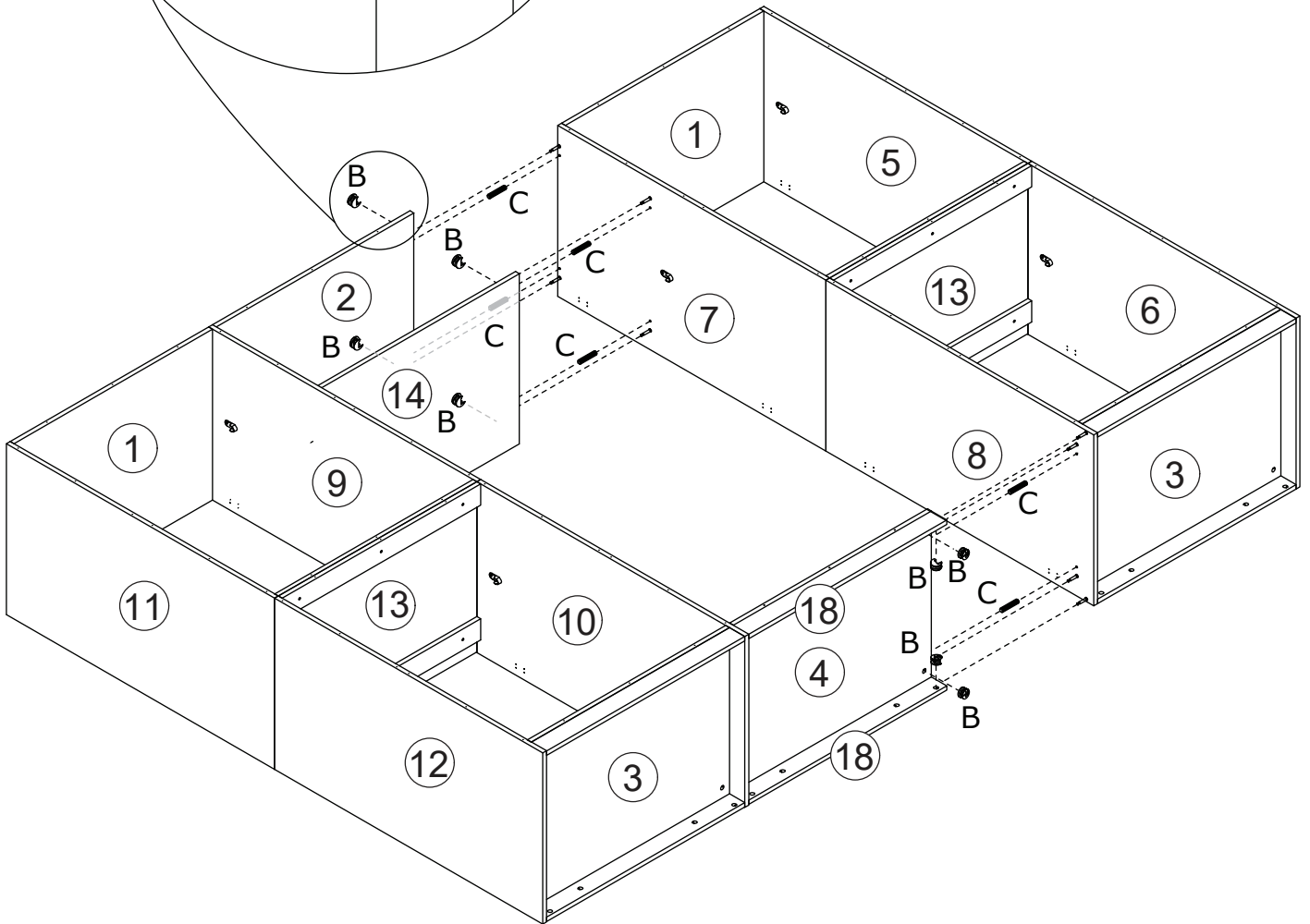
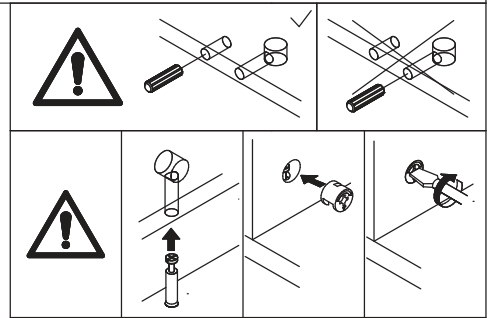
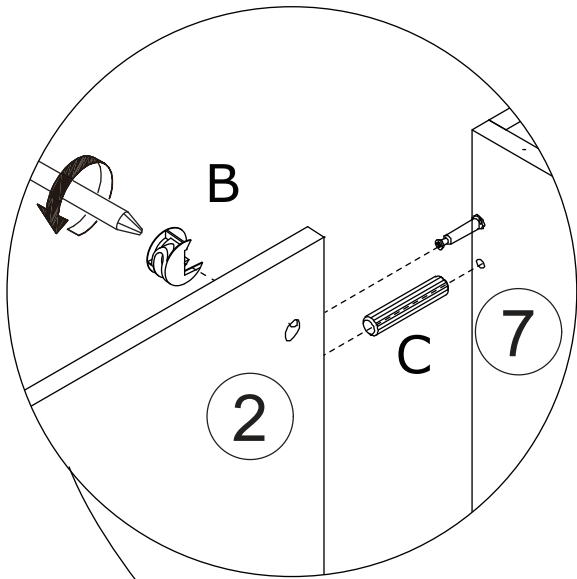
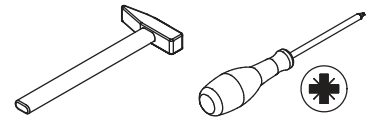
25

A x 8  CRA0635A	H x 2  CRD3514A	Q x 1  47x 18 x 12 mm	
--	--	--	---



Screw eccentric rod(A) into board 7 and 8 at first. Fix part(Q) to board 7 with screw(H) as shown.

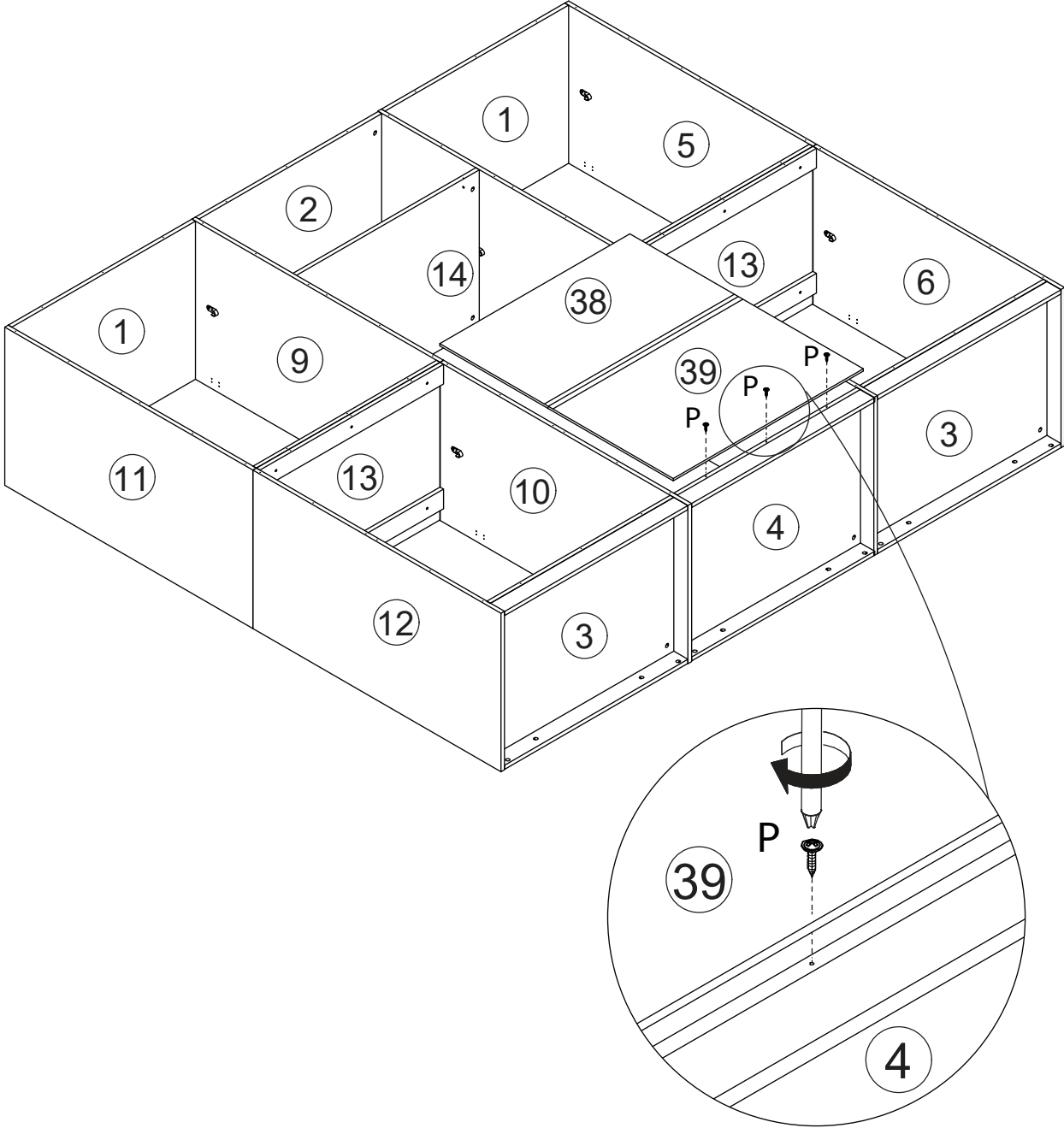
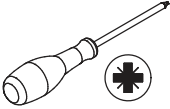
26



Attach the component (assembled in step 15) to board 7 and 8 using wooden dowel(C), add cam lock(B) into and turn clockwise to tighten as shown.

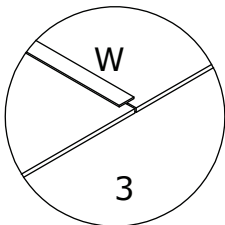
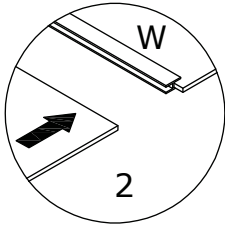
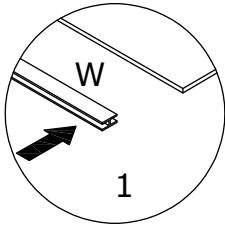
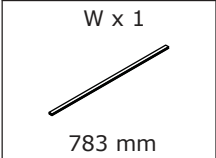
27

P x 3
CRE0312A

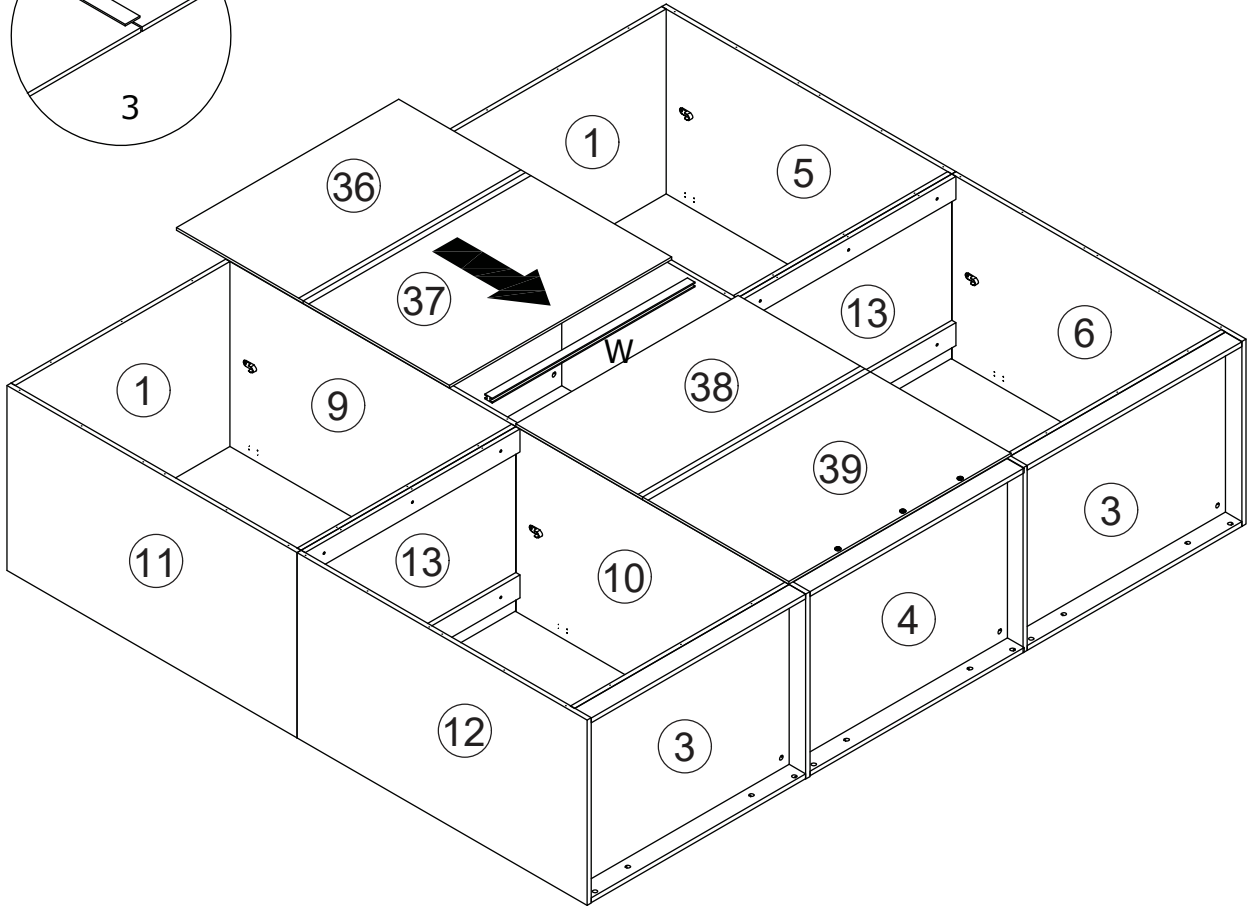


Fix back board 38 and 39 to board 4 with screw(P) as shown.




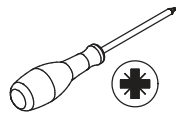
28



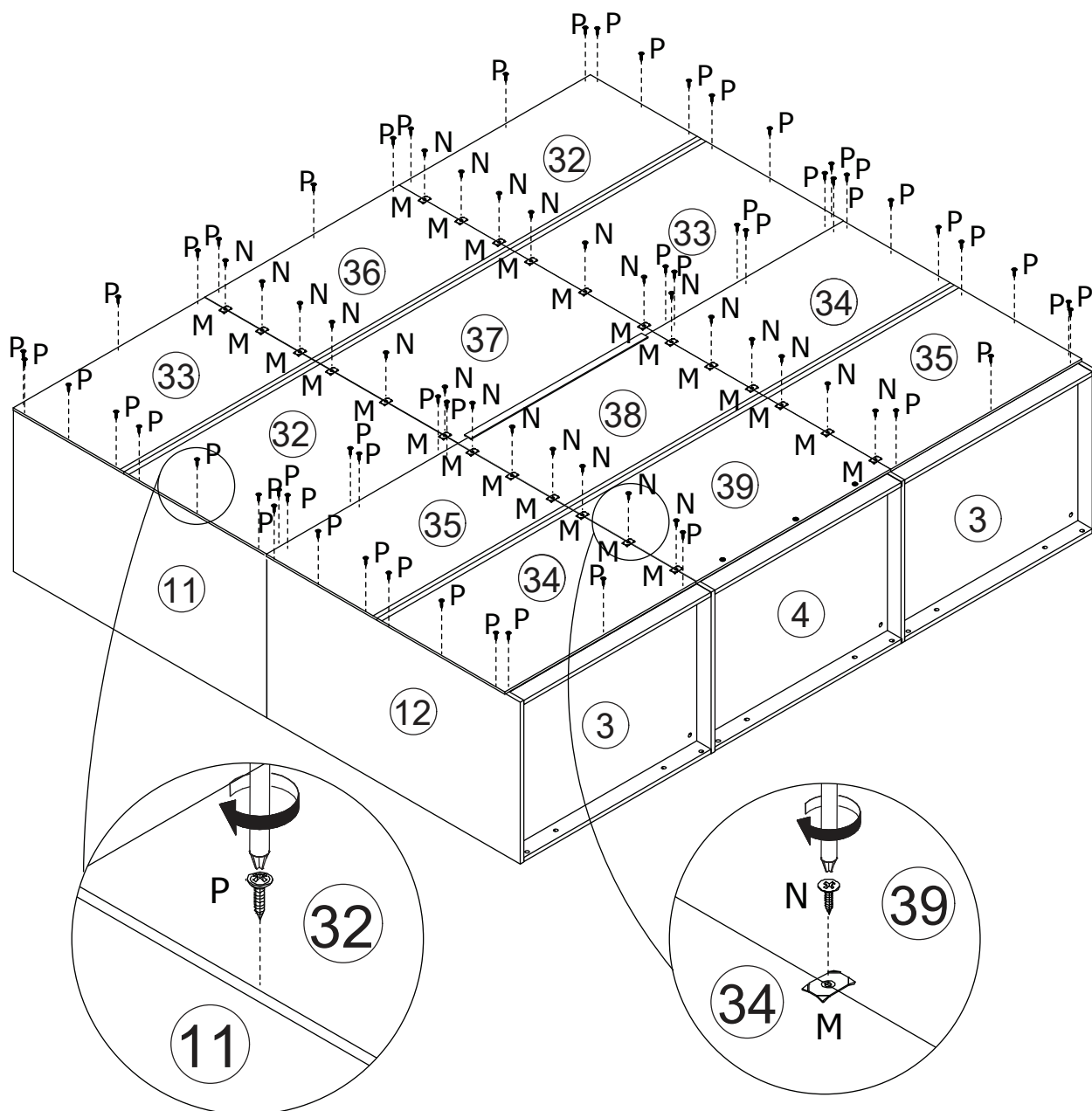
Connect back board 37 and 38 to plank(W) at first.



29

M x 24  15.5 x 10 x 1.2 mm	N x 24  CRD0316A	P x 51  CRE0312A	
---	---	---	---

Fix back board 32, 33, 34, 35 and 36 to the cabinet with screw(P) at first.
Use iron sheet(M) to fix back board 32, 33, 34, 35, 36, 37, 38 and 39 with screw(N) as shown.

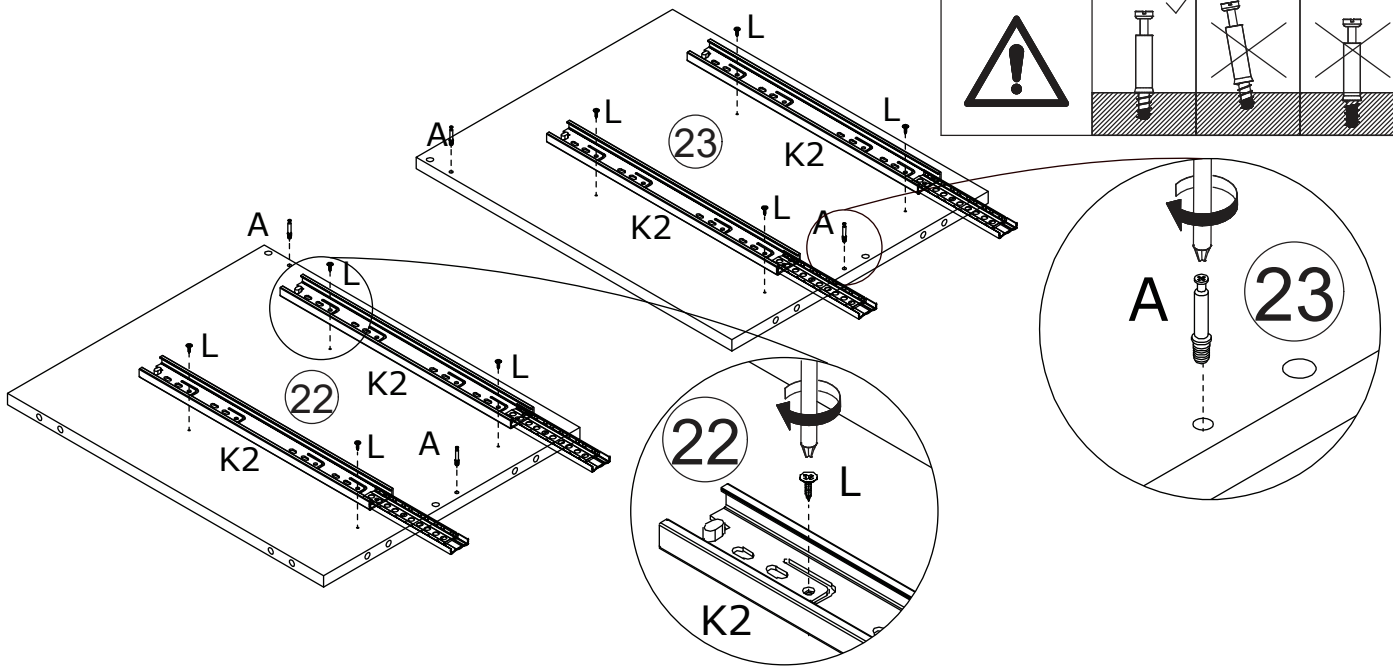
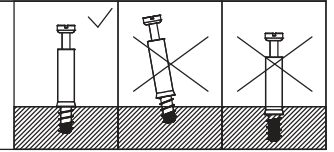
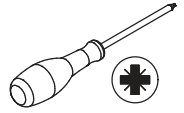


30

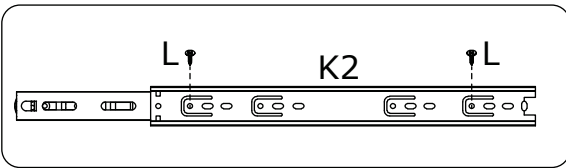
A x 4
CRA0635A

K x 4
#4512 14"

L x 8
CRD3512A

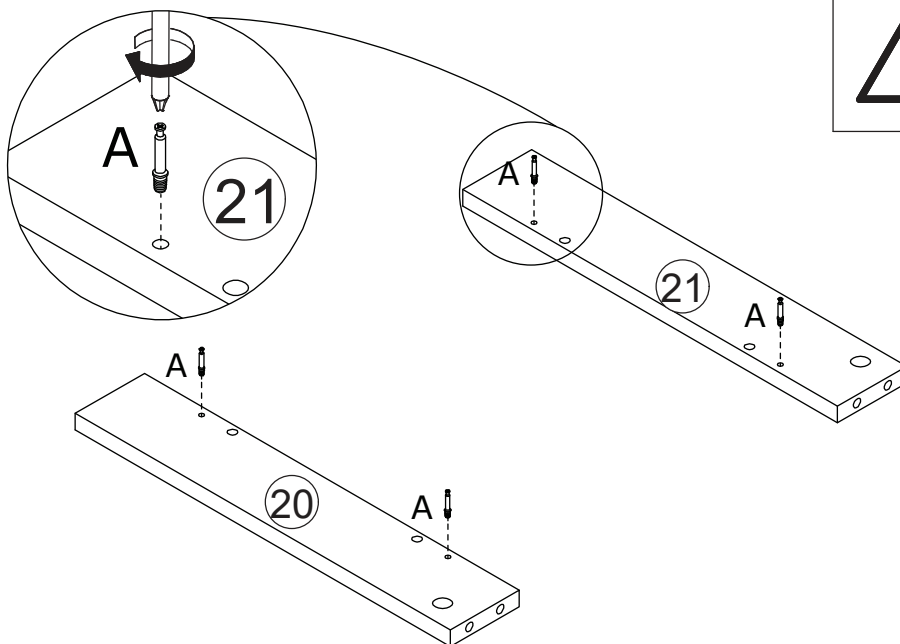
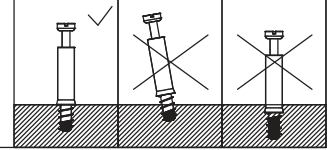
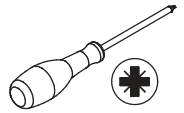


Fix rail(K2) to board 22 and 23 with screw(L) as shown.
Screw eccentric rod(A) into board 22 and 23 at first.





31

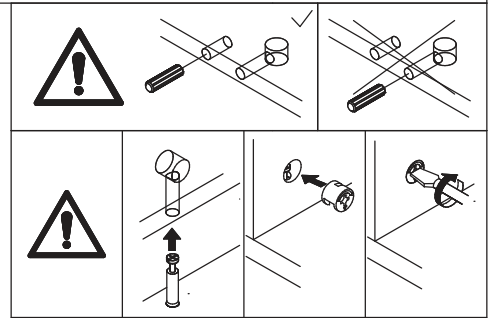
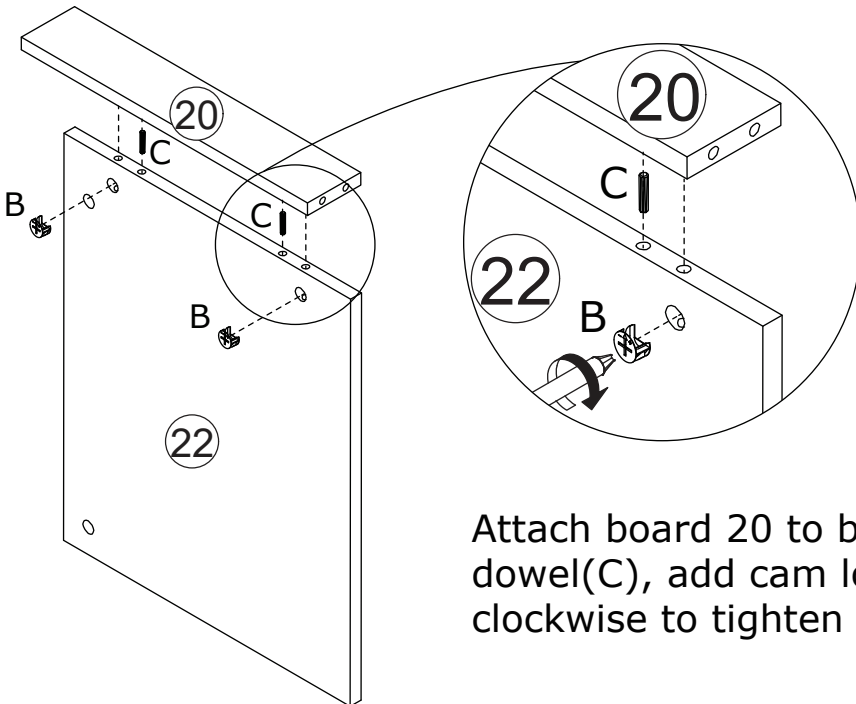
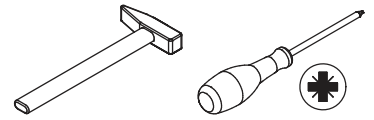
A x 4
CRA0635A



Screw eccentric rod(A) into board 20 and 21 at first.



32

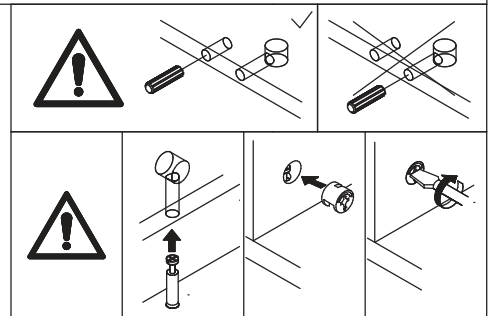
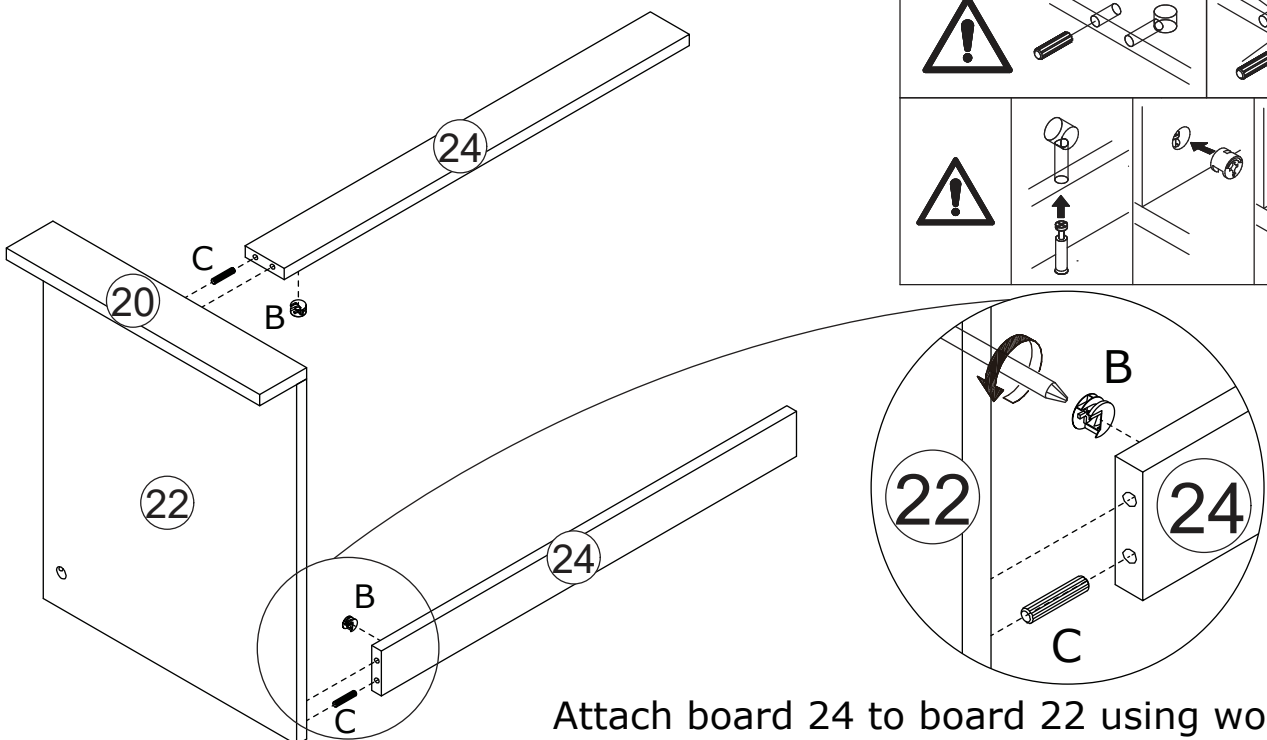
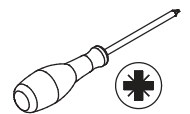
B x 2  CRB1595A	C x 2  CRF0830A
--	--



Attach board 20 to board 22 using wooden dowel(C), add cam lock(B) into and turn clockwise to tighten as shown.


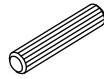
33

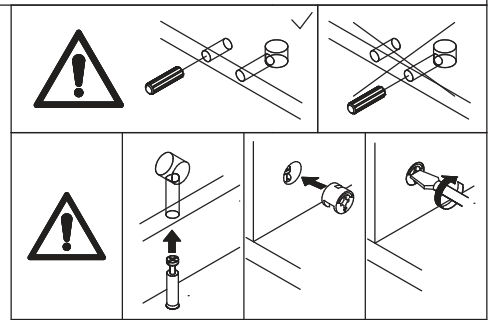
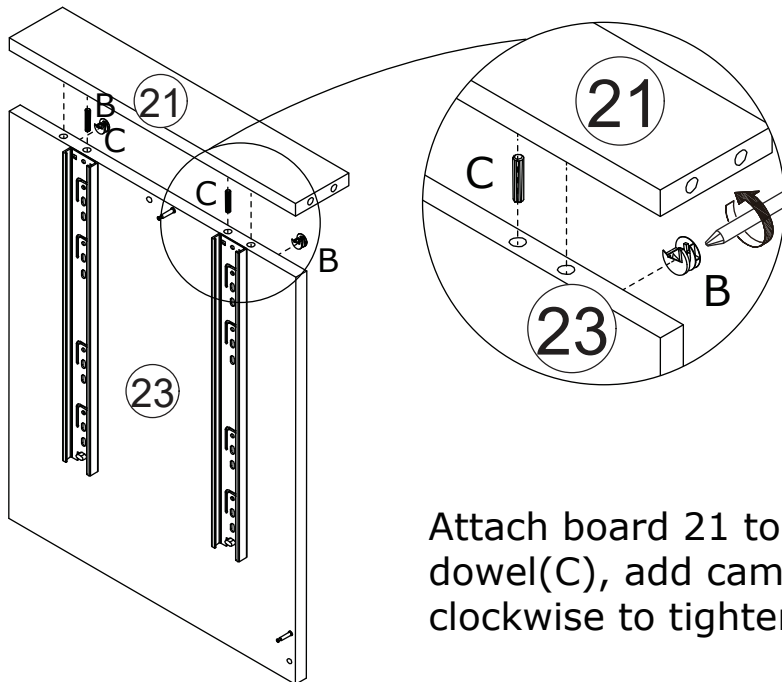
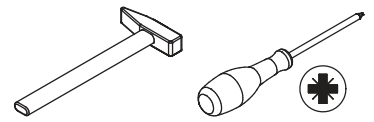
B x 2  CRB1595A	C x 2  CRF0830A
--	--



Attach board 24 to board 22 using wooden dowel(C), add cam lock(B) into and turn clockwise to tighten as shown.

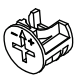
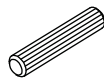
34

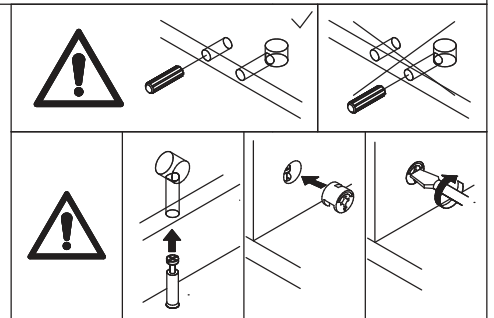
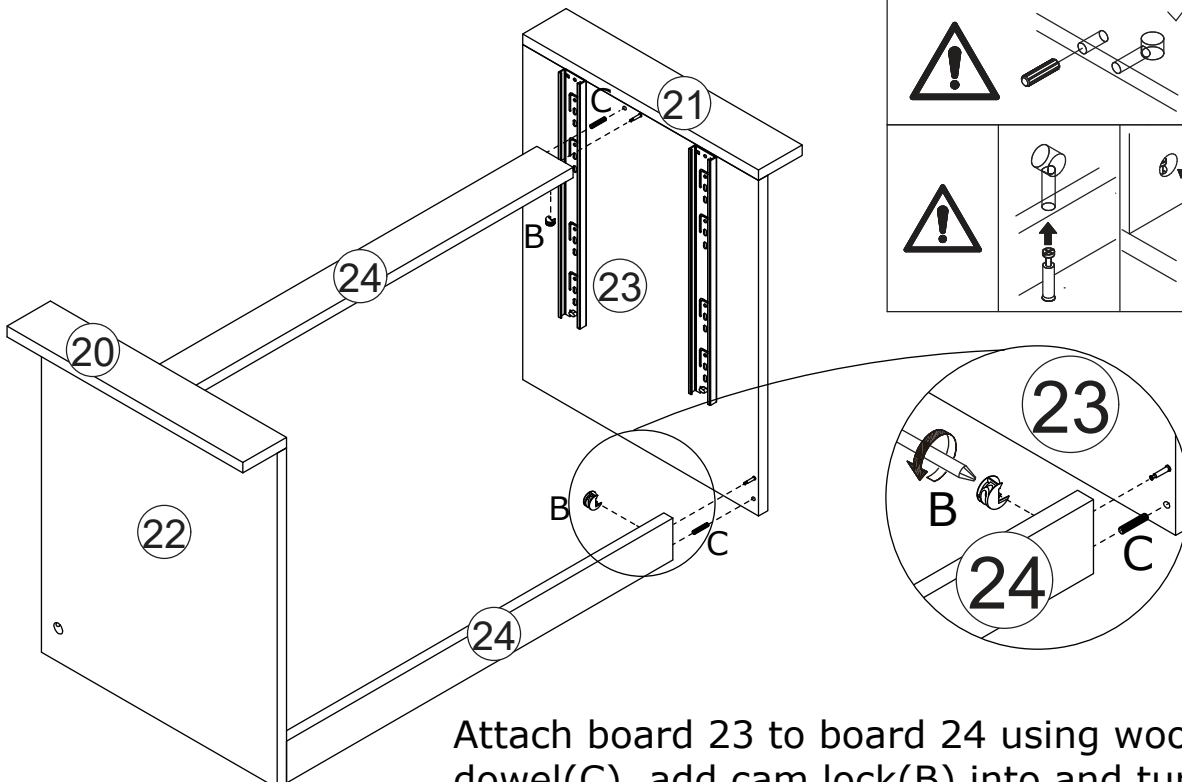
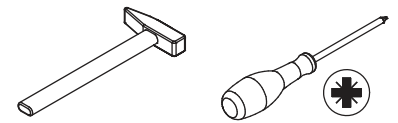
B x 2  CRB1595A	C x 2  CRF0830A
--	--



Attach board 21 to board 23 using wooden dowel(C), add cam lock(B) into and turn clockwise to tighten as shown.

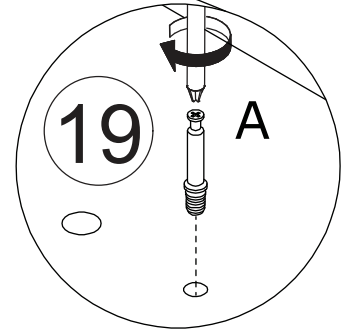
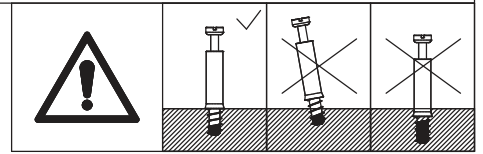
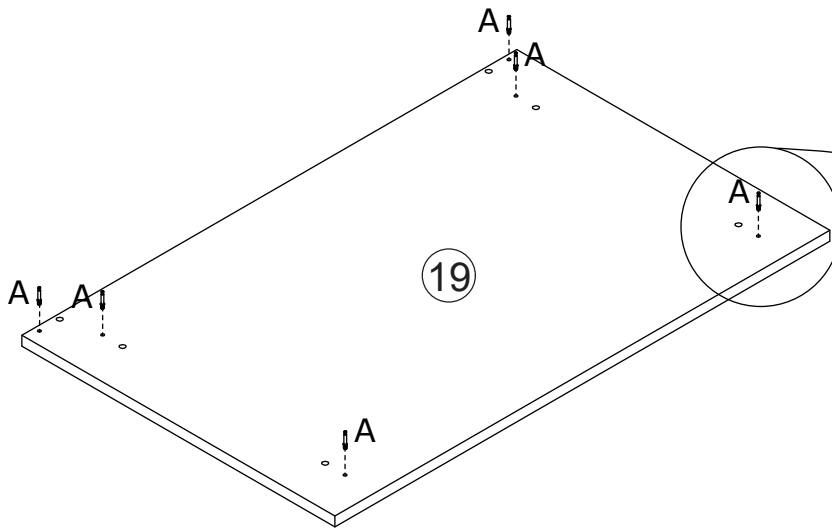
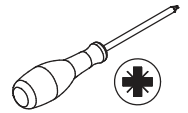
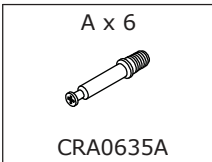
35

B x 2  CRB1595A	C x 2  CRF0830A
--	--



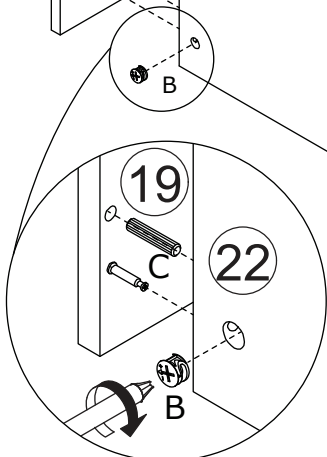
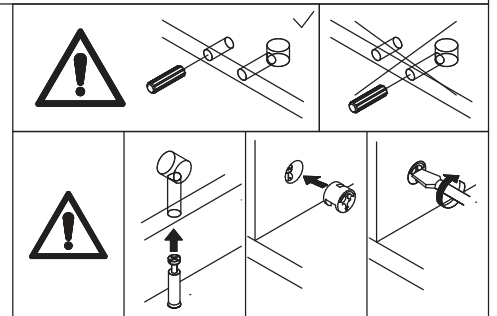
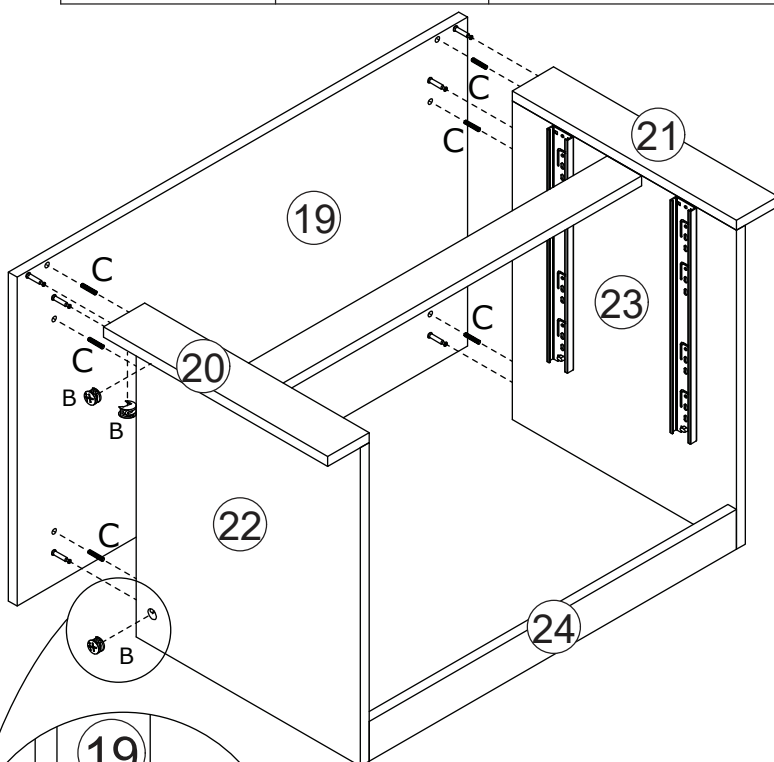
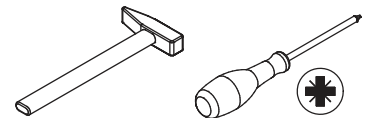
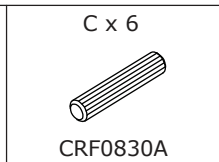
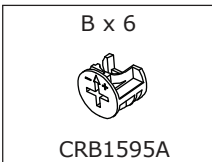
Attach board 23 to board 24 using wooden dowel(C), add cam lock(B) into and turn clockwise to tighten as shown.

36



Screw eccentric rod(A) into board 19 at first.

37

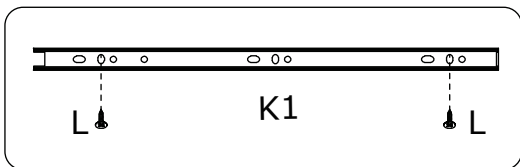
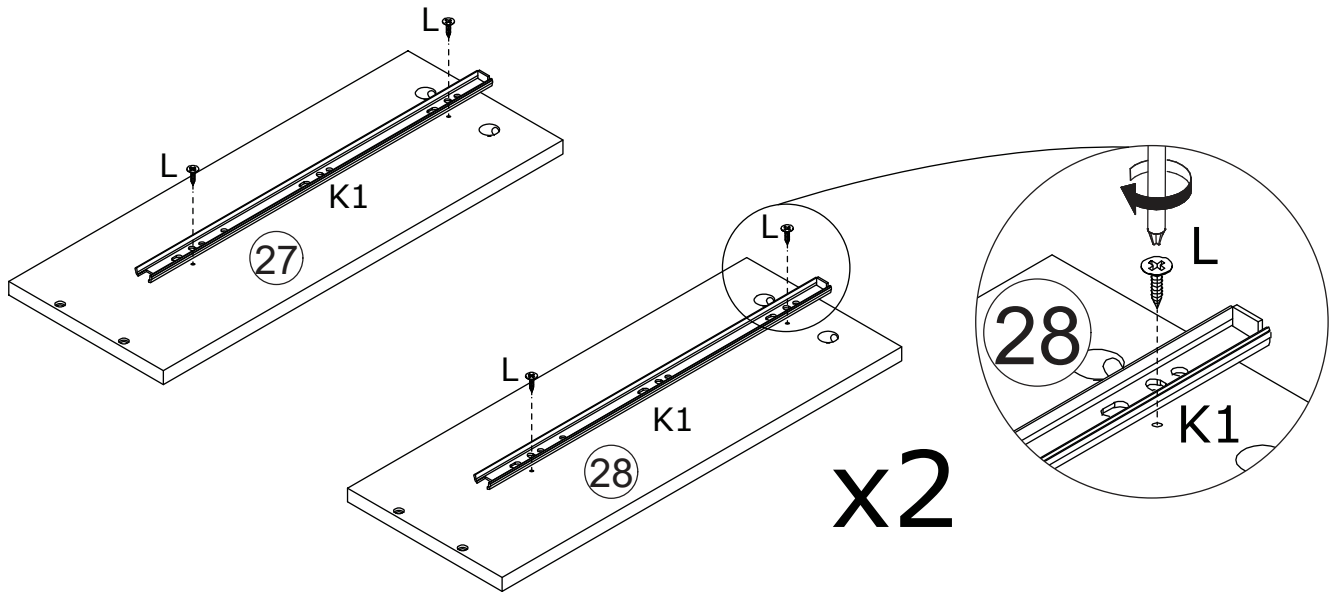
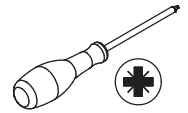


Attach board 19 to board 20, 21, 22 and 23 using wooden dowel(C), add cam lock(B) into and turn clockwise to tighten as shown.

38

K x 4
#4512 14"

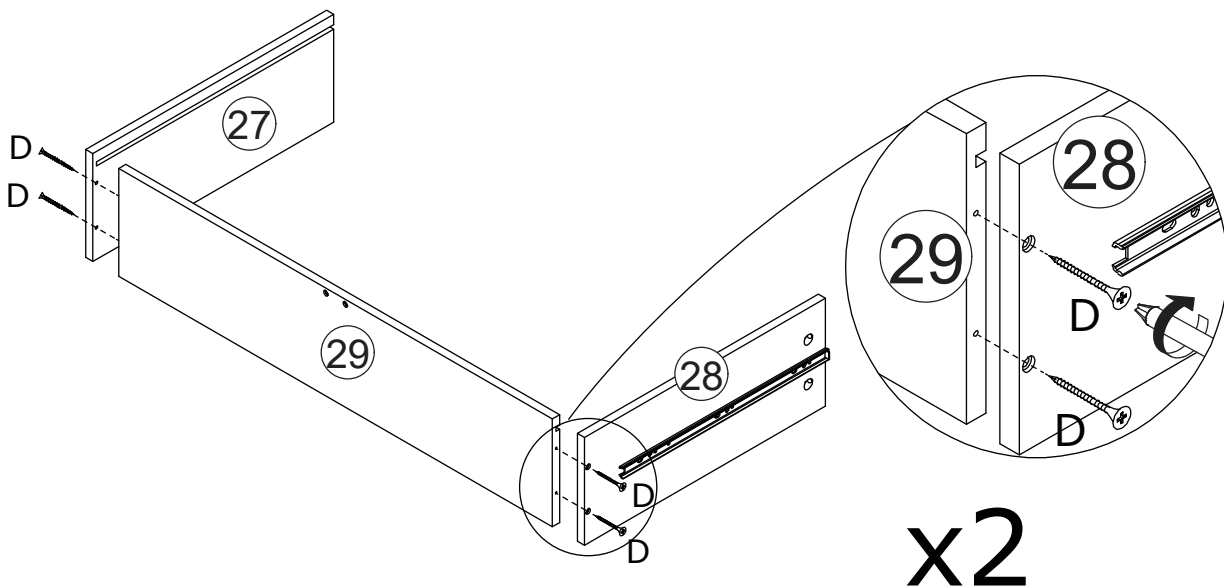
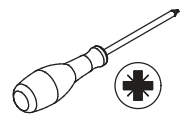
L x 8
CRD3512A



Fix runner(K1) to board 27 and 28 with screw(L) as shown.

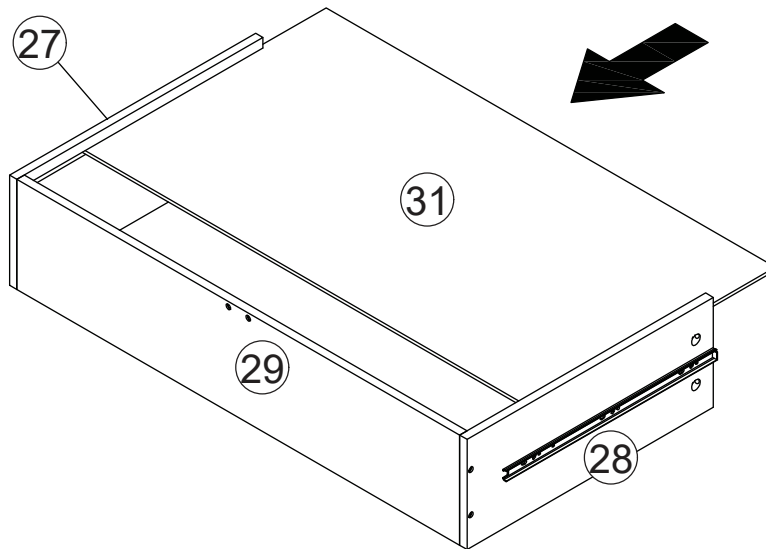
39

D x 8
CRD0430A



Fix board 27 and 28 to board 29 with screw(D) as shown.

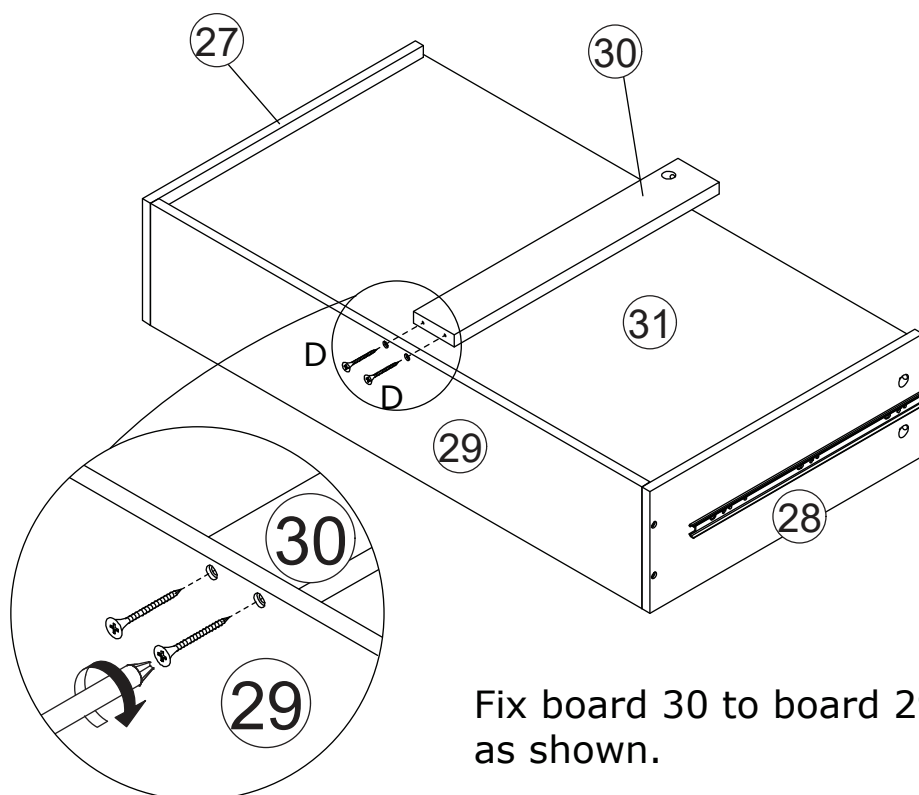
40



x2

Insert bottom board 31 along grooves as shown.

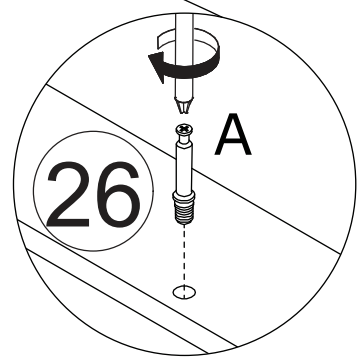
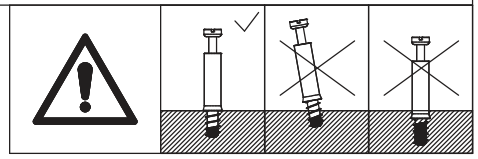
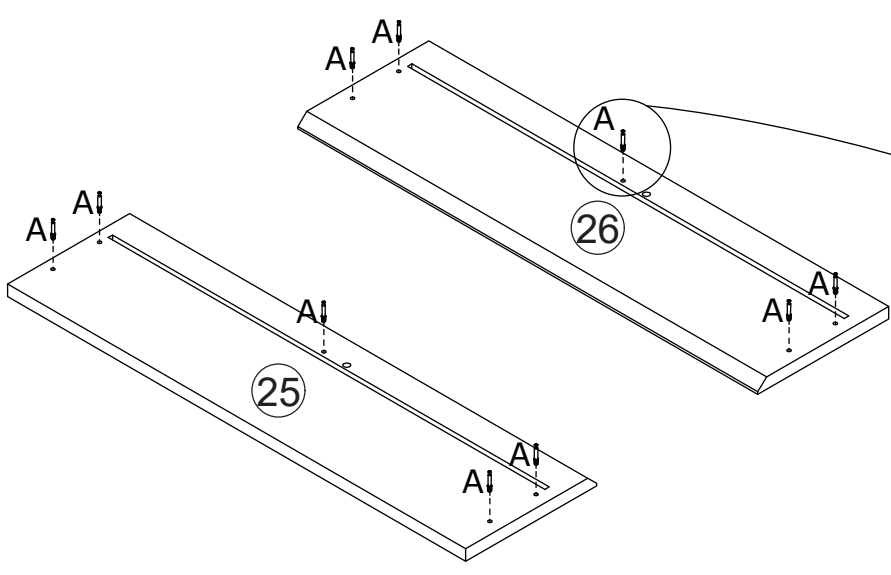
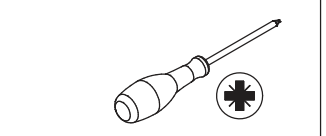
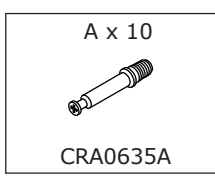
41



x2

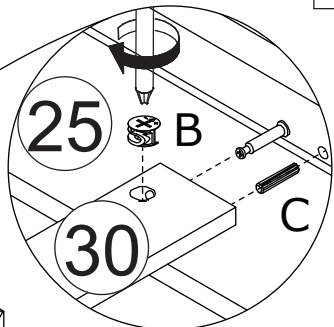
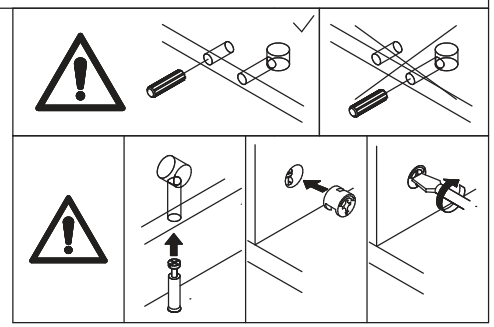
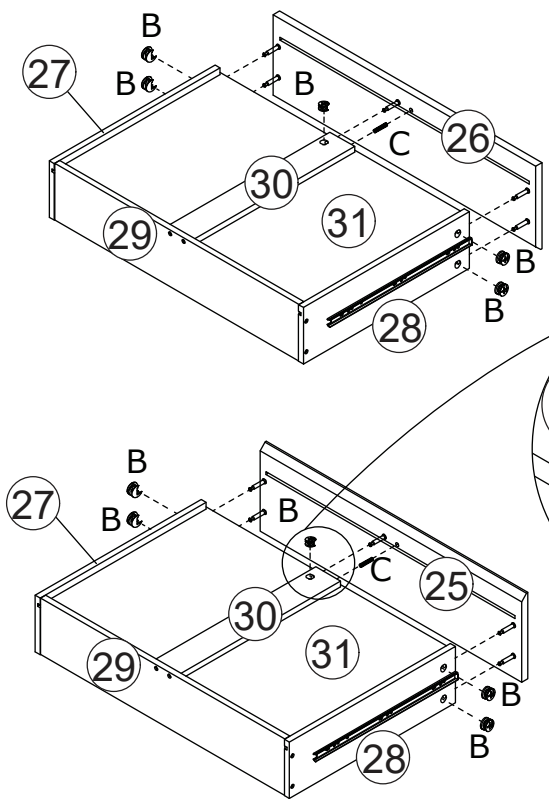
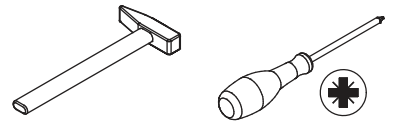
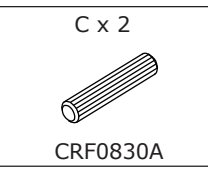
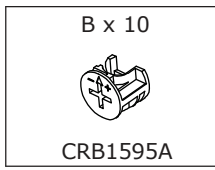
Fix board 30 to board 29 with screw(D) as shown.

42



Screw eccentric rod(A) into board 25 and 26 at first.

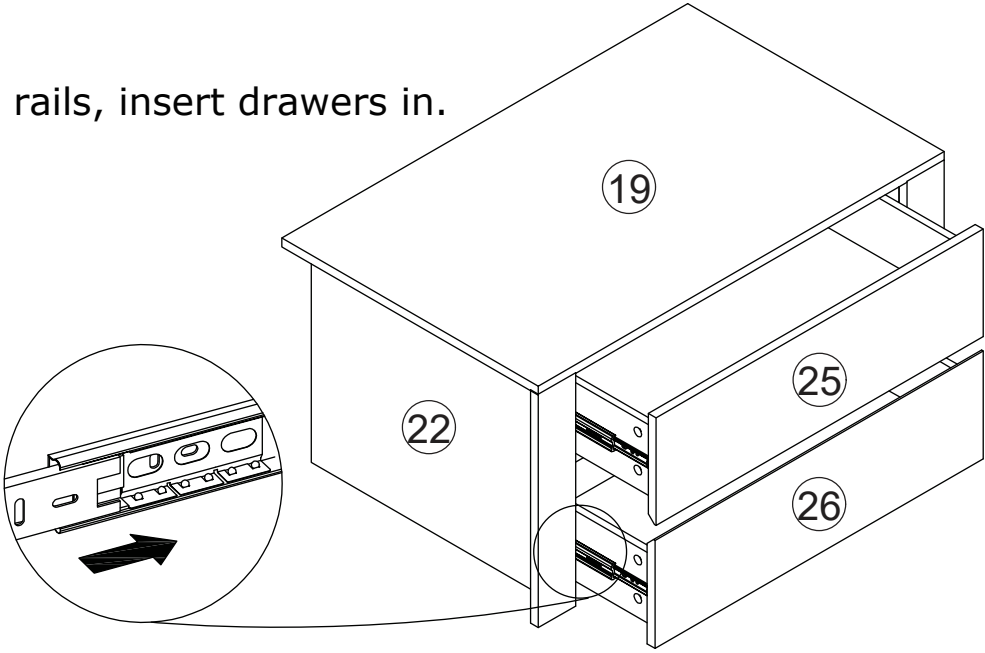
43



Insert wooden dowel(C) into board 30 at first.
Attach board 25/26 to board 27, 30 and 28, add cam lock(B) into and turn clockwise to tighten as shown.

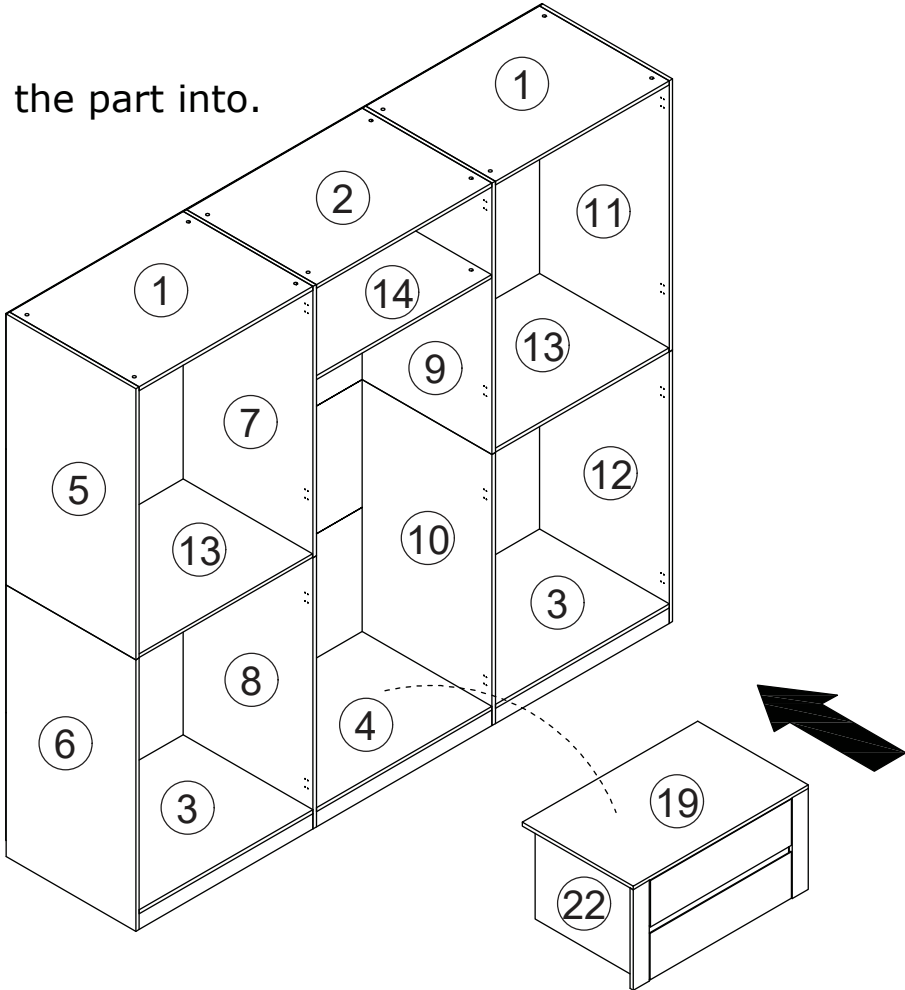
44

Align rails, insert drawers in.





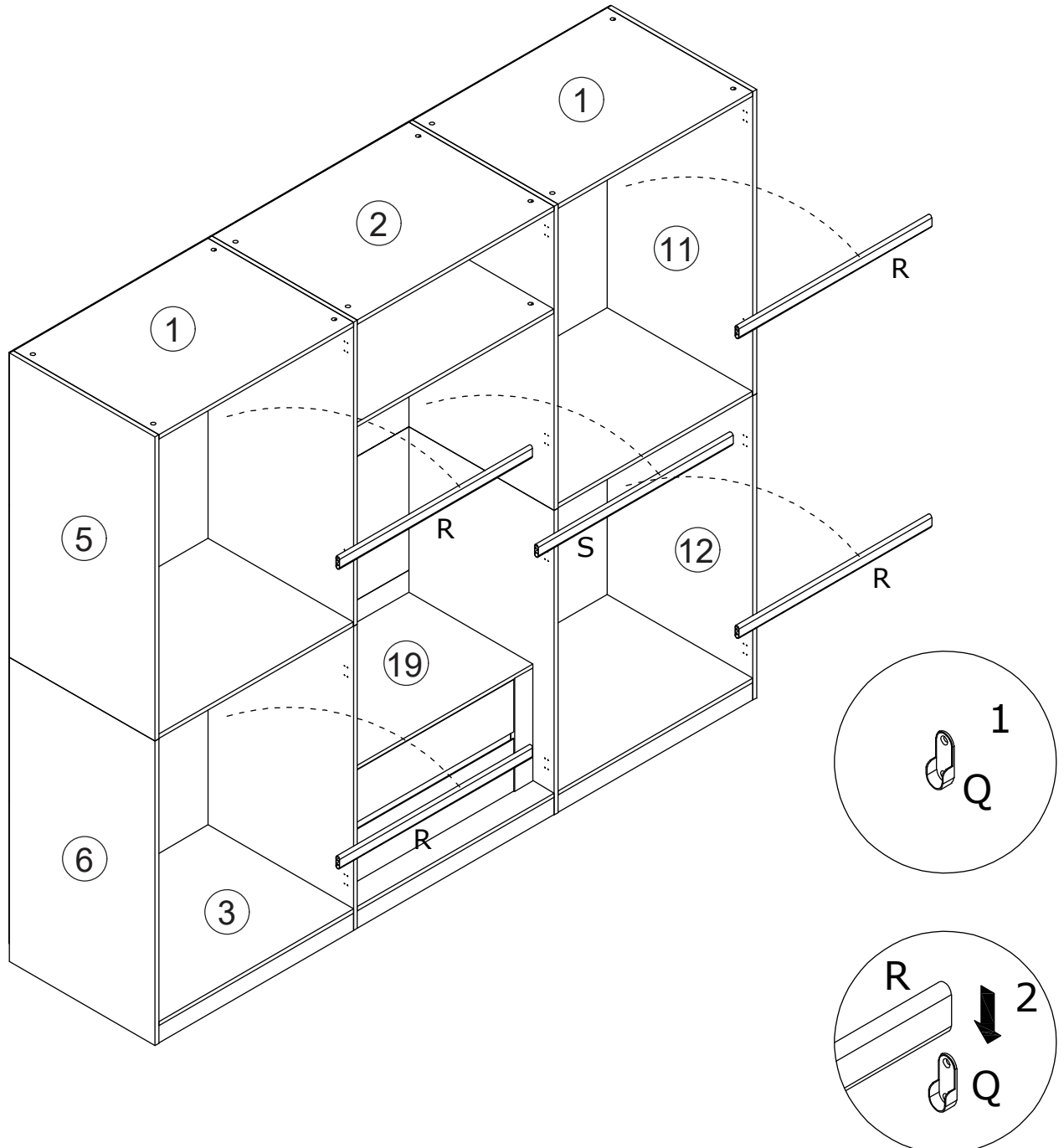
45

Place the part into.



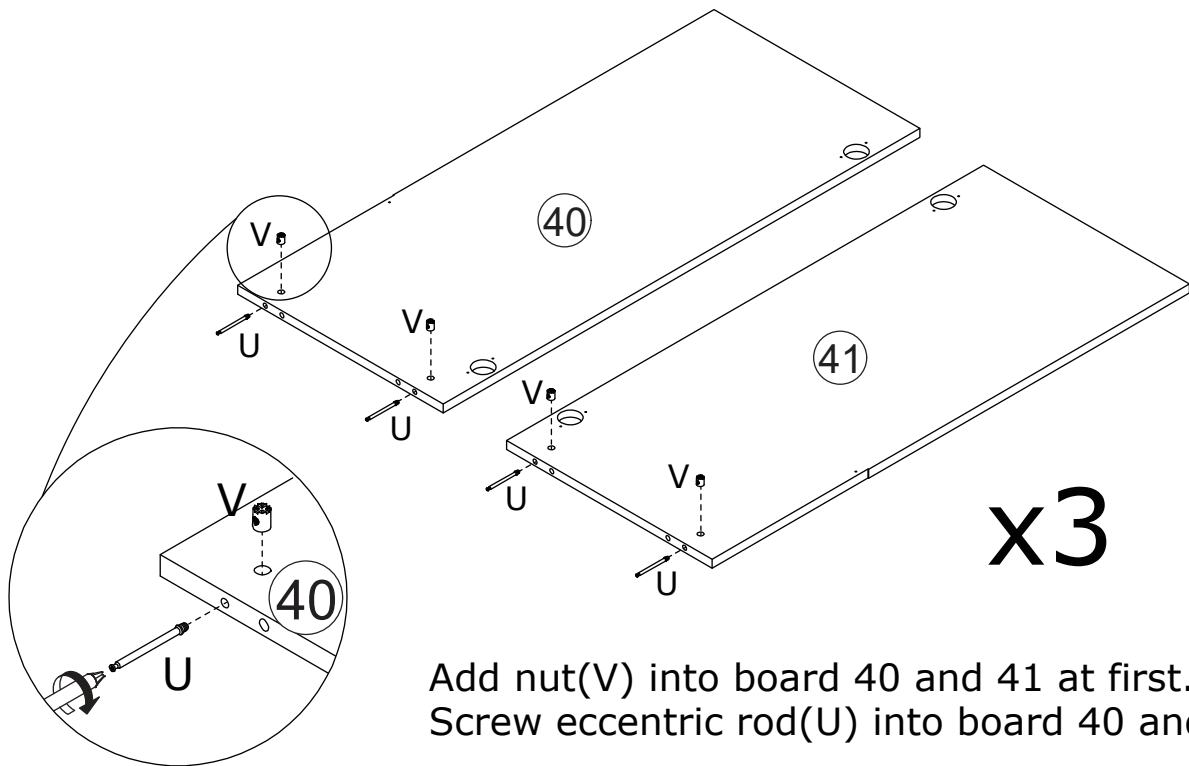
46

R x 4  770 mm	S x 1  778 mm
--	--



Place clothing rod(R) and (S) as shown.

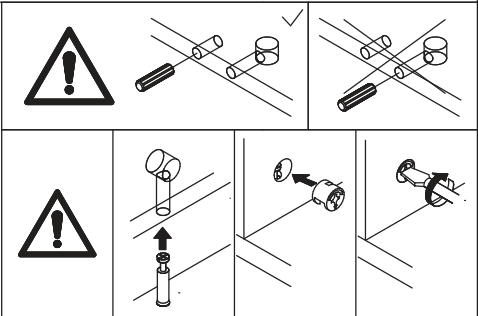
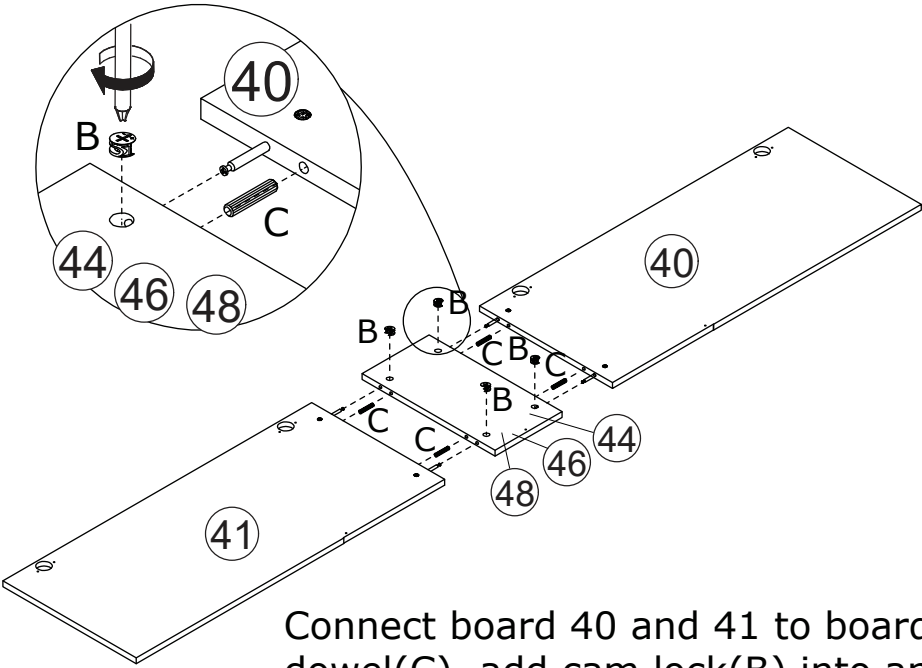
47



x3

Add nut(V) into board 40 and 41 at first.
Screw eccentric rod(U) into board 40 and 41.

48



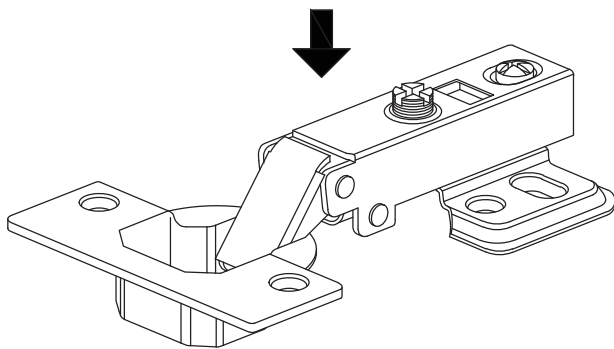
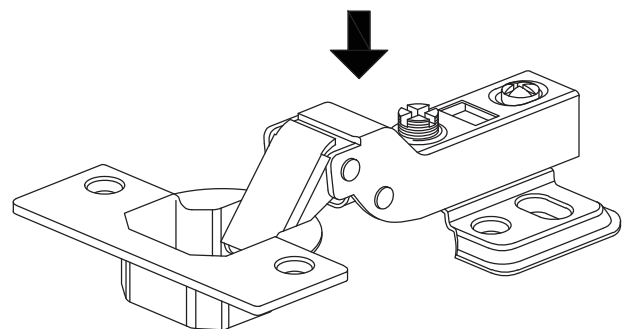
x3

Connect board 40 and 41 to board 44/46/48 using wooden dowel(C), add cam lock(B) into and turn clockwise to tighten as shown.




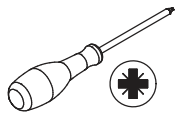


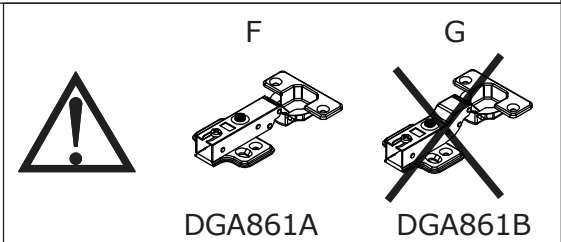
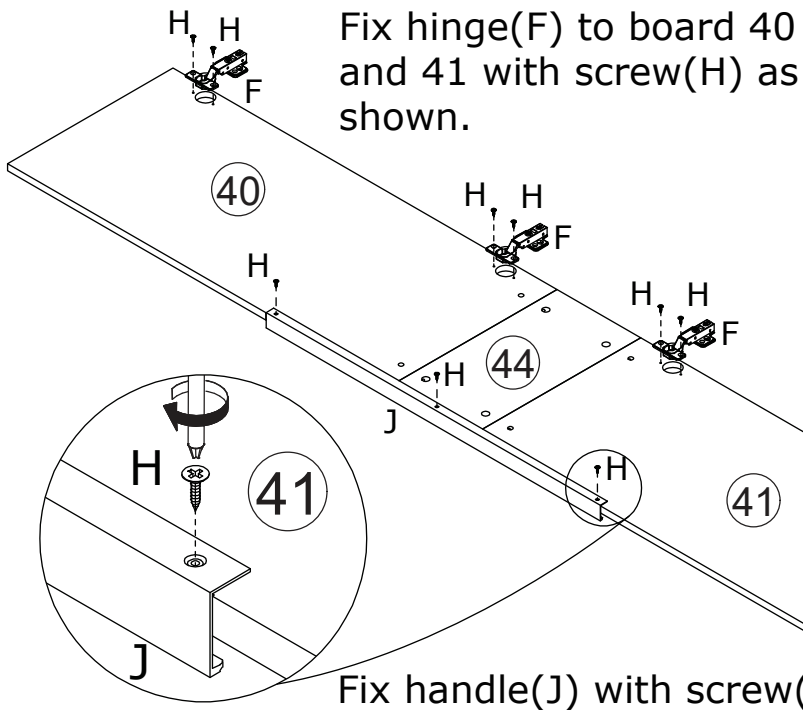
Pay attention to the difference between the middle parts of the two types of door hinges.

The full coverage door hinges(F) are used on the outermost door plates.
And the small curved door hinges(G) are used on the door panel in the middle of the cabinet.


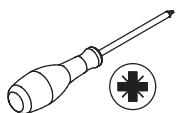
**F****G**

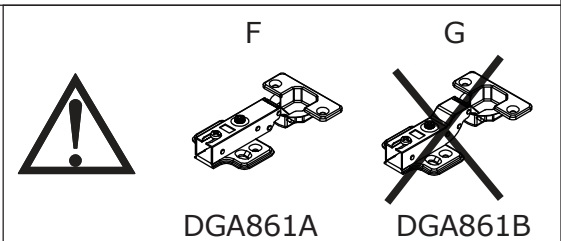
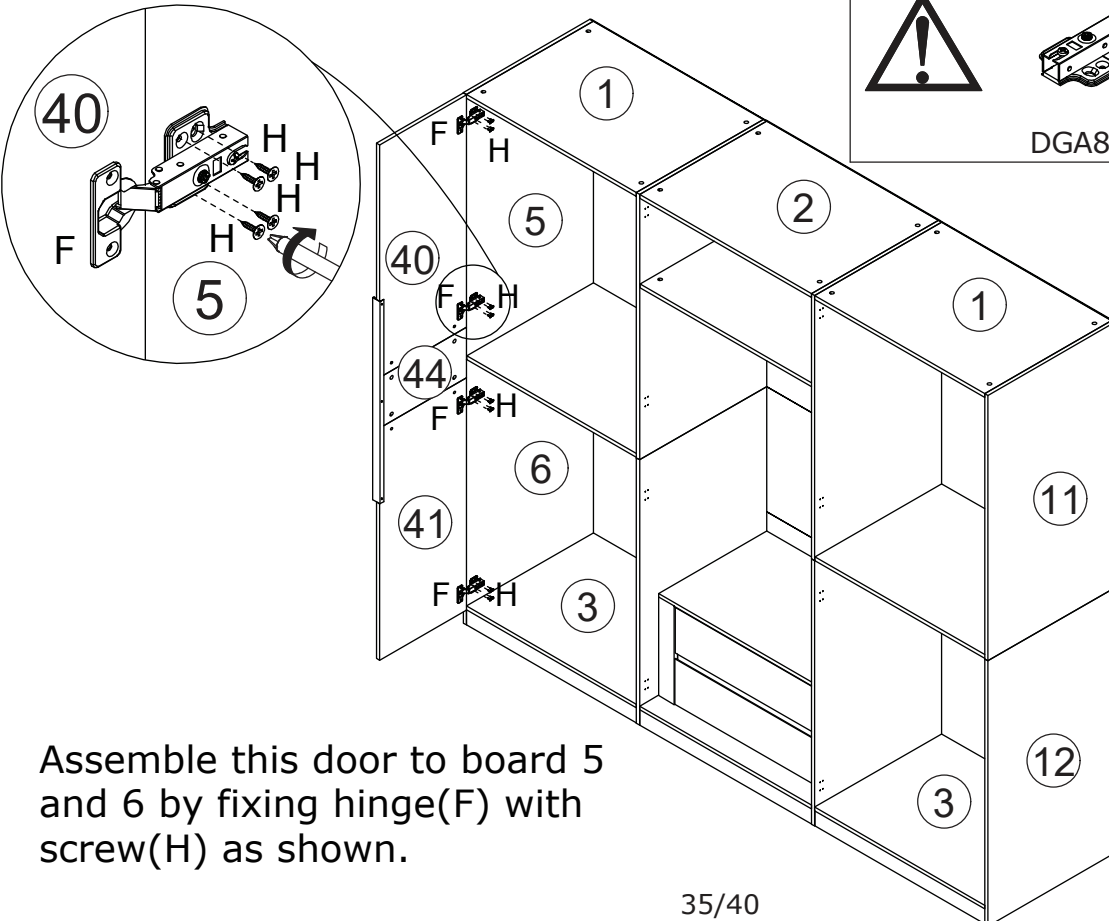
50

F x 4  DGA861A	H x 11  CRD3514A	J x 1  L=800 mm	
---	---	--	---

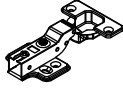


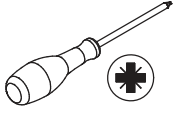


51

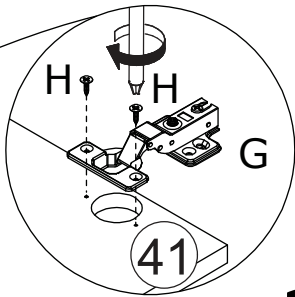
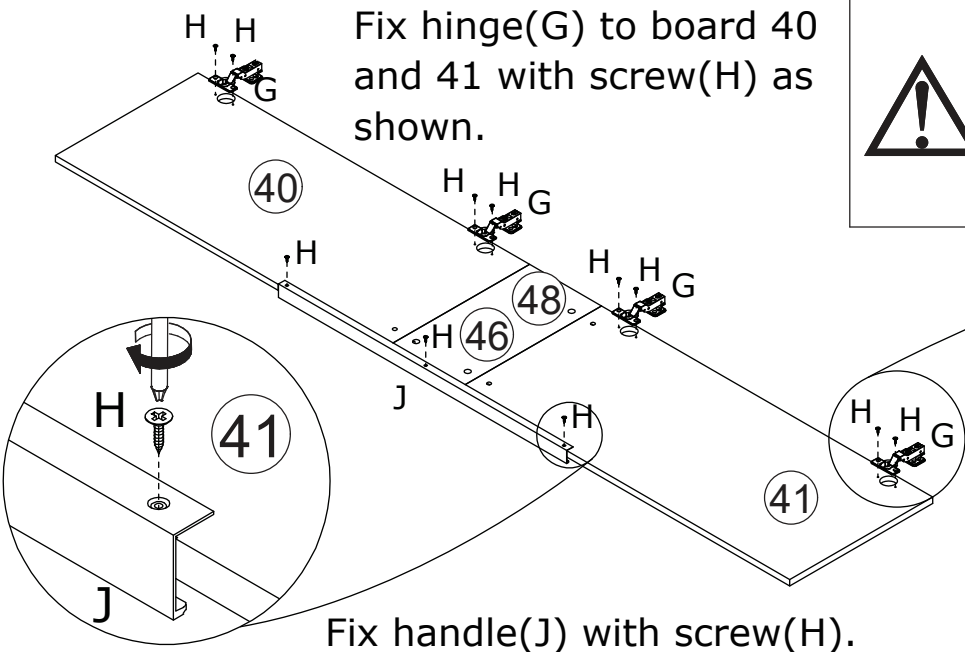
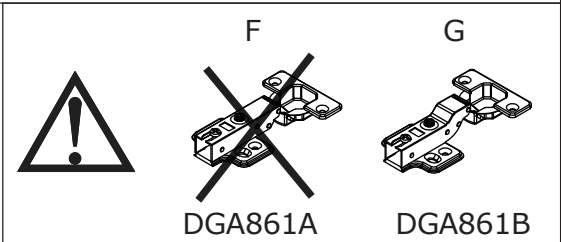
H x 16  CRD3514A	
---	---



52

<p>G x 8</p>  <p>DGA861B</p>	<p>H x 22</p>  <p>CRD3514A</p>	<p>J x 2</p>  <p>L=800 mm</p>	
---	---	--	---


Fix hinge(G) to board 40 and 41 with screw(H) as shown.

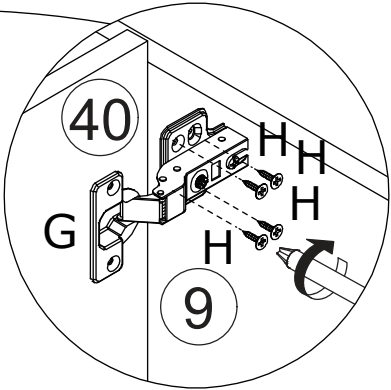
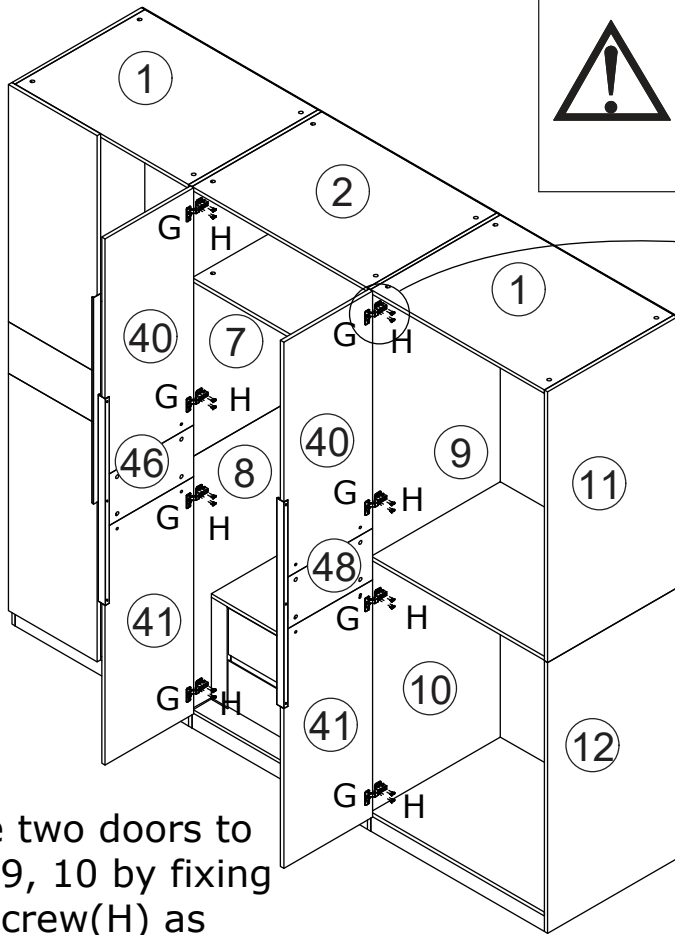
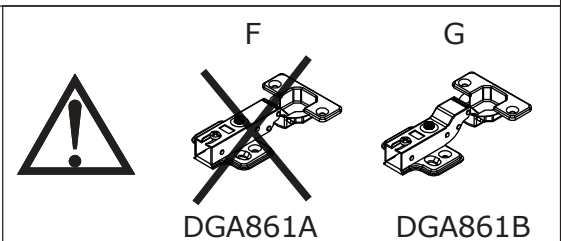


x2

Fix handle(J) with screw(H).

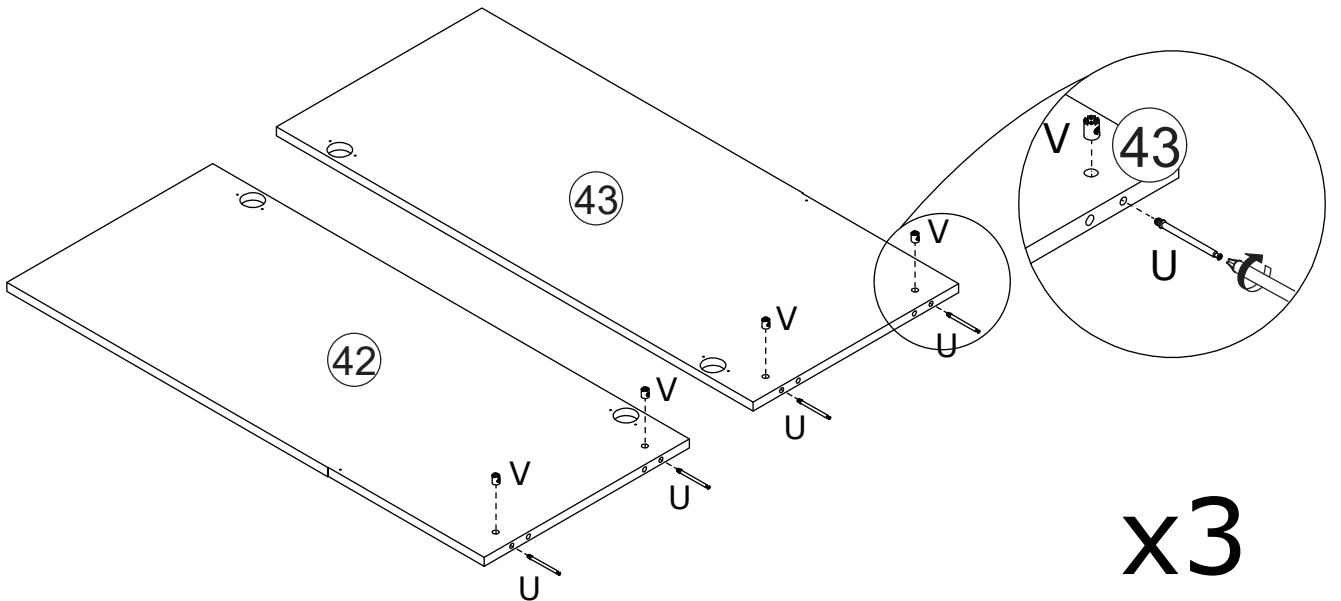
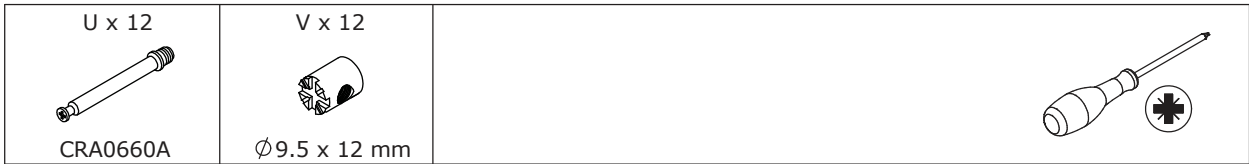
53

<p>H x 32</p>  <p>CRD3514A</p>	
--	--



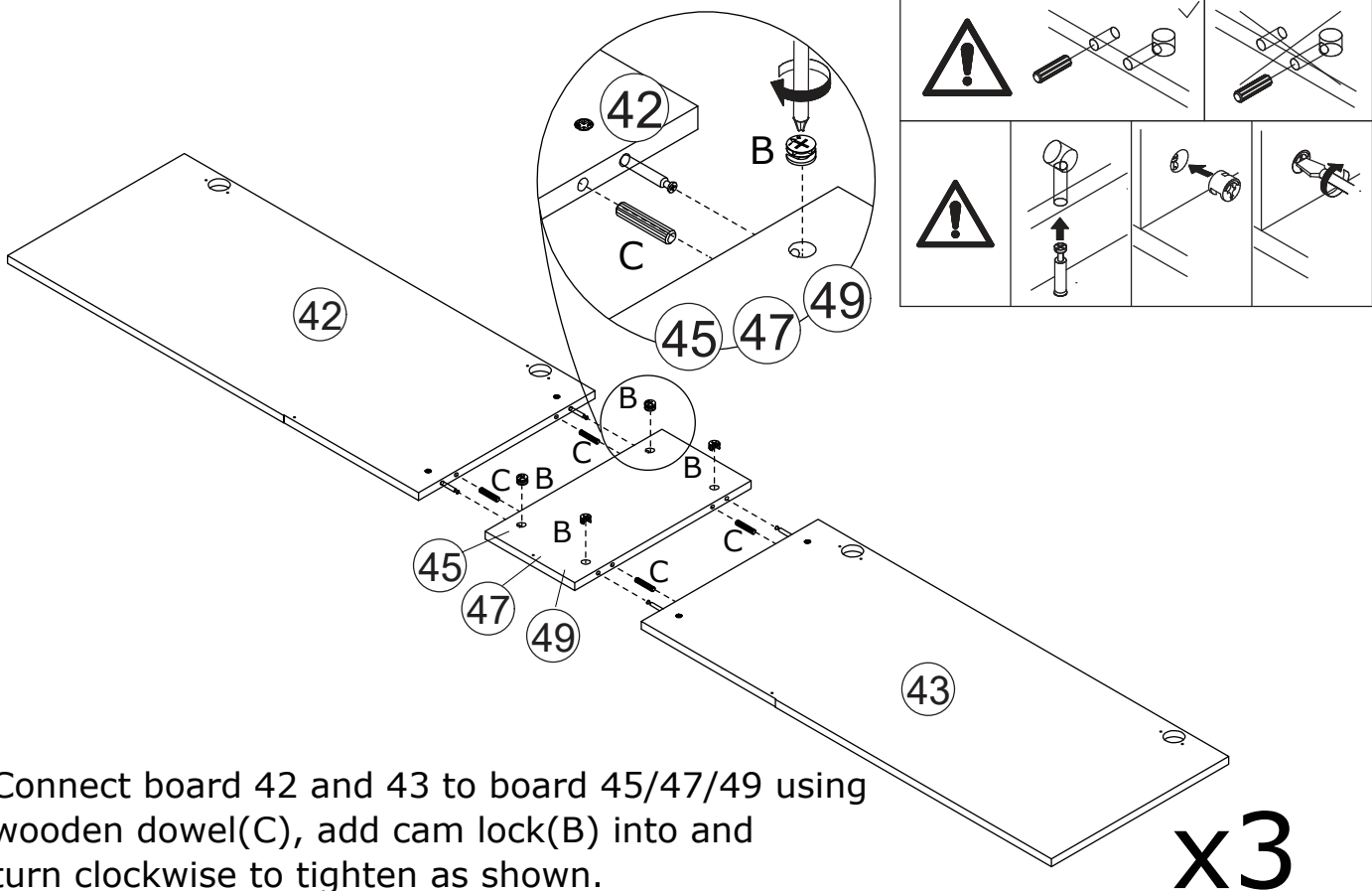
Assemble these two doors to board 7, 8 and 9, 10 by fixing hinge(G) with screw(H) as shown.

54



Add nut(V) into board 42 and 43 at first.

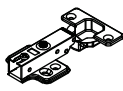
55




Connect board 42 and 43 to board 45/47/49 using wooden dowel(C), add cam lock(B) into and turn clockwise to tighten as shown.

56


F x 4
DGA861A




H x 11
CRD3514A

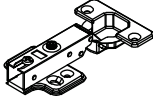


J x 1
L=800 mm






F

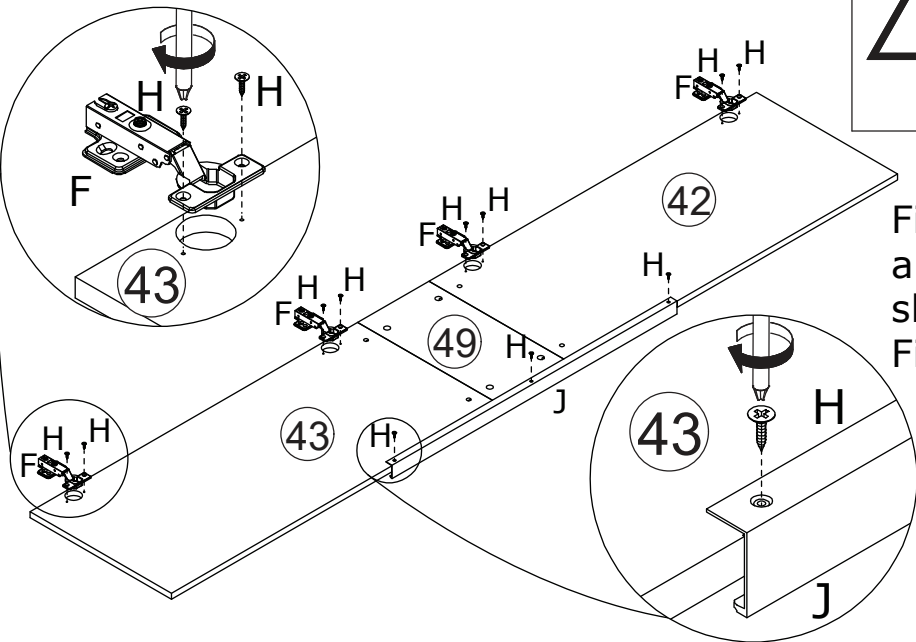


DGA861A

G




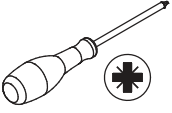

DGA861B



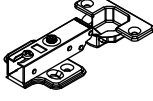
Fix hinge(F) to board 42 and 43 with screw(H) as shown.
Fix handle(J) with screw(H).

57

H x 16
CRD3514A

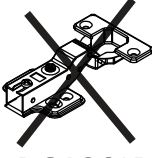




F

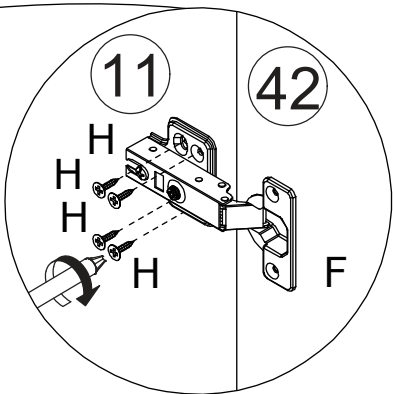
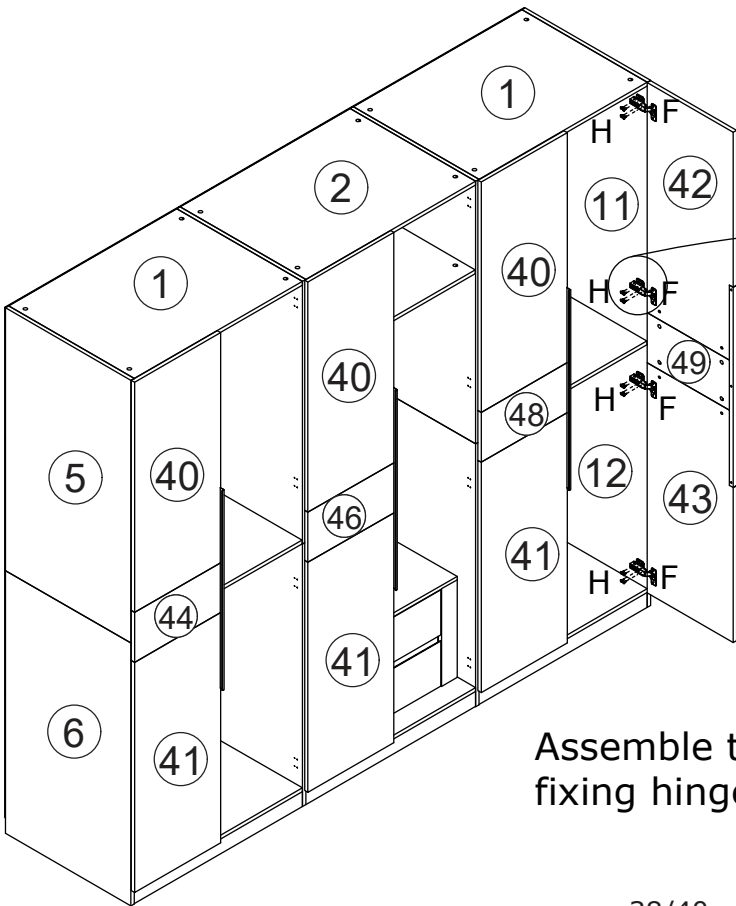


DGA861A

G



DGA861B

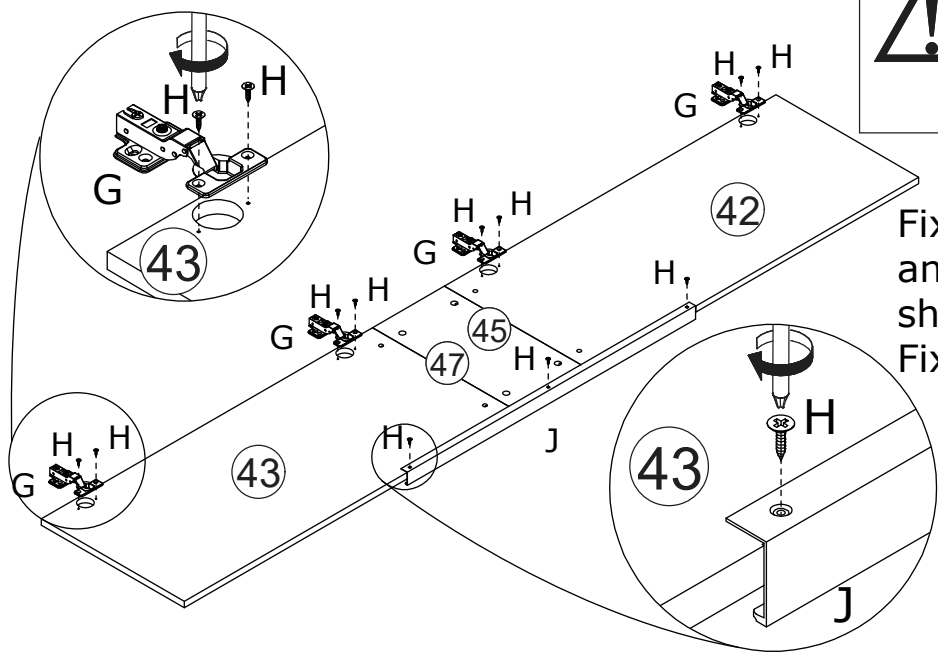


Assemble this door to board 11 and 12 by fixing hinge(F) with screw(H) as shown.

58

G x 8 DGA861B	H x 22 CRD3514A	J x 2 L=800 mm	
------------------	--------------------	-------------------	--

	F DGA861A	G DGA861B
--	-------------------------	--------------



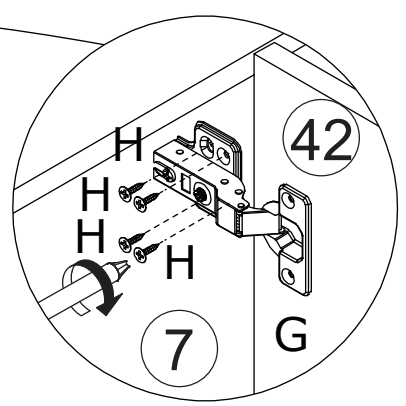
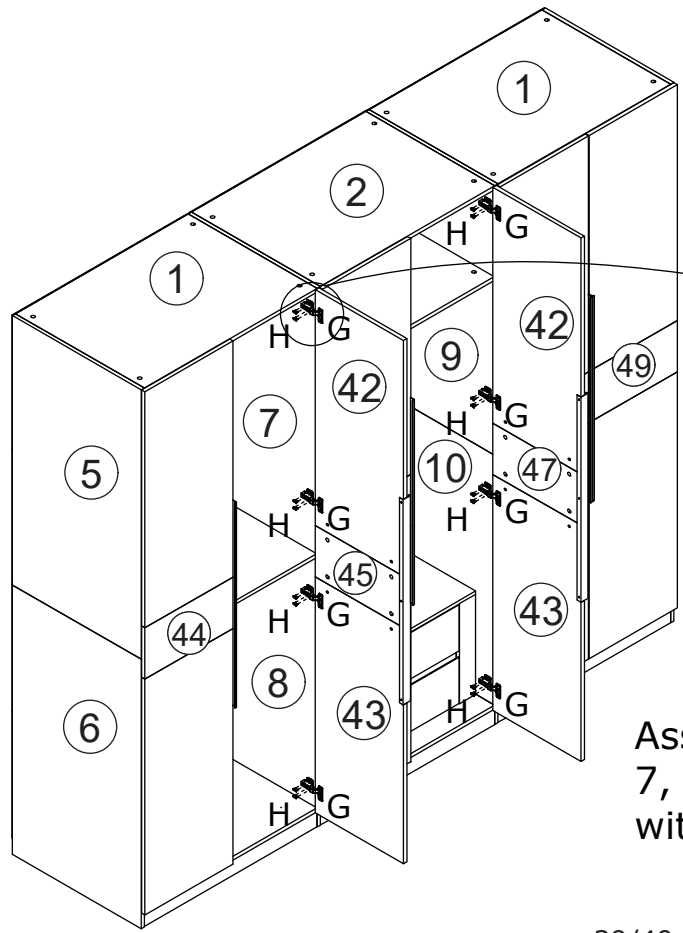
Fix hinge(G) to board 42 and 43 with screw(H) as shown.
Fix handle(J) with screw(H).

x2

59

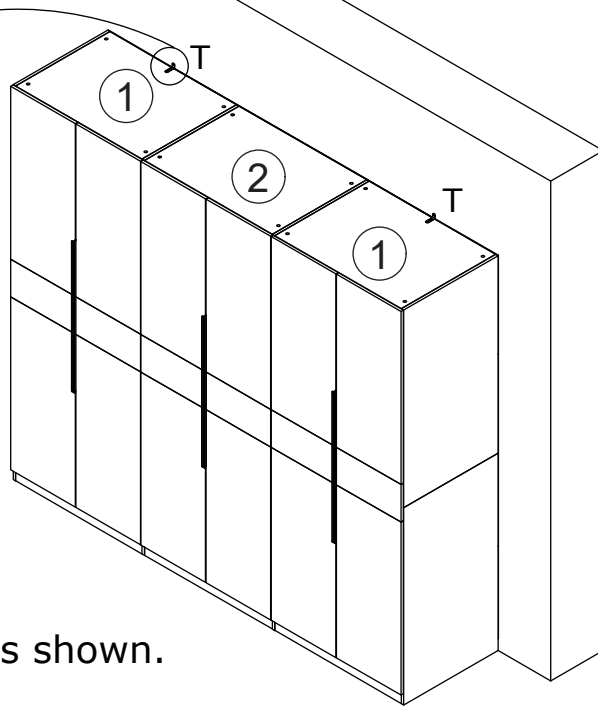
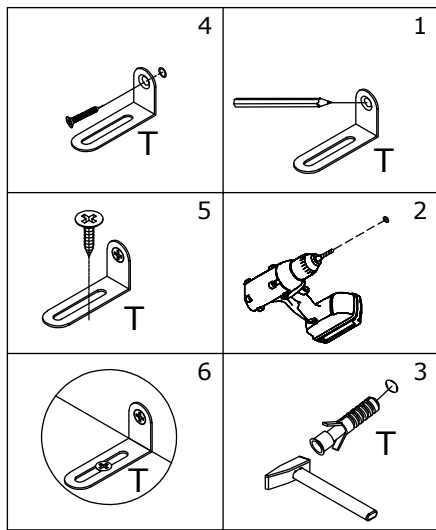
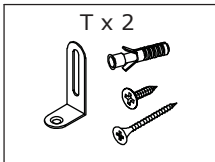
H x 32 CRD3514A	
--------------------	--

	F DGA861A	G DGA861B
--	-------------------------	--------------



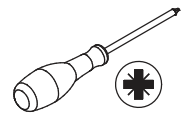
Assemble these two doors to board 7, 8 and 9, 10 by fixing hinge(G) with screw(H) as shown.

60

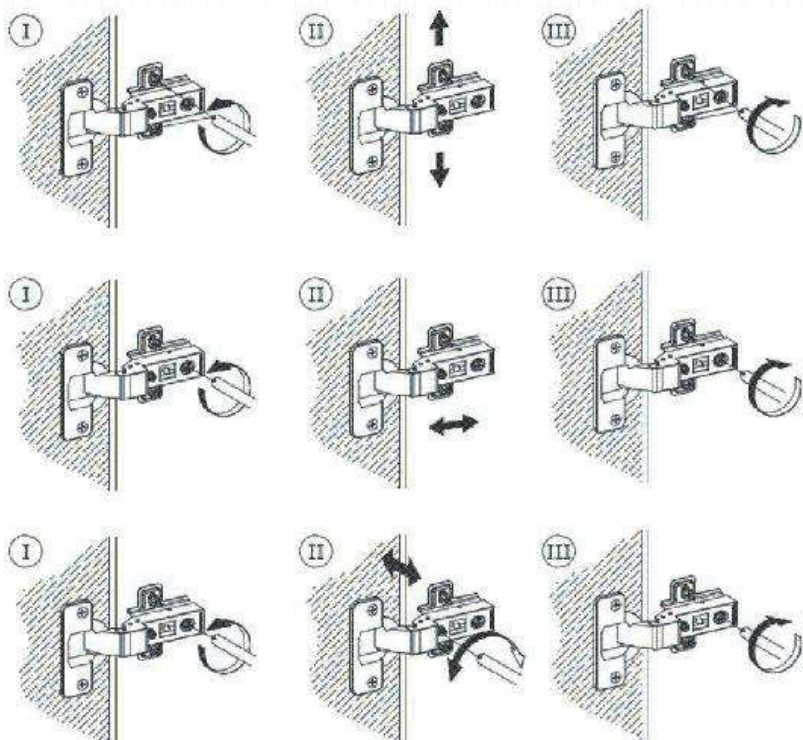
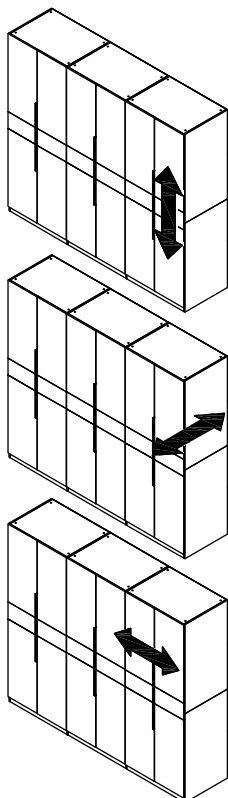


Install anti-tipping device as shown.

61



If doors are still not aligned if the hinges are properly correctly, please watch the video.
<https://youtu.be/n0Lb36SoODM>



WARRANTY

WARRANTY CLAIMS

- There is a 30-day warranty for broken furniture or any other problems that do not work properly. The warranty will start from the date of purchase which must be verified by proof of purchase.
- Before making a claim, we may be able to answer your query, simply call us. Please leave your purchase order number, along with some details of the problem, if you want a replacement part. We will arrange within 48 hours. If there is out of stock, we will reply with a shipping date.
- The product must be used in accordance with the instructions provided. For health reasons.
- For other reasons, if the furniture needs to be returned, it must be cleaned and dried and operated within 30 days of receipt.

Type of Warranty Claim

- Failure to follow the furniture instructions will invalidate the warranty. Attention please.
- Does not include damage during installation, but includes damage during transportation.

Scope of responsibility

- Shall not bear any responsibility for misuse or user damage and / or loss of parts during the installation of furniture.
- After using, the damage and scratches of the furniture are not covered by the warranty.

The Warranty Relates to All Bought in The Us and Covers The Following Areas

- Sheet parts: 1 month from the date of purchase.
- Electrical parts: 1 month from the date of purchase.

RETURNS

CHANGED YOUR MIND AND NEED TO RETURN YOU ITEM?

PLEASE FOLLOW THE BELOW INSTRUCTIONS:

- If you have purchased and have simply changed your mind, follow the retailer's instructions for returns.

DEFECTIVE ITEMS

- If your item is defective in any way, i.e. it doesn't work but you can't identify why, in the first instance, please call us.

DAMAGED ITEMS

- If you receive an order with obvious shipping damage from the retailer, then we suggest the delivery is refused. If the delivery has been accepted and then shipping damage is found, please follow the specific instructions advised by the retailer.
In all circumstances please save all packaging material and paperwork for the order. Please be aware that if you dispose of packaging material or attempt to return the merchandise without contacting the fulfiller, you jeopardise your chances of making a claim, and you may not receive a credit for the return.

AFTER-SALES CONTACT



feedbackstation@163.com



(303)800-6387