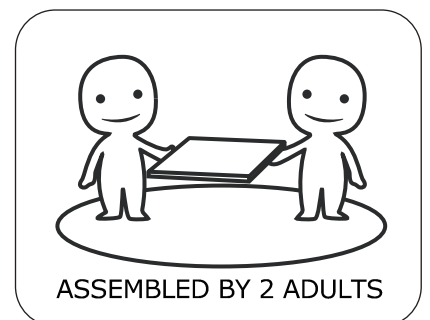
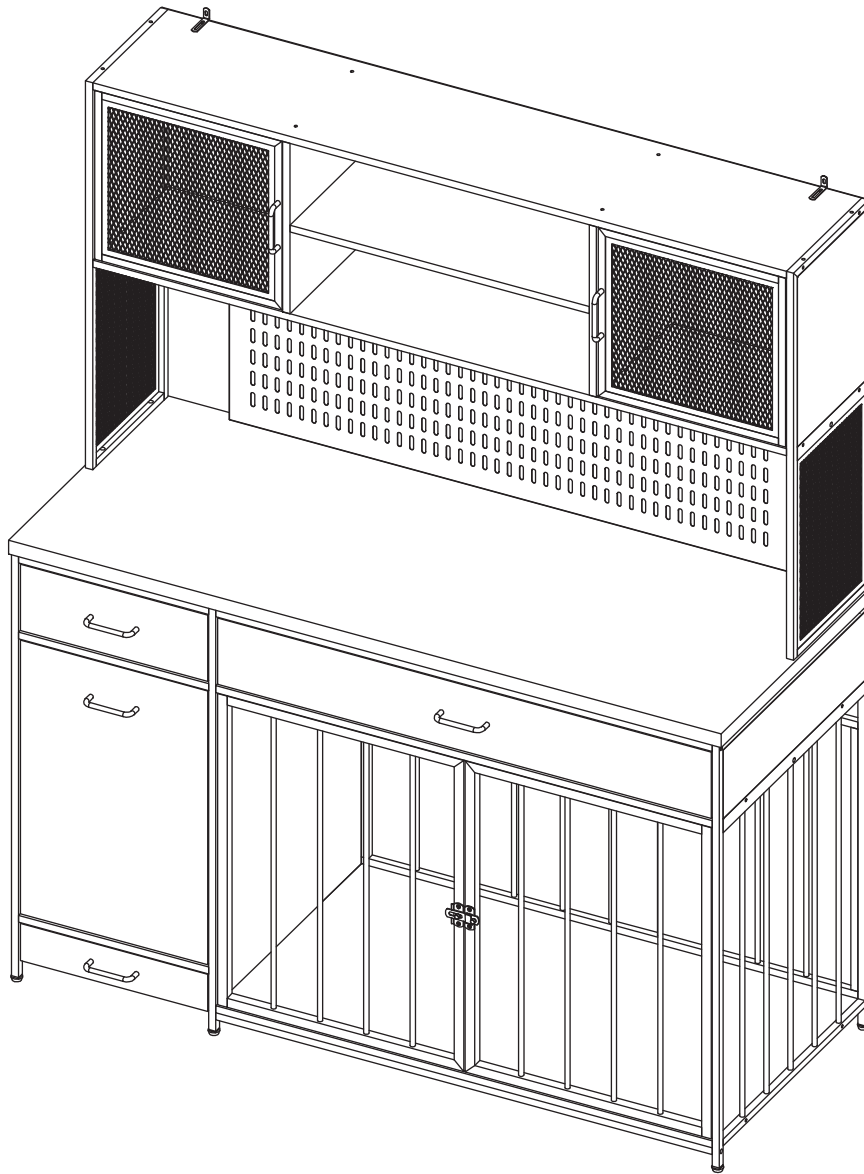


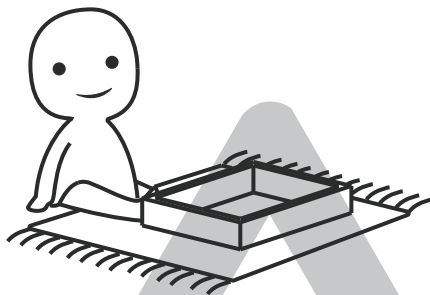
# Dog cages





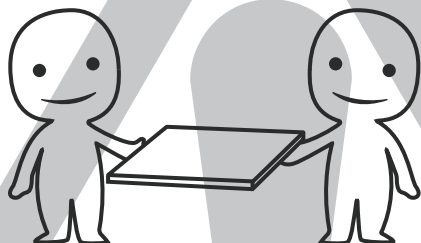
### **IMPORTANT INFORMATION!**

please read the entire manual before starting to assemble and/or using this product. follow the manual thoroughly and keep it for further reference.



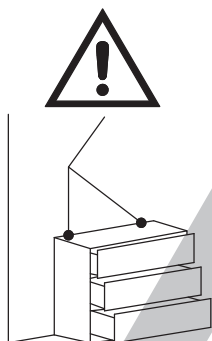
### **AVOID SCRATCHES!**

In order to avoid scratching this furniture should be assembled on a soft layer- could be a rug.



### **IMPROVE EFFICIENCY !**

Try to find a partner to install with you, which can speed up the installation efficiency and shorten the time.



### **ANTI-TOPPLE WARNING !**

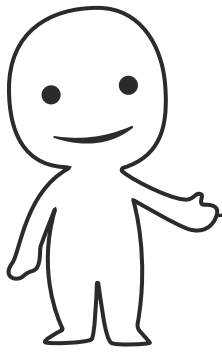
Overturnd furniture can cause serious or fatal crush injuries. To prevent tipping over, be sure to use the wall attachment, if not included with this product. Please purchase the wall attachment that fit your wall. If unsure, seek professional advice. Please read and follow each step of the instructions carefully.

### **IMPORTANT !**

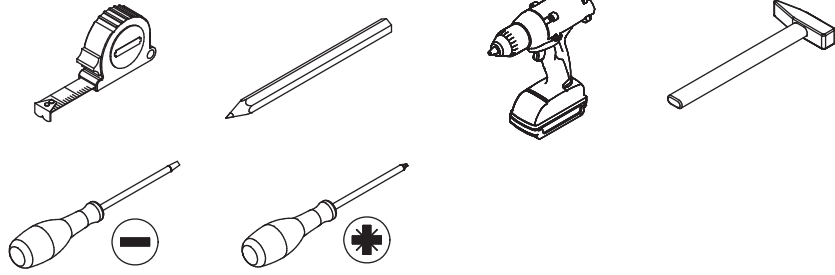
It is important that any product which is assembled using any kind of screw is re-tightened 2 weeks after assembly, and once every 3 months - in order to assure stability through-out the lifespan of the product.

For regular maintenance and cleaning of the product, for the frame, please use a rag dipped in neutral detergent to fully wipe it, and then dry it with a clean rag. For glass materials, wipe with a rag dampened with water glass cleaner, and then dry with a dry rag.

Do not use an electric screwdriver, and do not use too much force when installing, because the board is easy to break.

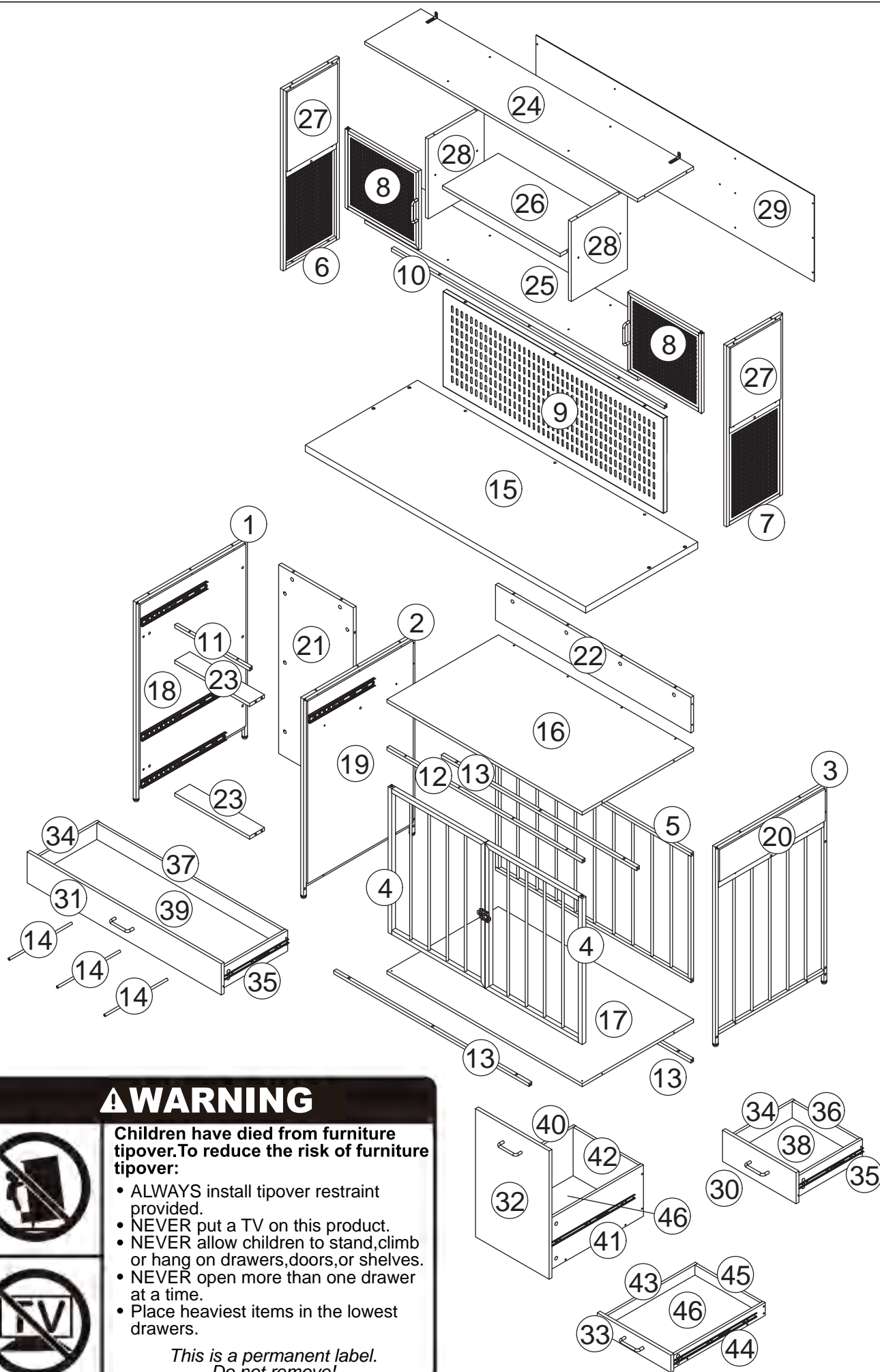


Please prepare the following tools



When installing, please carefully confirm whether each screw corresponds to the manual, accessories with similar shapes can be distinguished by size

<p>A x 36</p>  <p>M6 x 40 mm</p>	<p>B x 36</p>  <p>Ø15 x 9.5 mm</p>	<p>C x 4</p>  <p>Ø8 x 35 mm</p>	<p>D x 86</p>  <p>M5 x 40 mm</p>	<p>E x 14</p>  <p>M6 x 35 mm</p>
<p>F x 19</p>  <p>M6 x 25 mm</p>	<p>G x 6</p>  <p>M6 x 10 mm</p>	<p>H x 57</p>  <p>M3.5 x 12 mm</p>	<p>J x 8</p>  <p>M3 x 14 mm</p>	<p>K x 4</p> 
<p>L x 6</p>  <p>M4 x 96 mm</p>	<p>M x 12</p>  <p>M4 x 18 mm</p>	<p>N x 8</p> 	<p>P x 1</p>  <p>M6 x 55 mm</p>	<p>Q x 3</p>  <p>M6 x 20 mm</p>
<p>R x 2</p> 	<p>S x 2</p> 	<p>T x 12</p>  <p>Ø2 x 18 mm</p>	<p>U x 1</p> 	<p>V x 2</p>  <p>M5 x 50 mm</p>
<p>W x 4</p>  <p>M4 x 10 mm</p>	<p>x 1</p>  <p>4 #</p>	<p>47</p>  <p>14"</p>	<p>48</p>  <p>18"</p>	



## ⚠ WARNING



**Children have died from furniture tipover. To reduce the risk of furniture tipover:**

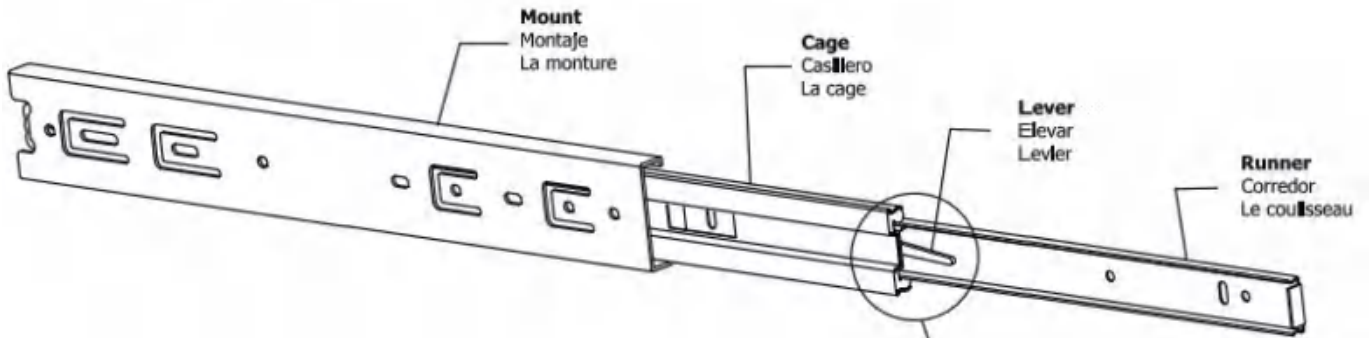
- ALWAYS install tipover restraint provided.
- NEVER put a TV on this product.
- NEVER allow children to stand, climb or hang on drawers, doors, or shelves.
- NEVER open more than one drawer at a time.
- Place heaviest items in the lowest drawers.

*This is a permanent label.  
Do not remove!*

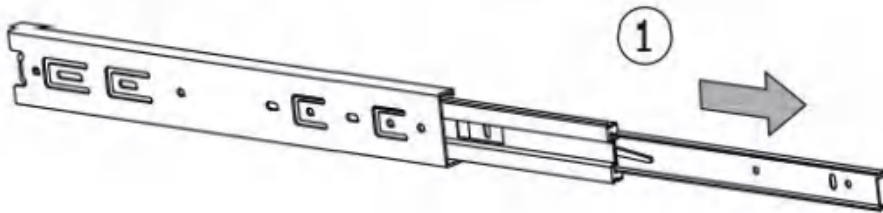
**Slides Must Be Separated Before Assembly.  
After Separated, Set Aside Until Needed for Assembly.**

Las diapositivas deben separarse antes del montaje.  
Después de la separación, déjelo a un lado hasta que sea necesario.

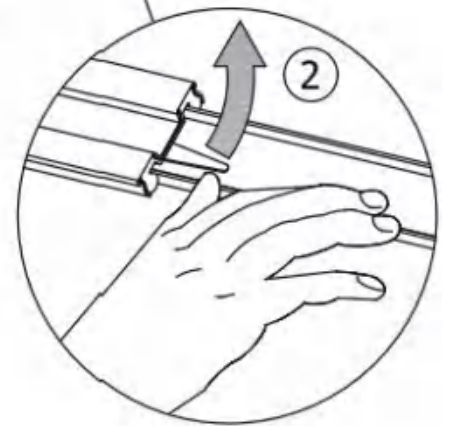
Les glissières doivent être séparées avant l'assemblage.  
Après la séparation, mettez de côté jusqu'au moment de l'assemblage.



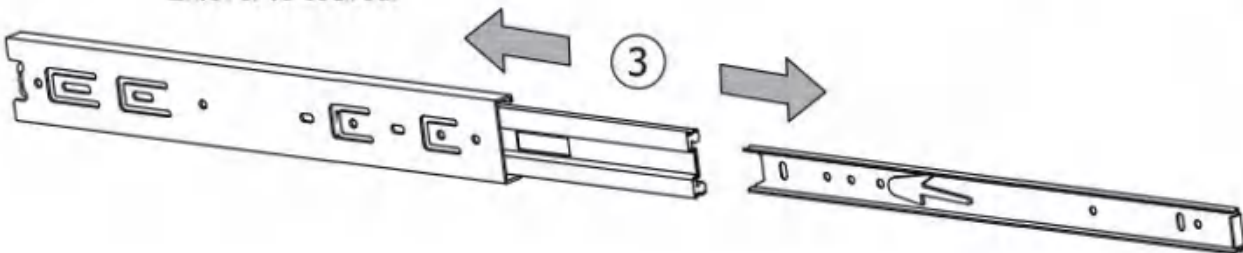
**STEP 1: Extend Slide**  
Extender la diapositiva  
Extendre la diapositive



**STEP 2: Push Lever UP**  
Empujar hacia arriba  
Lever le levier



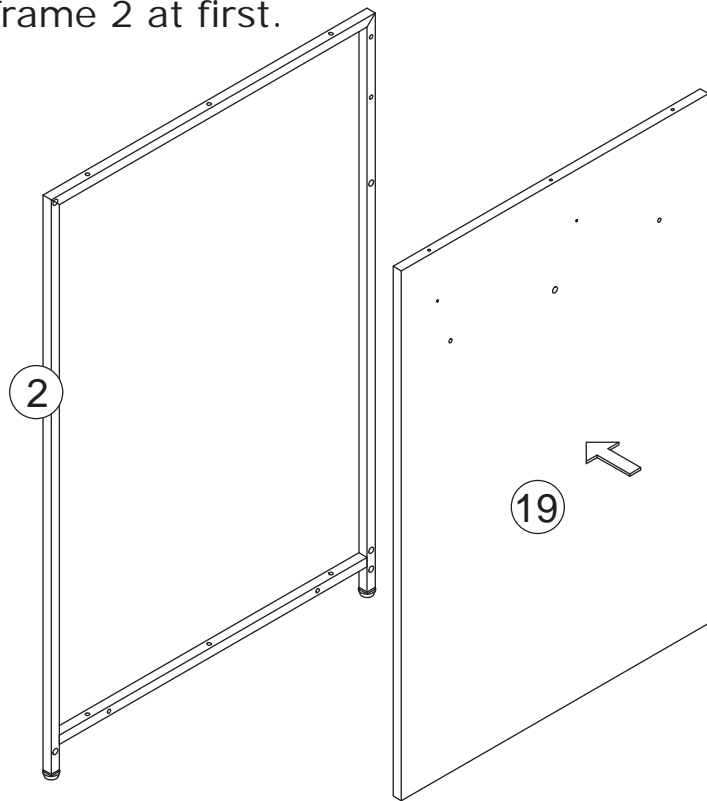
**STEP 3: Remove Runner**  
Quitar el corredor  
Enlever le coureur



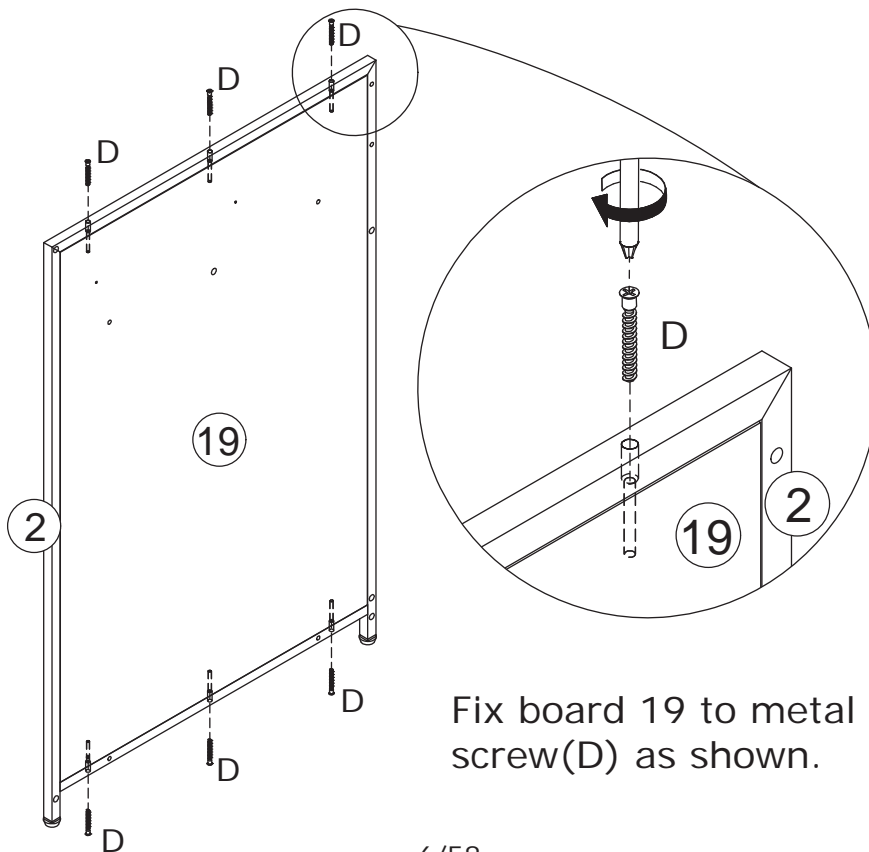
1



Place board 19 into metal frame 2 at first.



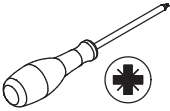
2



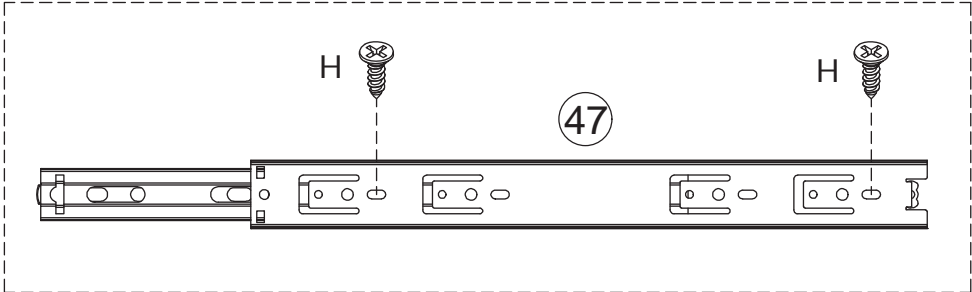
Fix board 19 to metal frame 2 with screw(D) as shown.

3

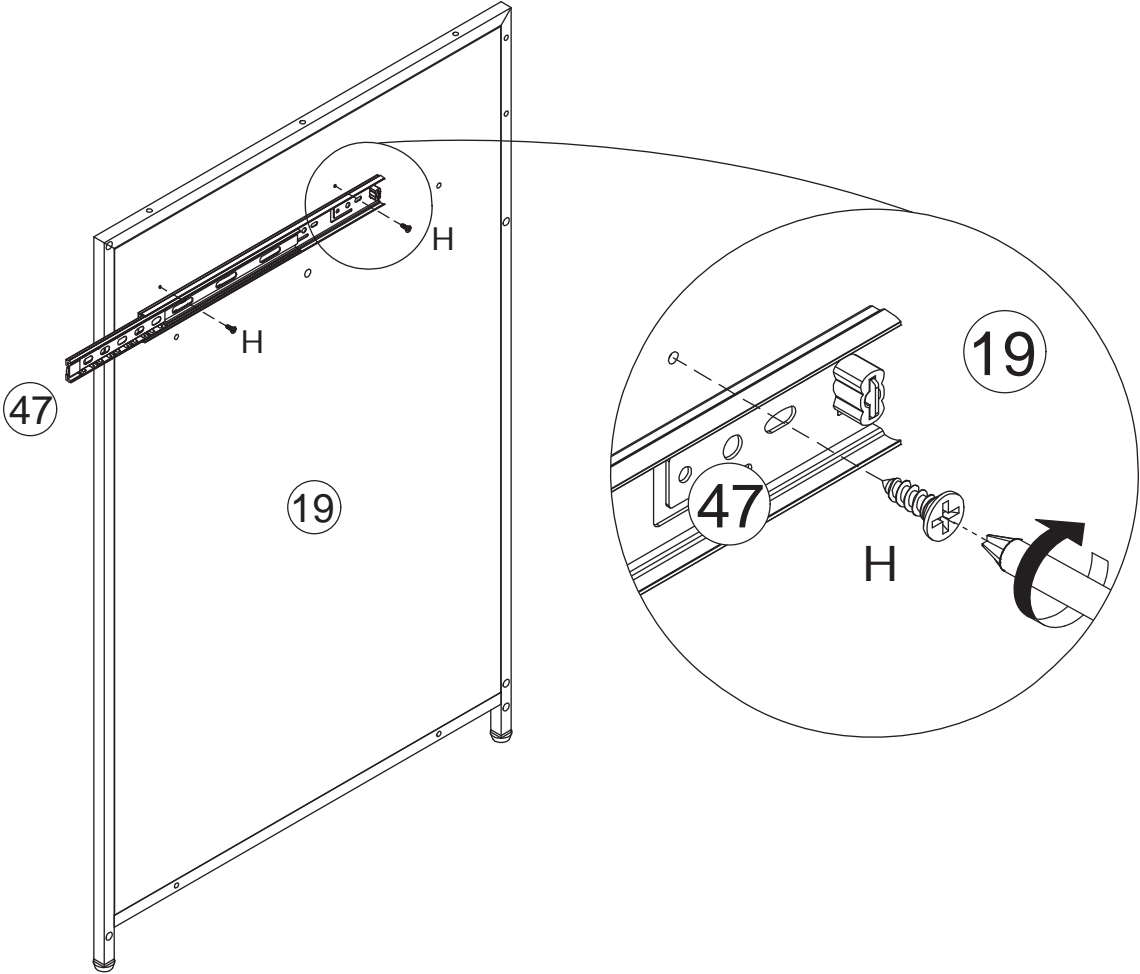
H x 2  
M3.5 x 12 mm



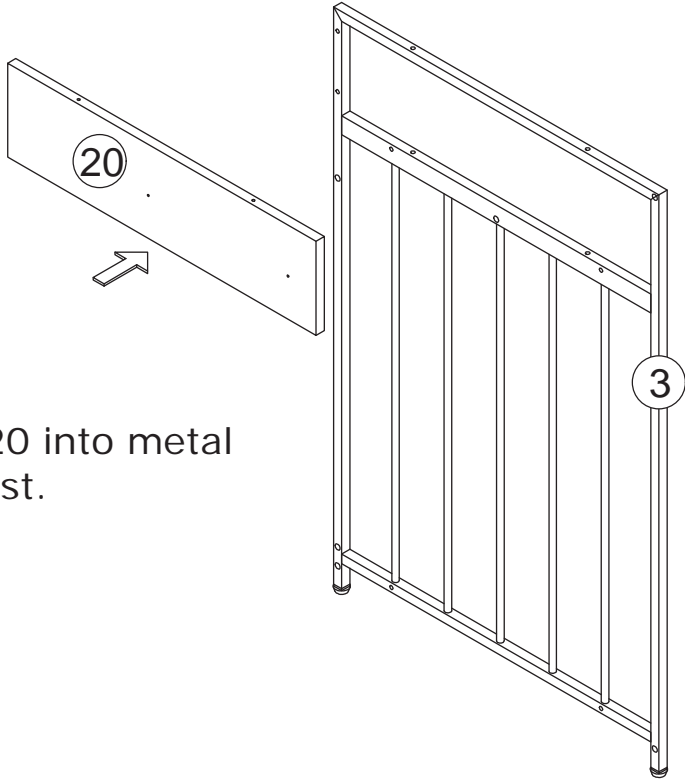
Separate glide into two parts at first(Page 5).



Fix slide rail 47 to board 19 with screw(H) as shown.

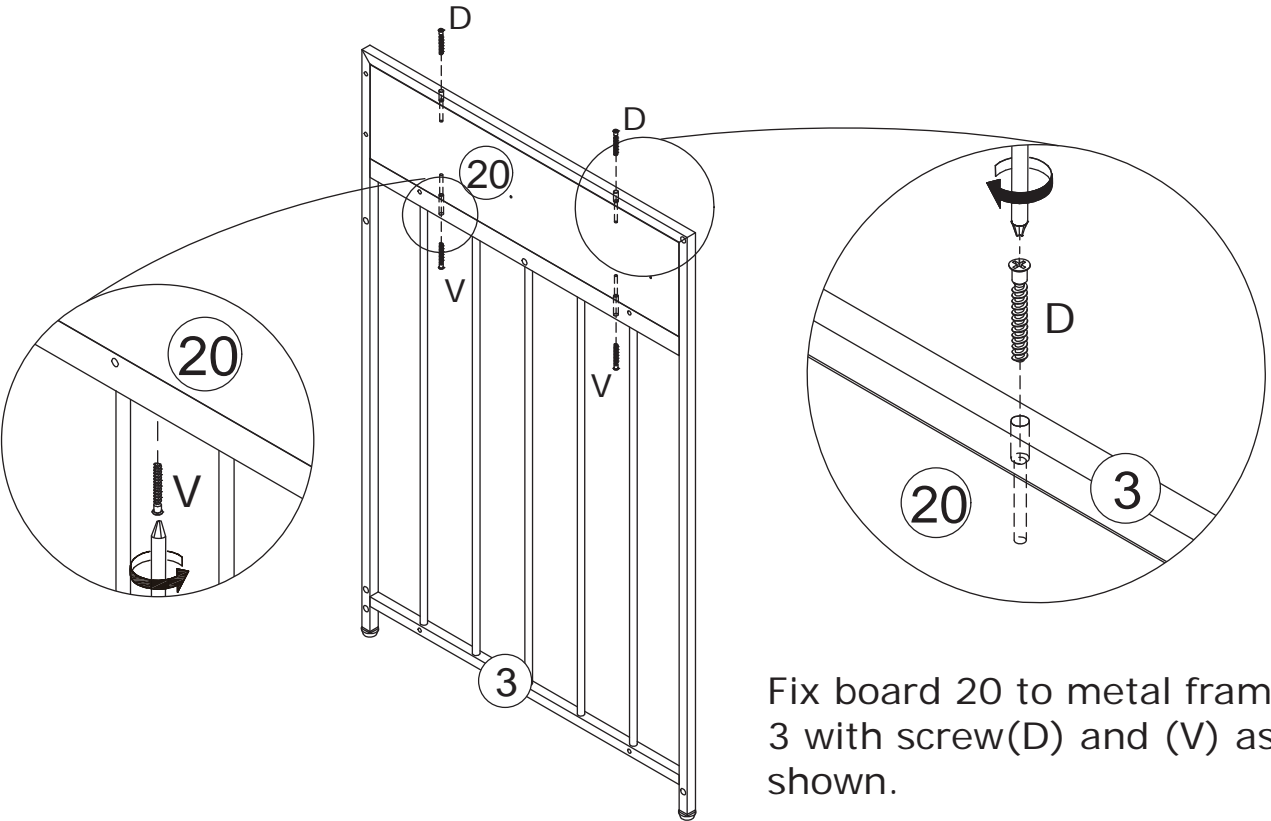


4



Place board 20 into metal frame 3 at first.

5



Fix board 20 to metal frame 3 with screw(D) and (V) as shown.

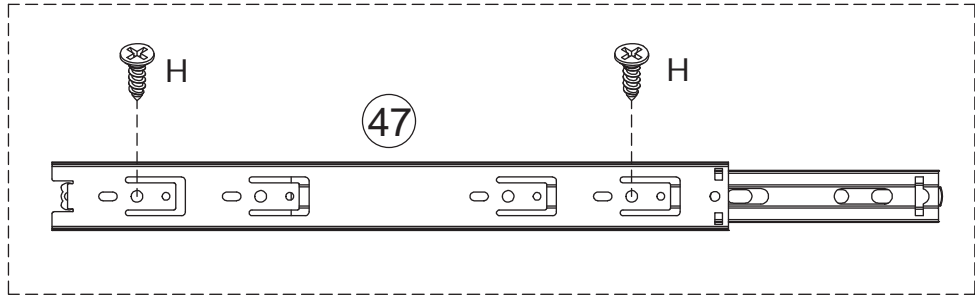
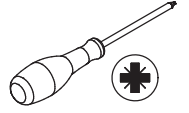


6

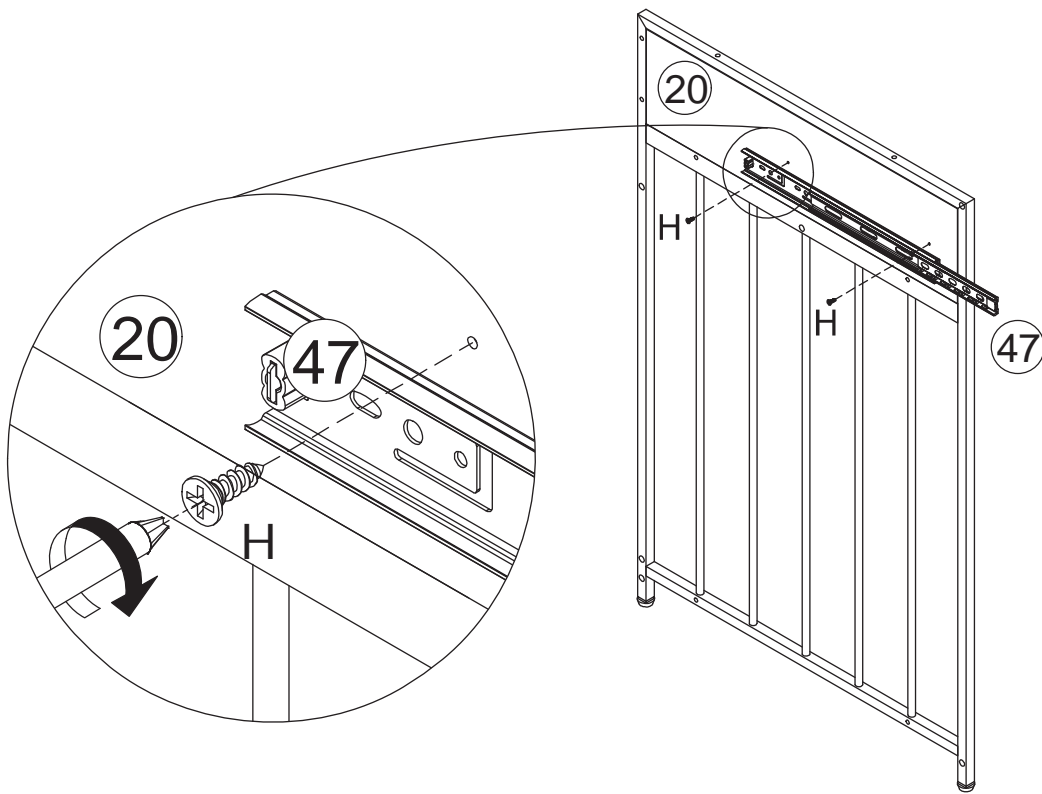
H x 2



M3.5 x 12 mm



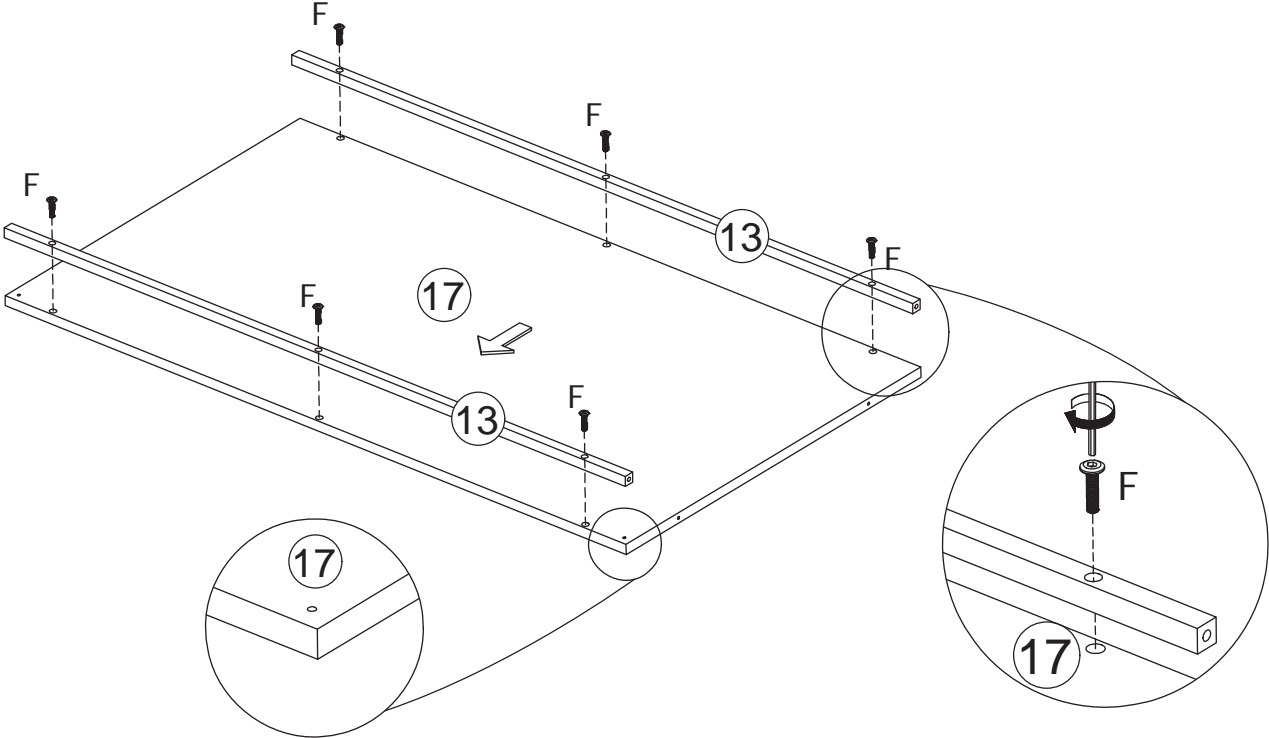
Fix slide rail 47 to board 20 with screw(H) as shown.



7



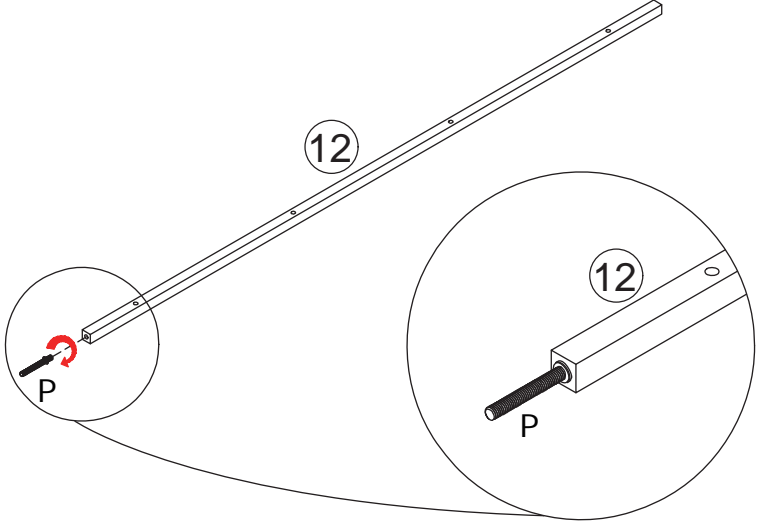
Fix steel tube 13 to board 17 with screw(F) as shown.



8



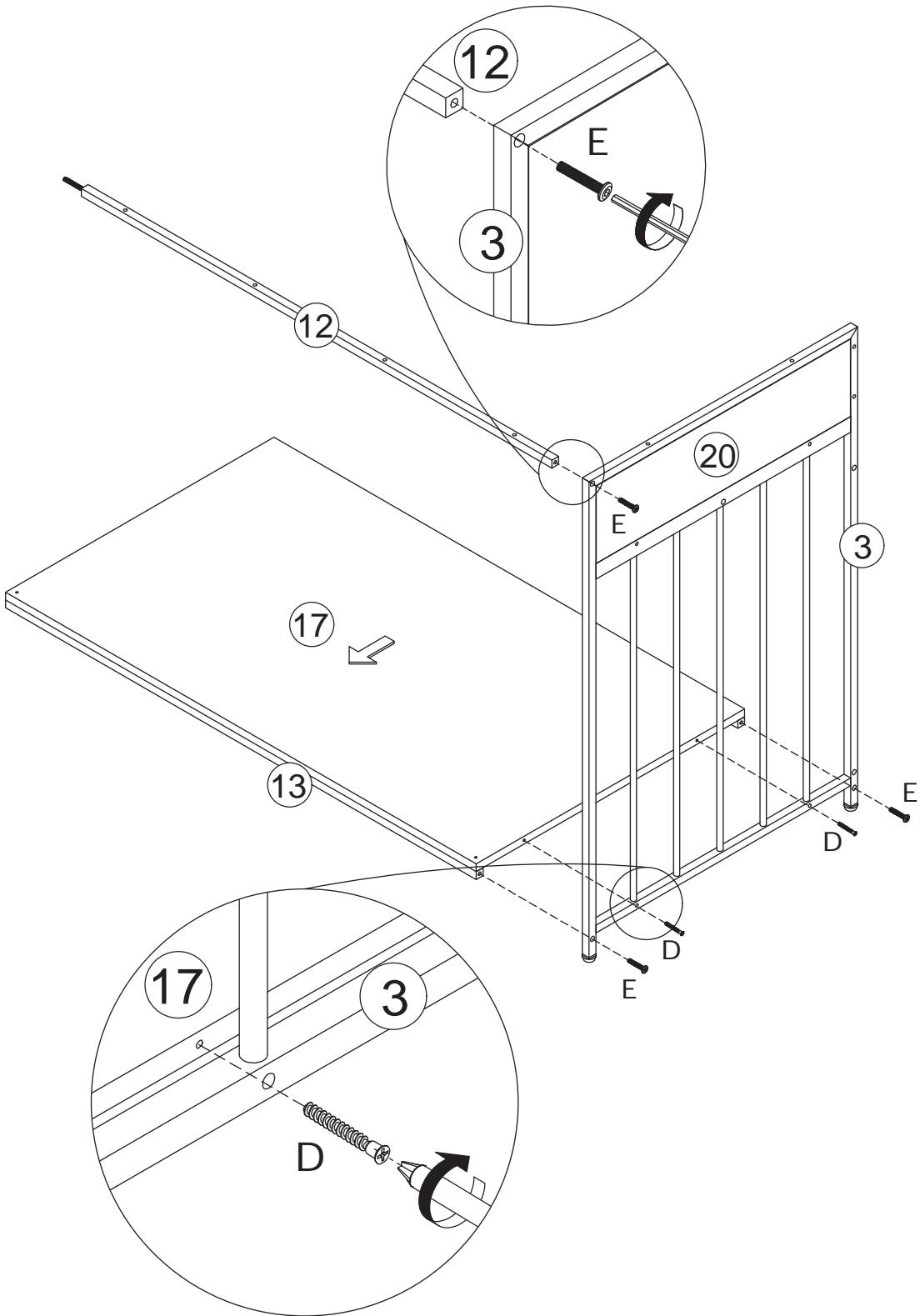
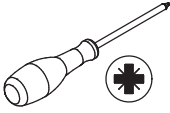
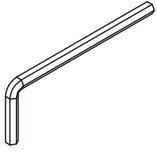
Screw (P) into tube 12 as shown.



9

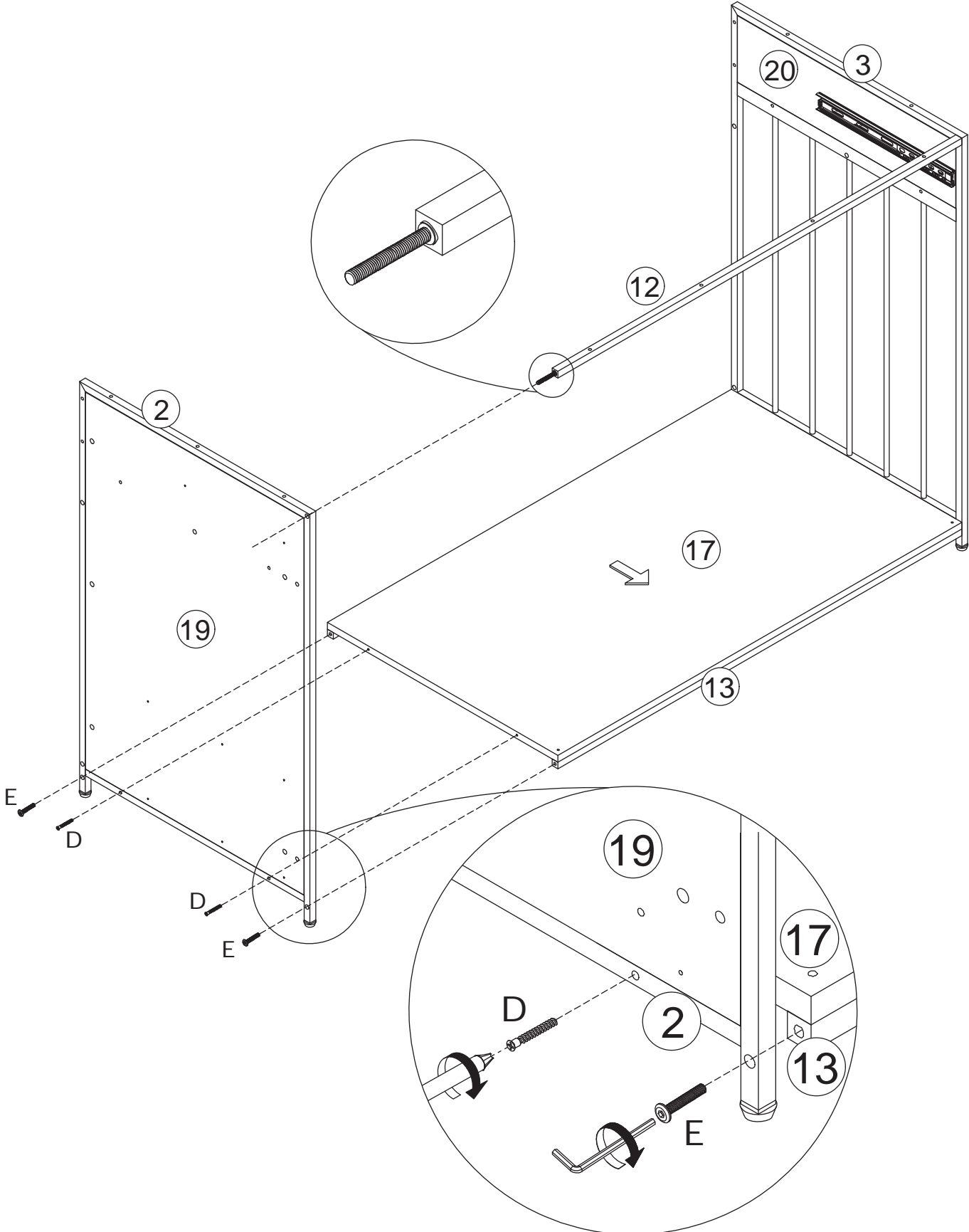
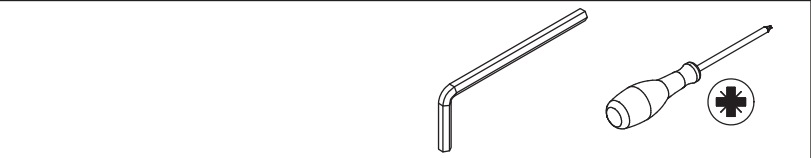
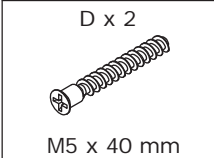
D x 2  
M5 x 40 mm

E x 3  
M6 x 35 mm



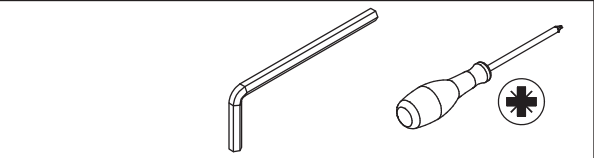
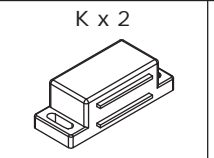
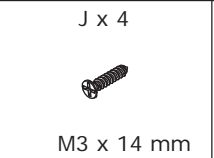
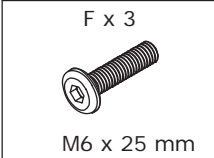
Fix steel tube 12 and 13 to metal frame 3 with screw(E) as shown.  
Fix board 17 to metal frame 3 with screw(D) as shown.

10

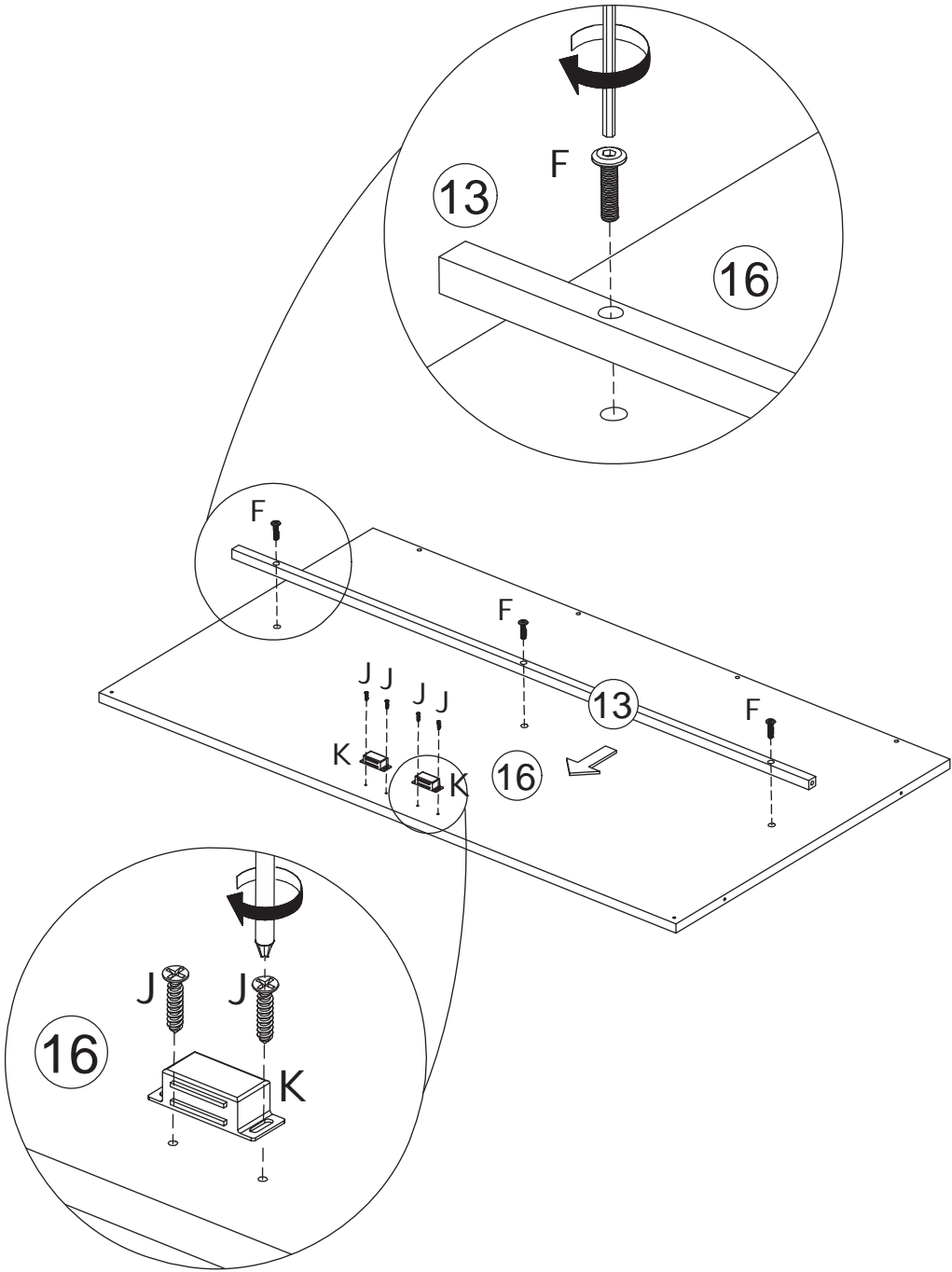


Fix steel tube 13 to metal frame 2 with screw(E) as shown.  
Fix board 17 to metal frame 2 with screw(D) as shown.

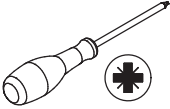
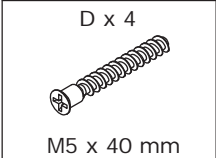
11



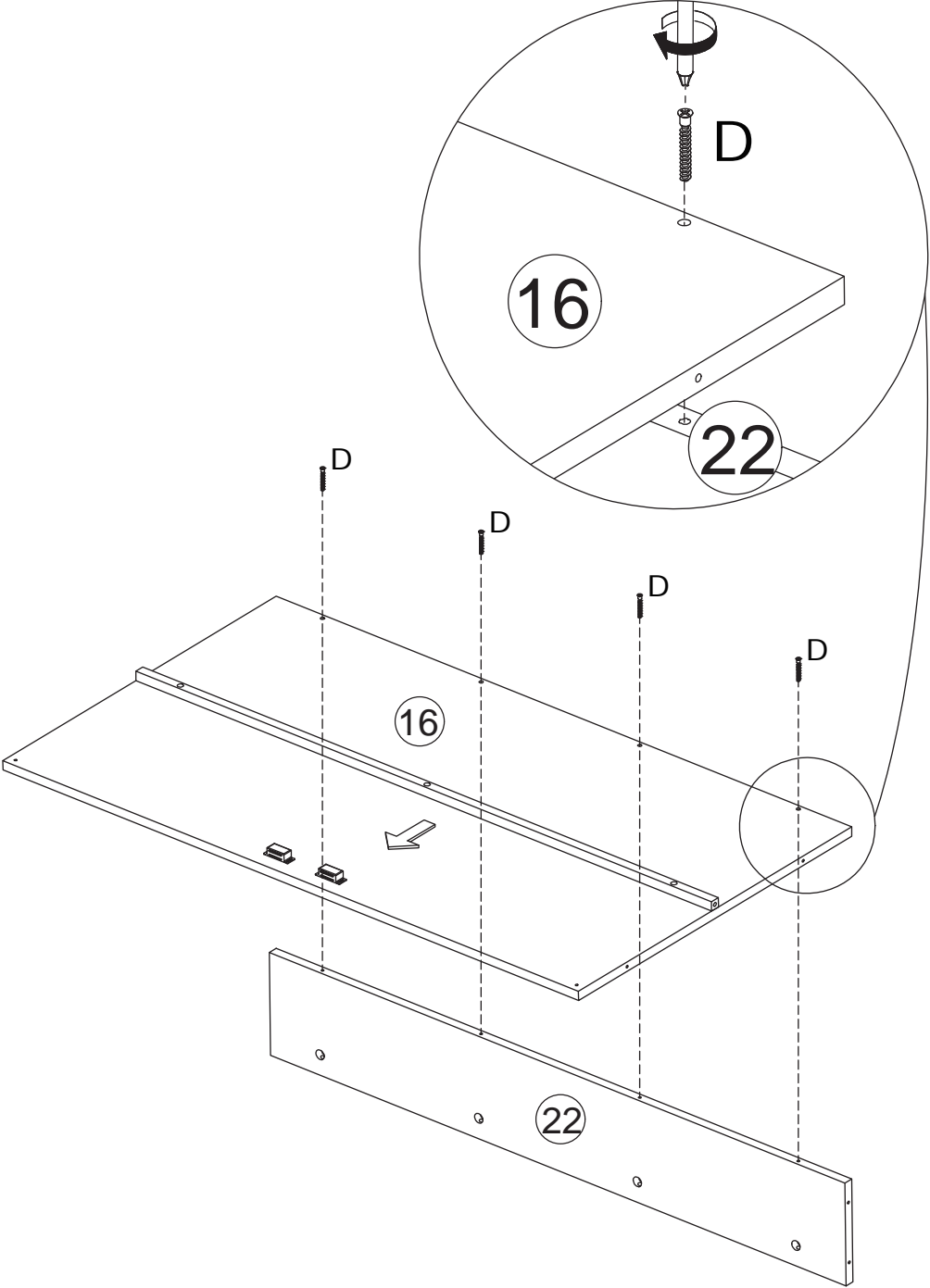
Fix steel tube 13 to board 16 with screw(F) as shown.  
Fix part(K) to board 16 with screw(J) as shown.



12

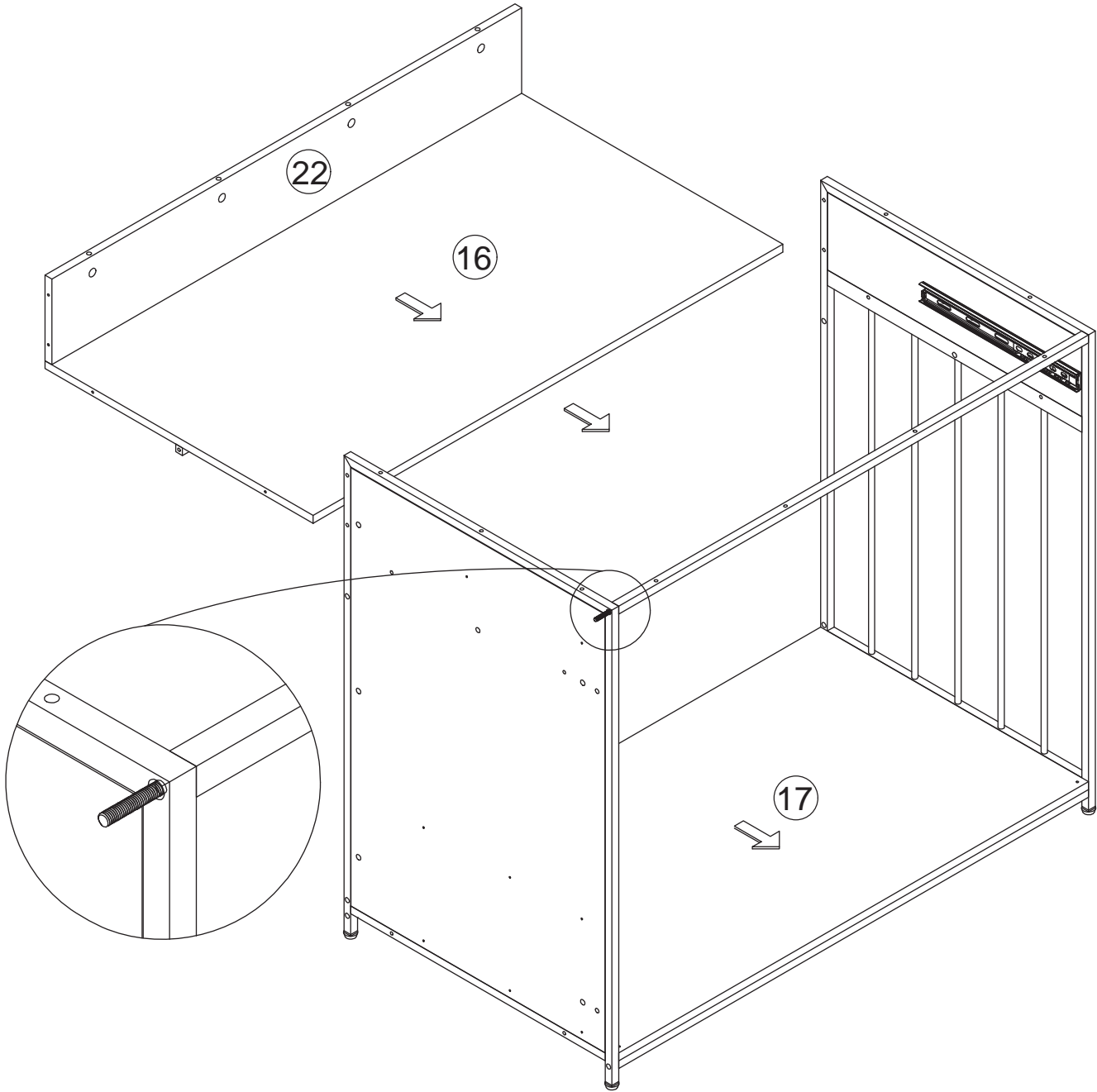


Fix board 16 to board 22 with screw(D) as shown.

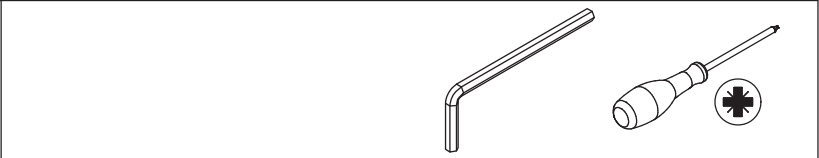


13

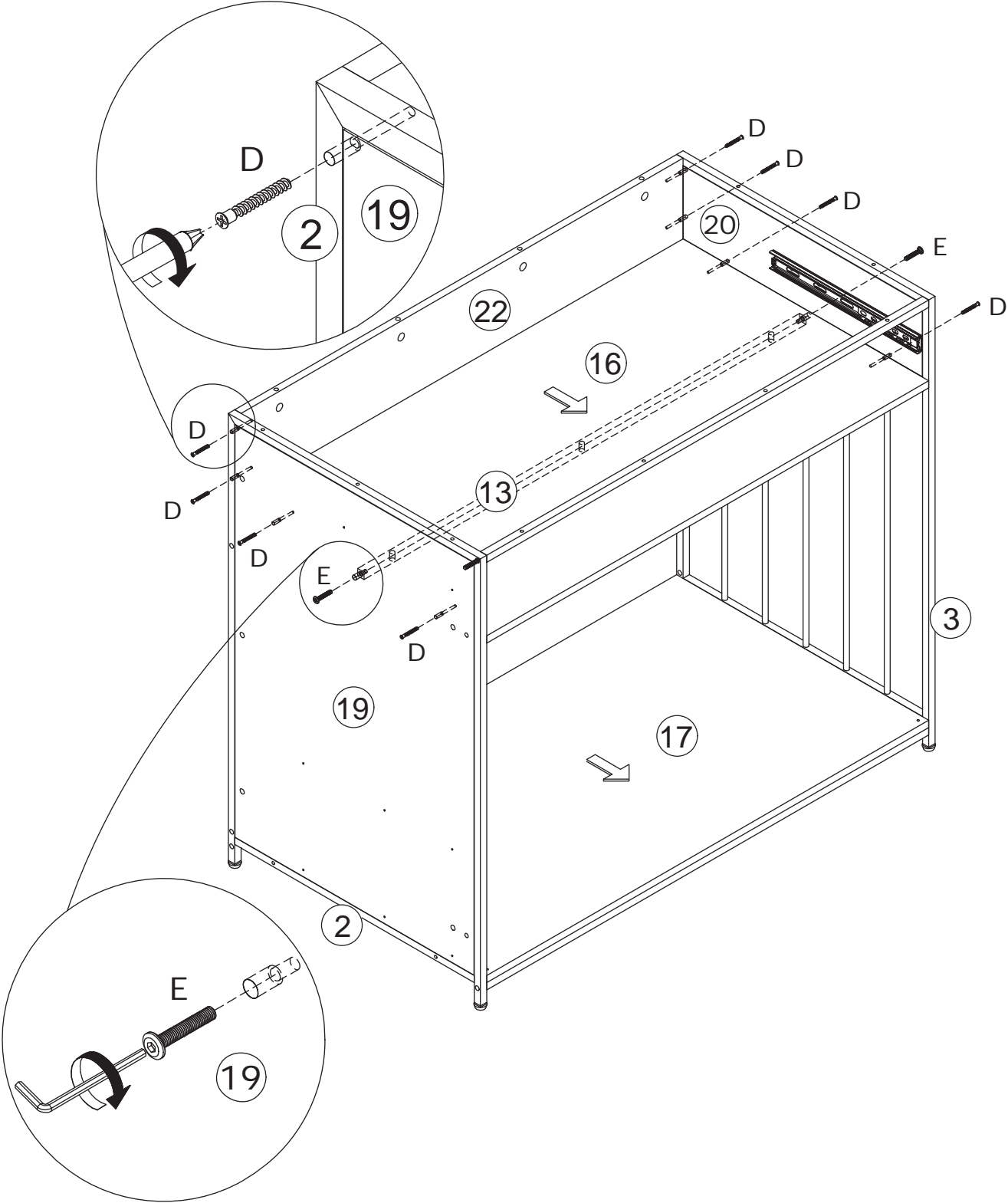
Place board 16 and 22 into the cabinet at first.



14



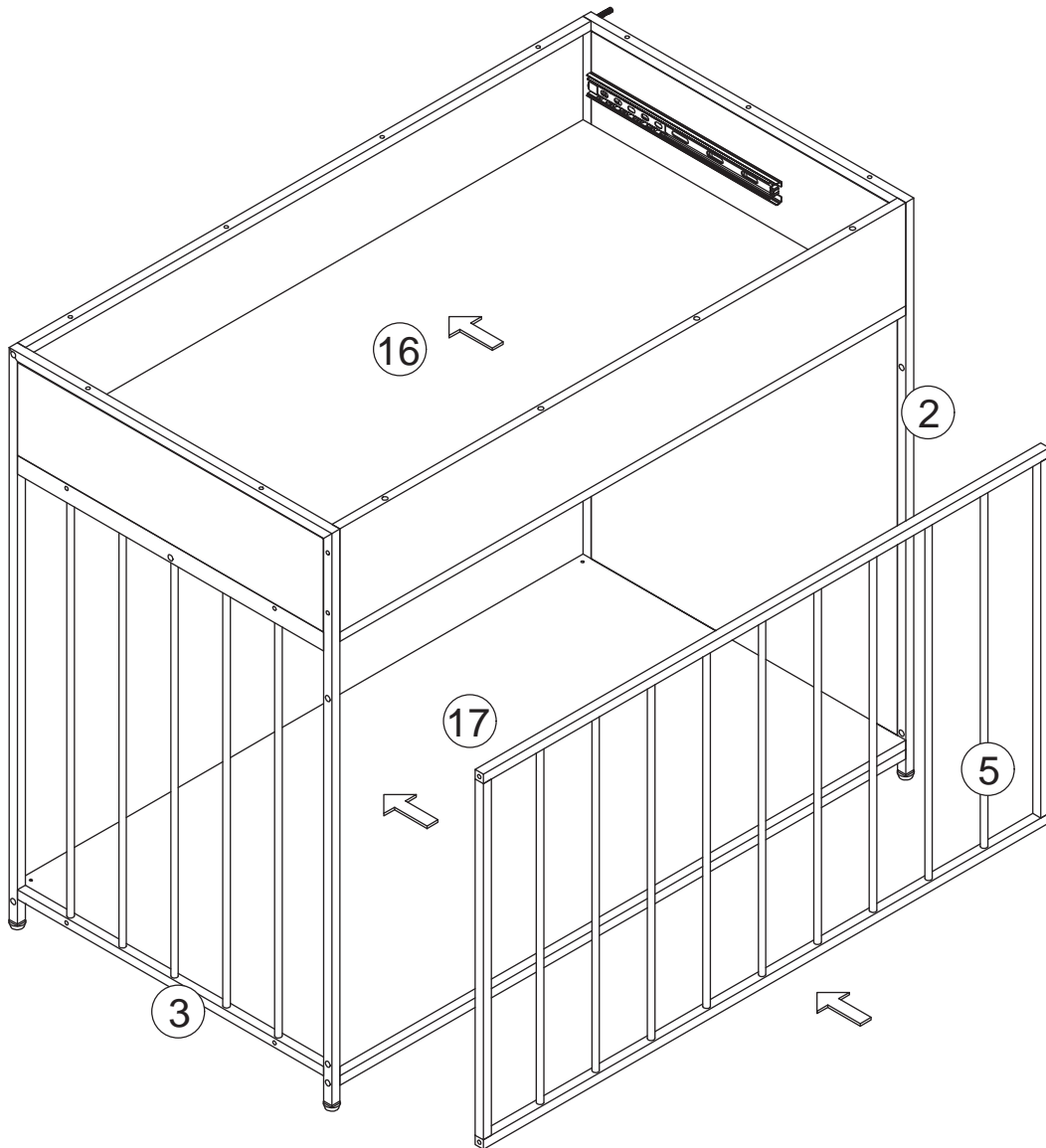
Fix board 16 to board 19 and metal frame 3 with screw(D) as shown.  
Fix board 22 to metal frame 2 and 3 with screw(D) as shown.  
Fix steel tube 13 to board 19 and metal frame 3 with screw(E) as shown.





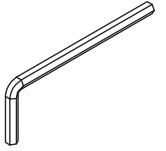
15

Place metal frame 5 into the component at first.

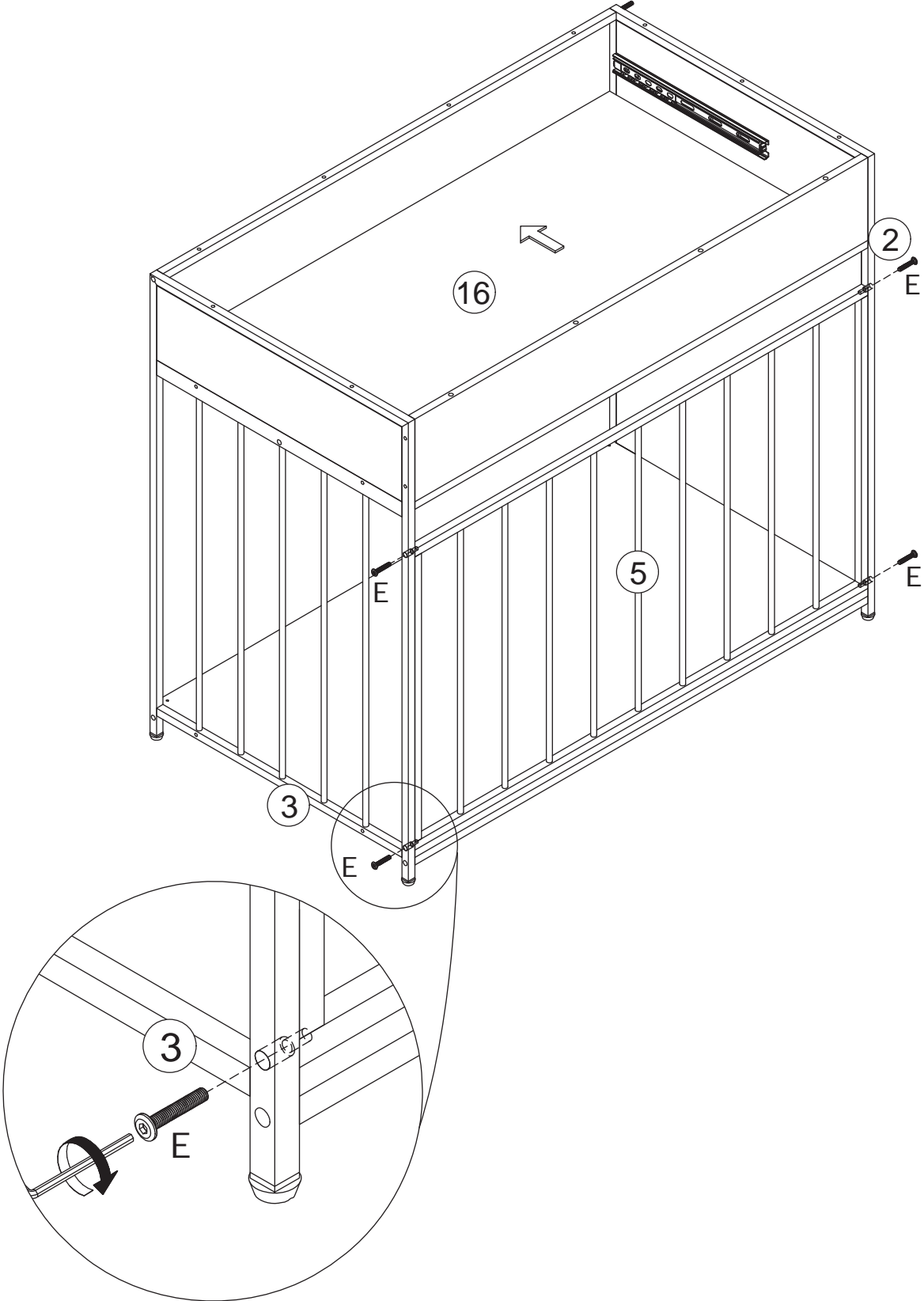


16

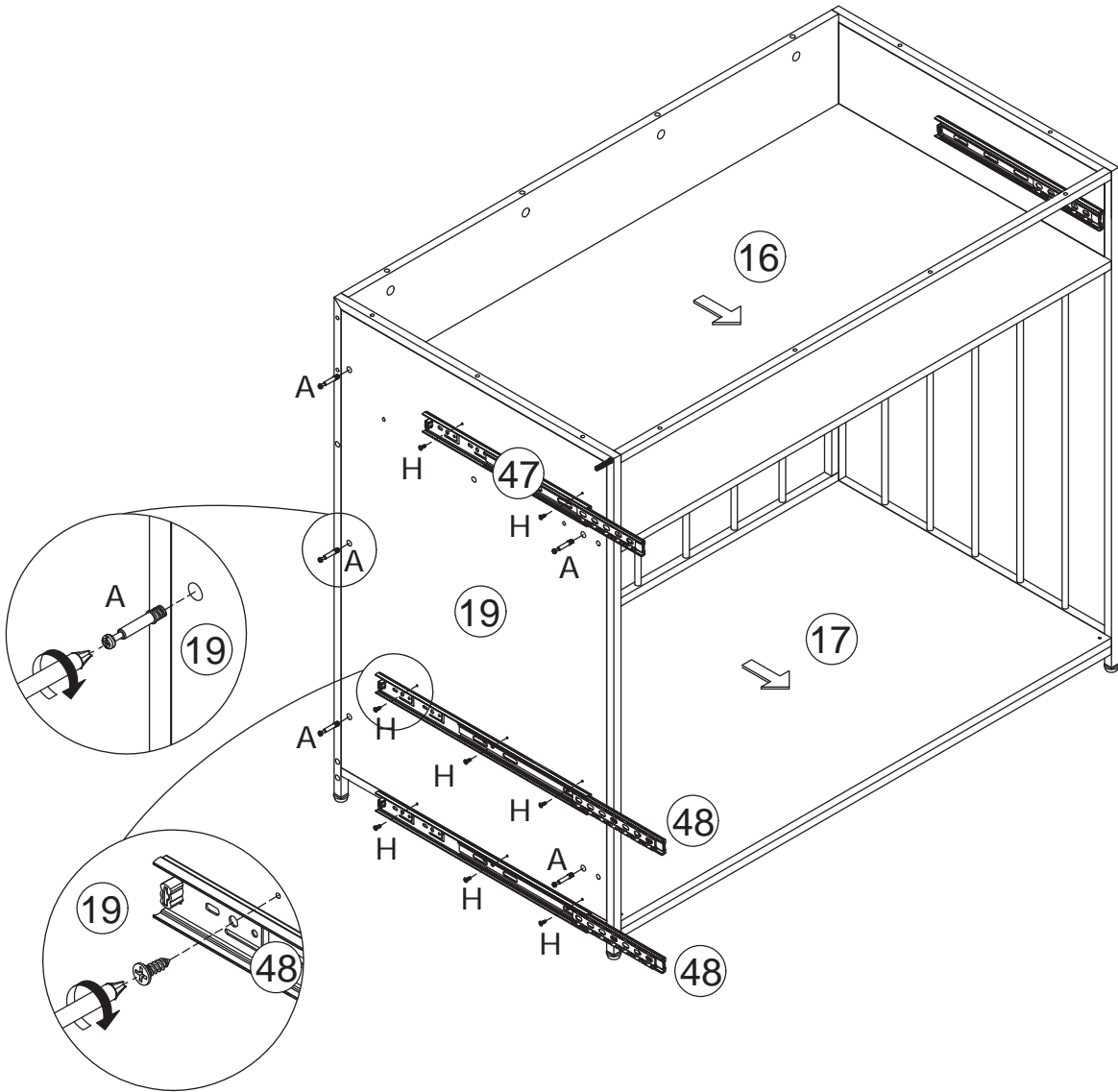
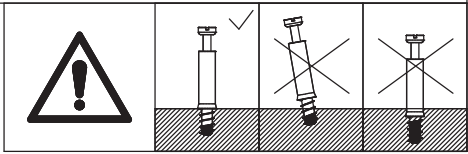
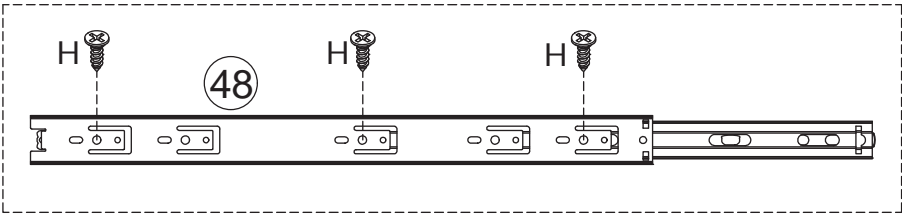
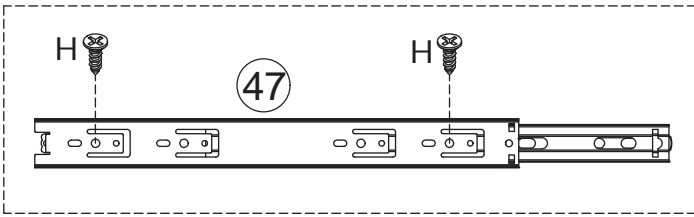
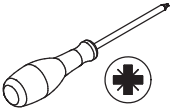
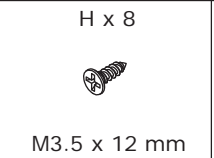
E x 4  
M6 x 35 mm



Fix metal frame 5 to metal frame 2 and 3 with screw(E) as shown.

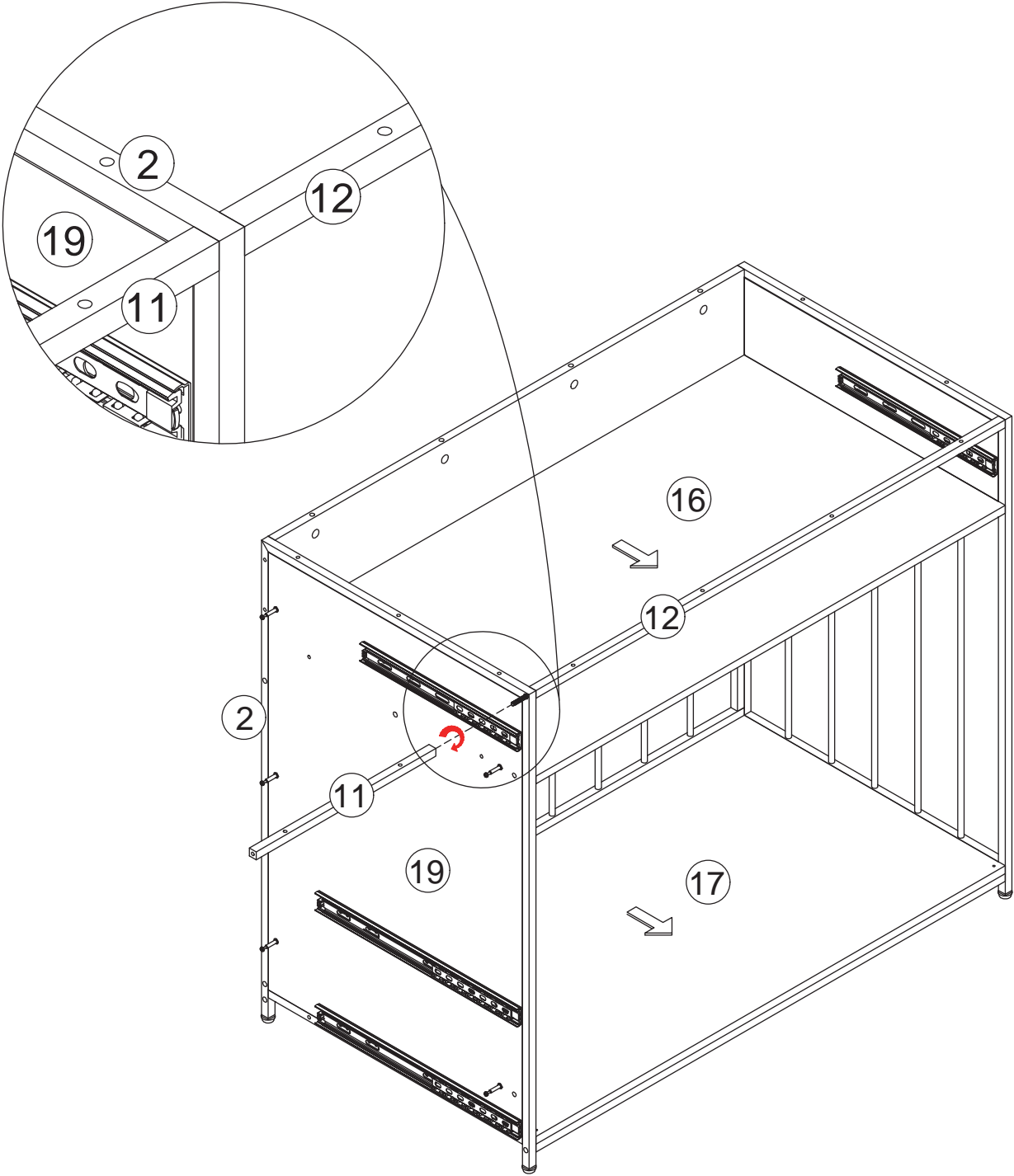


17



Fix slide rail 47 to board 19 with screw(H) as shown.  
Fix slide rail 48 to board 19 with screw(H) as shown.  
Screw eccentric rod(A) into board 19 with a screwdriver as shown.

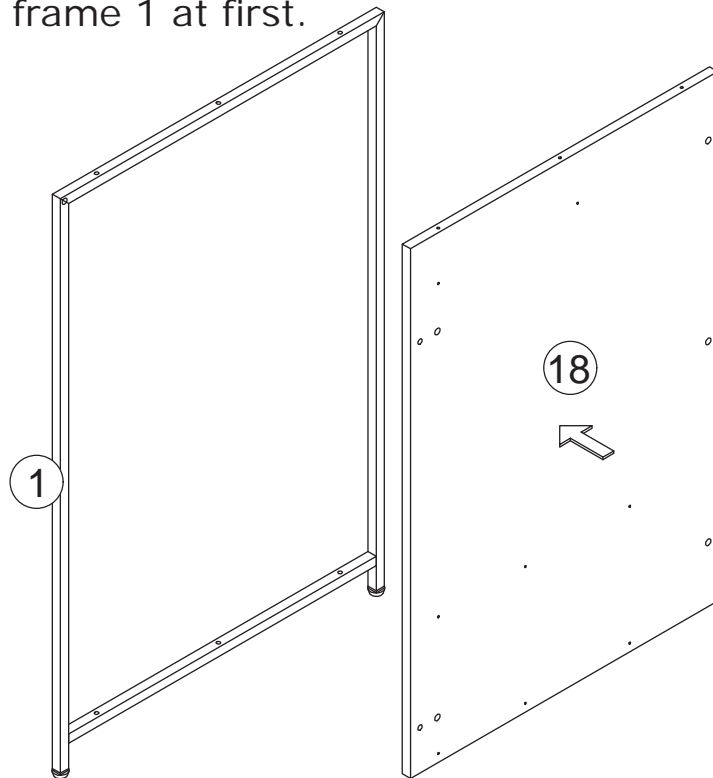
18



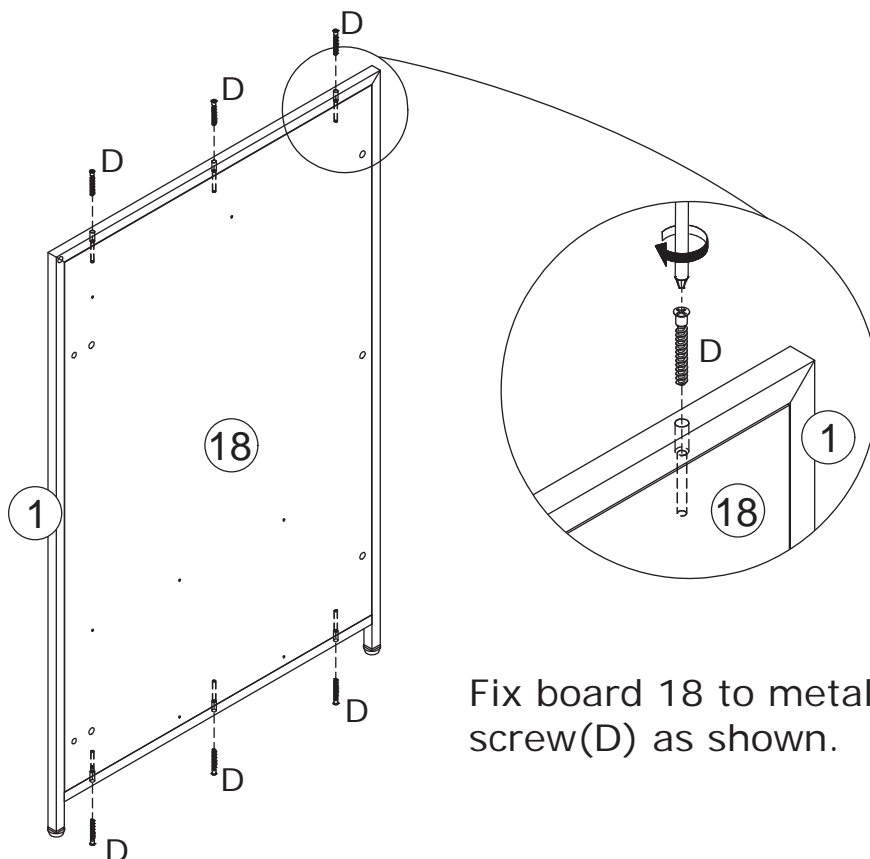
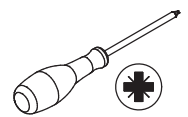
Rotate steel tube 11 into metal frame 2 as shown.

19

Place board 18 into metal frame 1 at first.

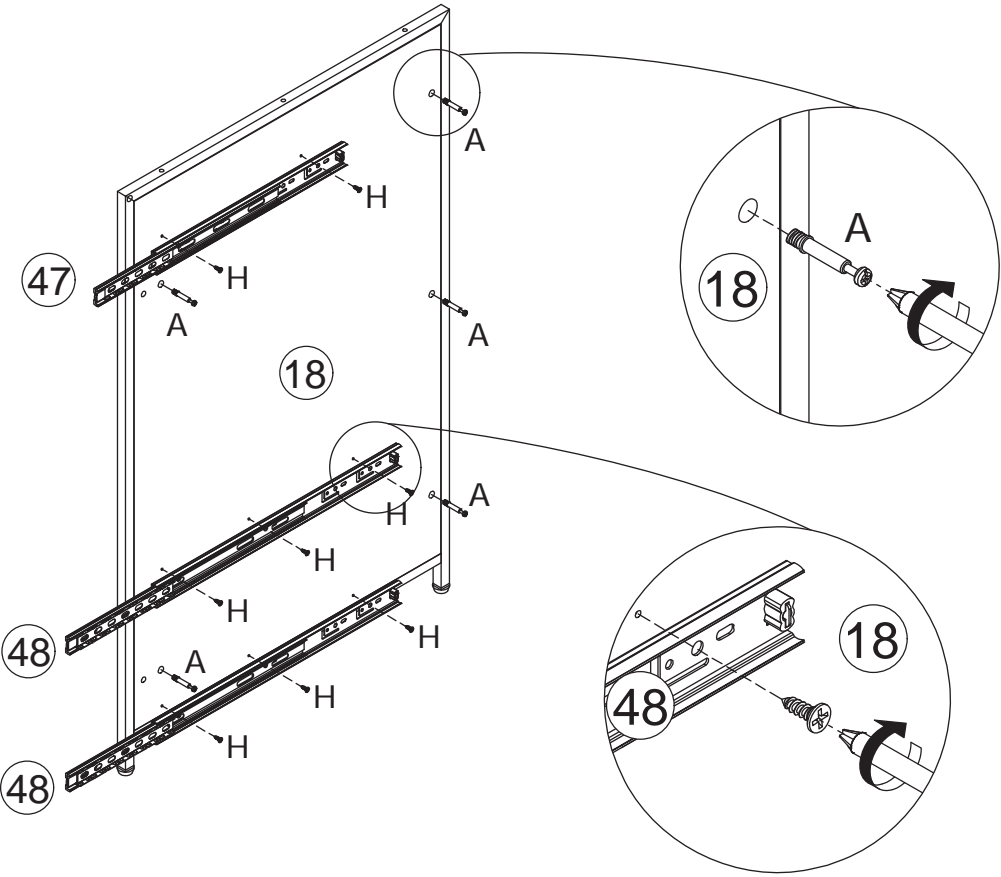
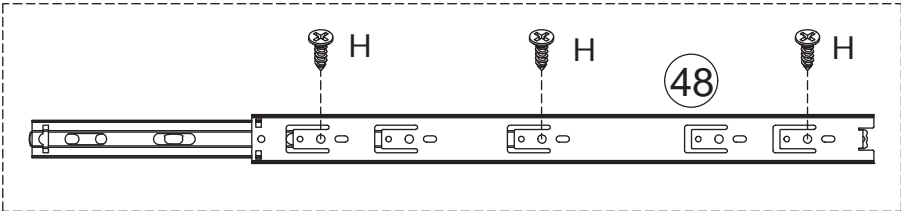
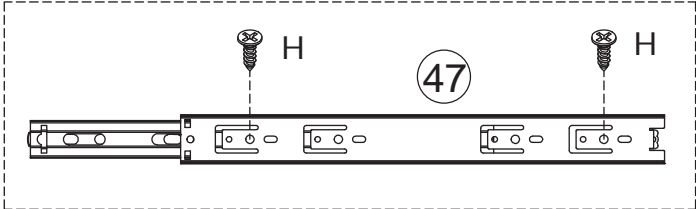
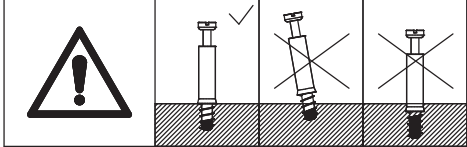
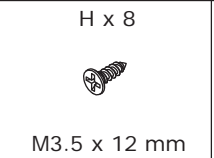
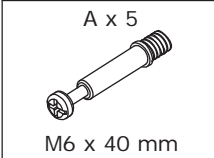


20



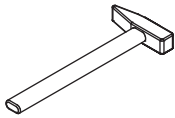
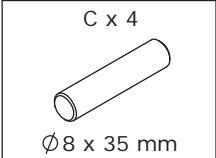
Fix board 18 to metal frame 1 with screw(D) as shown.

21

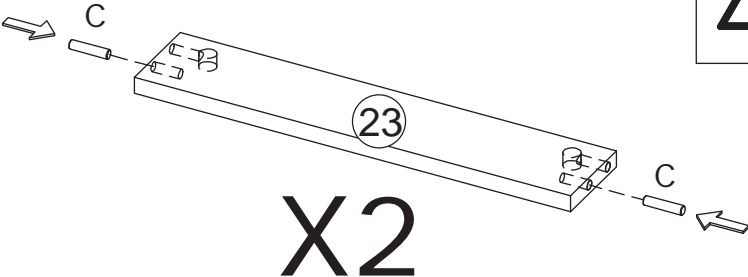
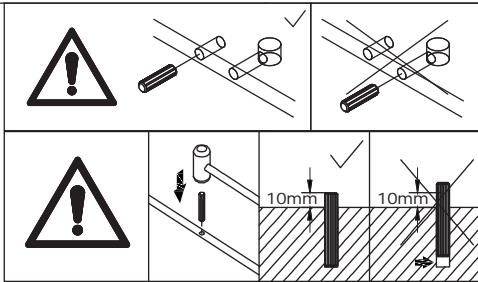


Fix slide rail 47 to board 18 with screw(H) as shown.  
Fix slide rail 48 to board 18 with screw(H) as shown.  
Screw eccentric rod(A) into board 18 with a screwdriver as shown.

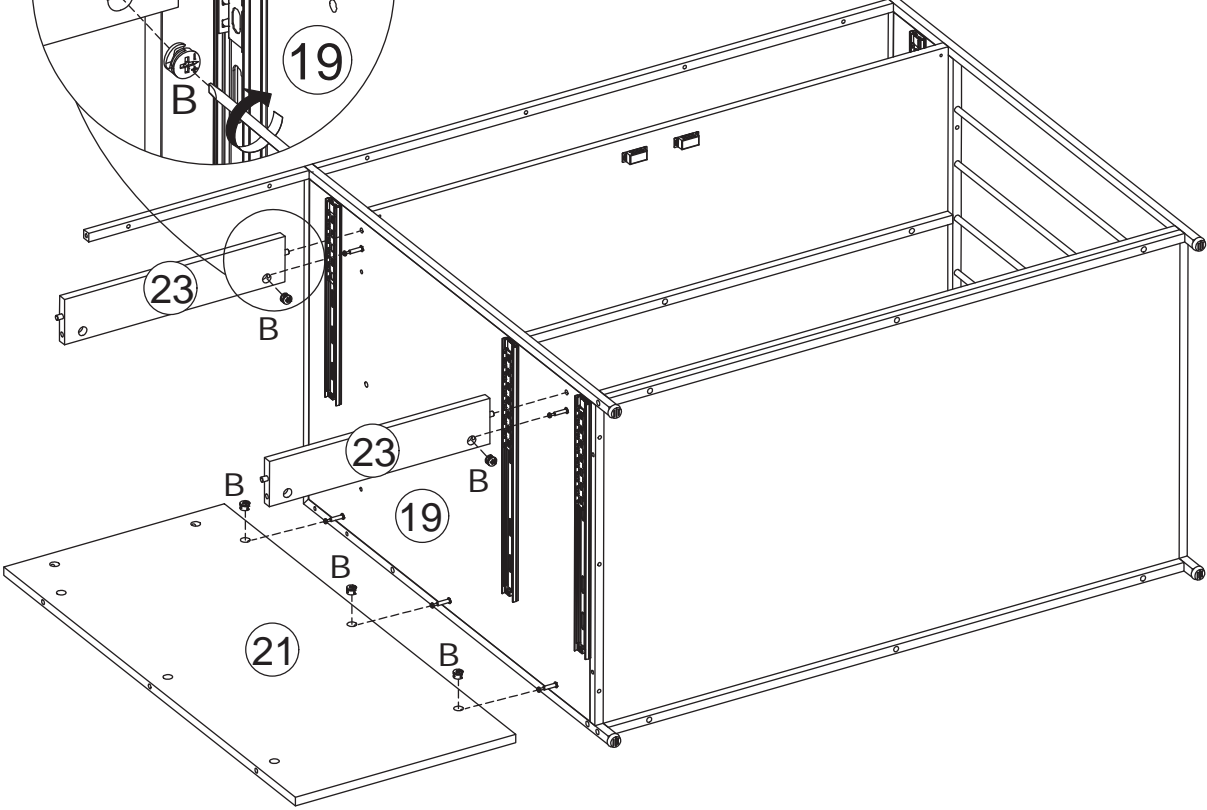
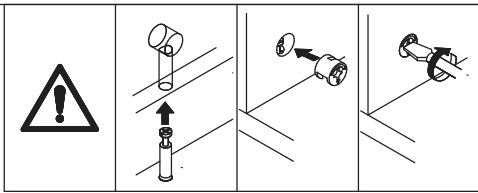
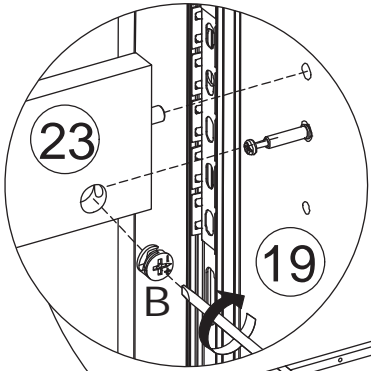
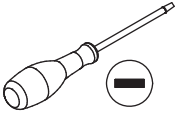
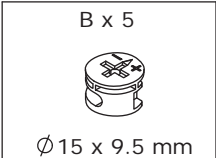
22



Insert wooden dowel(C) into board 23 as shown.



23

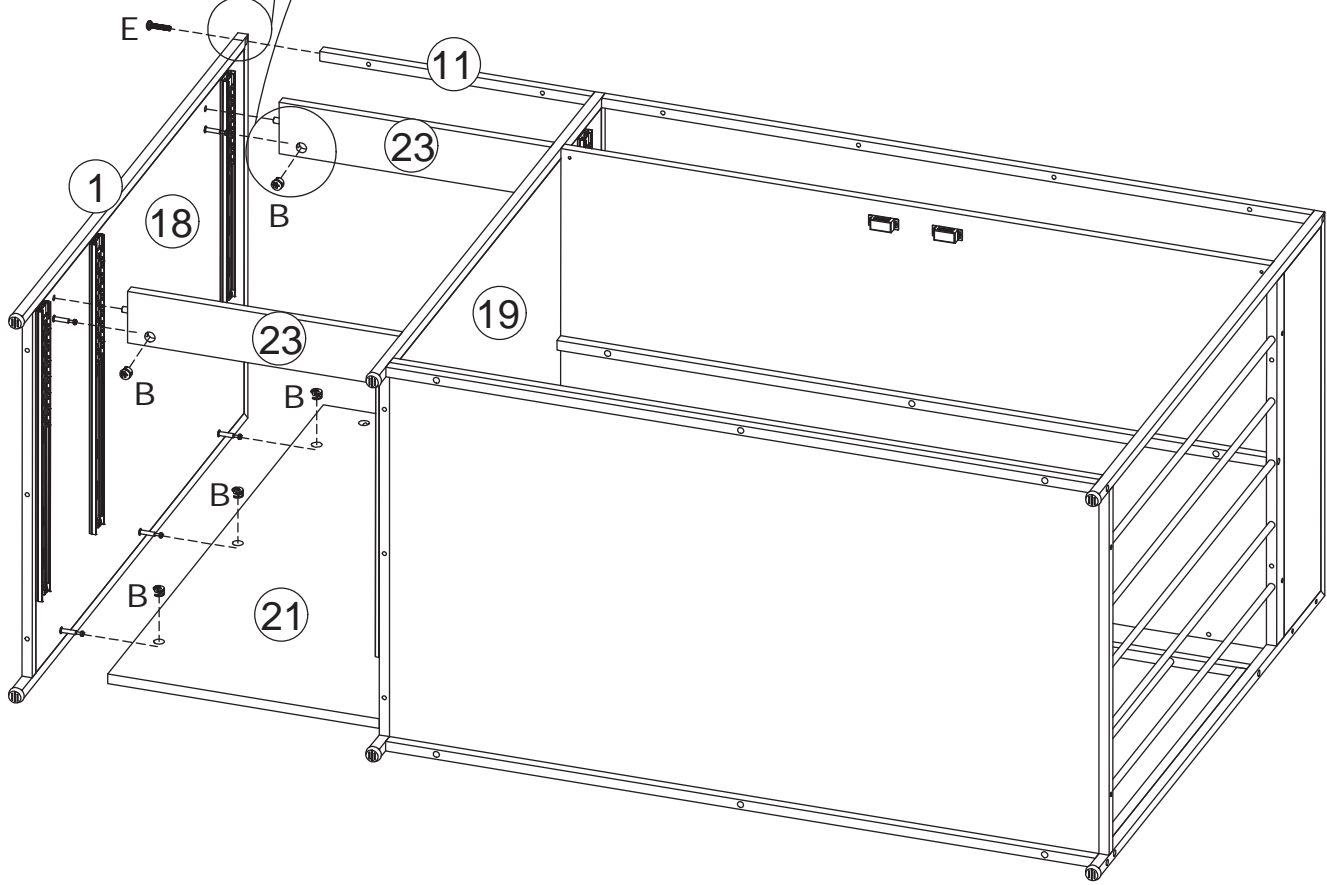
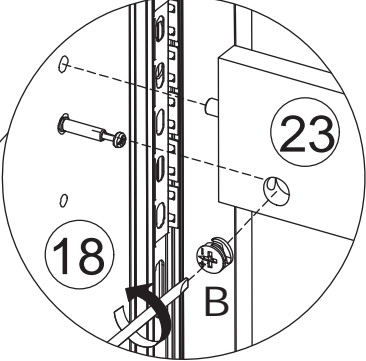
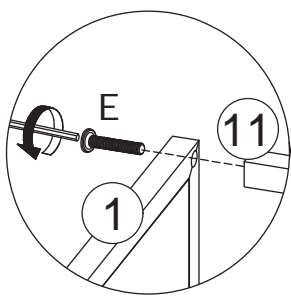
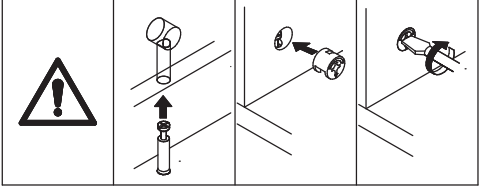
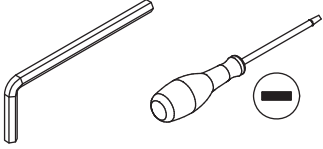


Attach board 21 and 23 to board 19, add cam lock(B) into board 21,23 and turn clockwise to tighten as shown.

24

B x 5  
Ø 15 x 9.5 mm

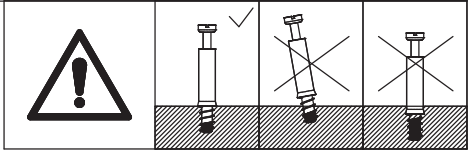
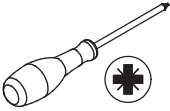
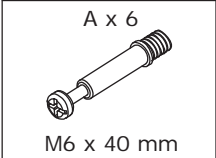
E x 1  
M6 x 35 mm



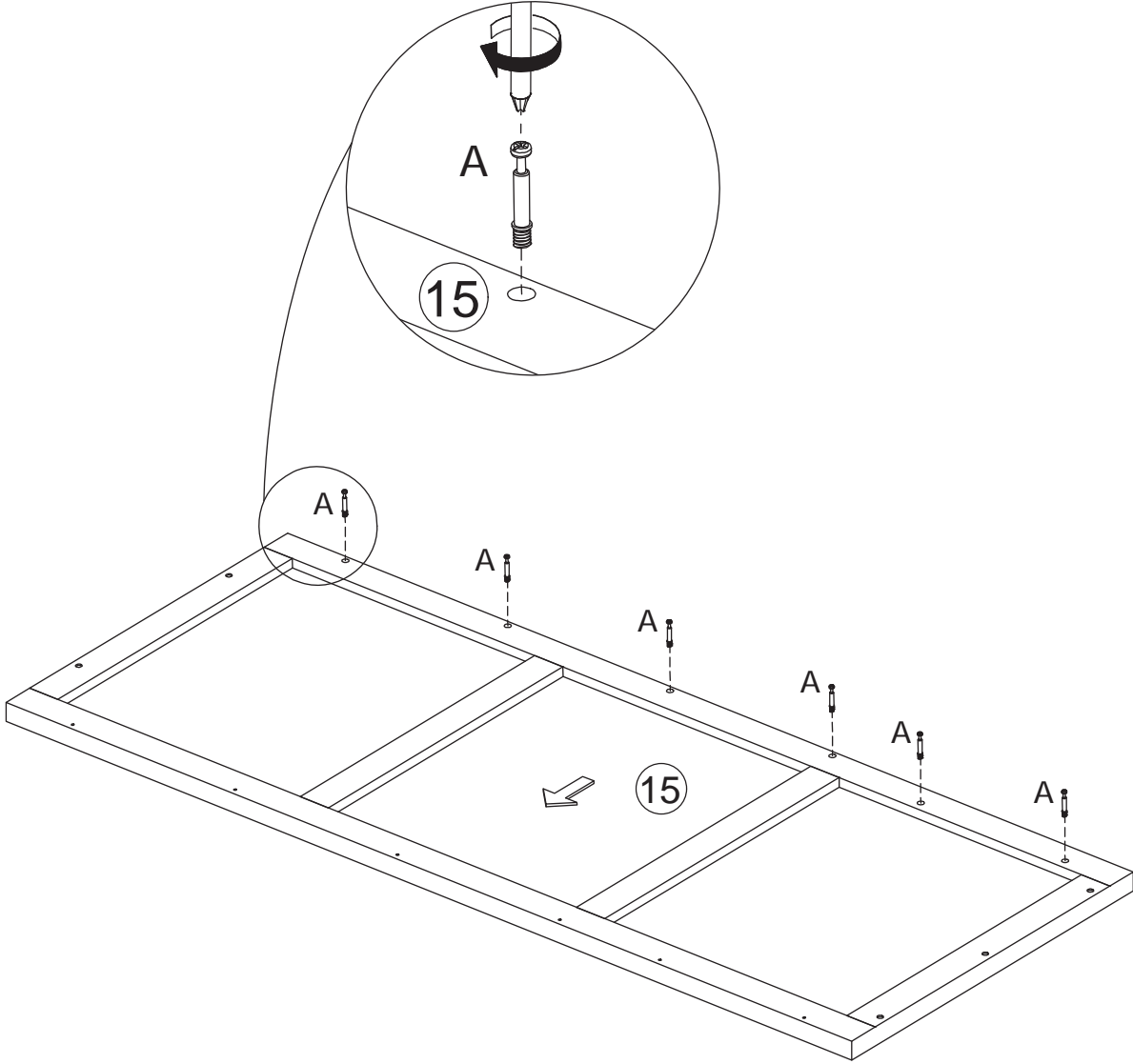
Attach board 18 to board 21 and 23, add cam lock(B) into board 21,23 and turn clockwise to tighten as shown.  
Fix steel tube 11 to metal frame 1 with screw(E) as shown.



25

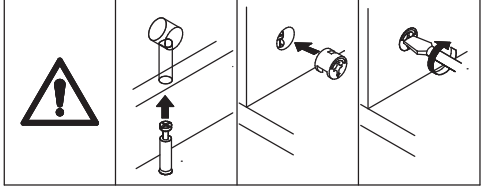
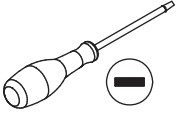


Screw eccentric rod(A) into board 15 as shown.

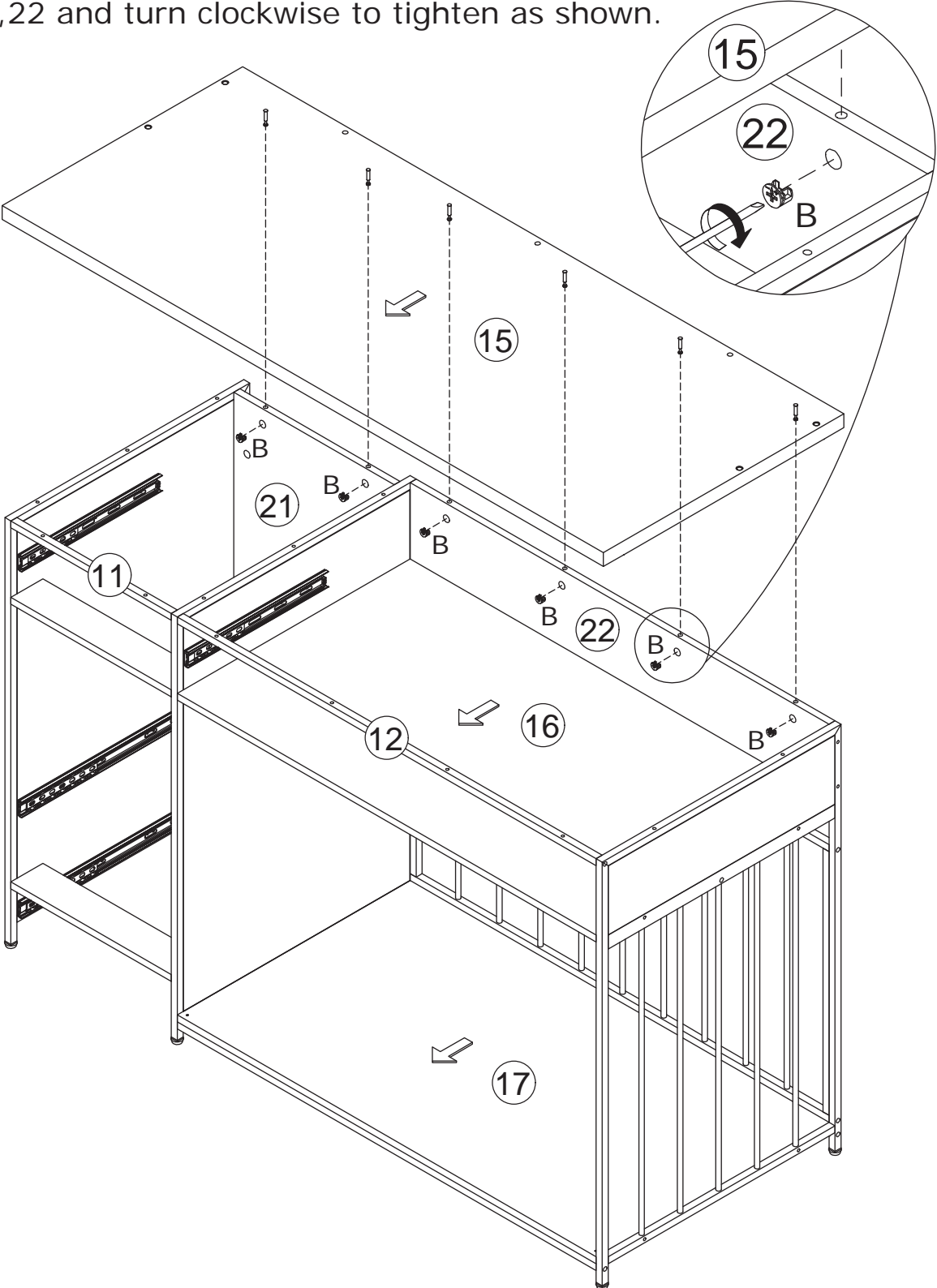


26

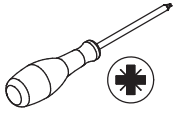
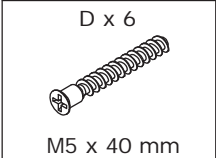
B x 6  
Ø 15 x 9.5 mm



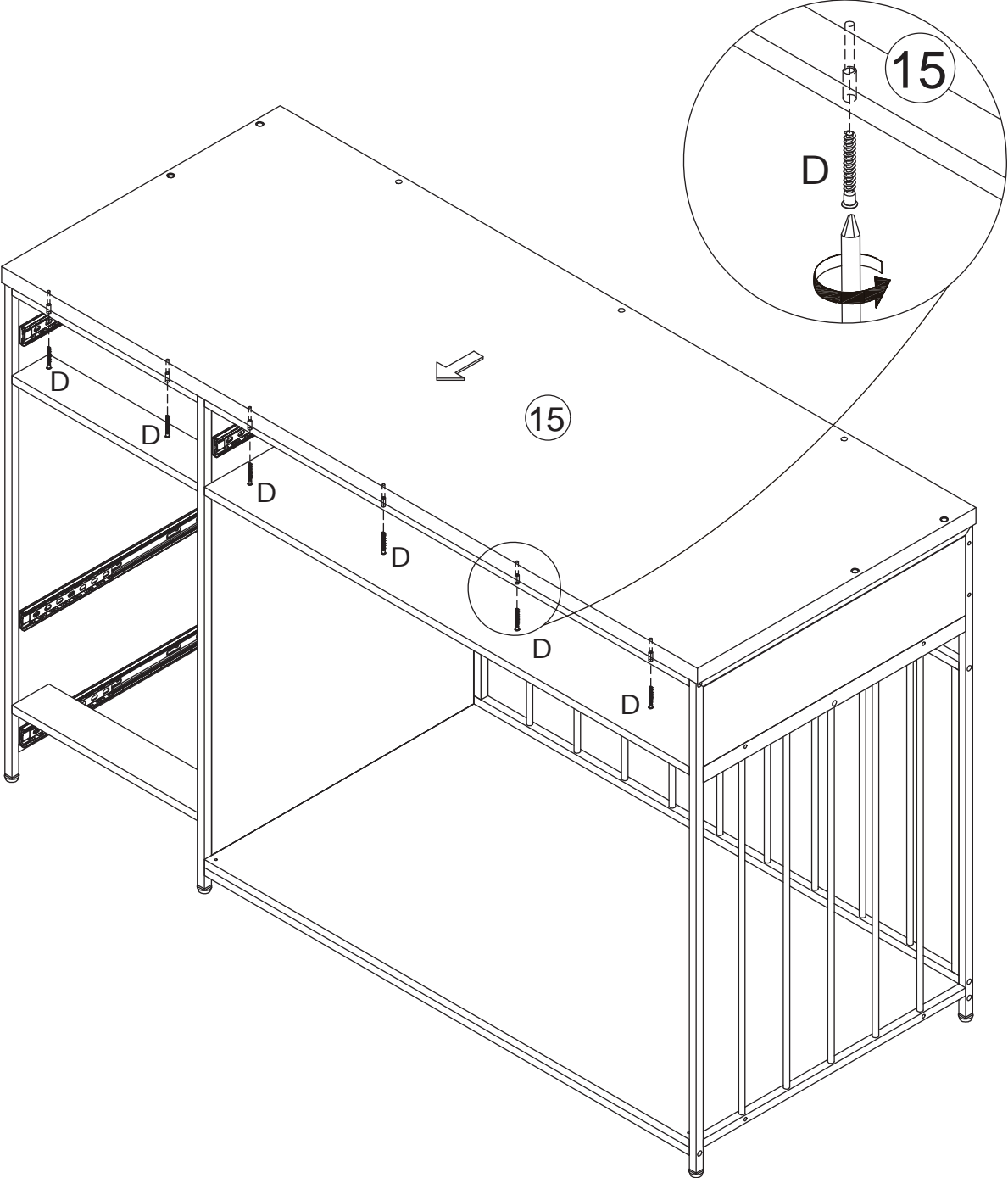
Cover board 15 to the top, add cam lock(B) into board 21,22 and turn clockwise to tighten as shown.



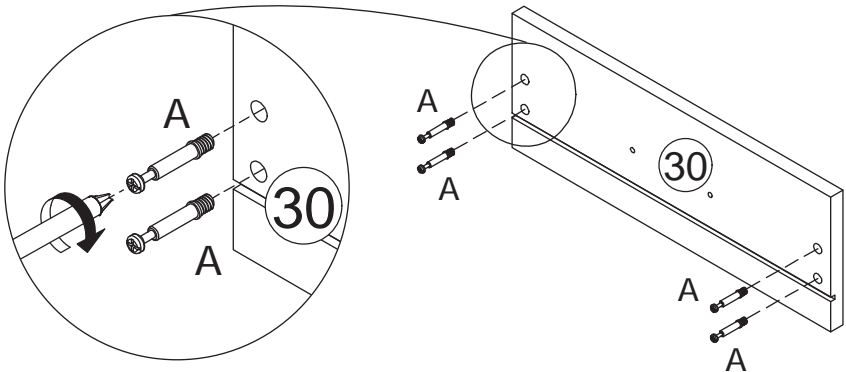
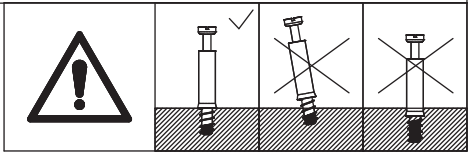
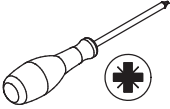
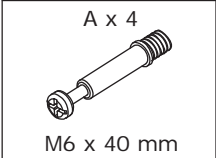
27



Fix board 15 to the component with screw(D) as shown.

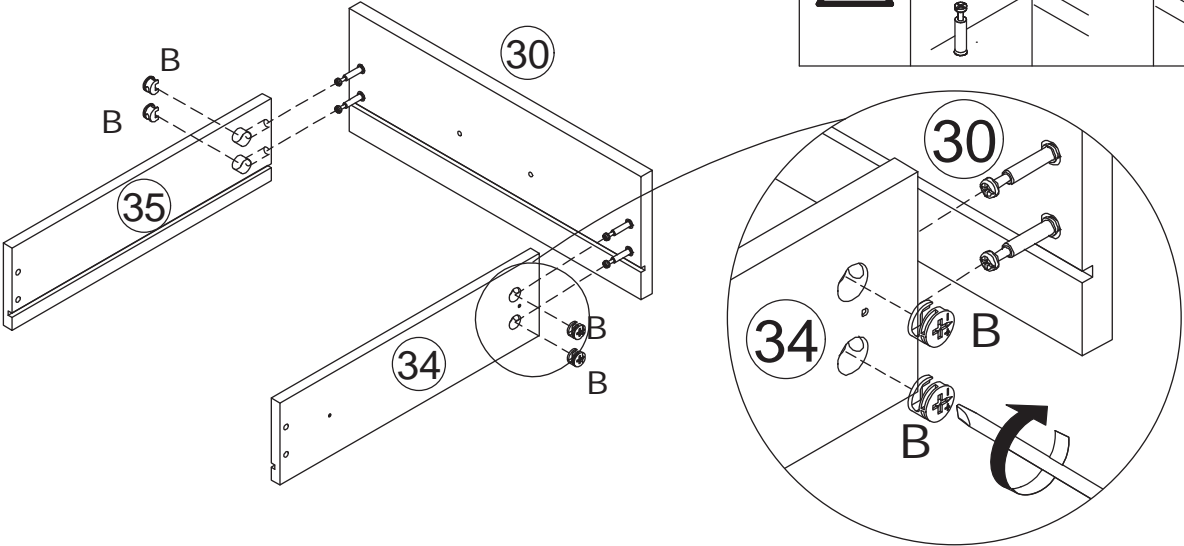
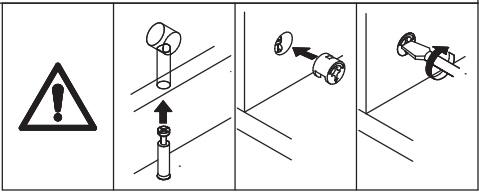
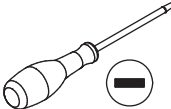
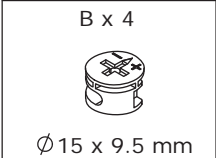


28



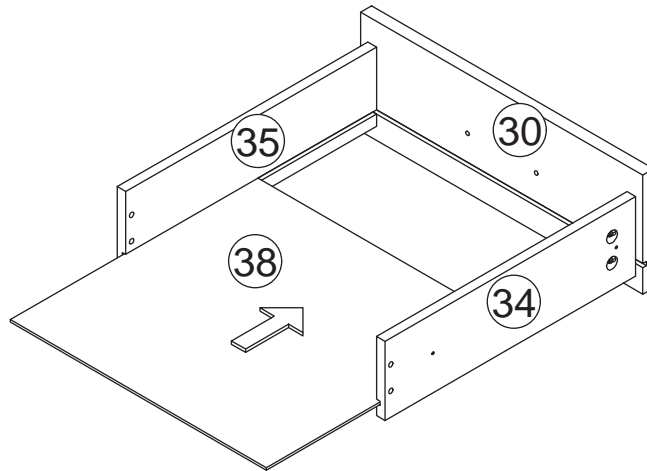
Screw eccentric rod(A) into board 30 as shown.

29



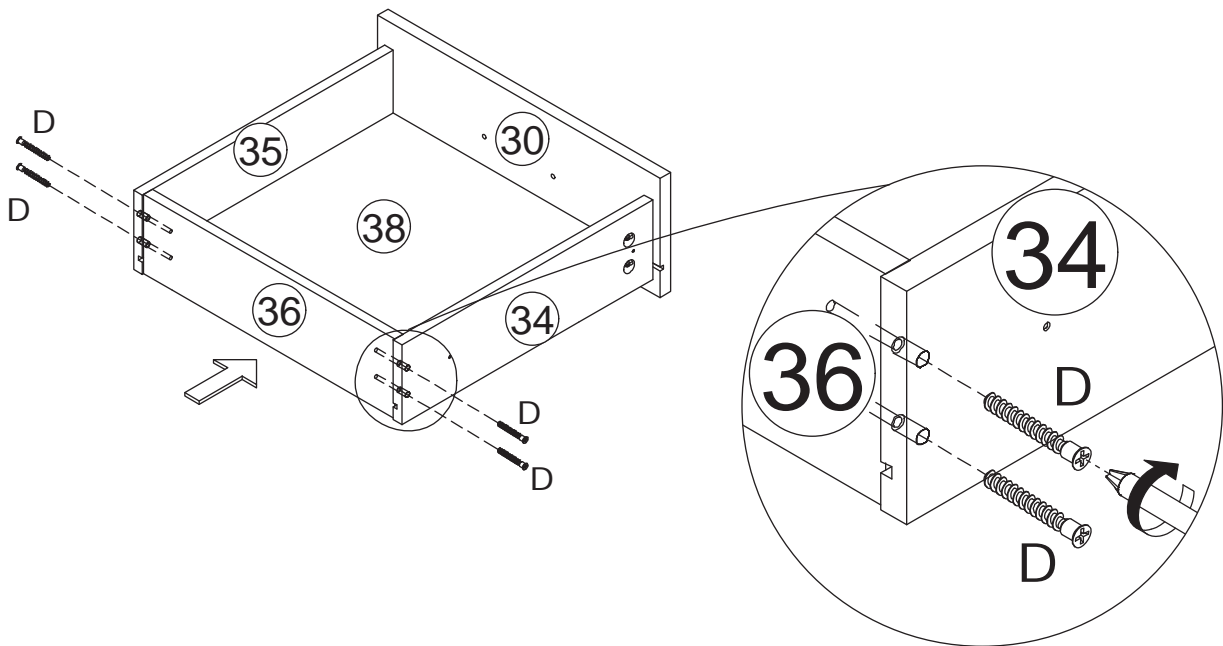
Attach board 30 to board 34 and 35, add cam lock(B) into and turn clockwise to tighten as shown.

30



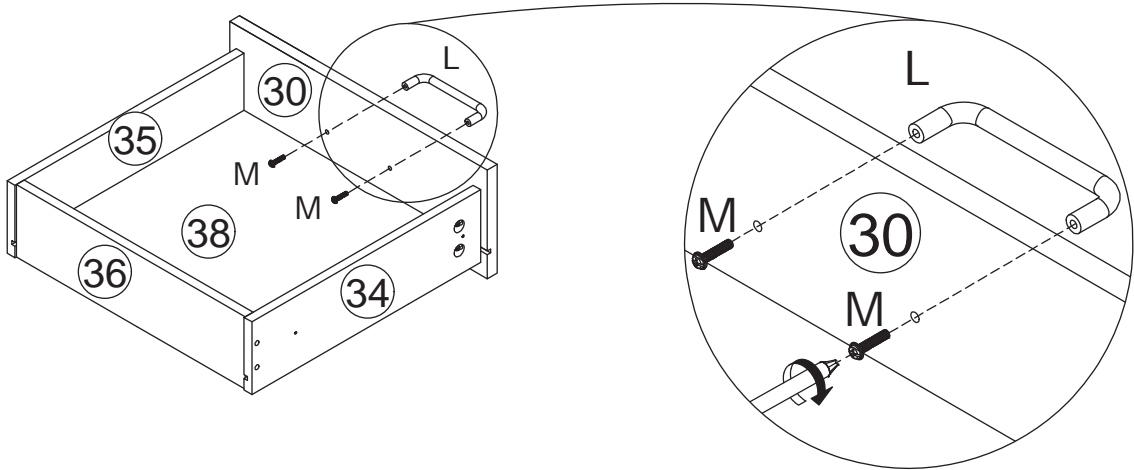
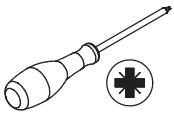
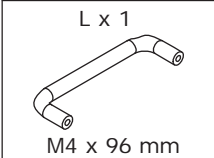
Insert bottom board 38 along available grooves as shown.

31



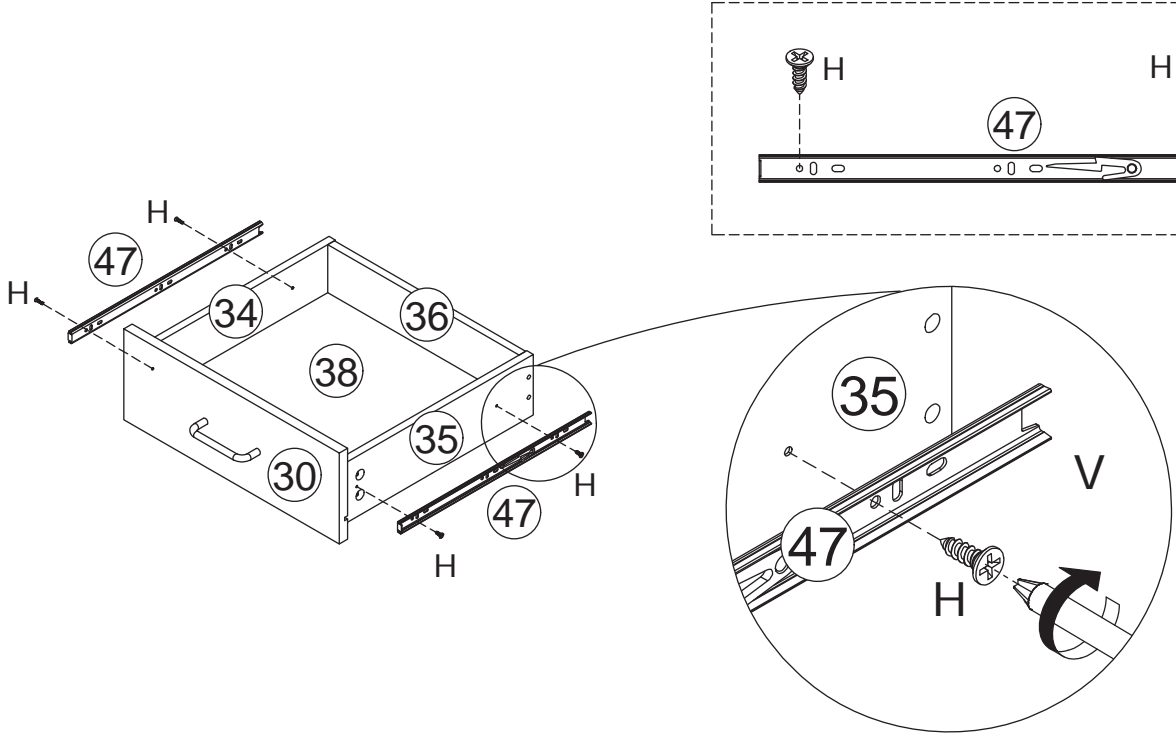
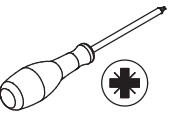
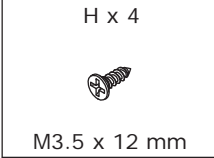
Fix board 36 to board 34 and 35 with screw(D) as shown.

32



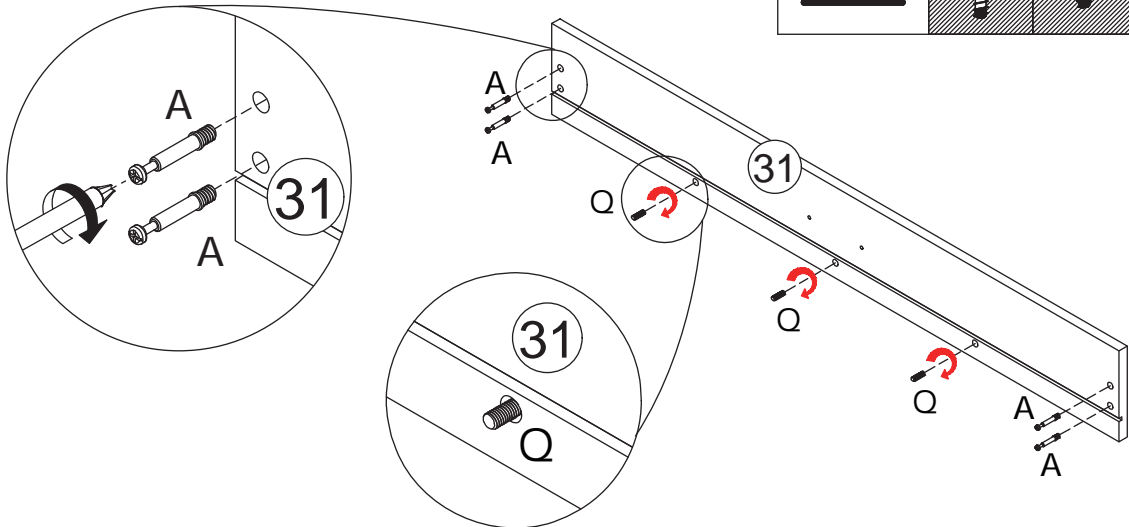
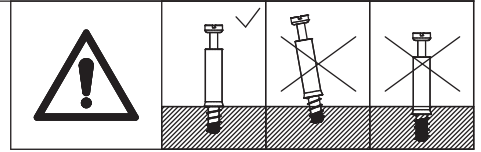
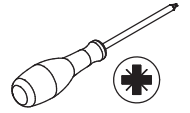
Fix handle(L) to board 30 with screw(M) as shown.

33



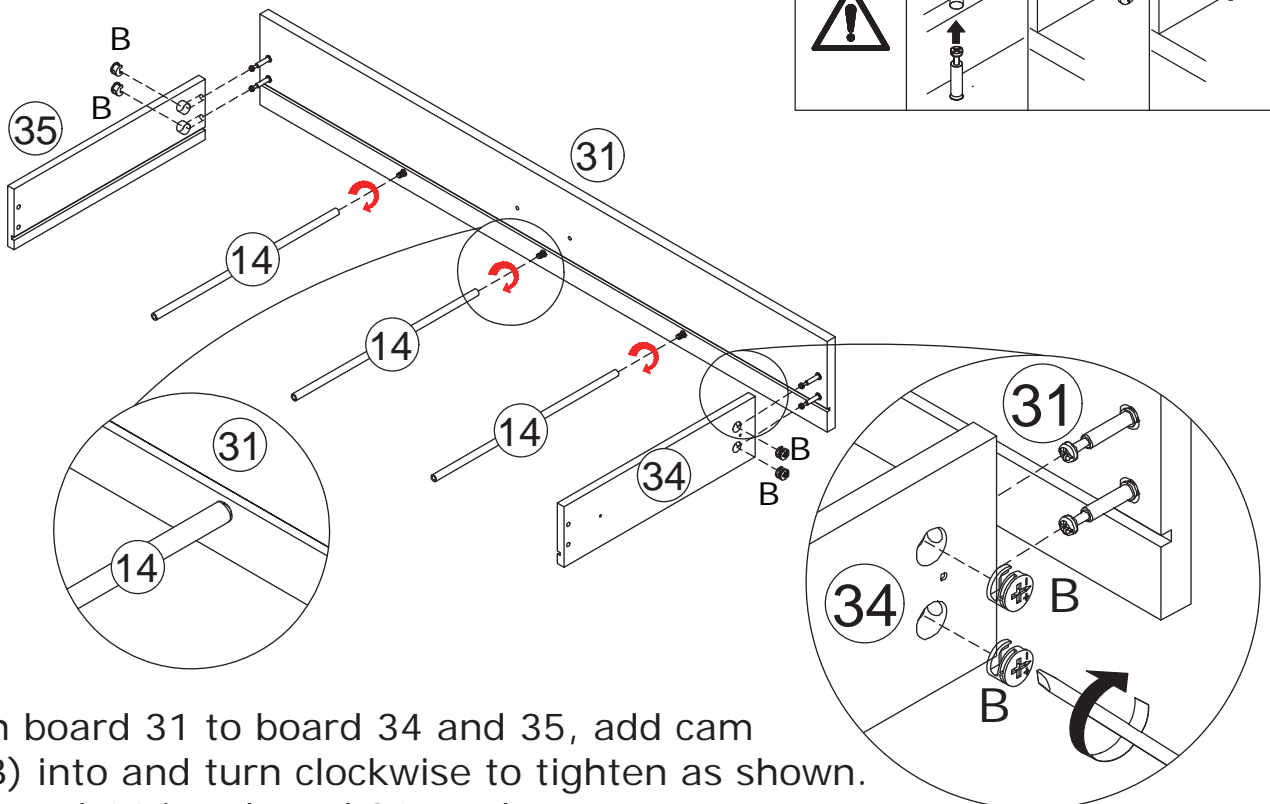
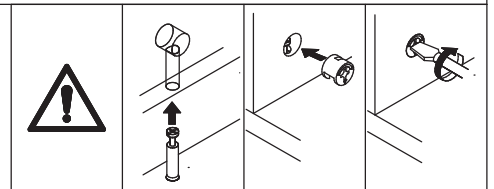
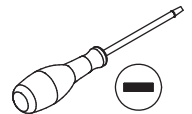
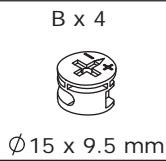
Fix runner 47 to board 34 and 35 with screw(H) as shown.

# 34



Screw eccentric rod(A) into board 31 as shown.  
Screw (Q) into board 31 as shown.

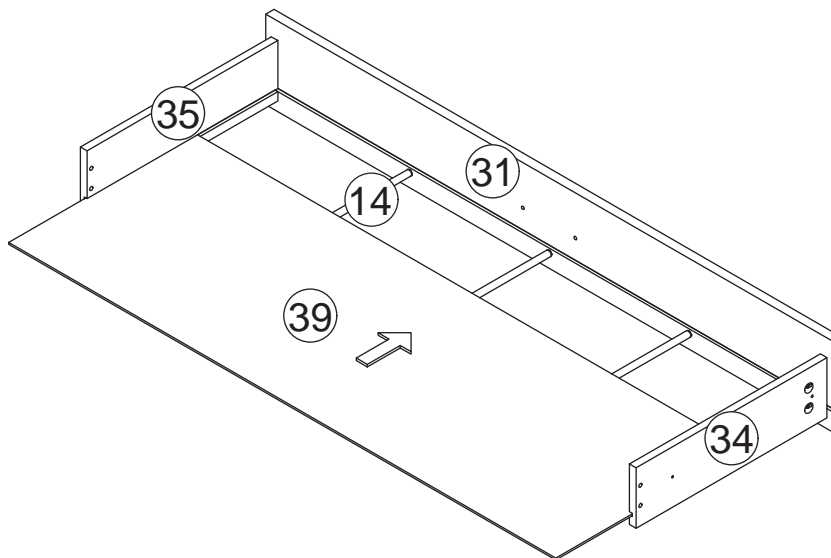
# 35



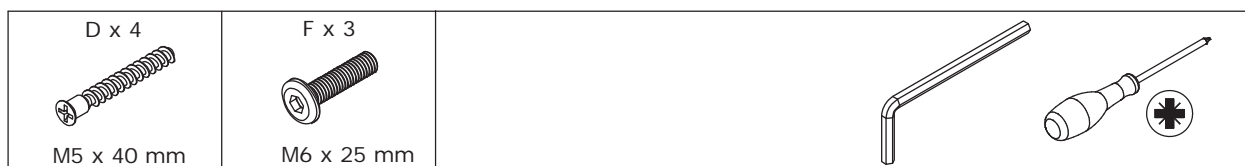
Attach board 31 to board 34 and 35, add cam lock(B) into and turn clockwise to tighten as shown.  
Rotate rod 14 into board 31 as shown.

36

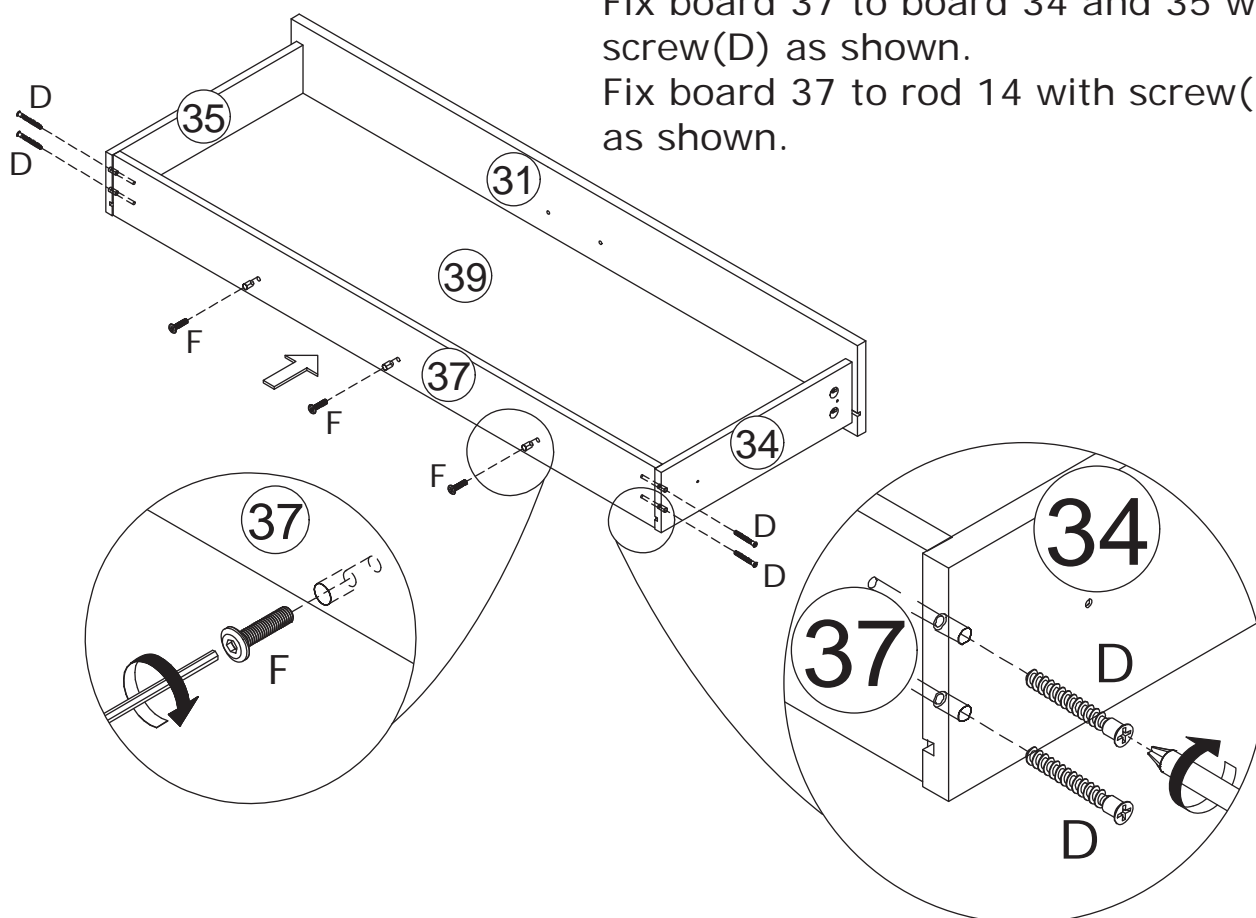
Insert bottom board 39 along available grooves as shown.



37

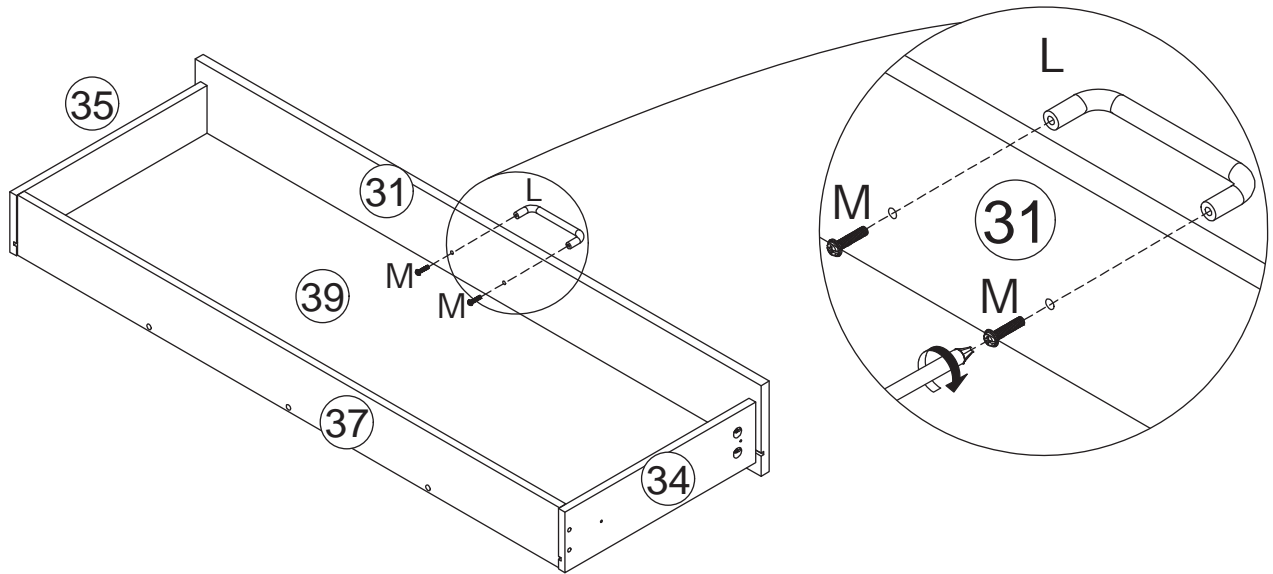
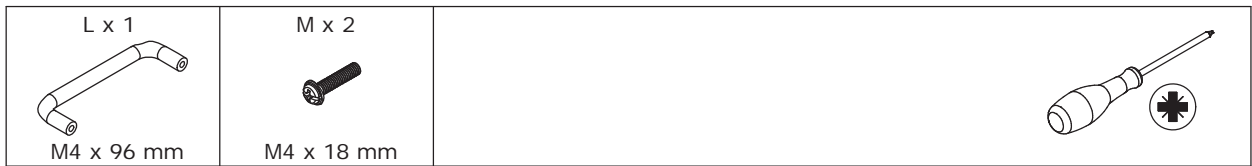


Fix board 37 to board 34 and 35 with screw (D) as shown.  
Fix board 37 to rod 14 with screw (F) as shown.



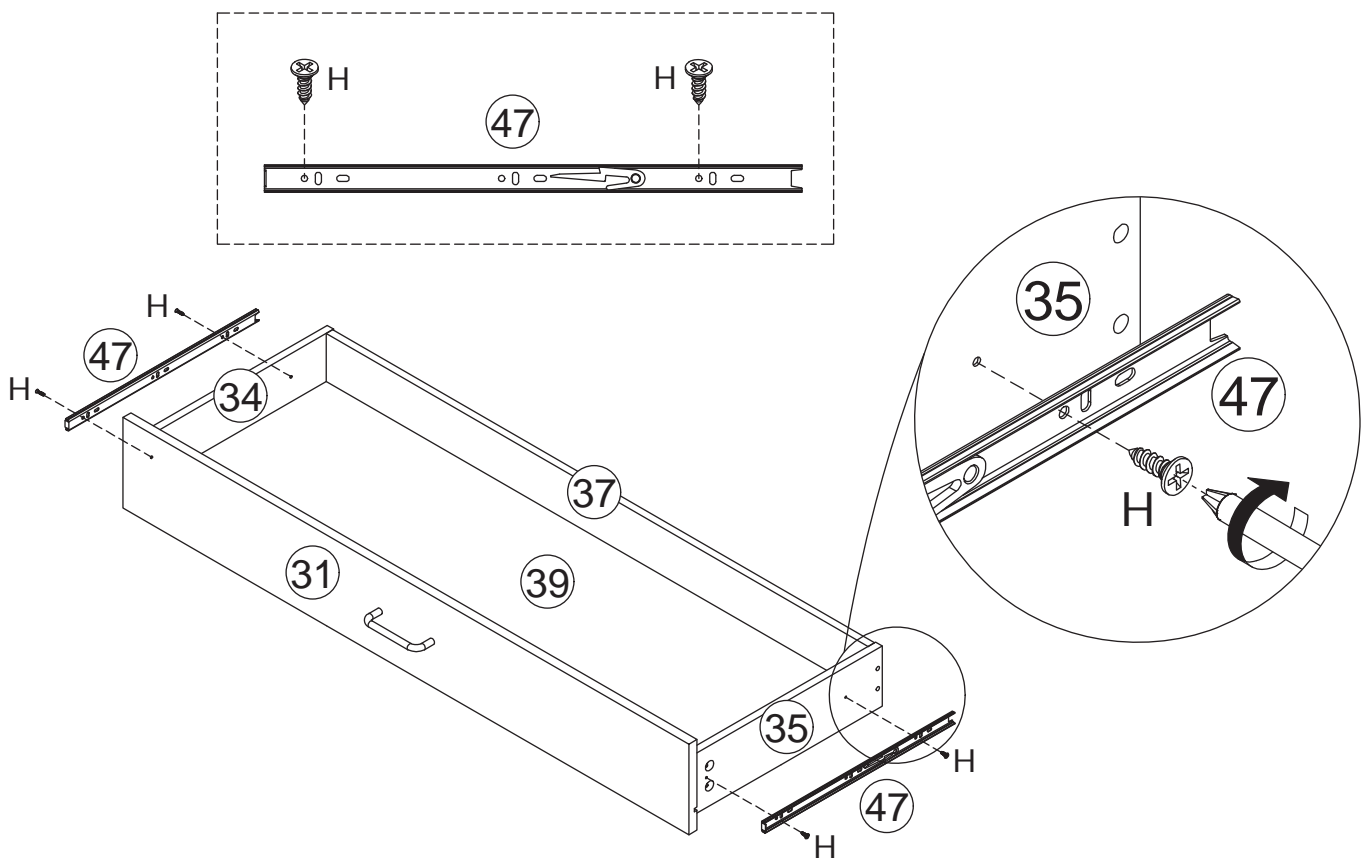


38



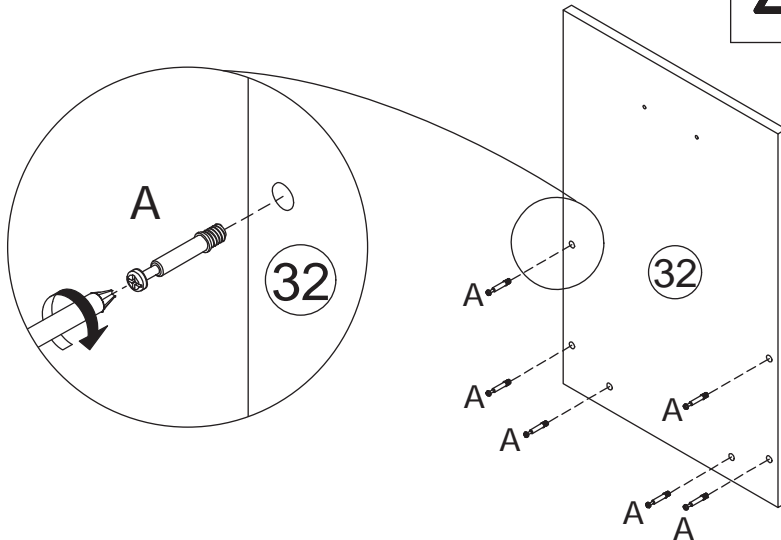
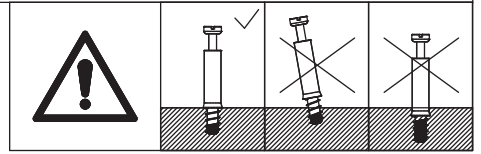
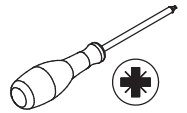
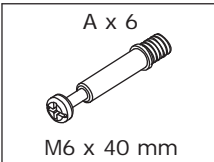
Fix handle(L) to board 31 with screw(M) as shown.

39



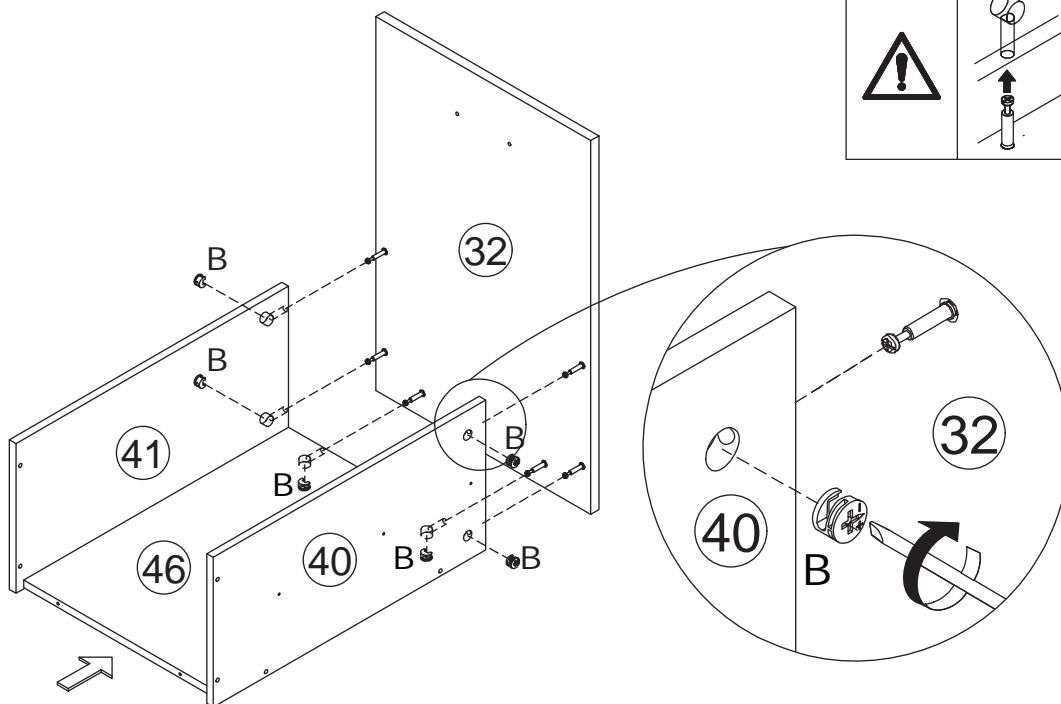
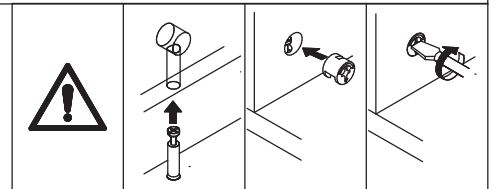
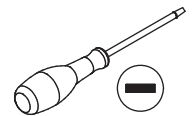
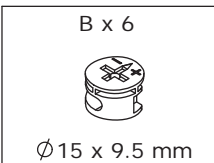
Fix runner 47 to board 34 and 35 with screw(H) as shown.

40



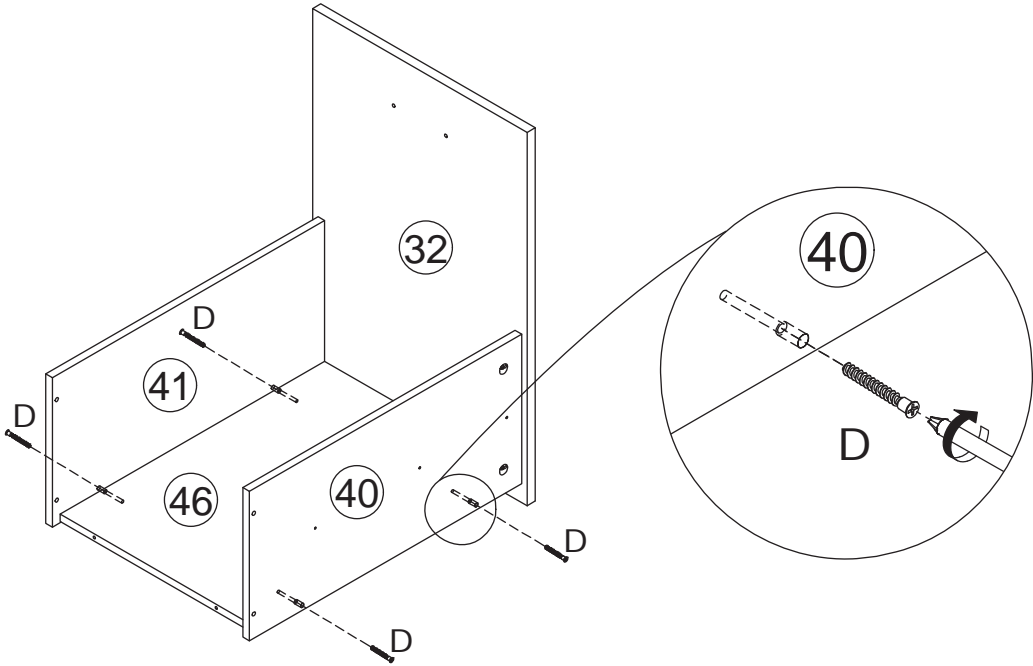
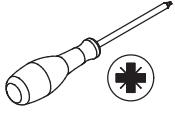
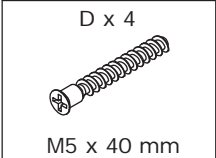
Screw eccentric rod(A) into board 32 as shown.

41



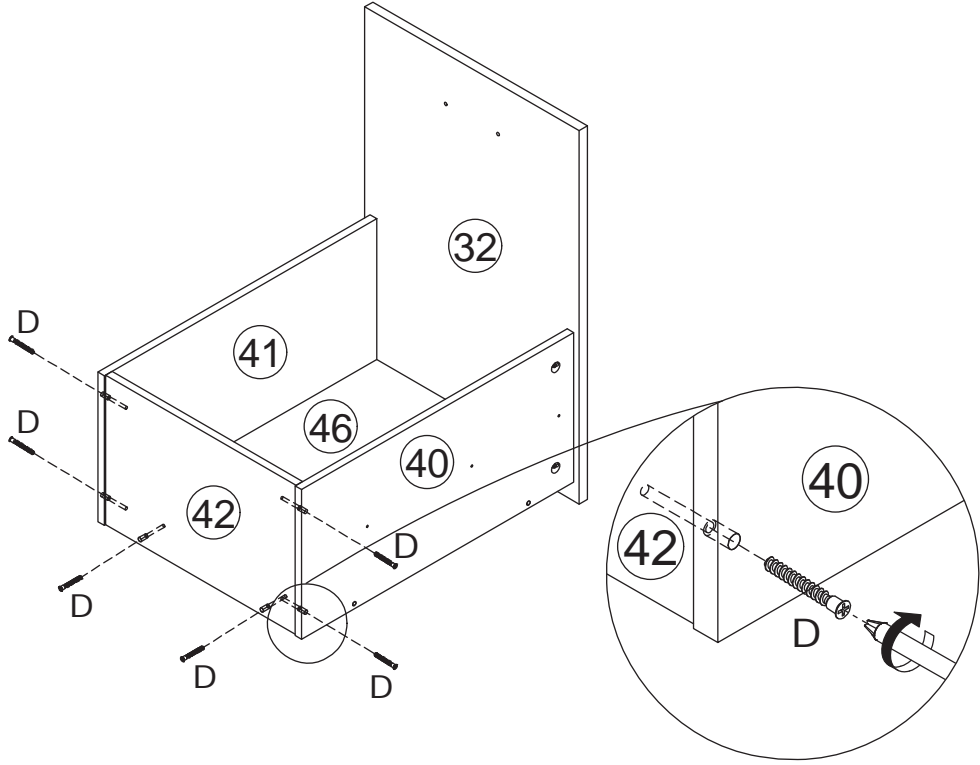
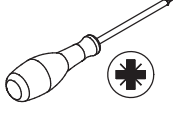
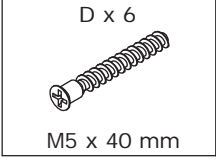
Attach board 32 to board 40, 46 and 41, add cam lock(B) into and turn clockwise to tighten as shown.

42



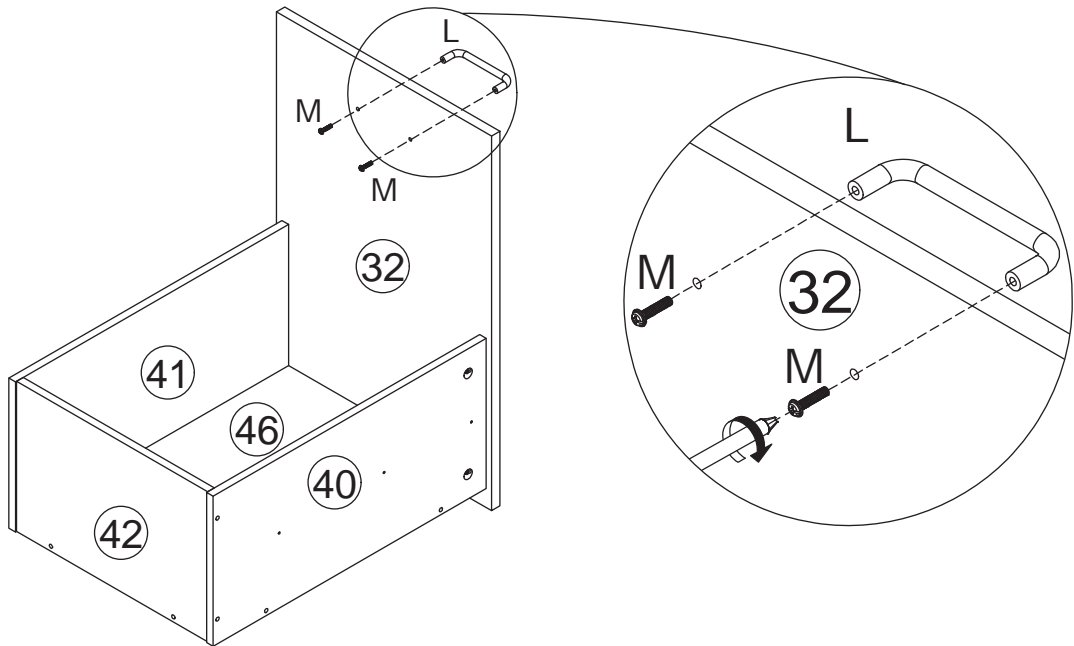
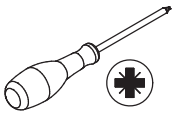
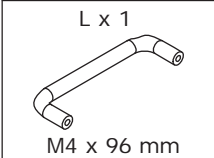
Fix board 46 to board 40 and 41 with screw(D) as shown.

43



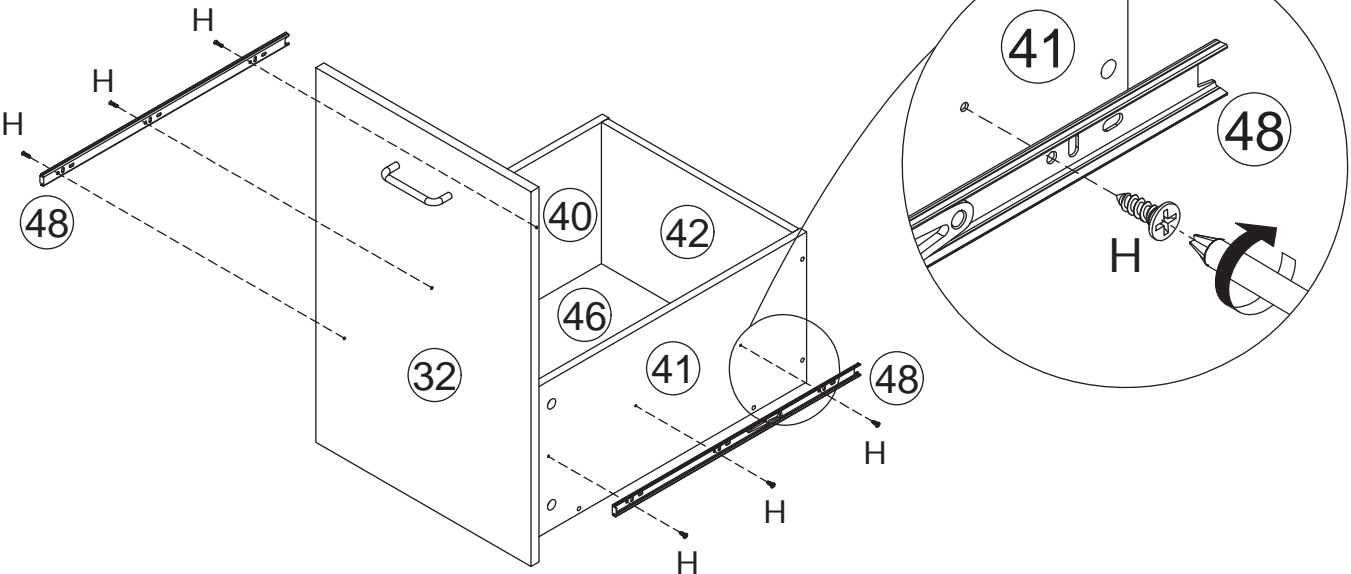
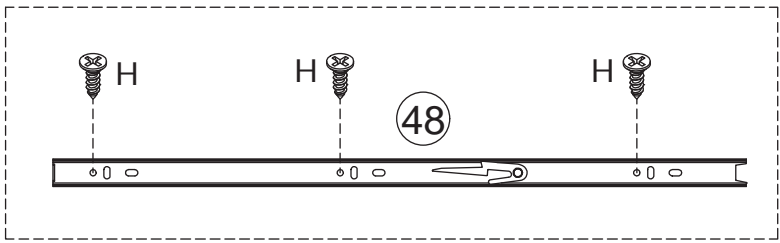
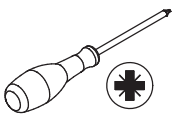
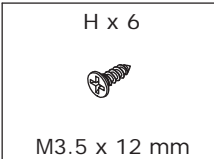
Fix board 42 to board 40, 46 and 41 with screw(D) as shown.

44



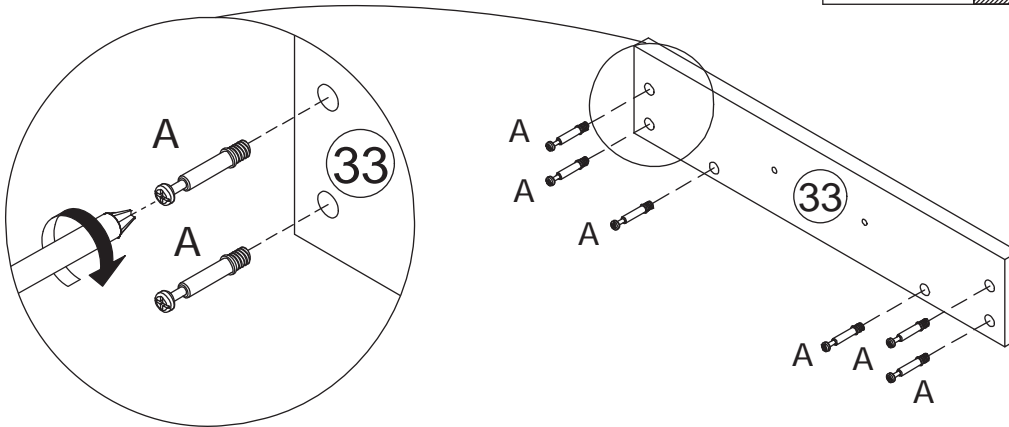
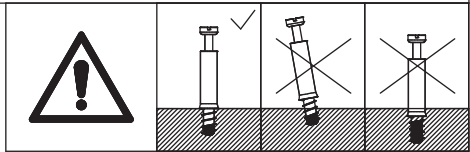
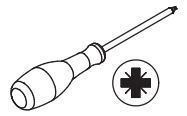
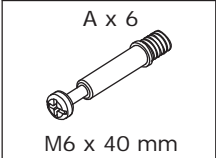
Fix handle(L) to board 32 with screw(M) as shown.

45



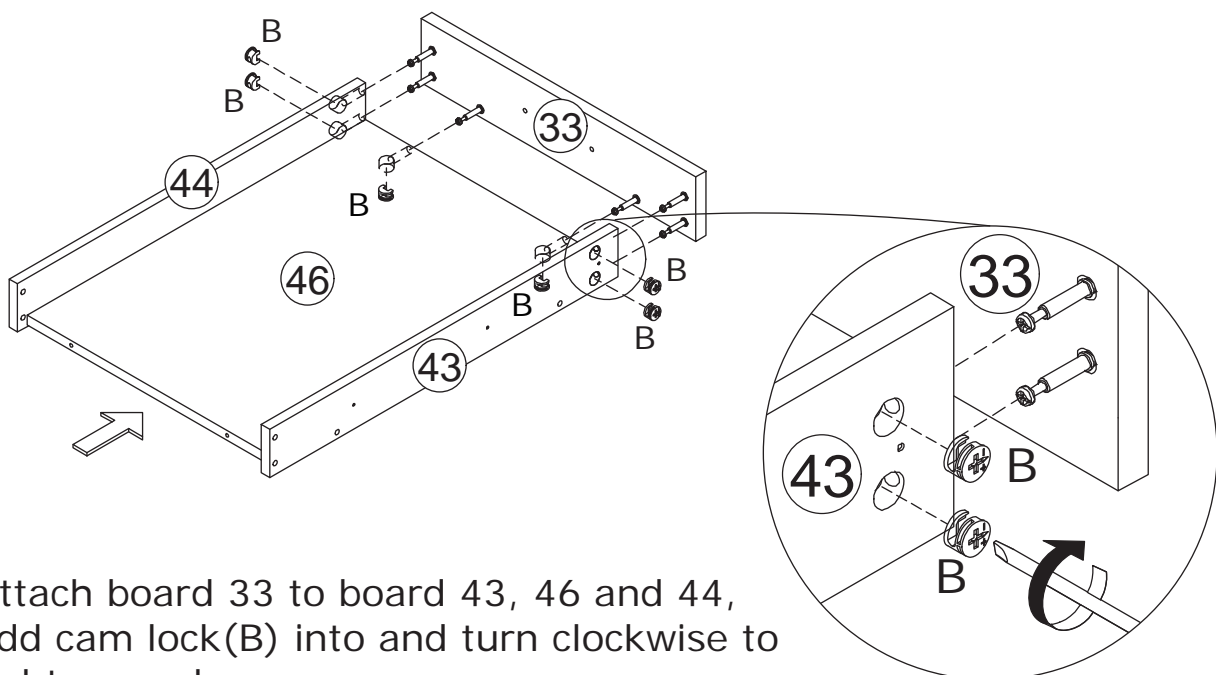
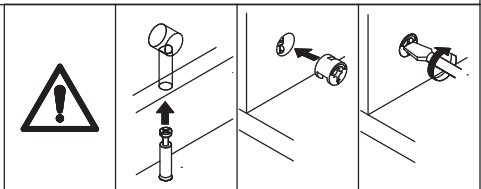
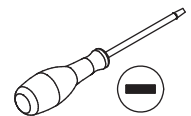
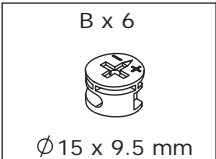
Fix runner 48 to board 40 and 41 with screw(H) as shown.

46



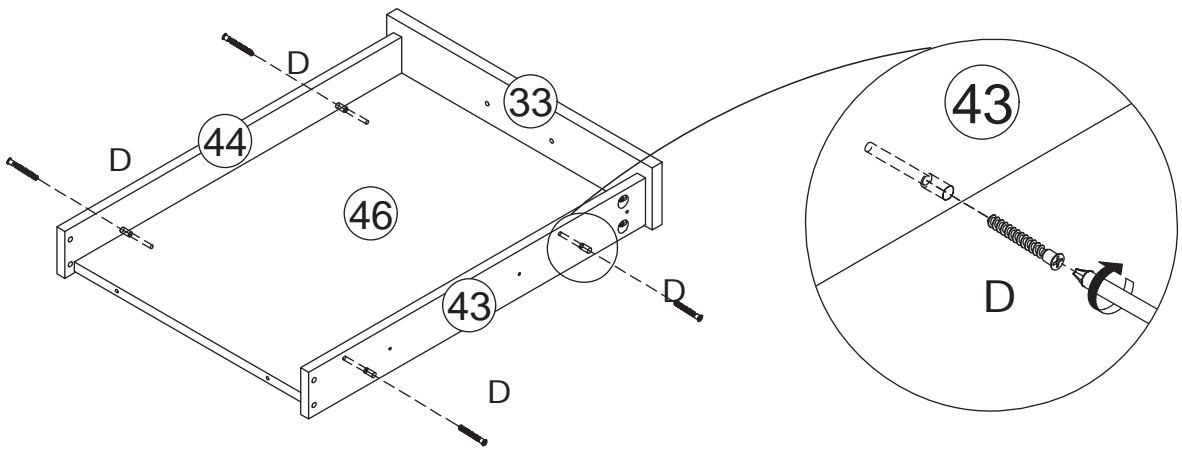
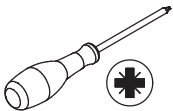
Screw eccentric rod(A) into board 33 as shown.

47



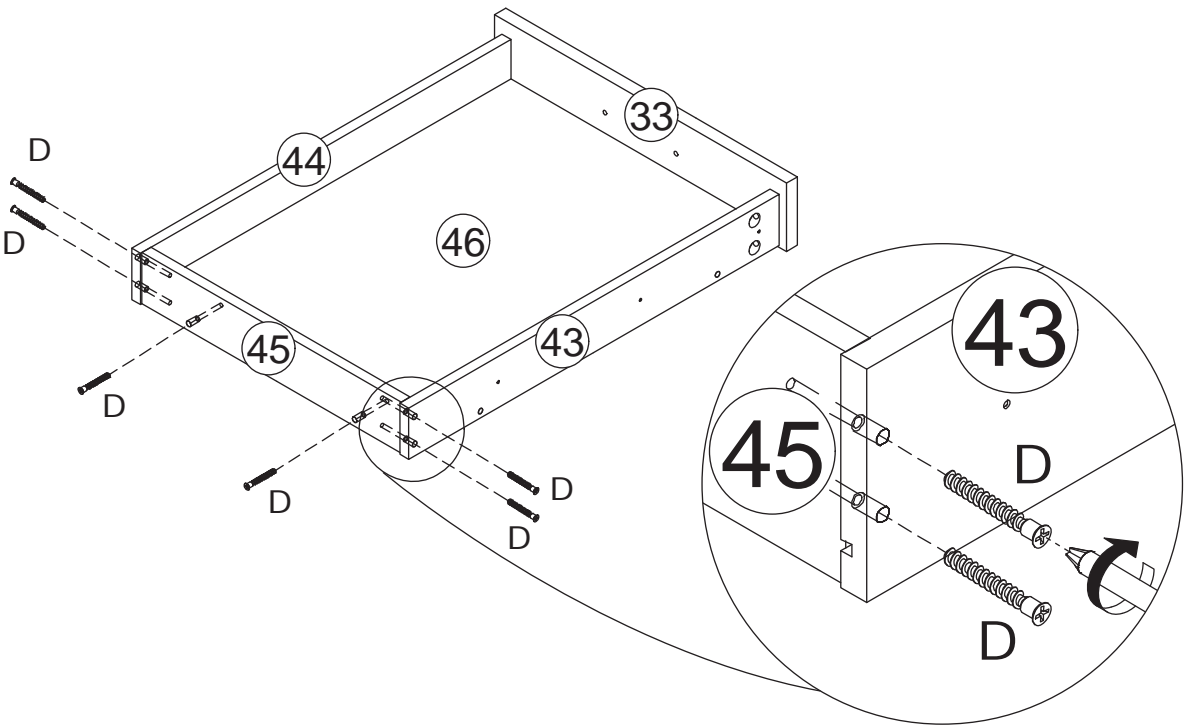
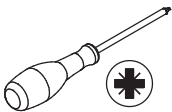
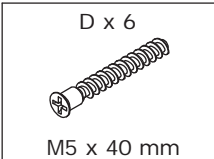
Attach board 33 to board 43, 46 and 44, add cam lock(B) into and turn clockwise to tighten as shown.

48



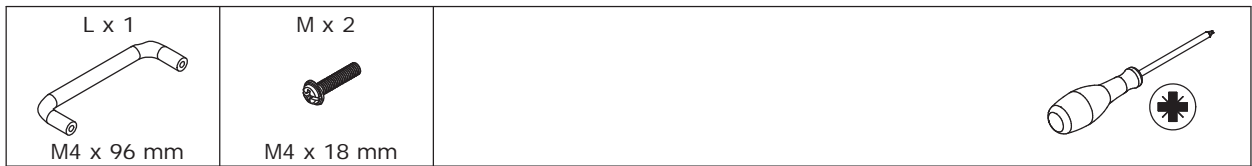
Fix board 46 to board 43 and 44 with screw(D) as shown.

49

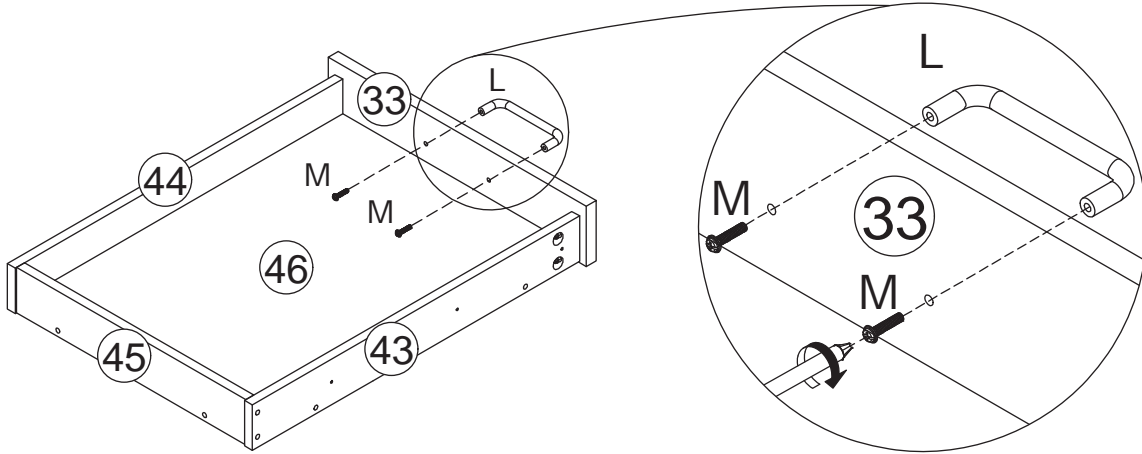


Fix board 45 to board 43, 46 and 44 with screw(D) as shown.

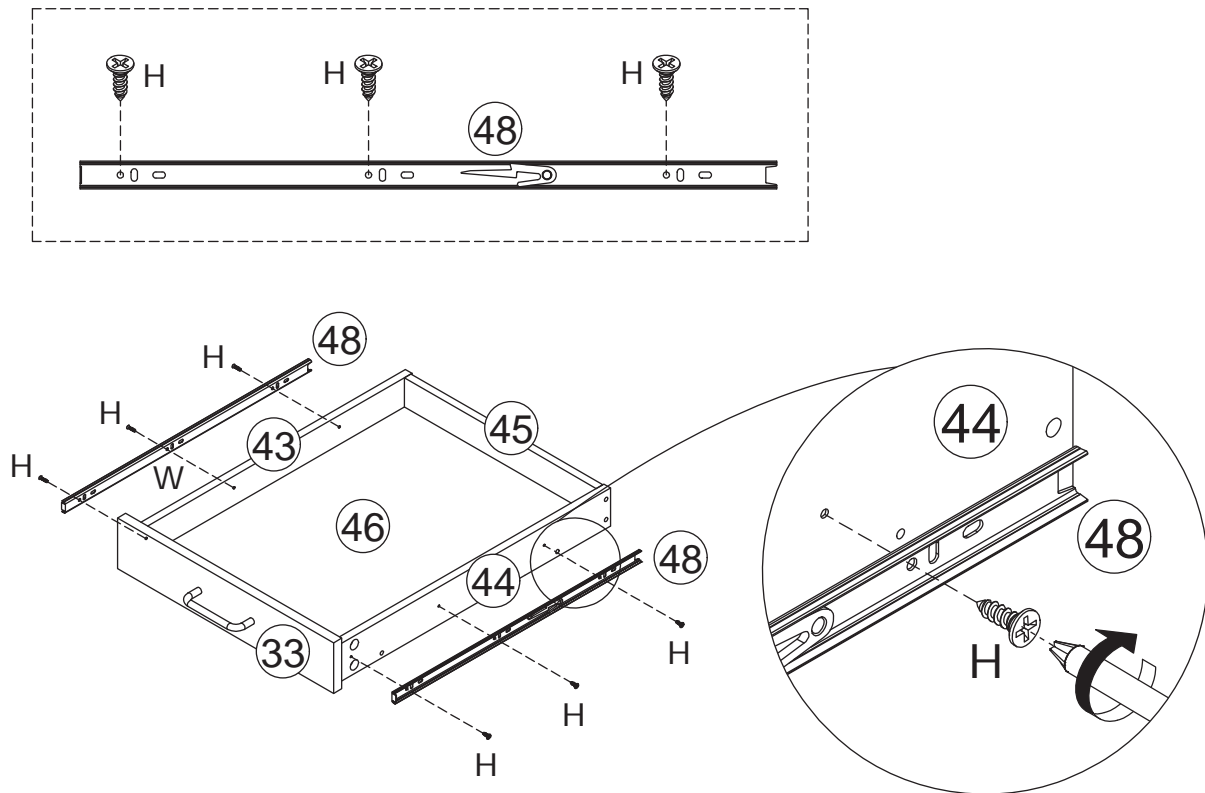
50



Fix handle(L) to board 33 with screw(M) as shown.



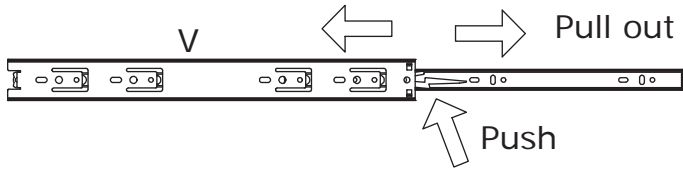
51



Fix runner 48 to board 43 and 44 with screw(H) as shown.

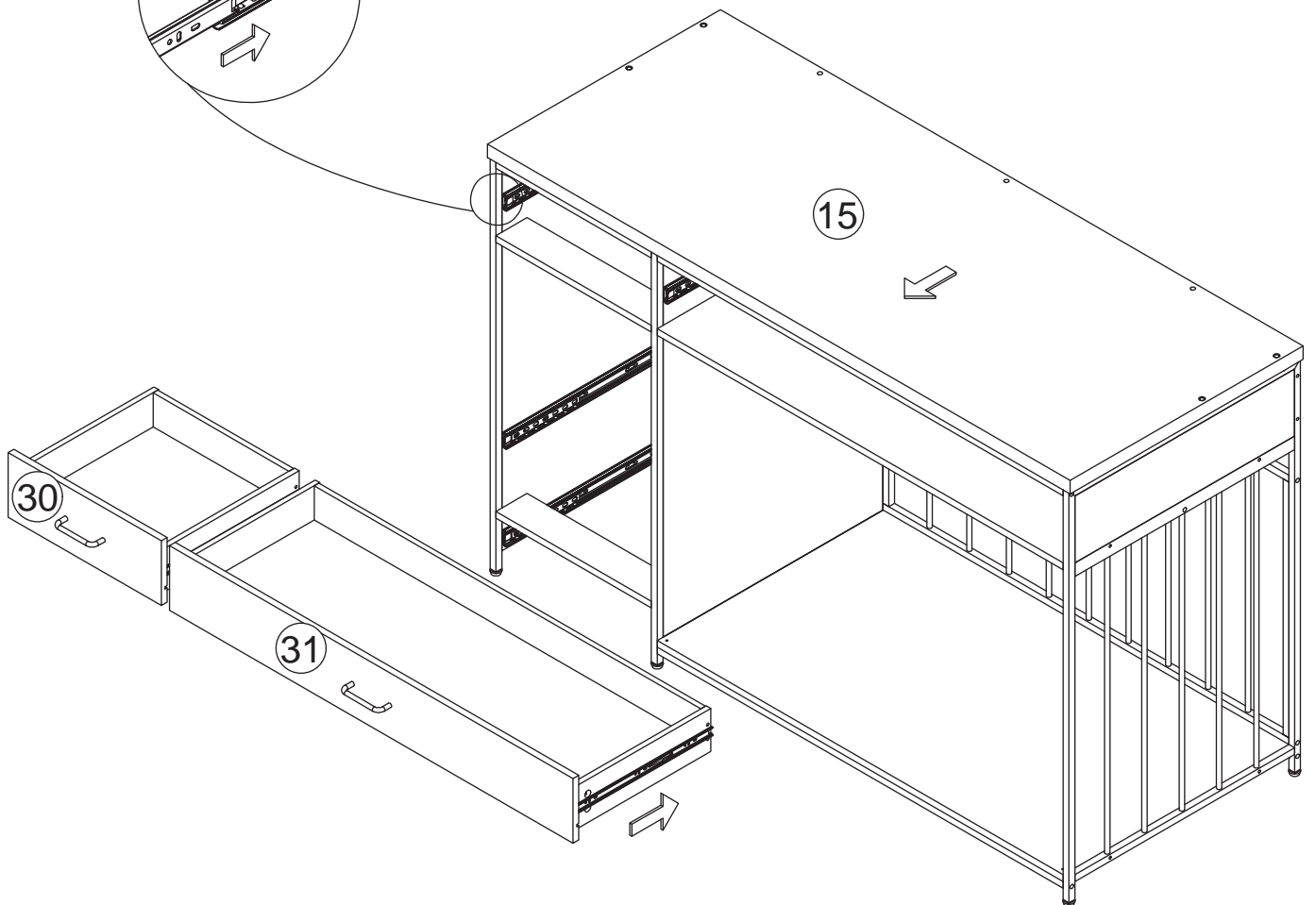
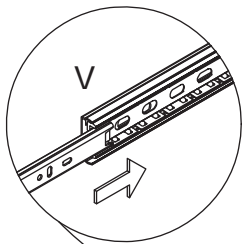
# 52

Align rails, slide drawers in.



Disconnect the keyboard rail with the BLACK PLASTIC PART. It needs to be pulled down to disconnect the runners.

Move the movable iron piece with the small iron ball to the front and align the mounting rail.

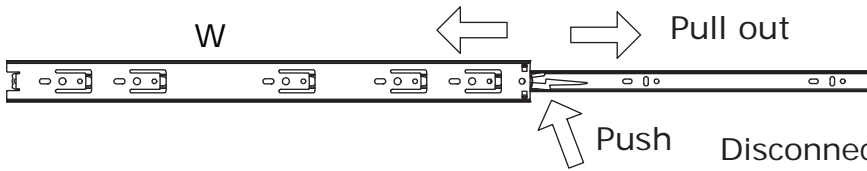




53

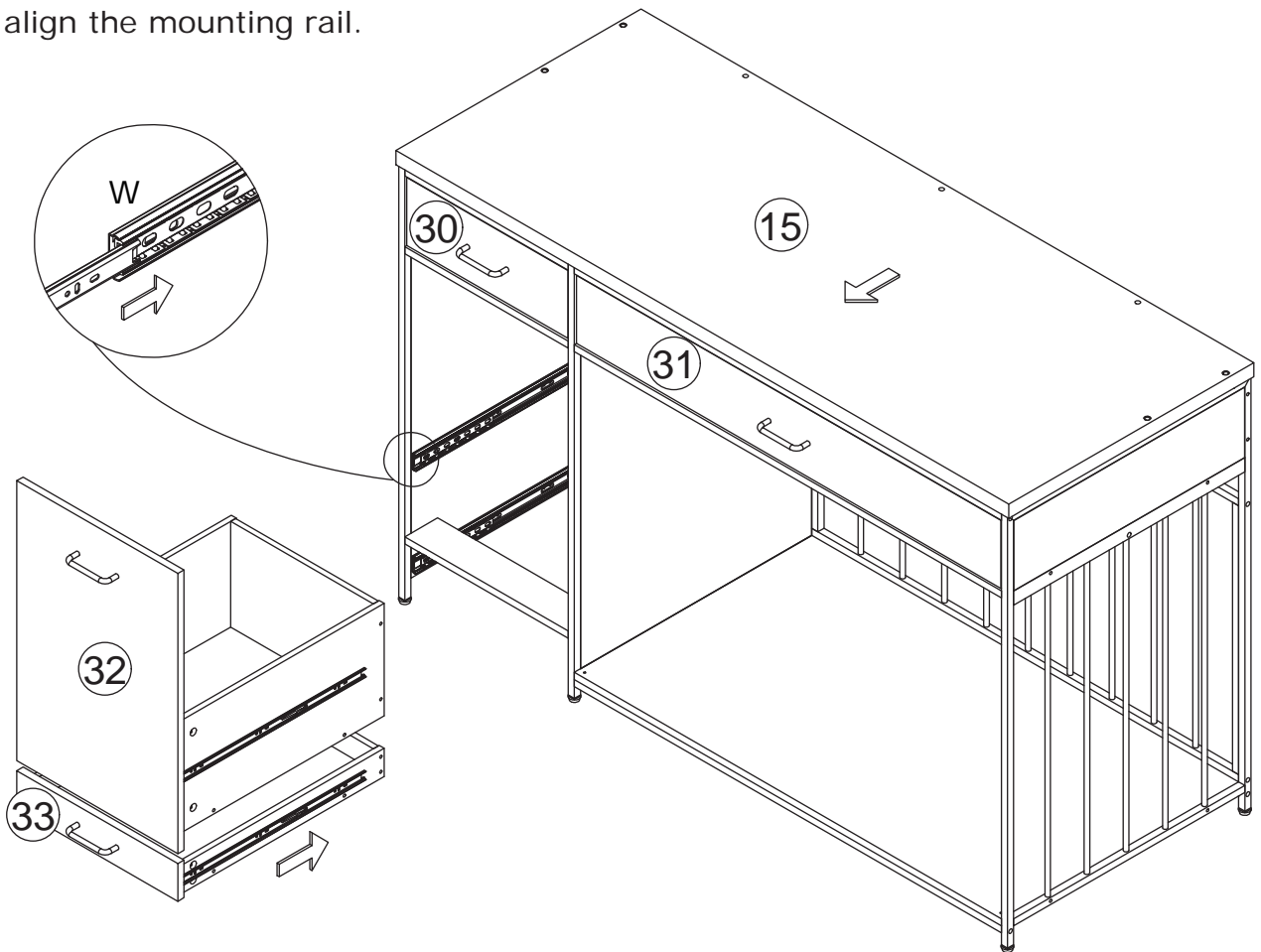


Align rails, slide drawers in.



Disconnect the keyboard rail with the BLACK PLASTIC PART. It needs to be pulled down to disconnect the runners.

Move the movable iron piece with the small iron ball to the front and align the mounting rail.

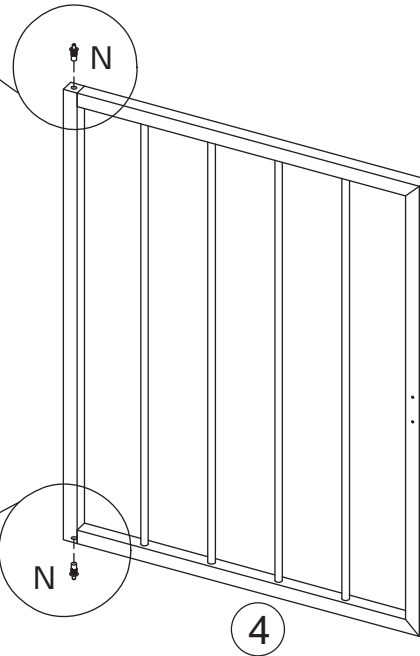
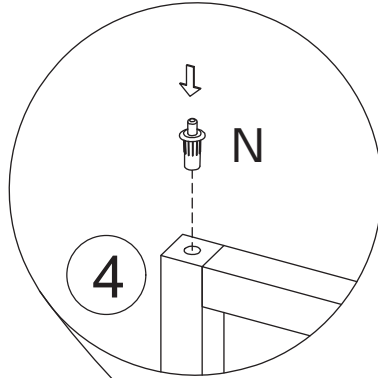


54

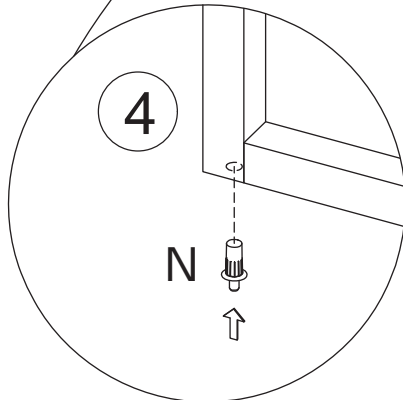
N x 4



Insert part(N) into metal door 4 at first.

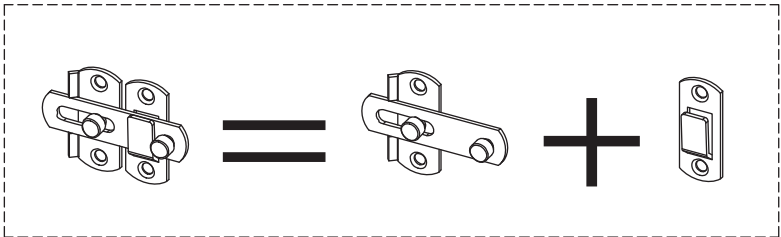


X2

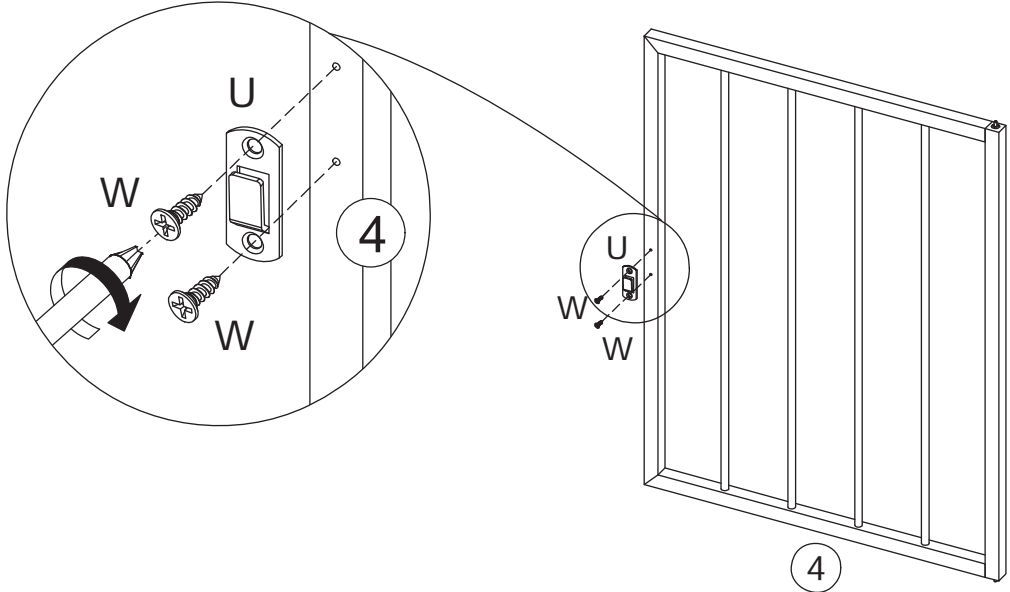
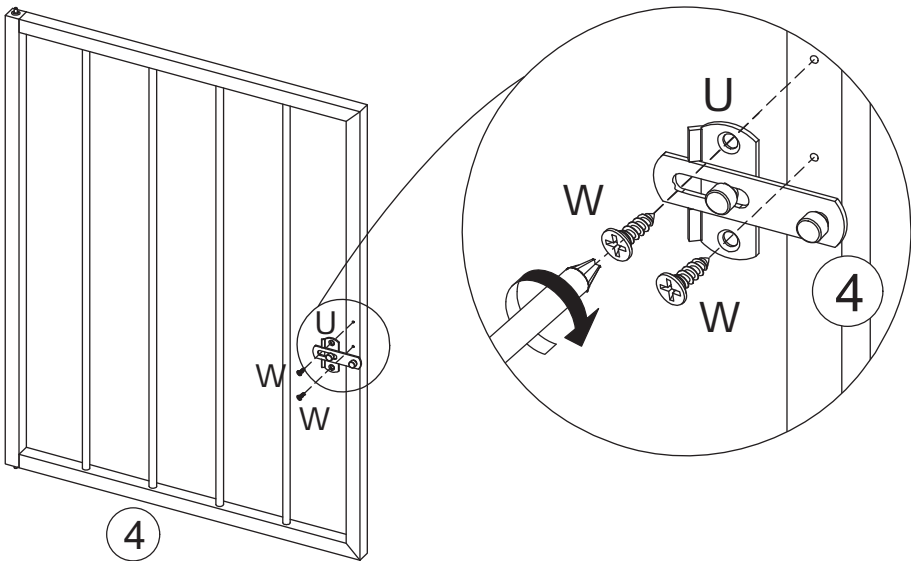


55

<p>W x 4</p>  <p>M4 x 10 mm</p>	<p>U x 1</p> 	
--	--	---



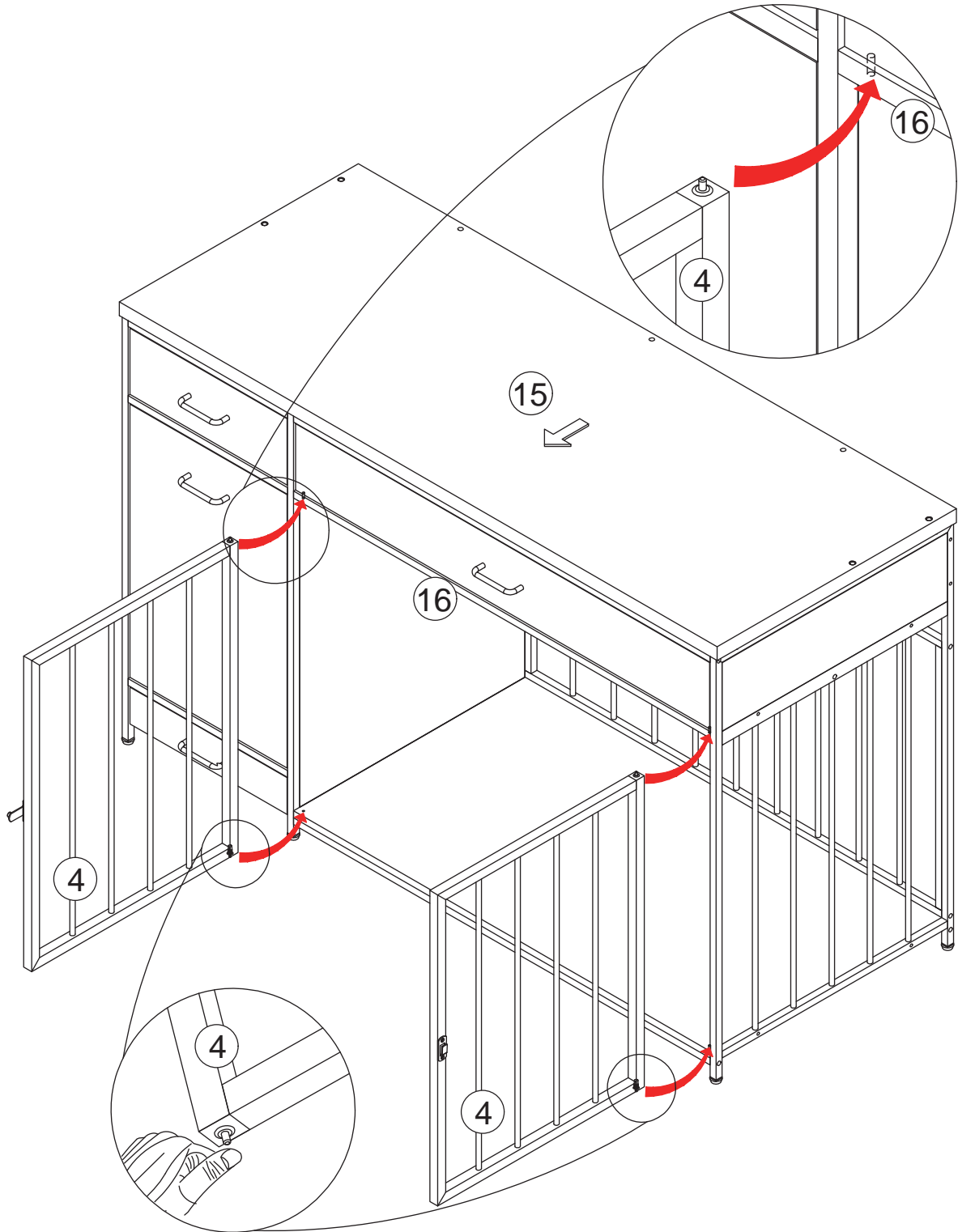
Fix part(U) to metal door 4 with screw(W) as shown.



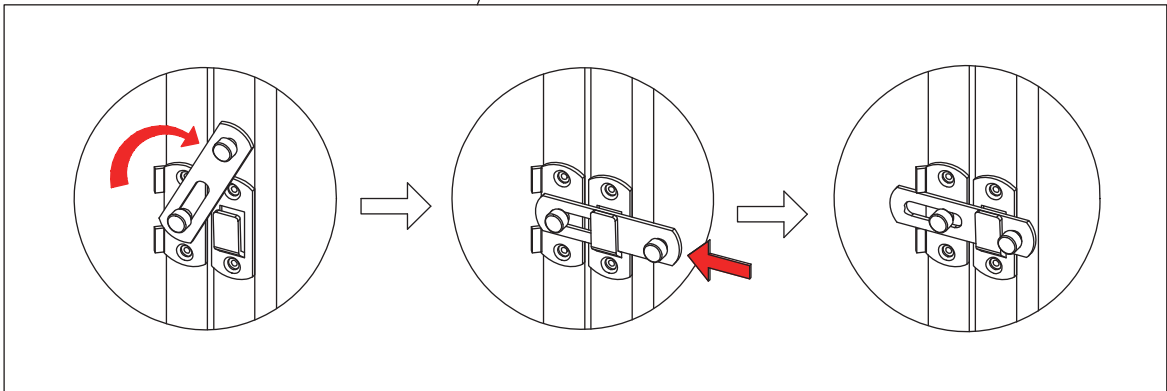
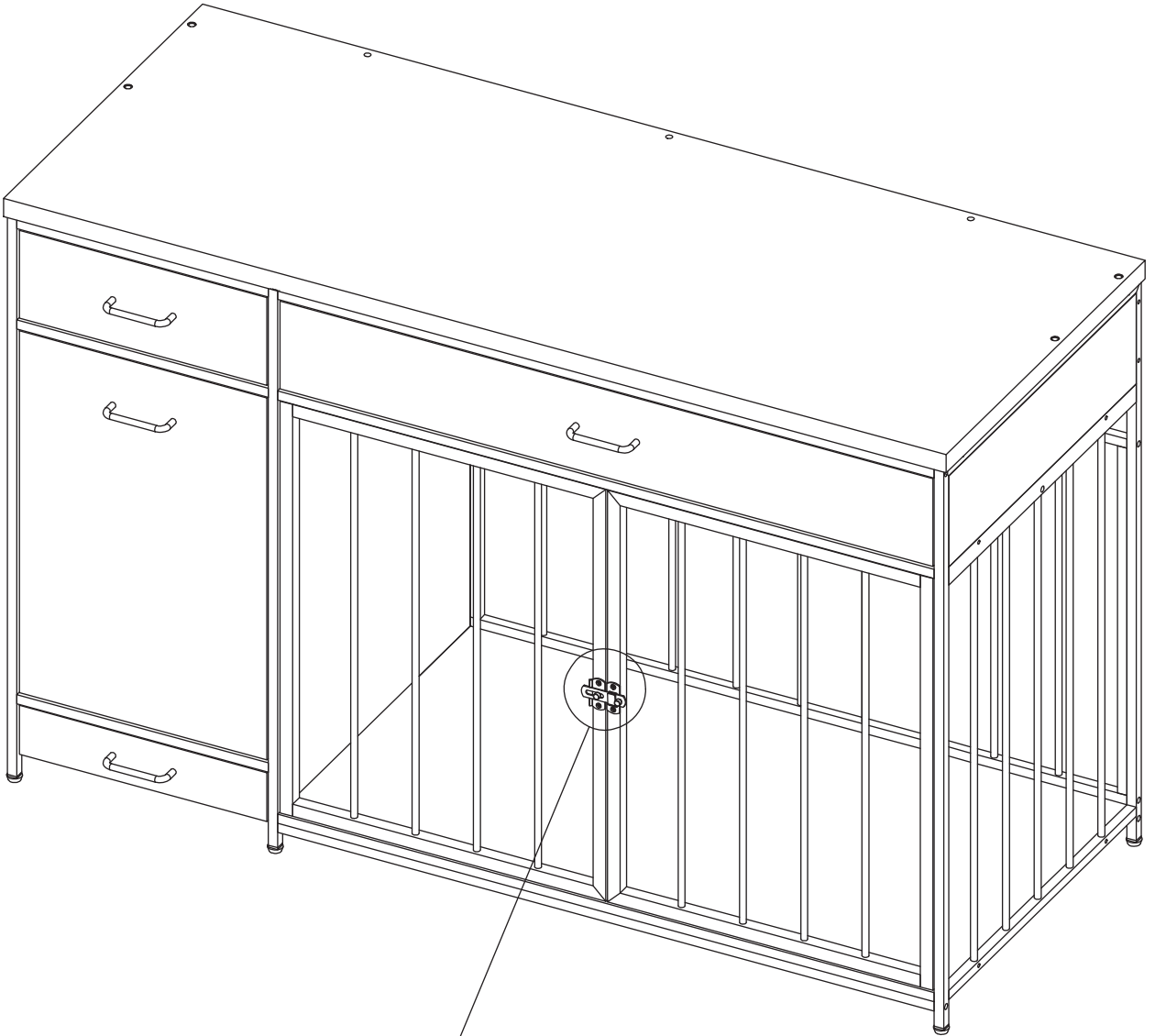
56



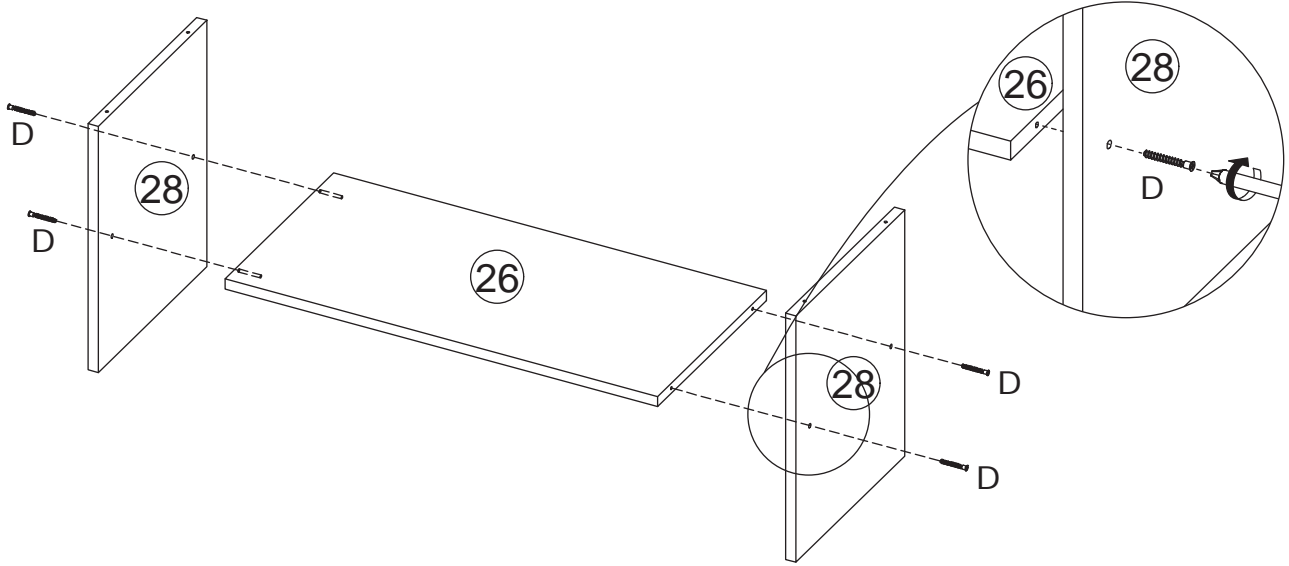
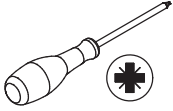
Assemble door 4 to the cabinet.



57

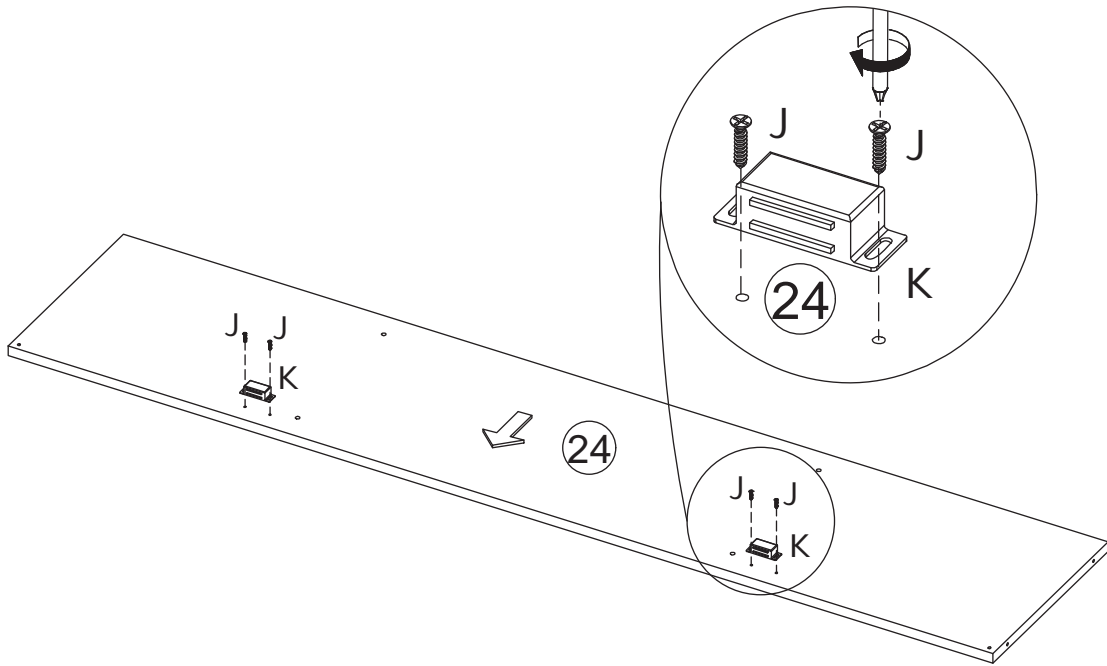
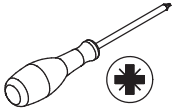
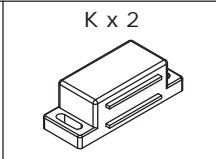
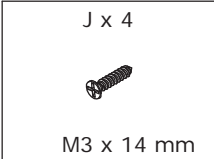


58



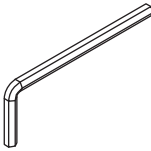
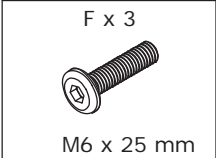
Fix board 28 to board 26 with screw(D) as shown.

59

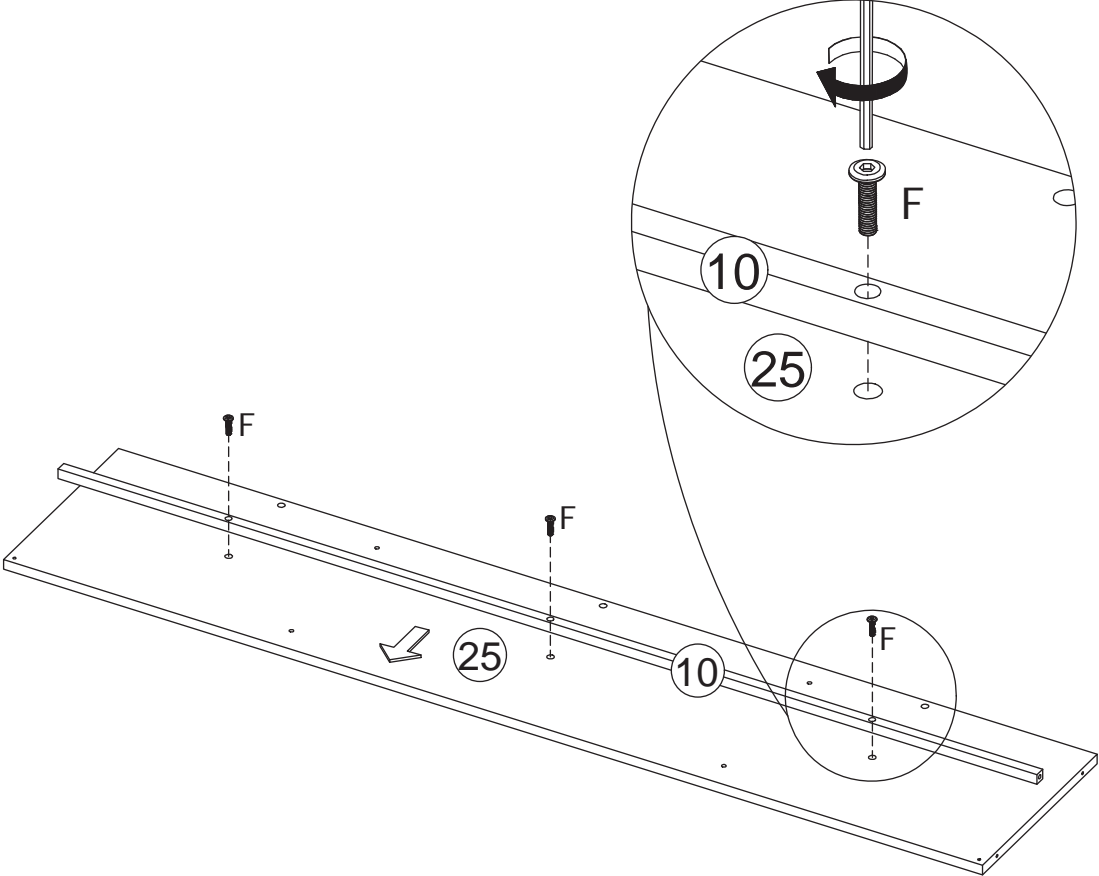


Fix part(K) to board 24 with screw(J) as shown.

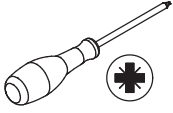
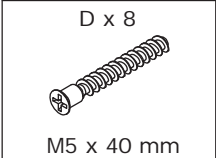
60



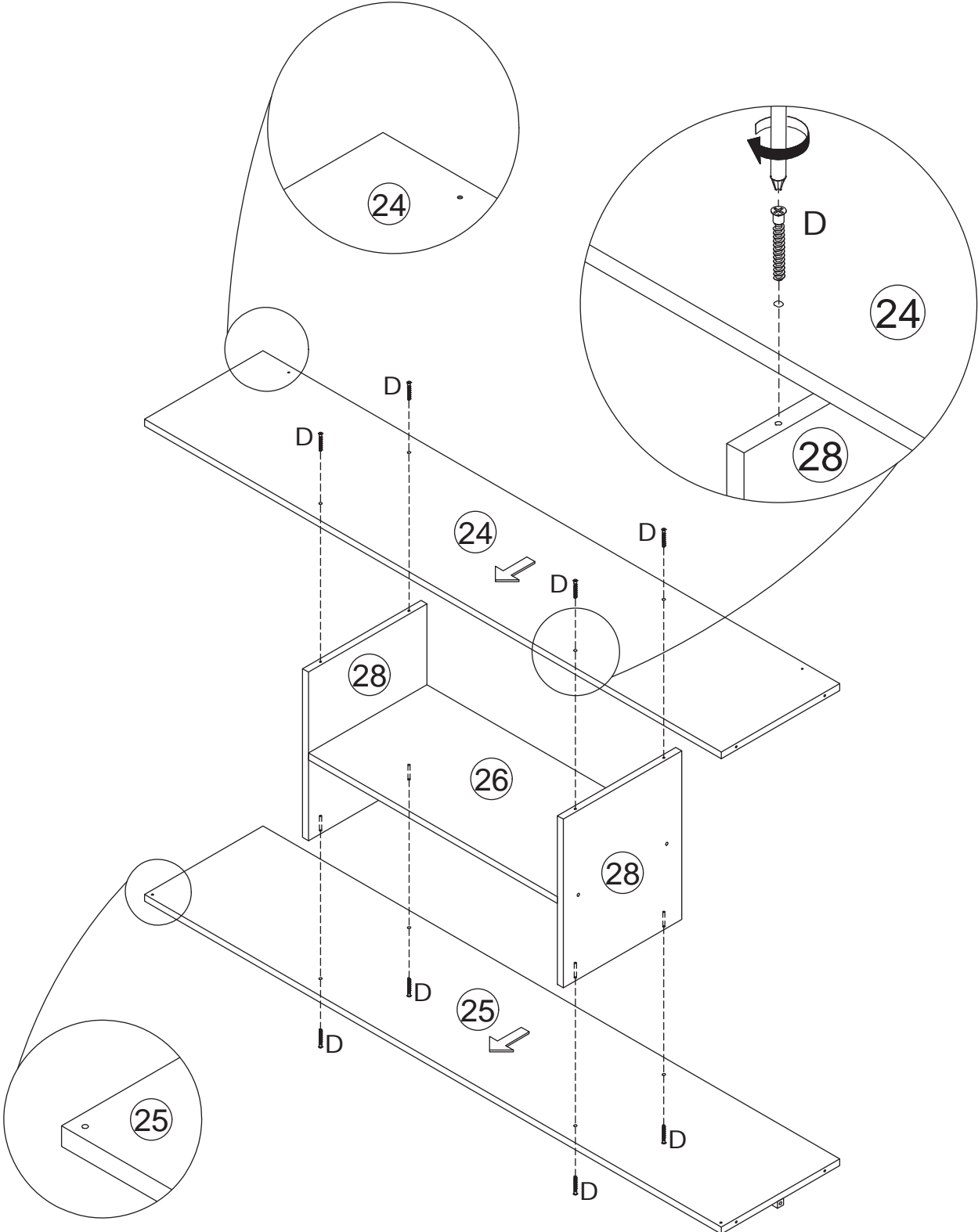
Fix steel tube 10 to board 25 with screw(F) as shown.



61

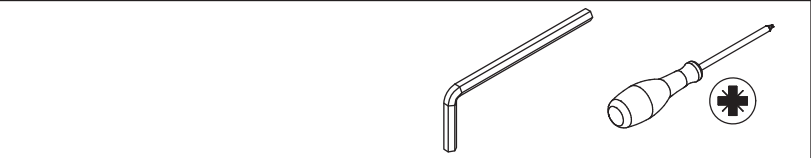
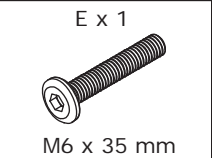
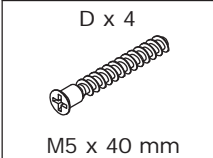


Fix board 28 to board 24 and 25 with screw(D) as shown.

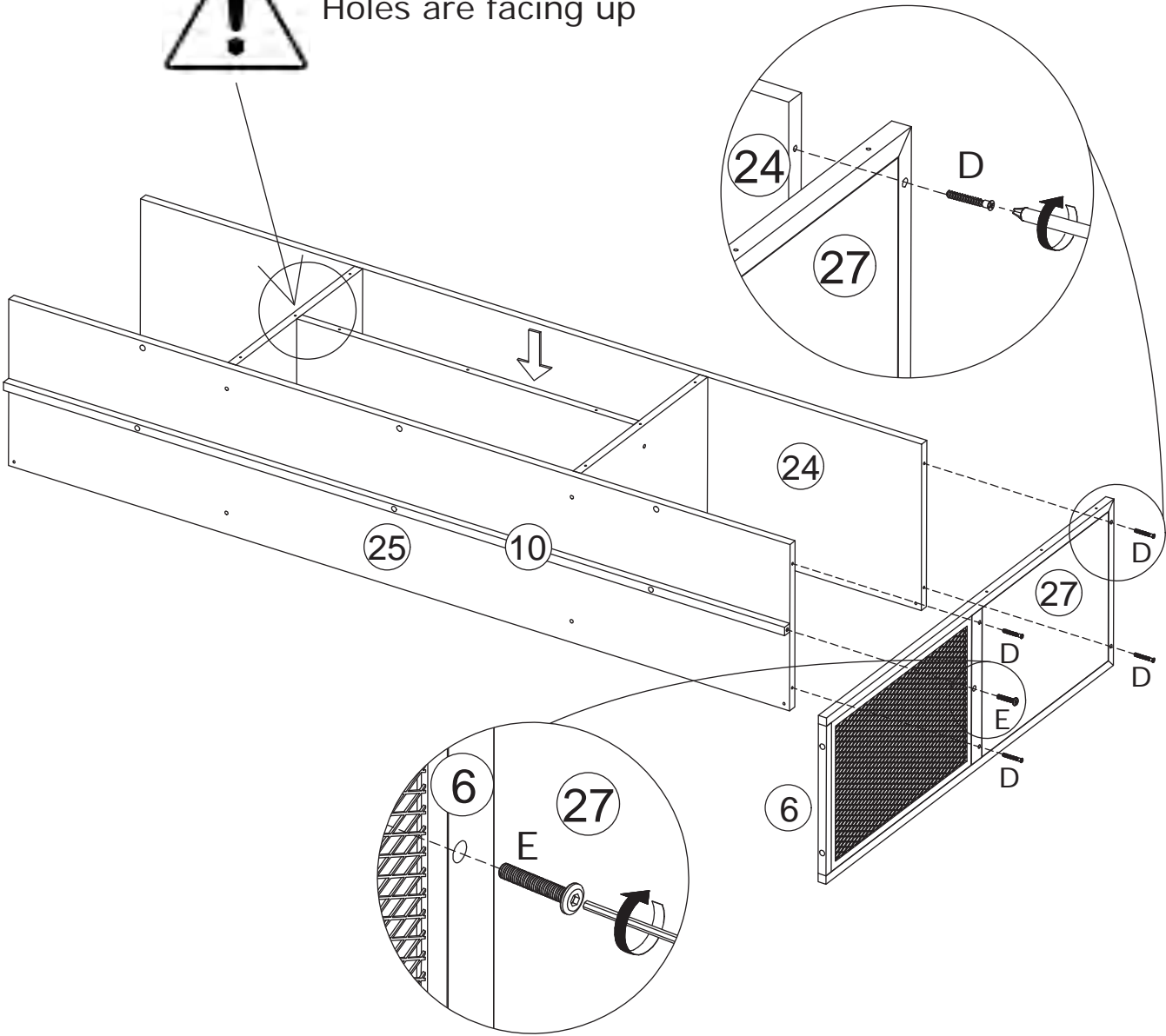




62

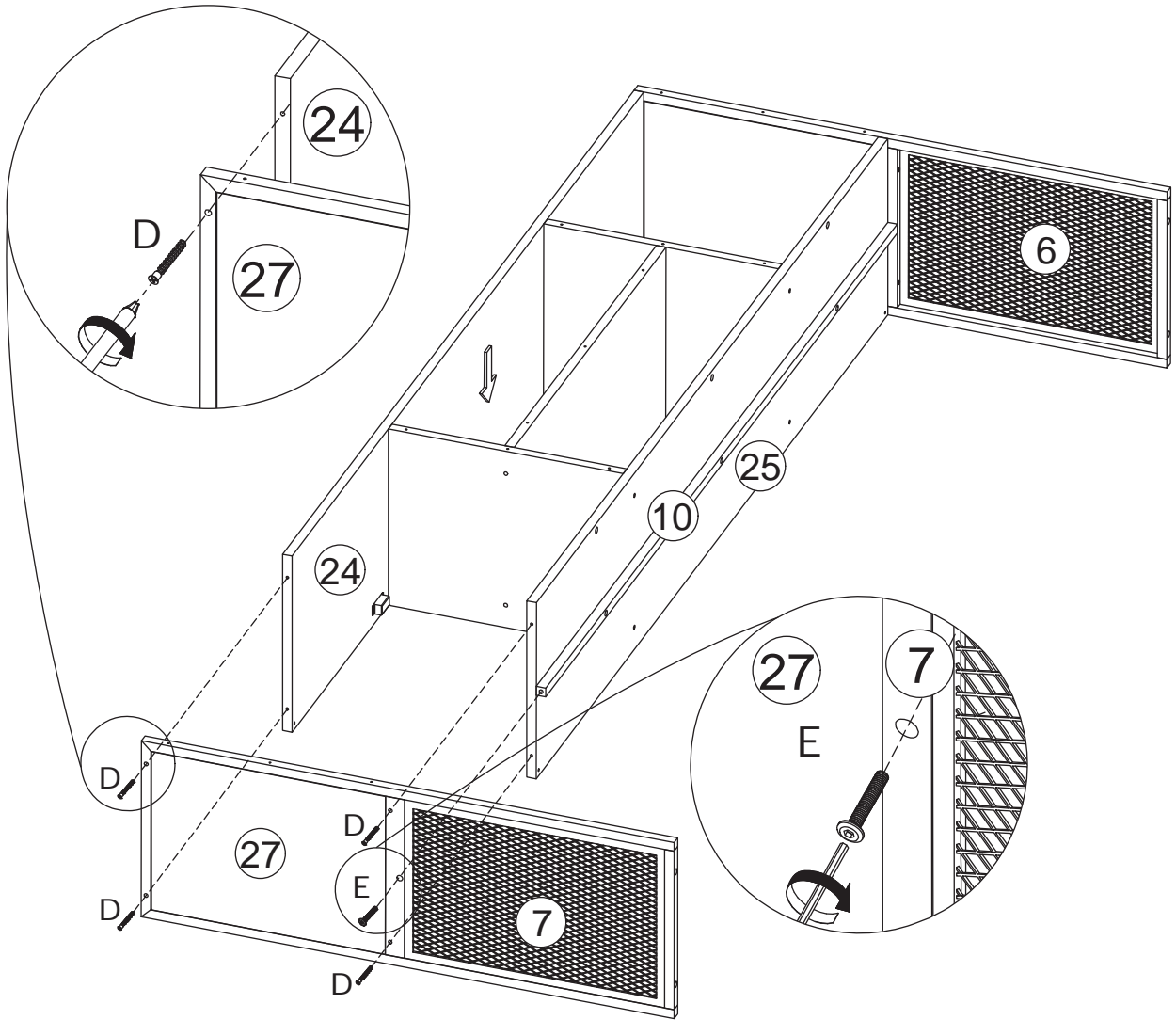
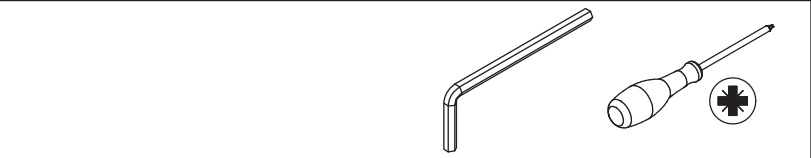


Holes are facing up



Fix board 24 and 25 to metal frame 6 with screw(D) as shown.  
Fix tube steel 10 to metal frame 6 with screw(E) as shown.

63



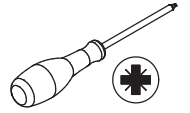
Fix board 24 and 25 to metal frame 7 with screw(D) as shown.  
Fix tube steel 10 to metal frame 7 with screw(E) as shown.

64

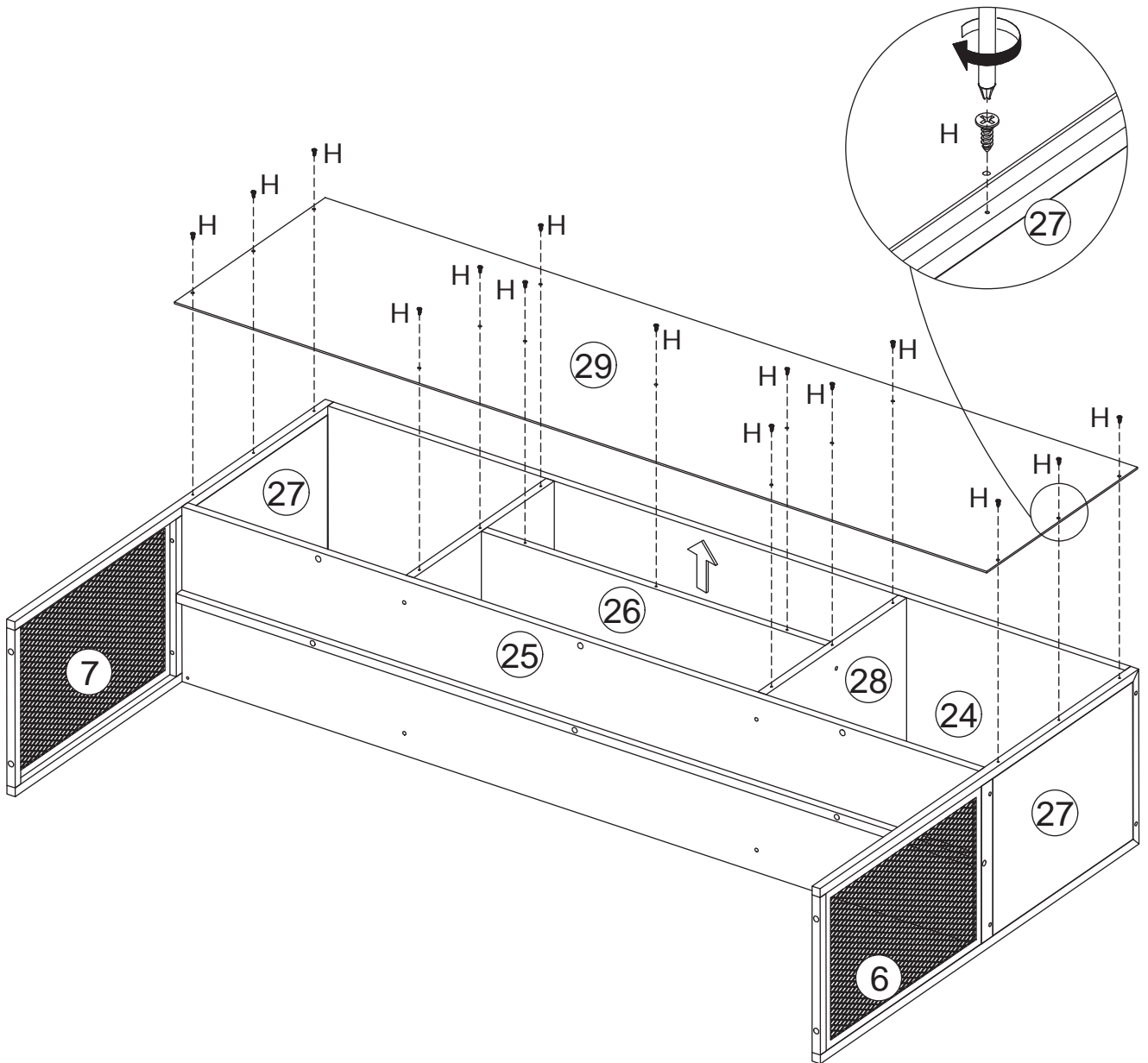
H x 15



M3.5 x 12 mm



Fix back board 29 with screw(H) as shown.

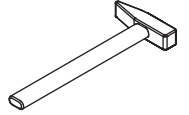


65

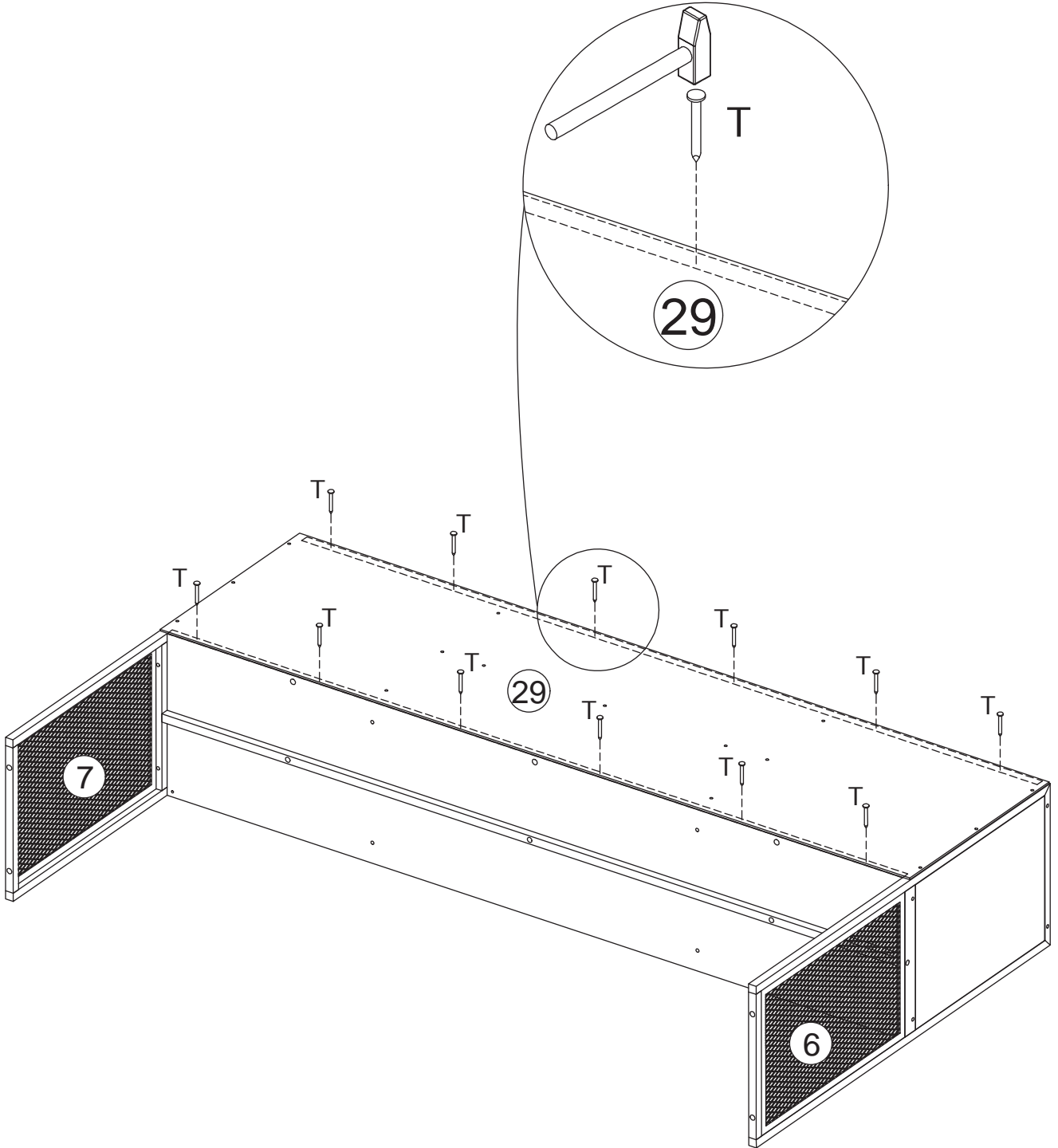
T x 12



Ø2 x 18 mm



Reinforce back board to cabinet with nail(T) as shown.

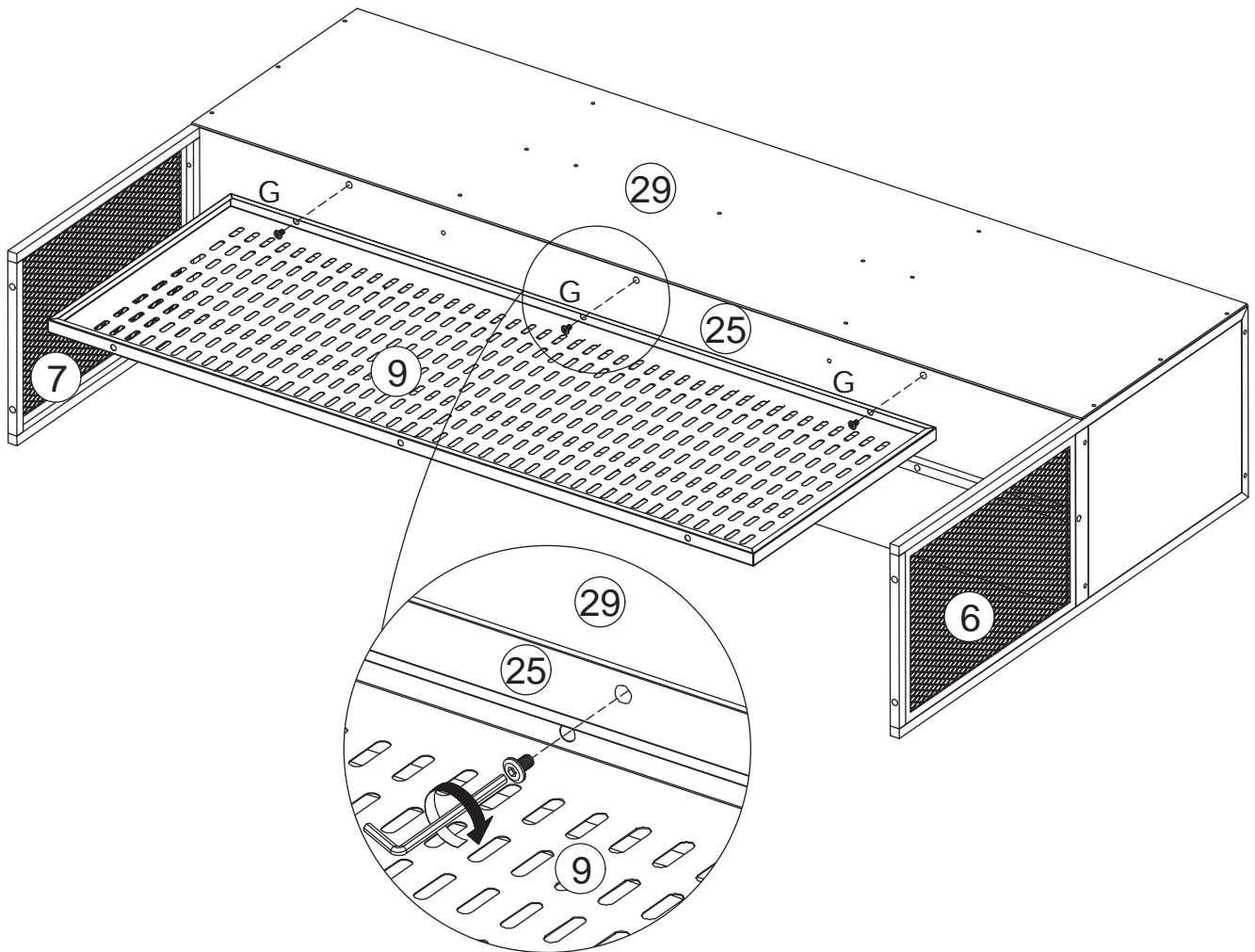
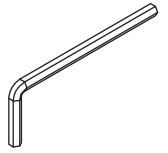


66

G x 3

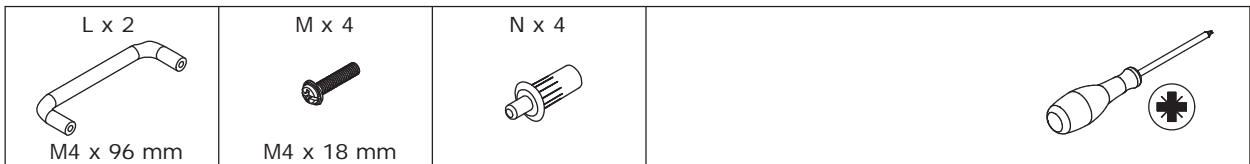


M6 x 10 mm

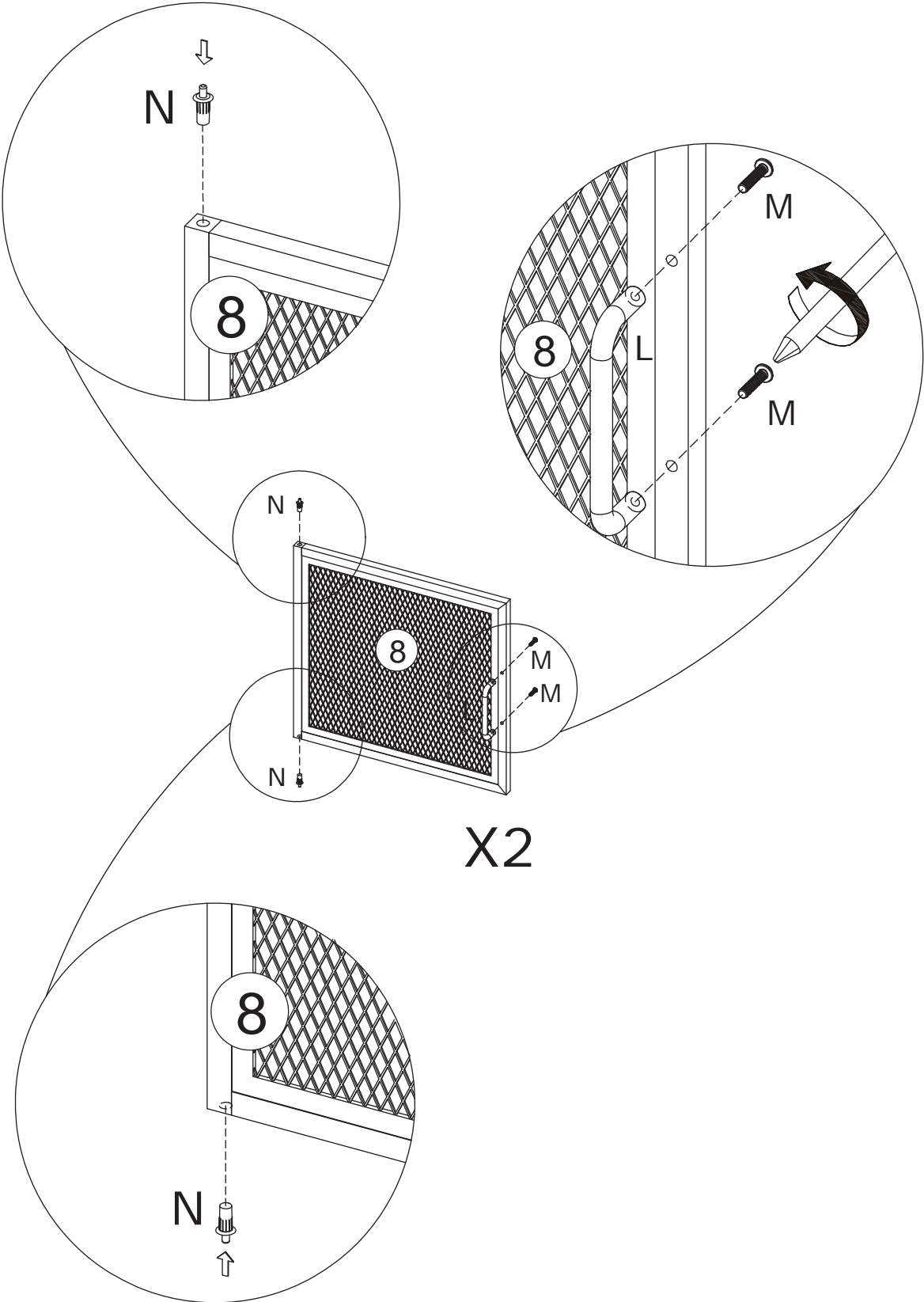


Fix metal mesh 9 to board 25 with screw(G) as shown.

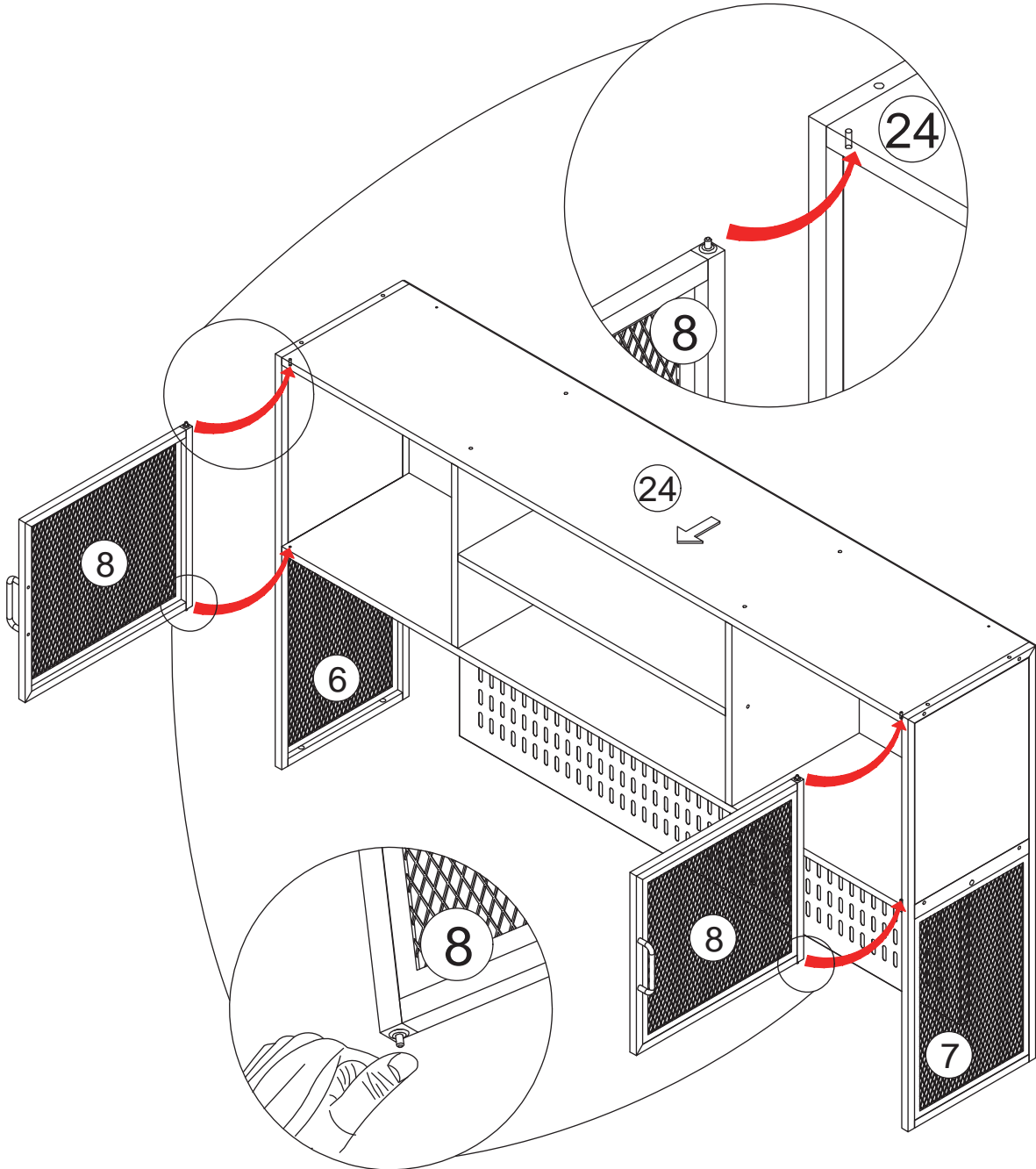
67



Insert part(N) into metal door 8 at first.  
Fix handle(L) to board 8 with screw(M) as shown.

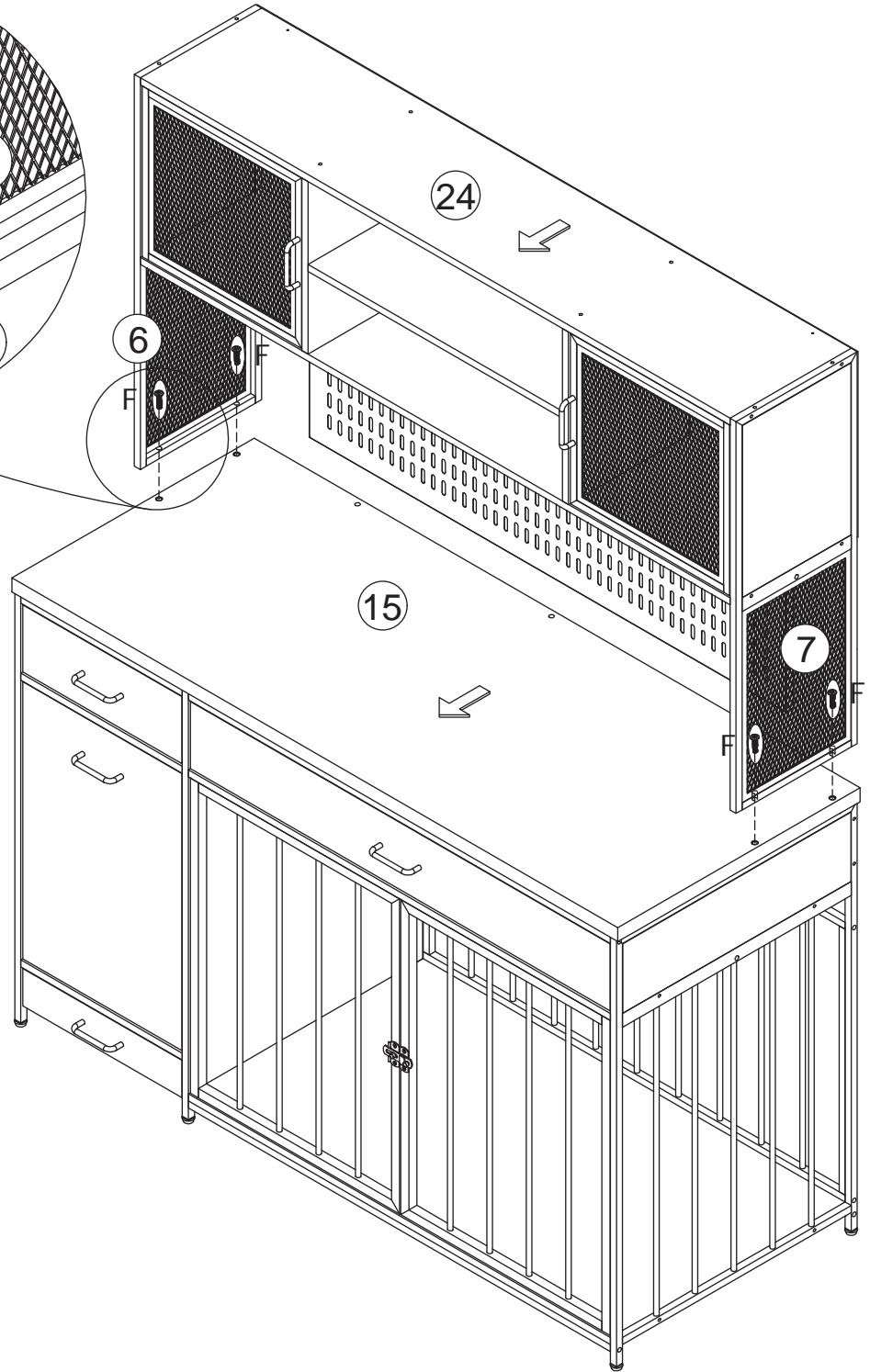
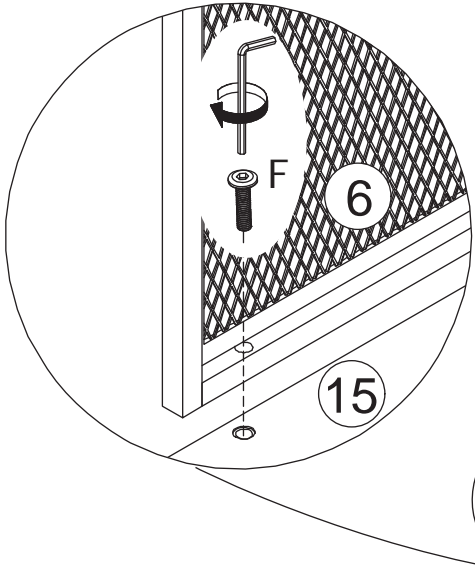
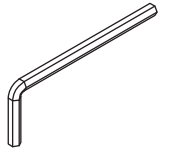


Assemble door 8 to the cabinet.



69

F x 4  
M6 x 25 mm



Connect the two components with screw(F) as shown.

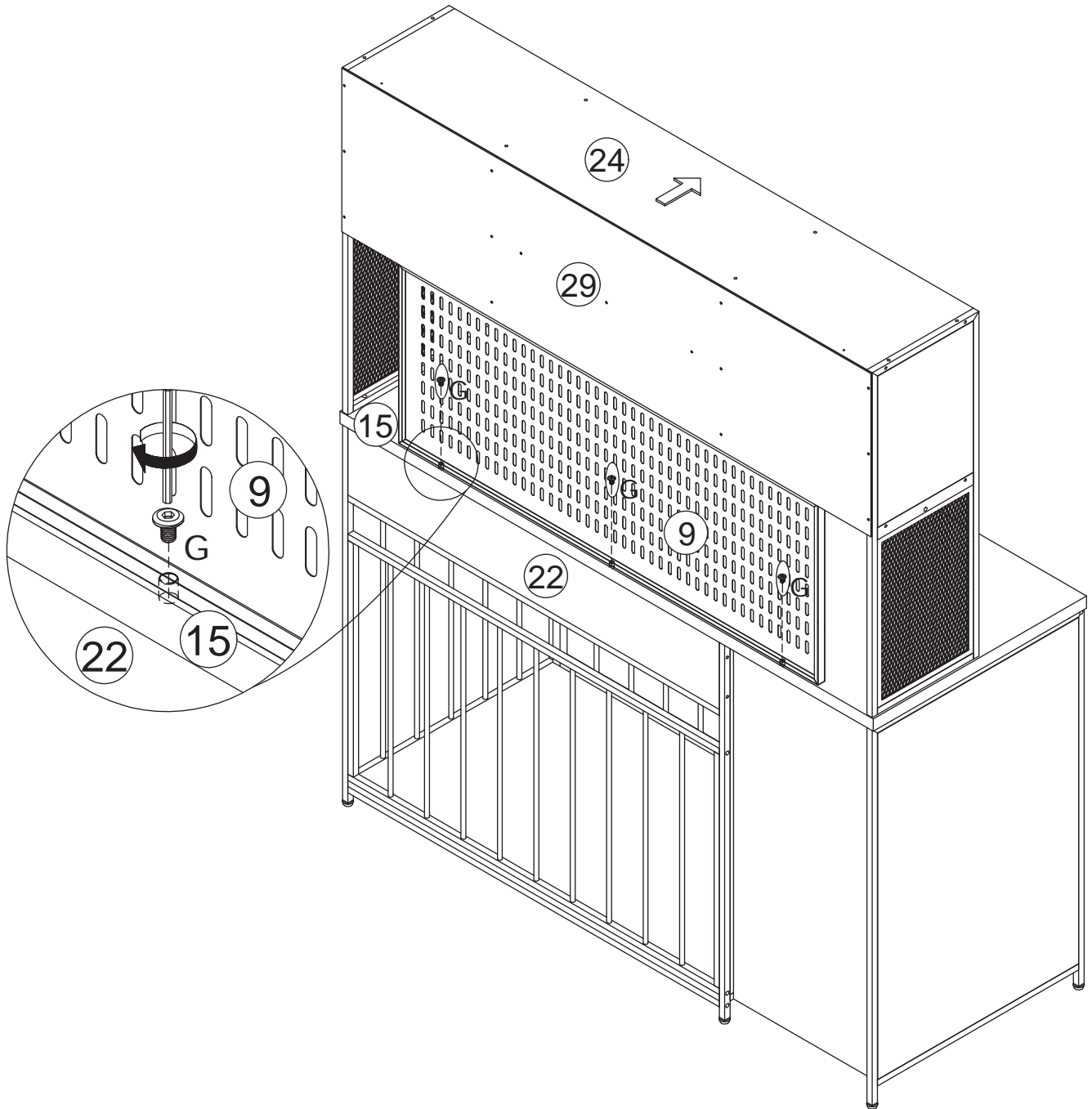
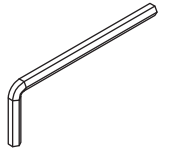


70

G x 3



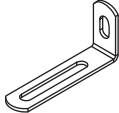

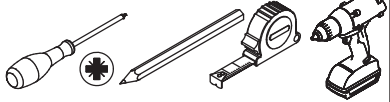


M6 x 10 mm

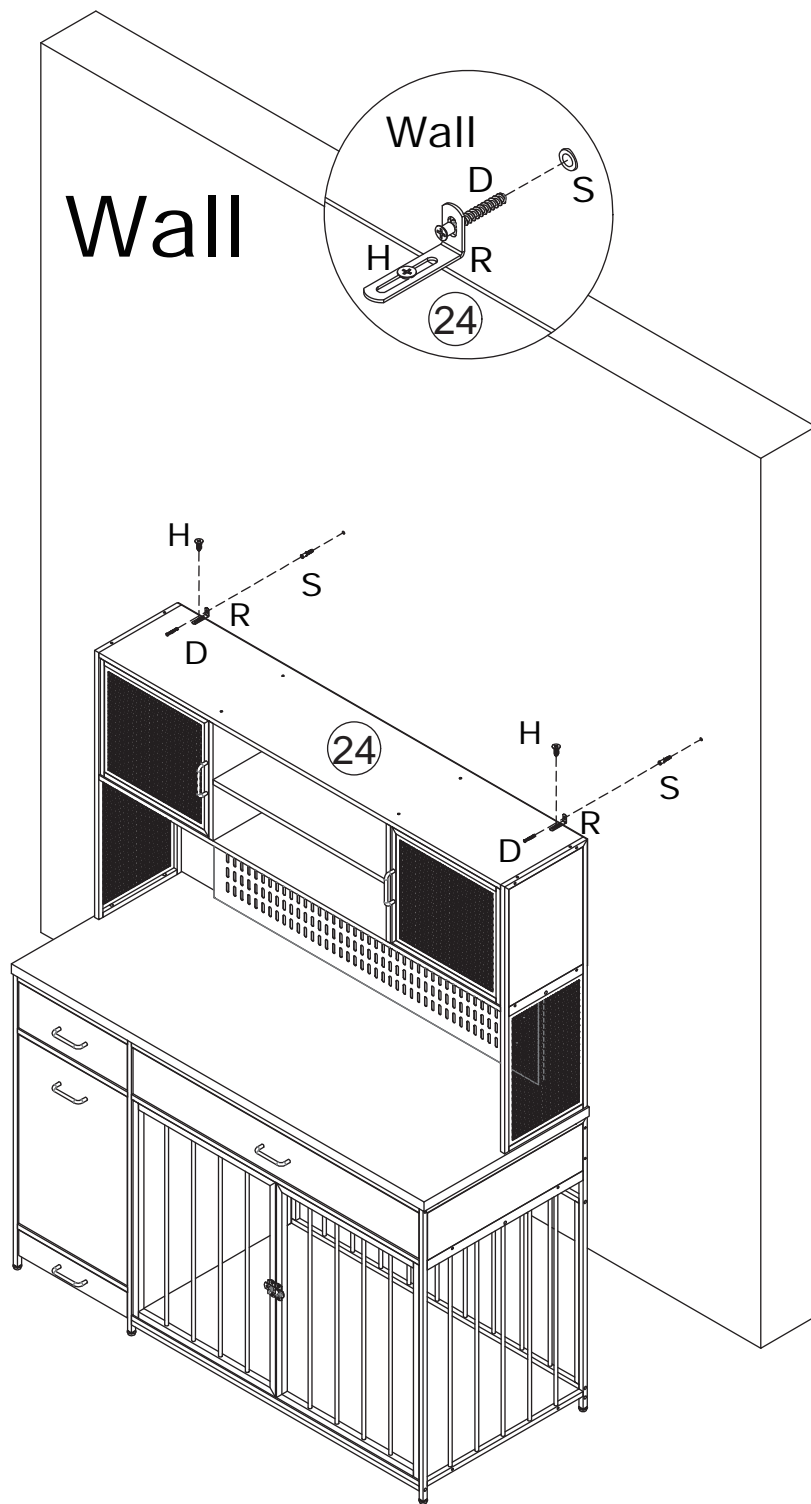
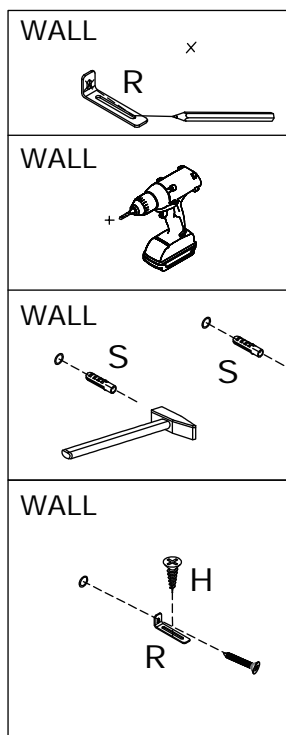


Fix metal mesh 9 to board 15 with screw(G) as shown.

71

<p>D x 2</p>  <p>M5 x 40 mm</p>	<p>H x 2</p>  <p>M3.5 x 12 mm</p>	<p>R x 2</p> 	<p>S x 2</p> 	
--	--	--	---	---

Install anti-tipping device as shown.



# WARRANTY

## WARRANTY CLAIMS

- There is a 30-day warranty for broken furniture or any other problems that do not work properly. The warranty will start from the date of purchase which must be verified by proof of purchase.
- Before making a claim, we may be able to answer your query, simply call us. Please leave your purchase order number, along with some details of the problem, if you want a replacement part. We will arrange within 48 hours. If there is out of stock, we will reply with a shipping date.
- The product must be used in accordance with the instructions provided. For health reasons.
- For other reasons, if the furniture needs to be returned, it must be cleaned and dried and operated within 30 days of receipt.

## Type of Warranty Claim

- Failure to follow the furniture instructions will invalidate the warranty. Attention please.
- Does not include damage during installation, but includes damage during transportation.

## Scope of responsibility

- Shall not bear any responsibility for misuse or user damage and / or loss of parts during the installation of furniture.
- After using, the damage and scratches of the furniture are not covered by the warranty.

## The Warranty Relates to All Bought in The Us and Covers The Following Areas

- Sheet parts: 1 month from the date of purchase.
- Electrical parts: 1 month from the date of purchase.

# RETURNS

## CHANGED YOUR MIND AND NEED TO RETURN YOU ITEM?

### PLEASE FOLLOW THE BELOW INSTRUCTIONS:

- If you have purchased and have simply changed your mind, follow the retailer's instructions for returns.

### DEFECTIVE ITEMS

- If your item is defective in any way, i.e. it doesn't work but you can't identify why, in the first instance, please call us.

### DAMAGED ITEMS

- If you receive an order with obvious shipping damage from the retailer, then we suggest the delivery is refused. If the delivery has been accepted and then shipping damage is found, please follow the specific instructions advised by the retailer.  
In all circumstances please save all packaging material and paperwork for the order. Please be aware that if you dispose of packaging material or attempt to return the merchandise without contacting the fulfiller, you jeopardise your chances of making a claim, and you may not receive a credit for the return.

### AFTER-SALES CONTACT

