

# **INSTALLATION**

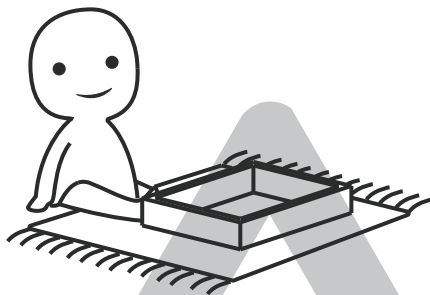
## *Product Manual*

Version: 210213-02-24A-PM



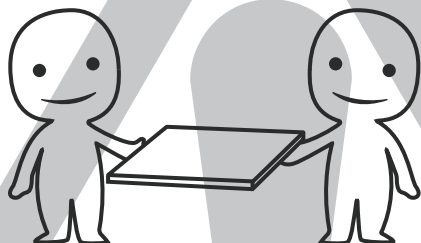
### **IMPORTANT INFORMATION!**

please read the entire manual before starting to assemble and/or using this product. follow the manual thoroughly and keep it for further reference.



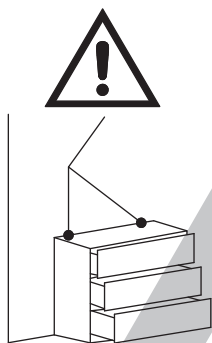
### **AVOID SCRATCHES!**

In order to avoid scratching this furniture should be assembled on a soft layer- could be a rug.



### **IMPROVE EFFICIENCY !**

Try to find a partner to install with you, which can speed up the installation efficiency and shorten the time.



### **ANTI-TOPPLE WARNING !**

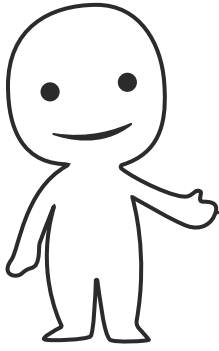
Overturned furniture can cause serious or fatal crush injuries. To prevent tipping over, be sure to use the wall attachment, if not included with this product. Please purchase the wall attachment that fit your wall. If unsure, seek professional advice. Please read and follow each step of the instructions carefully.

### **IMPORTANT !**

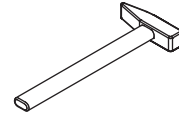
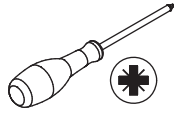
It is important that any product which is assembled using any kind of screw is re-tightened 2 weeks after assembly, and once every 3 months - in order to assure stability through-out the lifespan of the product.

For regular maintenance and cleaning of the product, for the frame, please use a rag dipped in neutral detergent to fully wipe it, and then dry it with a clean rag. For glass materials, wipe with a rag dampened with water glass cleaner, and then dry with a dry rag.

Do not use an electric screwdriver, and do not use too much force when installing, because the board is easy to break.



Please prepare the following tools



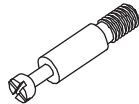
When installing, please carefully confirm whether each screw corresponds to the manual, accessories with similar shapes can be distinguished by size

A x 82



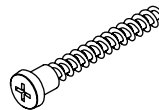
CRA0640A

B x 82



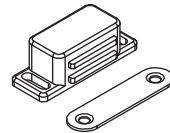
CRA0640A

C x 58



CRC0540A

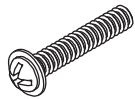
D x 2



E x 9



F x 9



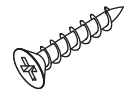
CRE0416A

G x 72



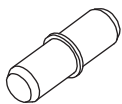
CRD0312A

H x 4



CRD0314A

J x 4

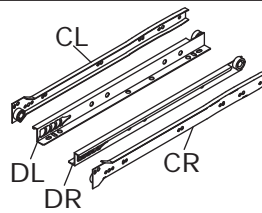


∅5 x 16 mm

K x 8

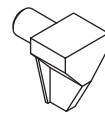


L x 9

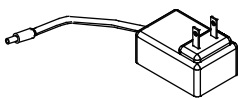


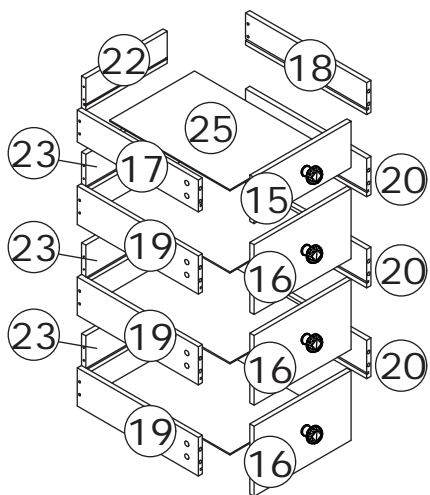
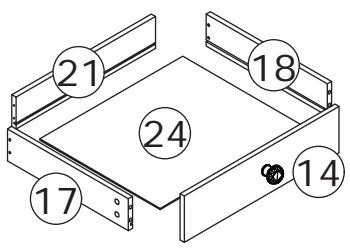
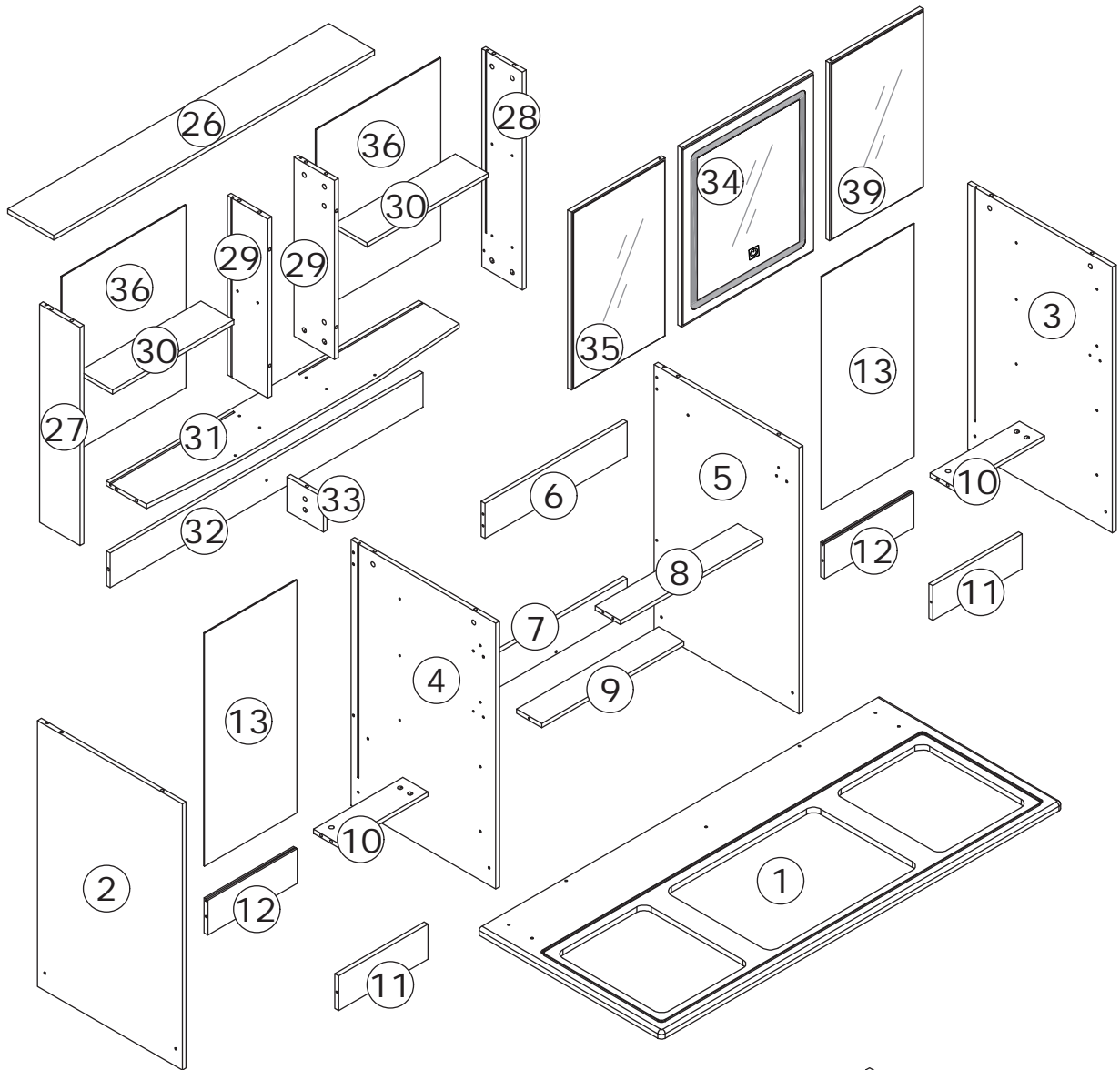
WX0814A

M x 8



Power plug x 1





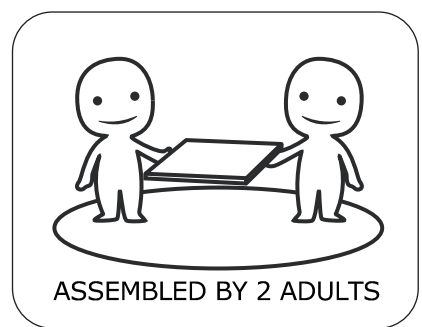
**x2**

**⚠ WARNING**

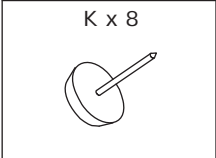
**Children have died from furniture tipover. To reduce the risk of furniture tipover:**

- ALWAYS install tipover restraint provided.
- NEVER put a TV on this product.
- NEVER allow children to stand, climb or hang on drawers, doors, or shelves.
- NEVER open more than one drawer at a time.
- Place heaviest items in the lowest drawers.

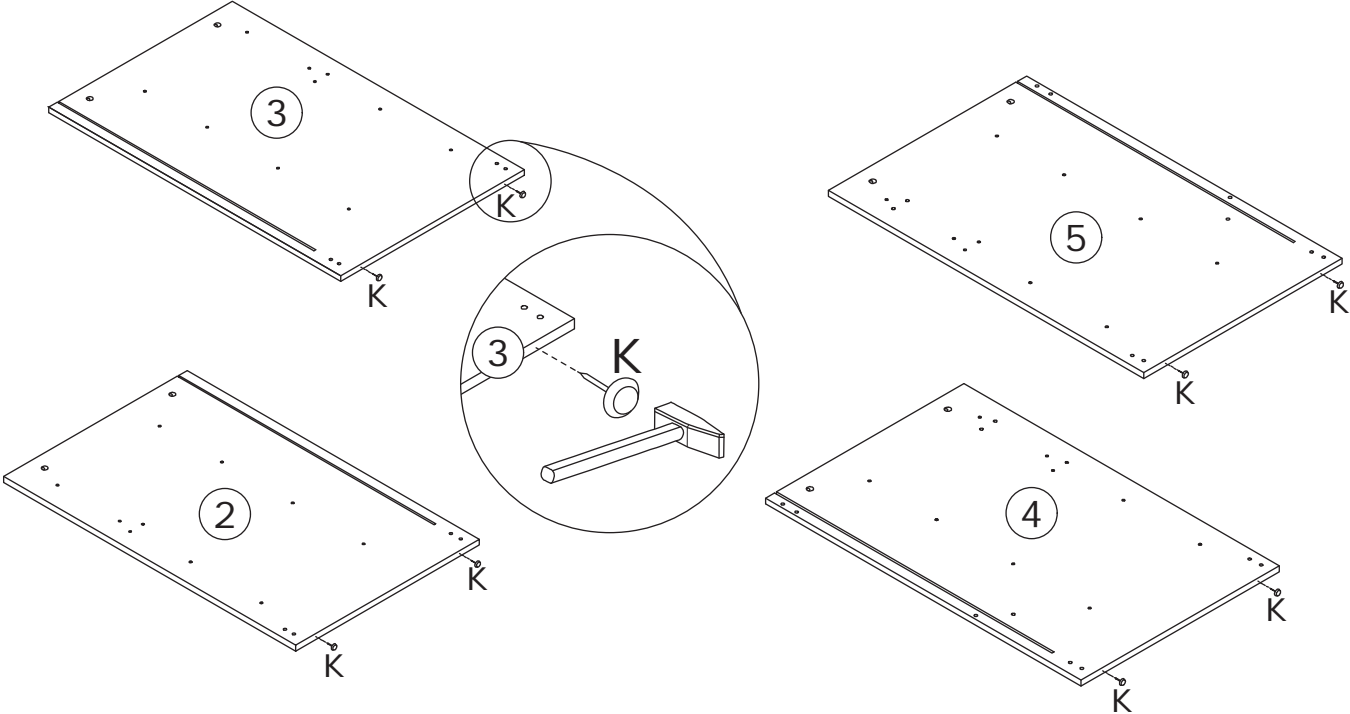
*This is a permanent label. Do not remove!*



1



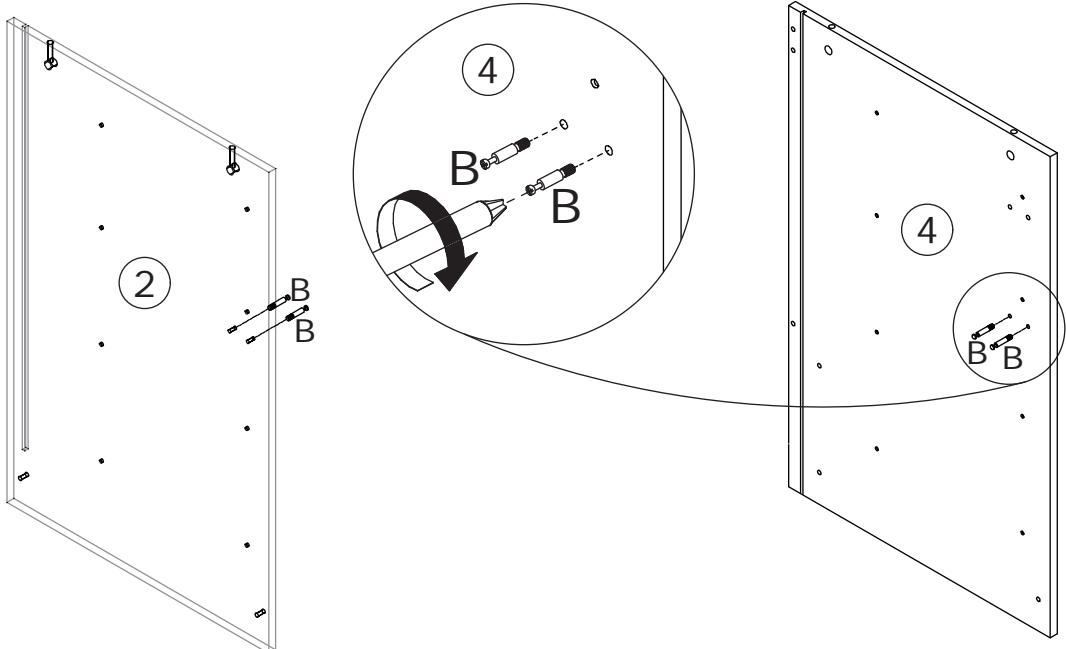
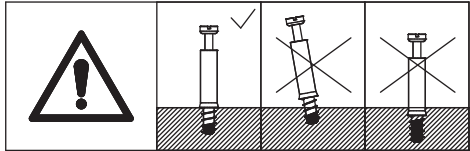
Knock foot pad(K) into bottom of board 2, 3, 4 and 5 as shown.



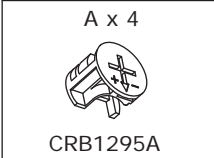
2



Insert quickfit screw(B) into board 2 and 4 with a screwdriver as shown.

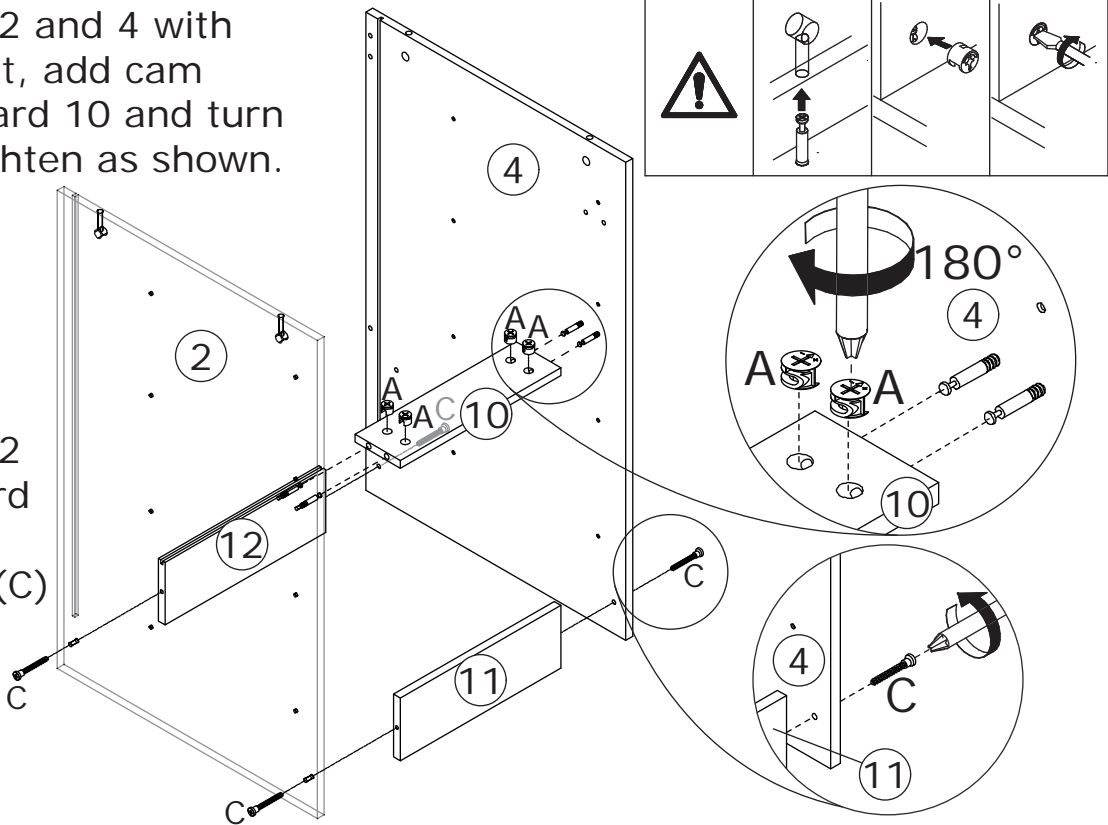


3



Connect board 2 and 4 with board 10 at first, add cam lock(A) into board 10 and turn clockwise to tighten as shown.

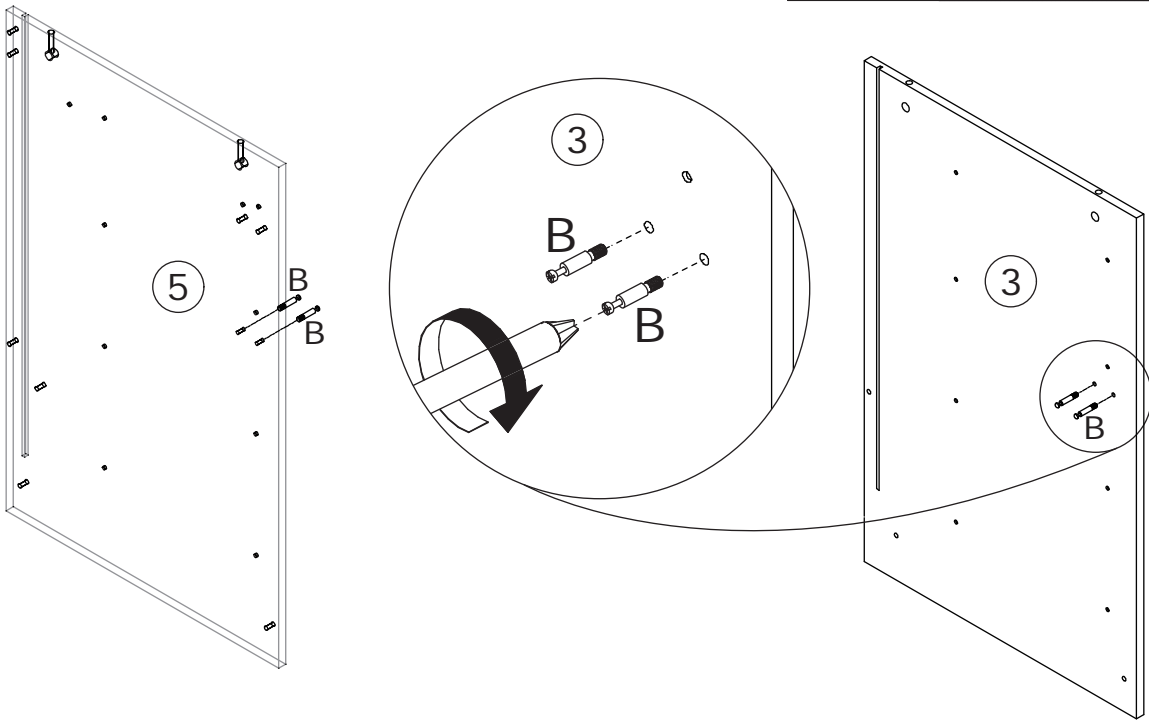
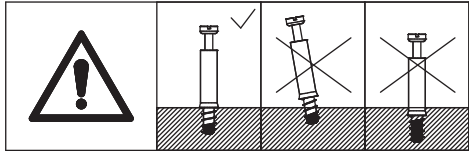
Connect board 2 and 4 with board 11 and 12, fix using screw(C) as shown.



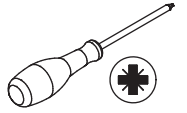
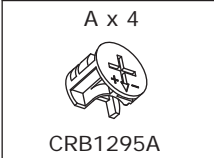
4



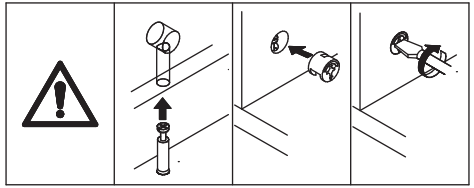
Insert quickfit screw(B) into board 3 and 5 with a screwdriver as shown.



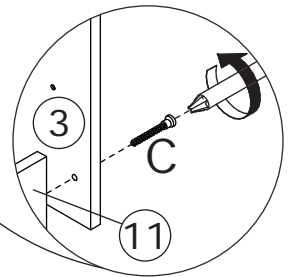
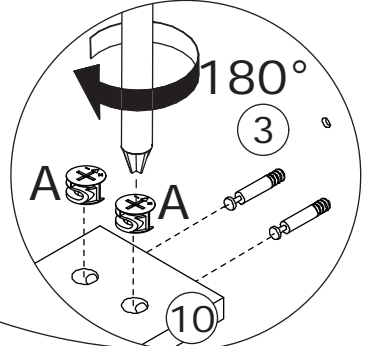
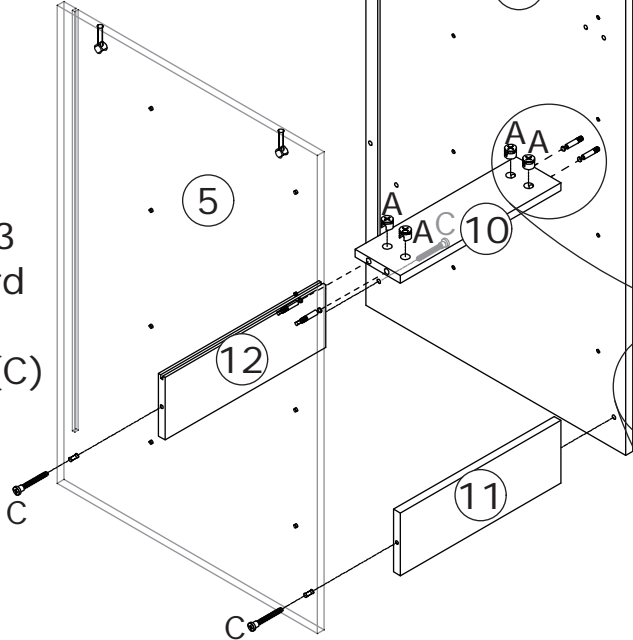
5



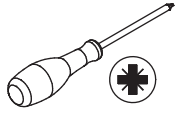
Connect board 3 and 5 with board 10 at first, add cam lock(A) into board 10 and turn clockwise to tighten as shown.



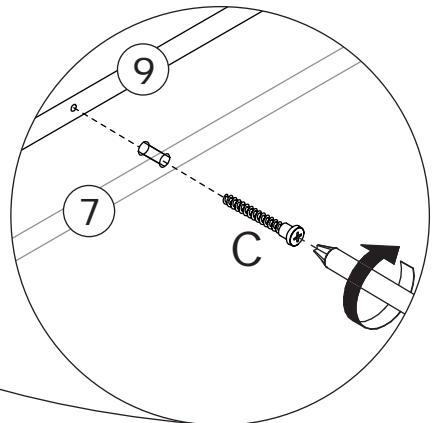
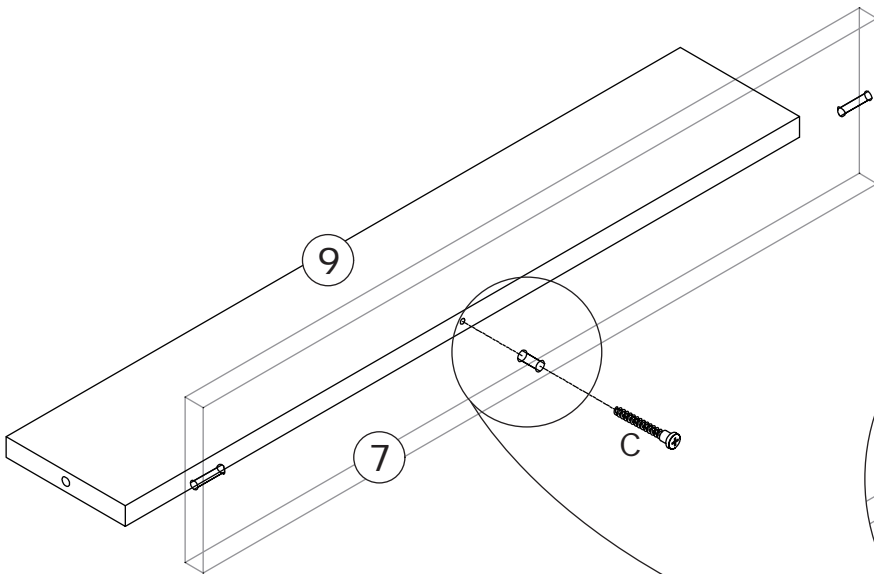
Connect board 3 and 5 with board 11 and 12, fix using screw(C) as shown.



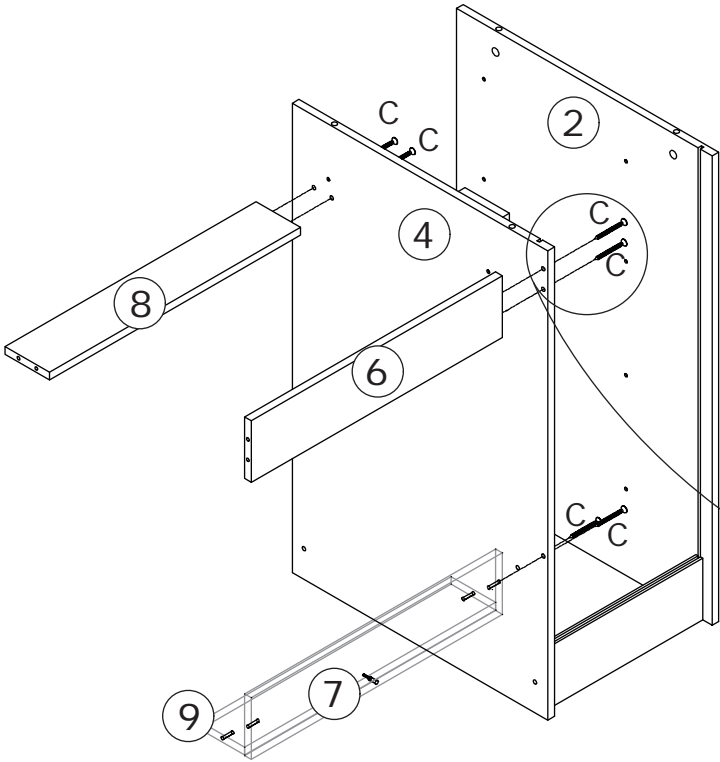
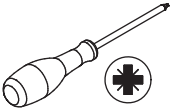
6



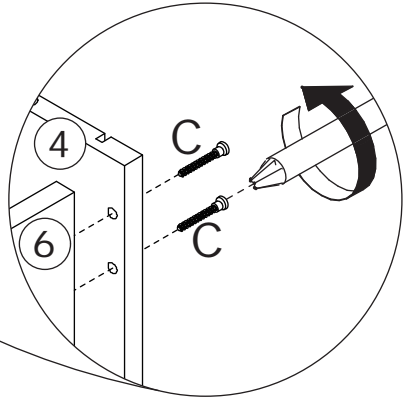
Fix board 7 to board 9 with screw(C) as shown.



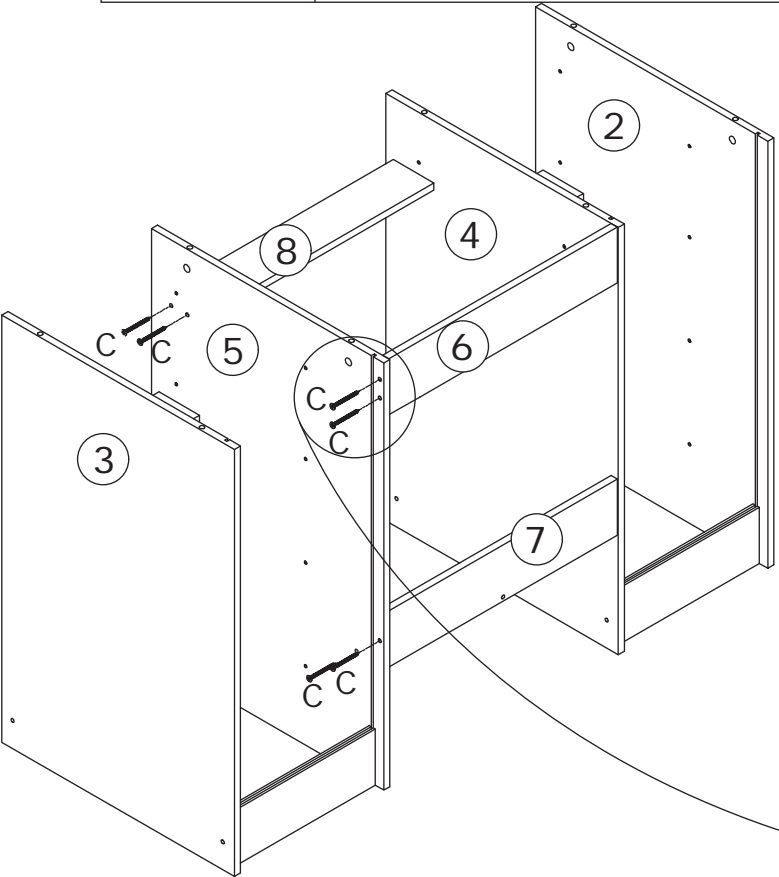
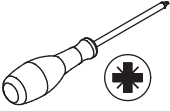
7



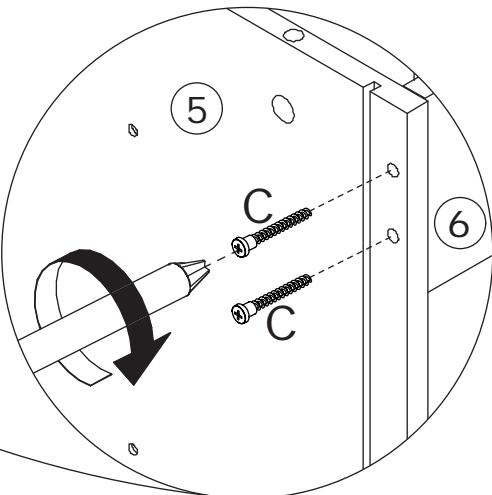
Connect board 6, 8, 7 and 9 with board 4, fix using screw(C) as shown.



8

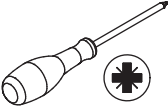
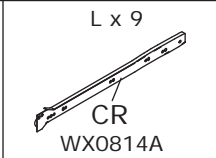


Connect board 6, 8, 7 and 9 with board 5, fix using screw(C) as shown.

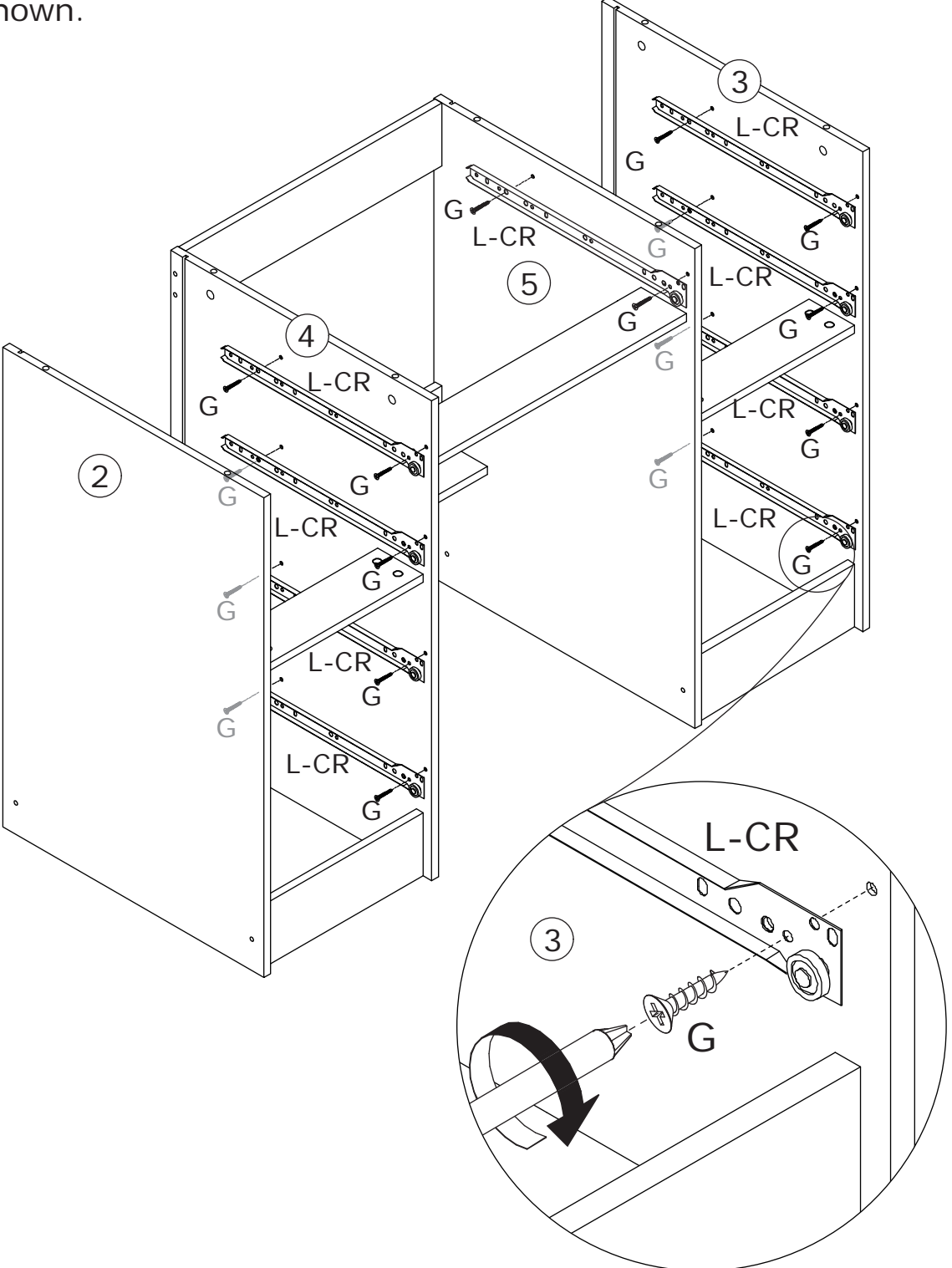
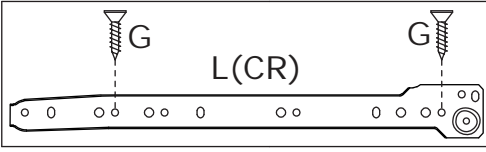




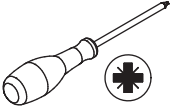
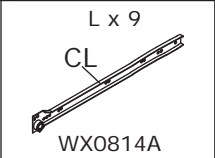
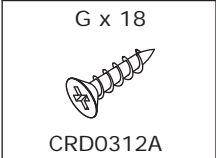
9



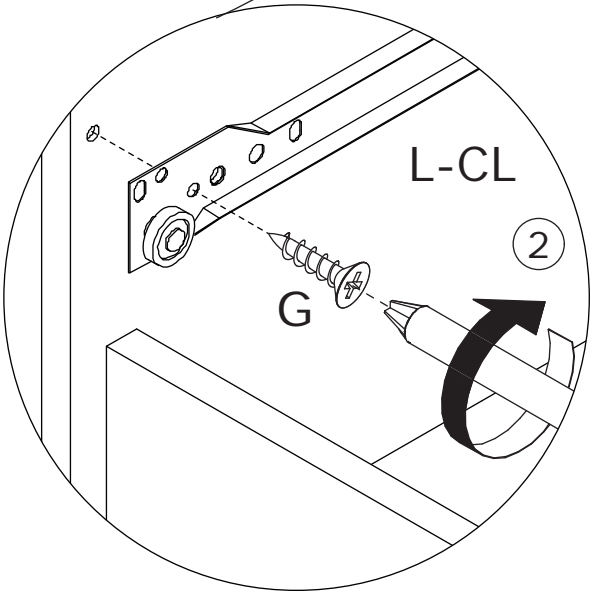
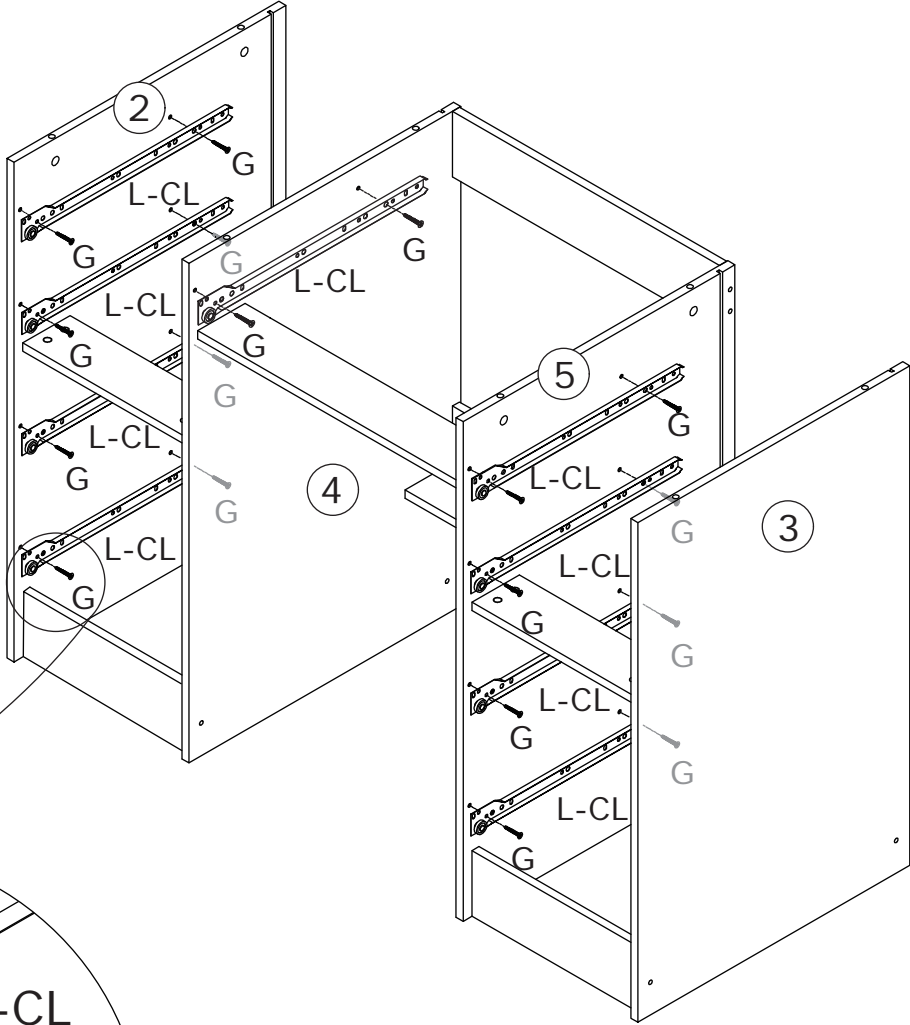
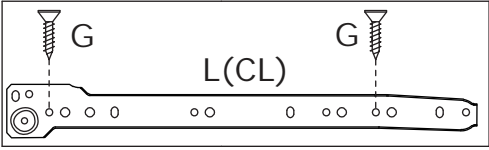
Fix slide rail(L) to board 3 and 4 and 5 with screw(G) as shown.



10

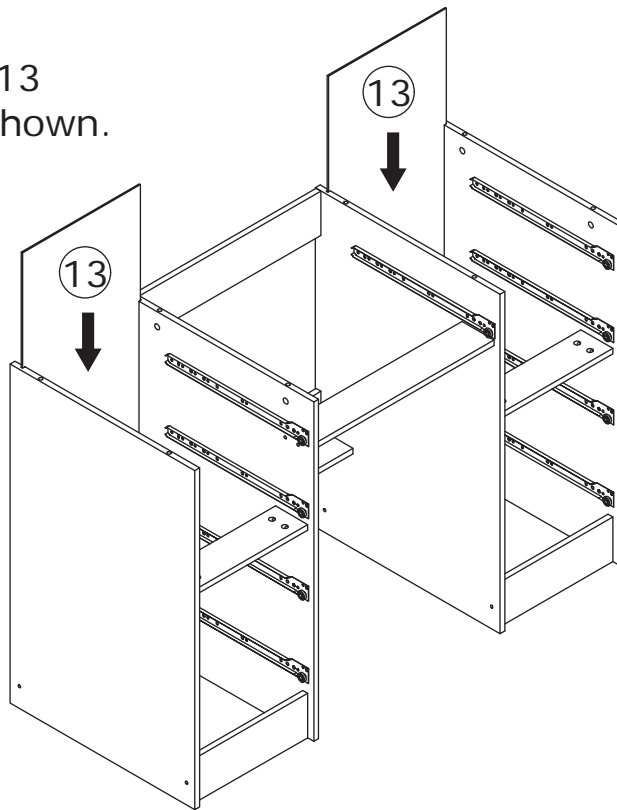


Fix slide rail(L) to board 2 and 4 and 5 with screw(G) as shown.



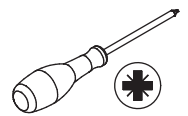
11

Insert back board 13  
along grooves as shown.

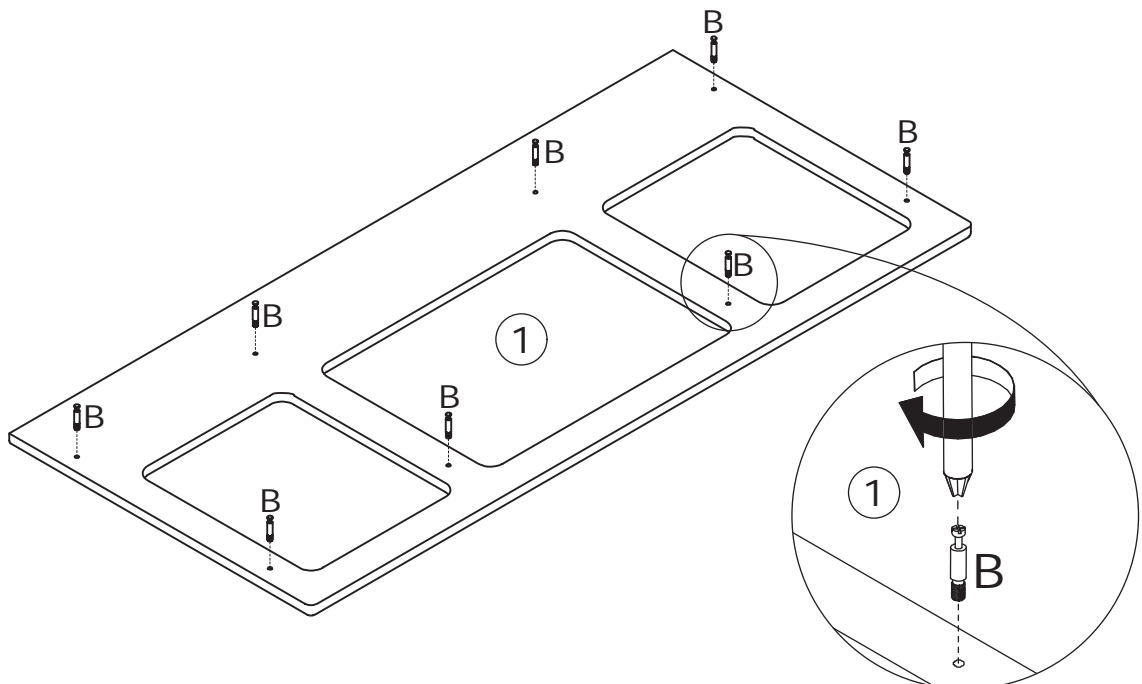
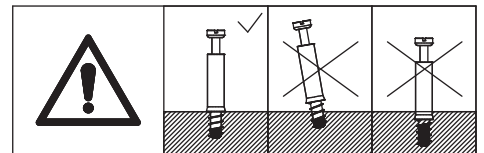


12

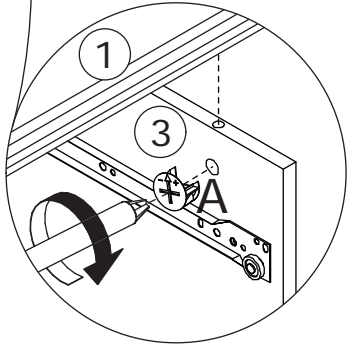
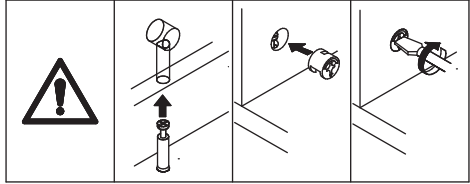
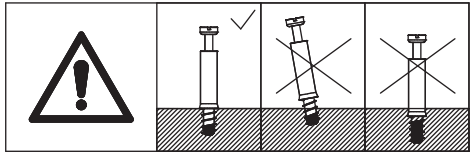
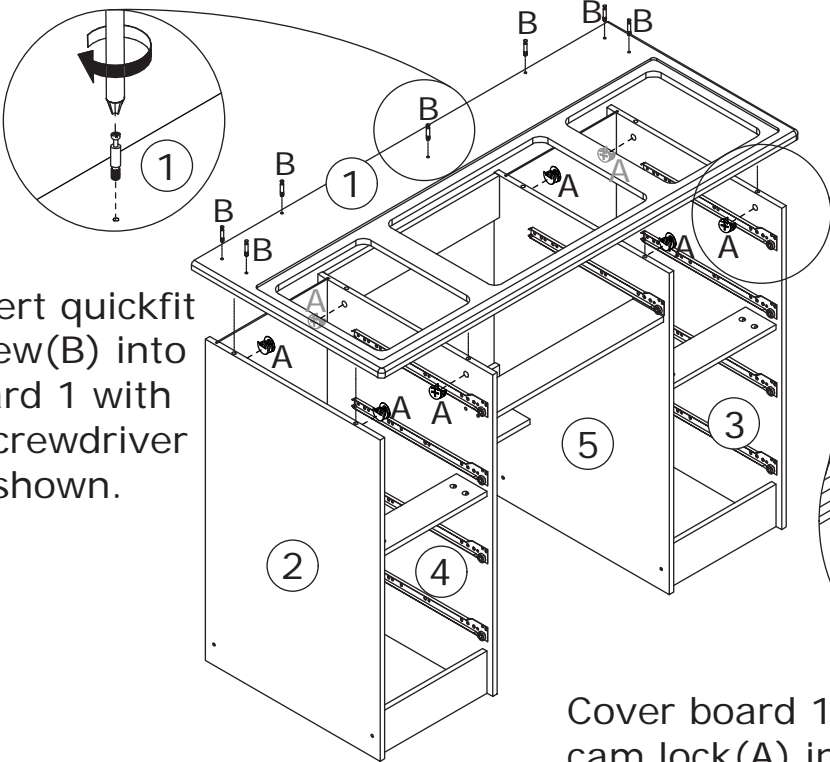
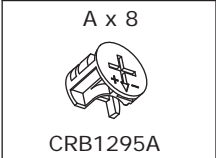
B x 8  
CRA0640A



Insert quickfit screw(B) into board 1 with  
a screwdriver as shown.



13



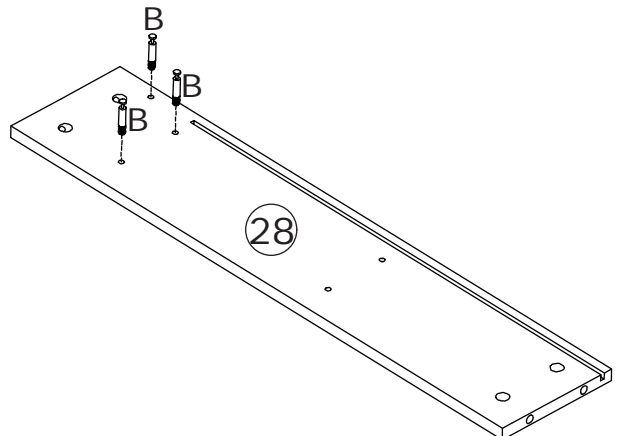
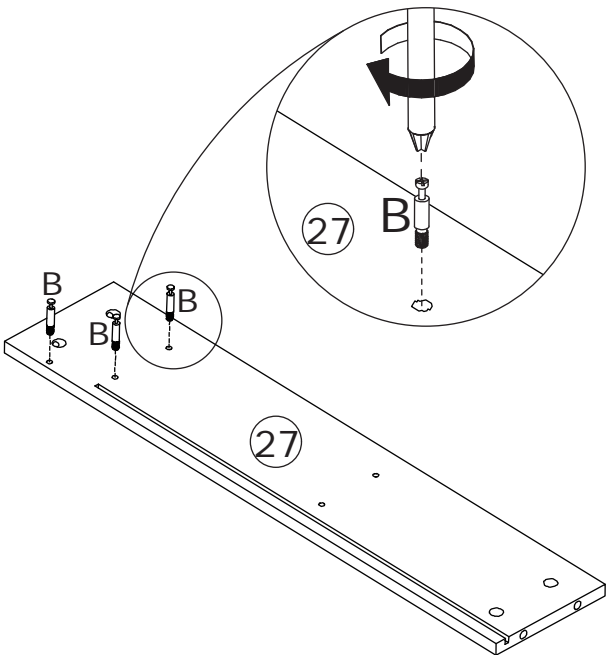
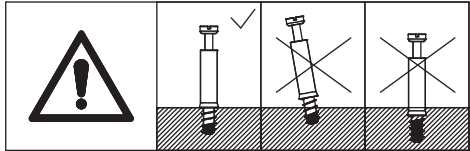
Insert quickfit screw(B) into board 1 with a screwdriver as shown.

Cover board 1 to the component, add cam lock(A) into board 2,4,5,3 and turn clockwise to tighten as shown.

14

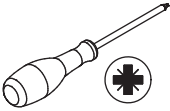


Insert quickfit screw(B) into board 27 and 28 with a screwdriver as shown.

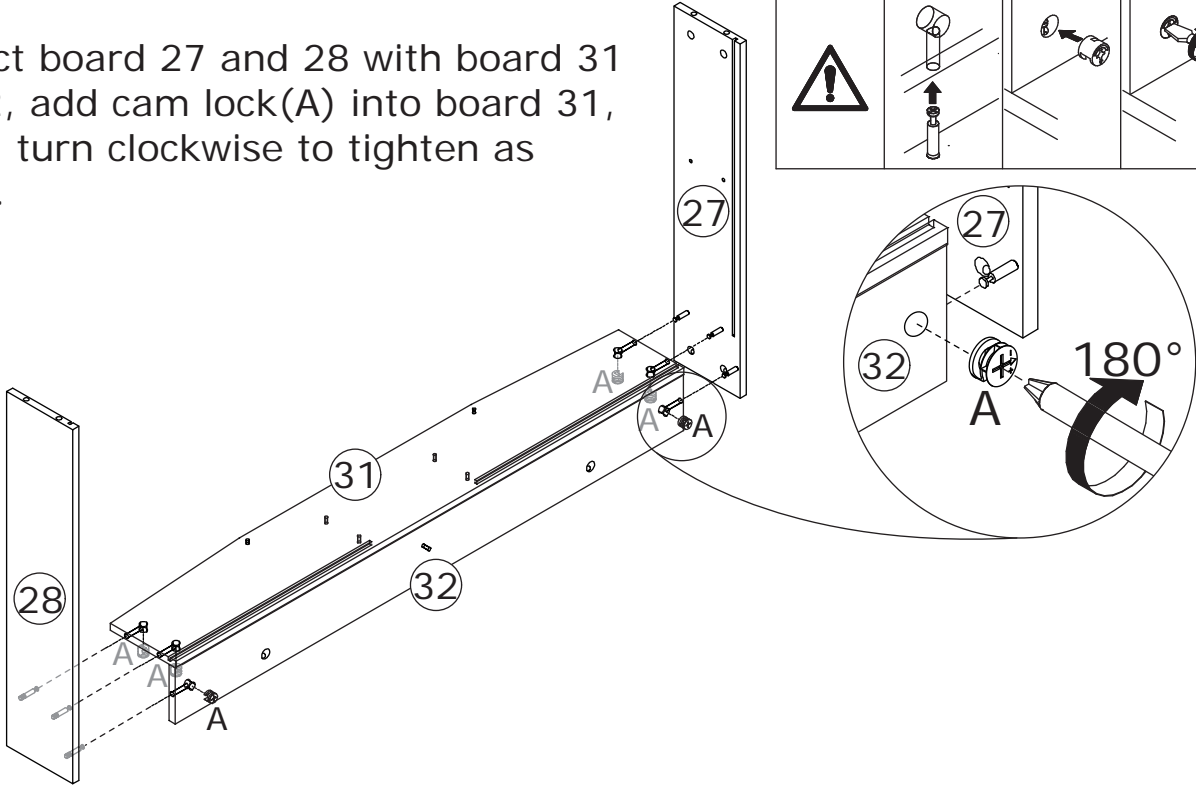
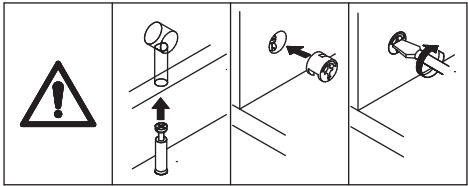


15

A x 6  
CRB1295A

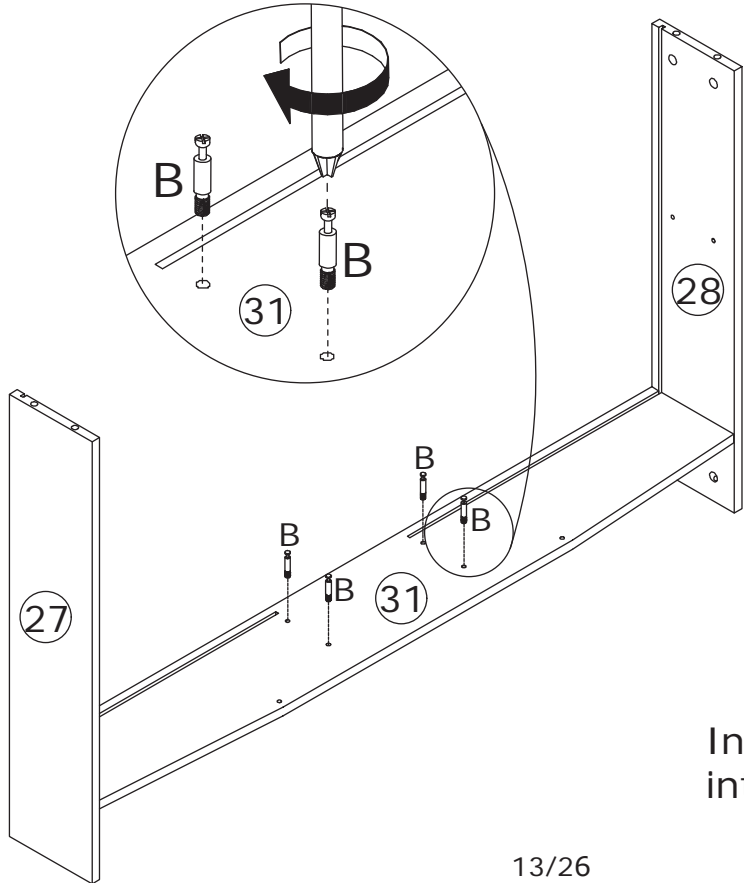
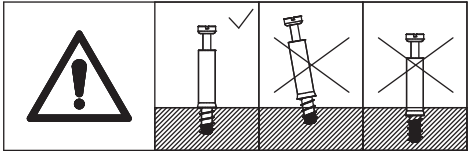
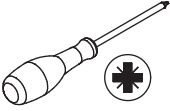


Connect board 27 and 28 with board 31 and 32, add cam lock(A) into board 31, 32 and turn clockwise to tighten as shown.



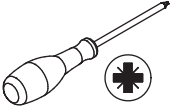
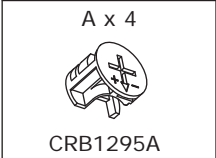
16

B x 4  
CRA0640A

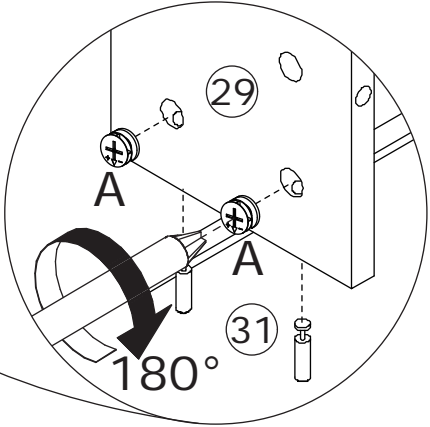
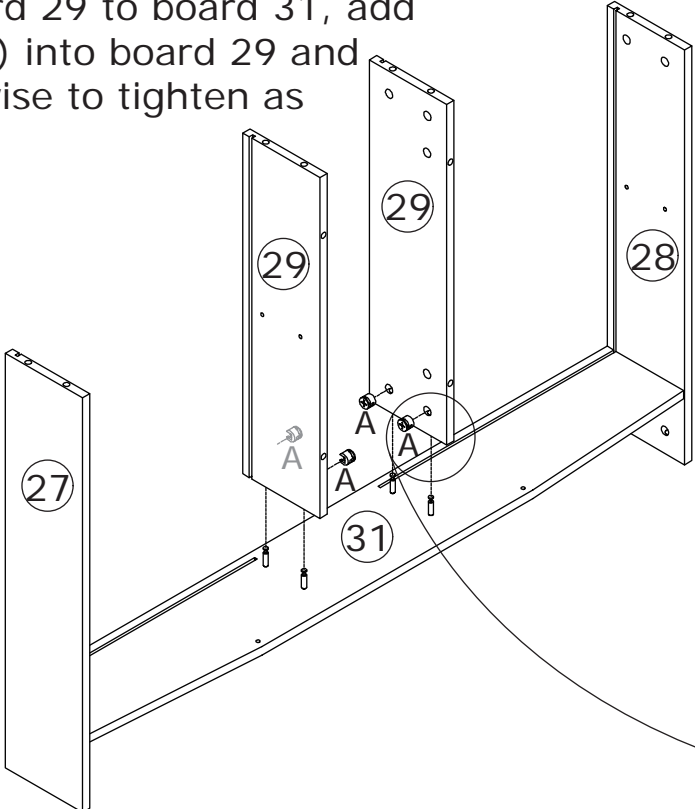
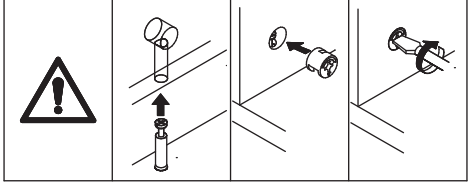


Insert quickfit screw(B) into board 31 as shown.

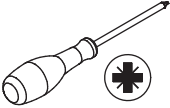
17



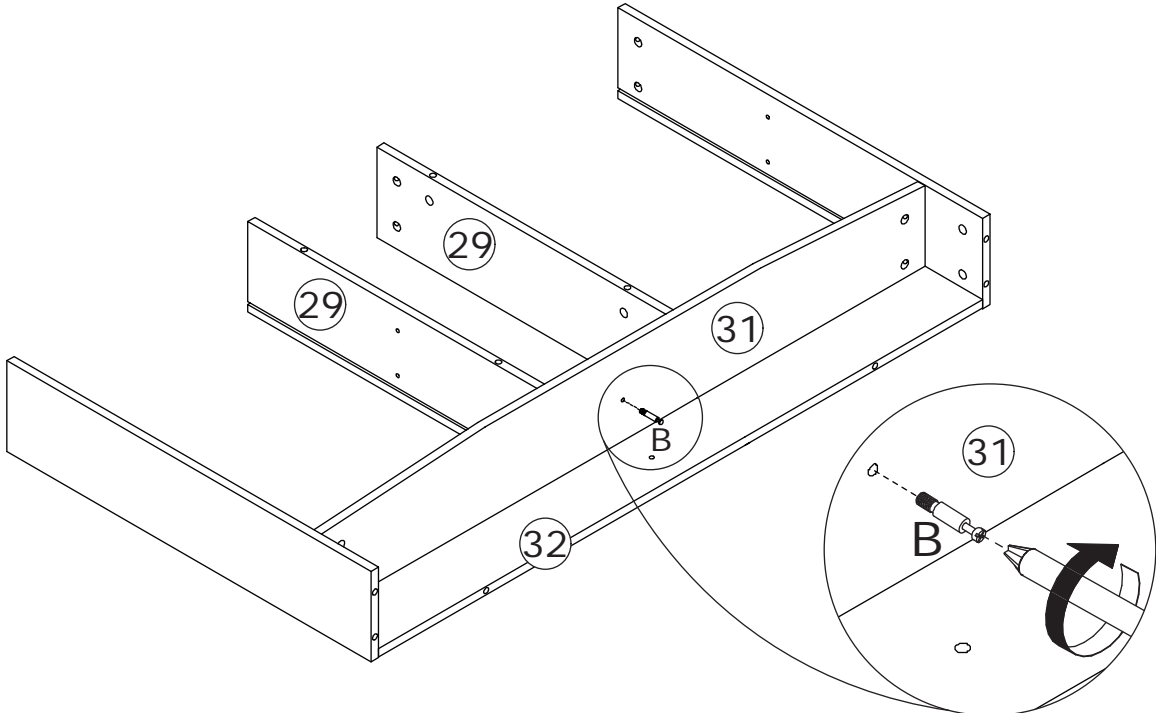
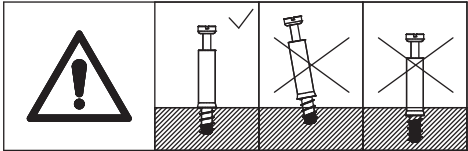
Attach board 29 to board 31, add cam lock(A) into board 29 and turn clockwise to tighten as shown.



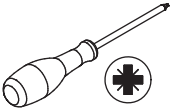
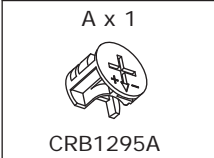
18



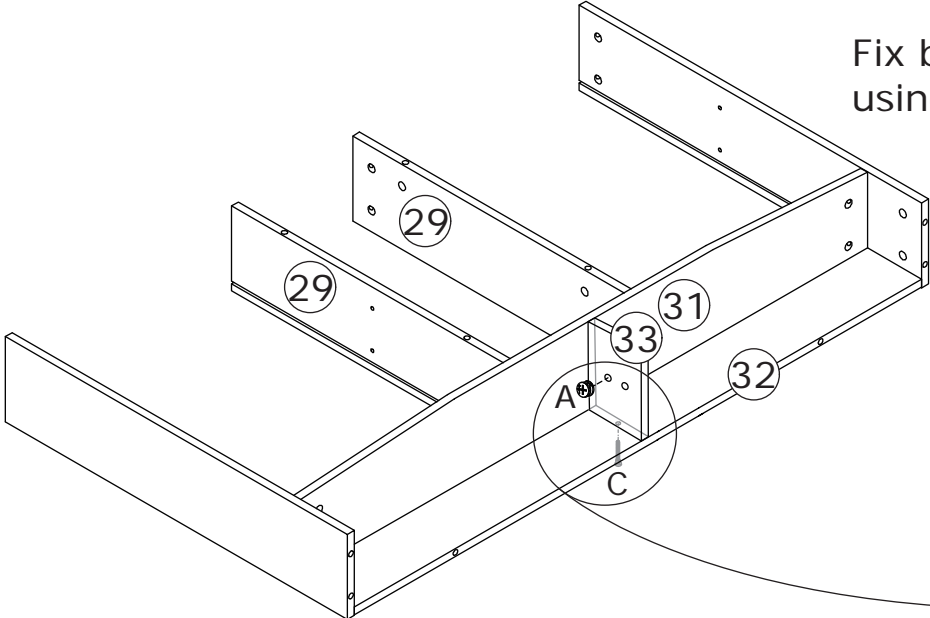
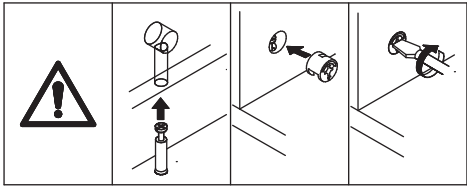
Insert quickfit screw(B) into board 31 as shown.



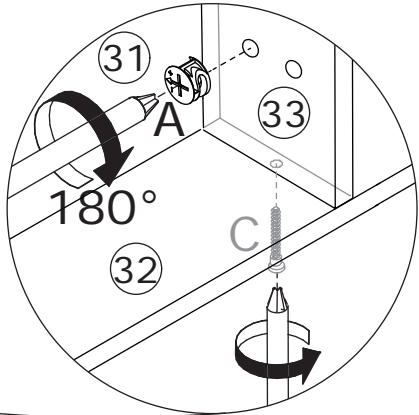
19



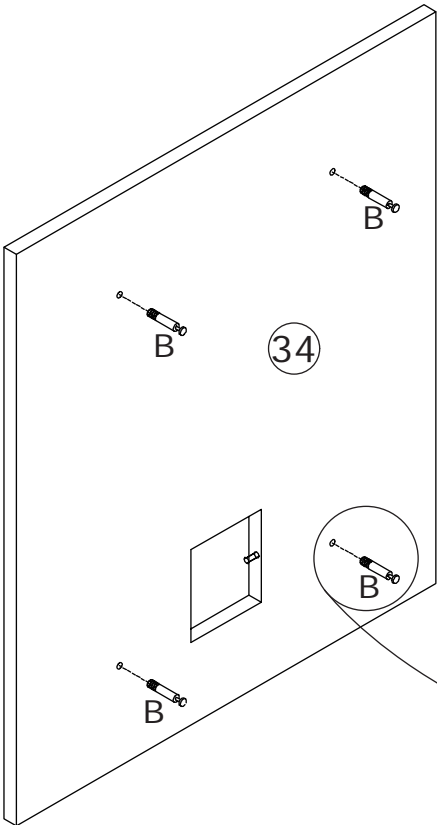
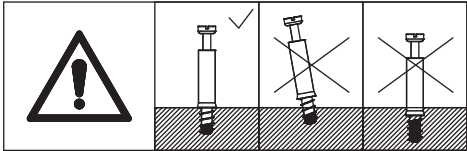
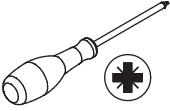
Attach board 33 to board 31,  
add cam lock(A) and turn  
clockwise to tighten as shown.



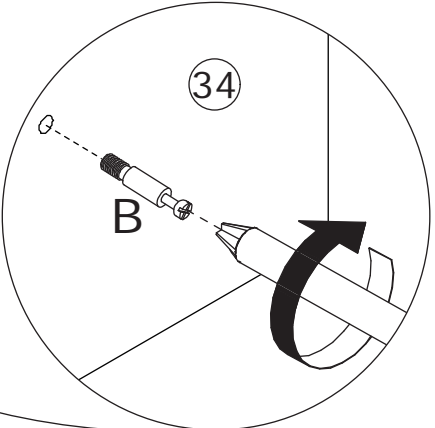
Fix board 33 with board 32  
using screw(C) as shown.



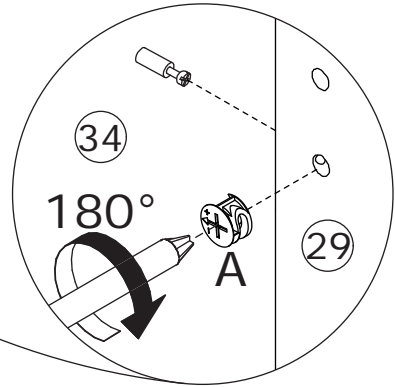
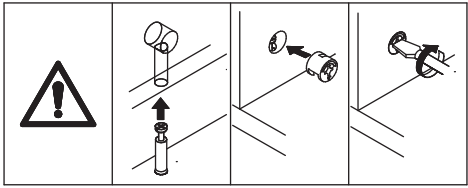
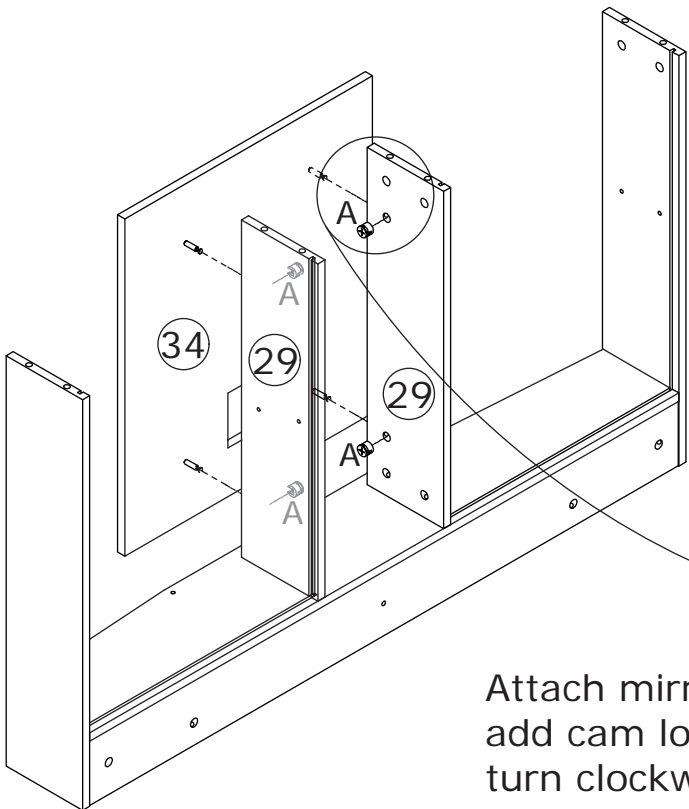
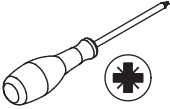
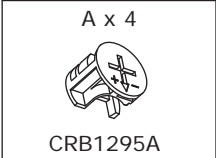
20



Insert quickfit screw(B)  
into board 34 as shown.

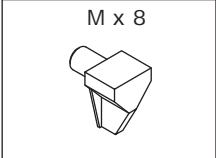


21

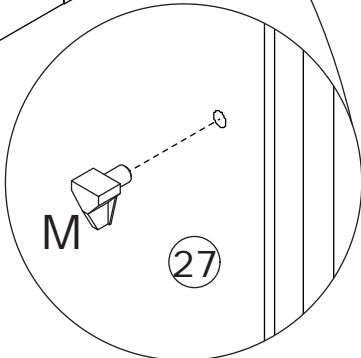
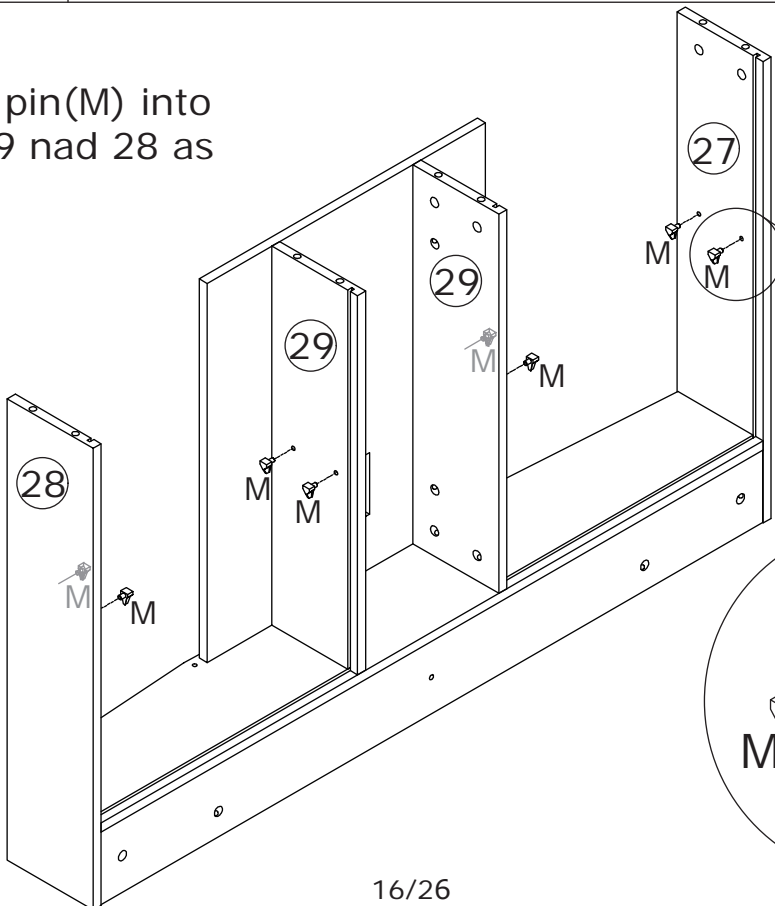


Attach mirror board 34 to board 29, add cam lock(A) into board 29 and turn clockwise to tighten as shown.

22



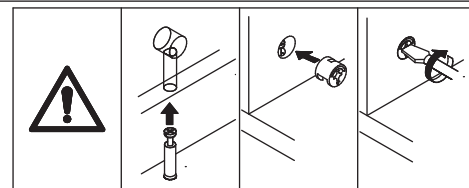
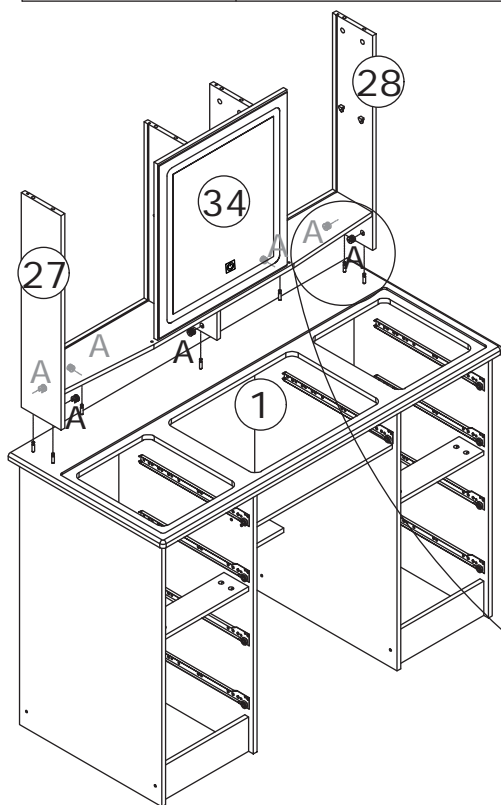
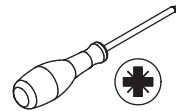
Insert layer pin(M) into board 27, 29 nad 28 as shown.



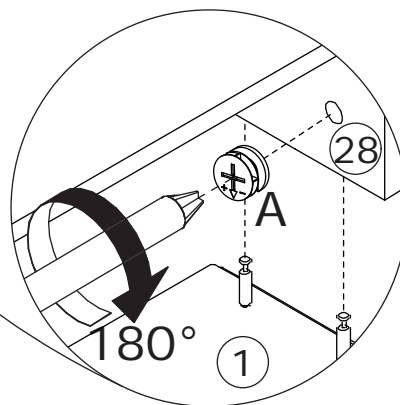


23

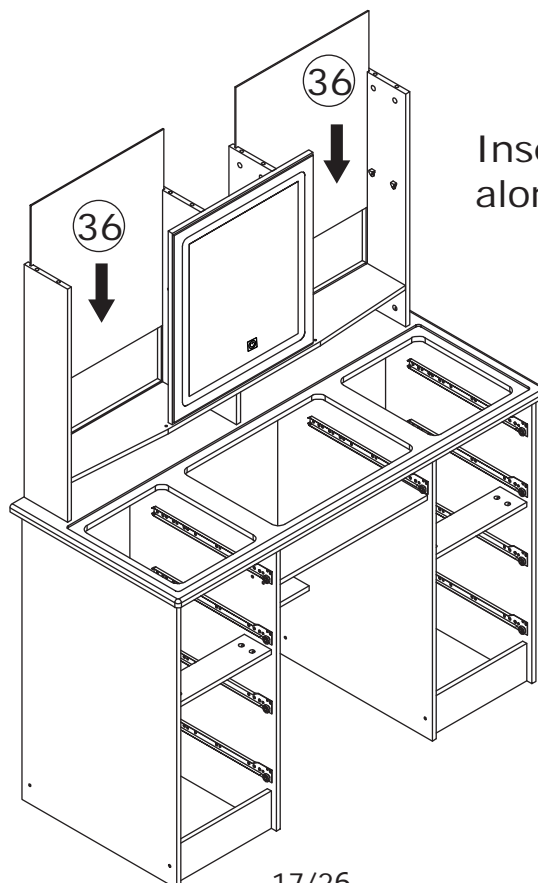
A x 7  
CRB1295A



Attach the component to board 1, add cam lock (A) and turn clockwise to tighten as shown.

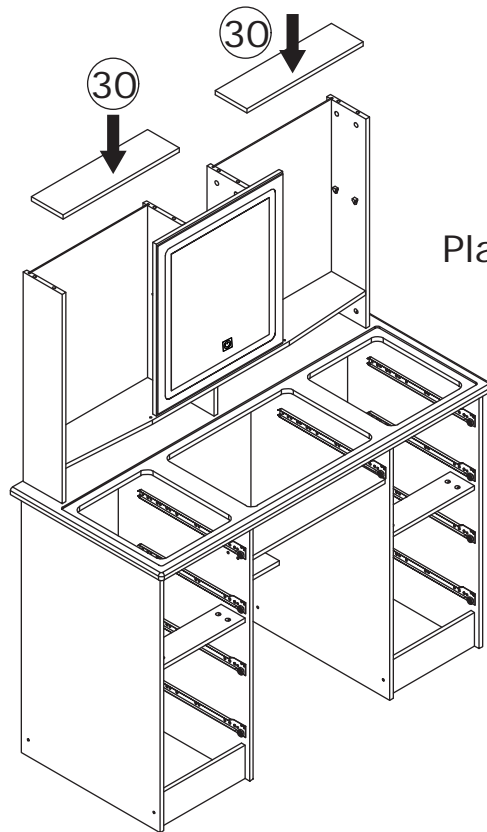


24



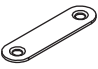
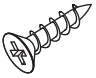
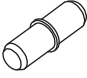
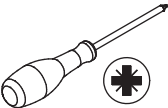
Insert back board 36 along grooves as shown.

25

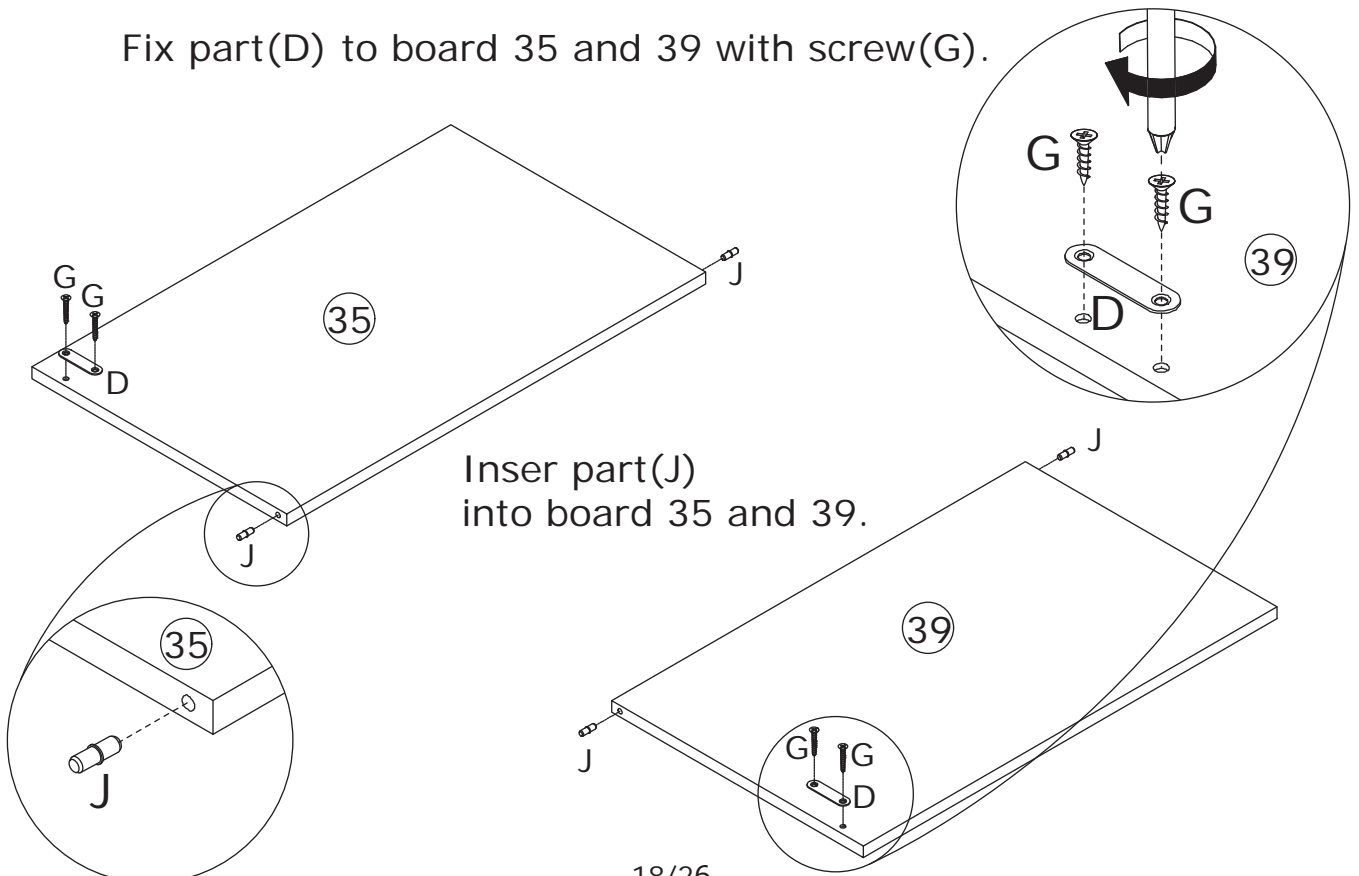


Place shelf 30 in as shown.

26

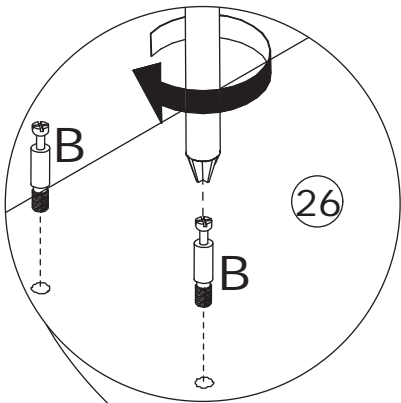
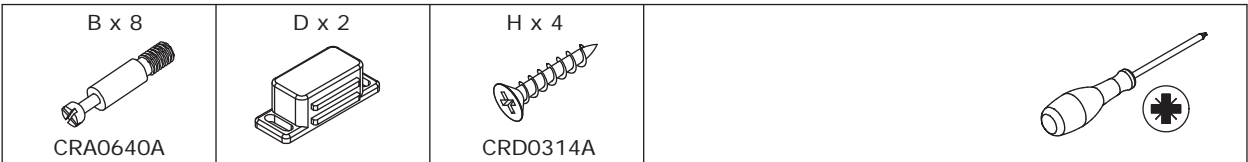
<p>D x 2</p> 	<p>G x 4</p>  <p>CRD0312A</p>	<p>J x 4</p>  <p>Ø5 x 16 mm</p>	
--	--	--	---

Fix part(D) to board 35 and 39 with screw(G).

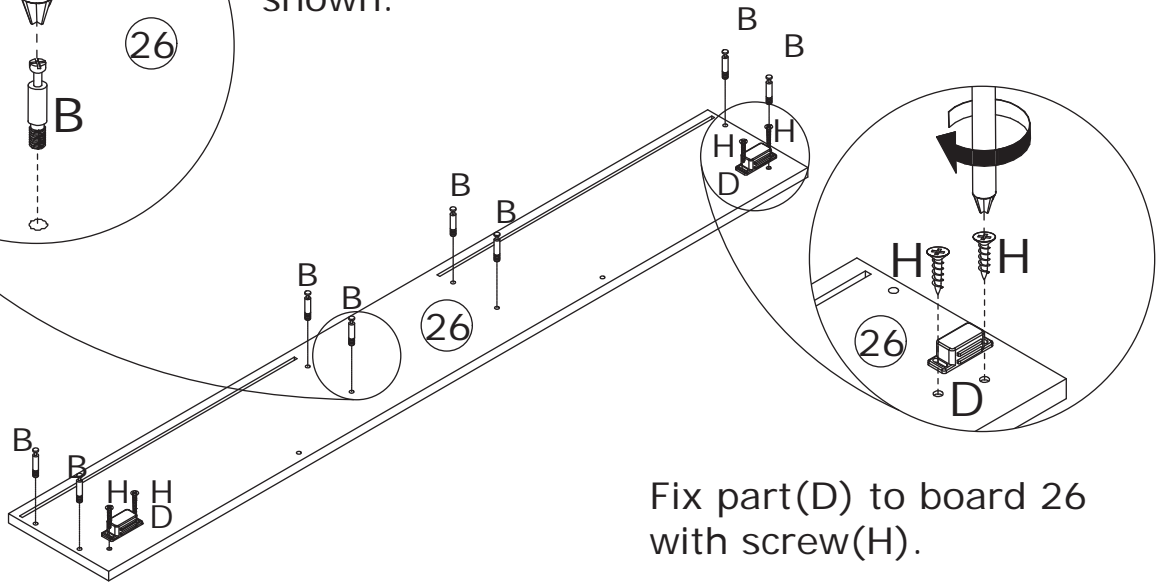
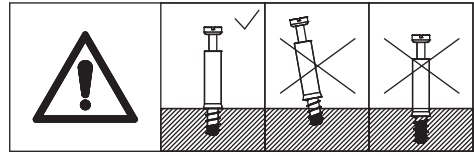


Insert part(J)  
into board 35 and 39.

27

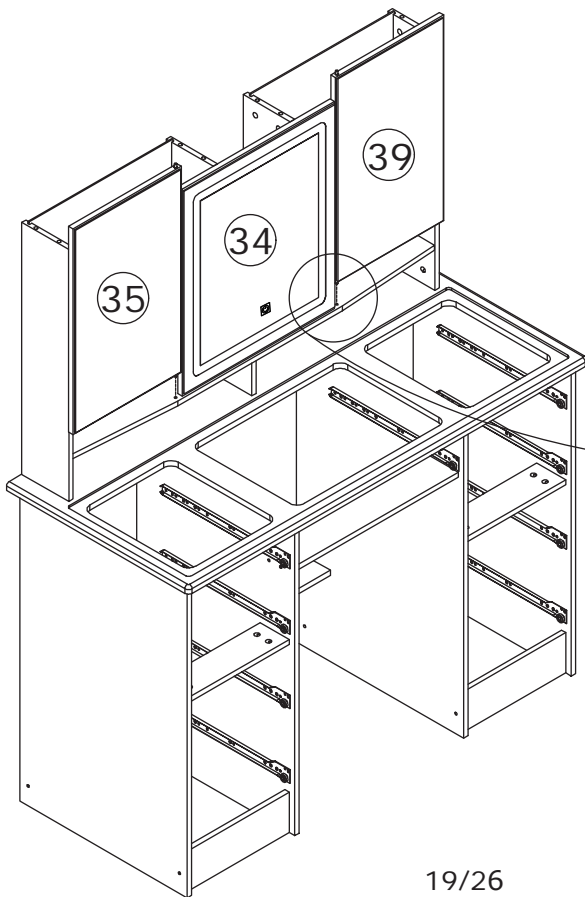


Insert quickfit screw (B) into board 26 as shown.



Fix part (D) to board 26 with screw (H).

28



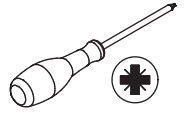
Align the door shaft hole, assemble board 35 and 39 as shown.

# 29

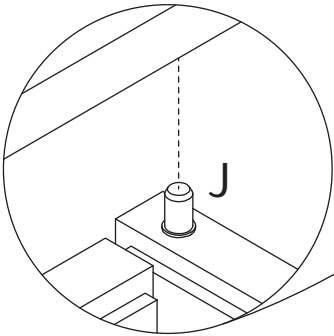
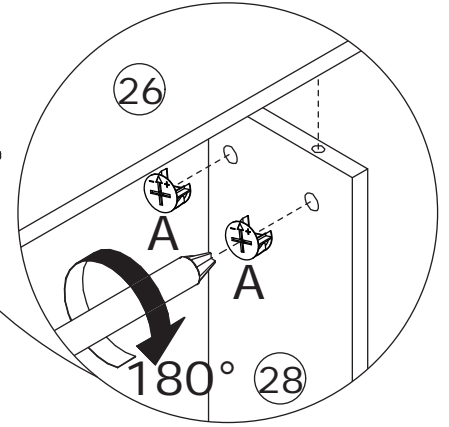
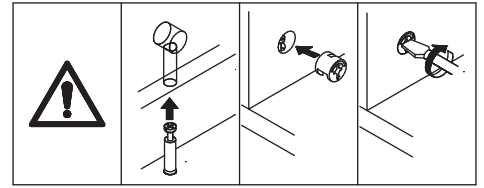
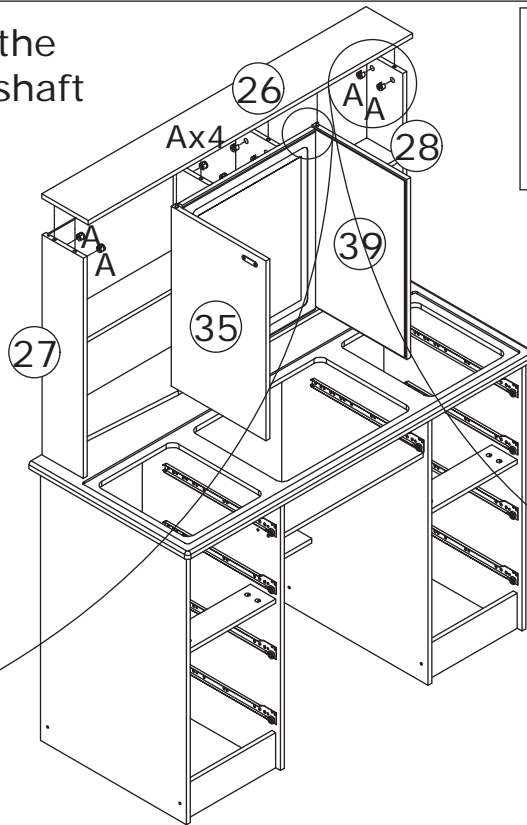
A x 8



CRB1295A

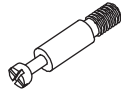


Attach board 26 to the top, align the door shaft hole to assemble. Add cam lock(A) and turn clockwise to tighten as shown.



# 30

B x 4



CRA0640A

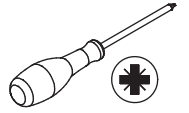
E x 1



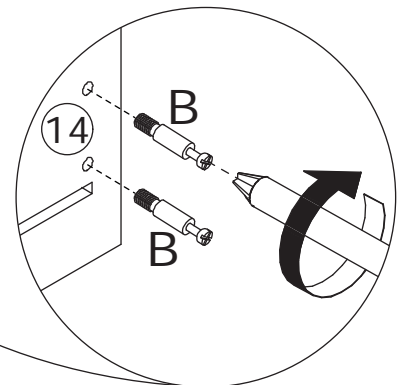
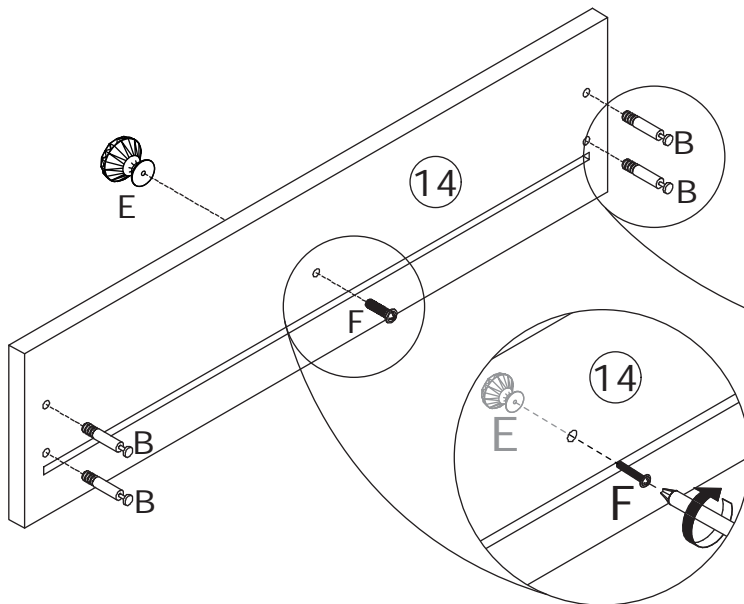
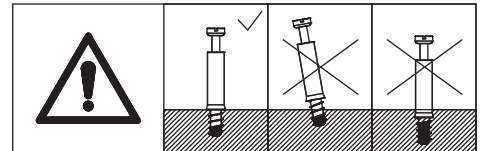
F x 1



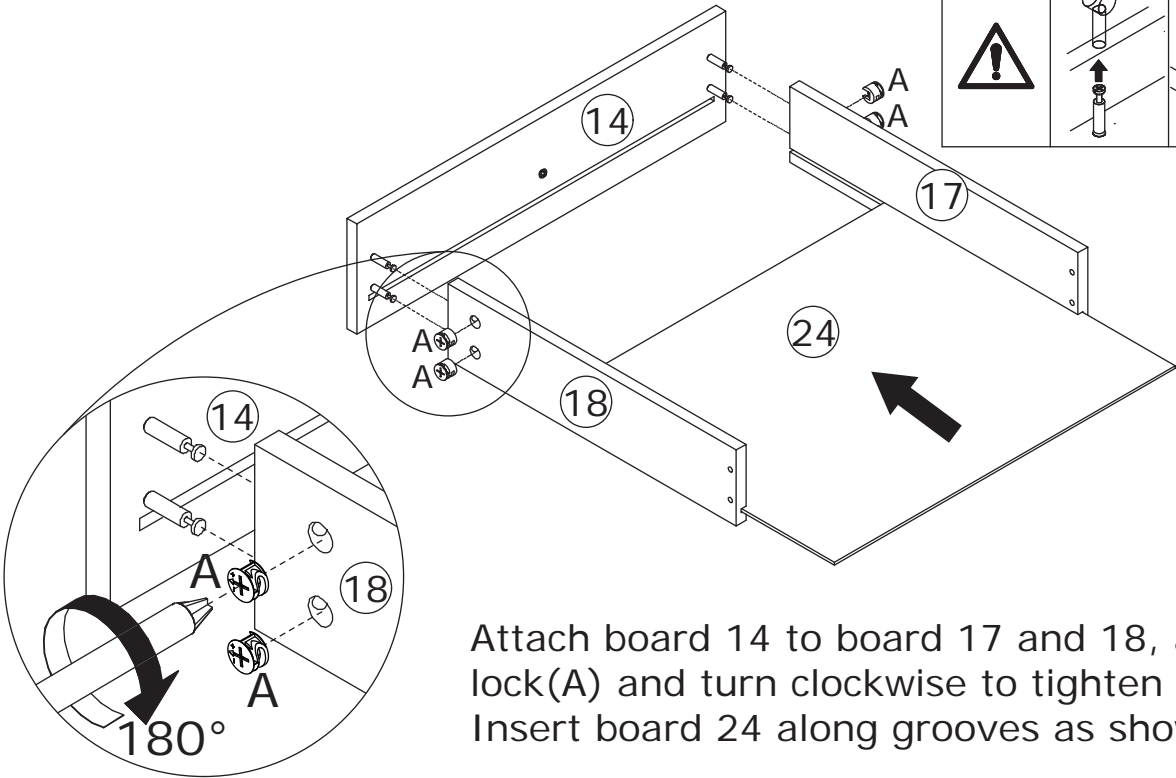
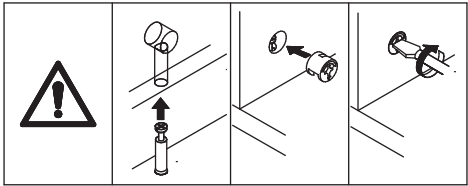
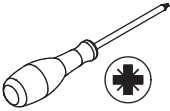
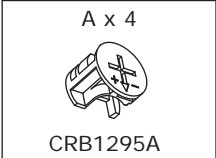
CRE0416A



Insert quickfit screw(B) into board 14 as shown. Fix knob(E) with screw(F).

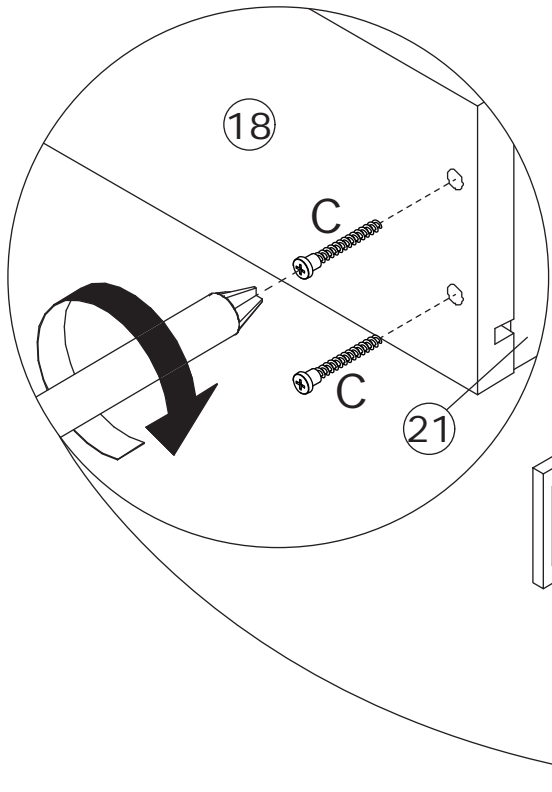
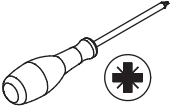


31

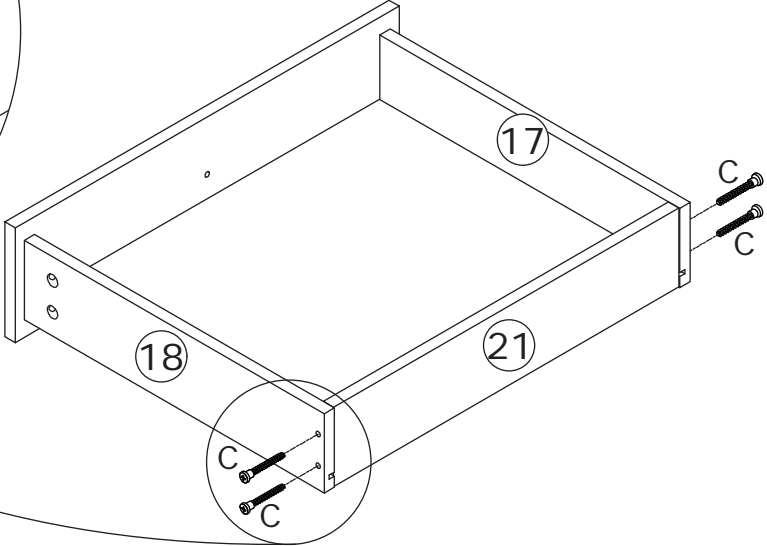


Attach board 14 to board 17 and 18, add cam lock(A) and turn clockwise to tighten as shown. Insert board 24 along grooves as shown.

32



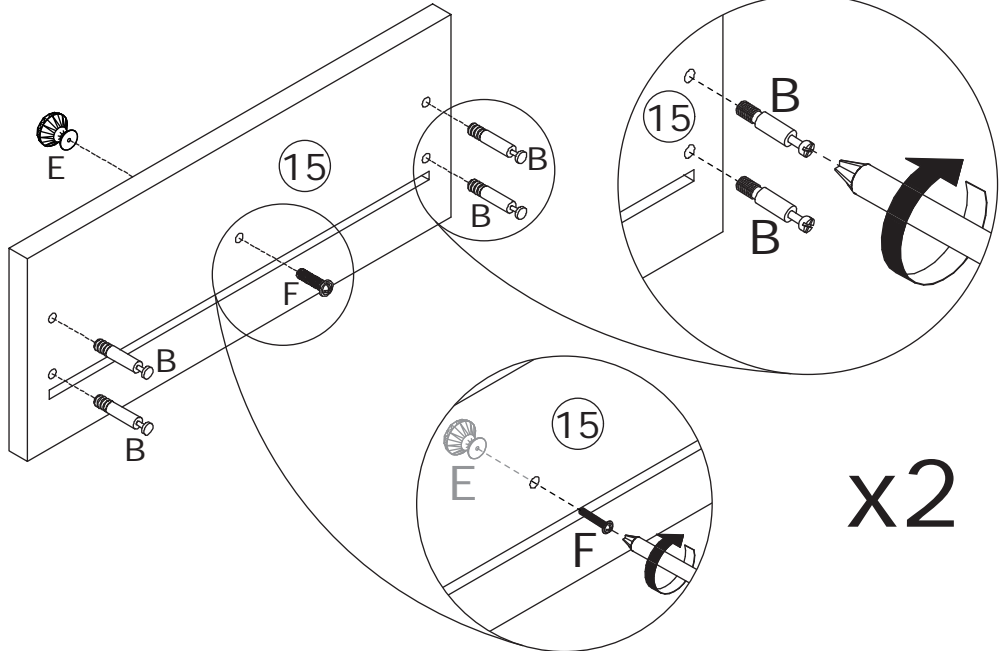
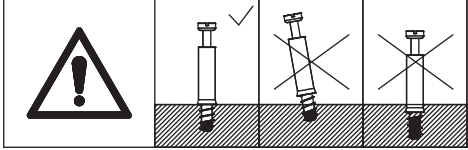
Fix board 21 to board 17 and 18 with screw(C) as shown.



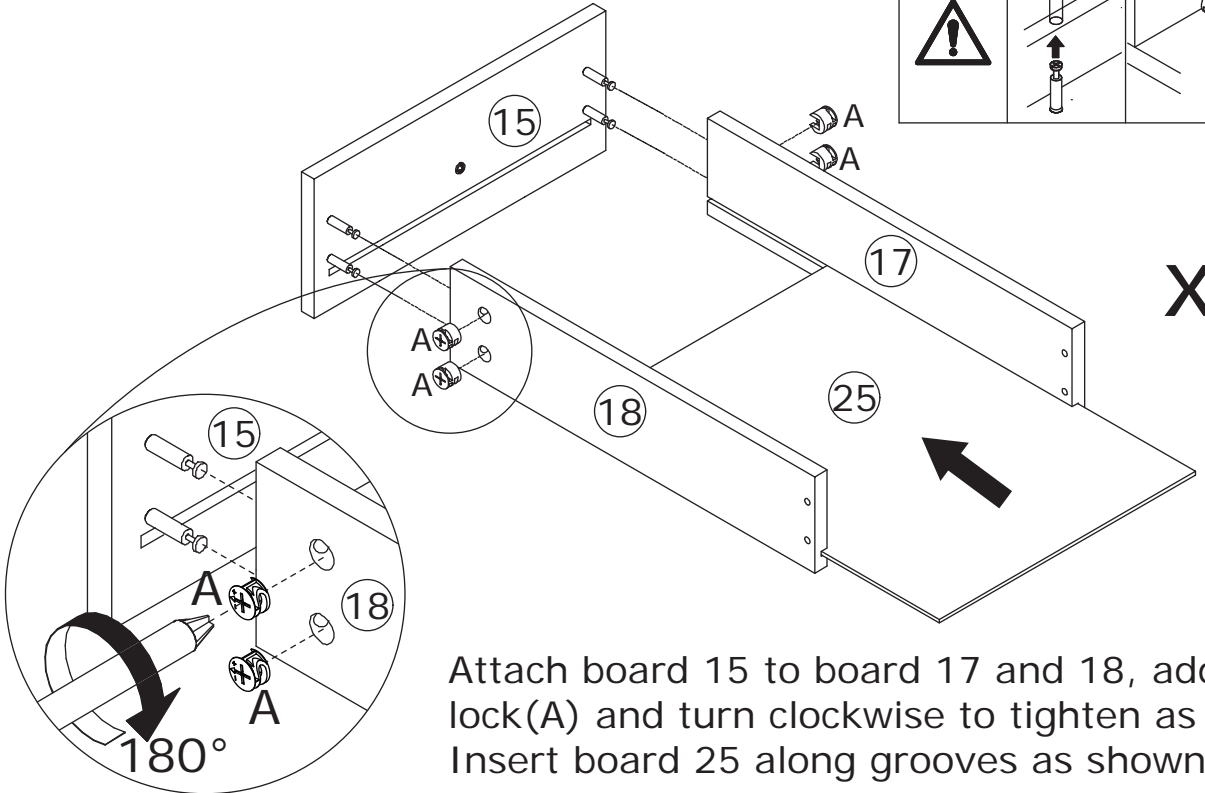
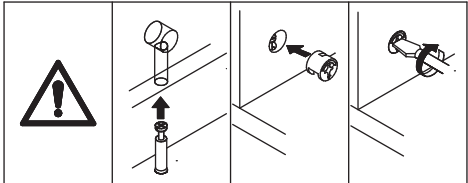
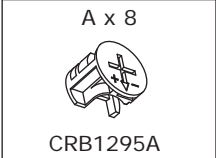
33



Insert quickfit screw(B) into board 15 as shown.  
Fix knob(E) with screw(F).

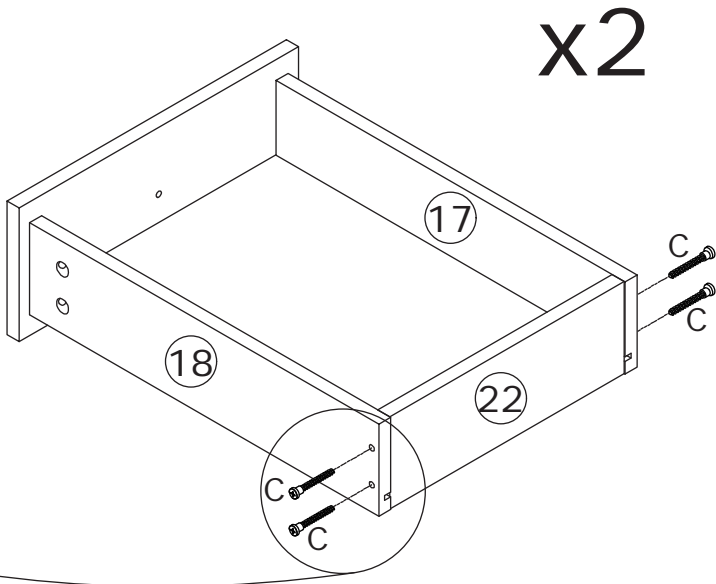
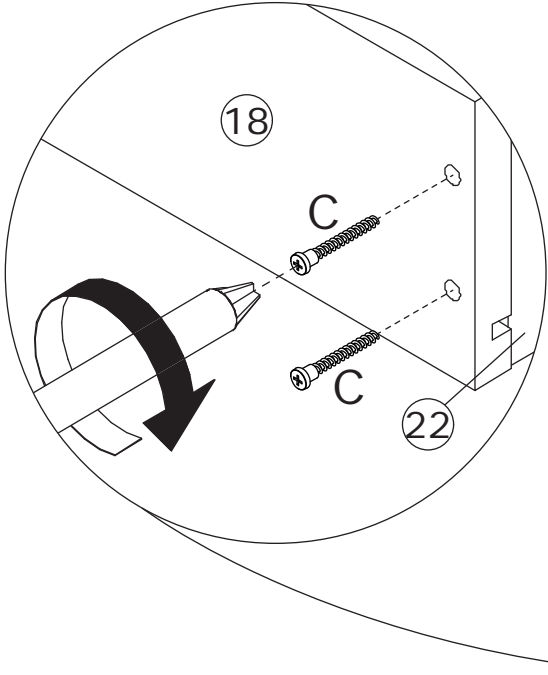
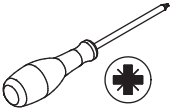


34



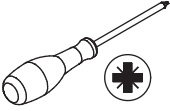
Attach board 15 to board 17 and 18, add cam lock(A) and turn clockwise to tighten as shown.  
Insert board 25 along grooves as shown.

35

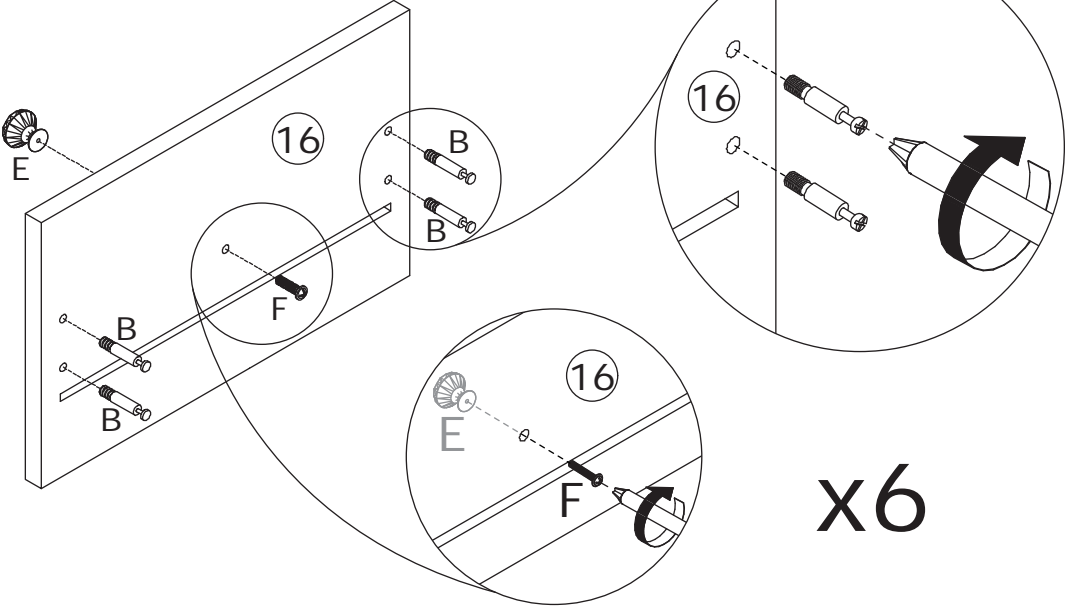
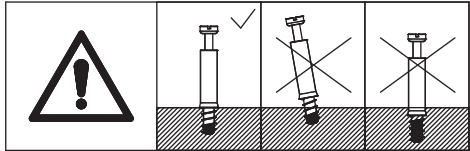


Fix board 22 to board 17 and 18 with screw(C) as shown.

36

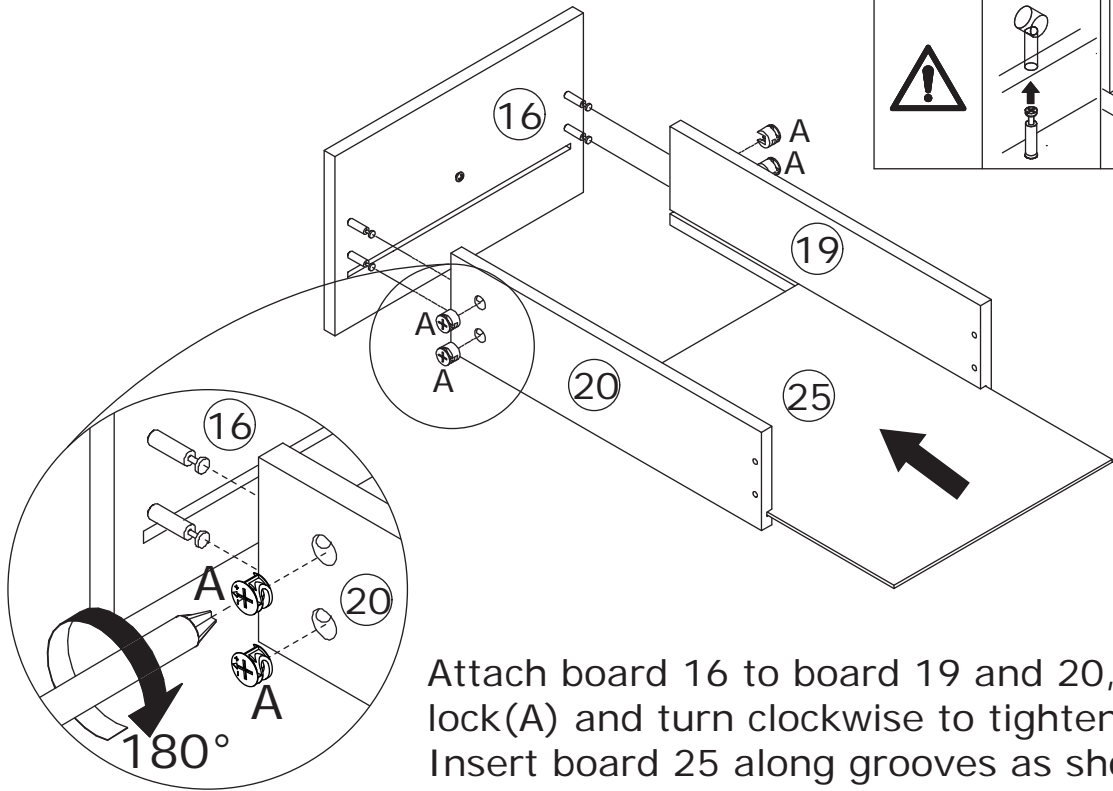
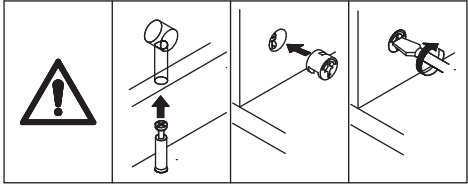
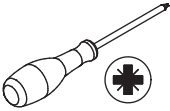


Insert quickfit screw(B) into board 16 as shown.  
Fix knob(E) with screw(F).



37

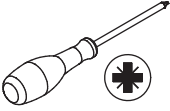
A x 24  
CRB1295A



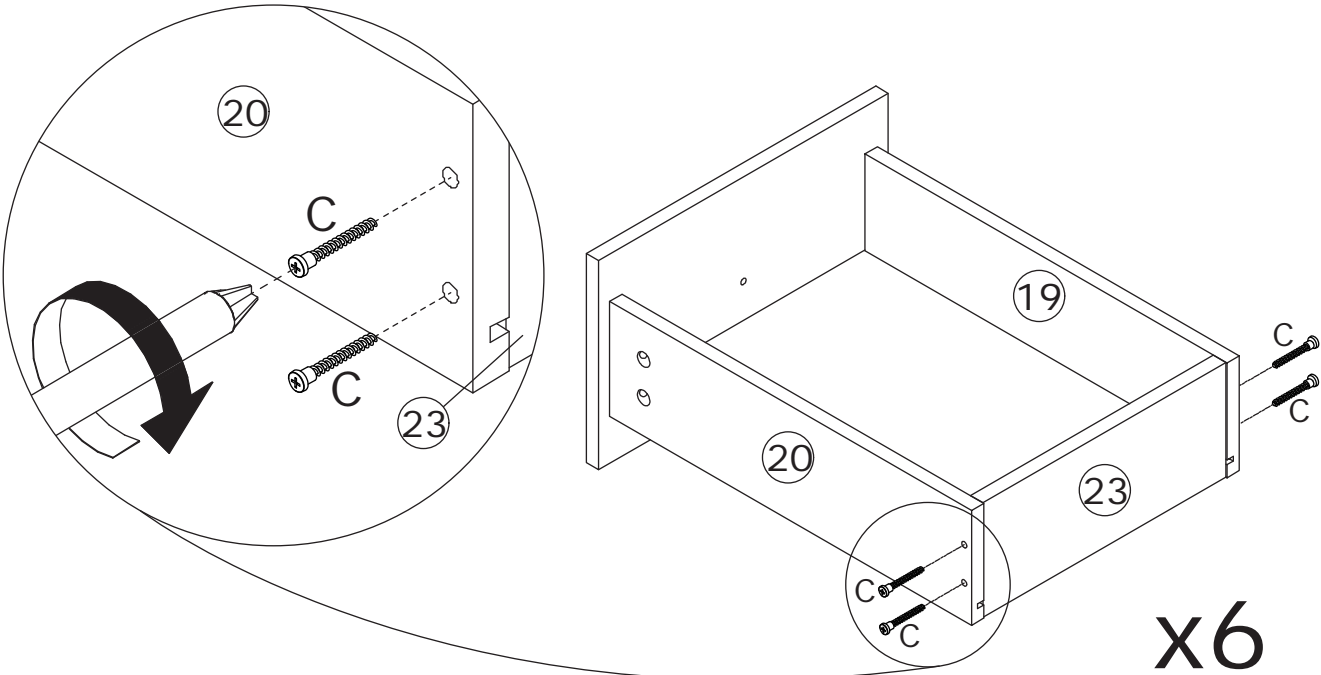
Attach board 16 to board 19 and 20, add cam lock(A) and turn clockwise to tighten as shown. Insert board 25 along grooves as shown.

38

C x 24  
CRC0540A

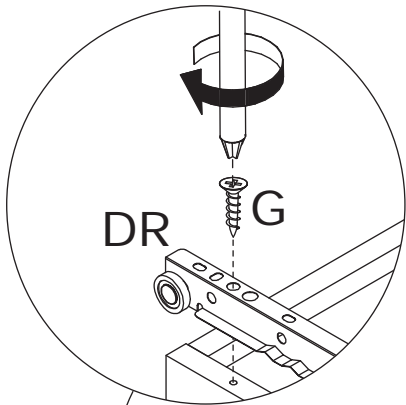
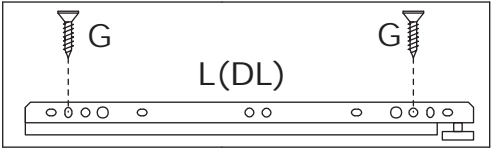
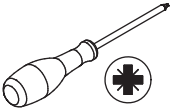
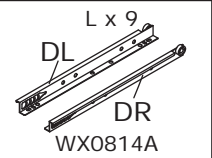


Fix board 23 to board 19 and 20 with screw(C) as shown.

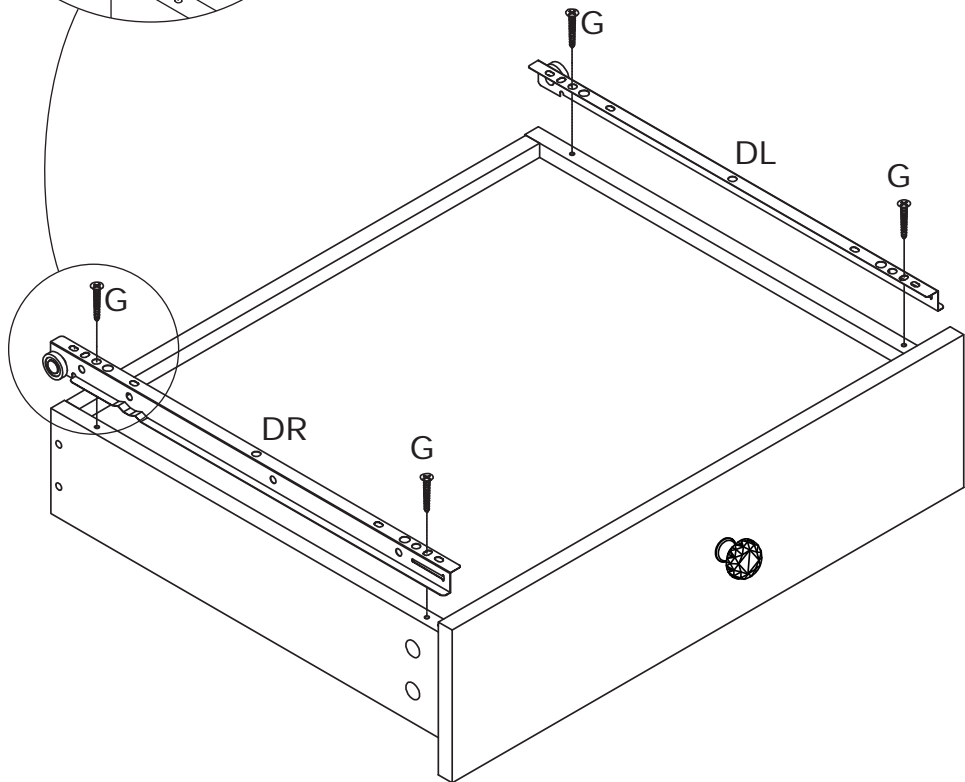




39



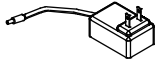
Fix runner(L) to all drawers with screw(G) as shown.



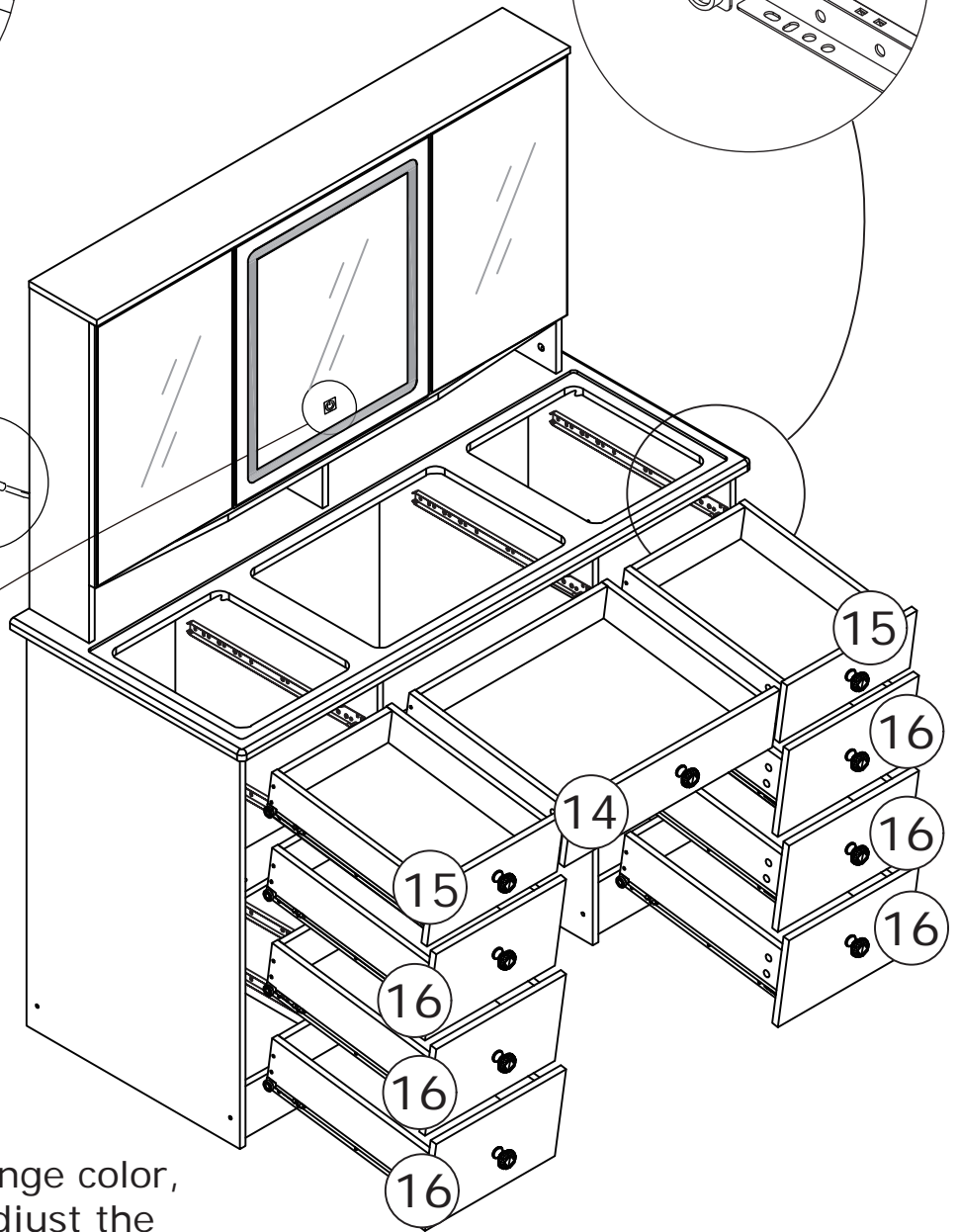
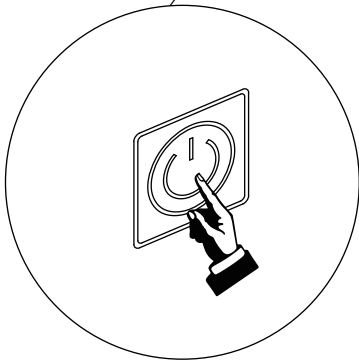
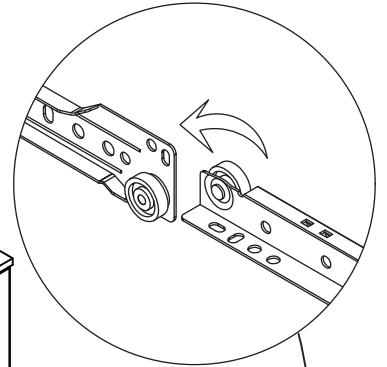
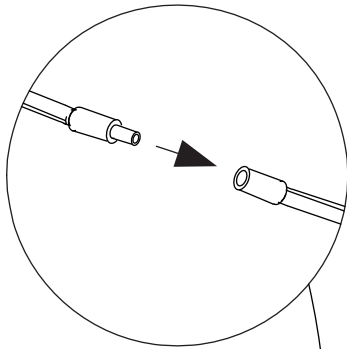
x9

40

Power plug x 1



Align rails, slide all drawers into corresponding positions.  
Connect the power cable with light connectors.



Touch lightly to change color,  
press and hold to adjust the  
brightness.

# WARRANTY

## WARRANTY CLAIMS

- There is a 30-day warranty for broken furniture or any other problems that do not work properly. The warranty will start from the date of purchase which must be verified by proof of purchase.
- Before making a claim, we may be able to answer your query, simply call us. Please leave your purchase order number, along with some details of the problem, if you want a replacement part. We will arrange within 48 hours. If there is out of stock, we will reply with a shipping date.
- The product must be used in accordance with the instructions provided. For health reasons.
- For other reasons, if the furniture needs to be returned, it must be cleaned and dried and operated within 30 days of receipt.

## Type of Warranty Claim

- Failure to follow the furniture instructions will invalidate the warranty. Attention please.
- Does not include damage during installation, but includes damage during transportation.

## Scope of responsibility

- Shall not bear any responsibility for misuse or user damage and / or loss of parts during the installation of furniture.
- After using, the damage and scratches of the furniture are not covered by the warranty.

## The Warranty Relates to All Bought in The Us and Covers The Following Areas

- Sheet parts: 1 month from the date of purchase.
- Electrical parts: 1 month from the date of purchase.

# RETURNS

## CHANGED YOUR MIND AND NEED TO RETURN YOU ITEM?

### PLEASE FOLLOW THE BELOW INSTRUCTIONS:

- If you have purchased and have simply changed your mind, follow the retailer's instructions for returns.

### DEFECTIVE ITEMS

- If your item is defective in any way, i.e. it doesn't work but you can't identify why, in the first instance, please call us.

### DAMAGED ITEMS

- If you receive an order with obvious shipping damage from the retailer, then we suggest the delivery is refused. If the delivery has been accepted and then shipping damage is found, please follow the specific instructions advised by the retailer.  
In all circumstances please save all packaging material and paperwork for the order. Please be aware that if you dispose of packaging material or attempt to return the merchandise without contacting the fulfiller, you jeopardise your chances of making a claim, and you may not receive a credit for the return.

### AFTER-SALES CONTACT

