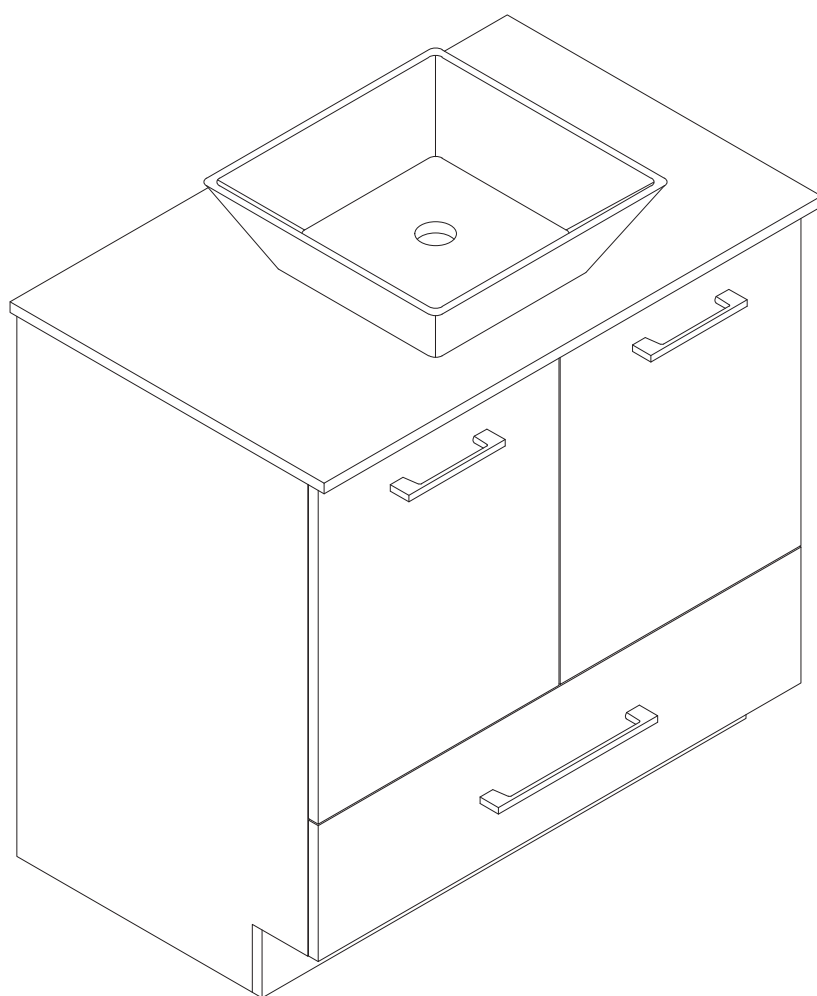
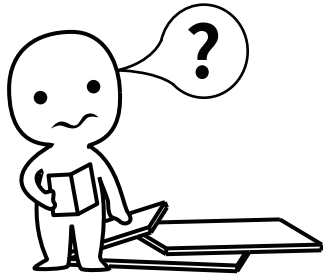


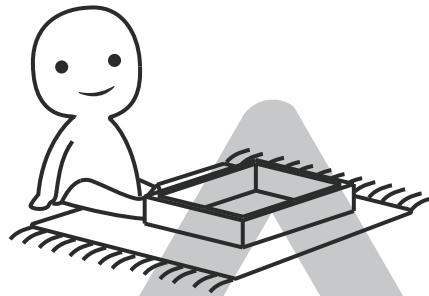
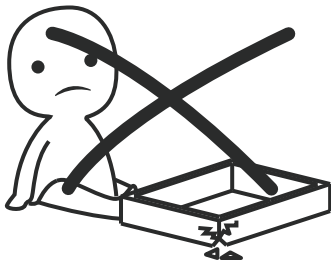
Bathroom Vanity





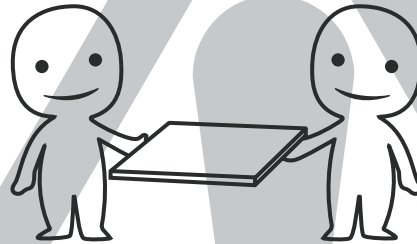
IMPORTANT INFORMATION!

please read the entire manual before starting to assemble and/or using this product. follow the manual thoroughly and keep it for further reference.



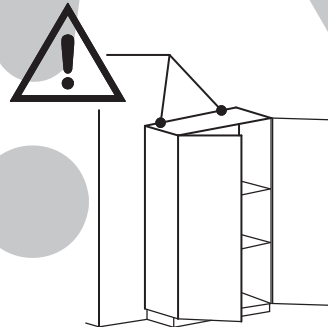
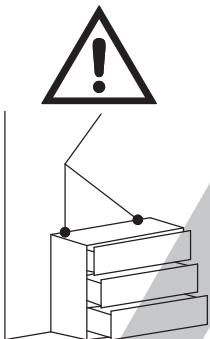
AVOID SCRATCHES!

In order to avoid scratching this furniture should be assembled on a soft layer - could be a rug.



IMPROVE EFFICIENCY !

Try to find a partner to install with you, which can speed up the installation efficiency and shorten the time.



ANTI-TOPPLE WARNING !

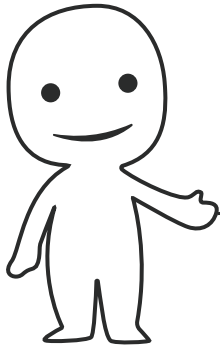
Overturned furniture can cause serious or fatal crush injuries. To prevent tipping over, be sure to use the wall attachment, if not included with this product. Please purchase the wall attachment that fit your wall. If unsure, seek professional advice. Please read and follow each step of the instructions carefully.

IMPORTANT !

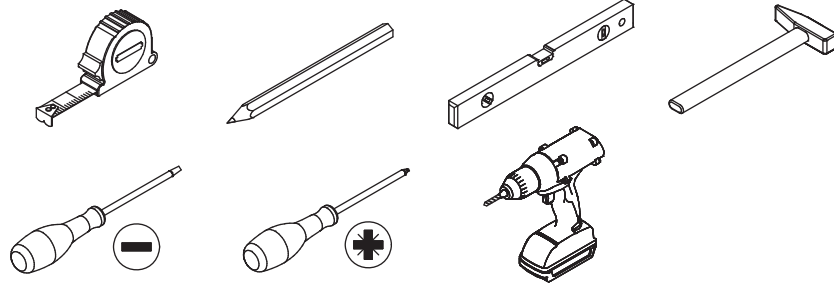
It is important that any product which is assembled using any kind of screw is re-tightened 2 weeks after assembly, and once every 3 months - in order to assure stability throughout the lifespan of the product.

For regular maintenance and cleaning of the product, for the frame, please use a rag dipped in neutral detergent to fully wipe it, and then dry it with a clean rag. For glass materials, wipe with a rag dampened with water glass cleaner, and then dry with a dry rag.

Do not use an electric screwdriver, and do not use too much force when installing, because the board is easy to break.



Please prepare the following tools



When installing, please carefully confirm whether each screw corresponds to the manual, accessories with similar shapes can be distinguished by size

<p>A x 17</p> <p>Ø M6 x 35 mm</p>	<p>B x 17</p> <p>Ø 15 x 12 mm</p>	<p>C x 14</p> <p>Ø 8 x 30 mm</p>	<p>D x 28</p> <p>Ø M4 x 12 mm</p>
<p>E x 2</p>	<p>F x 34</p> <p>Ø M4 x 14 mm</p>	<p>G x 2</p> <p>Ø 13.7" 2 SET</p>	<p>H x 4</p> <p>Ø 35</p>
<p>I x 6</p> <p>Ø M4 x 18 mm</p>	<p>J x 5</p> <p>Ø M4 x 35 mm</p>	<p>K x 2</p> <p>Ø 8 x 40 mm</p>	<p>L x 2</p> <p>Ø 16</p>
<p>M x 2</p> <p>Ø M6 x 60 mm</p>	<p>N x 2</p>	<p>O x 1</p>	

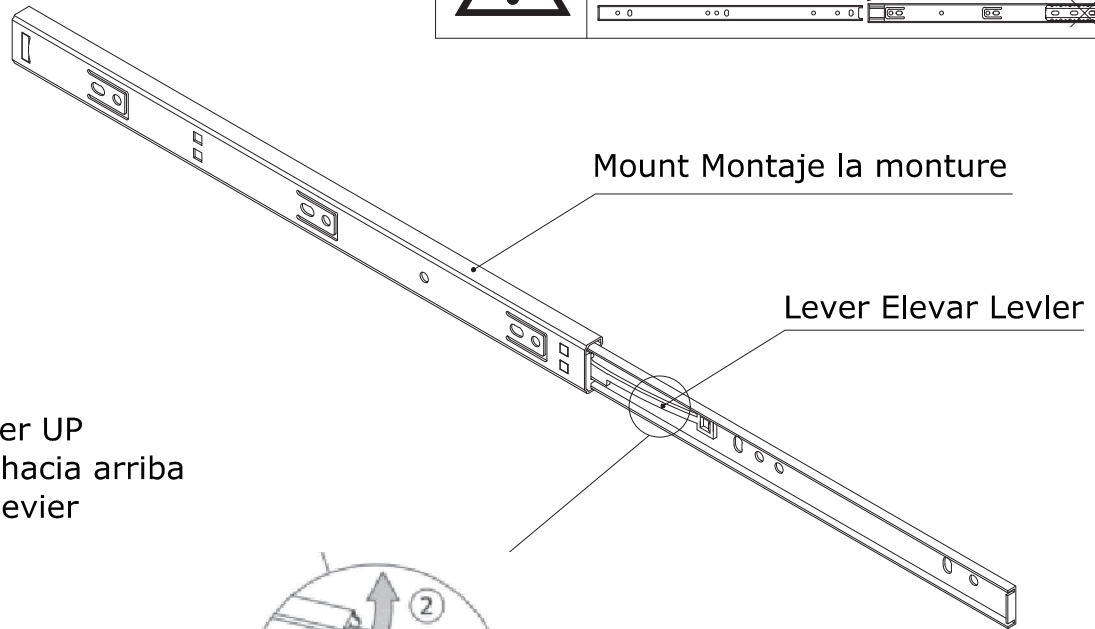
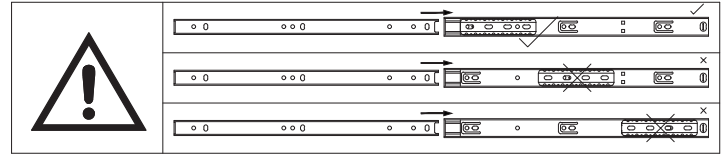
**Slides Must Be Separated Before Assembly.
After Separated, Set Aside Until Needed for Assembly.**

Las diapositivas deben separarse antes del montaje.
Después de la separación, déjelo a un lado hasta que sea necesario.

Les glissières doivent être séparées avant l'assemblage.
Après la séparation, mettez de côté jusqu'au moment de l'assemblage.

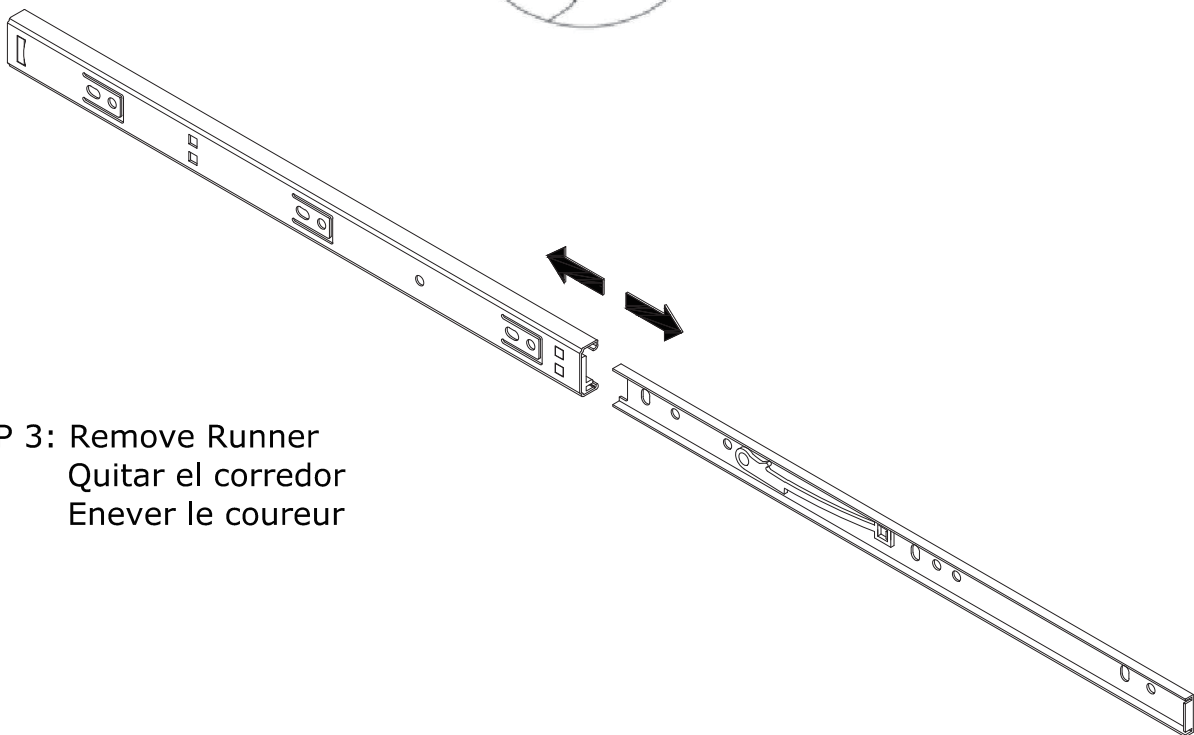
**Pay attention when connecting !
The sliding module must be at the front end.**

STEP 1 : Extend Slide
Extender la diapositiva

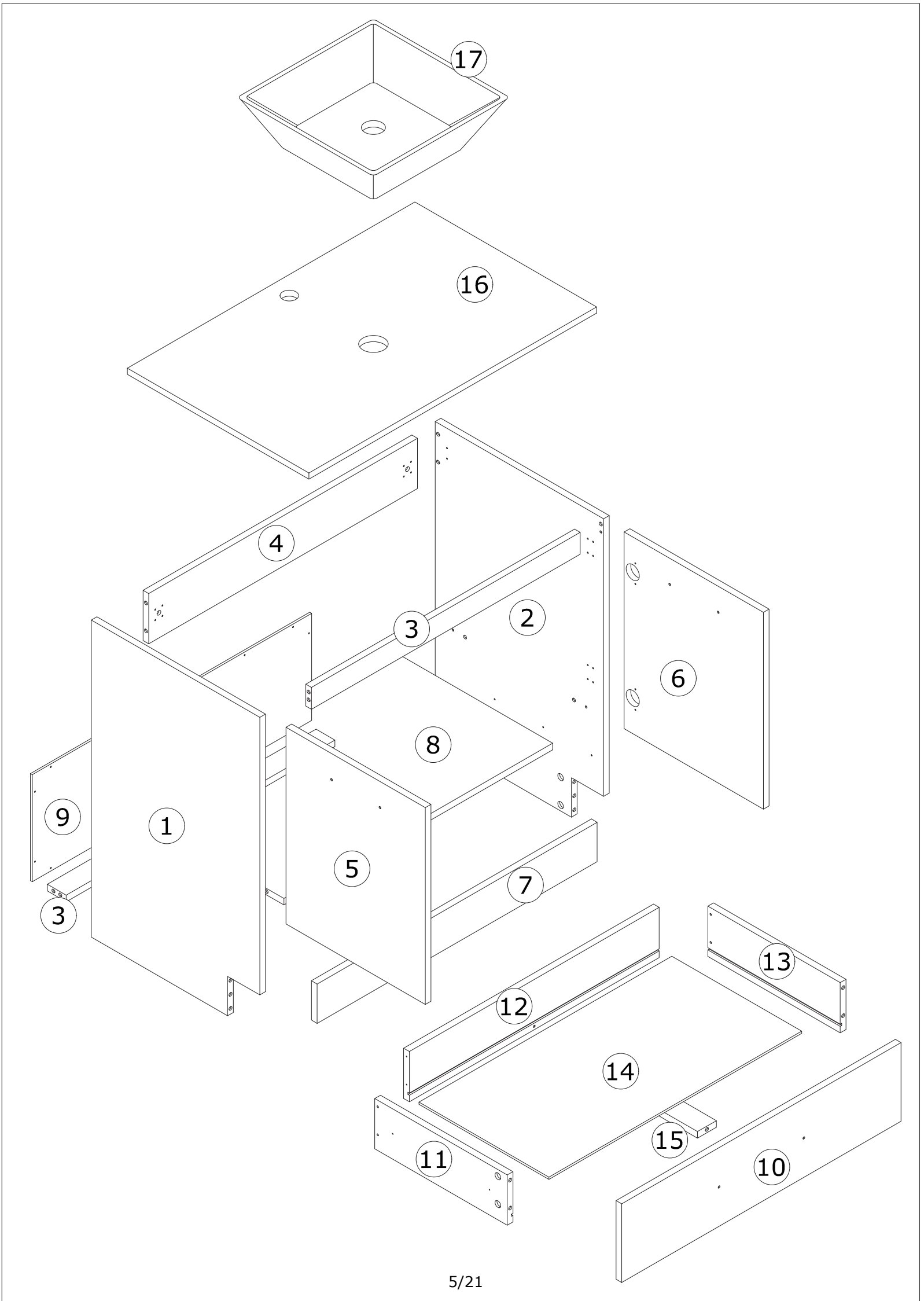


STEP 2: Push Lever UP
Empujar hacia arriba
Lever le levier

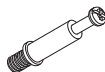

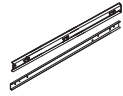
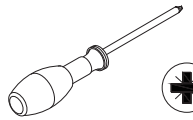

**Push lever for the left of drawer ,
press the lever for the right of drawer.**

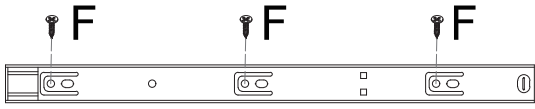


STEP 3: Remove Runner
Quitar el corredor
Enever le coureur

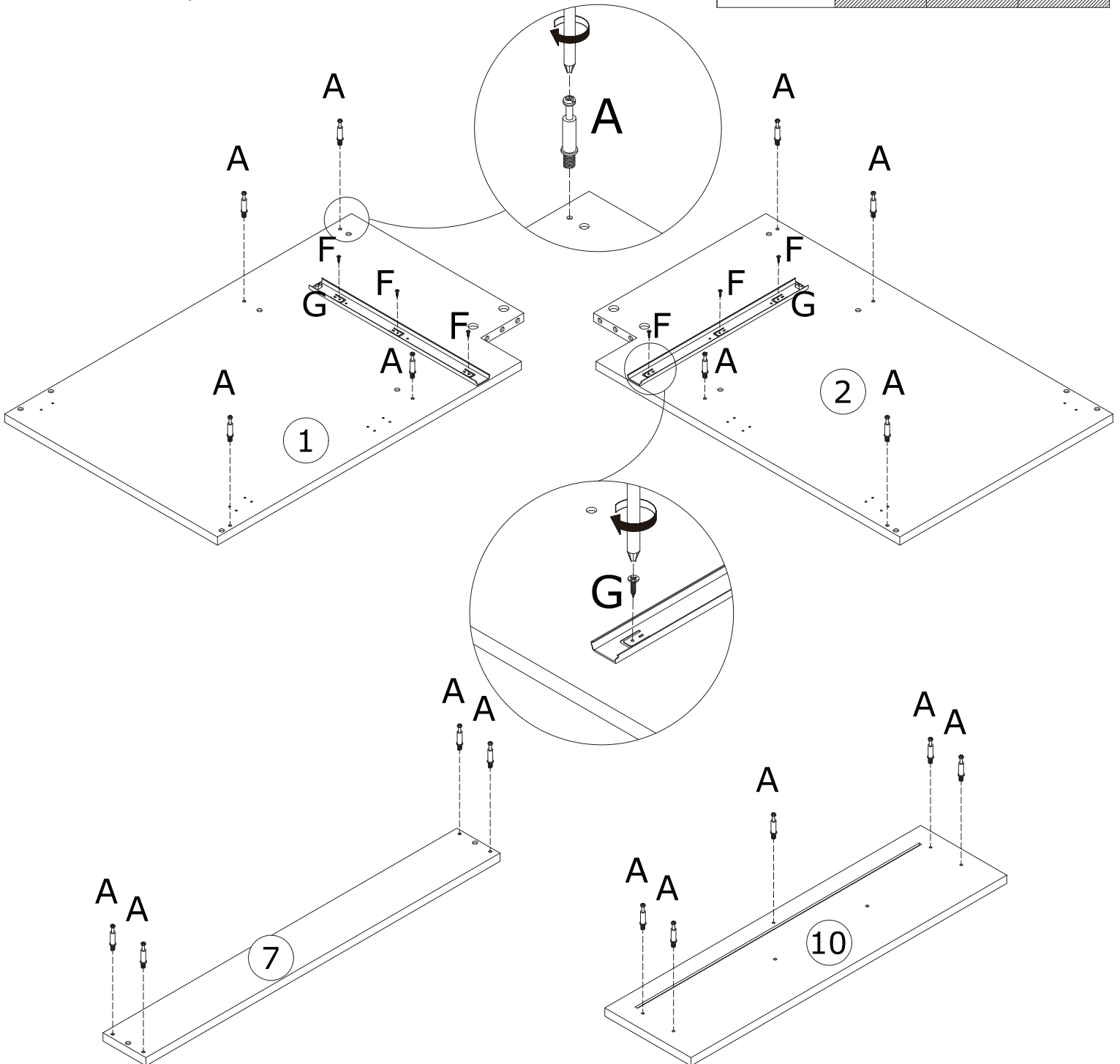
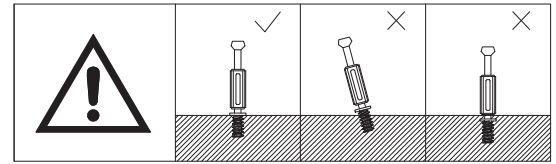


1

A x 17  M6 x 35mm	F x 6  M4 x 14mm	G x 2  13.7" 2 SET	 
--	---	---	---



back section of part G



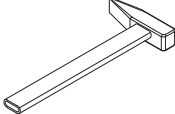
Separate glide into two parts.


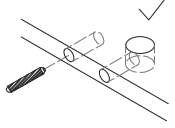
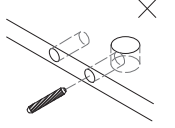

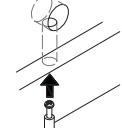
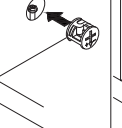

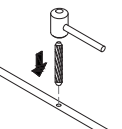
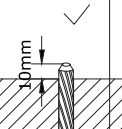



Insert quickfit screw (A) into plate 1,2,7,10 with a screwdriver as shown.

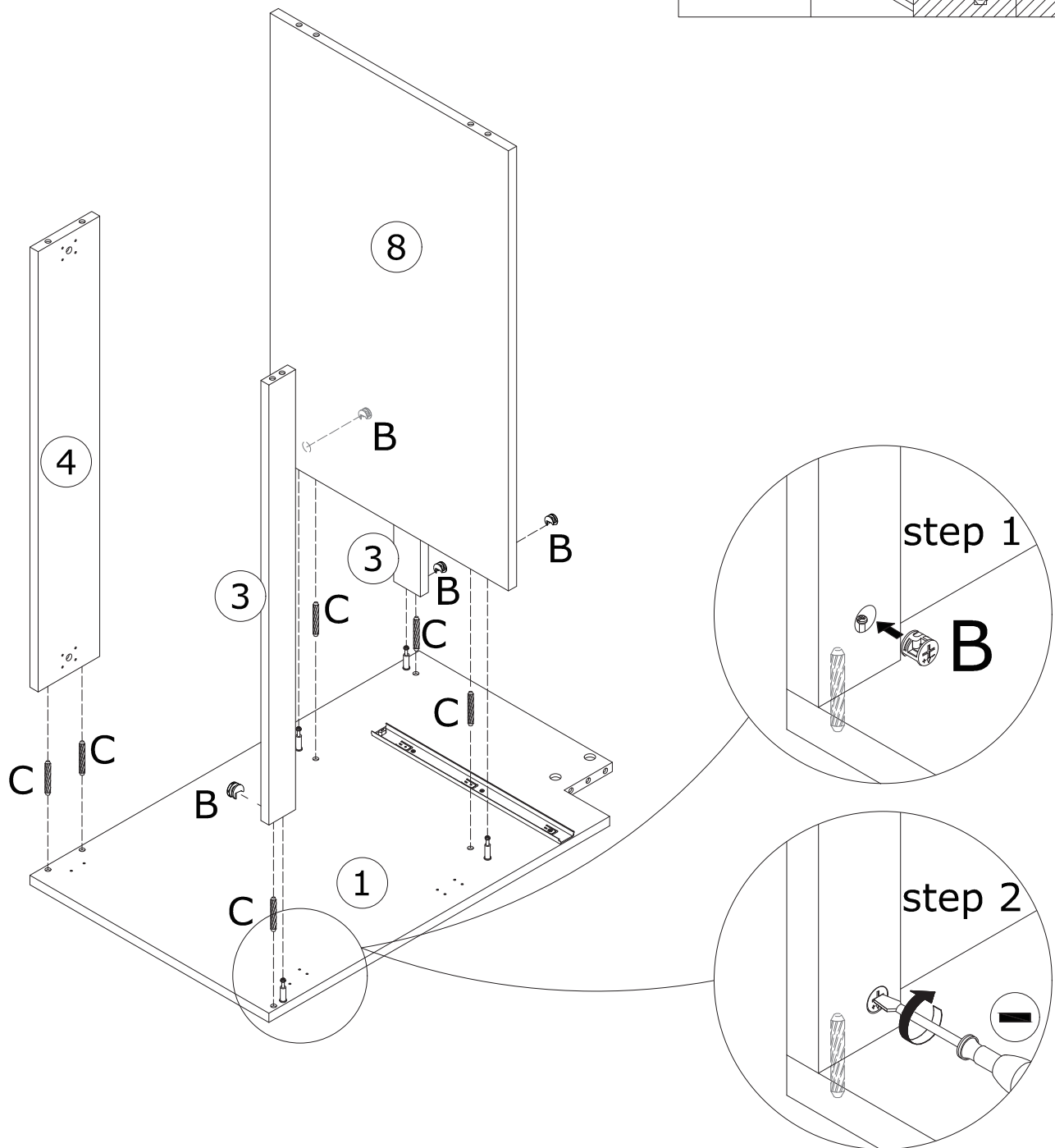
Fix slide rail(G) to plate 1 and 2 with screw(F) as shown.

Please pay attention to the holes where the accessories are inserted.

2

<p>B x 4</p>  <p>Ø15 x 12mm</p>	<p>C x 6</p>  <p>Ø8 x 30mm</p>	 
--	---	---

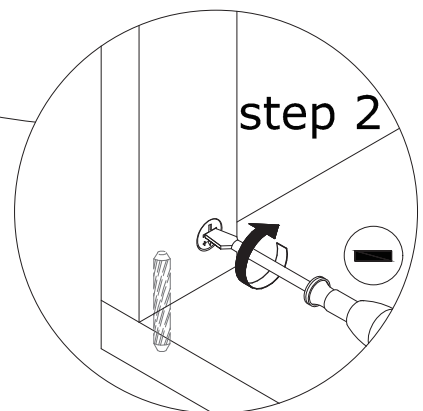
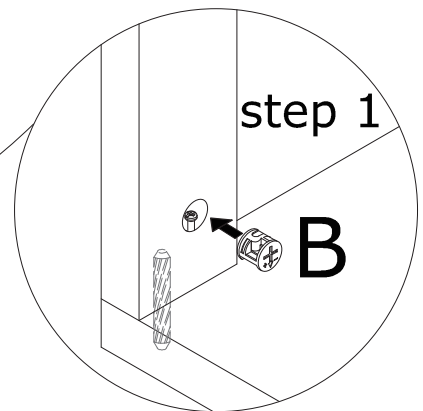
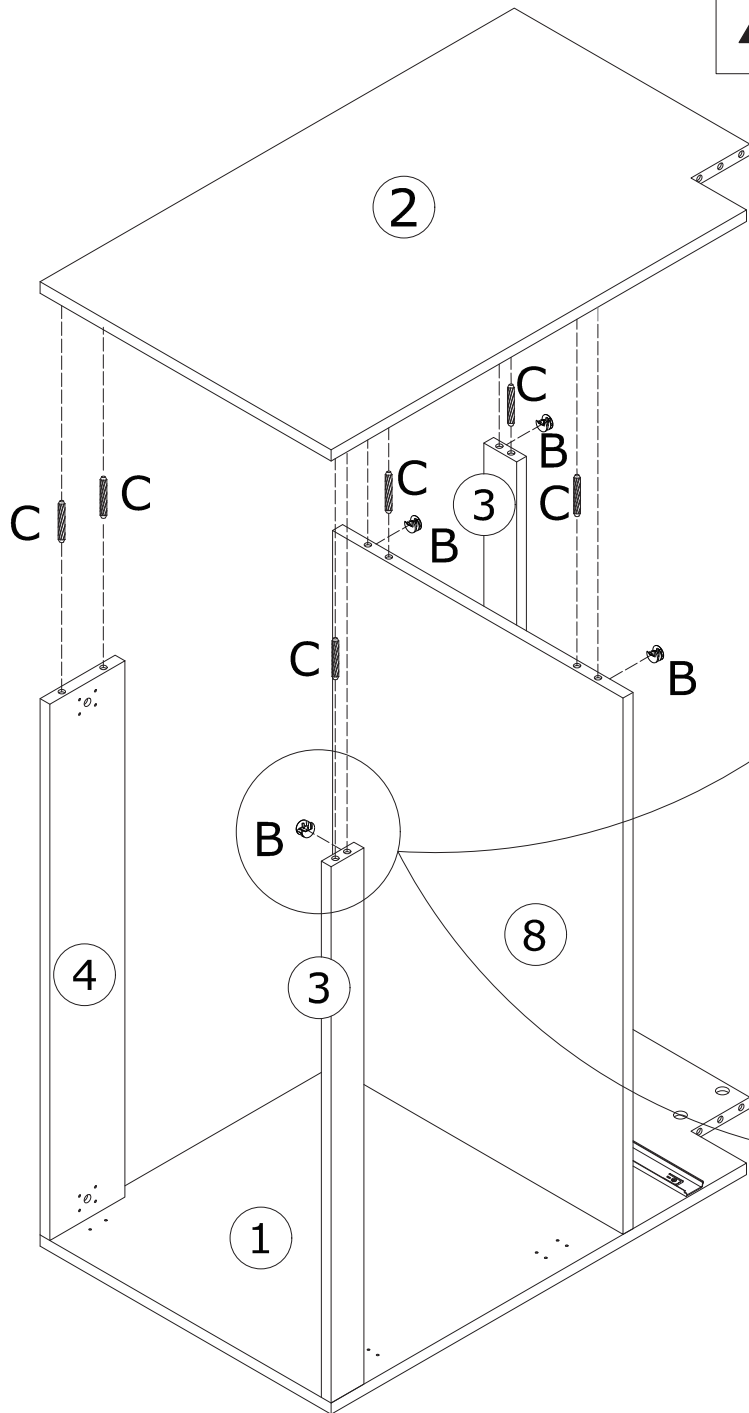
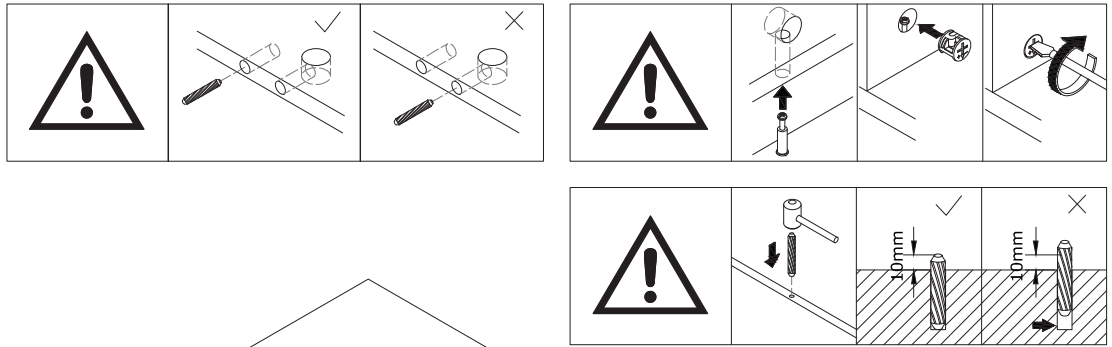
		
		
		
		



Attach plate 3(x2),4,8 to plate 1 with wooden dowel(C) and turn cam locks(B) clockwise to tighten as shown.

3

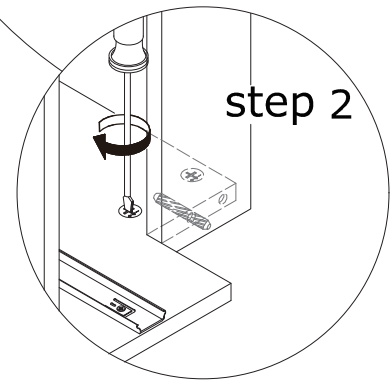
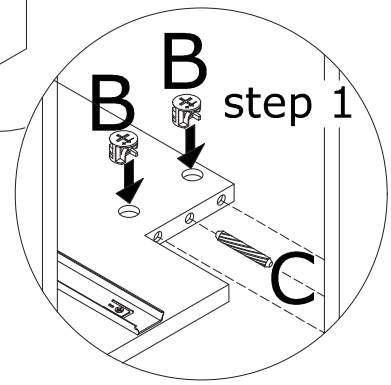
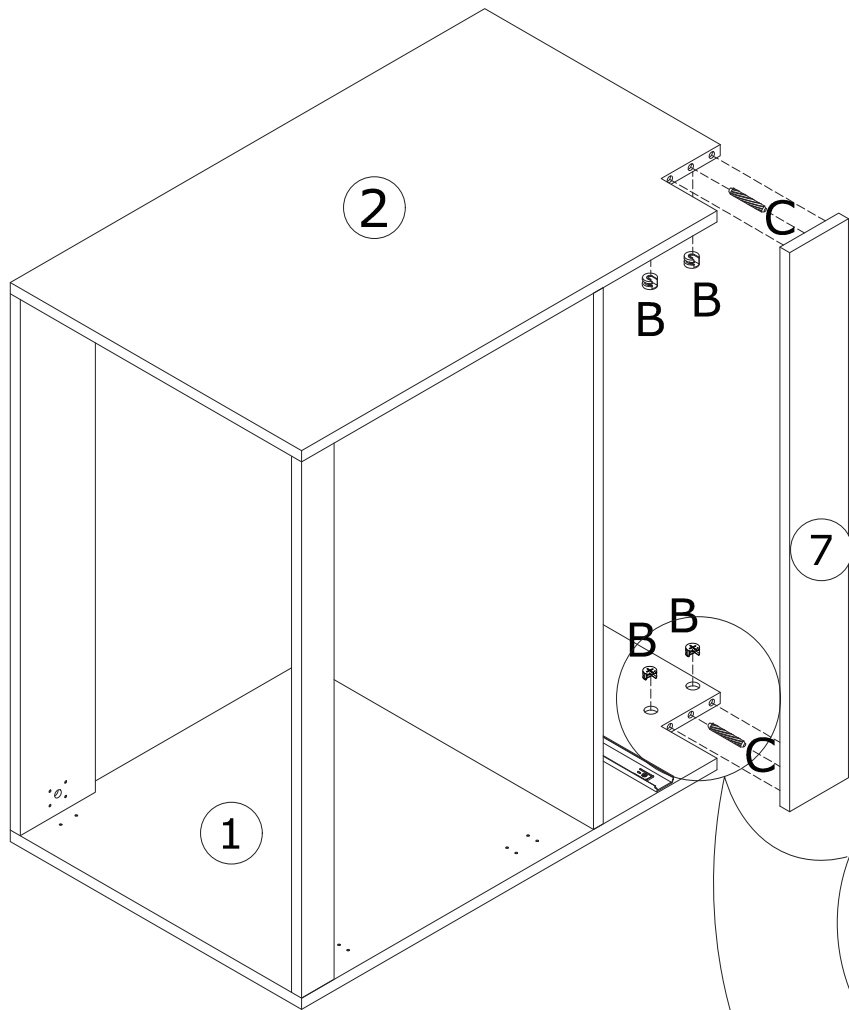
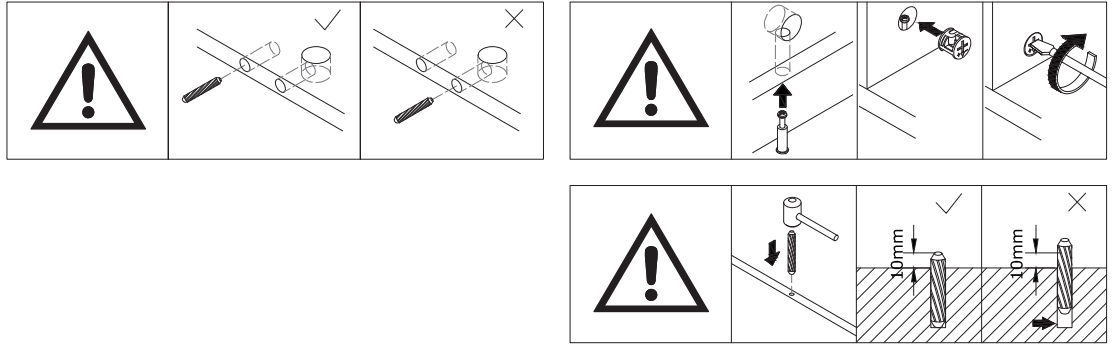
<p>B x 4</p>  <p>Ø15 x 12mm</p>	<p>C x 6</p>  <p>Ø8 x 30mm</p>	 
--	---	---



Cover plate 2 to the component with wooden dowel(C) and turn cam locks(B) clockwise to tighten as shown.



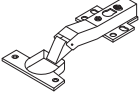
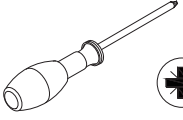

4

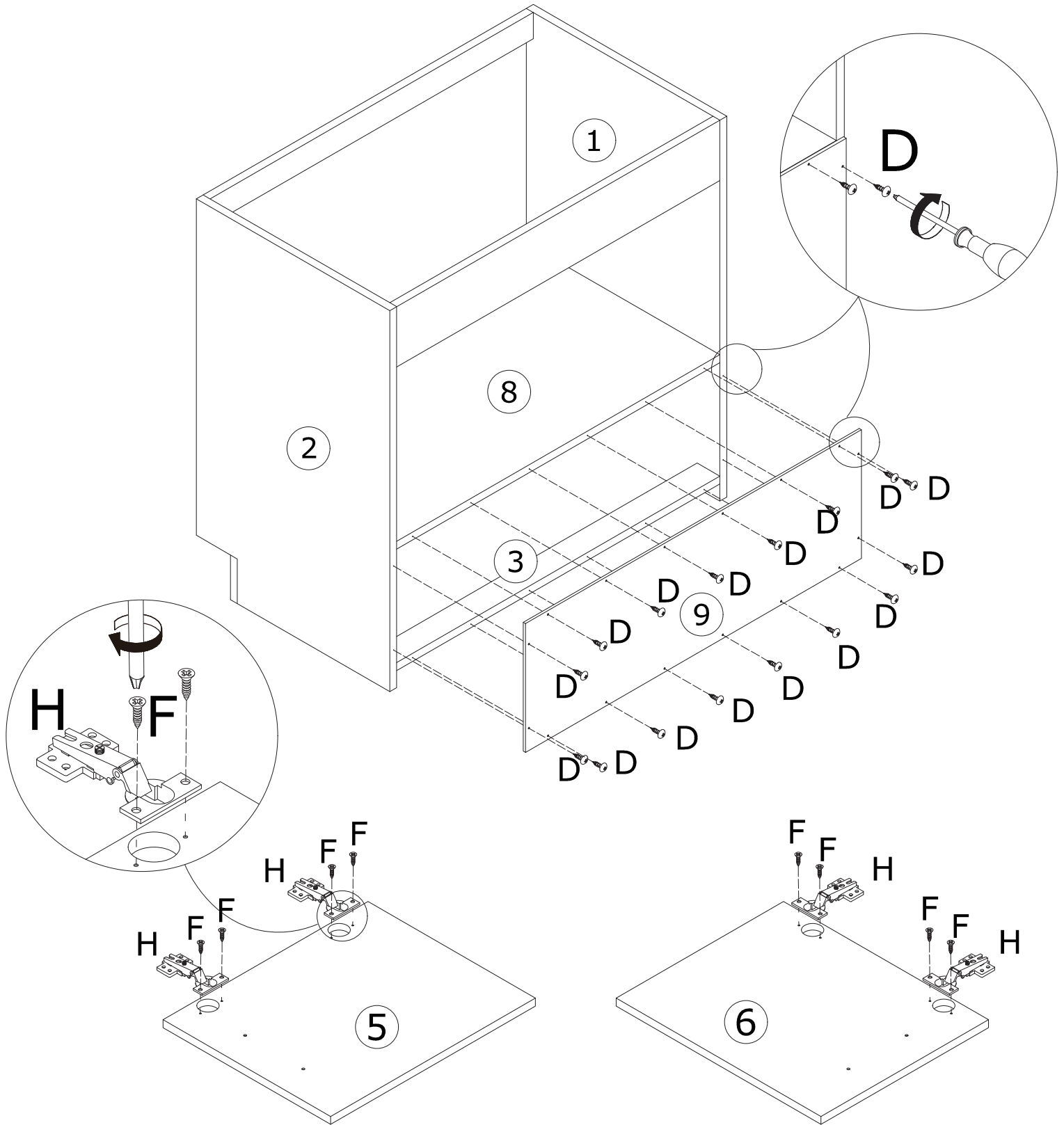
<p>B x 4</p>  <p>Ø15 x 12mm</p>	<p>C x 2</p>  <p>Ø8 x 30mm</p>	 
--	---	---



Attach plate 7 to plate 1 and 2 with wooden dowel(C) and turn cam locks(B) clockwise to tighten as shown.


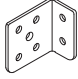

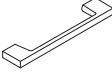
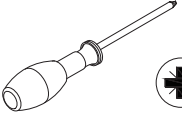

5

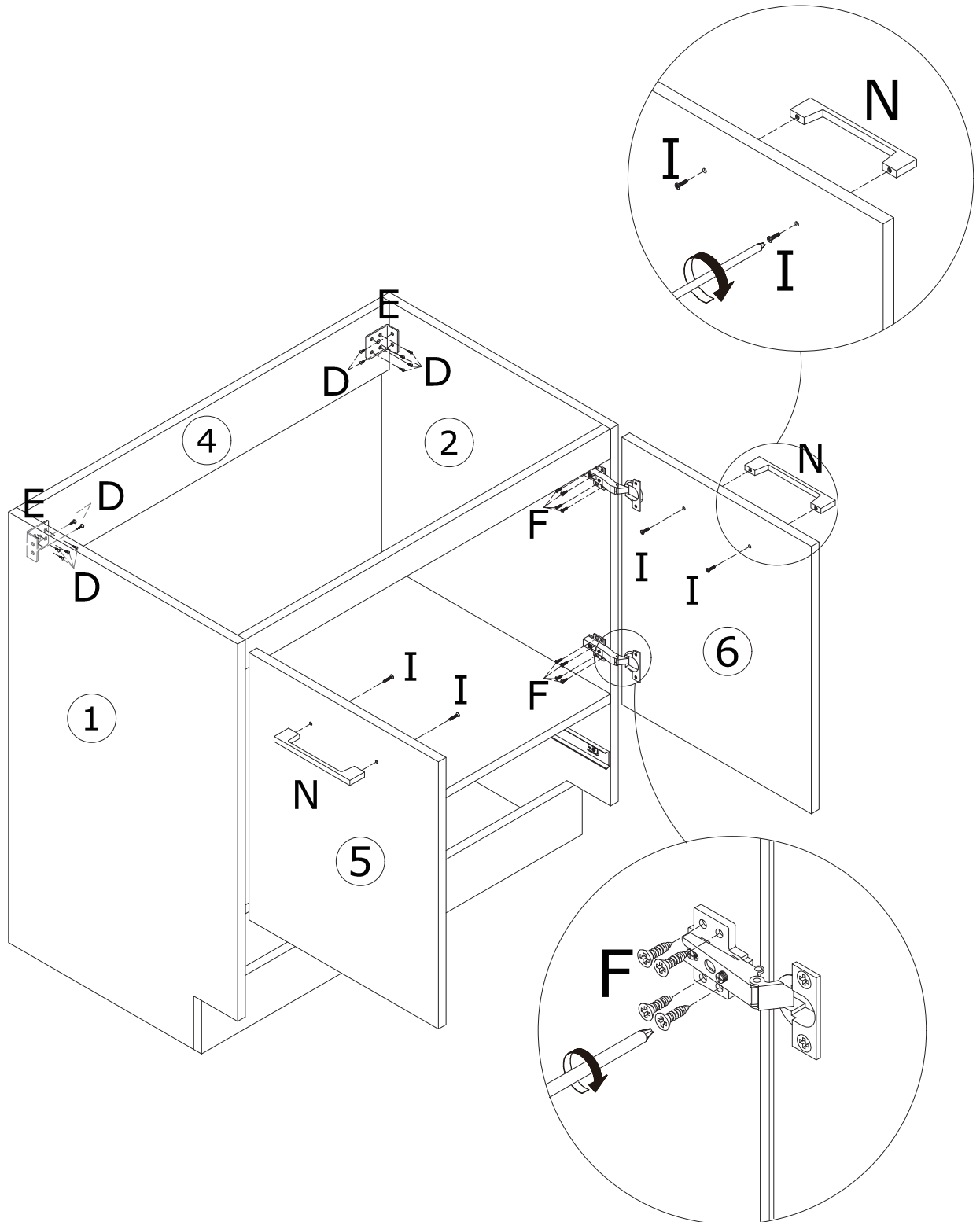
D x 16  M4 x 14mm	F x 24  M4 x 14mm	H x 4  Ø35	 
--	--	---	---



Fix back plate 9 with screw(D) as shown.
Fix hinge(H) to plate 5 and 6 respectively with screw(F) as shown.
Please don't use an electric screwdriver or use force to rotate, may cause crack.

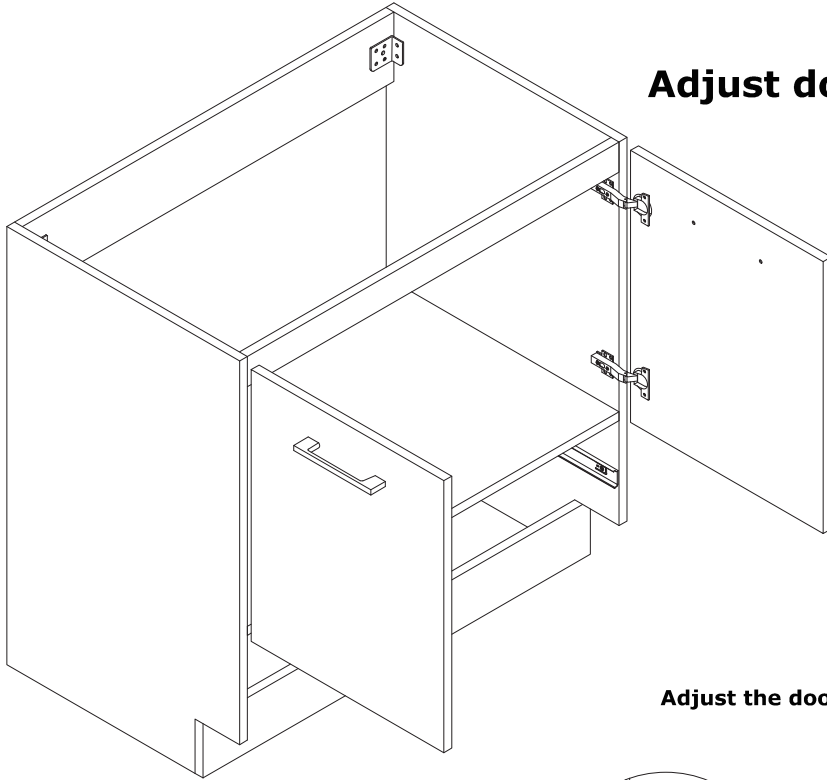
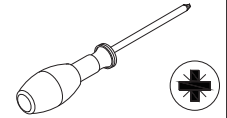
6

D x 12  M4 x 14mm	E x 2 	I x 4  M4 x 18mm	N x 2 	 
--	--	---	---	---



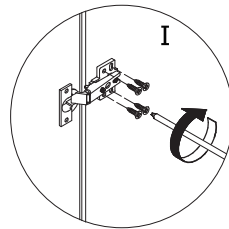
Attach plate 5 and 6 to plate 1 and 2 by fixing hinge with screw(F) as shown.
Please don't use an electric screwdriver or use force to rotate, may cause crack.
Fix handle(N) to plate 5 and 6 with screw(I).
Fix part(E) to plate 1,2,4,with screw(D) as shown.

7

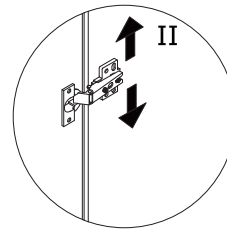


Adjust door following the direction.

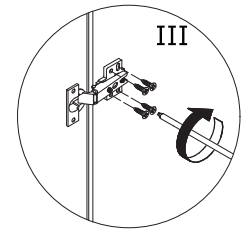
Adjust the door up and down to match the cabinet.



I:loosen the screw.



II:Adjust the upper and lower position.

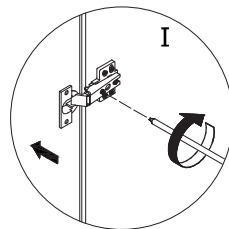


II:tighten the screw.

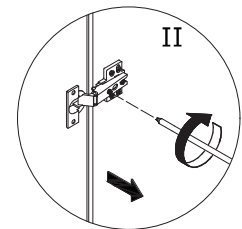


When the door position is not standard, please adjust the door according to the right picture.

Adjust the door left and right to match the cabinet for suitable crack of the door



I:loosen the screw to keep hinge apply force toward the direction of arrow.

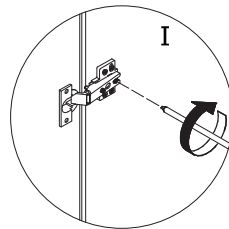


II:tighten the screw to keep hinge apply force toward the direction of arrow.

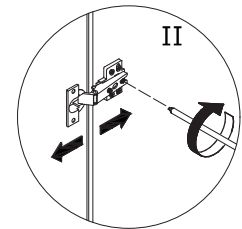


Please place the cabinet on the flat floor before adjustment.

Adjust the door backwards and forwards to match the cabinet.



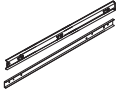


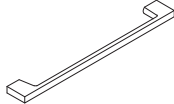


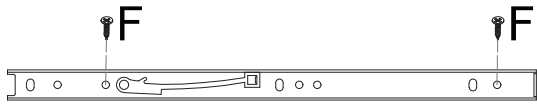
I:loosen the screw.



II:Adjust the distance between front and back.

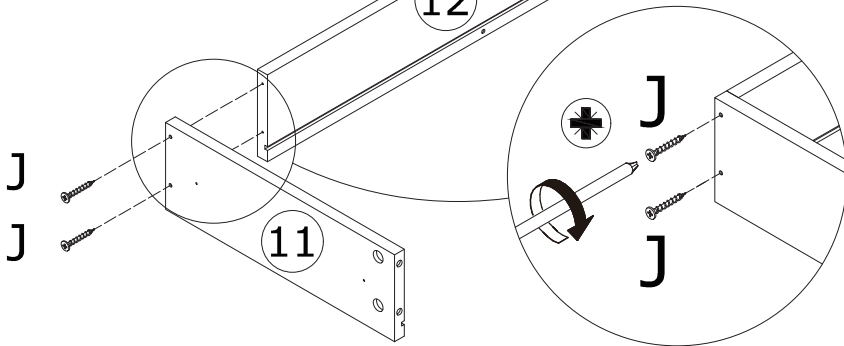
8

B x 5  Ø15 x 12mm	F x 4  M4 x 14mm	G x 2  13.7" 2 SET	I x 2  M4 x 18mm	J x 5  M4 x 35mm	O x 1 
--	---	---	---	---	--

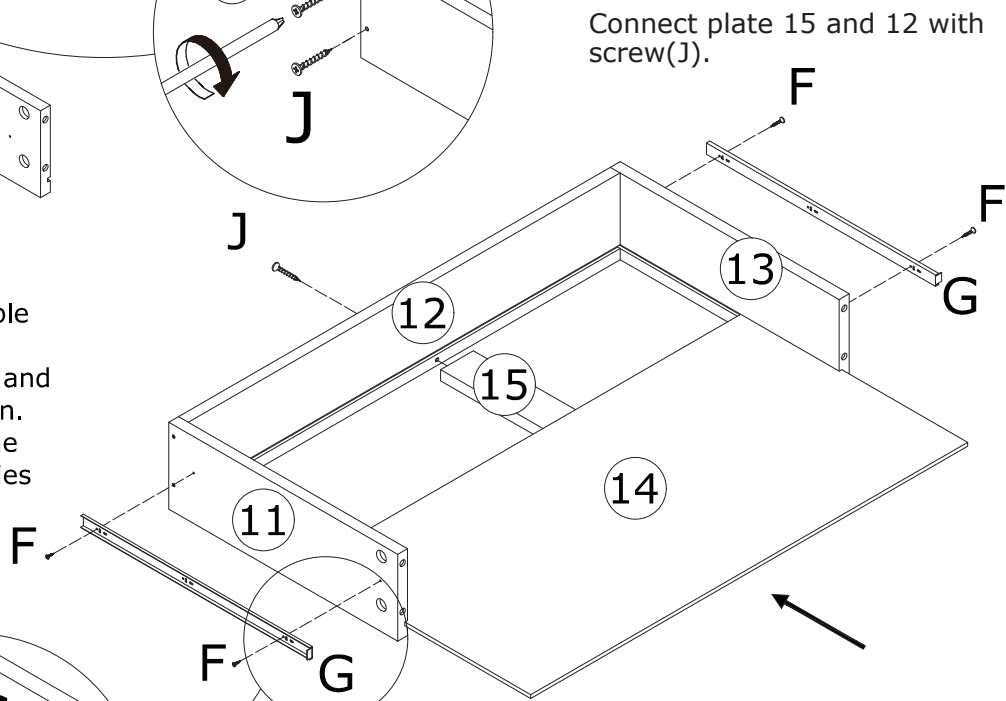


The front of the part G

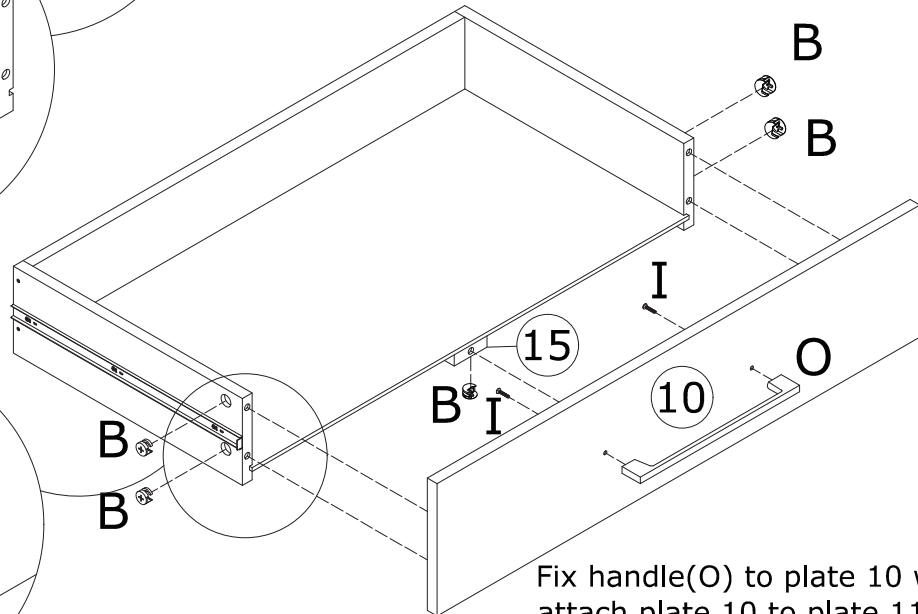
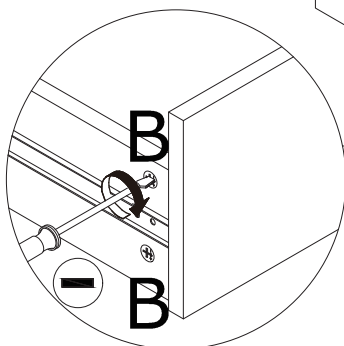
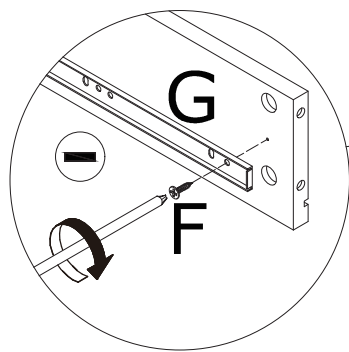
Attach plate 11,13 to plate 12 with screw(J) as shown.



Slide plate 14 into available slots as shown.
Fix runner(G) to plate 11 and 13 with screw(F) as shown.
Please pay attention to the holes where the accessories are inserted.

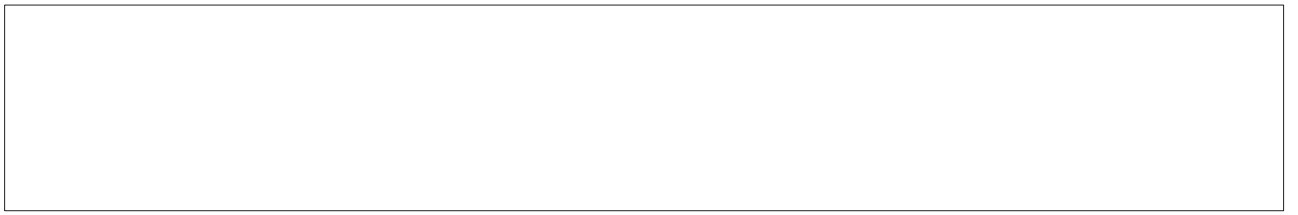


Connect plate 15 and 12 with screw(J).

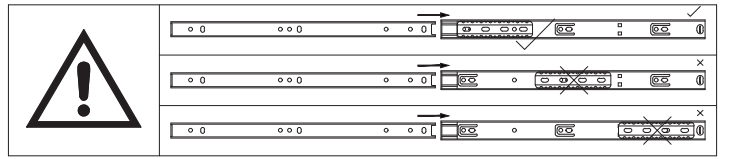


Fix handle(O) to plate 10 with screw(I), attach plate 10 to plate 11,13,15 and turn cam locks(B) clockwise to tighten as shown.

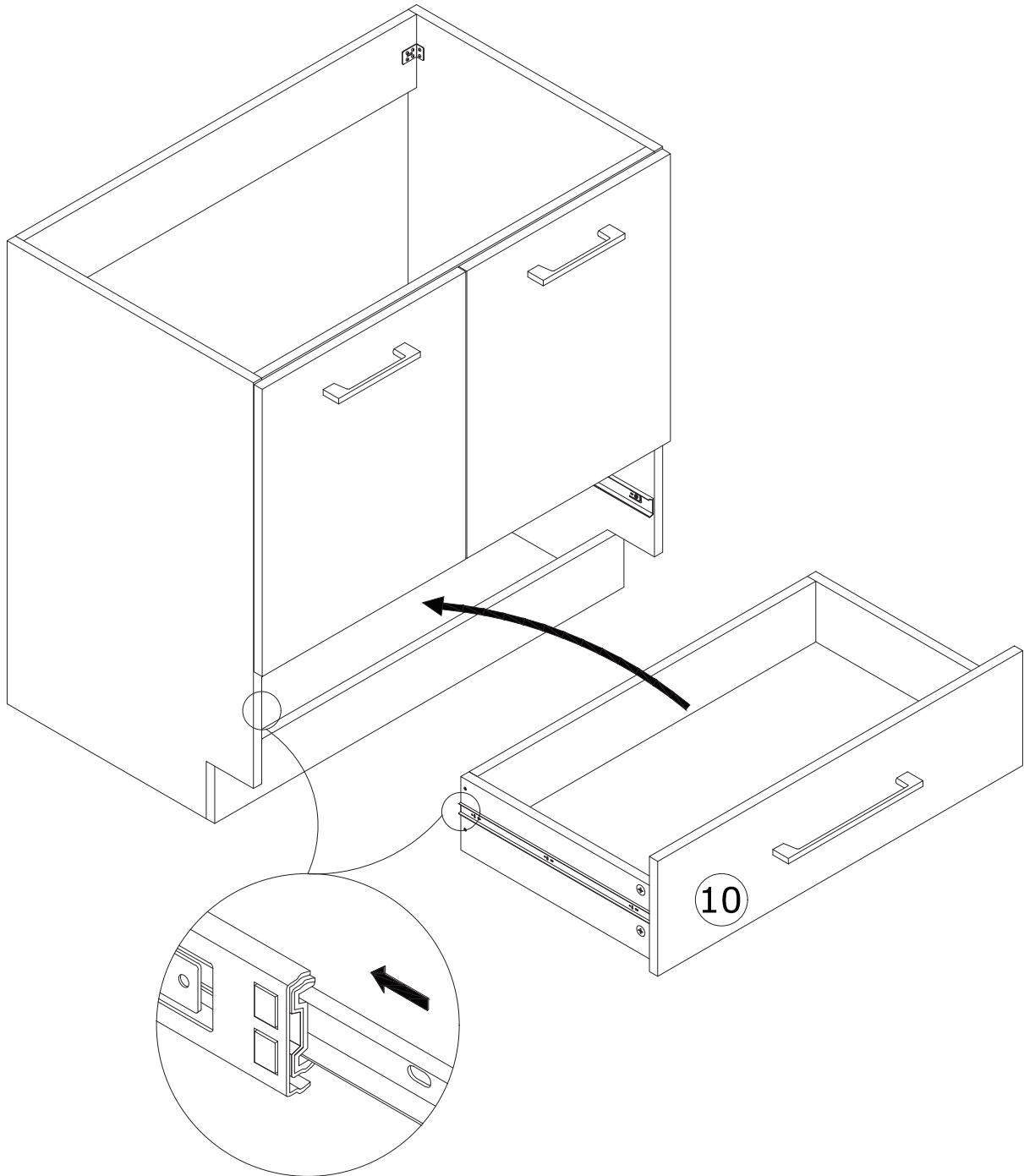
9



**Pay attention when connecting !
The sliding module must be at the front end.**

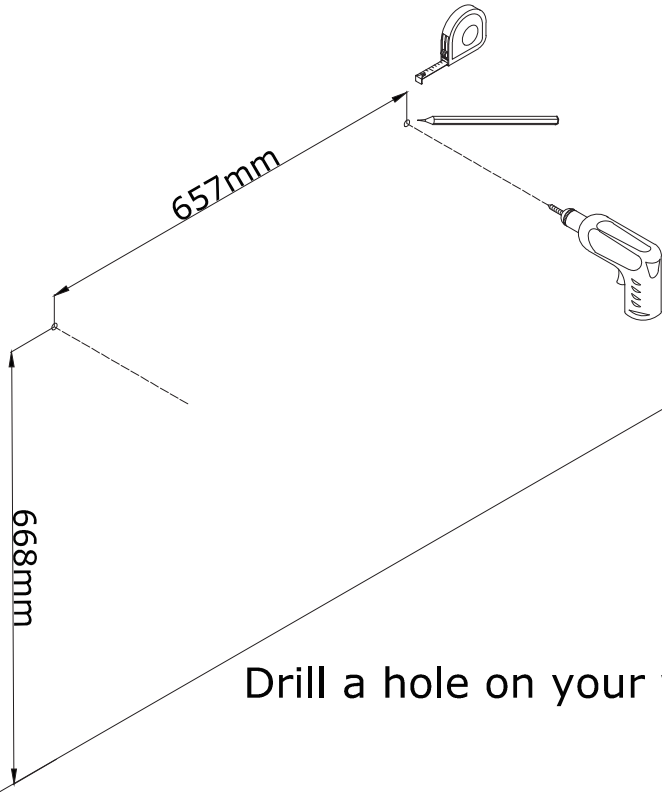
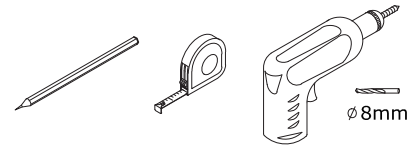


Align rails, slide the drawer.



An Assistant is required

10



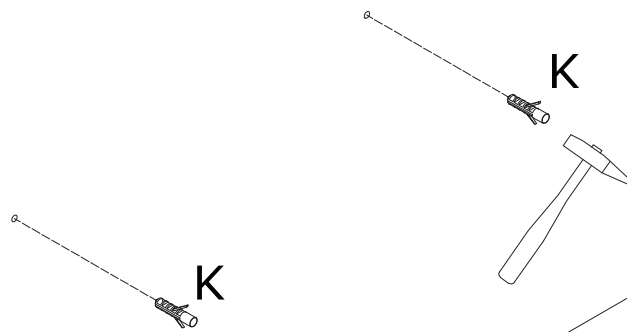
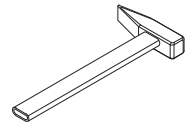
Drill a hole on your wall as shown.

11

K x 2



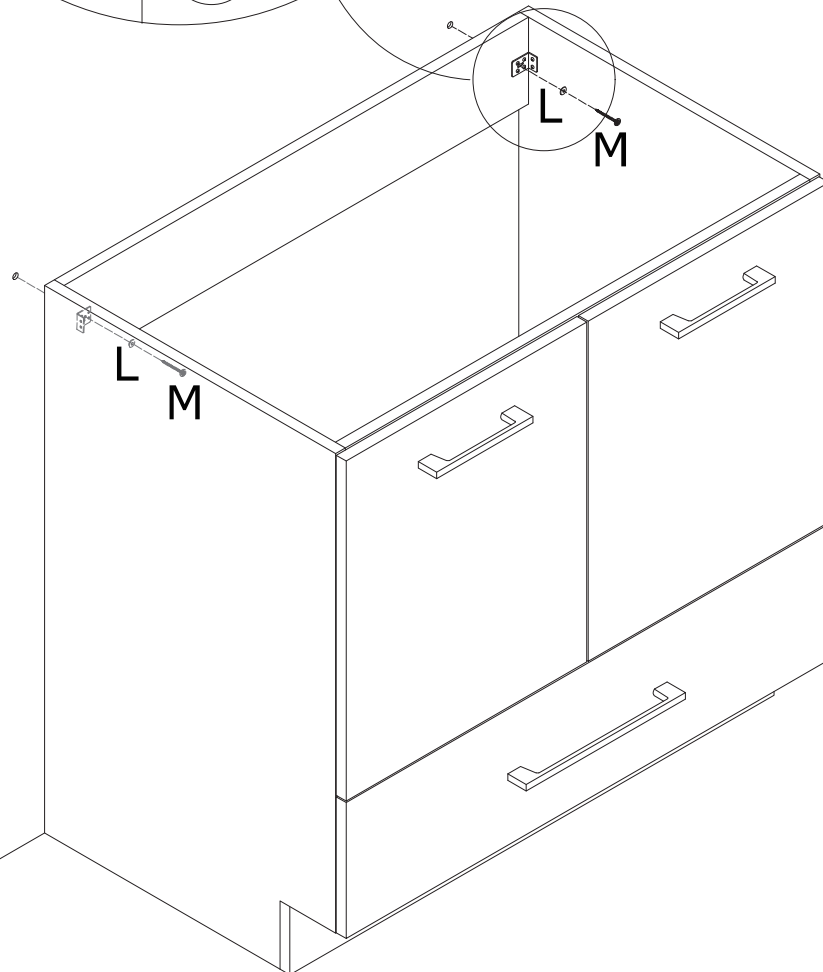
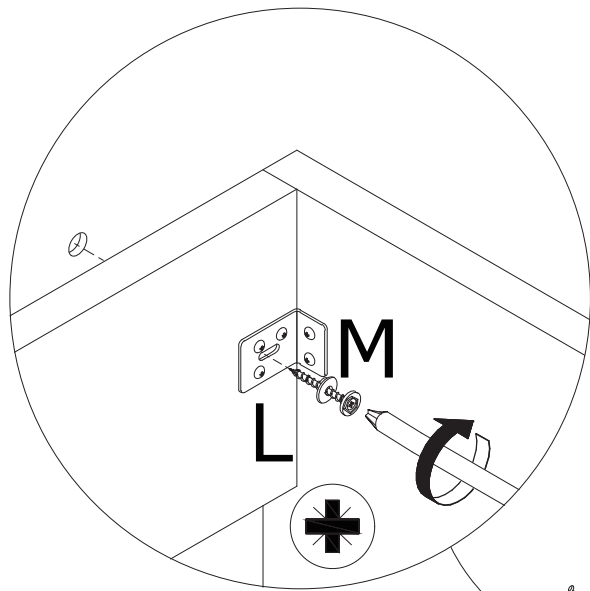
Ø8 x 40mm



Knock part(K) into the hole.

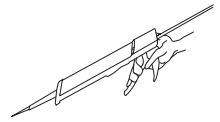
12

L x 2 Ø16	M x 2 M6 x 60mm	 
--------------	--------------------	---

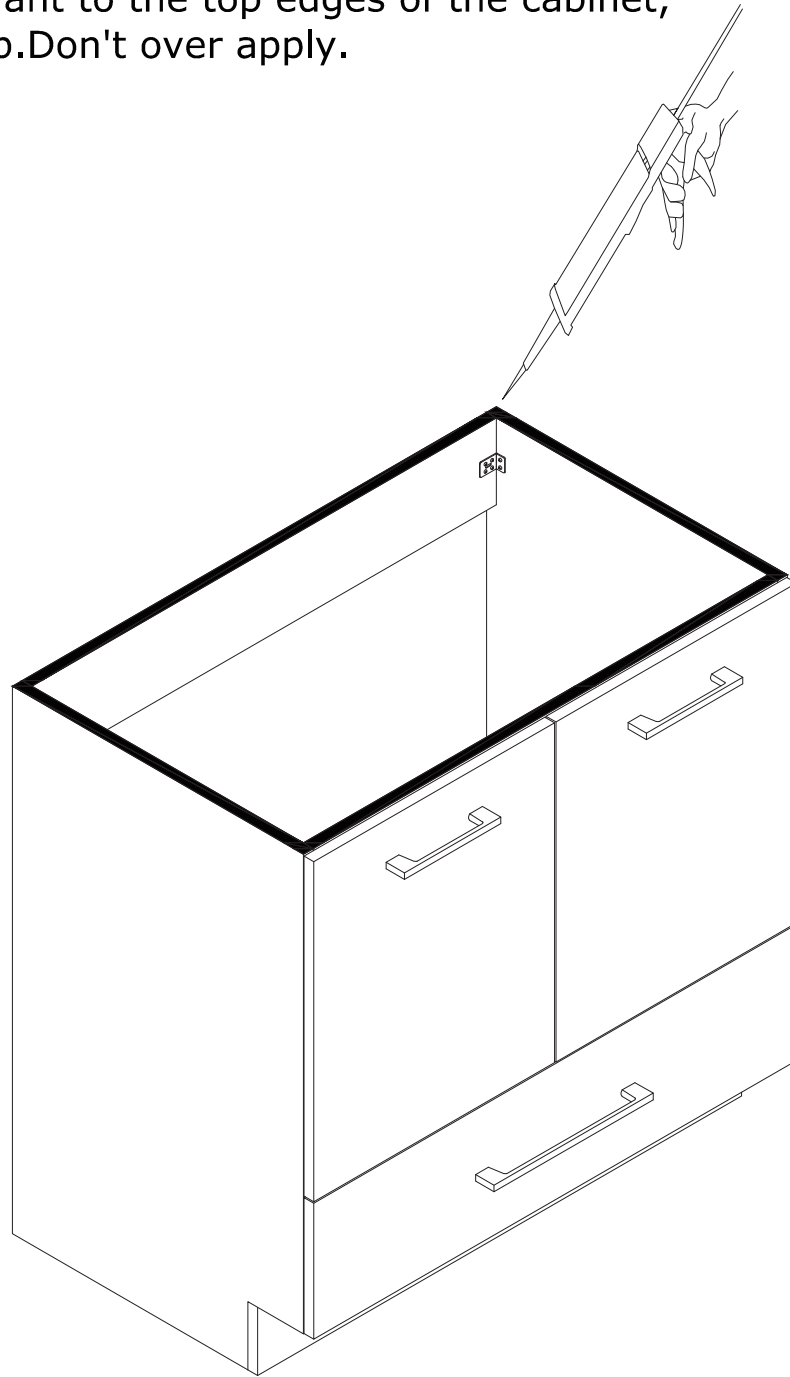


Fix the item to part(K) with washer(L) and screw(M) as shown.

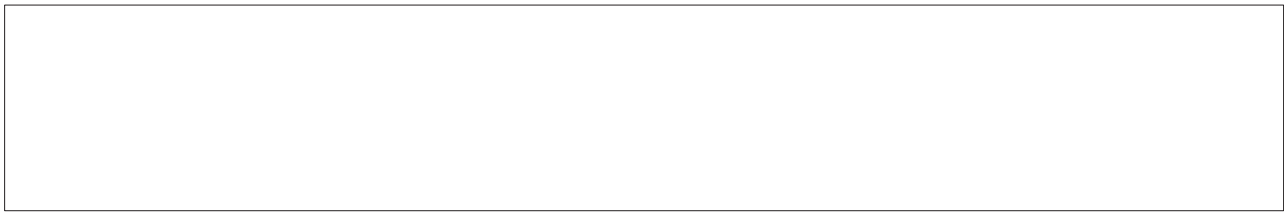
13



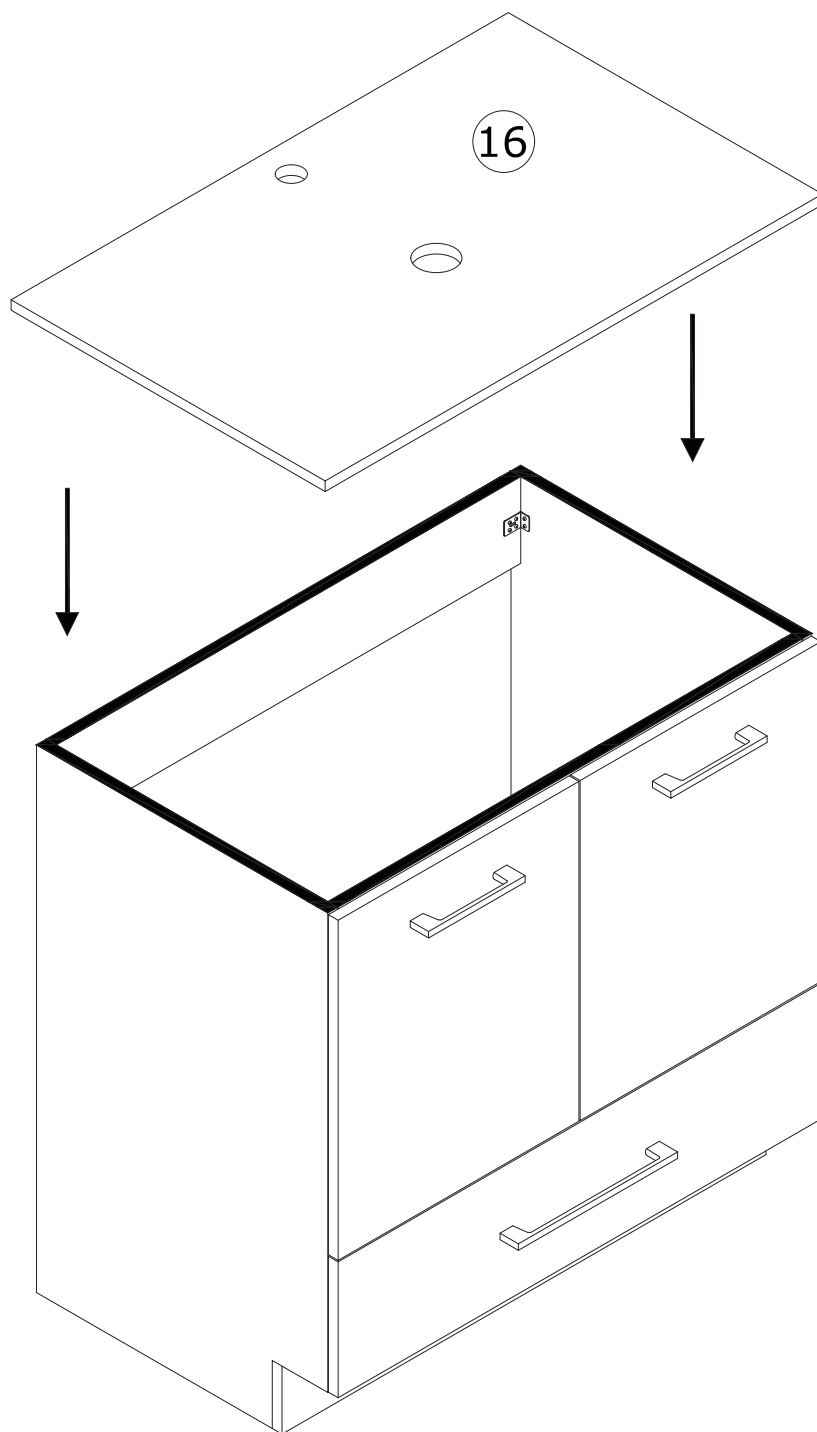
Apply sealant to the top edges of the cabinet, countertop. Don't over apply.



14



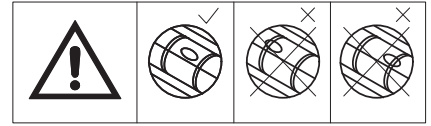
Glue the plate 16 to the cabinet.



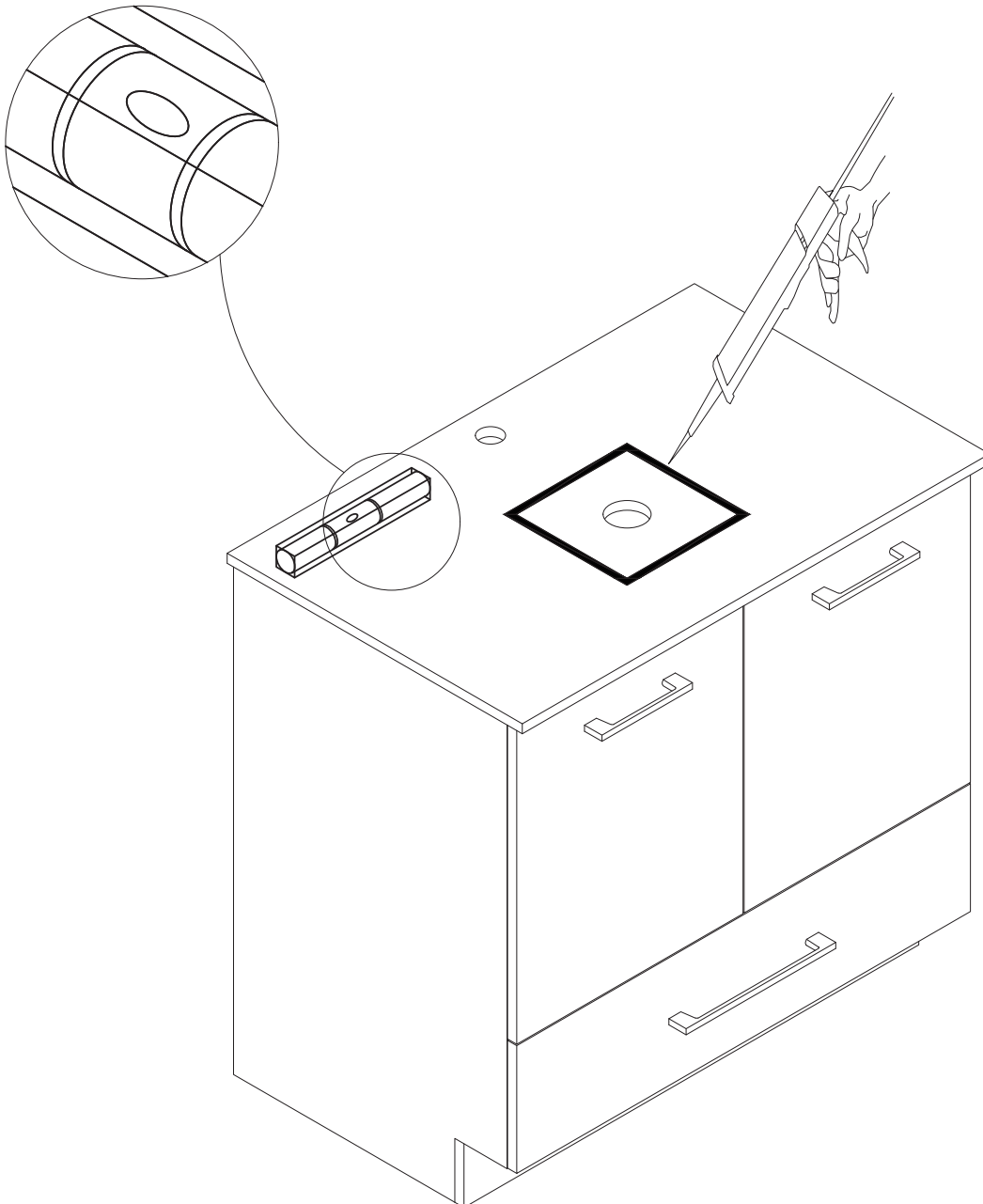
15



Apply sealant to the bottom of the basin, countertop.



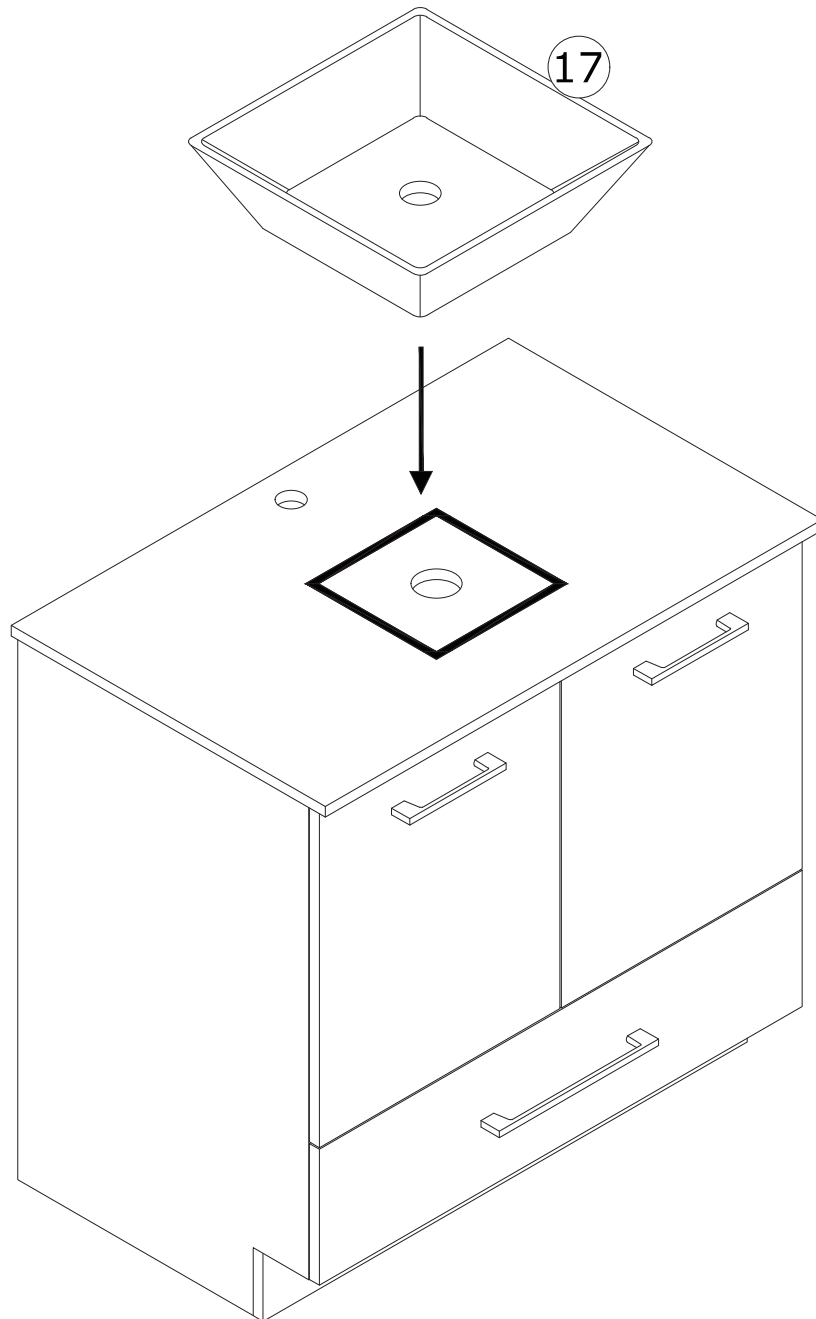
After gluing, place the gradienter on the top of the vanity to ensure that the horizontal error does not exceed $\pm 2^\circ$.



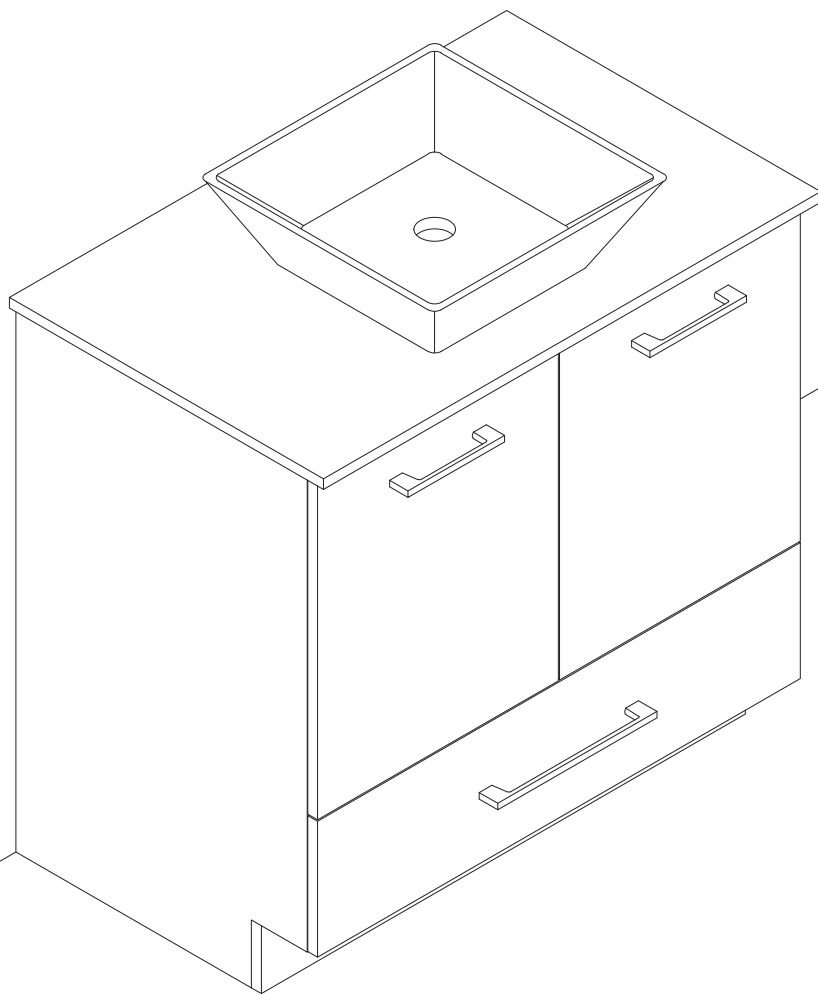
16



Glue the sink to the top.



17



WARRANTY

WARRANTY CLAIMS

- There is a 30-day warranty for broken furniture or any other problems that do not work properly. The warranty will start from the date of purchase which must be verified by proof of purchase.
- Before making a claim, we may be able to answer your query, simply call us. Please leave your purchase order number, along with some details of the problem, if you want a replacement part. We will arrange within 48 hours. If there is out of stock, we will reply with a shipping date.
- The product must be used in accordance with the instructions provided. For health reasons.
- For other reasons, if the furniture needs to be returned, it must be cleaned and dried and operated within 30 days of receipt.

Type of Warranty Claim

- Failure to follow the furniture instructions will invalidate the warranty. Attention please.
- Does not include damage during installation, but includes damage during transportation.

Scope of responsibility

- Shall not bear any responsibility for misuse or user damage and / or loss of parts during the installation of furniture.
- After using, the damage and scratches of the furniture are not covered by the warranty.

The Warranty Relates to All Bought in The Us and Covers The Following Areas

- Sheet parts: 1 month from the date of purchase.
- Electrical parts: 1 month from the date of purchase.

RETURNS

CHANGED YOUR MIND AND NEED TO RETURN YOU ITEM?

PLEASE FOLLOW THE BELOW INSTRUCTIONS:

- If you have purchased and have simply changed your mind, follow the retailer's instructions for returns.

DEFECTIVE ITEMS

- If your item is defective in any way, i.e. it doesn't work but you can't identify why, in the first instance, please call us.

DAMAGED ITEMS

- If you receive an order with obvious shipping damage from the retailer, then we suggest the delivery is refused. If the delivery has been accepted and then shipping damage is found, please follow the specific instructions advised by the retailer.
In all circumstances please save all packaging material and paperwork for the order. Please be aware that if you dispose of packaging material or attempt to return the merchandise without contacting the fulfiller, you jeopardise your chances of making a claim, and you may not receive a credit for the return.