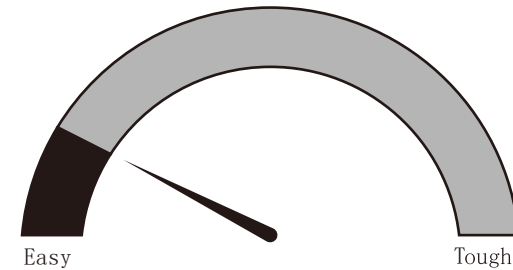


THIS INSTRUCTION BOOKLET CONTAINS IMPORTANT SAFETY INFORMATION. PLEASE READ AND KEEP FOR FUTURE REFERENCE.



WARNING

- Unit can tip over causing severe injury or death.
- Anchor unit to stud in wall (if instructed to).
- Do Not allow children to climb on unit.
- Put heavy items on lower shelves or drawers.

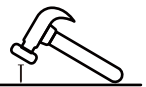
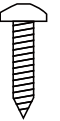


Assembly Difficulty Meter

Helpful Hints

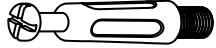

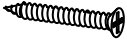

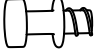
PEOPLE NEEDED FOR ASSEMBLY: 1 - 2
ESTIMATED ASSEMBLY TIME: 1 HOUR



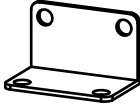
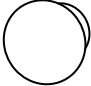
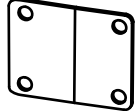
- Open your item in the area you plan to keep it to avoid excessive heavy lifting.
- Identify, sort and count the parts before attempting assembly.
- Compression dowels are lightly tapped in with a hammer.
- Slides are labeled with a R (right) and L (left) for proper placement.
- Make sure to always face the point on the top of the Cam Lock towards the outer edge.
- Use all the nails provided for the back panel and spread them out equally.
- Back panel must be used to make sure your unit is sturdy.
- Do NOT use harsh chemicals or abrasive cleaners on this item.
- Never push, pull, or drag your furniture.

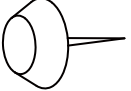


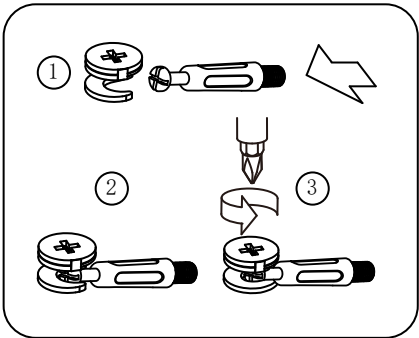
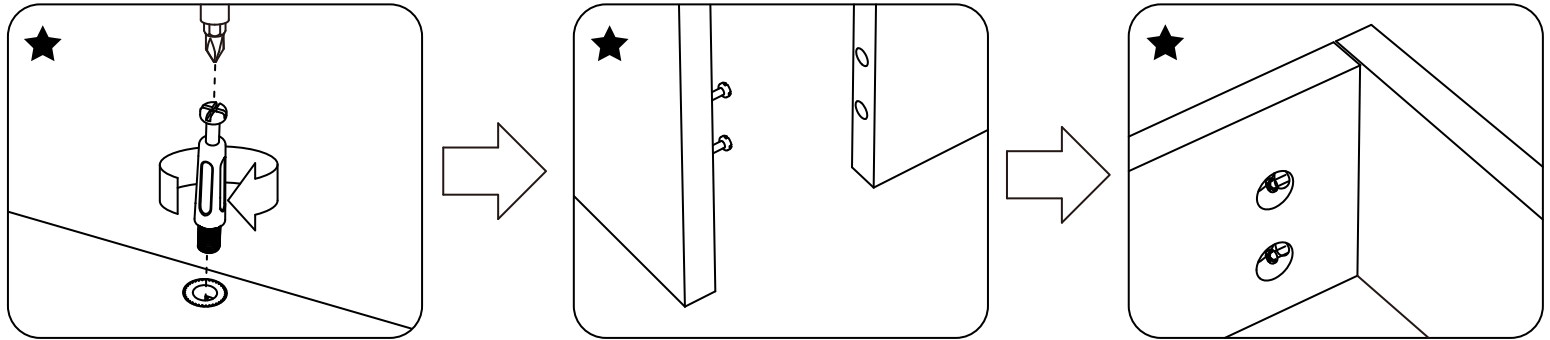
Before You Start

- ✓ — Read through each step carefully and follow the proper order
- ✓ — Separate and count all your parts and hardware
- ✓ — Give yourself enough room for the assembly process
- ✓ — Have the following tools: Hammer
- ✓ — Caution: If using a power drill or power screwdriver for screwing, please be aware to slow down and stop when screw is tight. Failure to do so may result in stripping the screw.

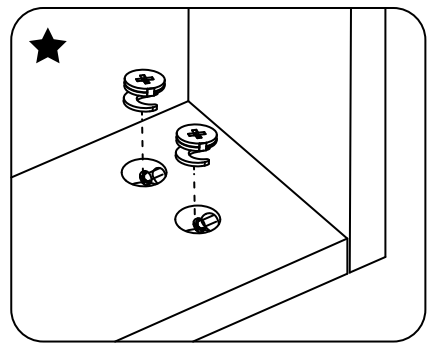
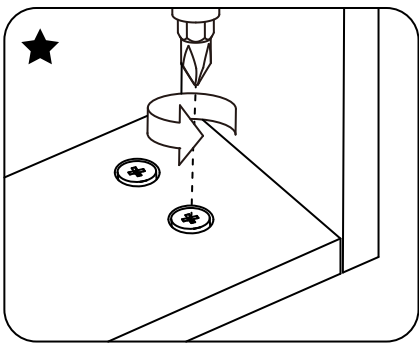
<p>A</p>  <p>Quickfit Screw 60 PCS</p>	<p>B</p>  <p>Camlock 60 PCS</p>	<p>C</p>  <p>Long screw 25PCS</p>	<p>D</p>  <p>Long screw nut 25PCS</p>	<p>E</p>  <p>Drawer limit screw 10PCS</p>
--	---	---	---	---

<p>F</p>  <p>Handle screw 5 PCS</p>	<p>G</p>  <p>Small screw 12 PCS</p>	<p>H</p>  <p>2 PCS</p>	<p>I</p>  <p>Drawer handle 5 PCS</p>	<p>J</p>  <p>1 PCS</p>
---	---	--	--	--

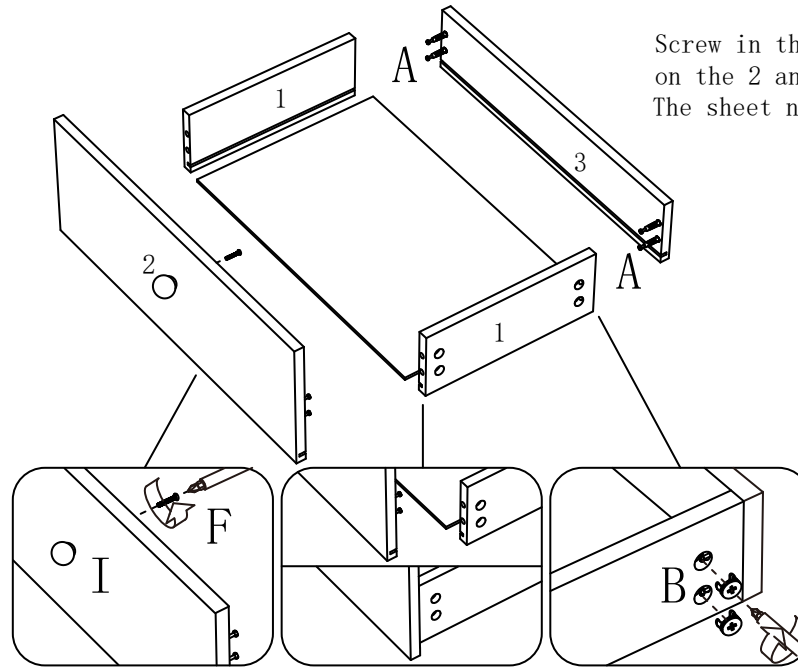
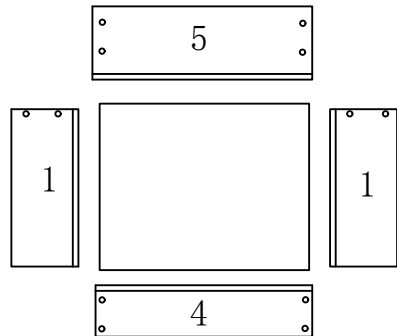
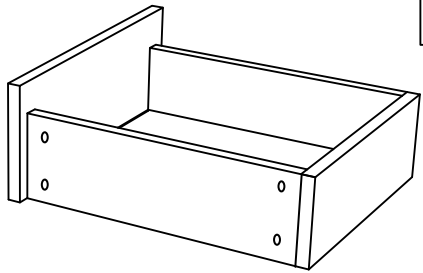
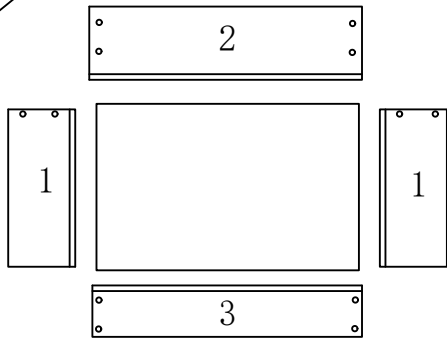
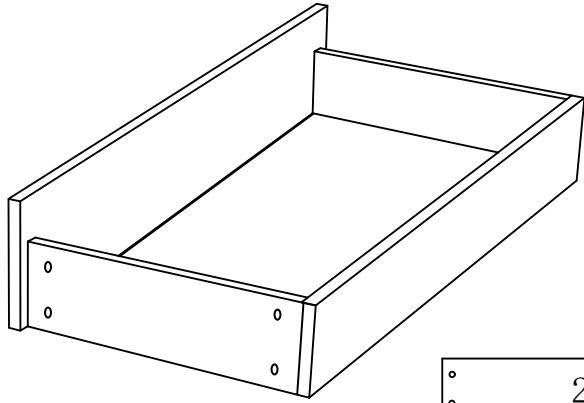
<p>K</p>  <p>Cabinet shoe 10 PCS</p>
--



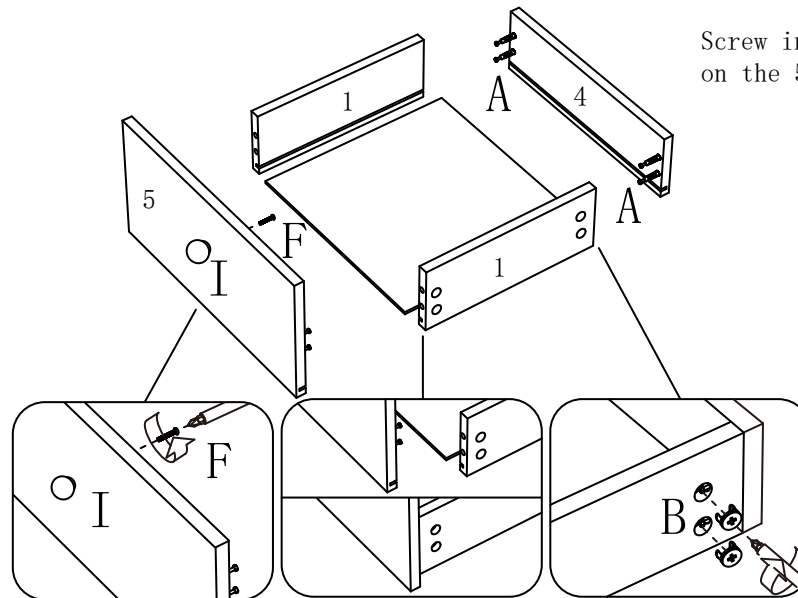
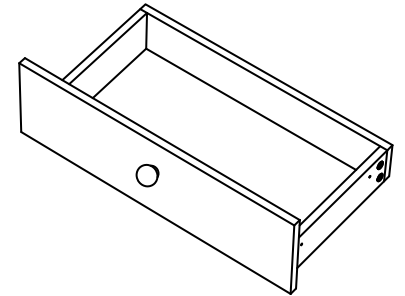
Parts assembly diagram



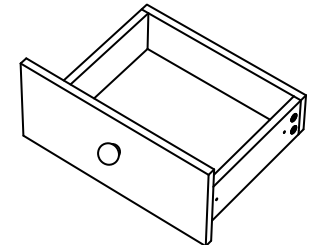
First install the drawer .




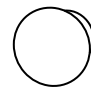


Screw in the eccentric screw
on the 2 and 3 plates first
The sheet needs to be aligned with the slot

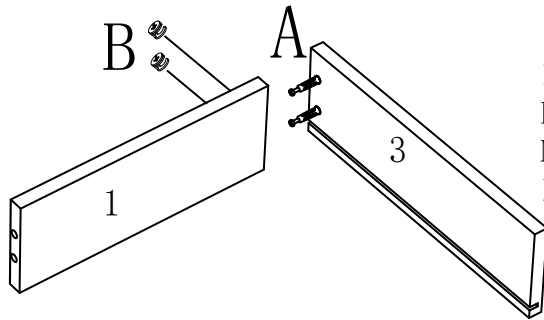


Screw in the eccentric screw
on the 5 and 6 plates first



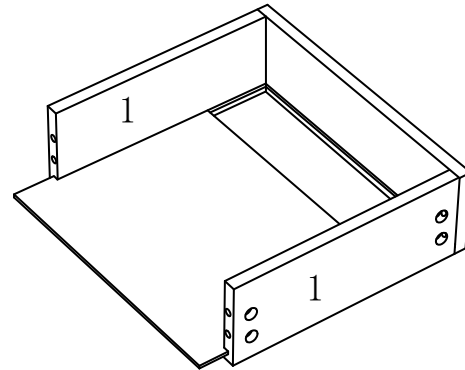
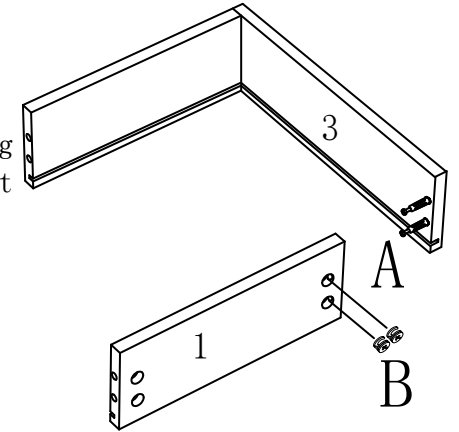
<p>A</p>  <p>40PCS</p>	<p>B</p>  <p>40PCS</p>	<p>F</p>  <p>5PCS</p>	<p>I</p>  <p>5PCS</p>
---	---	---	--

The installation steps of other drawers are the same

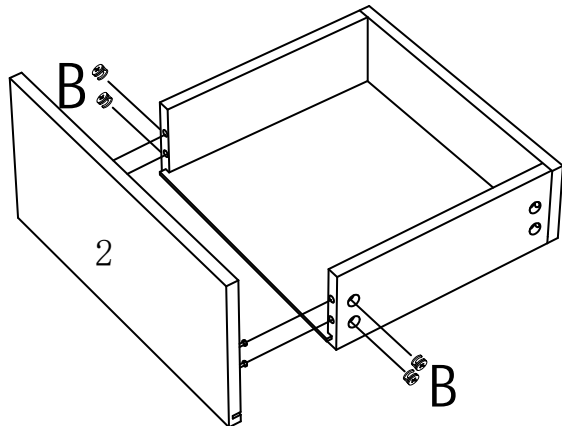


1. Screw A into the corresponding hole of No. 4 plate, then insert No. 1 plate into A, and finally lock A with B

2. Screw A into the corresponding hole of No. 2 plate, then insert No. 1 plate into A, and finally lock A with B

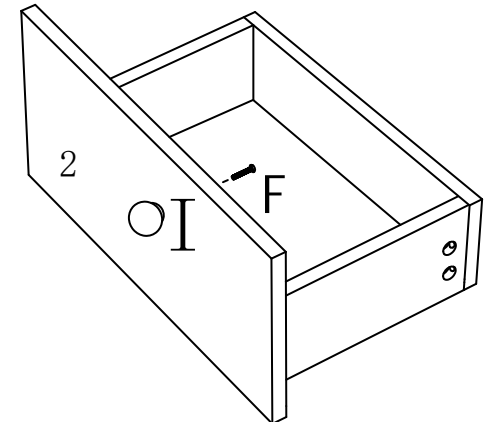


3. Align the sheet with the slot of plate 1 and push it forward

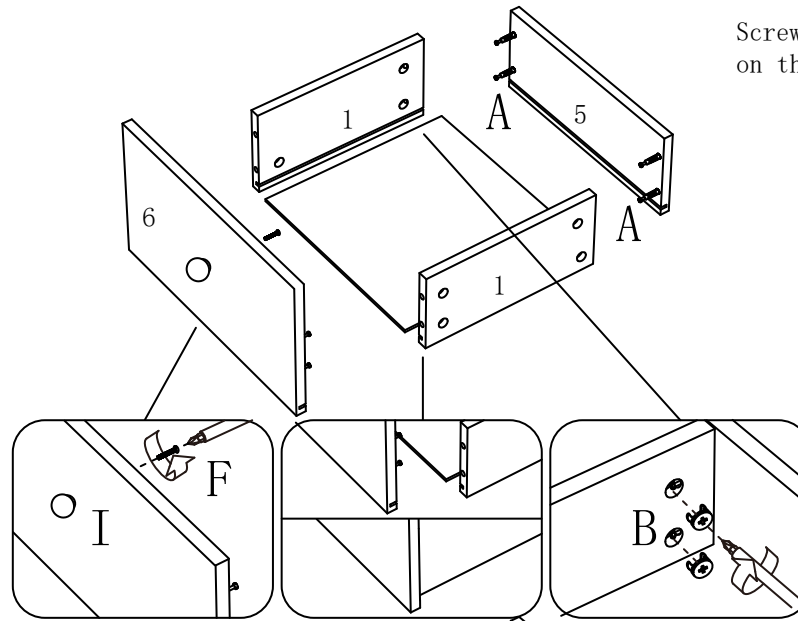
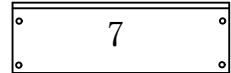
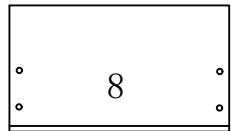
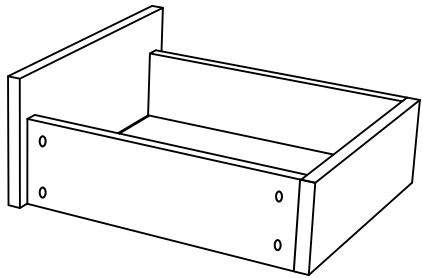
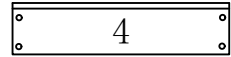
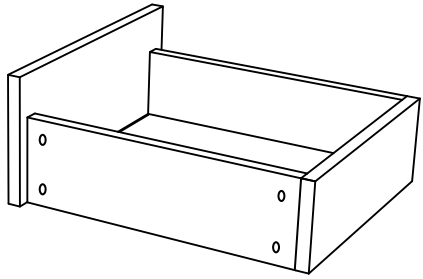


4. Screw A into the corresponding hole of No. 2 plate, then connect No. 2 plate with the previously installed part, and finally lock A with B for fixation

5. Fix I in front of plate 2 with F

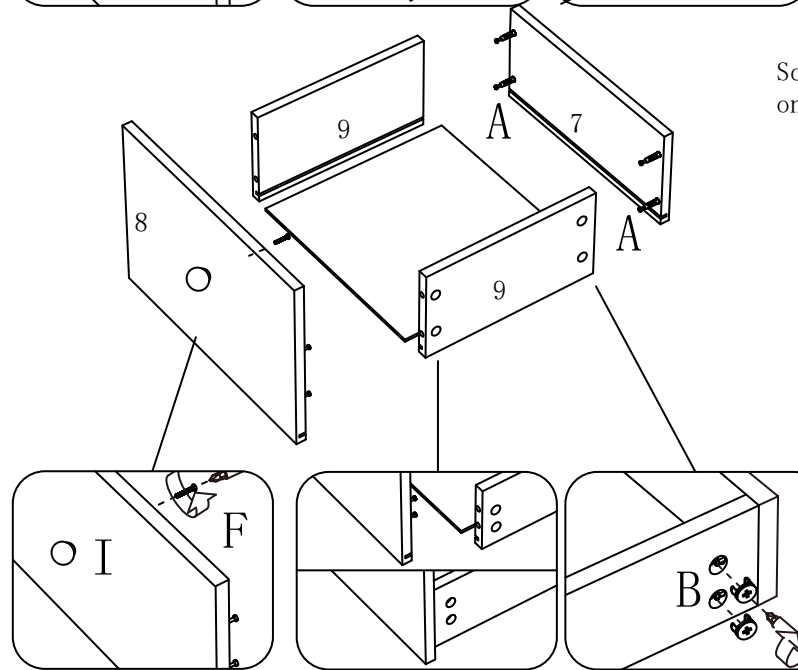


First install the drawer .

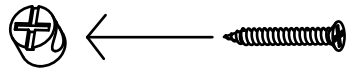
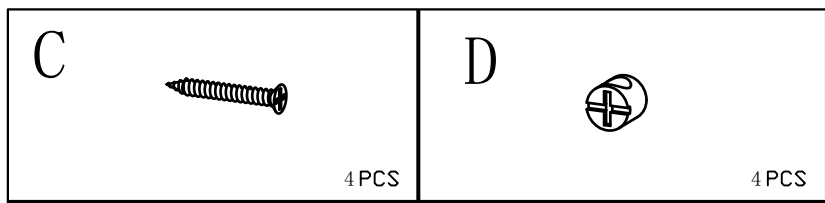


Screw in the eccentric screw on the 4 and 6 plates first

X2

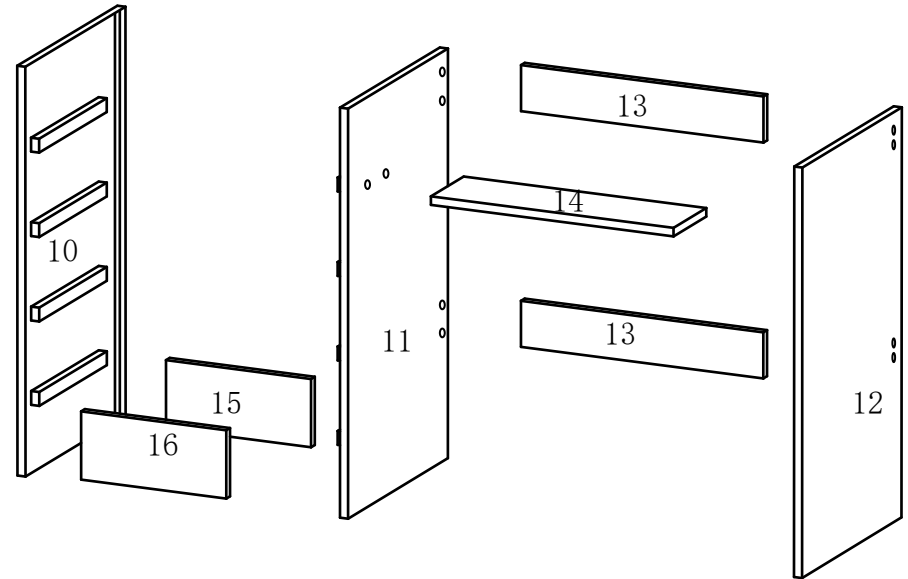
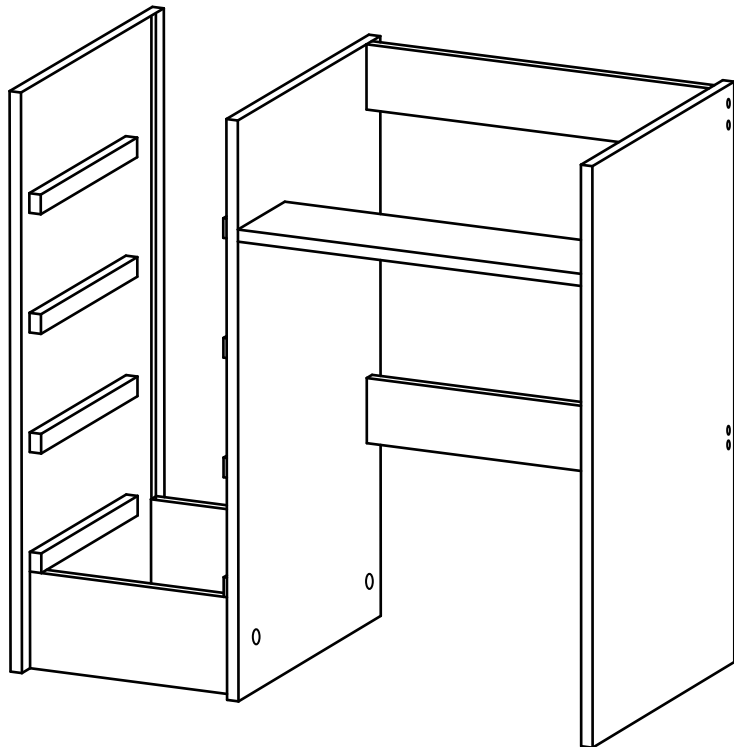


Screw in the eccentric screw on the 7 and 8 plates first



When placing D, it should be noted that the round hole should be aligned with the direction of screw in C

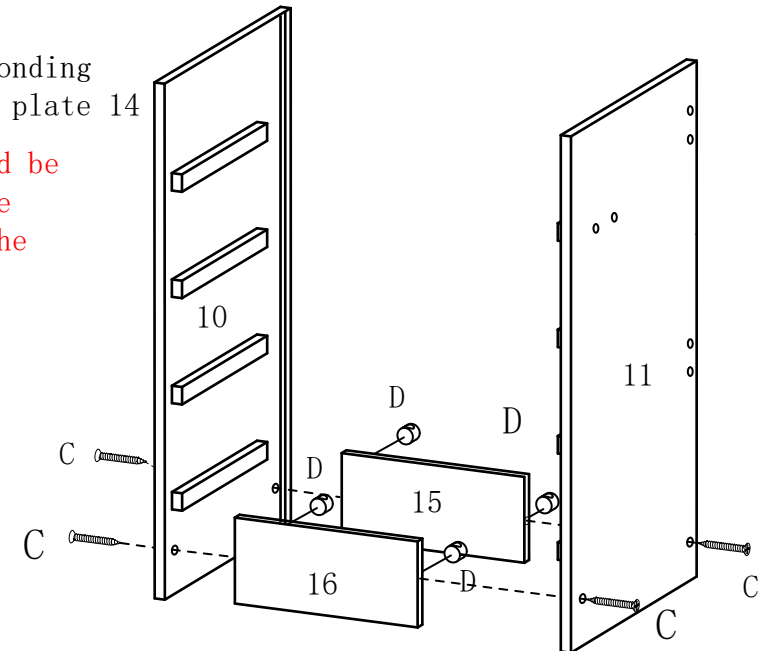
Second install the cabinet.

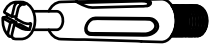

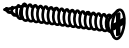



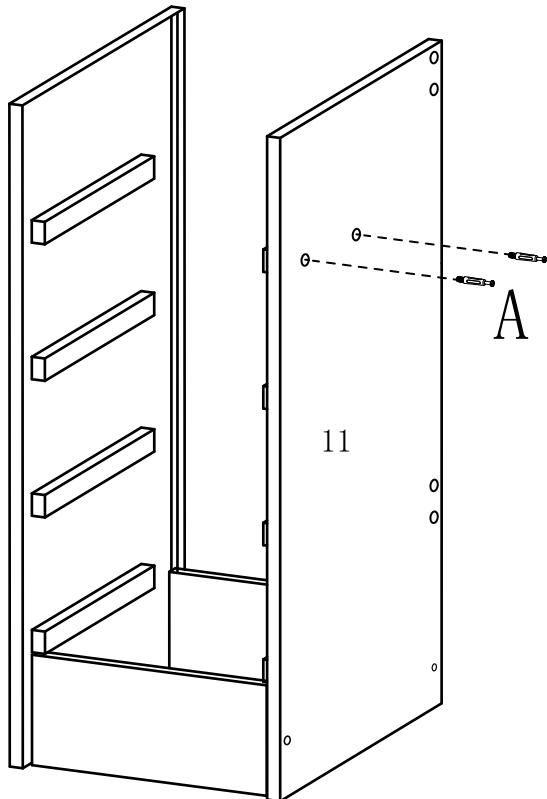
1. Place D in the corresponding position of plate 13 and plate 14

When placing D, it should be noted that the round hole should be aligned with the direction of screw in C

2. Connect and fix plates 10, 11, 15 and 16 with C



<p>A</p>  <p>4PCS</p>	<p>B</p>  <p>4PCS</p>
<p>C</p>  <p>8PCS</p>	<p>D</p>  <p>8PCS</p>

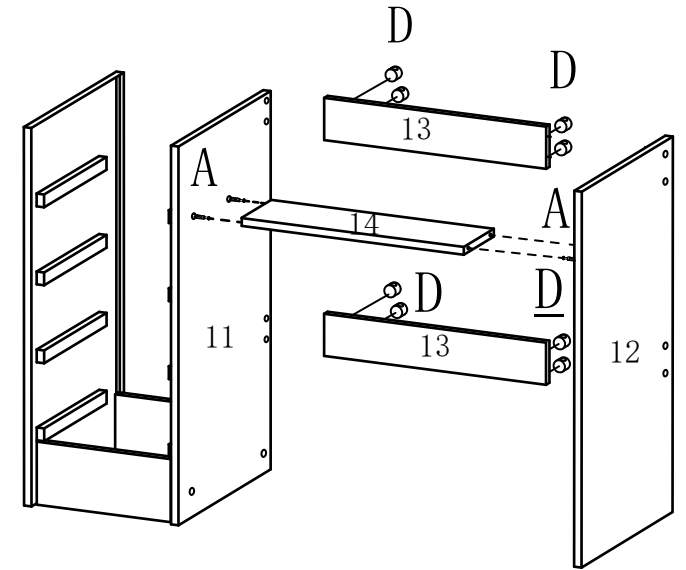


Screw A into the corresponding hole of plate 11

1. Place D into the corresponding hole of No. 13 plate

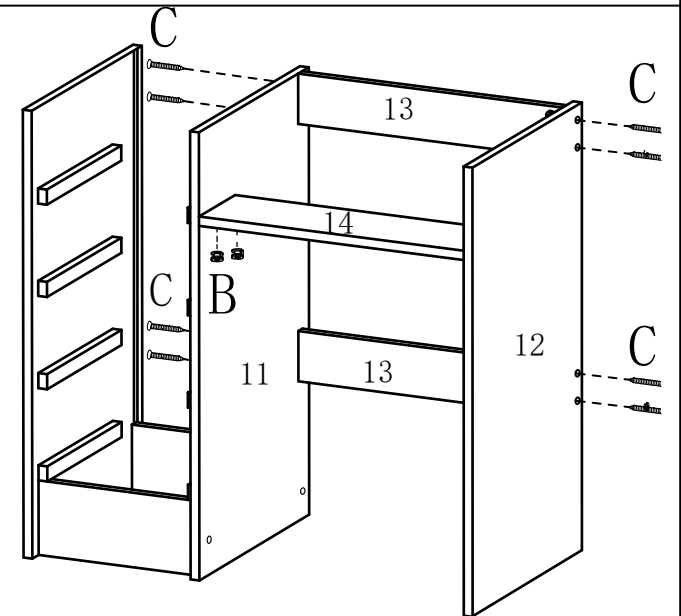
When placing D, it should be noted that the round hole should be aligned with the direction of screw in C

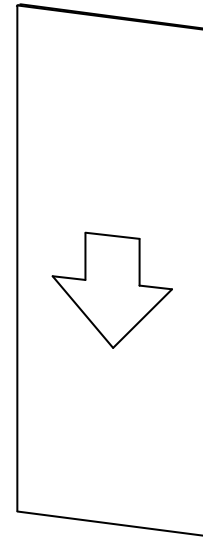
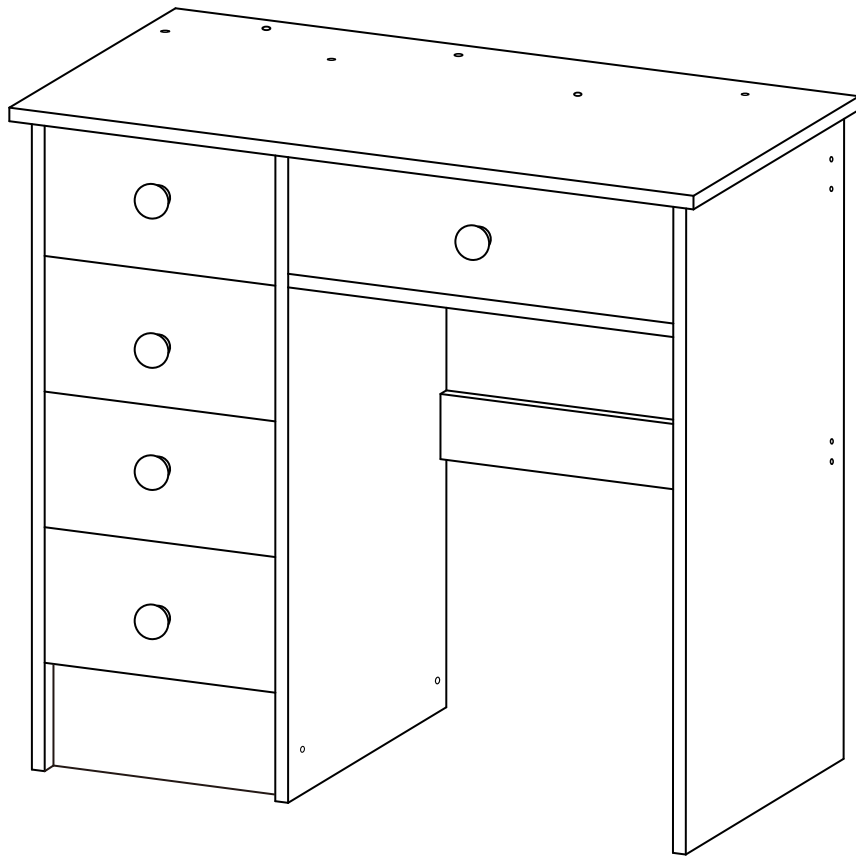
2. Screw A into the corresponding hole of plate 14



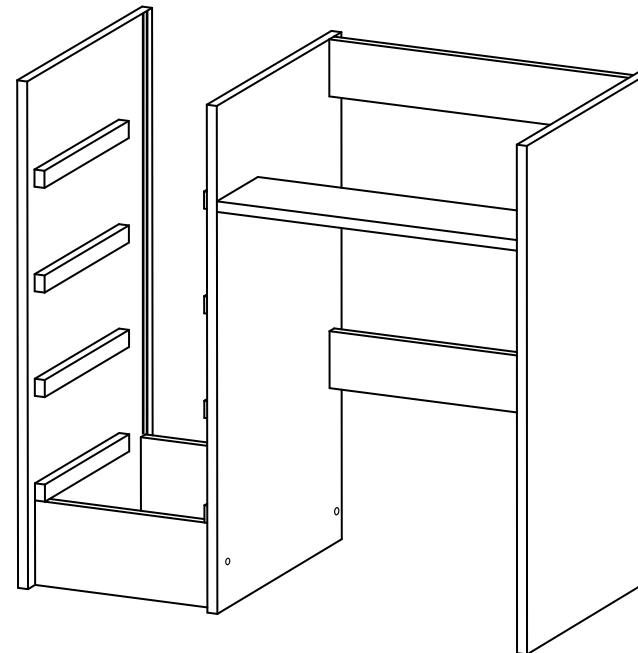
Connect and fix plate 11, 12 and 13 with C

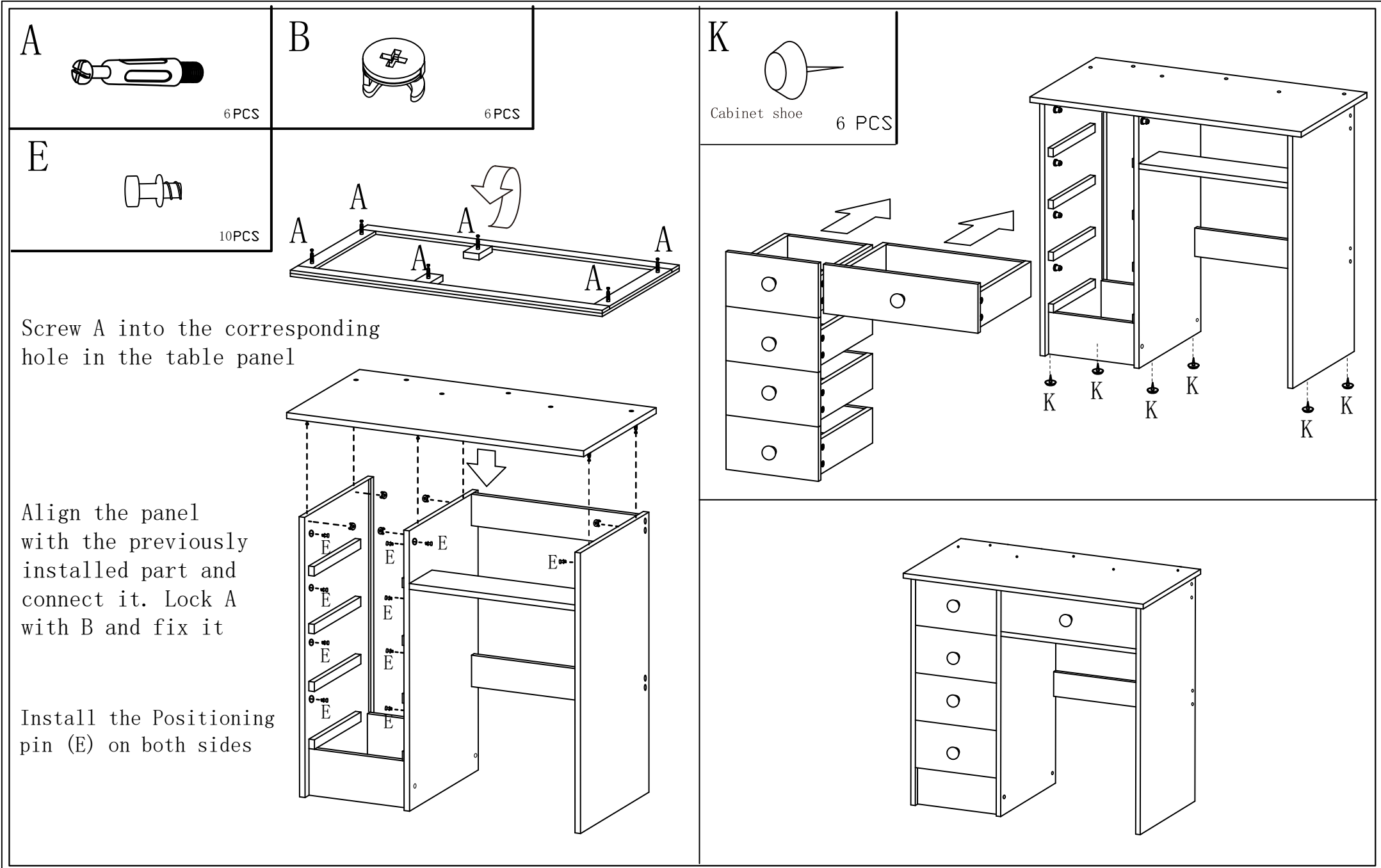
Use B to connect plate 11, plate 12 and plate 14

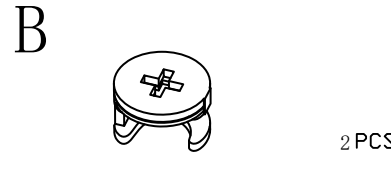
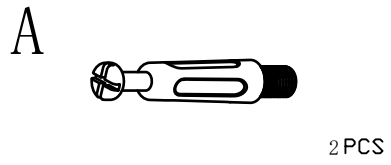
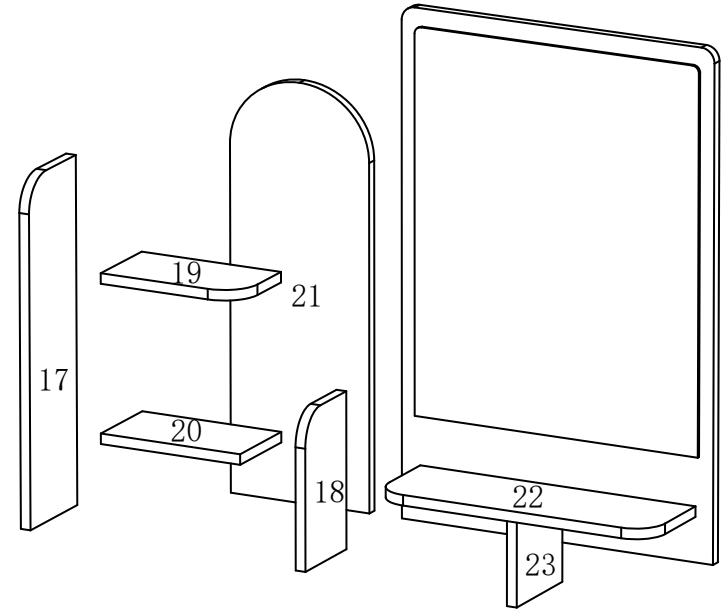
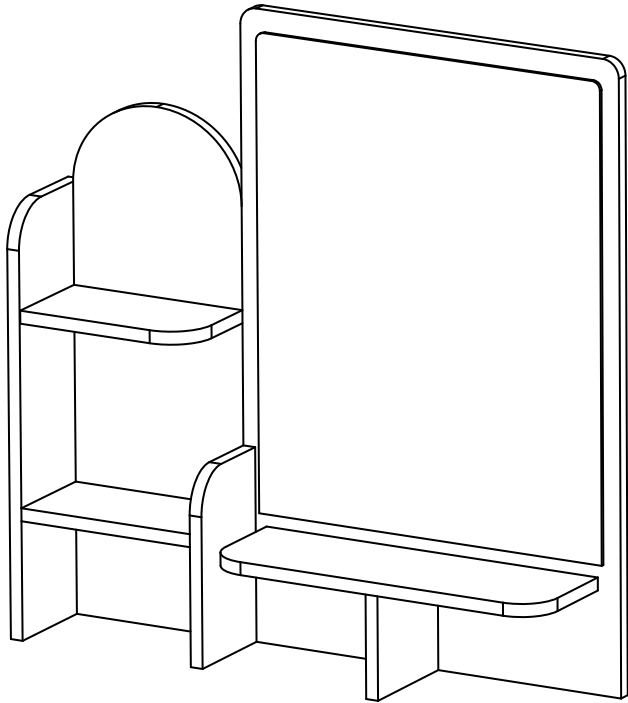




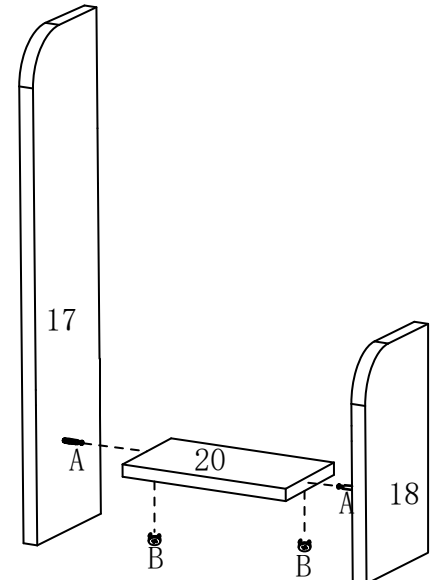
Insert the back of the
drawer along the groove







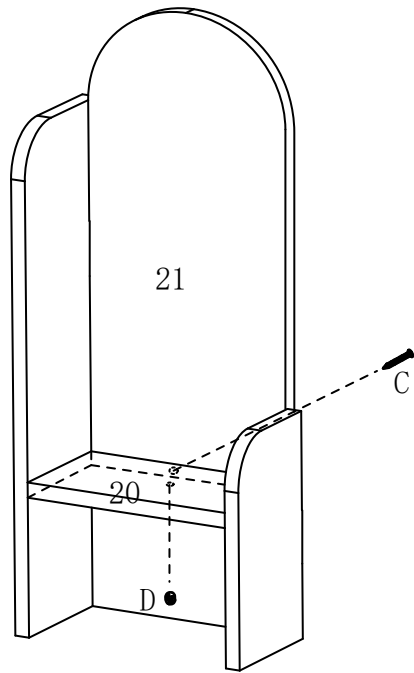




Connect plates 17, 18 and 20 with A, and then lock A with B for fixation

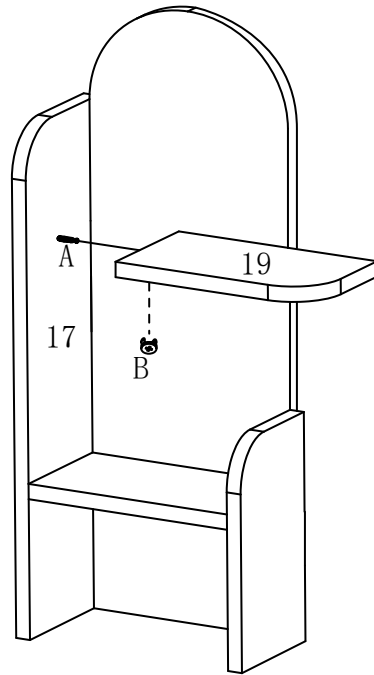


<p>A</p>  <p>4PCS</p>	<p>B</p>  <p>1PCS</p>
<p>C</p>  <p>2PCS</p>	<p>D</p>  <p>2PCS</p>

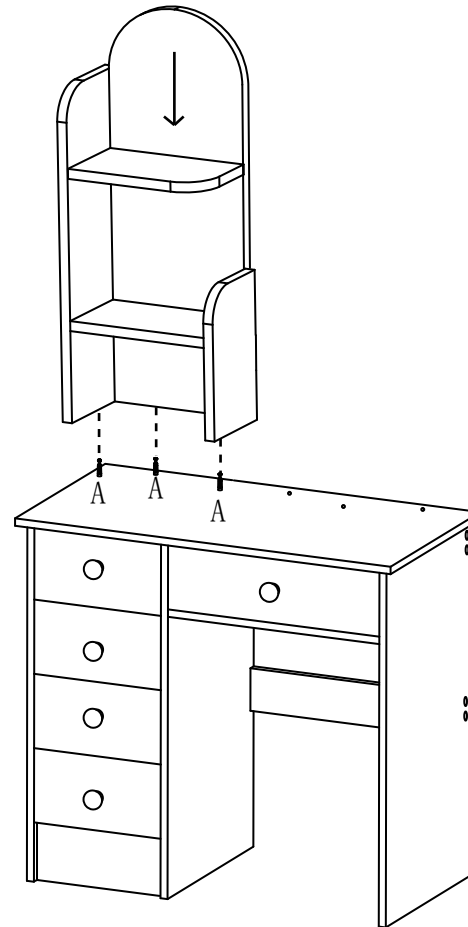


Place D in the position corresponding to plate 20

Screw in from the back of No. 21 plate with C to fix it

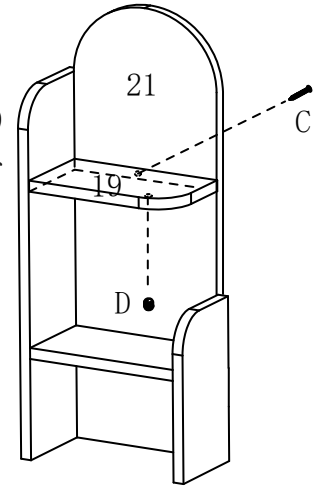


Connect plate 17 and 19 with A, and lock plate A with B



Use A to connect the lower half cabinet with the newly installed one

Place D in the position corresponding to plate 19
Screw in from the back of No. 21 plate with C to fix it

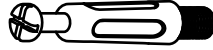


B



3 PCS

A



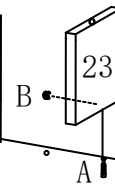
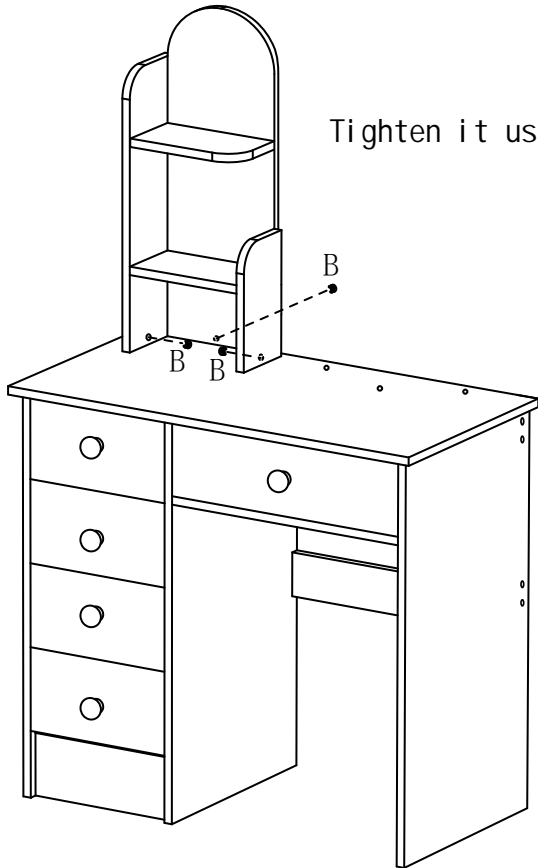
3 PCS

B

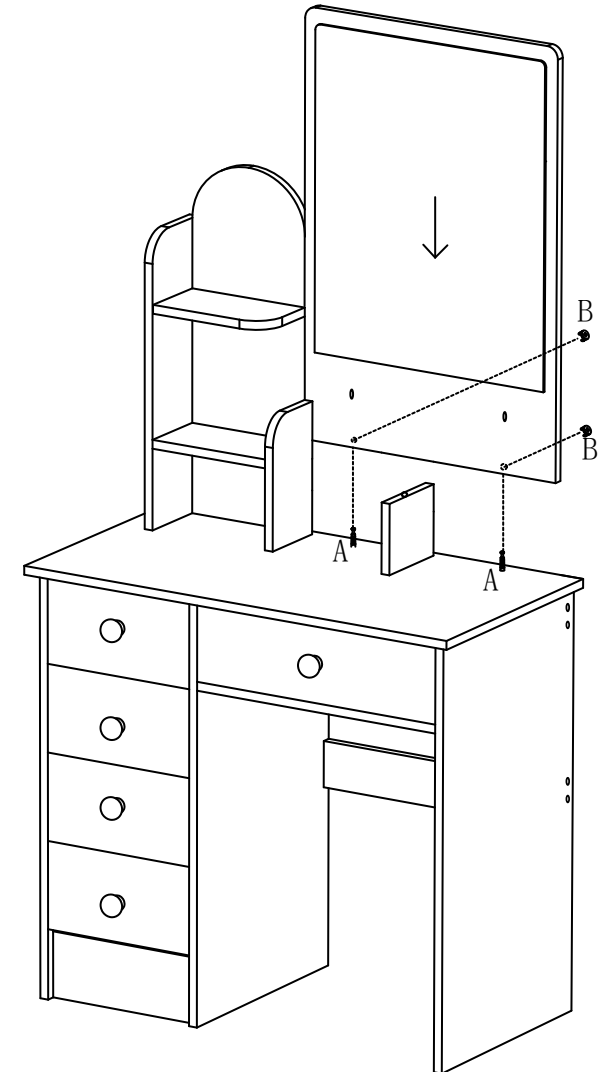


3 PCS

Tighten it using B



Use A to connect the cabinet with board 23, and then use B to lock A and fix it



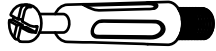
First screw A into the table, then install the mirror and tighten B

G



4 PCS

A



1 PCS

B



1 PCS

C

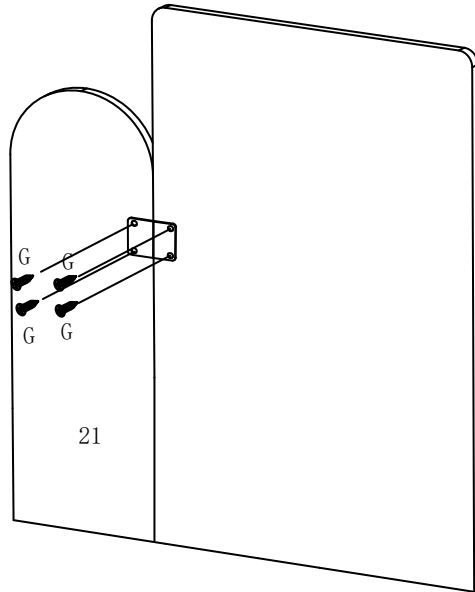


2 PCS

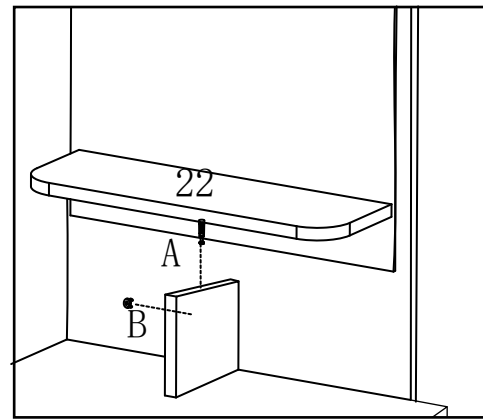
D



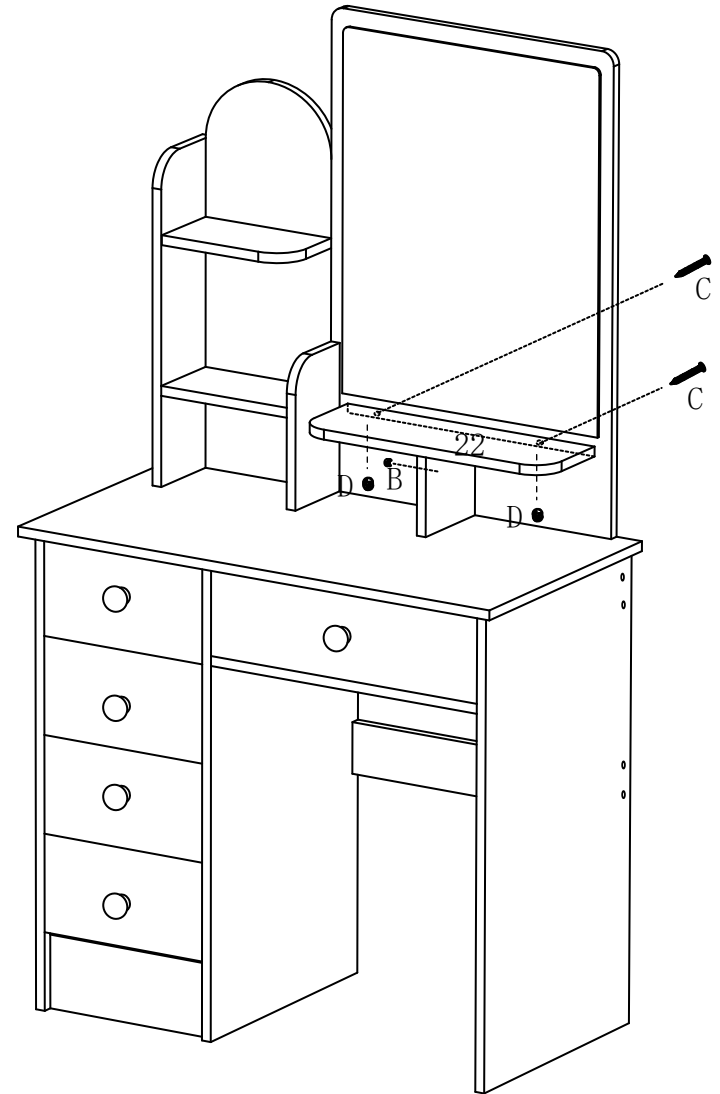
2 PCS



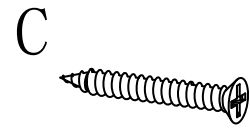
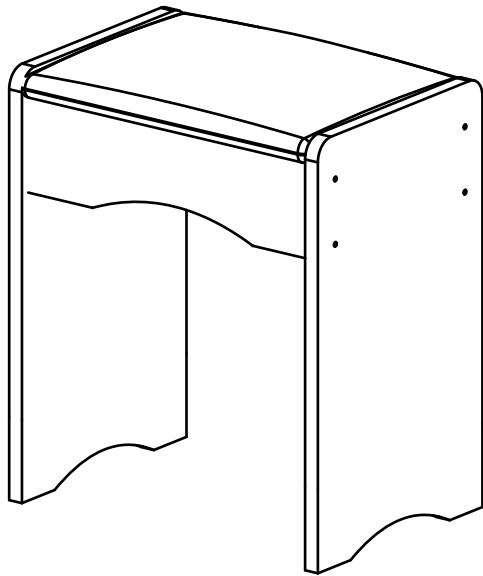
Connect the 21 and Mirror plates with G and H



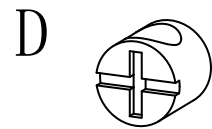
Screw A into plate no. 22 first, and then assemble it with plate No. 23



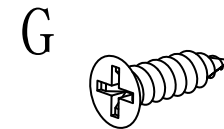
Fix plate 22 in front of plate Mirror with C



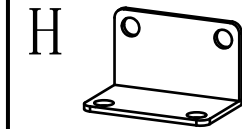
C
Long screws
14mm×3.5mm 8 PCS



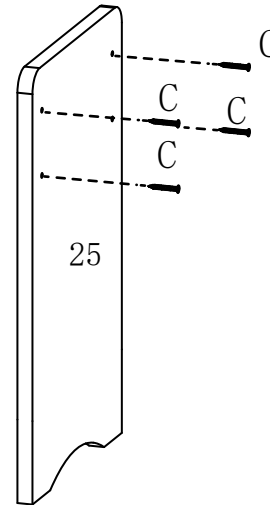
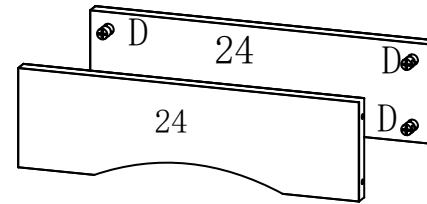
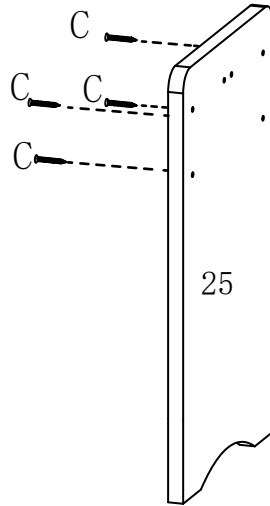
D
Plastic plug 8 PCS



G
Short screws
10mm×7mm 4 PCS

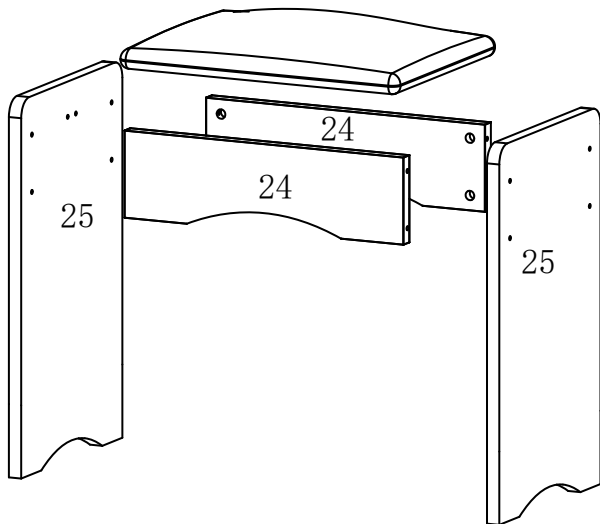


H
Comer connection
2 PCS



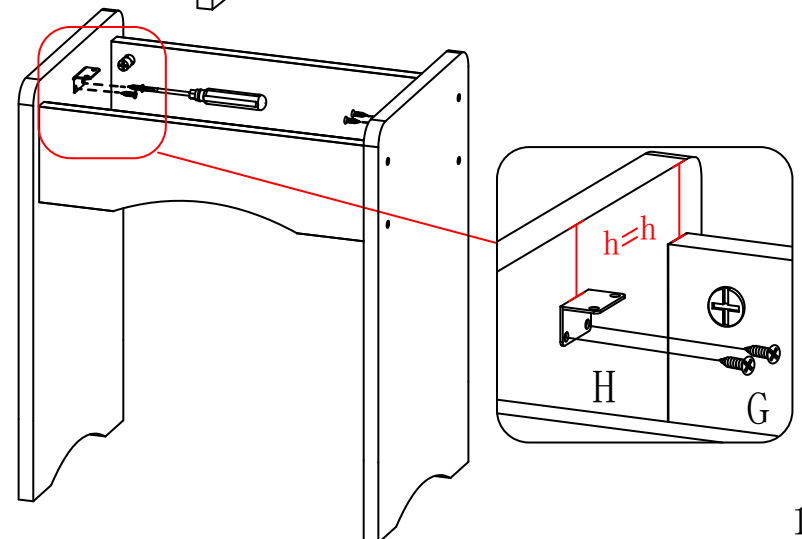
1. Place D in the hole corresponding to plate 27

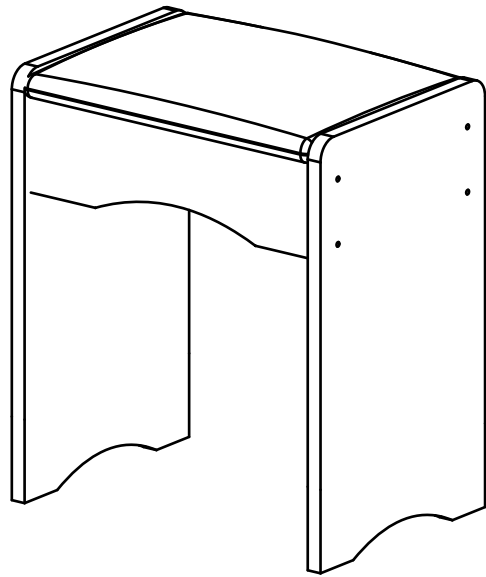
When placing, pay attention to align the round hole of D with the socket of C



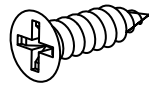
2. Use A to punch into the corresponding holes of the two No. 25 plates to connect them with the two No. 24 plates

3. Fix H on the inside of plate 25 with G



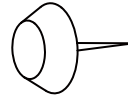


G

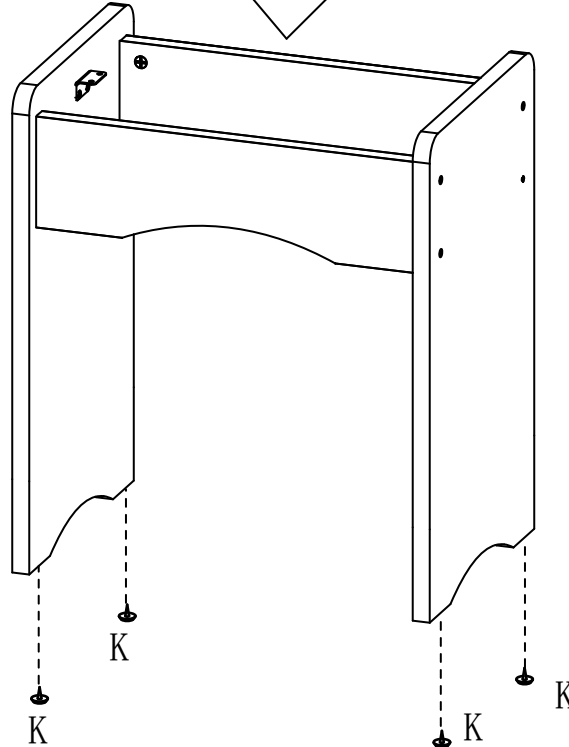
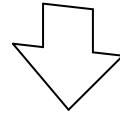
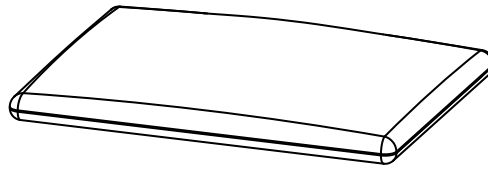


Short screws
10mm×7mm 4 PCS

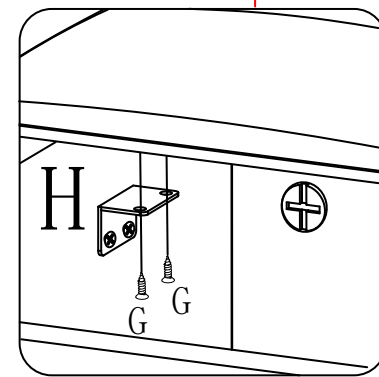
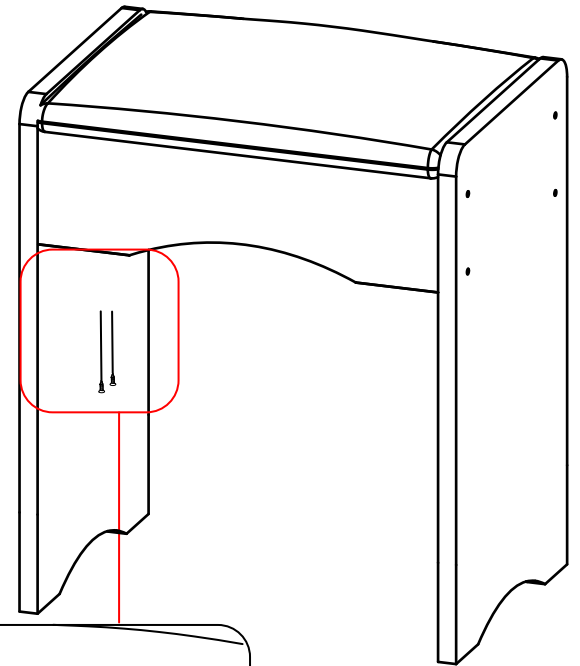
K



Cabinet shoe 4 PCS



Punch K into the corresponding hole at the bottom of two 25 plates



Use G to punch into the hole corresponding to H to fix it with soft roll

