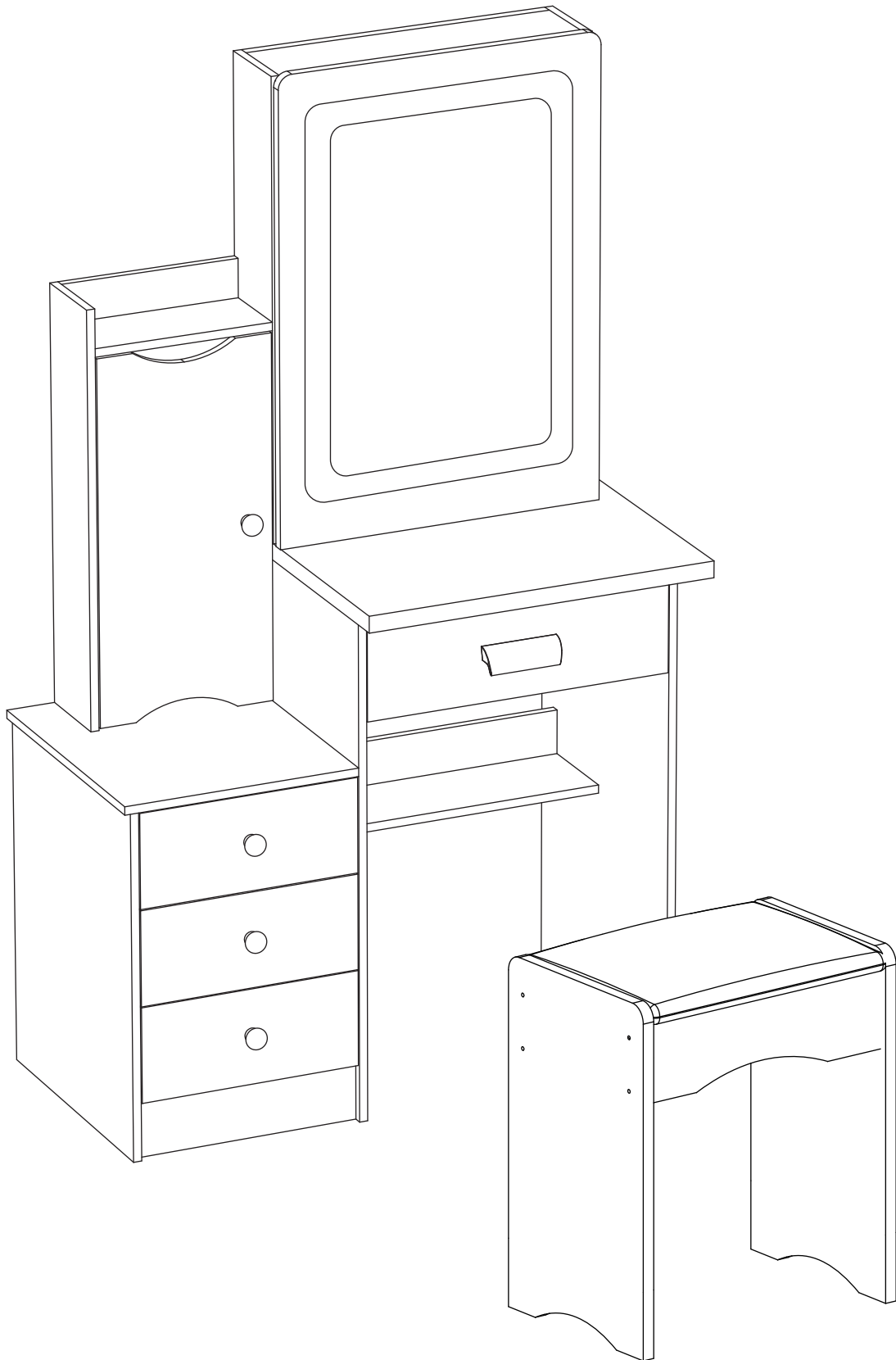
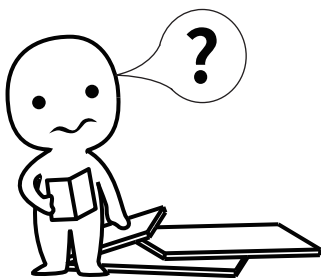


Vanity





IMPORTANT INFORMATION!

please read the entire manual before starting to assemble and/or using this product. follow the manual thoroughly and keep it for further reference.



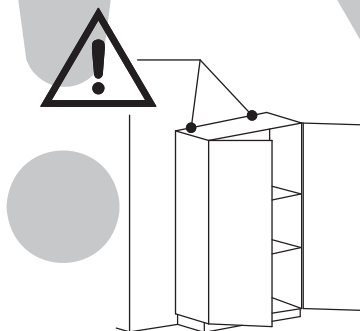
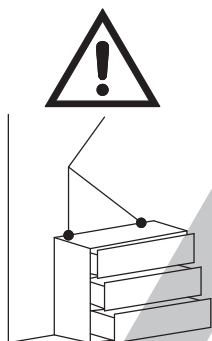
AVOID SCRATCHES!

In order to avoid scratching this furniture should be assembled on a soft layer- could be a rug.



IMPROVE EFFICIENCY !

Try to find a partner to install with you, which can speed up the installation efficiency and shorten the time.



ANTI-TOPPLE WARNING !

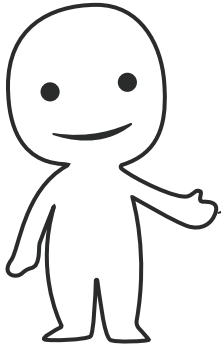
Overturnd furniture can cause serious or fatal crush injuries. To prevent tipping over, be sure to use the wall attachment, if not included with this product. Please purchase the wall attachment that fit your wall. If unsure, seek professional advice. Please read and follow each step of the instructions carefully.

IMPORTANT !

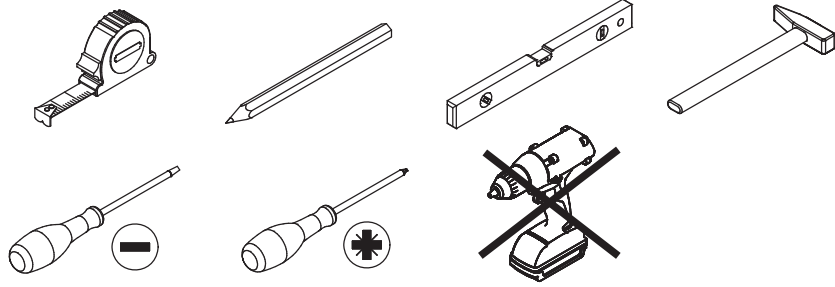
It is important that any product which is assembled using any kind of screw is re-tightened 2 weeks after assembly, and once every 3 months - in order to assure stability through-out the lifespan of the product.

For regular maintenance and cleaning of the product, for the frame, please use a rag dipped in neutral detergent to fully wipe it, and then dry it with a clean rag. For glass materials, wipe with a rag dampened with water glass cleaner, and then dry with a dry rag.

Do not use an electric screwdriver, and do not use too much force when installing, because the board is easy to break.

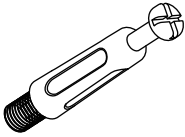


Please prepare the following tools



When installing, please carefully confirm whether each screw corresponds to the manual, accessories with similar shapes can be distinguished by size

A x 82



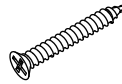
Ø6 x 35 mm

B x 82



Ø12 x 9.5 mm

C x 17



Ø5 x 45 mm

D x 17



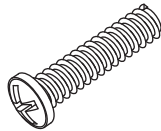
Ø9 x 9 mm

E x 8



Ø6 x 10 mm

F x 6



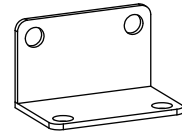
Ø4 x 18 mm

G x 28

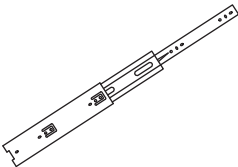


Ø3.5 x 12 mm

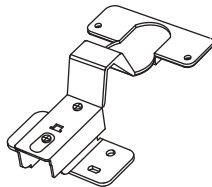
H x 2



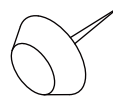
I x 2



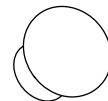
J x 2



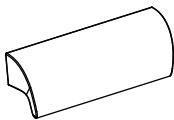
K x 10

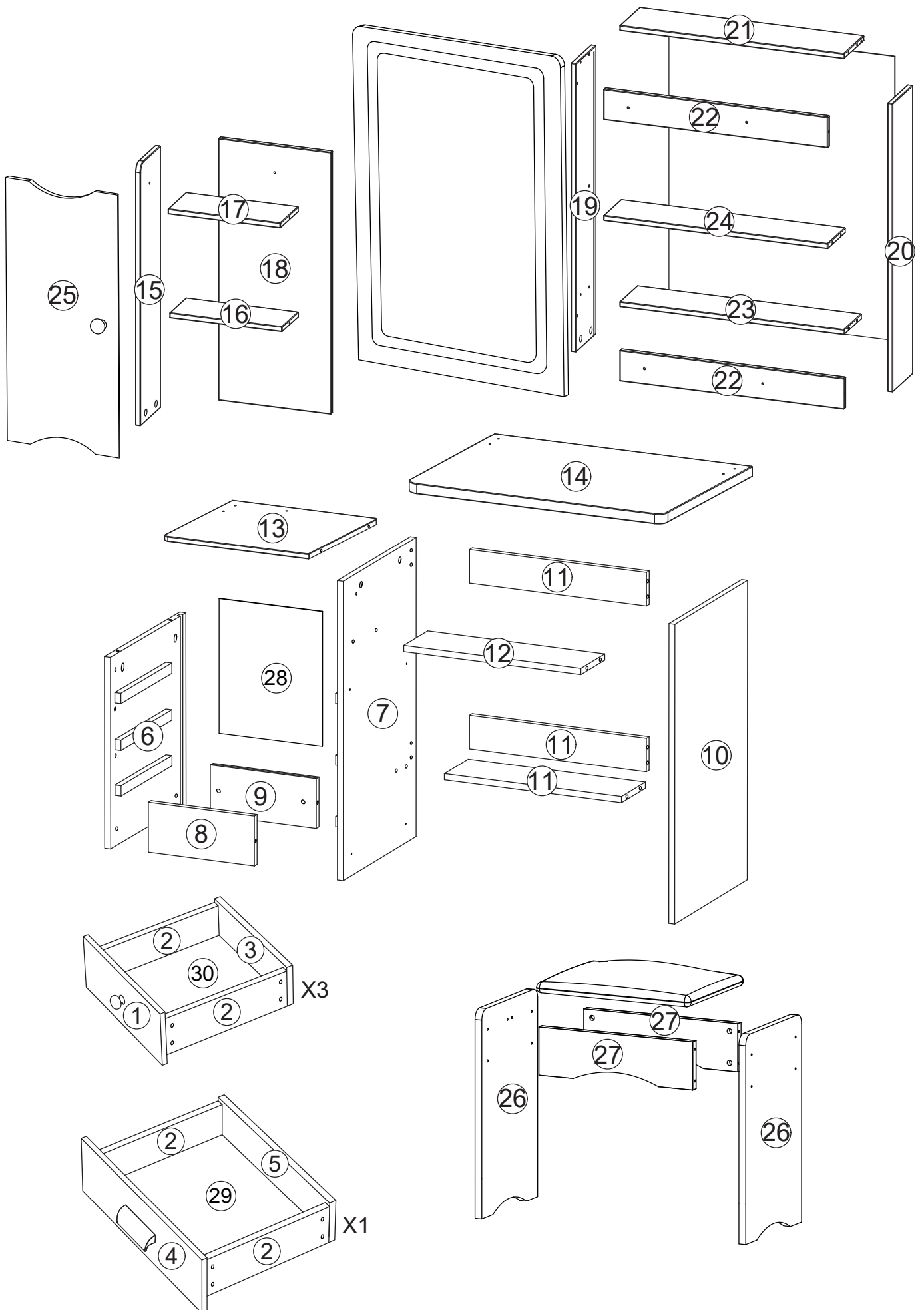


L x 4

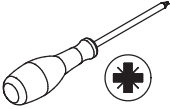
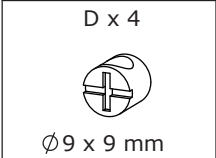


N x 1

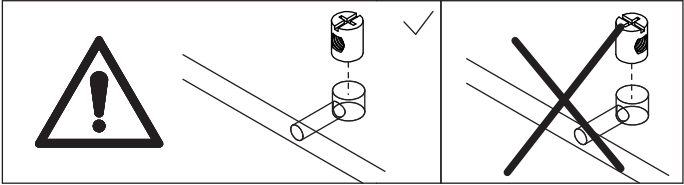




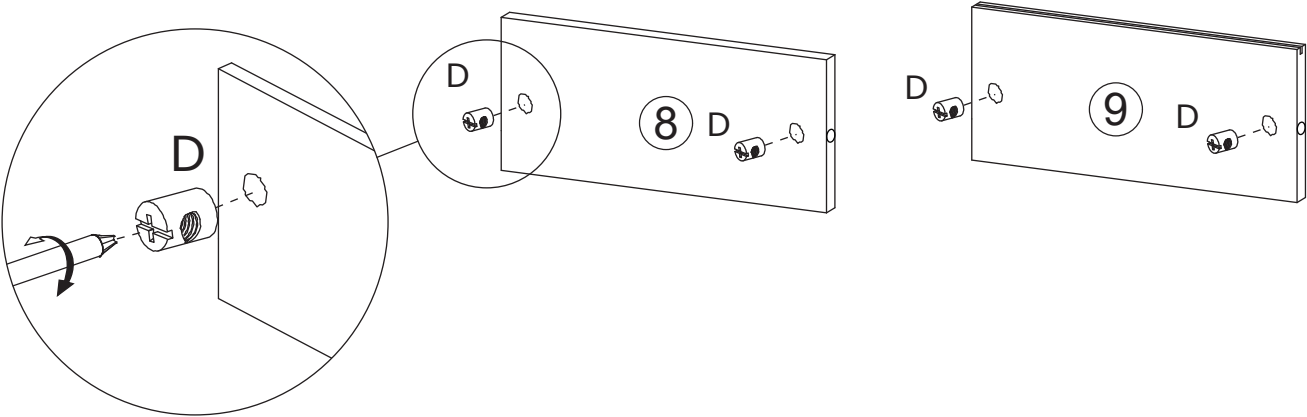
1



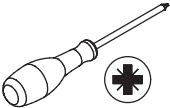
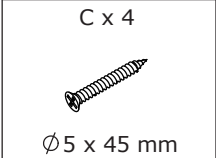
Place part(D) into corresponding holes in plate 8 and plate 9 at first.



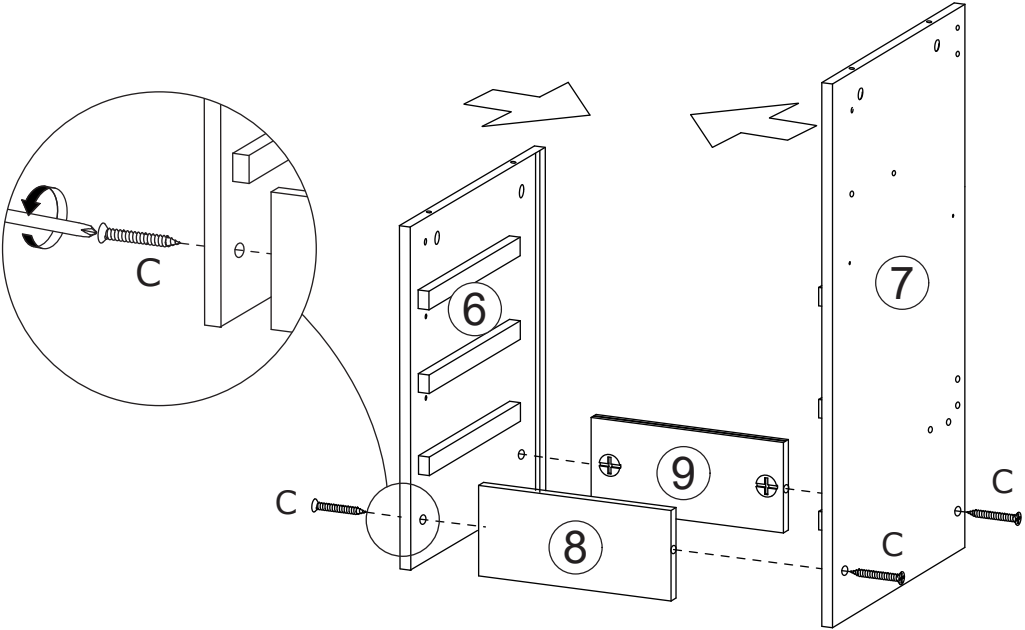
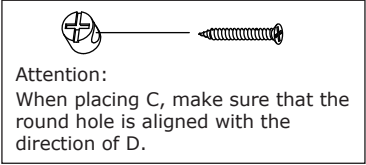
Please pay attention to its orientation as picture shown.



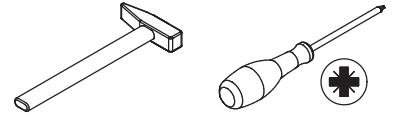
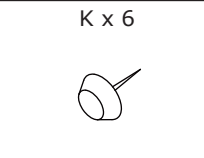
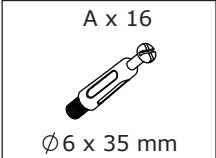
2



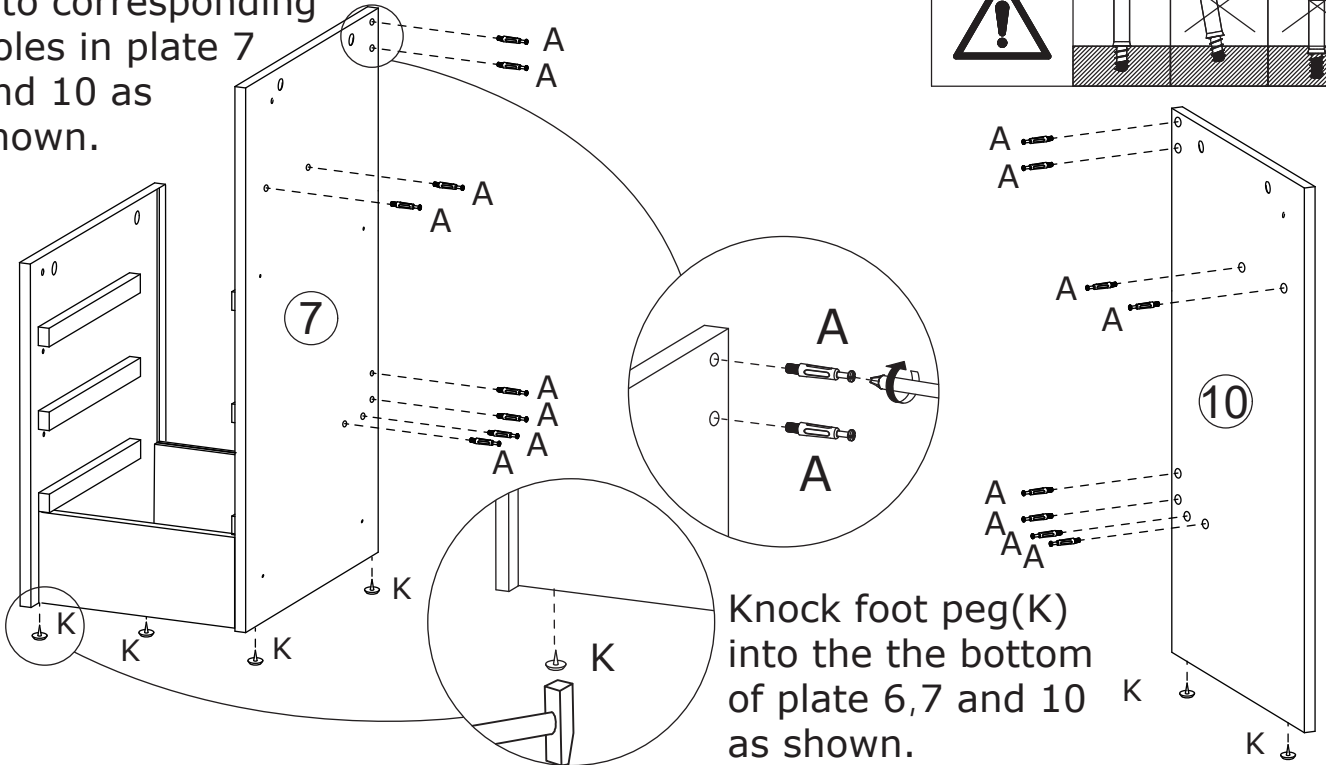
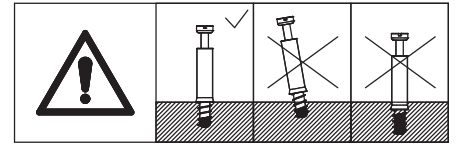
Connect plate 6 and 7 with plate 8 and 9, fix using screw(C) as shown.



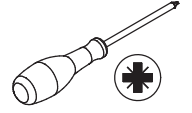
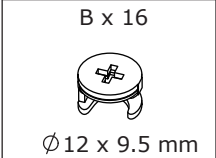
3



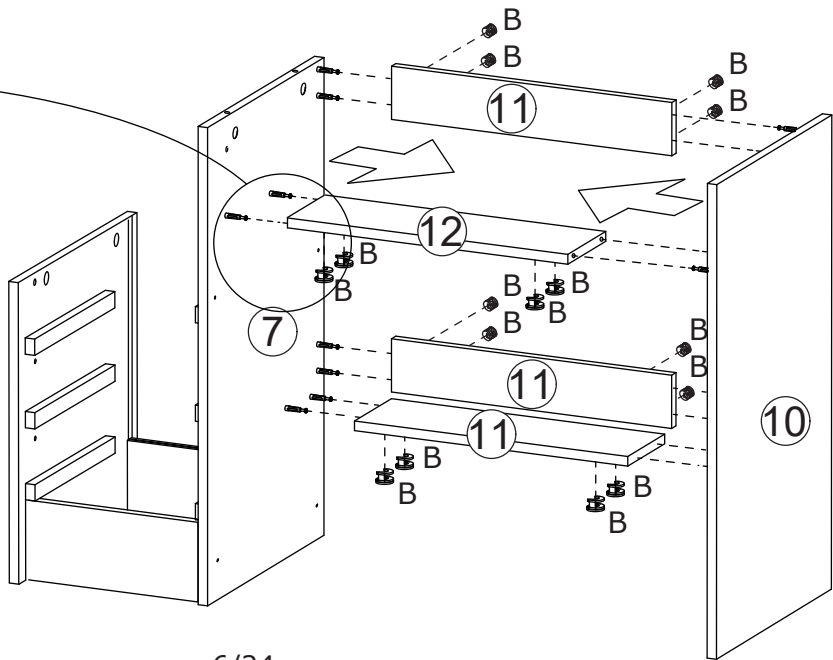
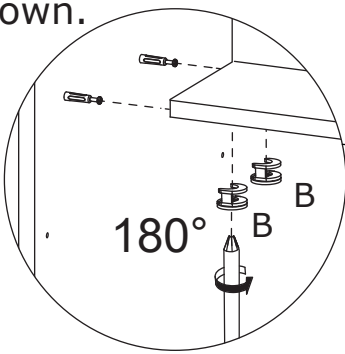
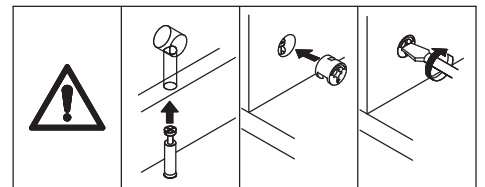
Insert quickfit screw(A) into corresponding holes in plate 7 and 10 as shown.



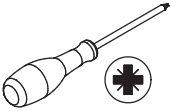
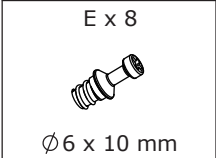
4



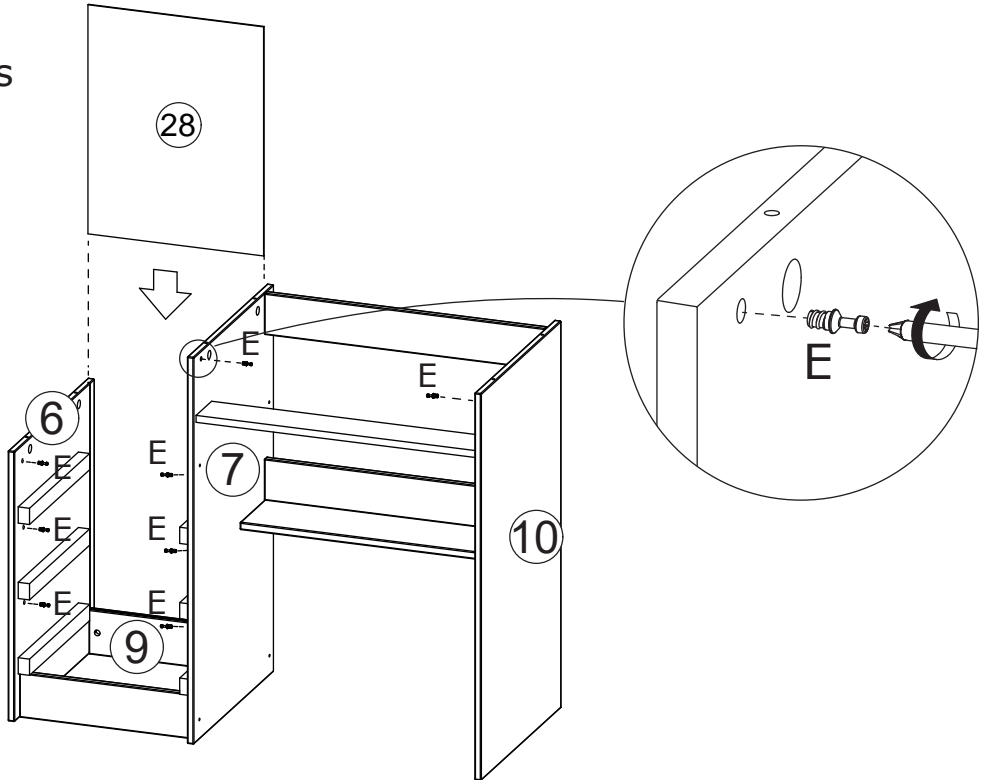
Connect plate 7 and 10 with plate 11(x3) and plate 12 at first, insert cam lock(B) into plate 11,12 and turn clockwise to tighten as shown.



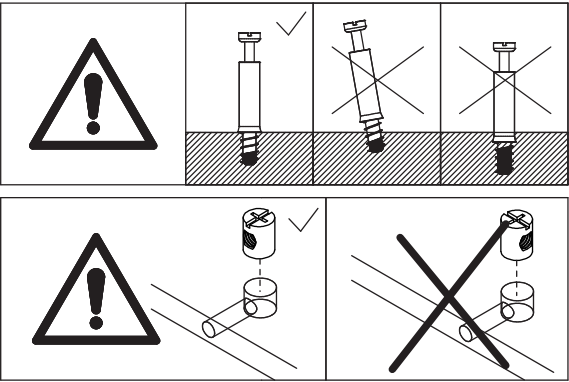
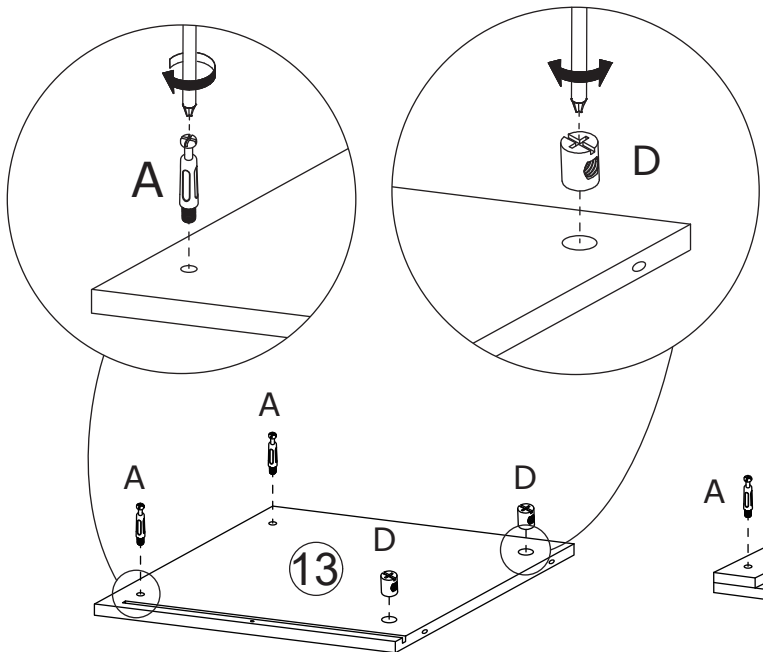
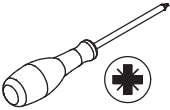
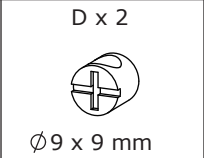
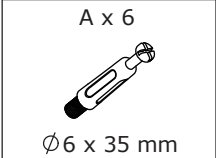
5



Slide back plate 28 along the grooves as shown.
Screw part(E) into corresponding holes in plate 6,7 and 10 as shown.




6



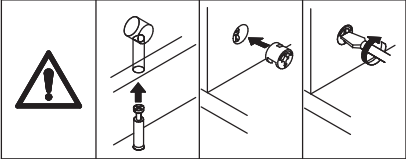
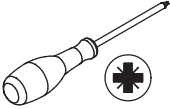
Insert quickfit screw(A) into corresponding holes in plate 13 and 14 with a screwdriver as shown.
Place part(D) into corresponding holes in plate 13 as shown.

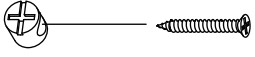
7

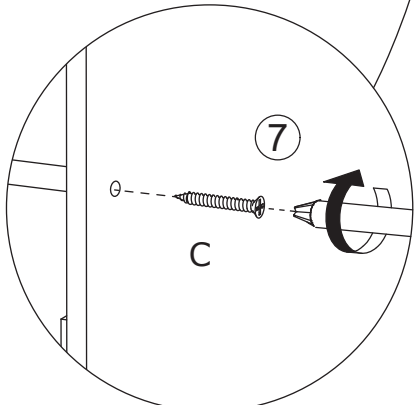
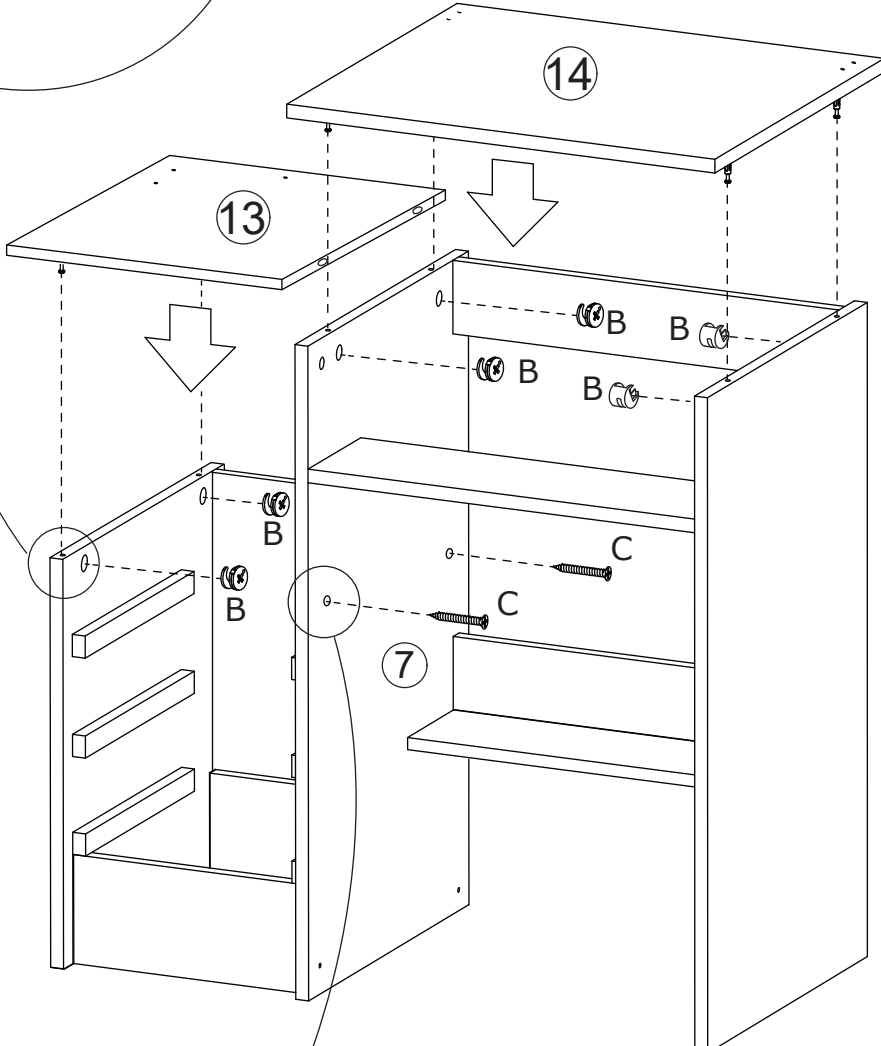
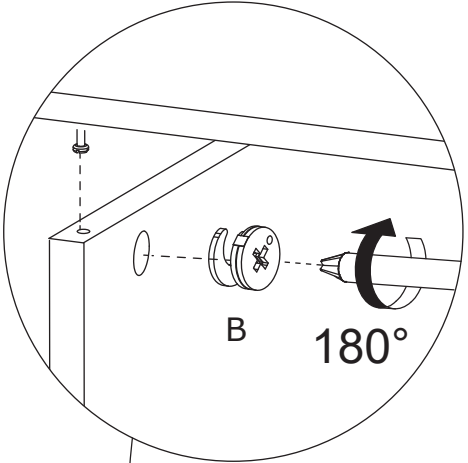
B x 6

Ø 12 x 9.5 mm

C x 2

Ø 5 x 45 mm

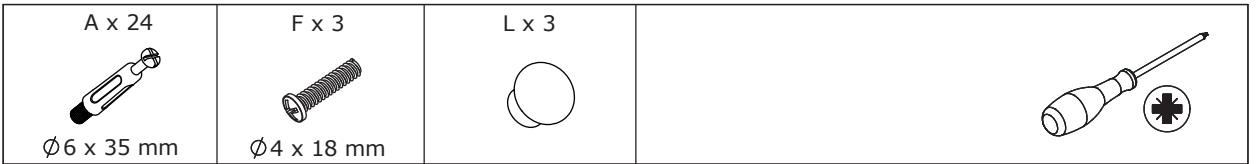



Attention:
When placing C, make sure that the round hole is aligned with the direction of D.

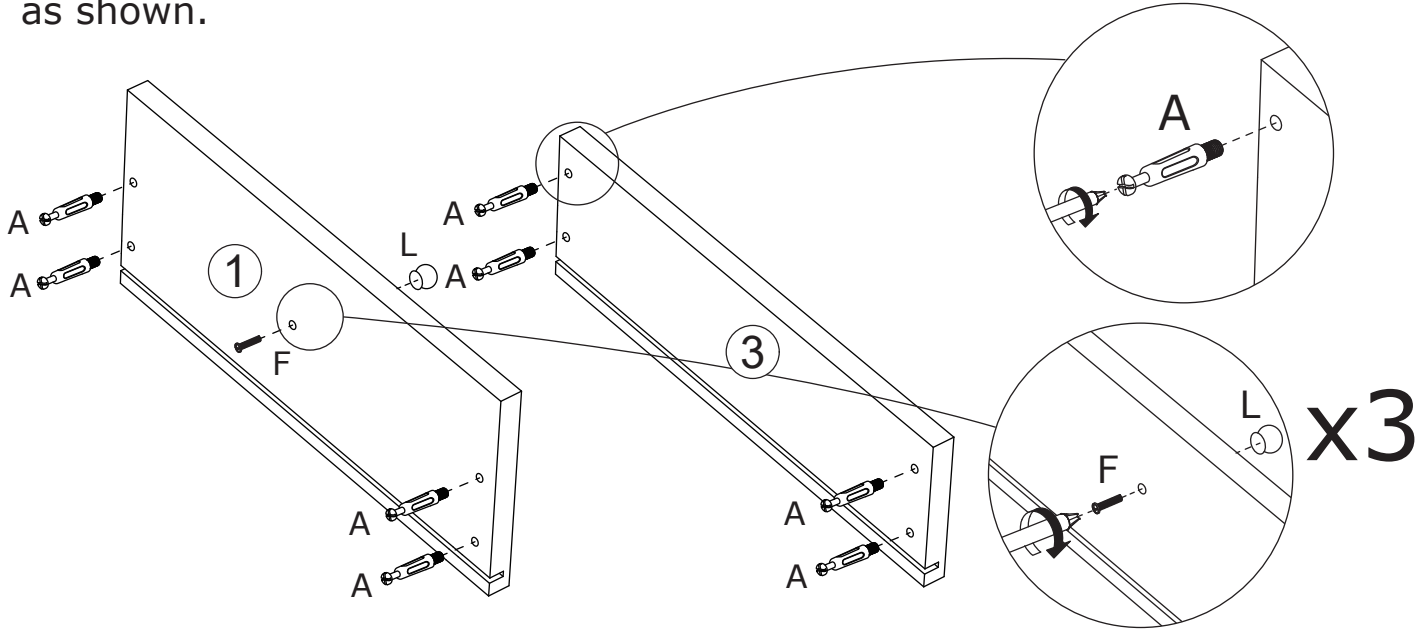
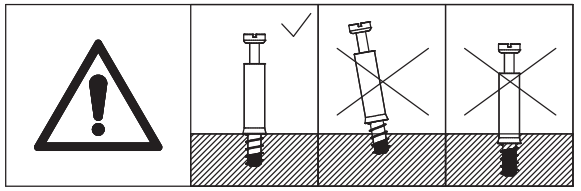


Cover plate 13 to the left top, plate 14 to right top of the component, insert cam lock(B) into plate 6,7,10 and turn clockwise to tighten as shown. Fix plate 7 with plate 13 using screw(C) as shown.

8



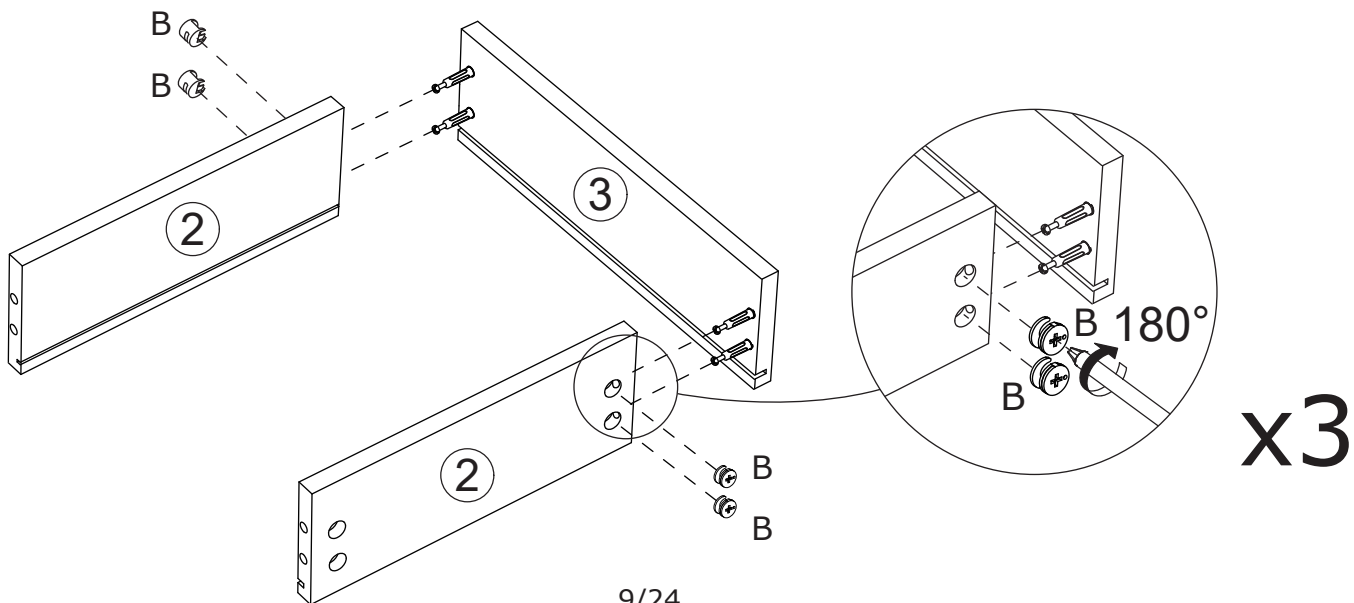
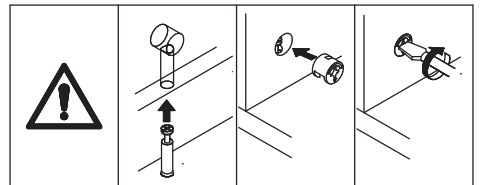
Insert quickfit screw(A) into corresponding holes in plate 1 and 3 with a screwdriver as shown.
Fix knob(L) to plate 1 with screw(F) as shown.



9

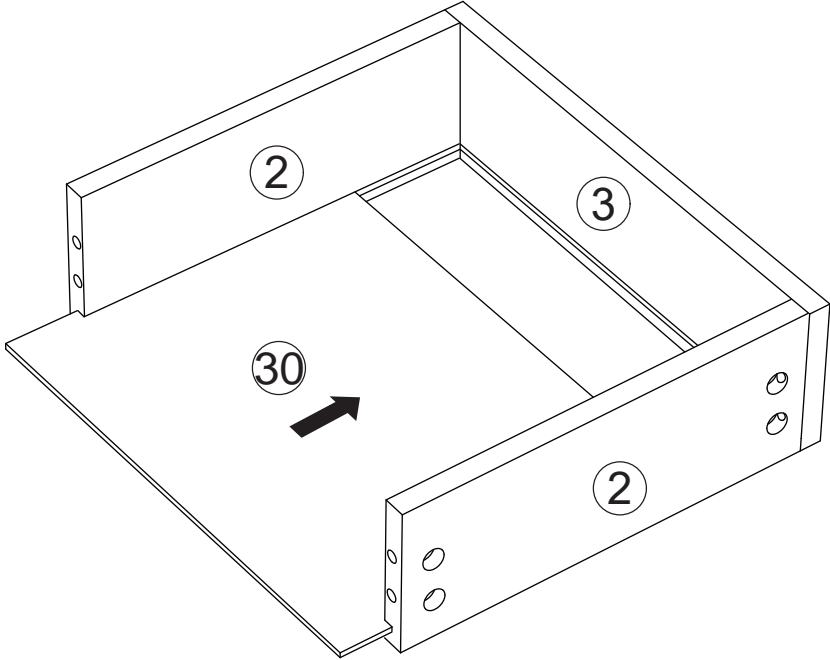


Attach plate 2 to plate 3, turn cam lock(B) in plate 2 clockwise to tighten as shown.



10

Slide SMALL drawer bottom plate 30 along the grooves as shown.

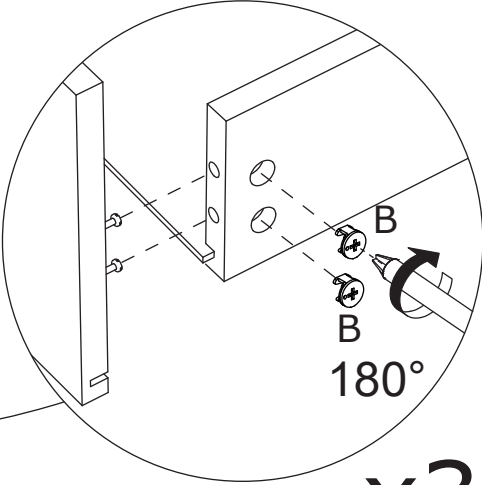
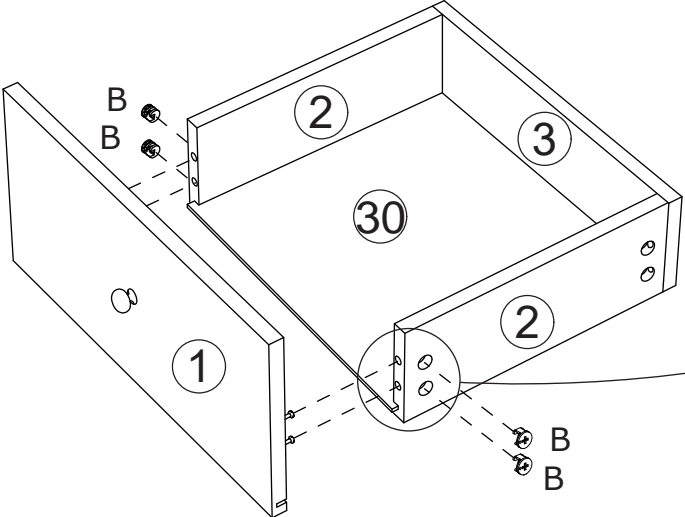
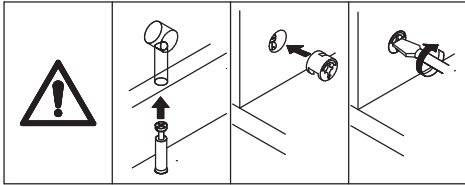


x3

11

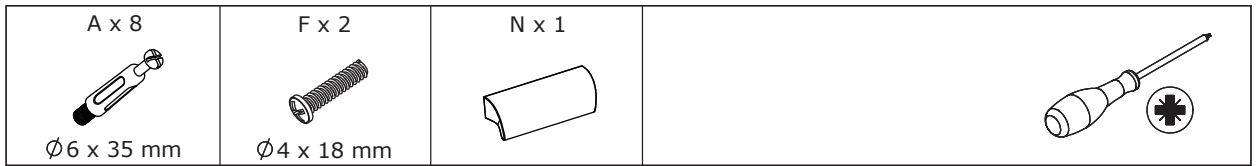


Attach drawer face plate 1, and turn cam lock(B) clockwise to tighten as shown.

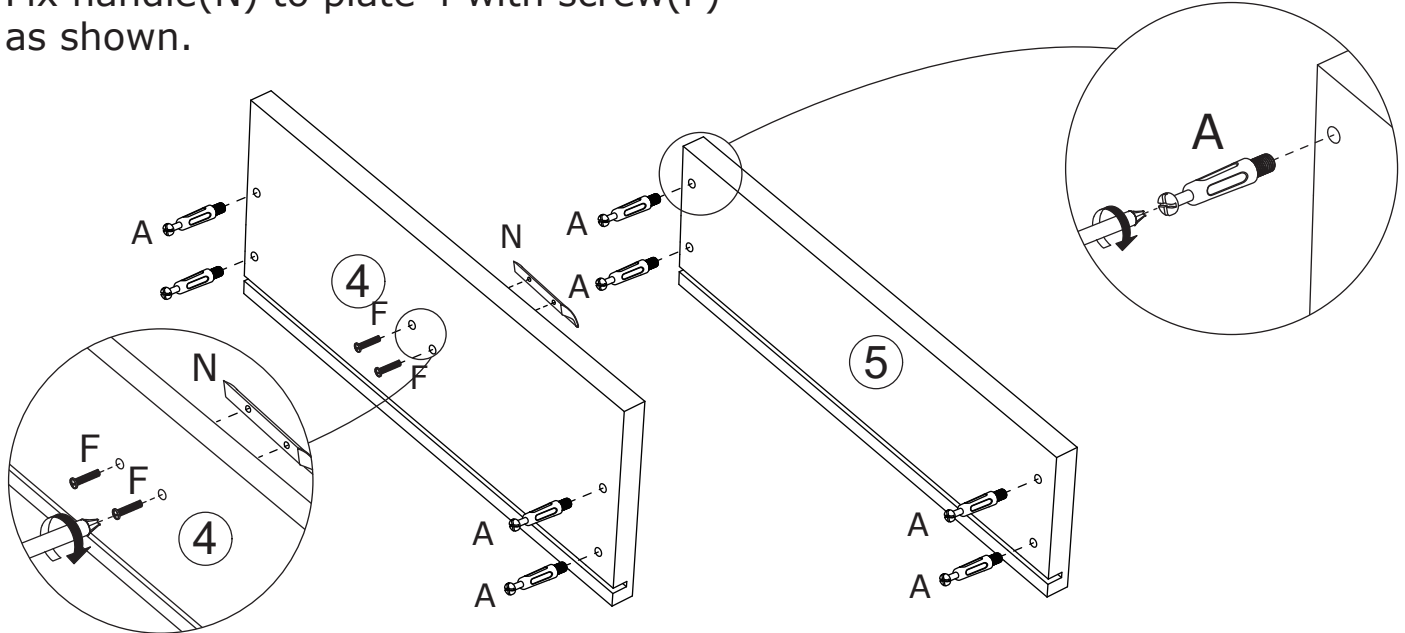
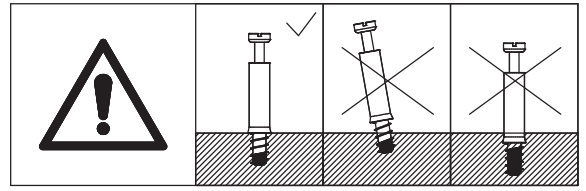


x3

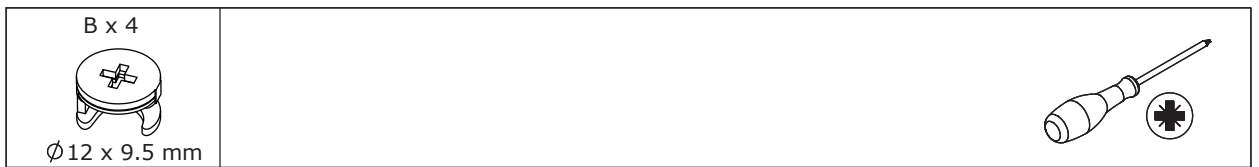
12



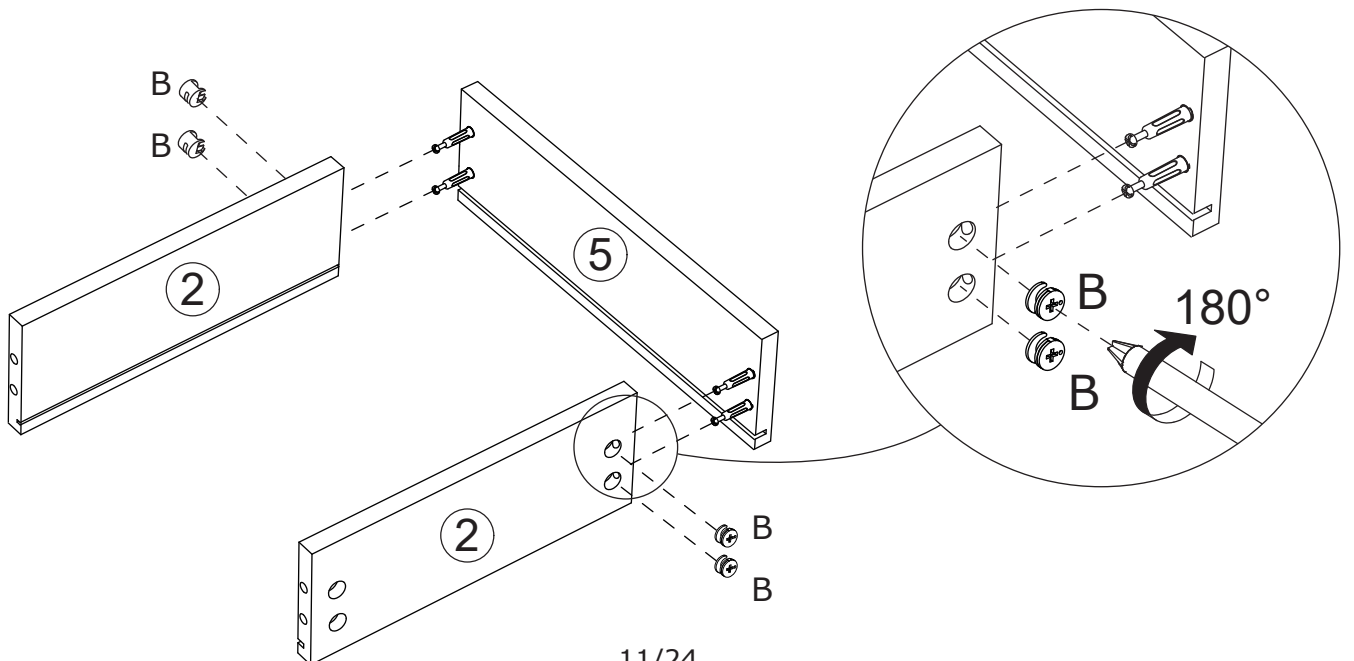
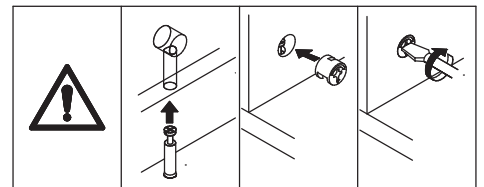
Insert quickfit screw(A) into corresponding holes in plate 4 and 5 with a screwdriver as shown.
Fix handle(N) to plate 4 with screw(F) as shown.



13

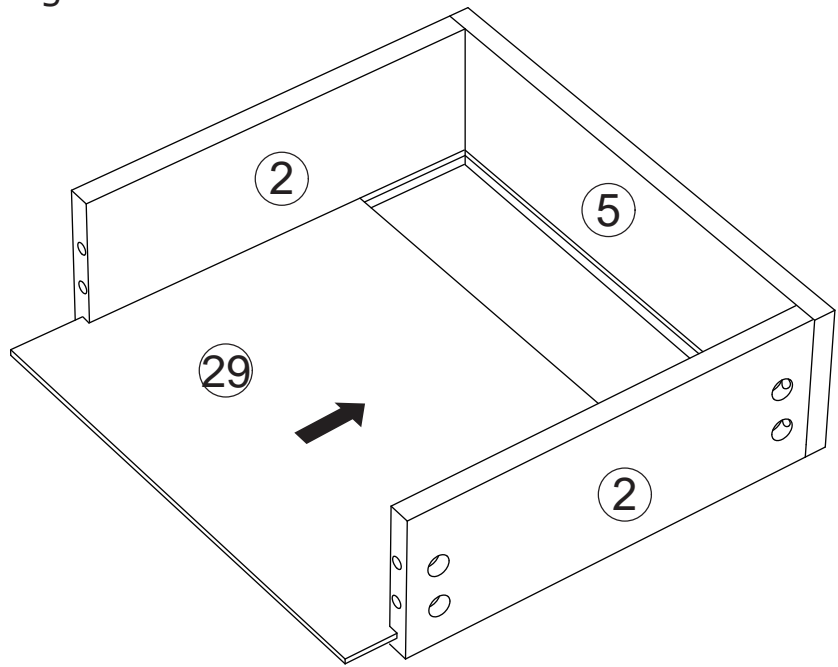


Attach plate 2 to plate 5, turn cam lock(B) in plate 2 clockwise to tighten as shown.



14

Slide BIG drawer bottom plate 29 along the grooves as shown.

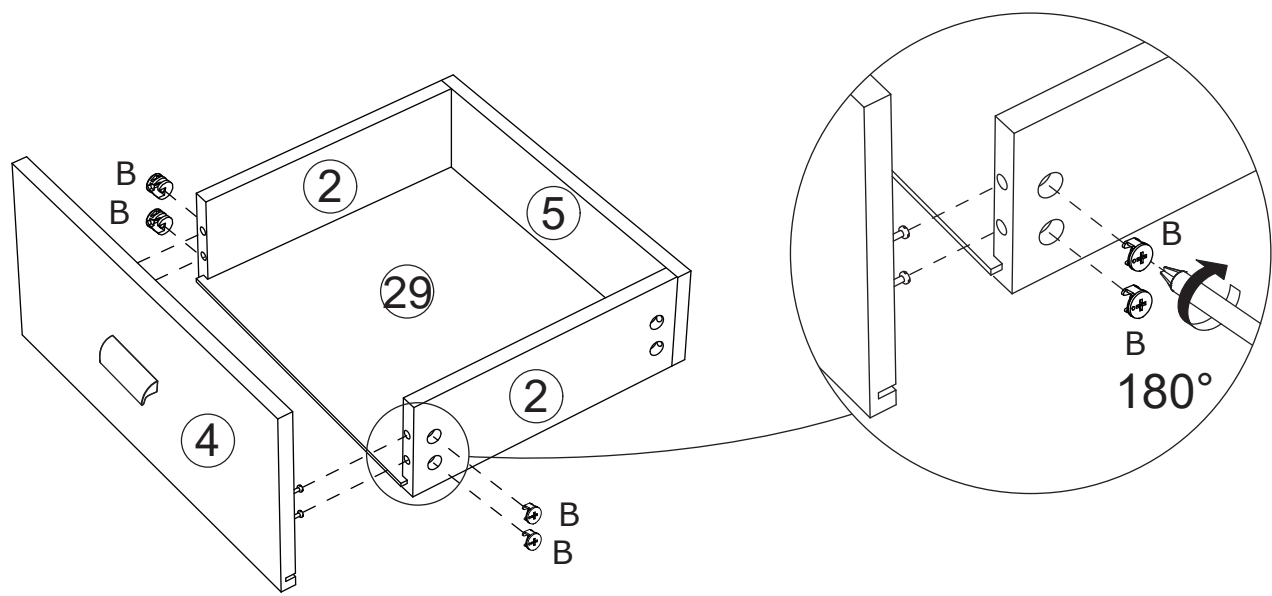
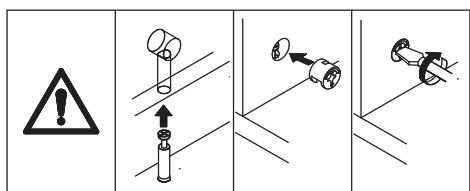


15

B x 4
Ø 12 x 9.5 mm

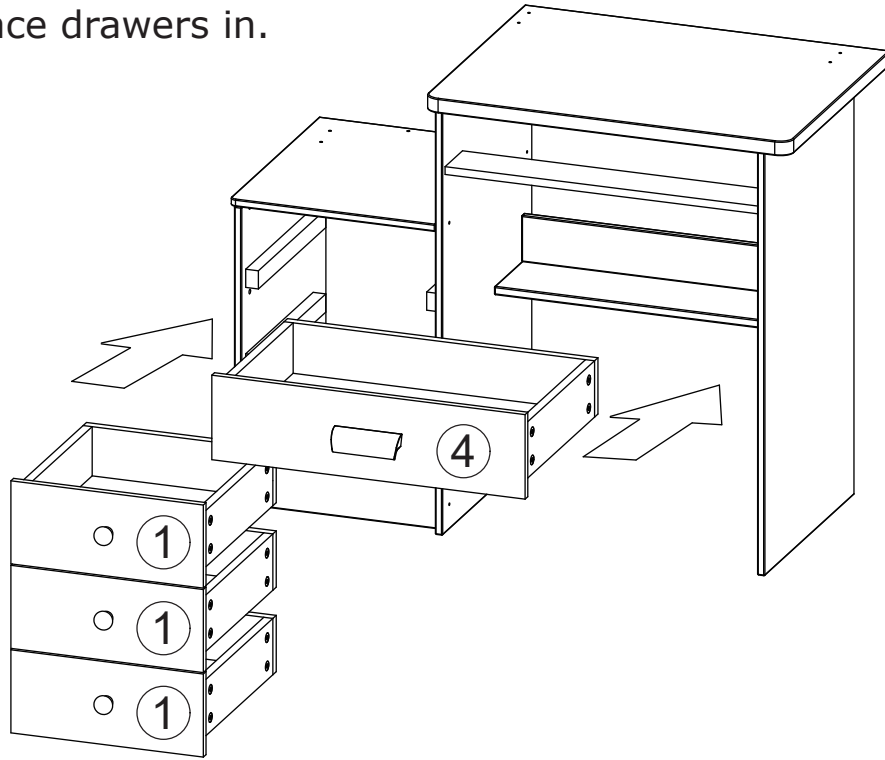


Attach drawer face plate 4, and turn cam lock(B) clockwise to tighten as shown.



16

Place drawers in.

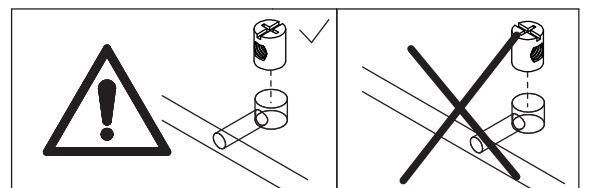
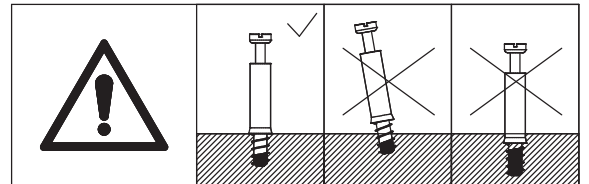
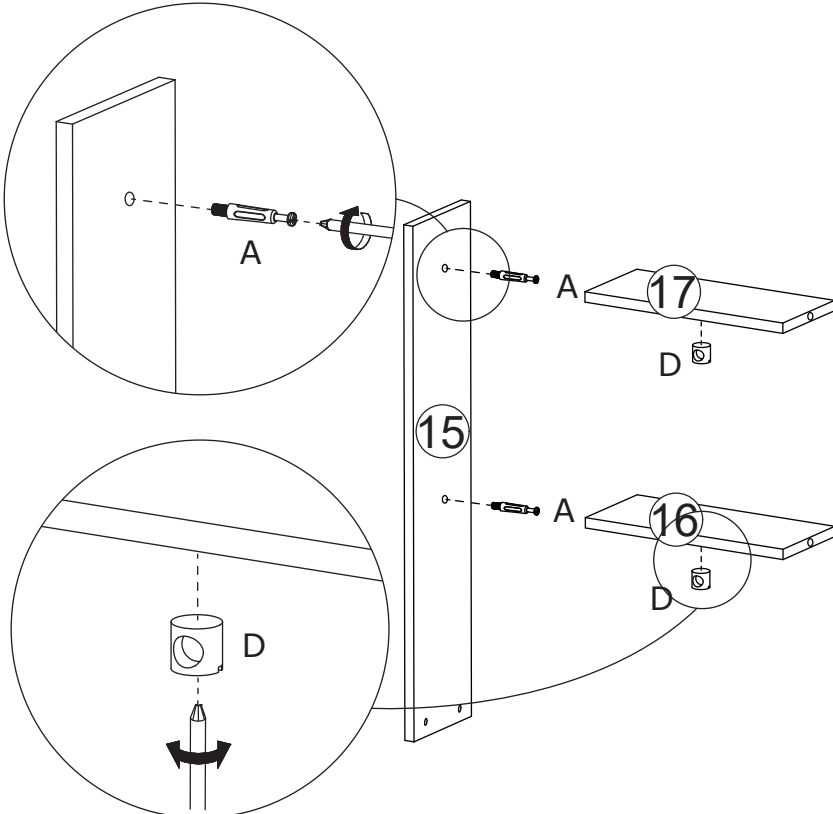
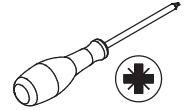


17

A x 2



D x 2



Insert quickfit screw(A)
into plate 15 at first.

Place part(D) into plate 16
and plate 17 as shown.

18

B x 2

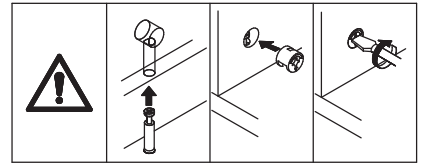
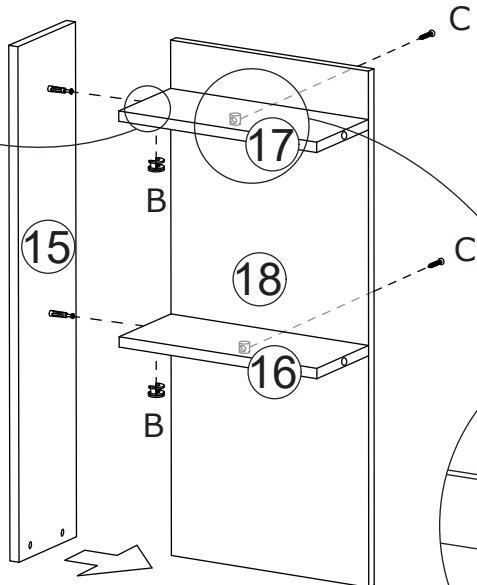
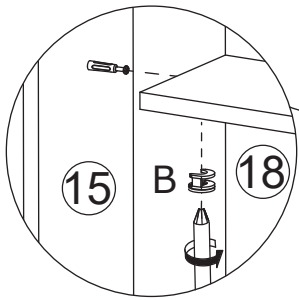
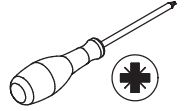


Ø12 x 9.5 mm

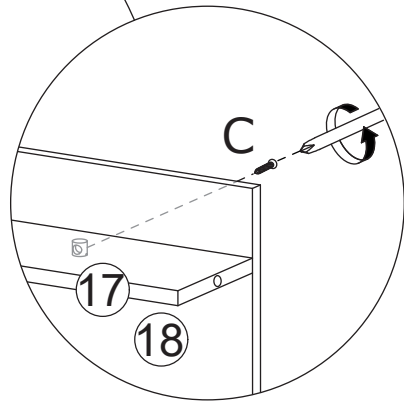
C x 2



Ø5 x 45 mm



Attention:
When placing C, make sure that the round hole is aligned with the direction of D.



Attach plate 16 and 17 to plate 15, turn cam lock(B) clockwise to tighten as shown. Fix plate 18 with plate 16 and 17 using screw(C) as shown.

19

A x 2

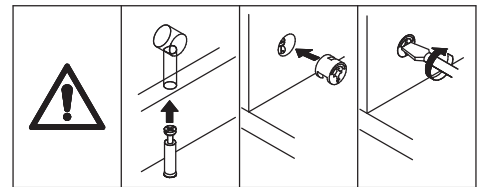
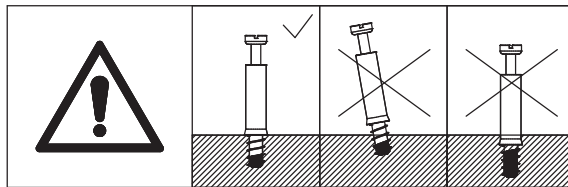
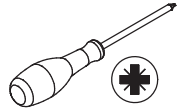


Ø6 x 35 mm

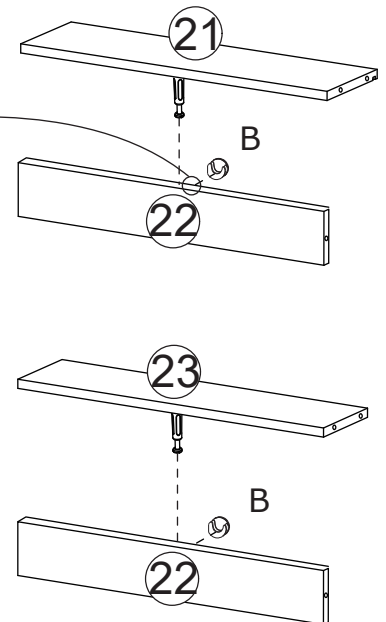
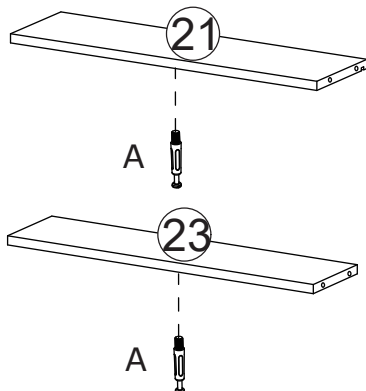
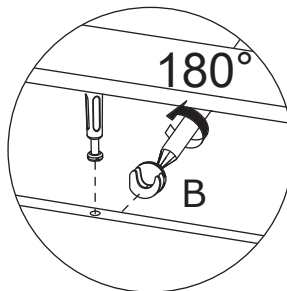
B x 2



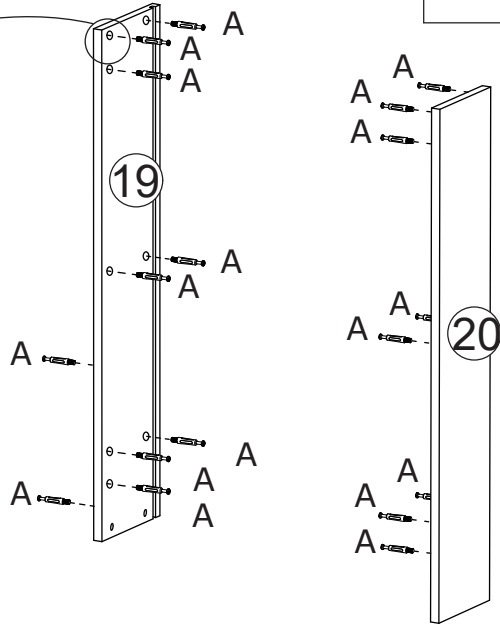
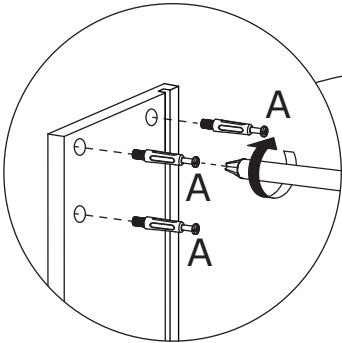
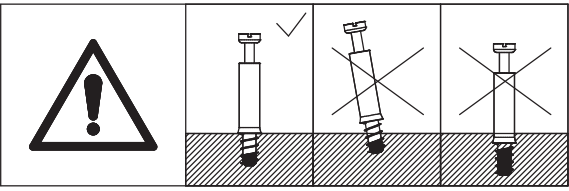
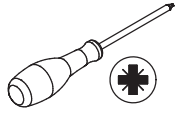
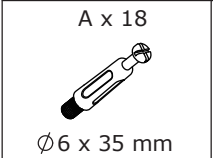
Ø12 x 9.5 mm



Insert quickfit screw(A) into plate 21 and 23 at first. Attach plate 21 and 23 to plate 22 respectively, turn cam lock(B) clockwise to tighten as shown.

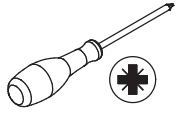
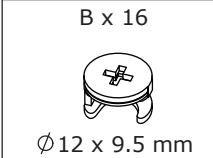


20

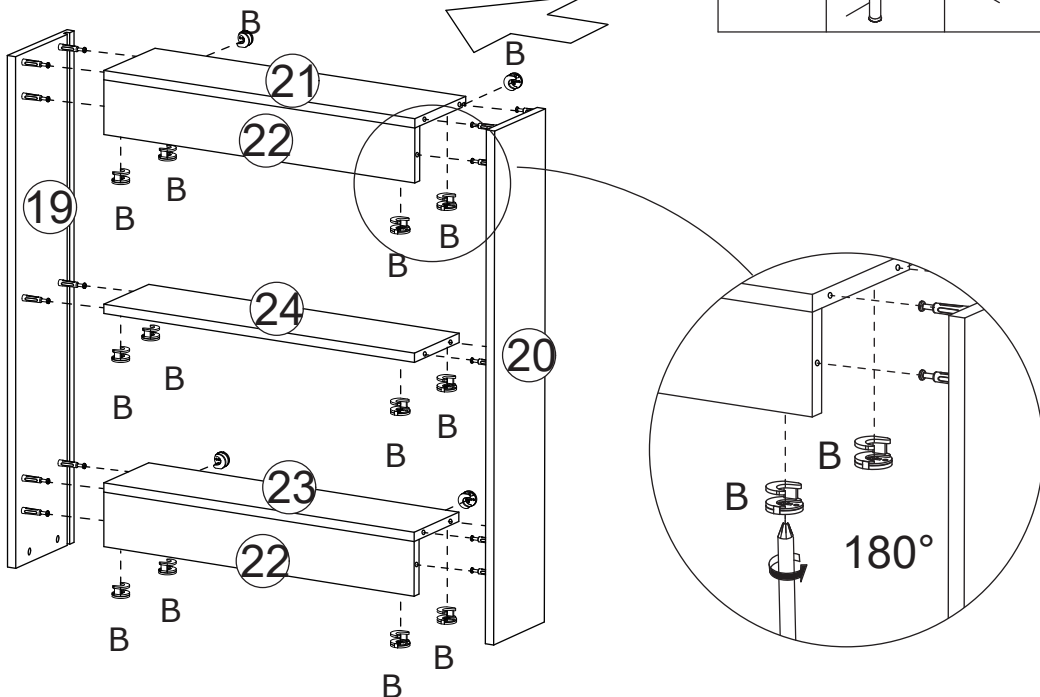
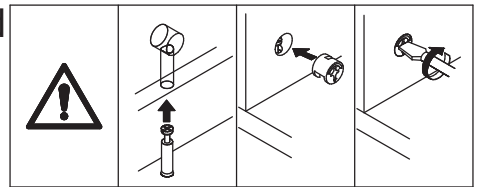


Insert quickfit screw(A) into corresponding holes in plate 19 and 20 with a screwdriver as shown.

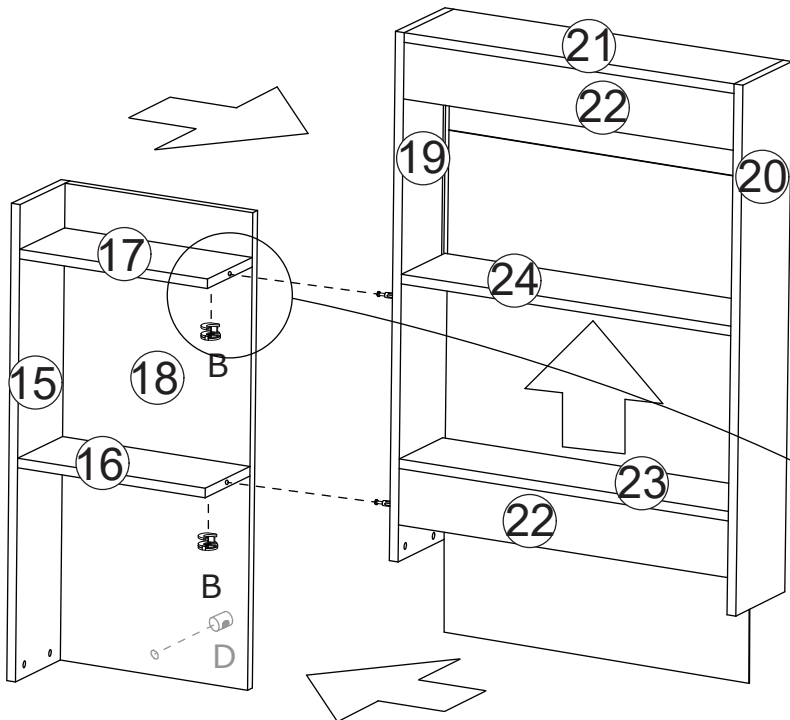
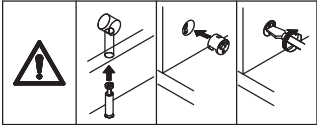
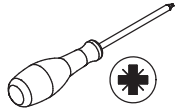
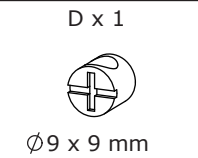
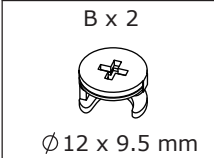
21



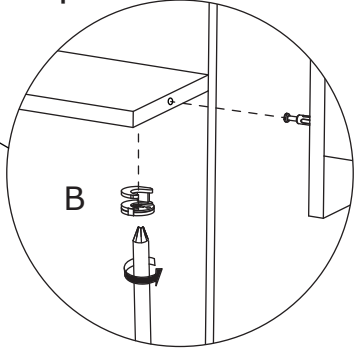
Connect plate 19 and 20 with plate 21,22,23 and 24 at first, and turn cam lock(B) clockwise to tighten as shown.



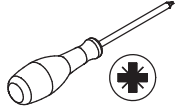
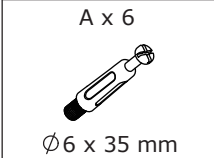
22



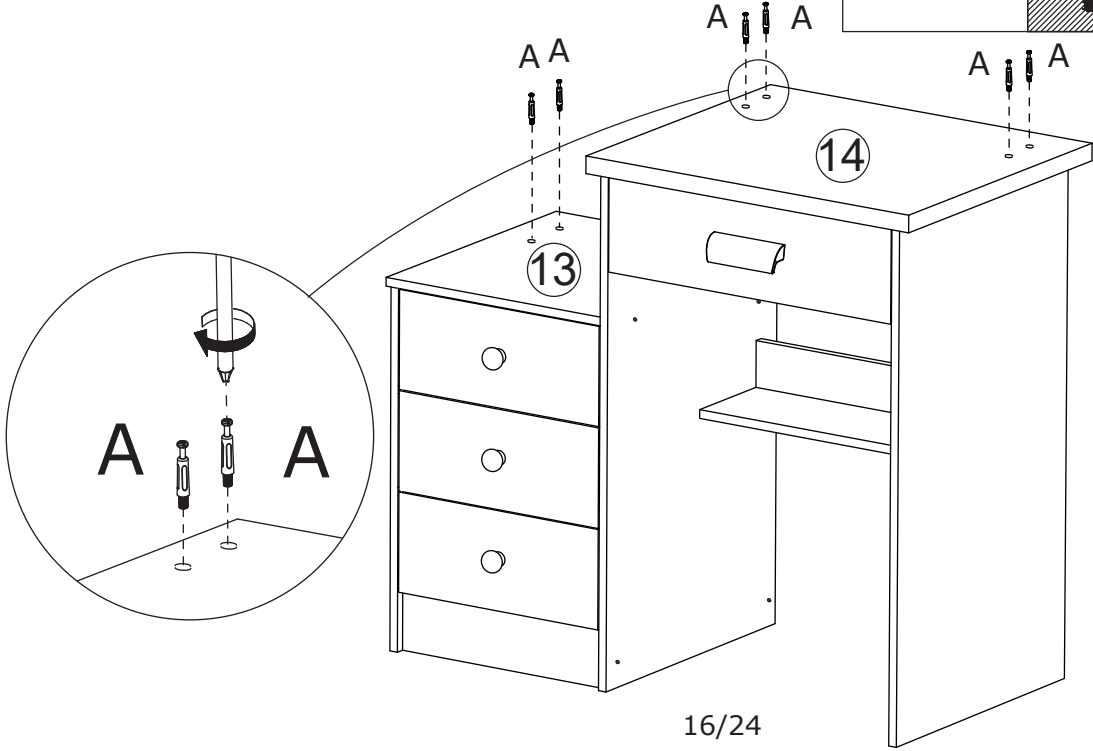
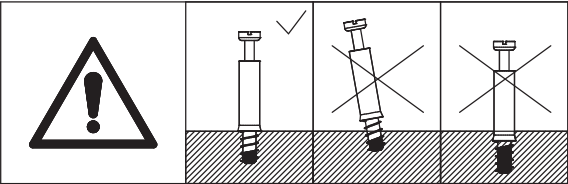
Connect plate 19 with plate 16 and 17 at first, and turn cam lock(B) clockwise to tighten as shown.
Insert part(D) into back hole of plate 18 as shown.



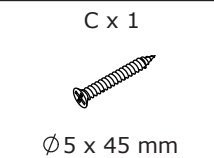
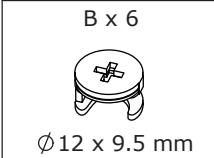
23



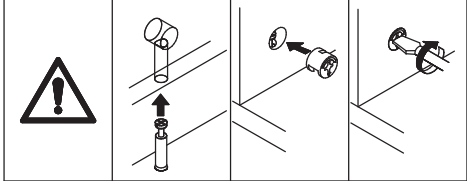
Insert quickfit screw(A) into plate 13 and 14 at first.



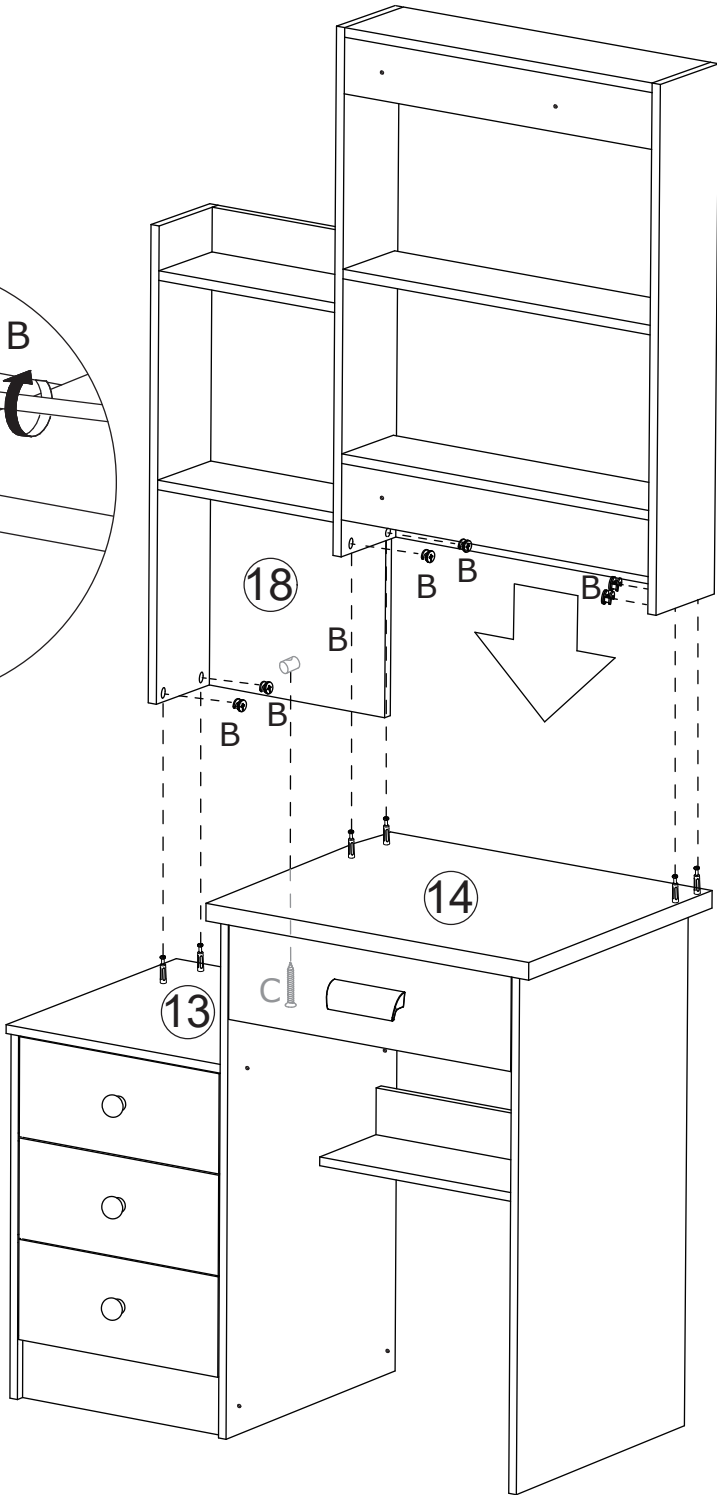
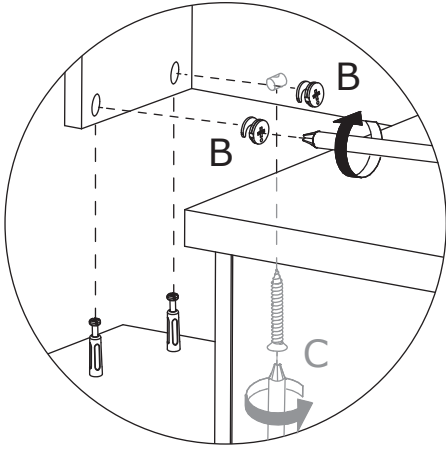
24

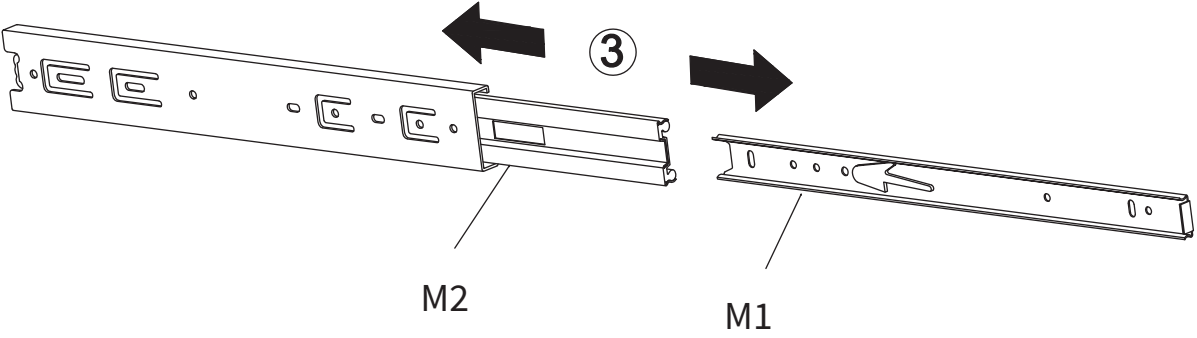
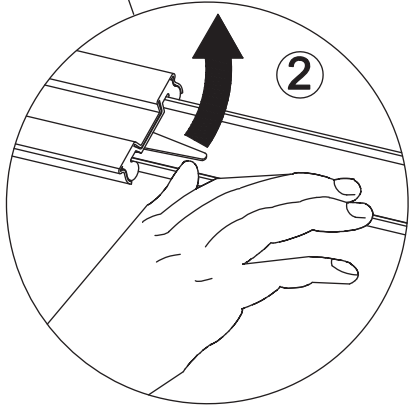
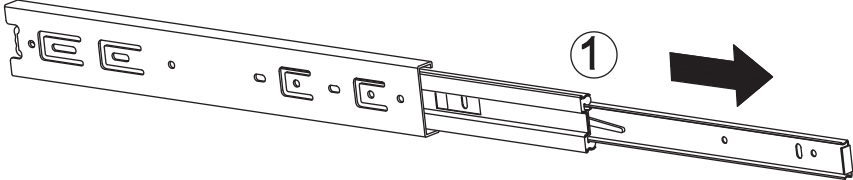
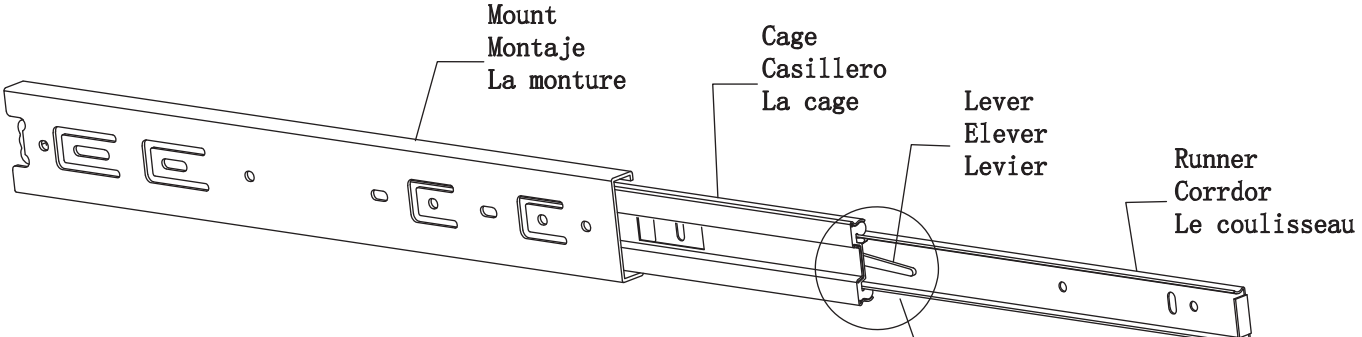


Connect the two components, and turn cam lock(B) clockwise to tighten as shown.

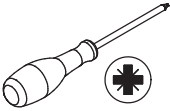
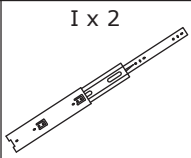
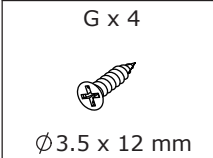


Fix plate 13 with plate 18 using screw(C) as shown.

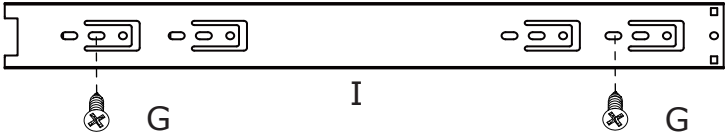
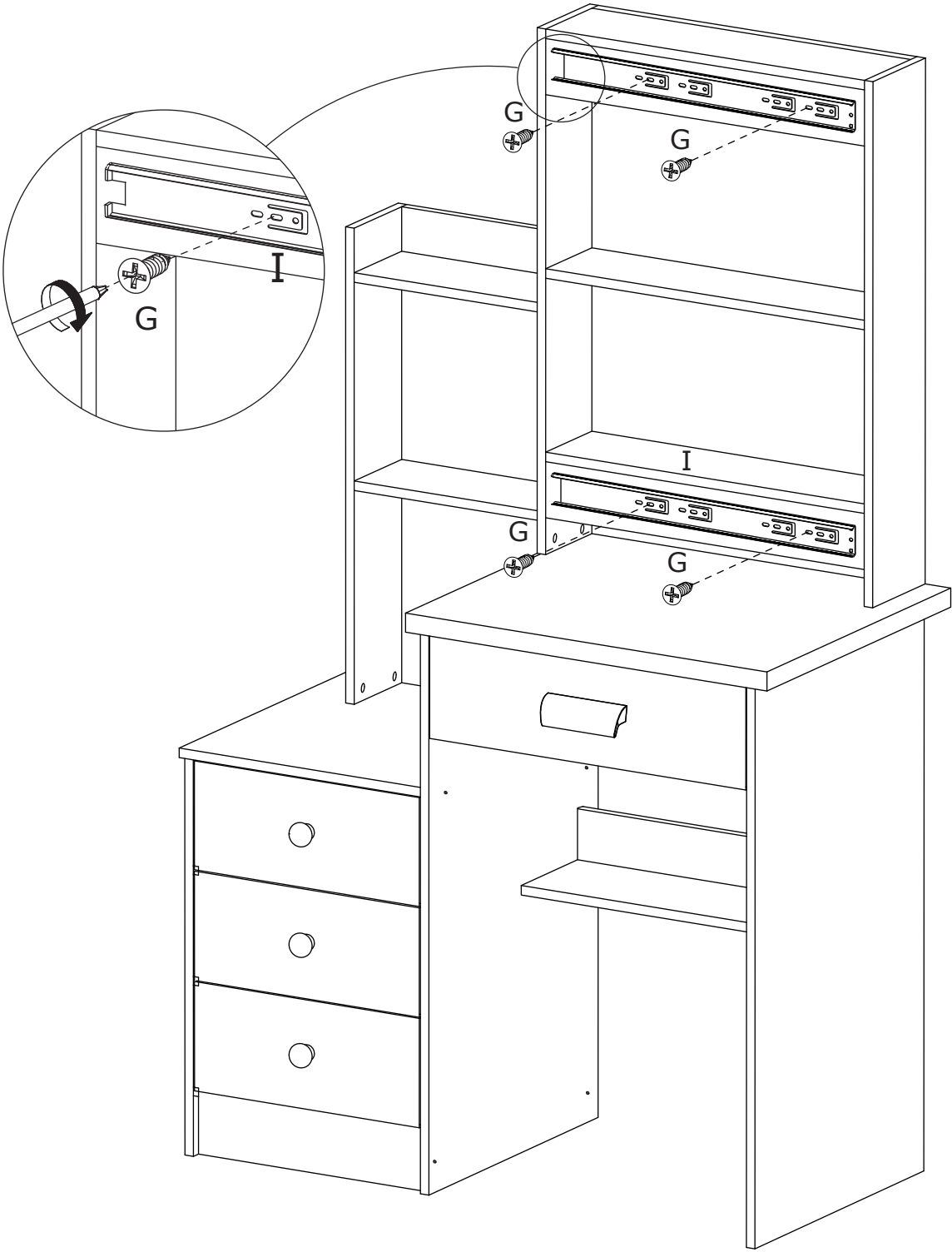




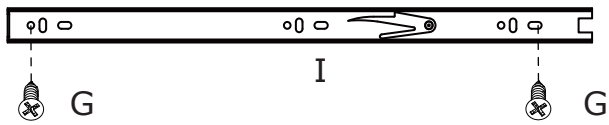
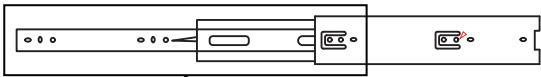
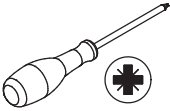
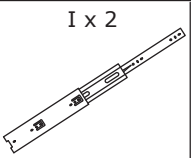
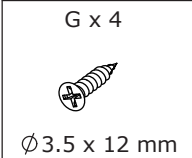
26



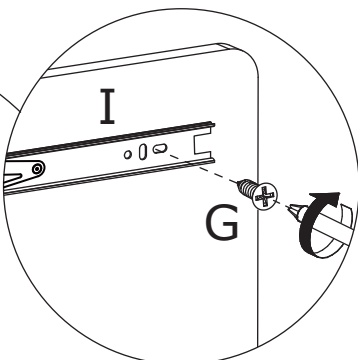
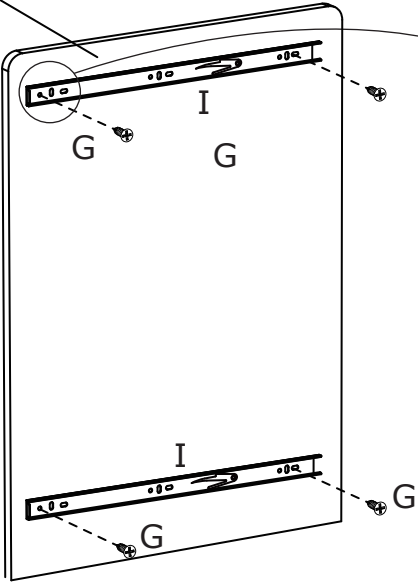
Separate glide into two parts at first.
Fix slide rail(I) to plate 22 using screw(G) as shown.



27

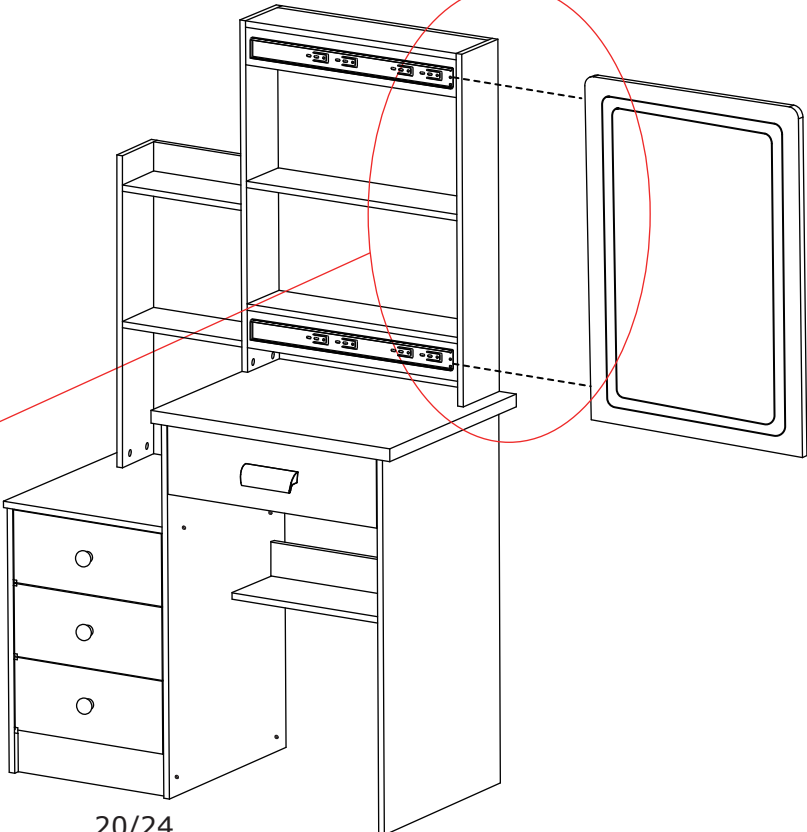


Fix runner(I) to the back of the mirror using screw(G) as shown.





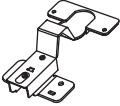
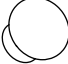
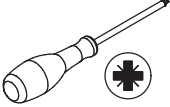
28

Align rails, slide the mirror as shown.

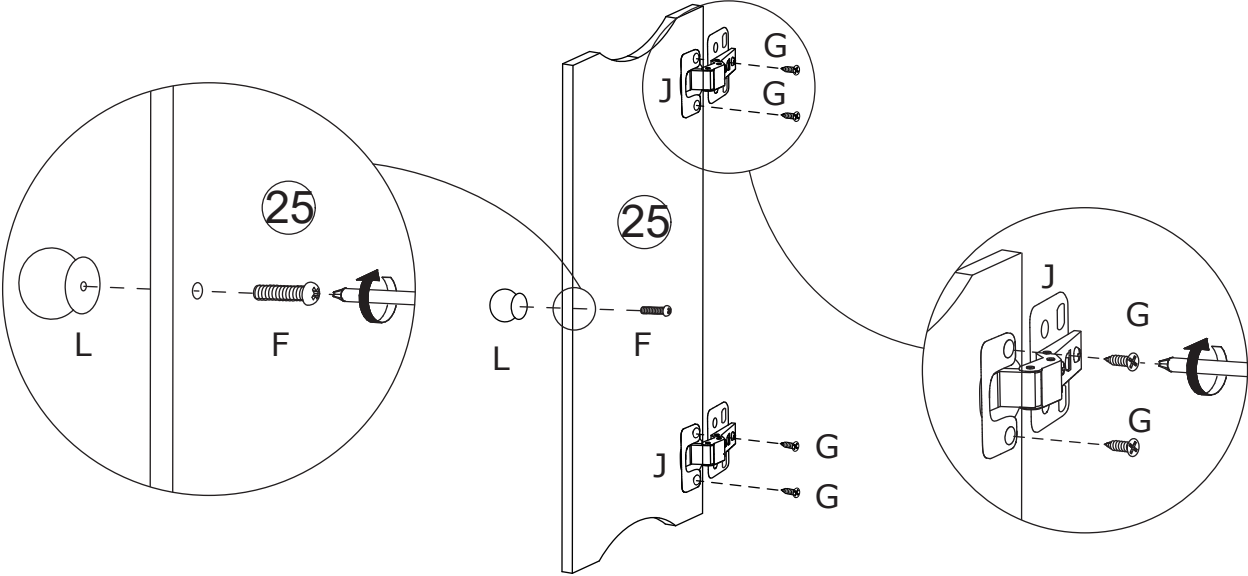


Attention:
The slide rail should be inserted in line with the slide way

29

F x 1  Ø4 x 18 mm	G x 4  Ø3.5 x 12 mm	J x 2 	L x 1 	
--	--	--	--	---

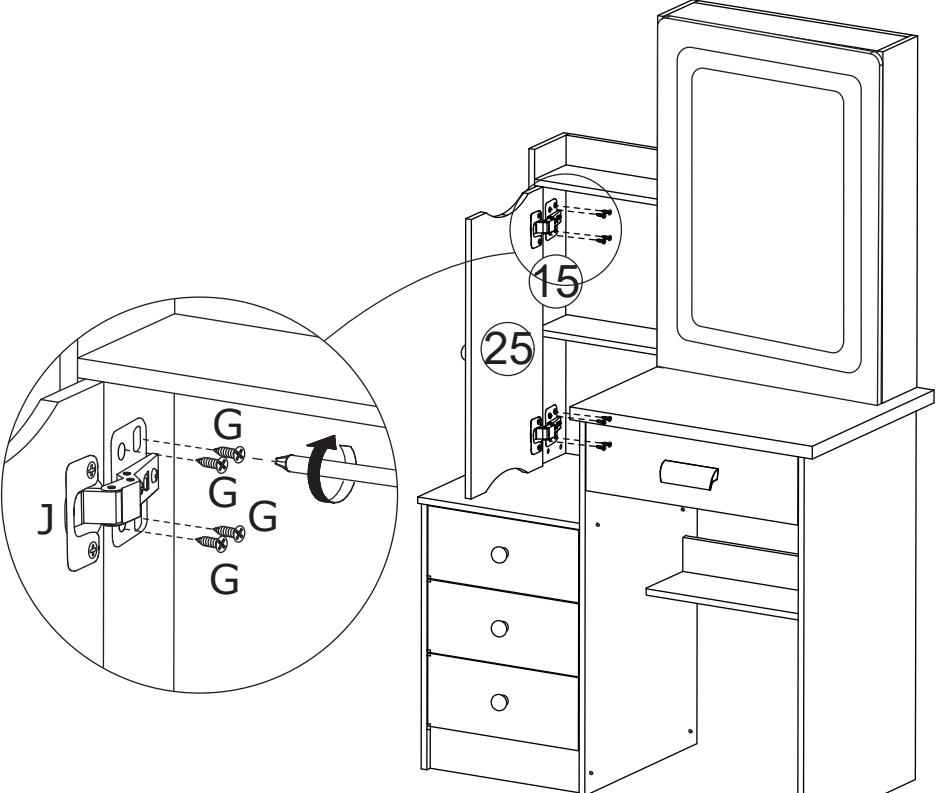
Fix hinge(J) to plate 25 using screw(G) as shown.
Fix knob(L) using screw(F).

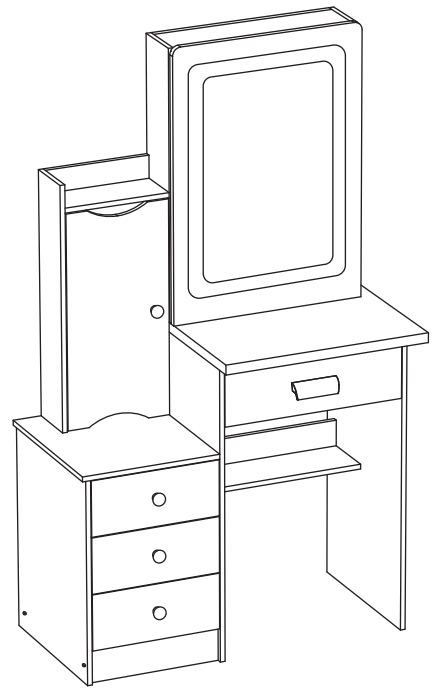


30

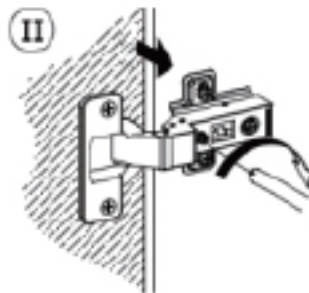
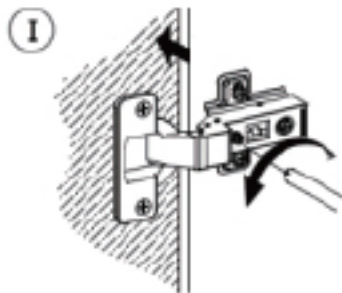
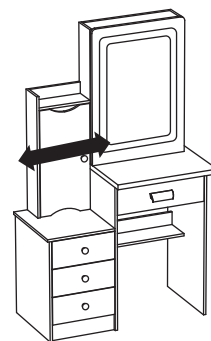
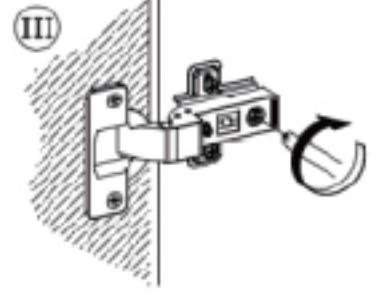
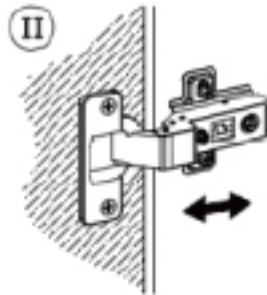
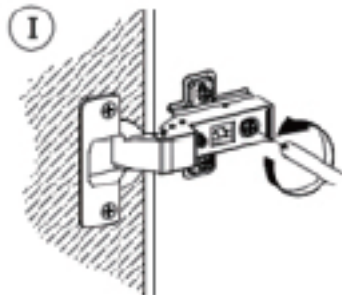
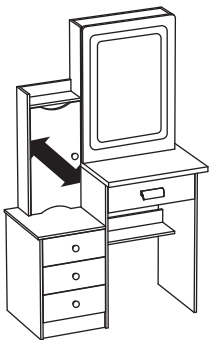
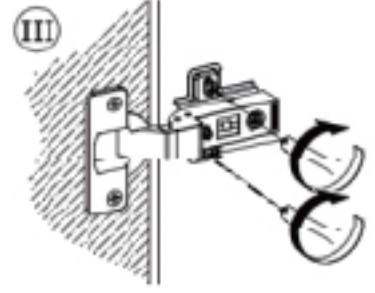
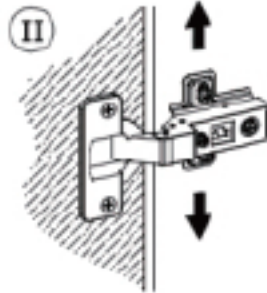
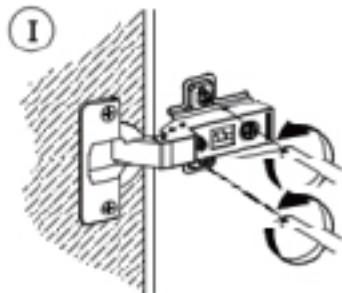
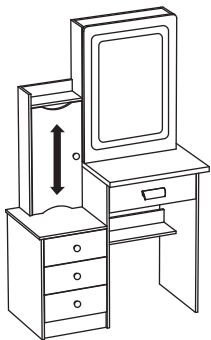
G x 8  Ø3.5 x 12 mm	
--	---

Attach door plate 25 to plate 15 by fixing hinge using screw(G) as shown.

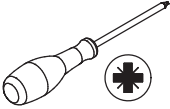
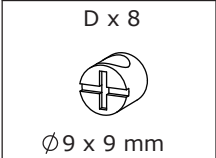




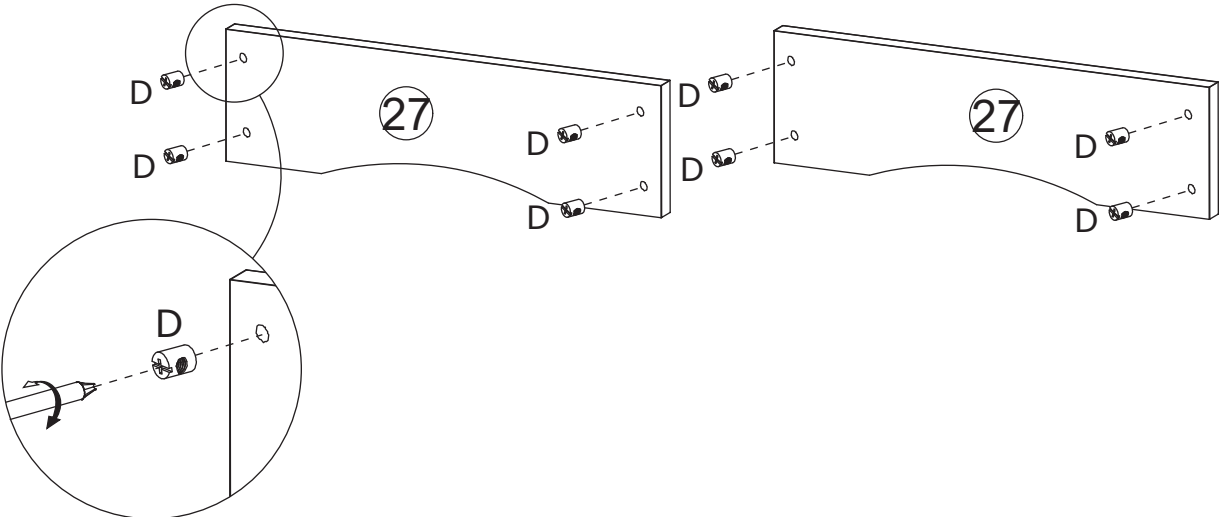
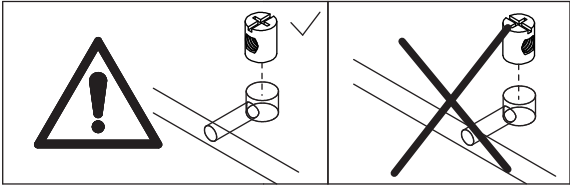
If there is misalignment after you install, adjust the screw to the best condition



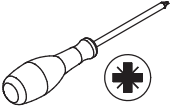
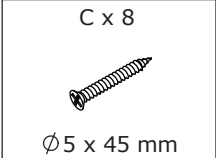
32



Place part(D) into plate 27 at first.

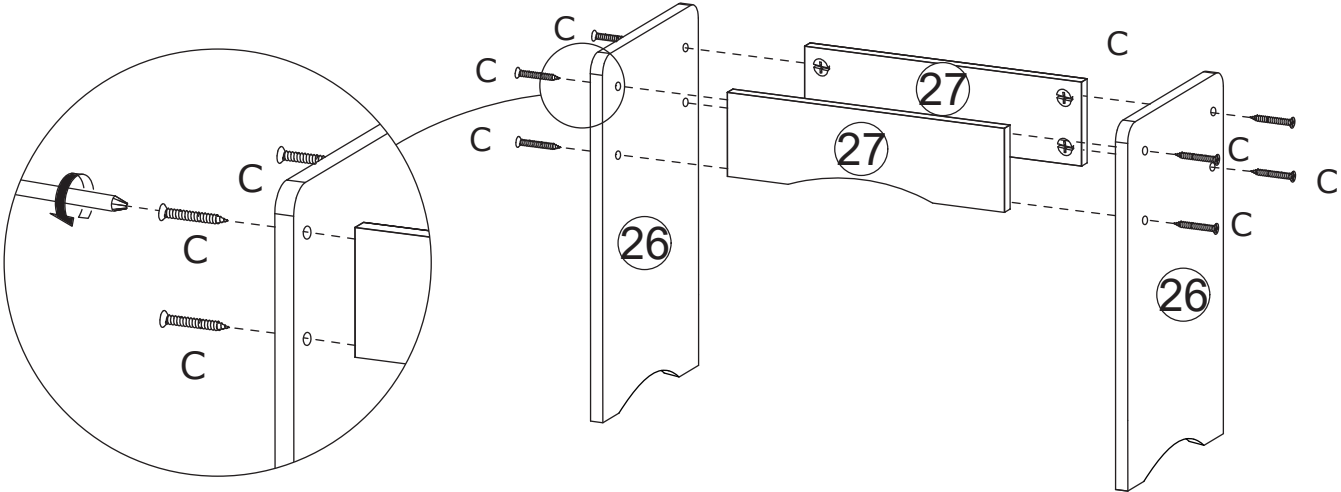


33

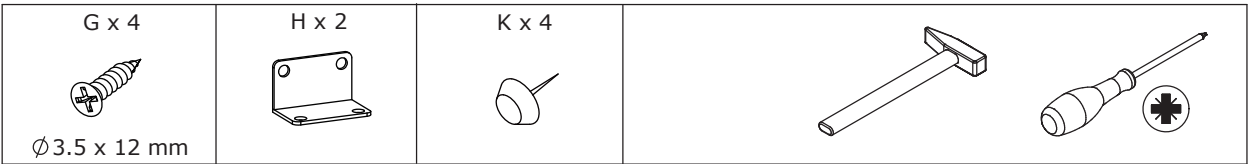


Connect plate 26 with plate 27 using screw(C) as shown.

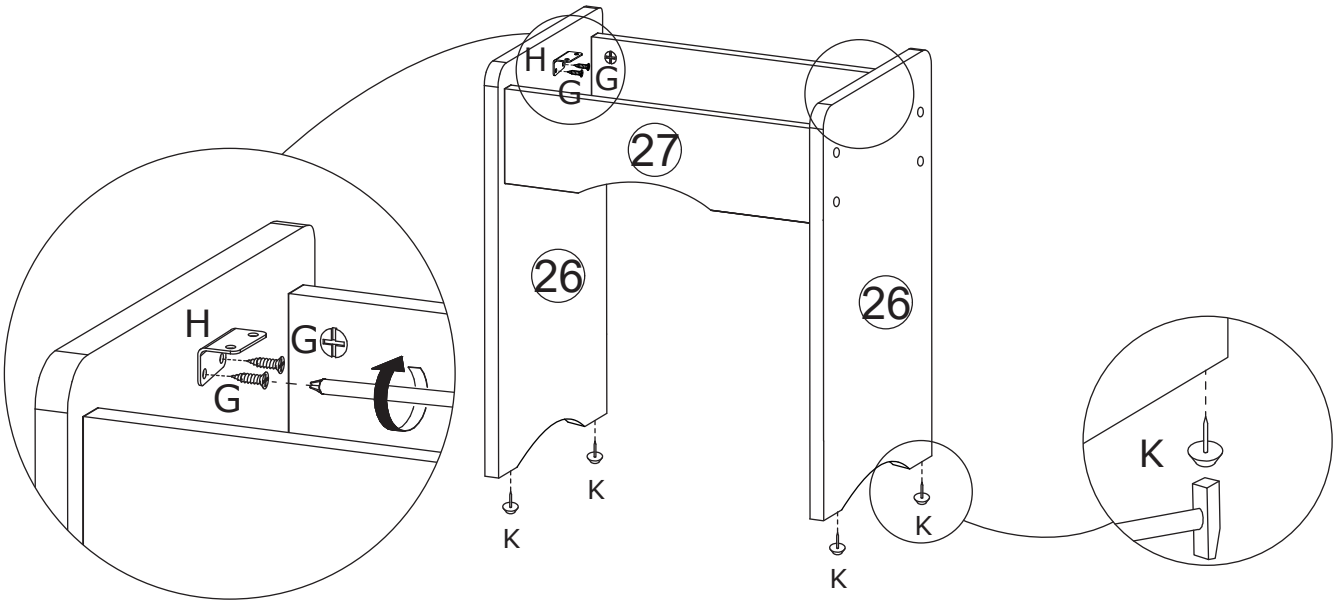
Attention:
When placing C, make sure that the round hole is aligned with the direction of D.



34



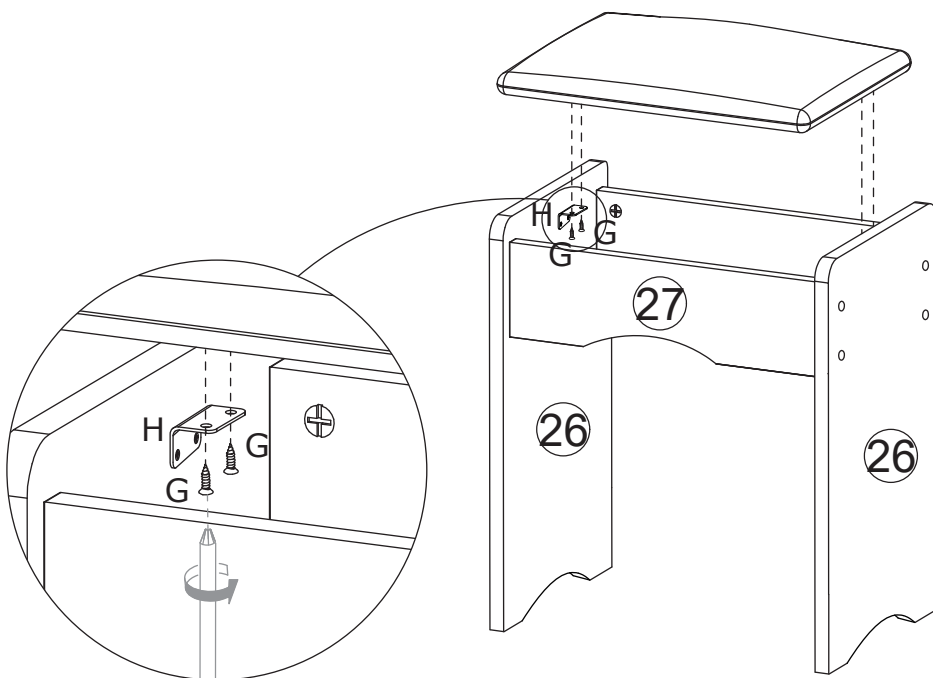
Fix iron part(H) to the inside of two plate 26 with screw(G) as shown. Knock foot peg(K) into the bottom of plate 26.



35



Attach seat plate and fix with iron sheet using screw(G) as shown.



WARRANTY

WARRANTY CLAIMS

- There is a 30-day warranty for broken furniture or any other problems that do not work properly. The warranty will start from the date of purchase which must be verified by proof of purchase.
- Before making a claim, we may be able to answer your query, simply call us. Please leave your purchase order number, along with some details of the problem, if you want a replacement part. We will arrange within 48 hours. If there is out of stock, we will reply with a shipping date.
- The product must be used in accordance with the instructions provided. For health reasons.
- For other reasons, if the furniture needs to be returned, it must be cleaned and dried and operated within 30 days of receipt.

Type of Warranty Claim

- Failure to follow the furniture instructions will invalidate the warranty. Attention please.
- Does not include damage during installation, but includes damage during transportation.

Scope of responsibility

- Shall not bear any responsibility for misuse or user damage and / or loss of parts during the installation of furniture.
- After using, the damage and scratches of the furniture are not covered by the warranty.

The Warranty Relates to All Bought in The Us and Covers The Following Areas

- Sheet parts: 1 month from the date of purchase.
- Electrical parts: 1 month from the date of purchase.

RETURNS

CHANGED YOUR MIND AND NEED TO RETURN YOU ITEM?

PLEASE FOLLOW THE BELOW INSTRUCTIONS:

- If you have purchased and have simply changed your mind, follow the retailer's instructions for returns.

DEFECTIVE ITEMS

- If your item is defective in any way, i.e. it doesn't work but you can't identify why, in the first instance, please call us.

DAMAGED ITEMS

- If you receive an order with obvious shipping damage from the retailer, then we suggest the delivery is refused. If the delivery has been accepted and then shipping damage is found, please follow the specific instructions advised by the retailer. In all circumstances please save all packaging material and paperwork for the order. Please be aware that if you dispose of packaging material or attempt to return the merchandise without contacting the fulfiller, you jeopardise your chances of making a claim, and you may not receive a credit for the return.