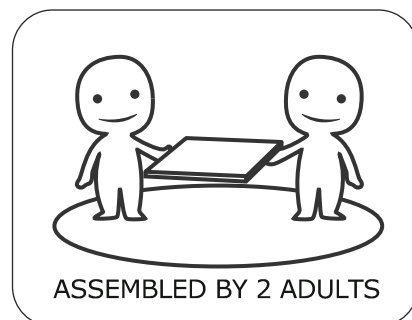
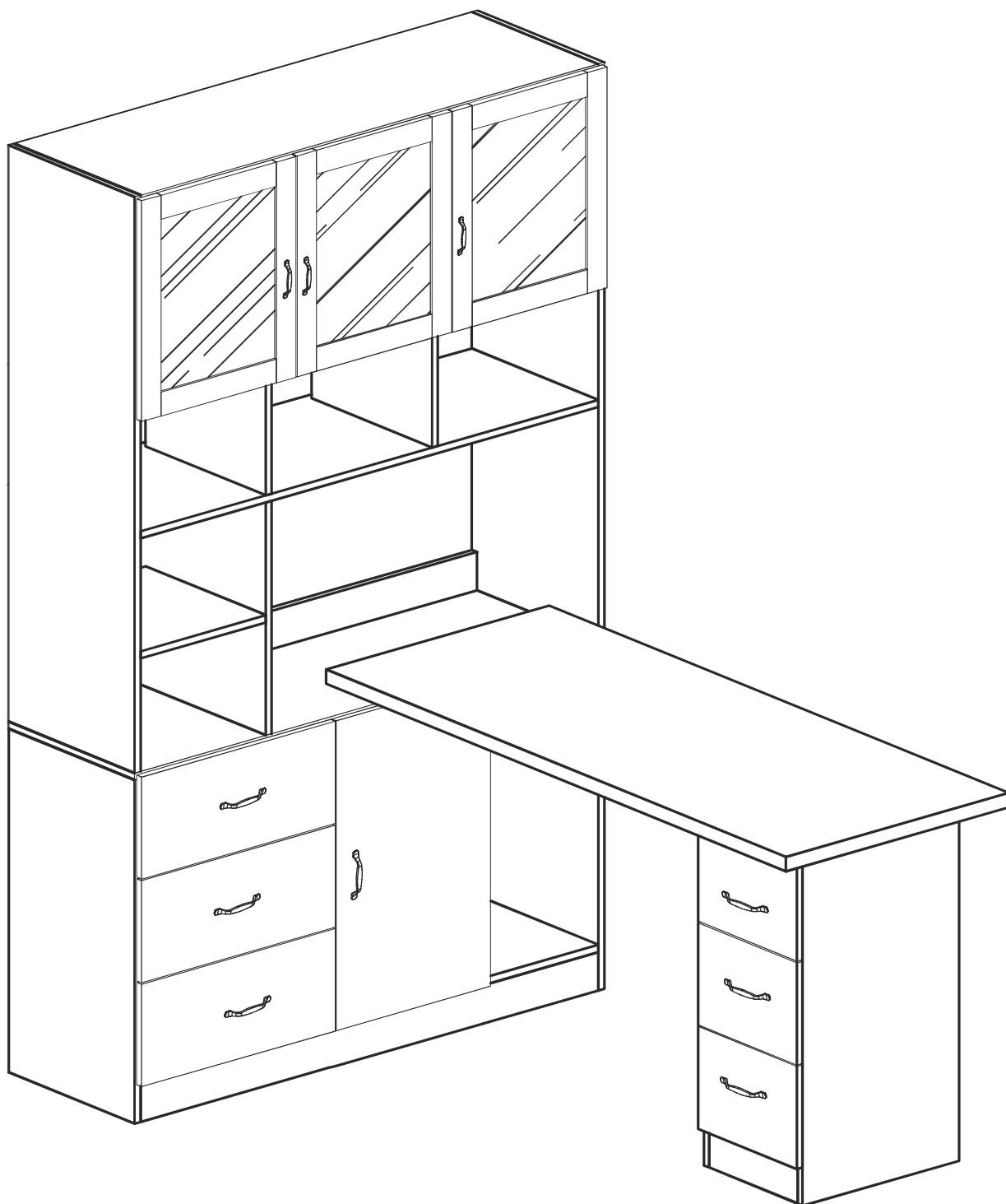
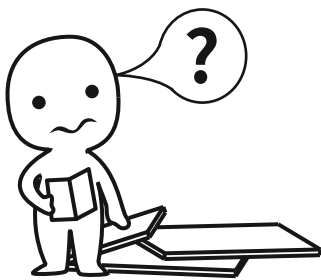


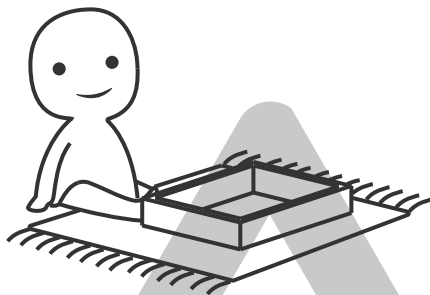
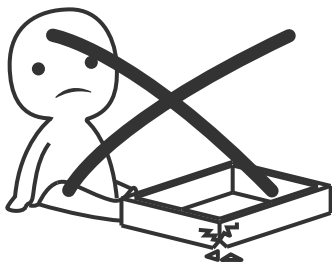
L-Shape Desk





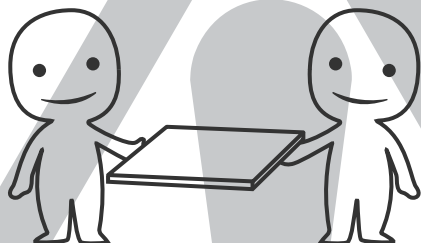
IMPORTANT INFORMATION!

please read the entire manual before starting to assemble and/or using this product. follow the manual thoroughly and keep it for further reference.



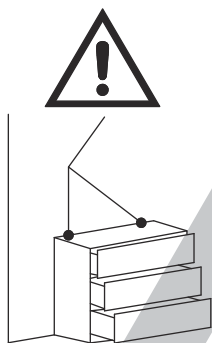
AVOID SCRATCHES!

In order to avoid scratching this furniture should be assembled on a soft layer- could be a rug.



IMPROVE EFFICIENCY !

Try to find a partner to install with you, which can speed up the installation efficiency and shorten the time.



ANTI-TOPPLE WARNING !

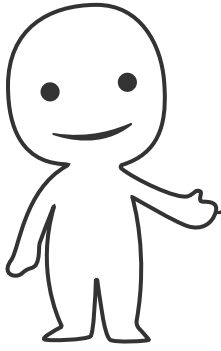
Overturnd furniture can cause serious or fatal crush injuries. To prevent tipping over, be sure to use the wall attachment, if not included with this product. Please purchase the wall attachment that fit your wall. If unsure, seek professional advice. Please read and follow each step of the instructions carefully.

IMPORTANT !

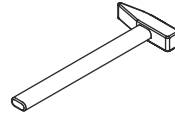
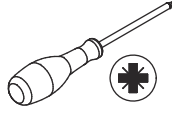
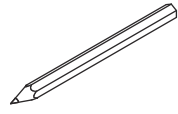
It is important that any product which is assembled using any kind of screw is re-tightened 2 weeks after assembly, and once every 3 months - in order to assure stability through-out the lifespan of the product.

For regular maintenance and cleaning of the product, for the frame, please use a rag dipped in neutral detergent to fully wipe it, and then dry it with a clean rag. For glass materials, wipe with a rag dampened with water glass cleaner, and then dry with a dry rag.

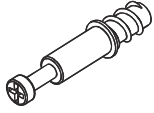

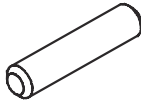
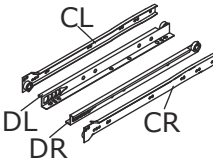

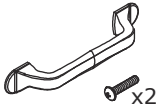

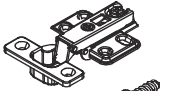

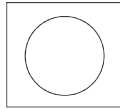


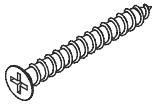
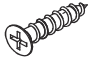
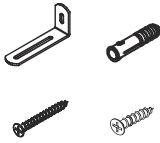

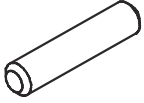
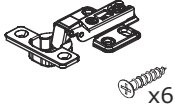
Do not use an electric screwdriver, and do not use too much force when installing, because the board is easy to break.

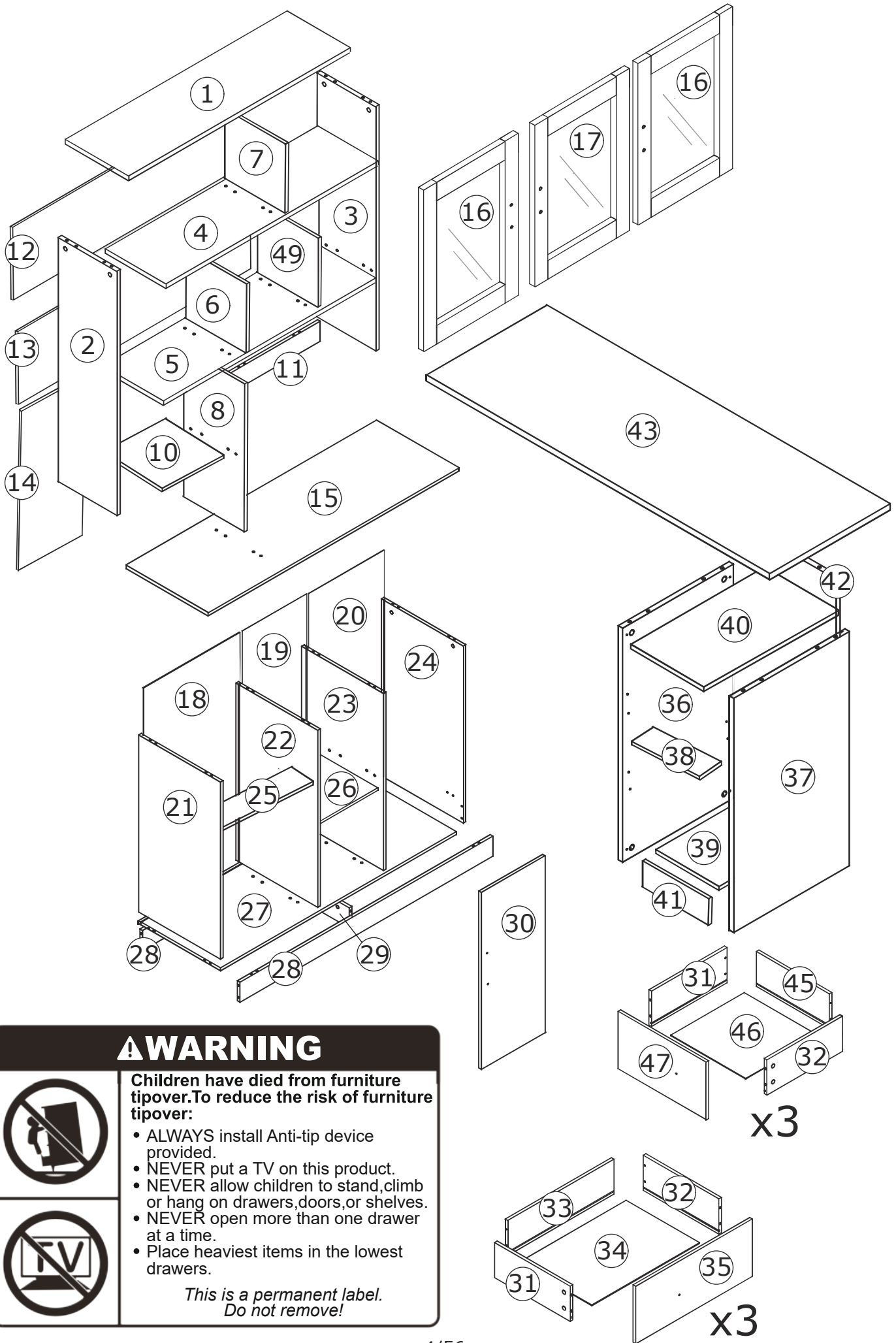


Please prepare the following tools



When installing, please carefully confirm whether each screw corresponds to the manual, accessories with similar shapes can be distinguished by size

| | | | | |
|---|---|---|---|--|
| <p>A x 122+5</p>  <p>Ø6 x 35 mm</p> | <p>B x 116+5</p>  <p>Ø15 x 11 mm</p> | <p>C x 74+5</p>  <p>Ø8 x 30 mm</p> | <p>D x 6</p>  <p>CL DL DR CR L = 350 mm</p> | <p>E x 48+4</p>  <p>Ø3 x 12 mm</p> |
| <p>F x 10+1</p>  <p>Ø4 x 18 mm</p> | <p>G x 2</p>  <p>Ø6 x 20 mm</p> | <p>H x 6</p>  <p>Ø3.5 x 14 mm</p> | <p>J x 7+1</p>  <p>Ø3 x 12 mm</p> | <p>K x 124+5</p>  |
| <p>L x 10+1</p>  | <p>M x 6</p>  <p>Ø15 x 9.5 mm</p> | <p>N x 24+2</p>  <p>Ø4 x 30 mm</p> | <p>P x 21+3</p>  <p>Ø3.5 x 14 mm</p> | <p>Q x 1</p>  <p>Ø3.5 x 14 mm</p> |
| <p>R x 14+1</p>  <p>Ø3 x 12 mm</p> | <p>S x 6</p>  <p>Ø6 x 30 mm</p> | <p>T x 2</p>  <p>Ø3.5 x 14 mm</p> | | |



⚠ WARNING

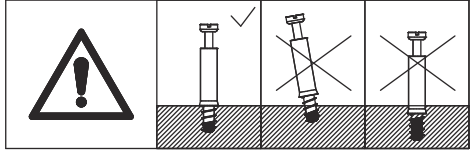
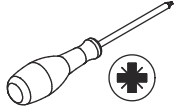
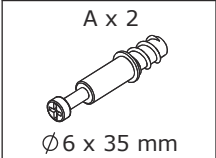


Children have died from furniture tipover. To reduce the risk of furniture tipover:

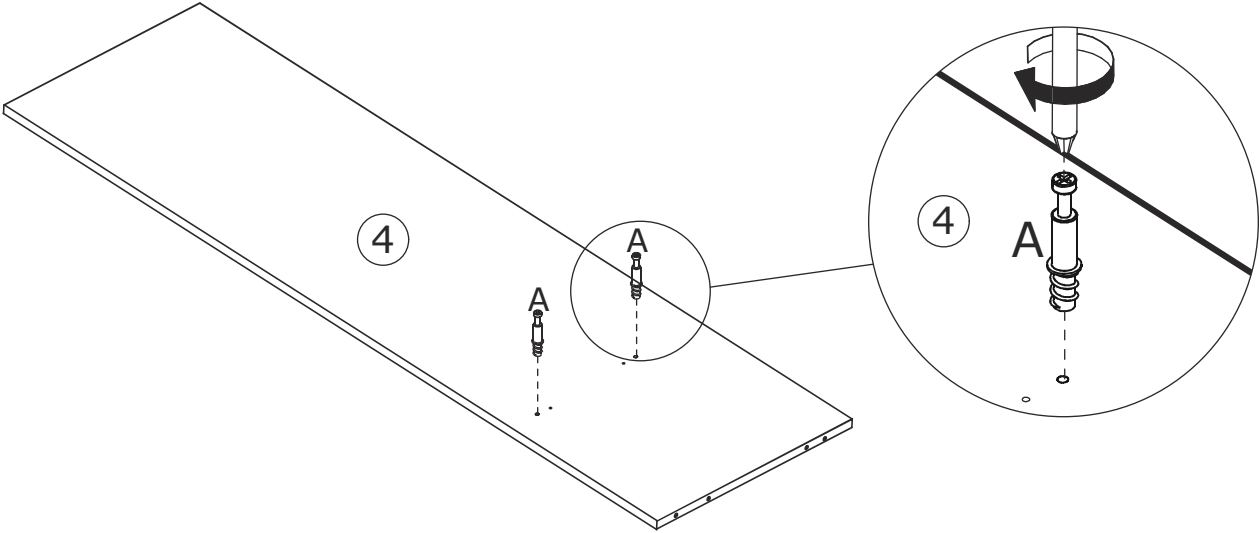
- ALWAYS install Anti-tip device provided.
- NEVER put a TV on this product.
- NEVER allow children to stand, climb or hang on drawers, doors, or shelves.
- NEVER open more than one drawer at a time.
- Place heaviest items in the lowest drawers.

*This is a permanent label.
Do not remove!*

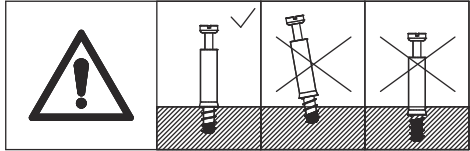
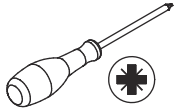
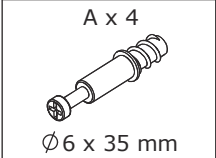
1



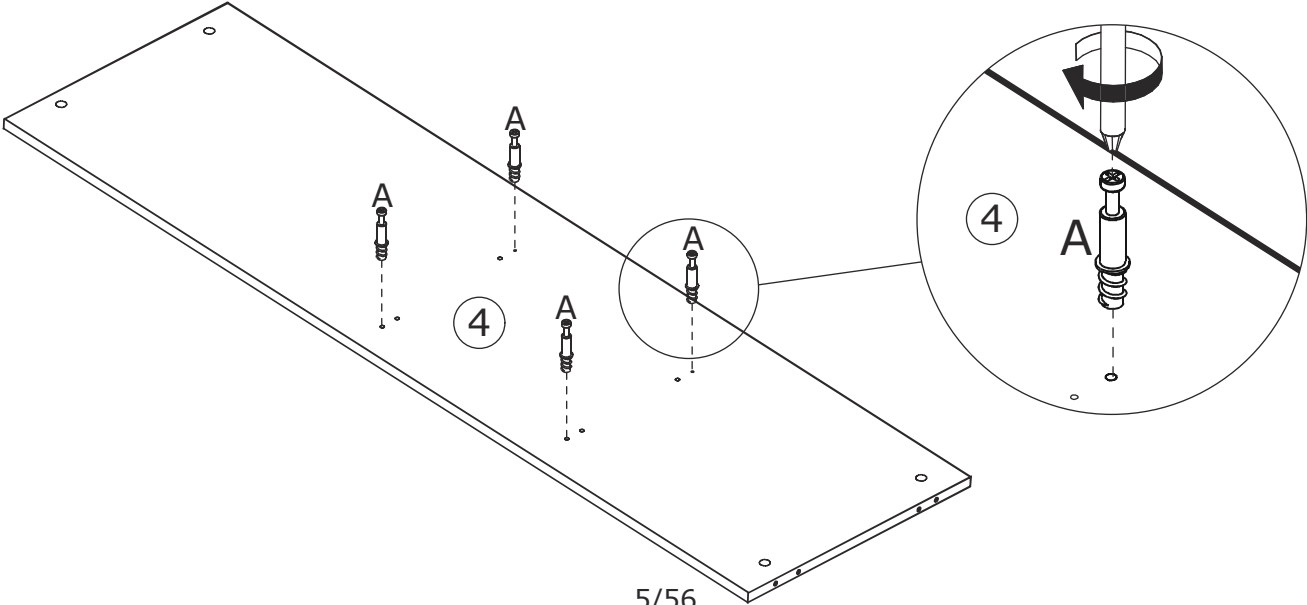
Screw eccentric rod(A) into board 4 at first.



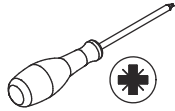
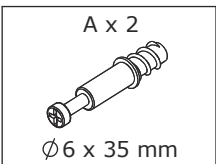
2



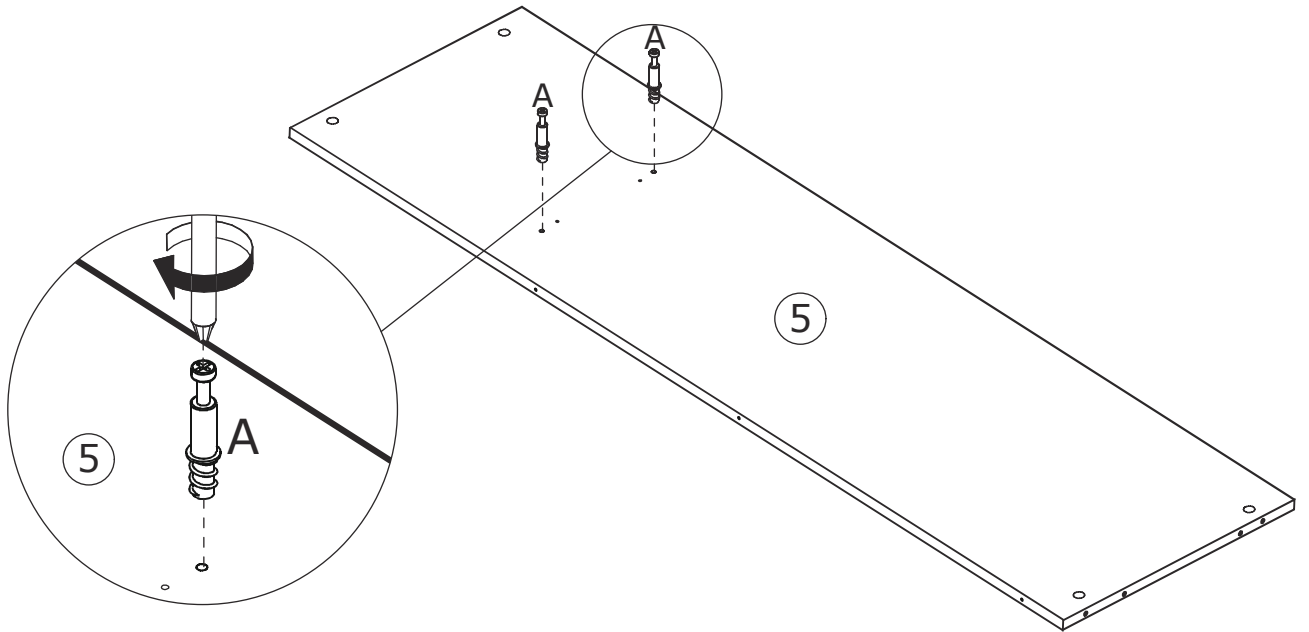
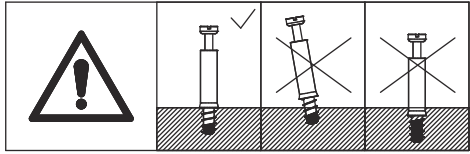
Flip board 4 to back, screw eccentric rod(A) into as shown.



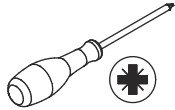
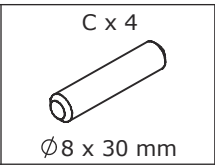
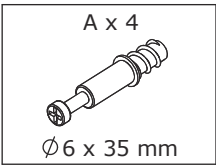
3



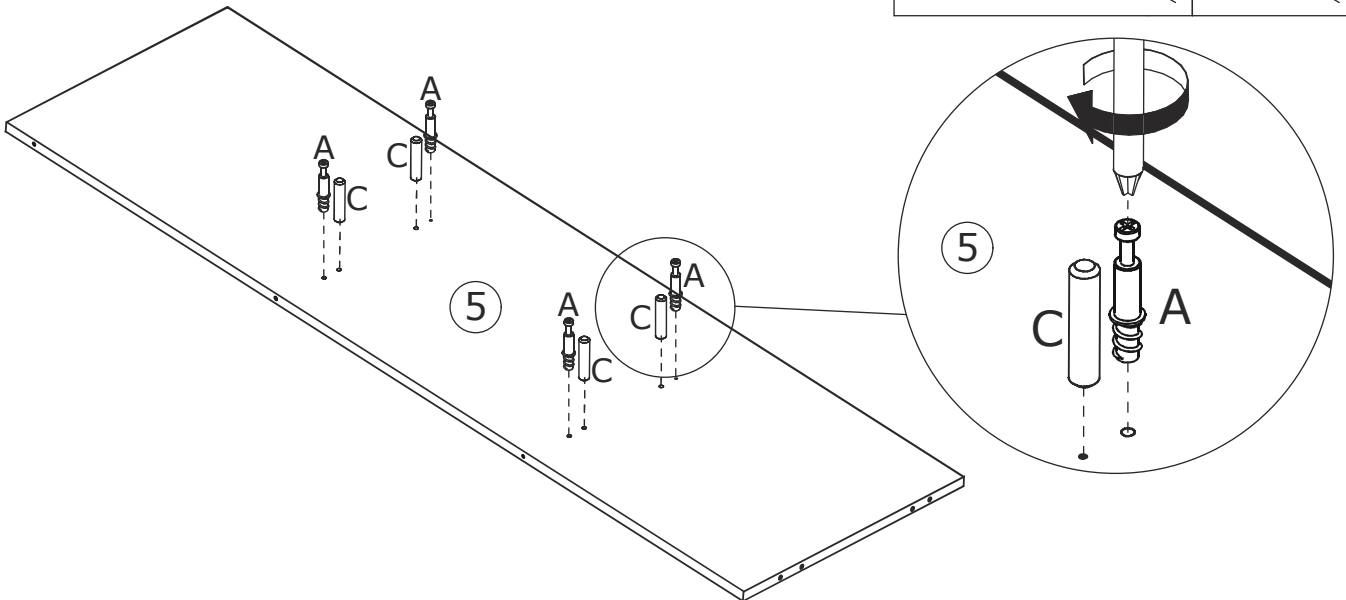
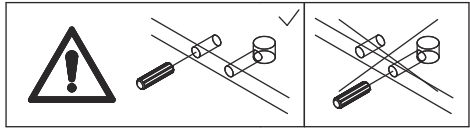
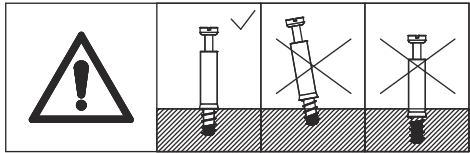
Screw eccentric rod(A) into board 4 at first.



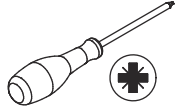
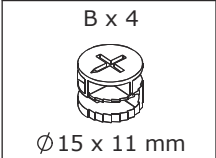
4



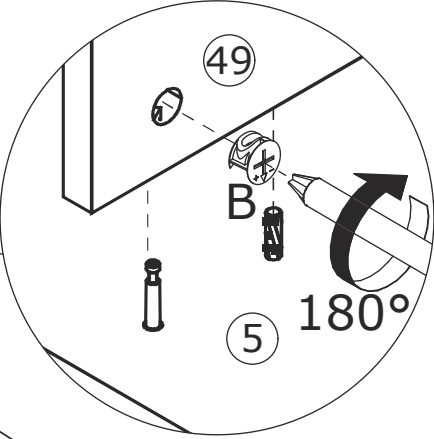
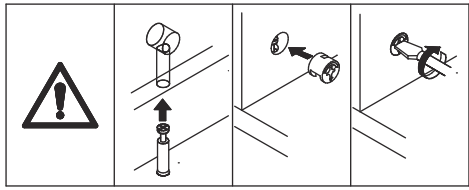
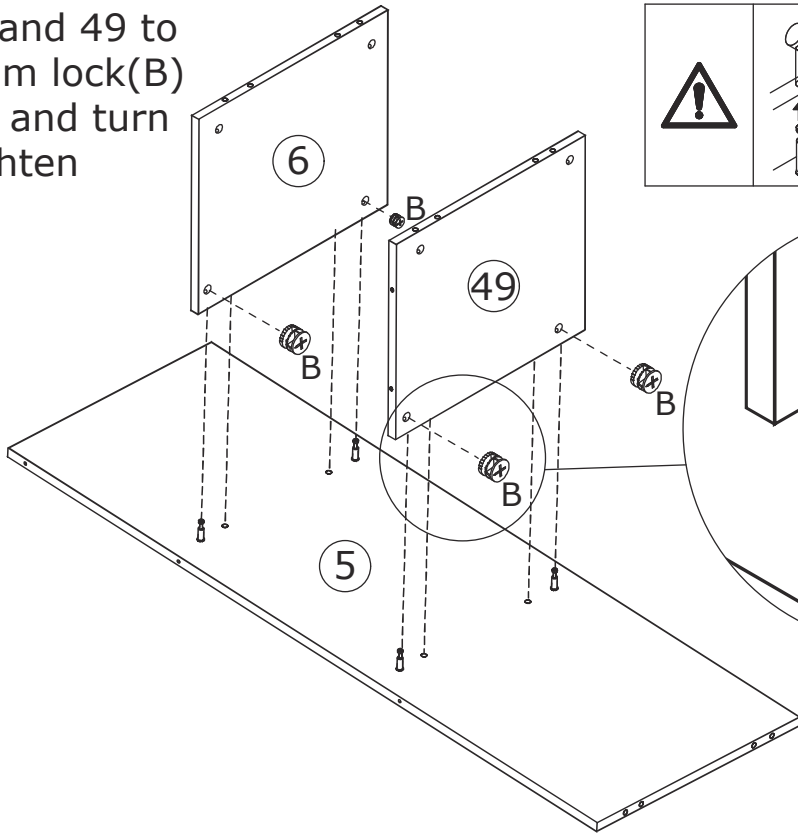
Flip board 5 to back, screw eccentric rod(A) and insert wooden dowel(C) into as shown.



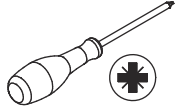
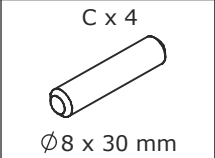
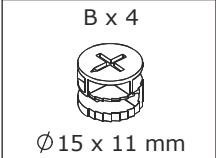
5



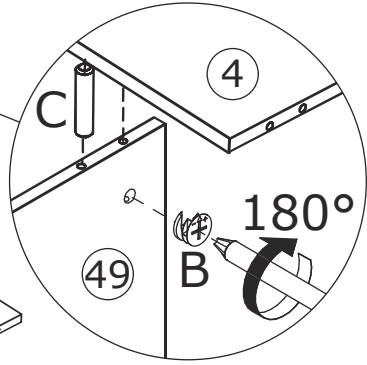
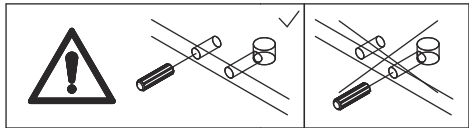
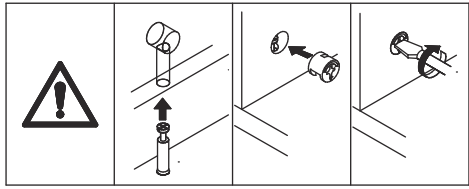
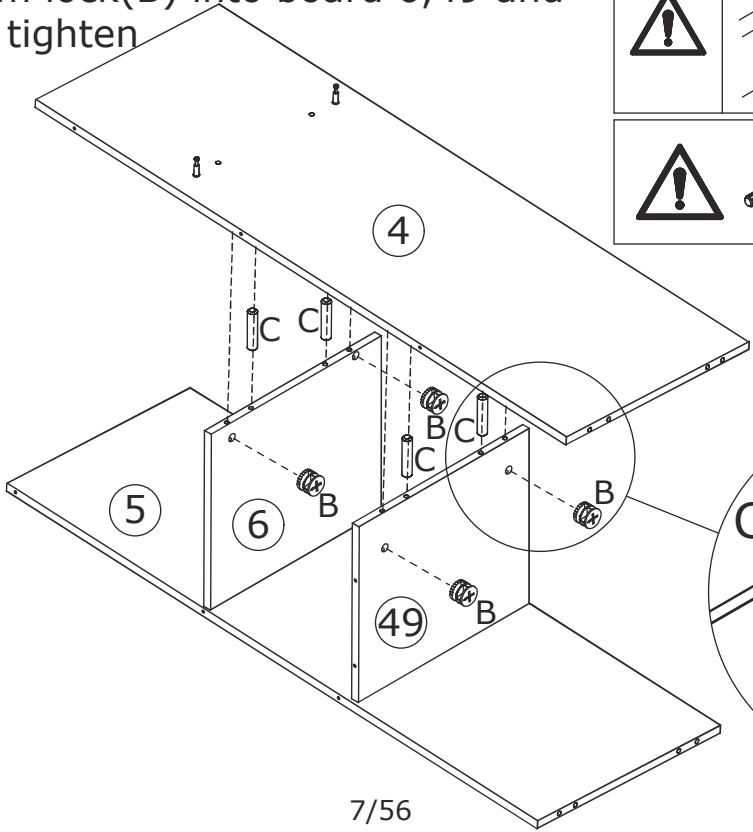
Attach board 6 and 49 to board 5, add cam lock(B) into board 6,49 and turn clockwise to tighten as shown.



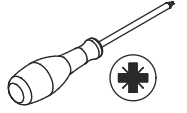
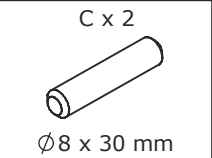
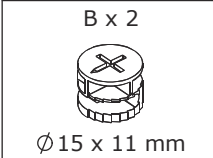
6



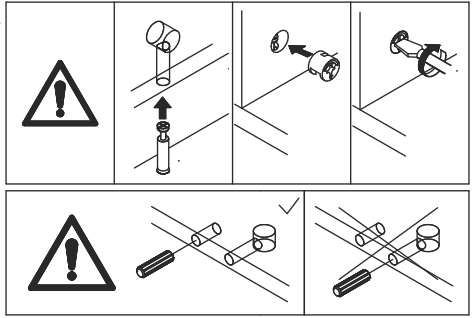
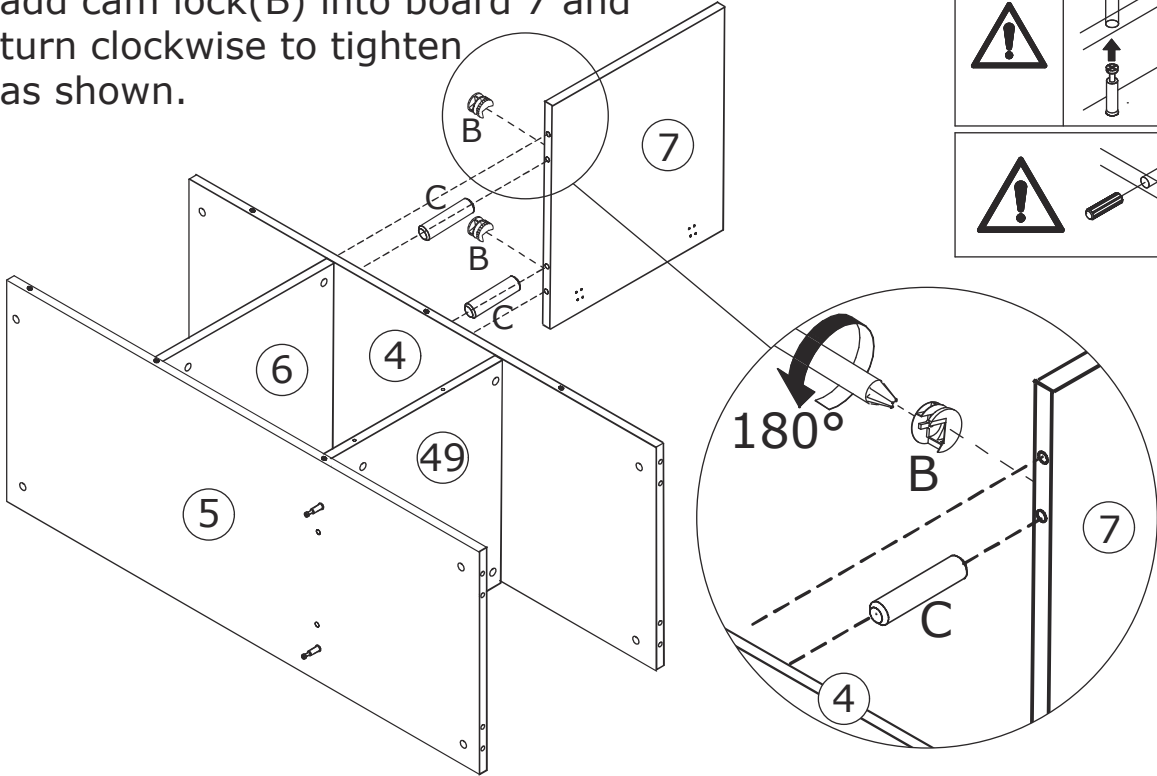
Attach board 4 to board 6 and 49 using wooden dowel(C), add cam lock(B) into board 6,49 and turn clockwise to tighten as shown.



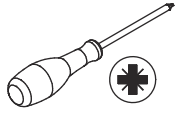
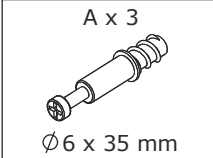
7



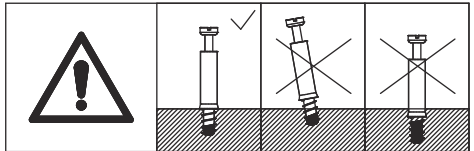
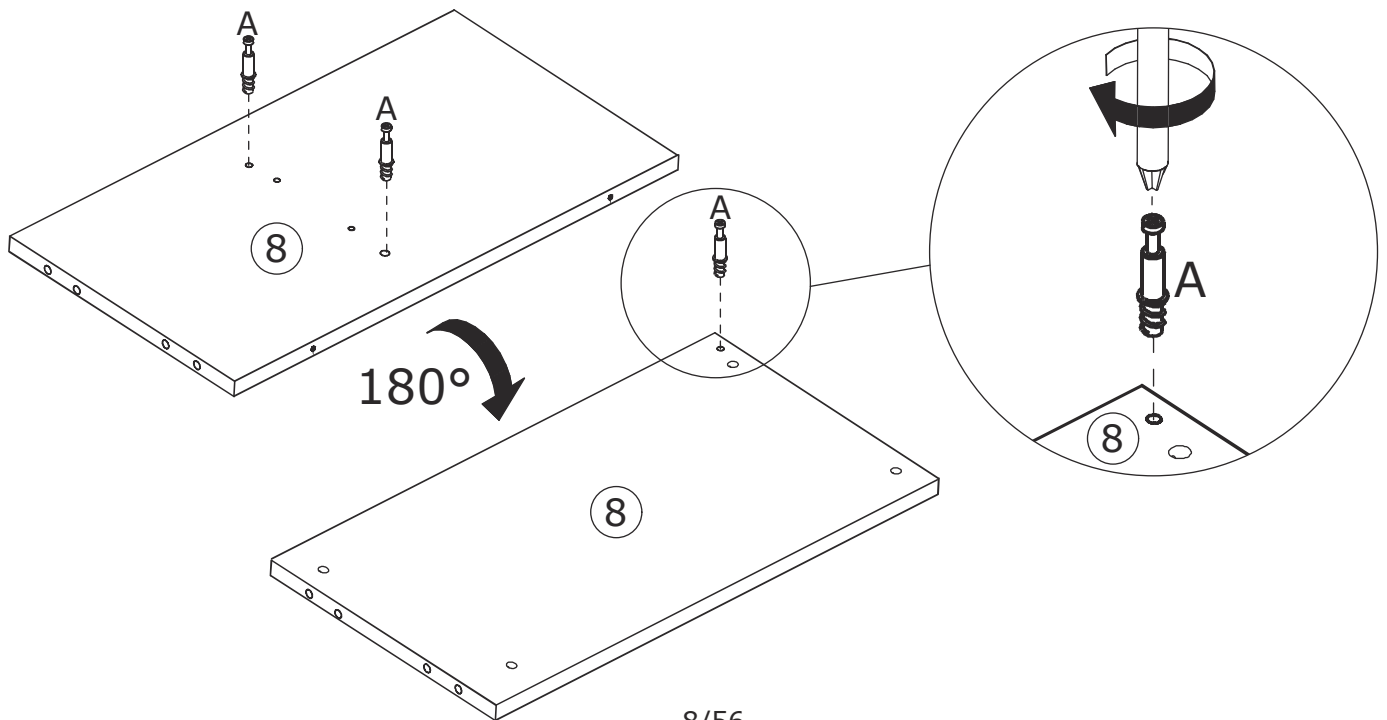
Attach board 7 to board 4 using wooden dowel(C), add cam lock(B) into board 7 and turn clockwise to tighten as shown.



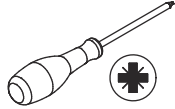
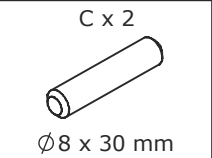
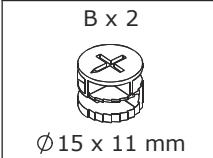
8



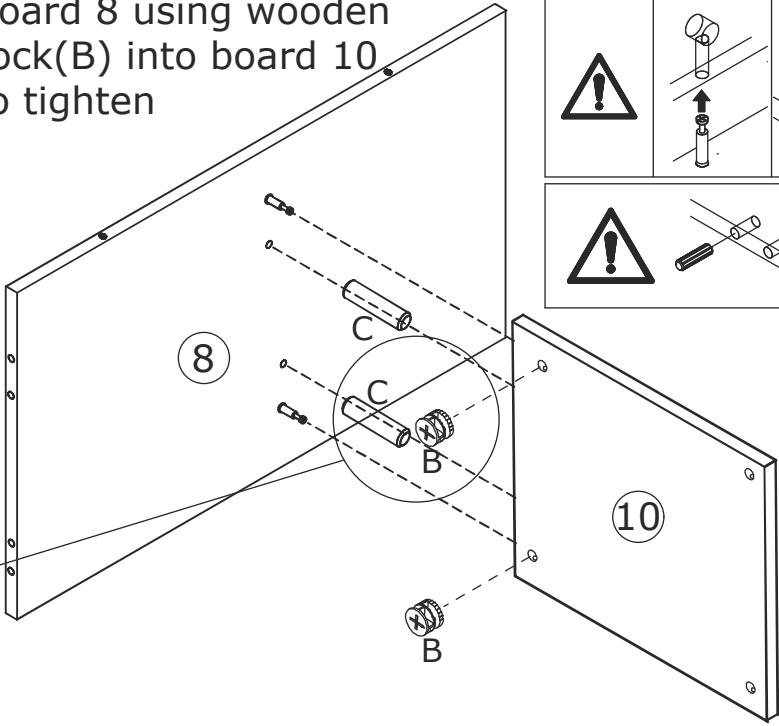
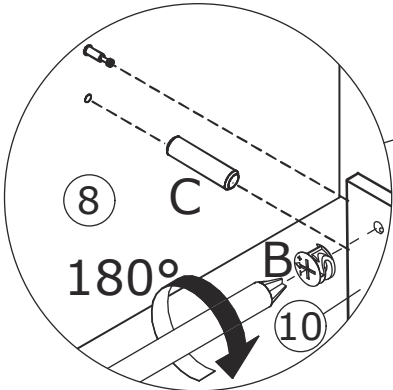
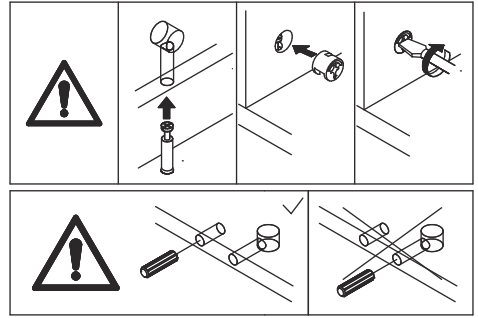
Screw eccentric rod(A) into board 8 as shown.



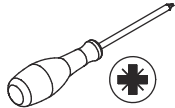
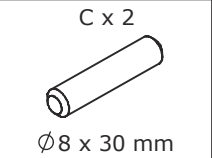
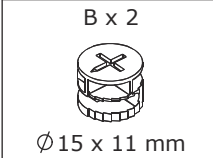
9



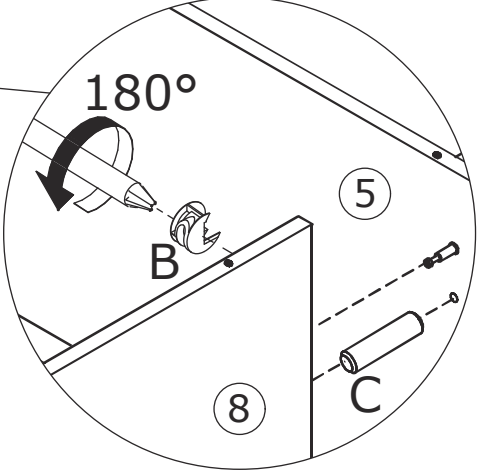
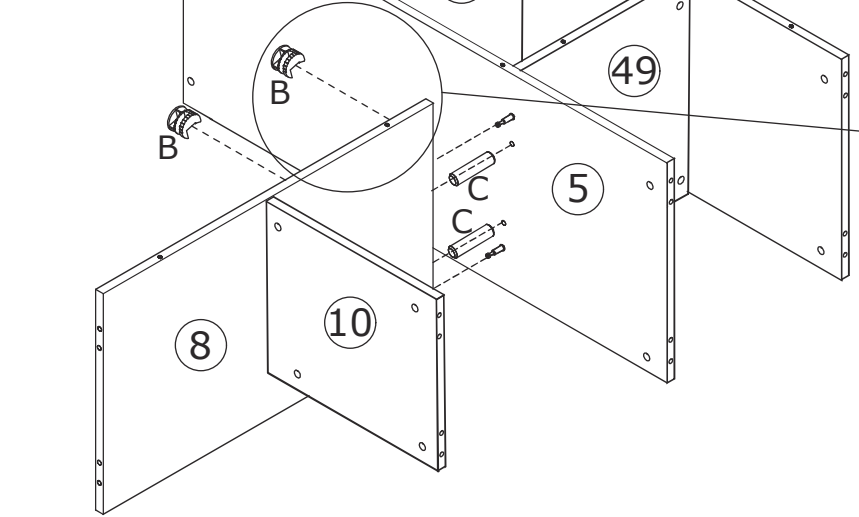
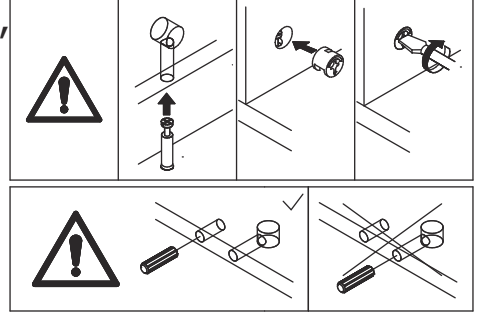
Attach board 10 to board 8 using wooden dowel(C), add cam lock(B) into board 10 and turn clockwise to tighten as shown.



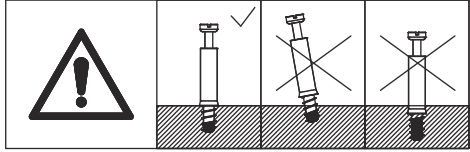
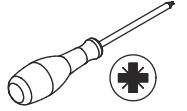
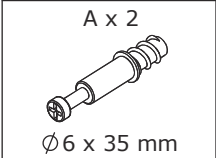
10



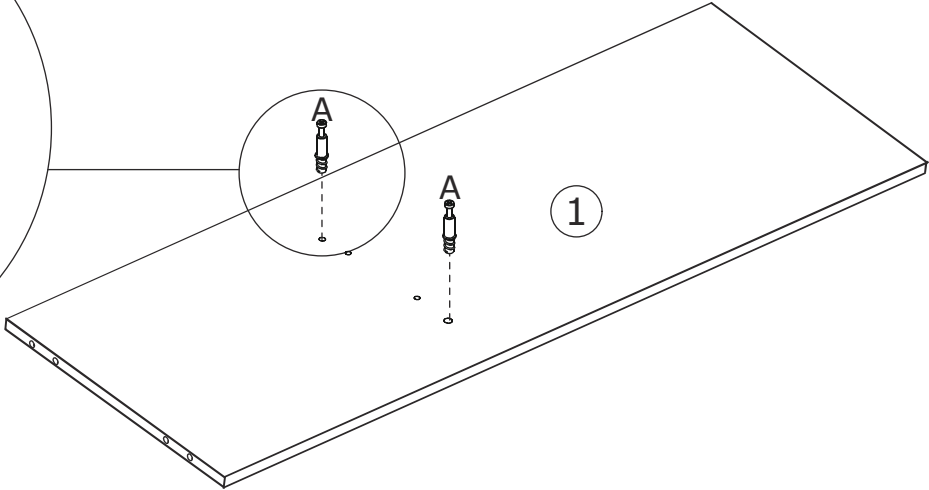
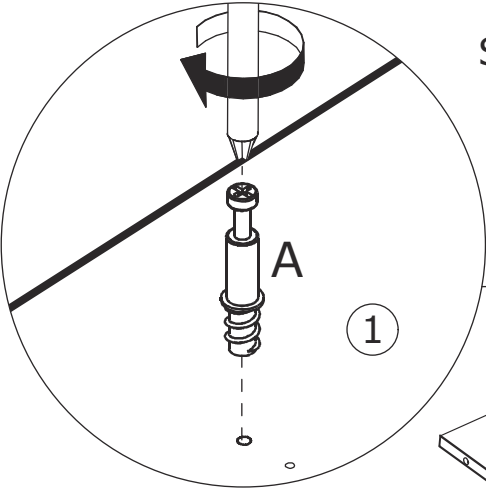
Attach board 8 to board 5 using wooden dowel(C), add cam lock(B) into board 8 and turn clockwise to tighten as shown.



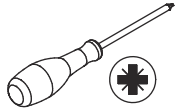
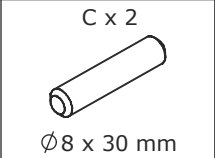
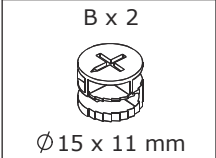
11



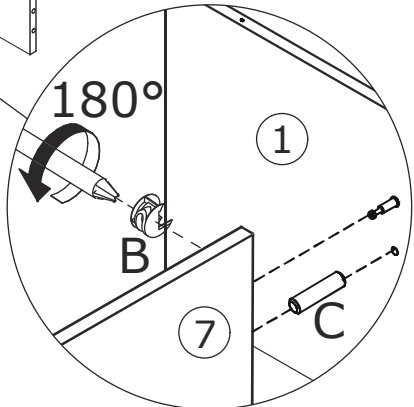
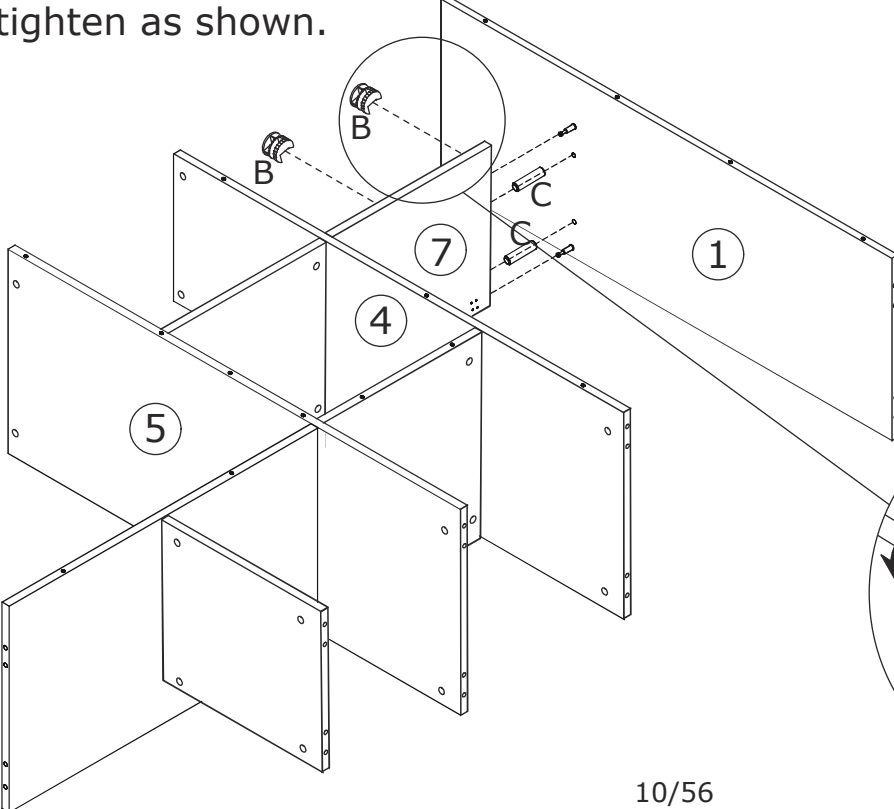
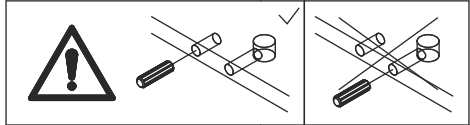
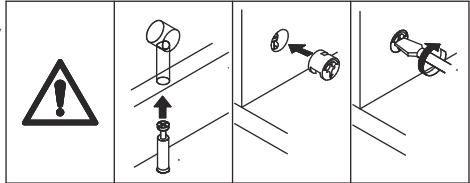
Screw eccentric rod(A) into board 1 as shown.



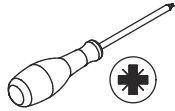
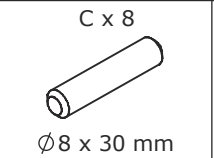
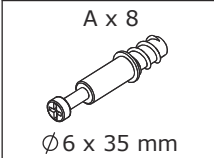
12



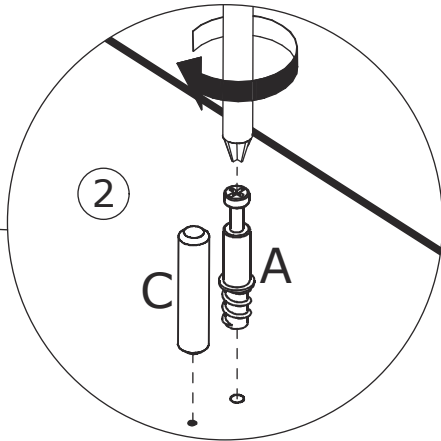
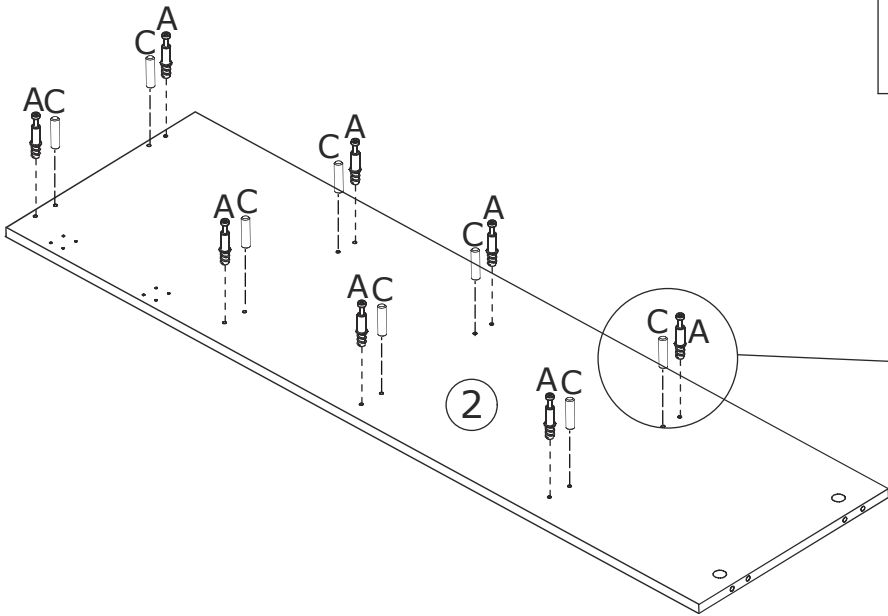
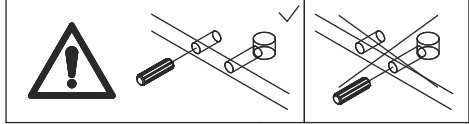
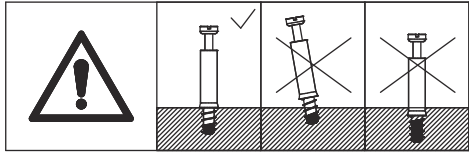
Attach board 1 to board 7 using wooden dowel(C), add cam lock(B) into board 7 and turn clockwise to tighten as shown.



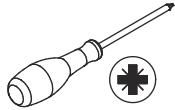
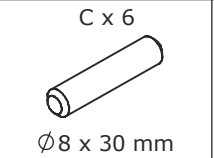
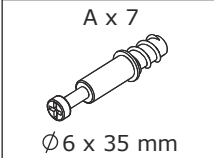
13



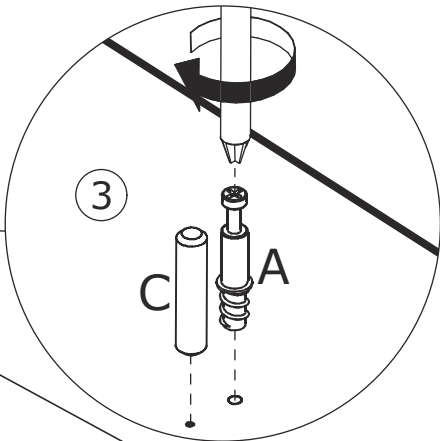
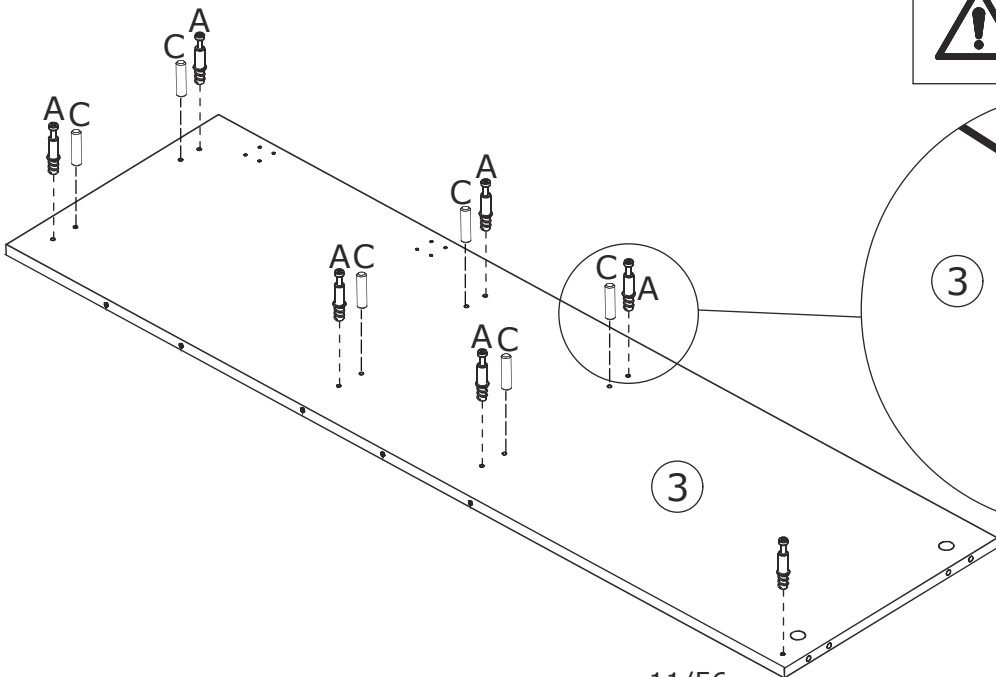
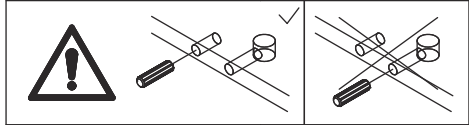
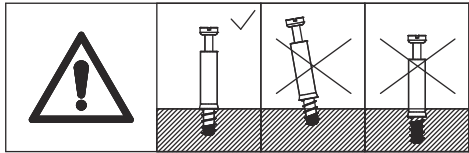
Screw eccentric rod(A) and insert wooden dowel(C) into board 2 as shown.



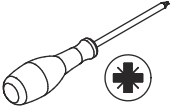
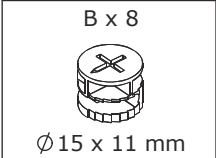
14



Screw eccentric rod(A) and insert wooden dowel(C) into board 3 as shown.

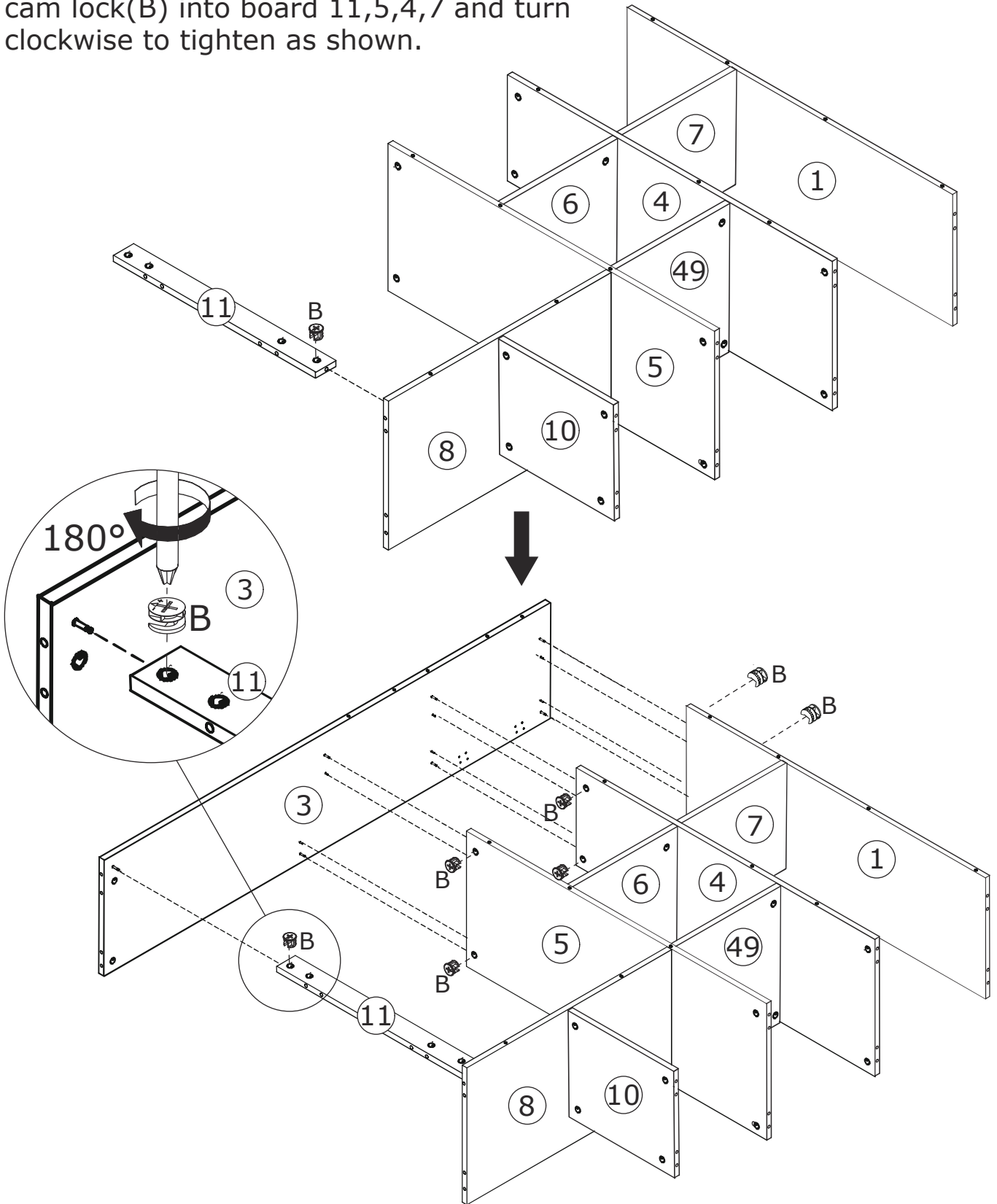
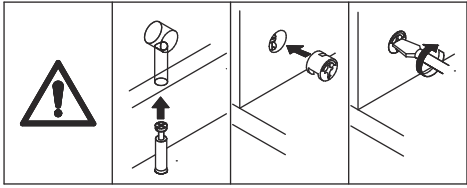


15

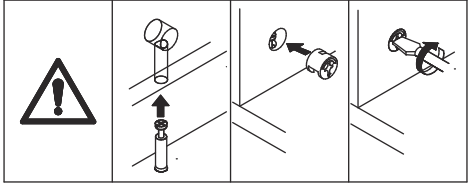
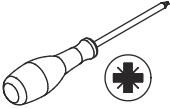
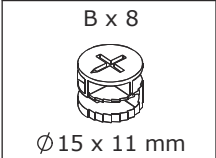


Attach board 11 to board 8 at first, add cam lock(B) into board 11 and turn clockwise to tighten as shown.

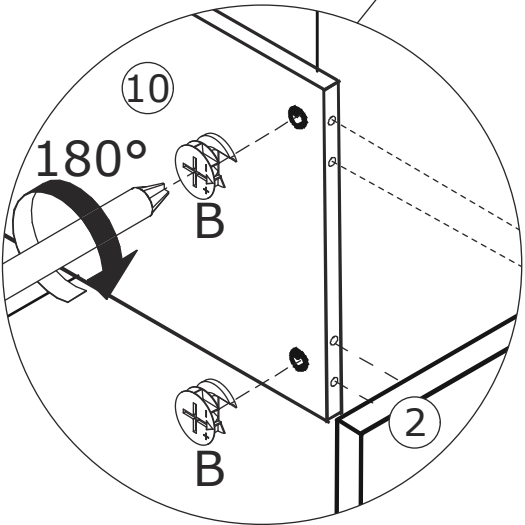
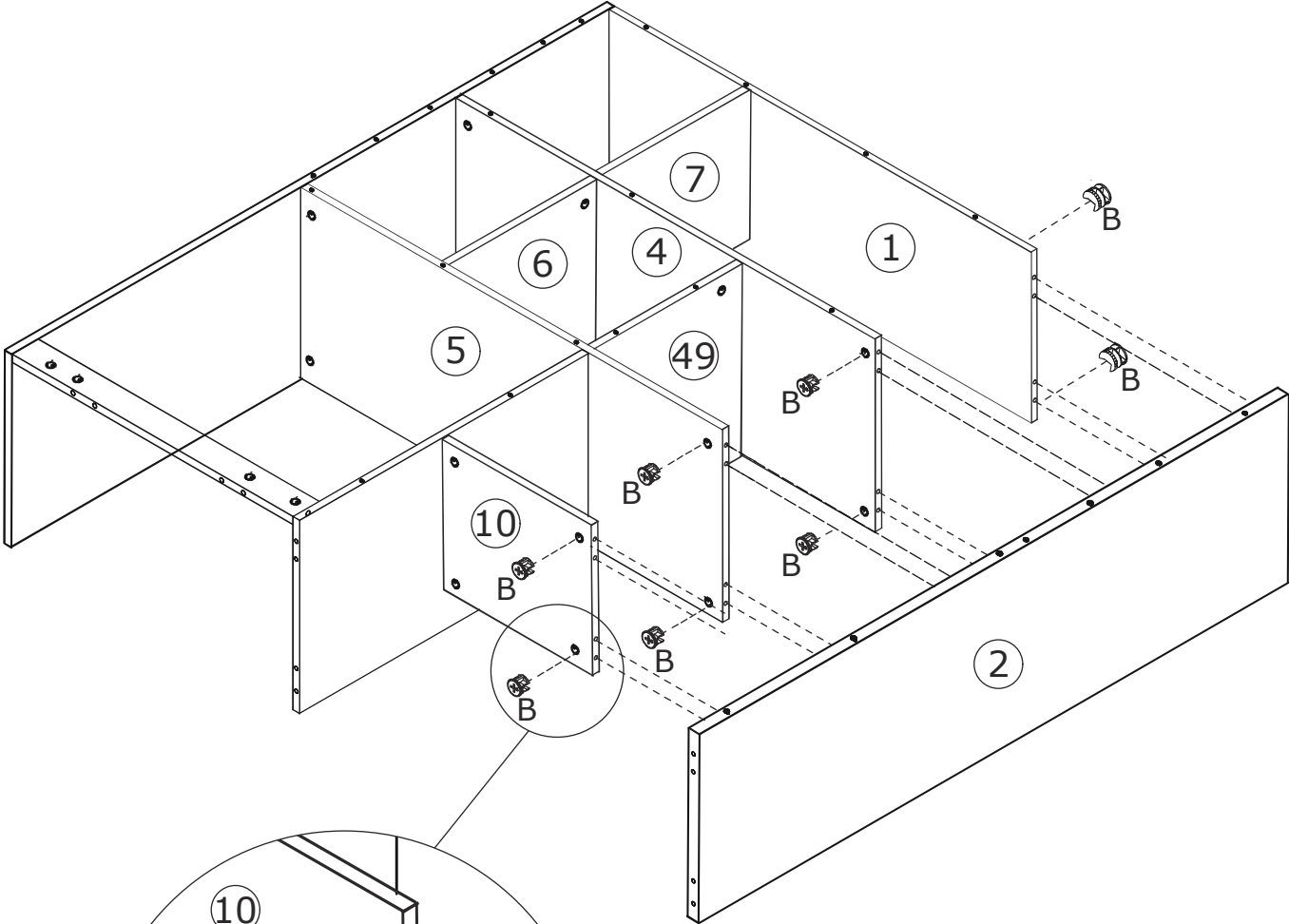
Attach board 3 to board 11, 5, 4 and 7, add cam lock(B) into board 11,5,4,7 and turn clockwise to tighten as shown.



16

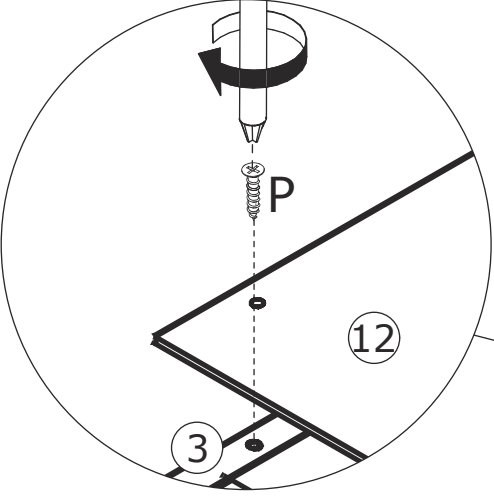
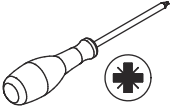


Attach board 2 to board 10, 5, 4 and 7, add cam lock(B) into board 10,5,4,7 and turn clockwise to tighten as shown.

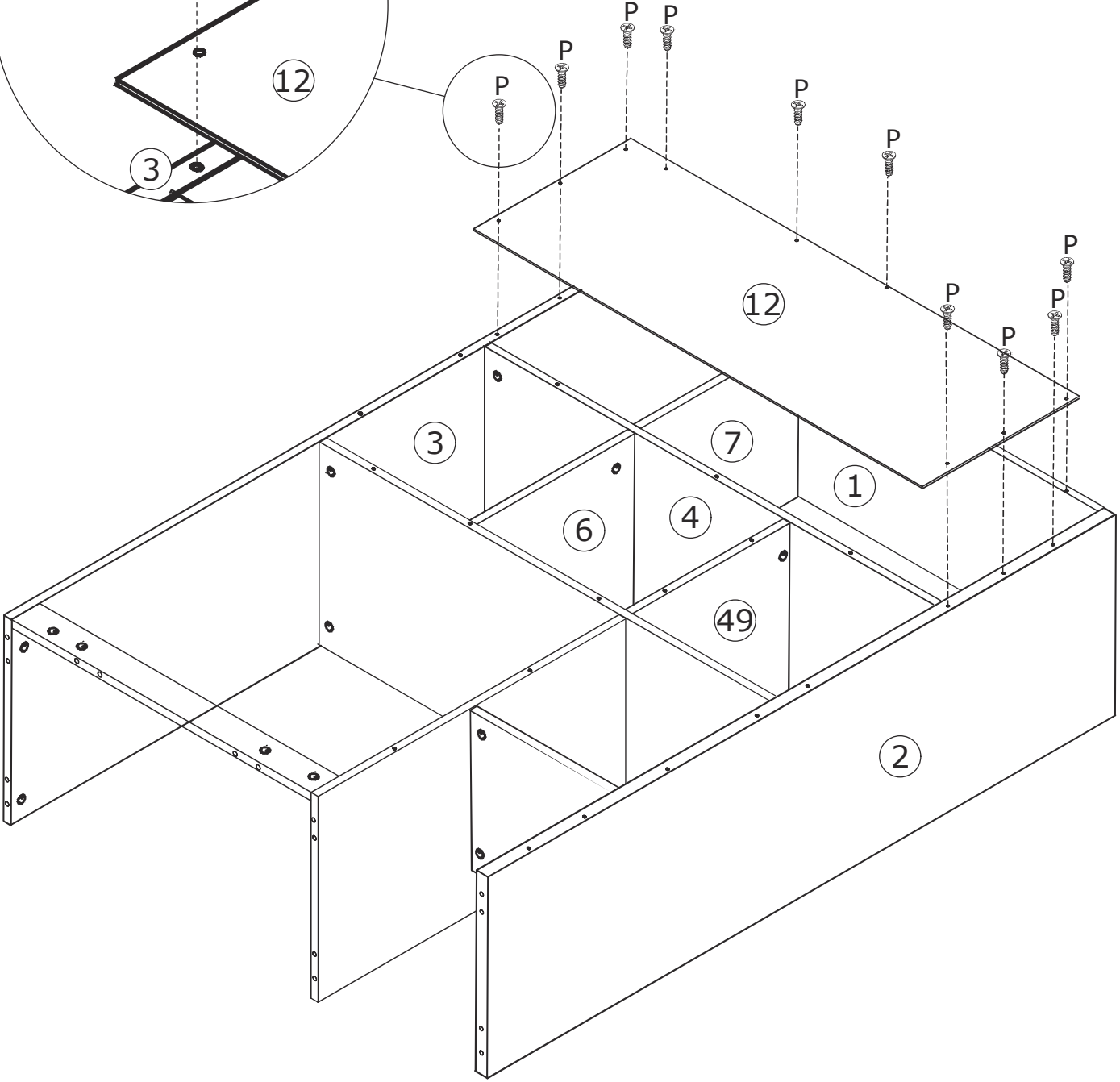


17

P x 10
Ø3 x 12 mm

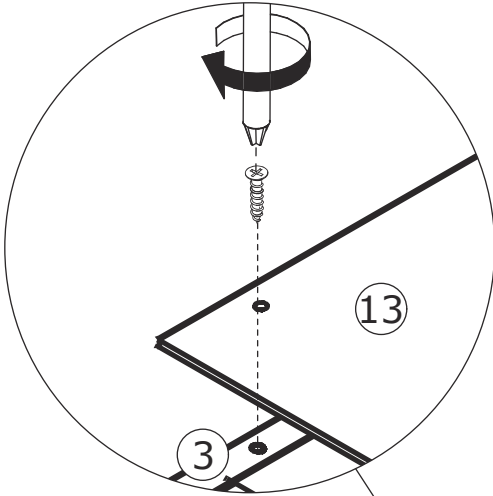
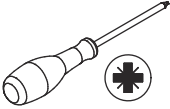


Fix back board 12 to the component with screw(P) as shown.

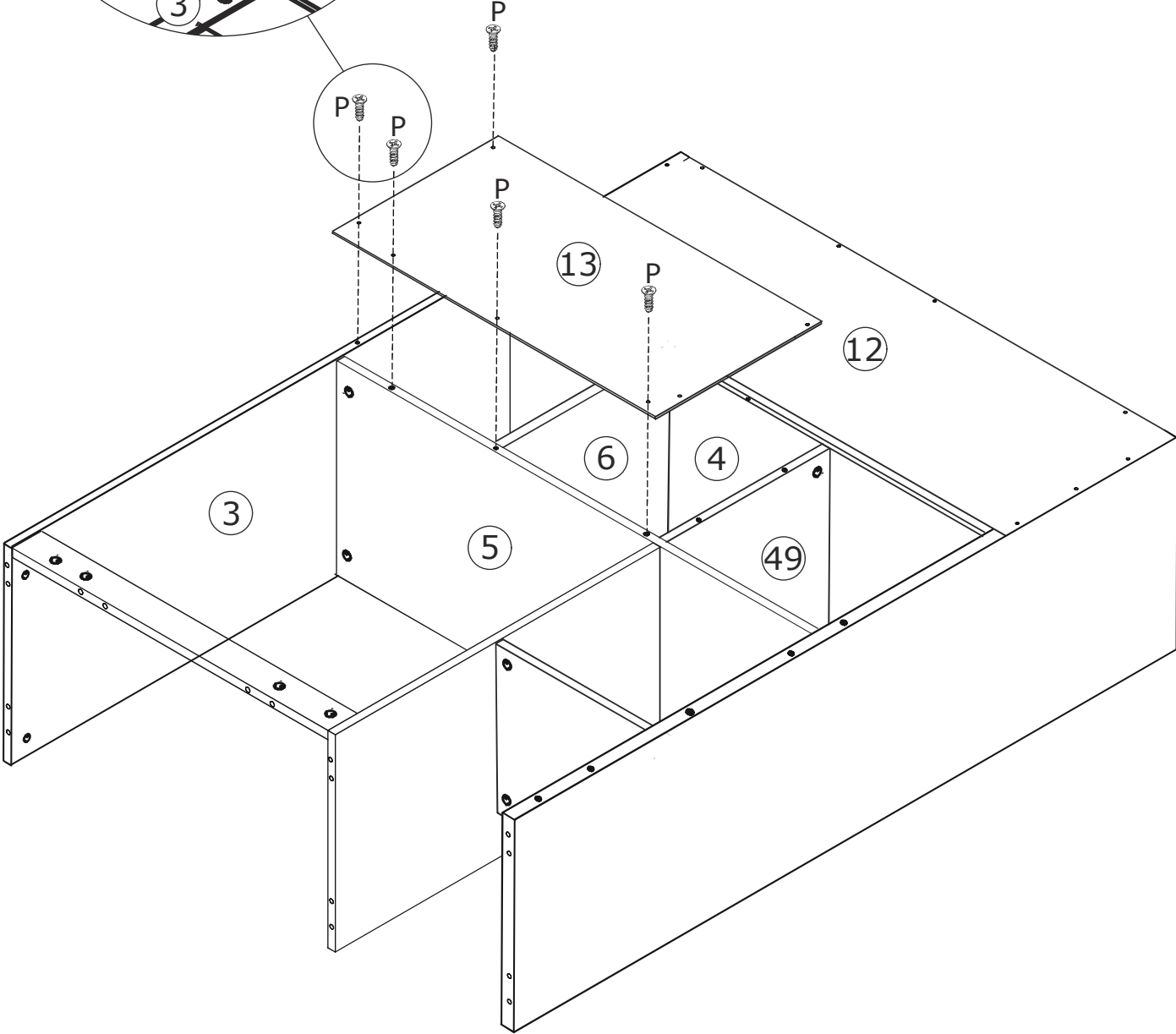


18

P x 5
Ø3 x 12 mm

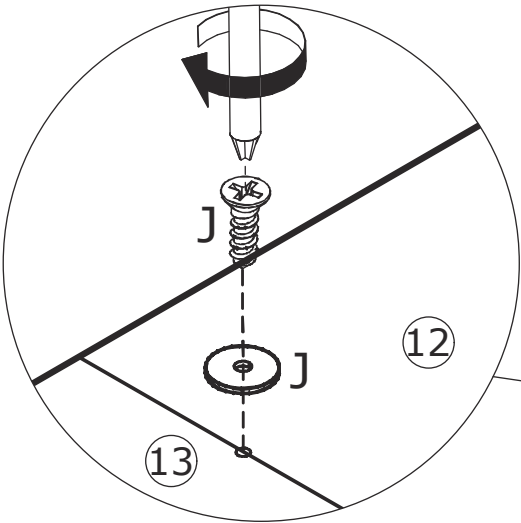
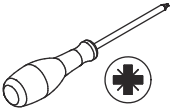


Fix back board 13 to the component with screw(P) as shown.

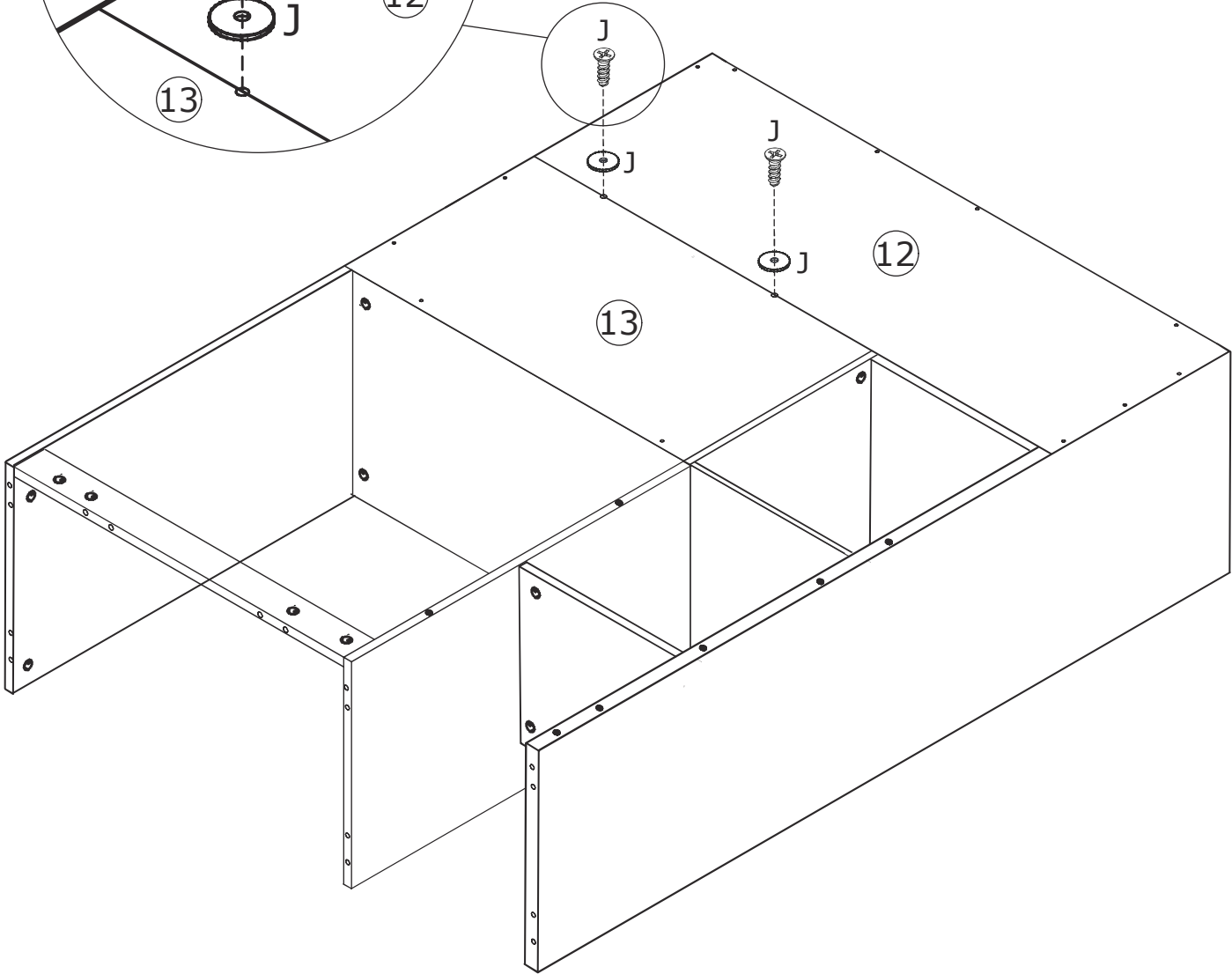


19

J x 2
Ø3 x 12 mm



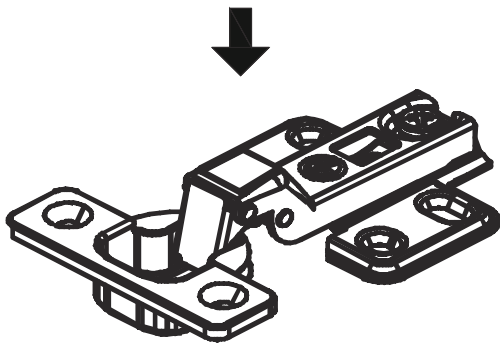
Use part(J) to fix back board 12 and 13 to board 4 as shown.



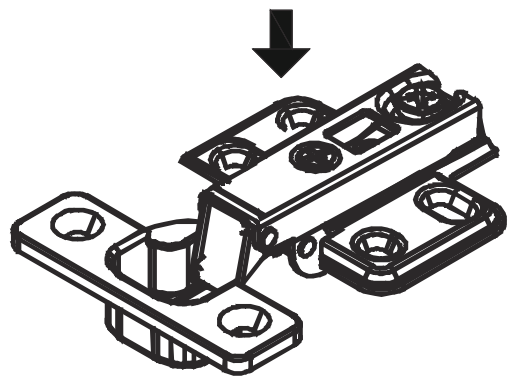


Pay attention to the difference between the middle parts of the two types of door hinges.

- The full coverage door hinges(H) are used on the outermost door plates
- And the curved door hinges(T) are used on the door panel in the middle of the cabinet.

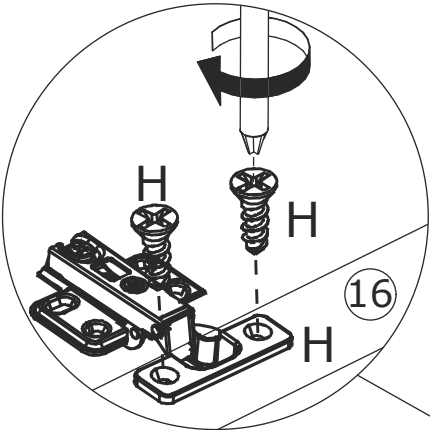
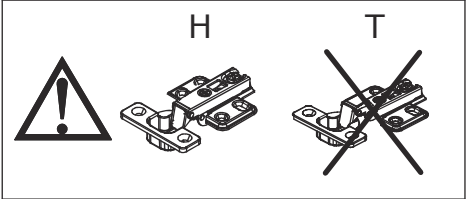
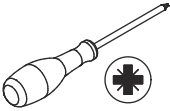
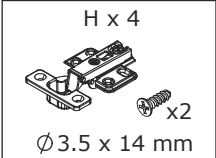


T

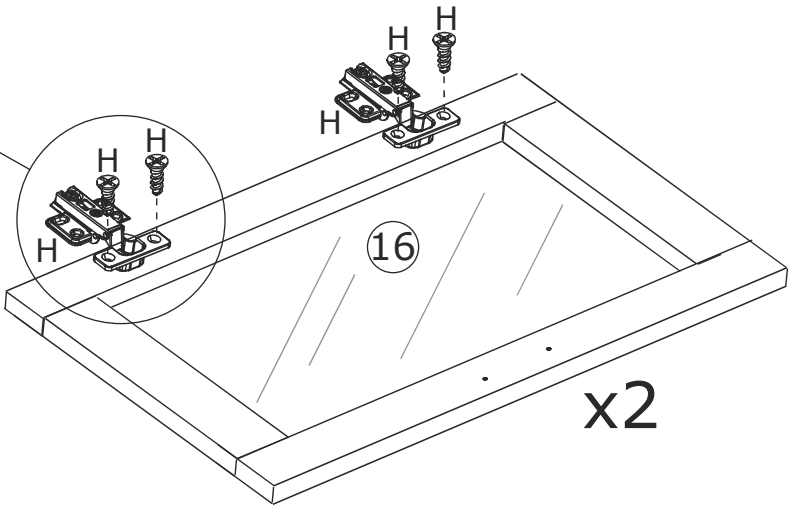


H

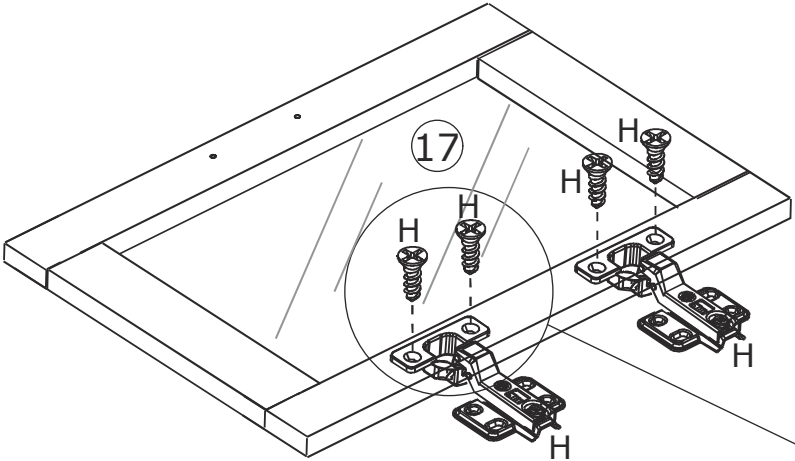
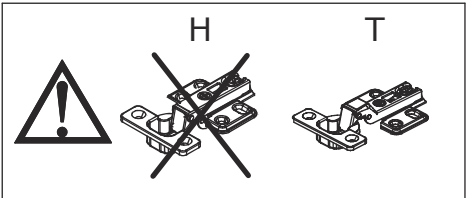
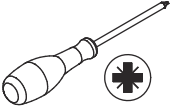
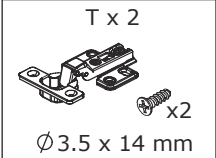
20



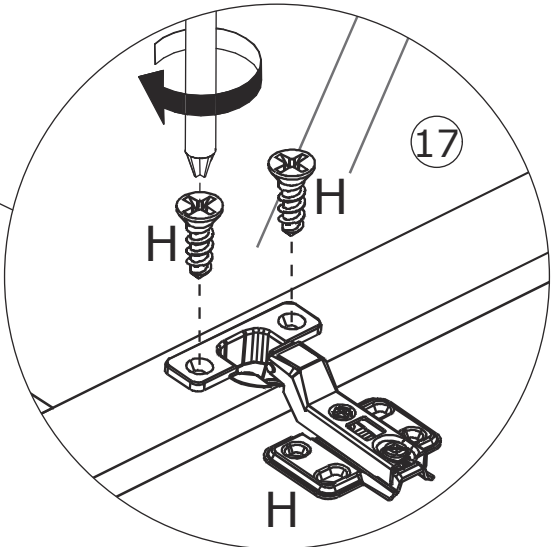
Fix hinge(H) to board 16 as shown.



21



Fix hinge(T) to board 16 as shown.

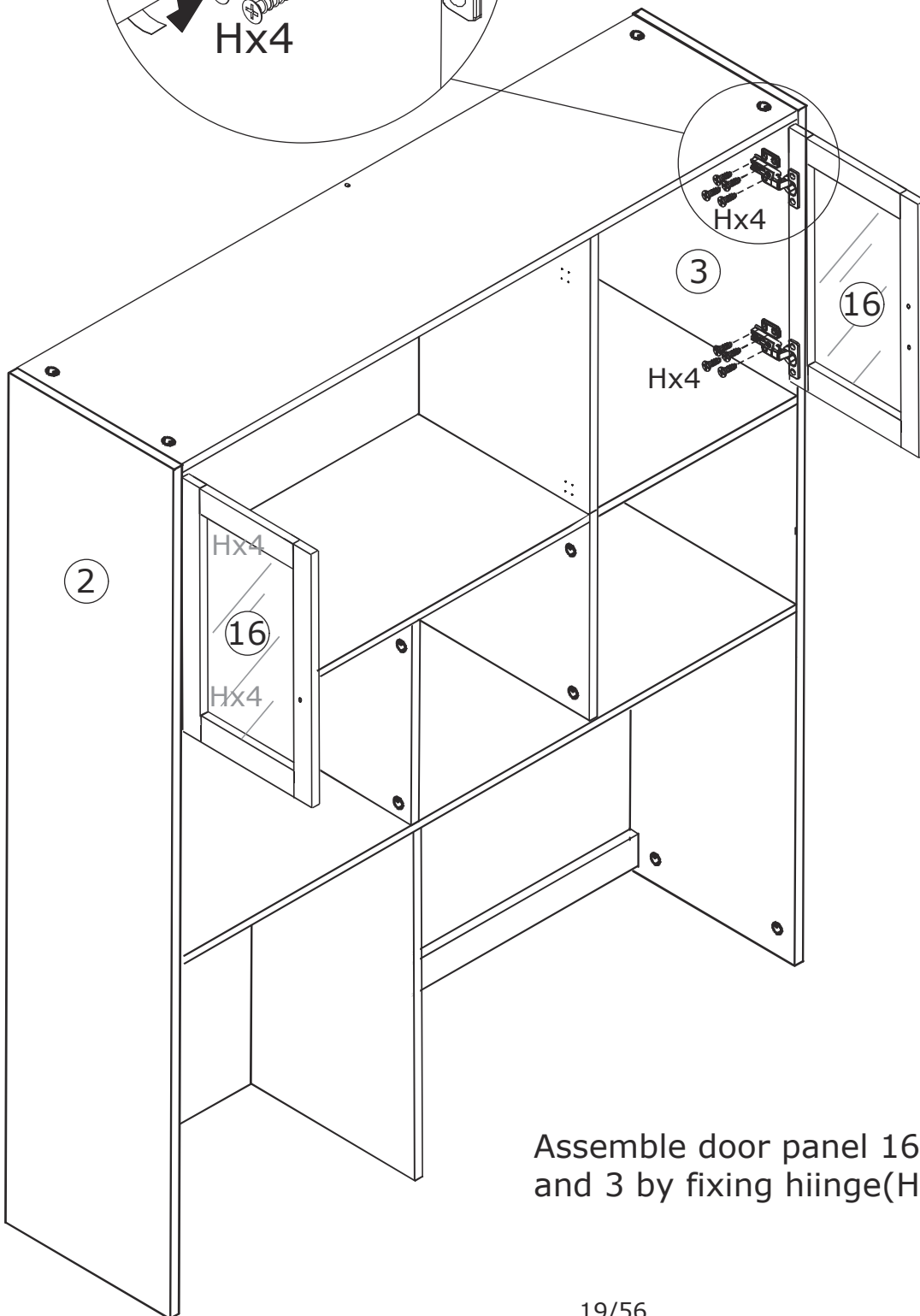
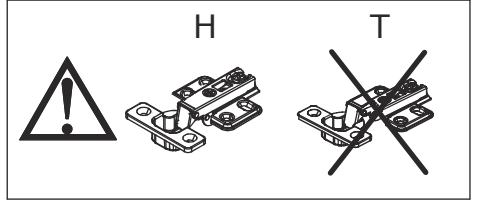
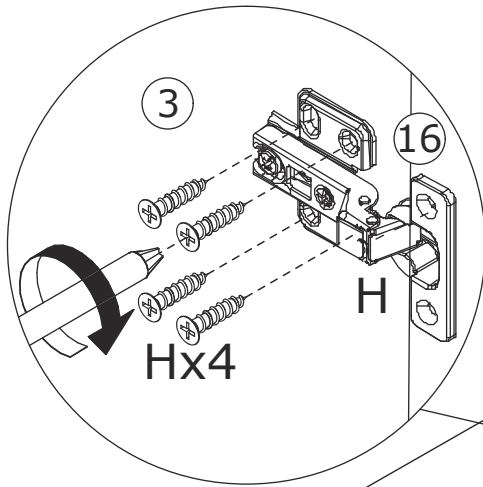
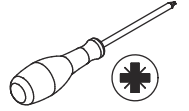


22

H x 16

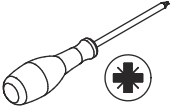
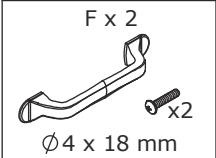


Ø3.5 x 14 mm

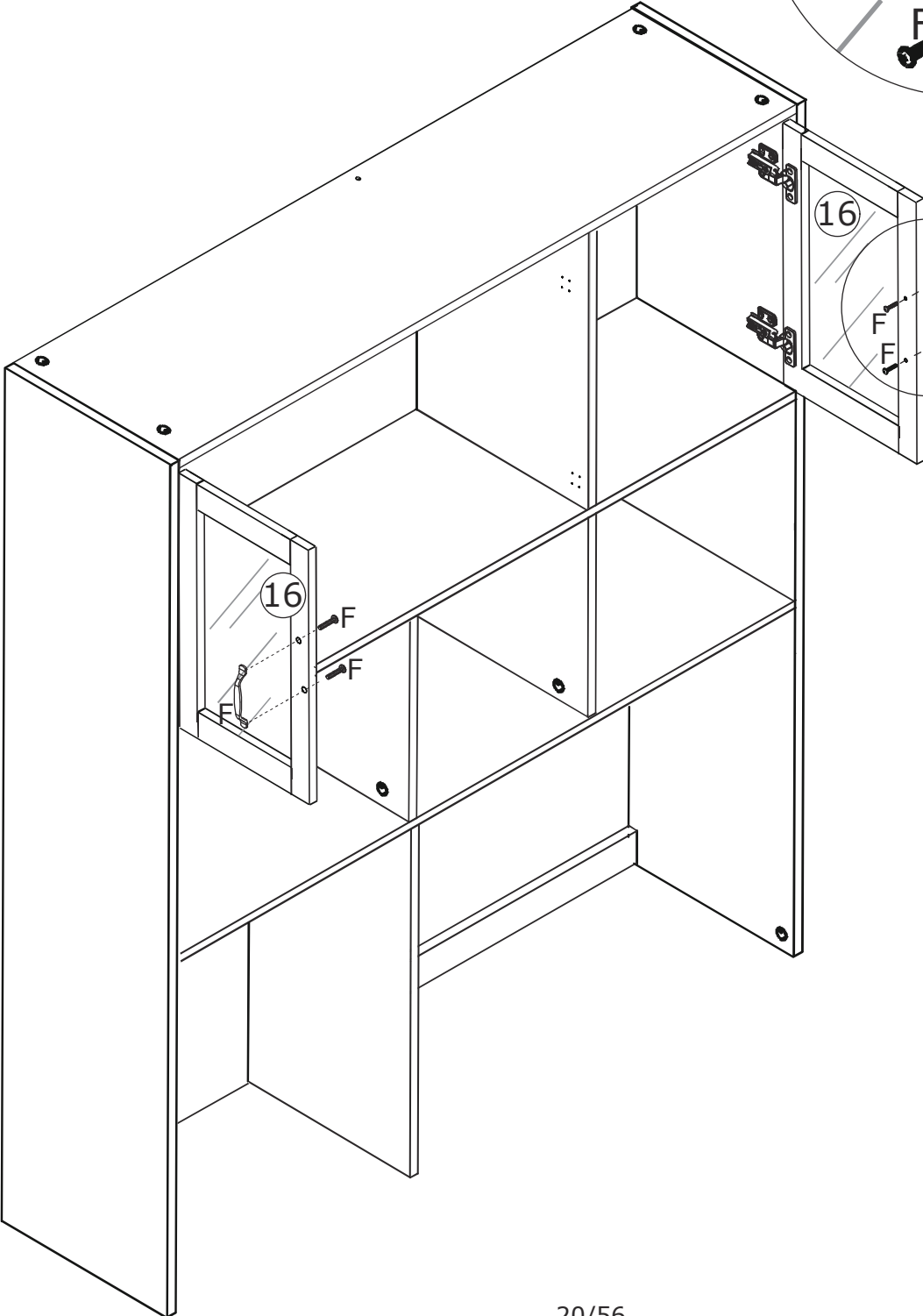
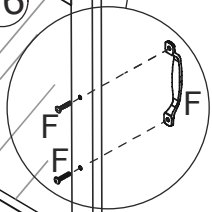
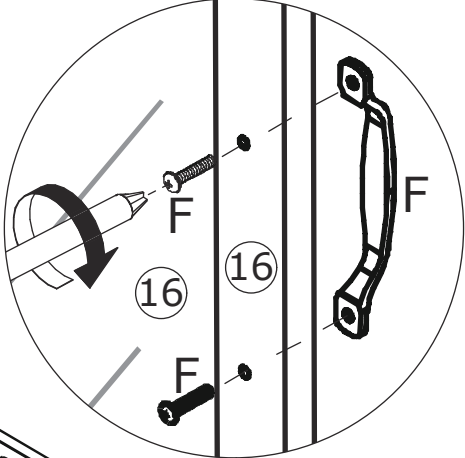


Assemble door panel 16 to board 2 and 3 by fixing hiinge(H) as shown.

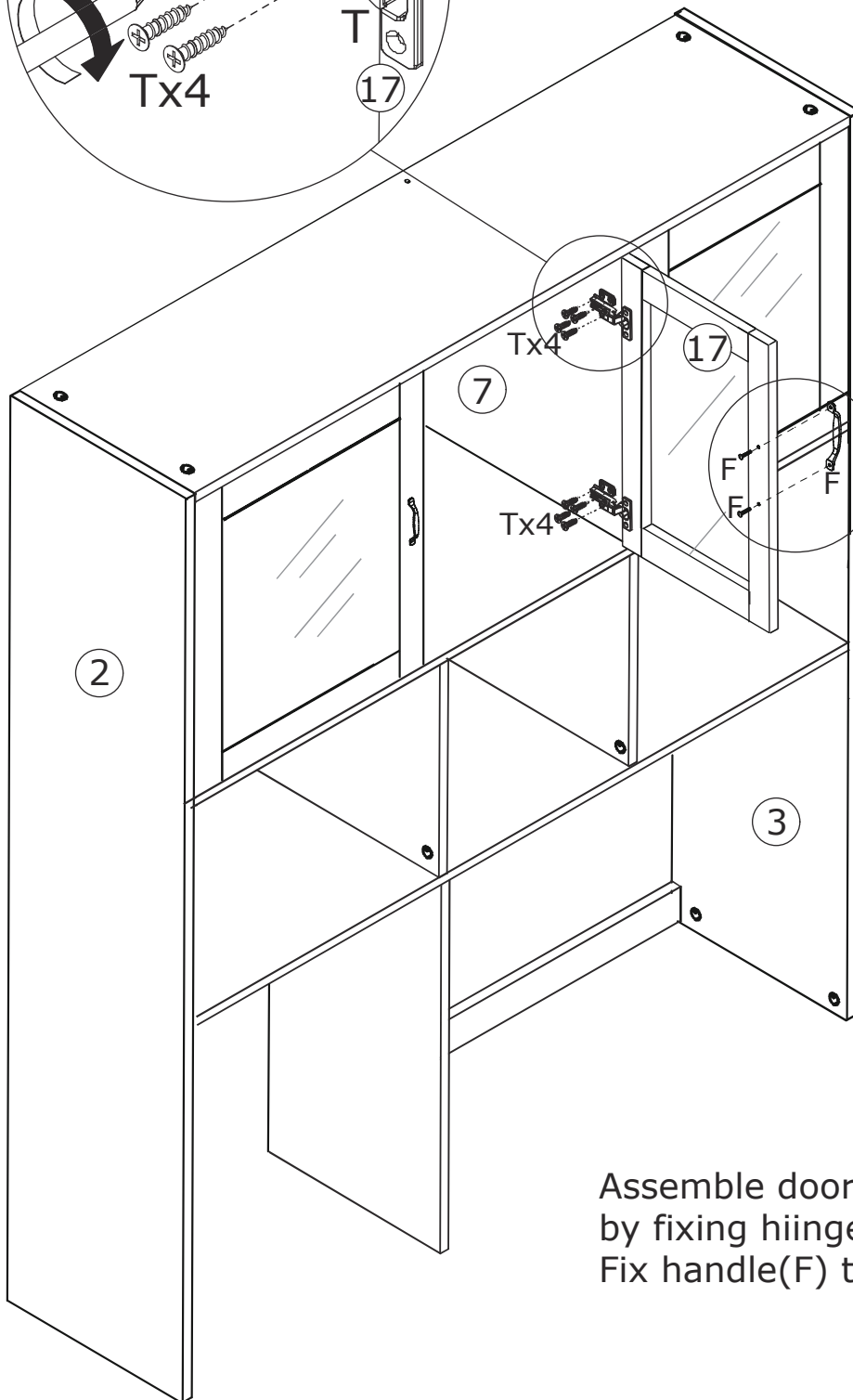
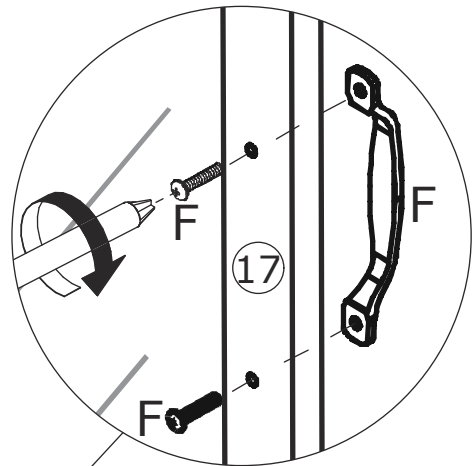
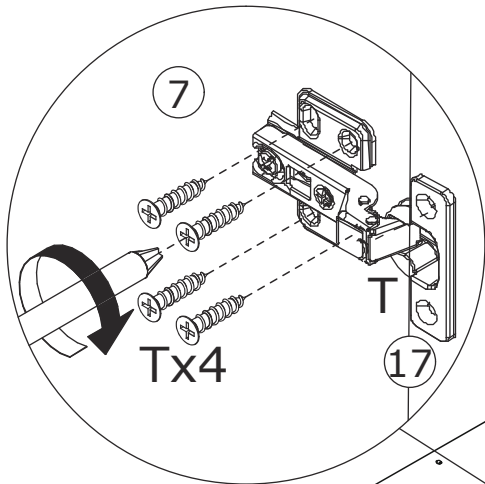
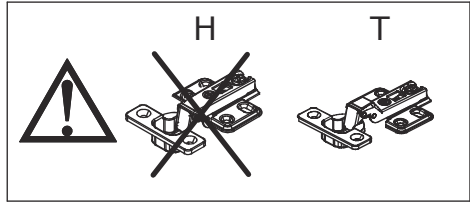
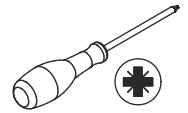
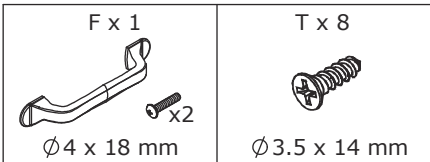
23



Fix handle(F) to board 16 as shown.

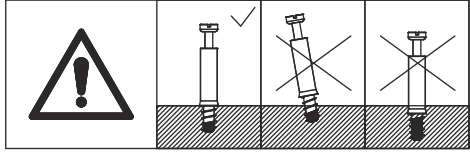
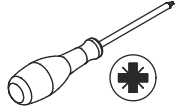
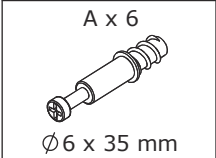


24

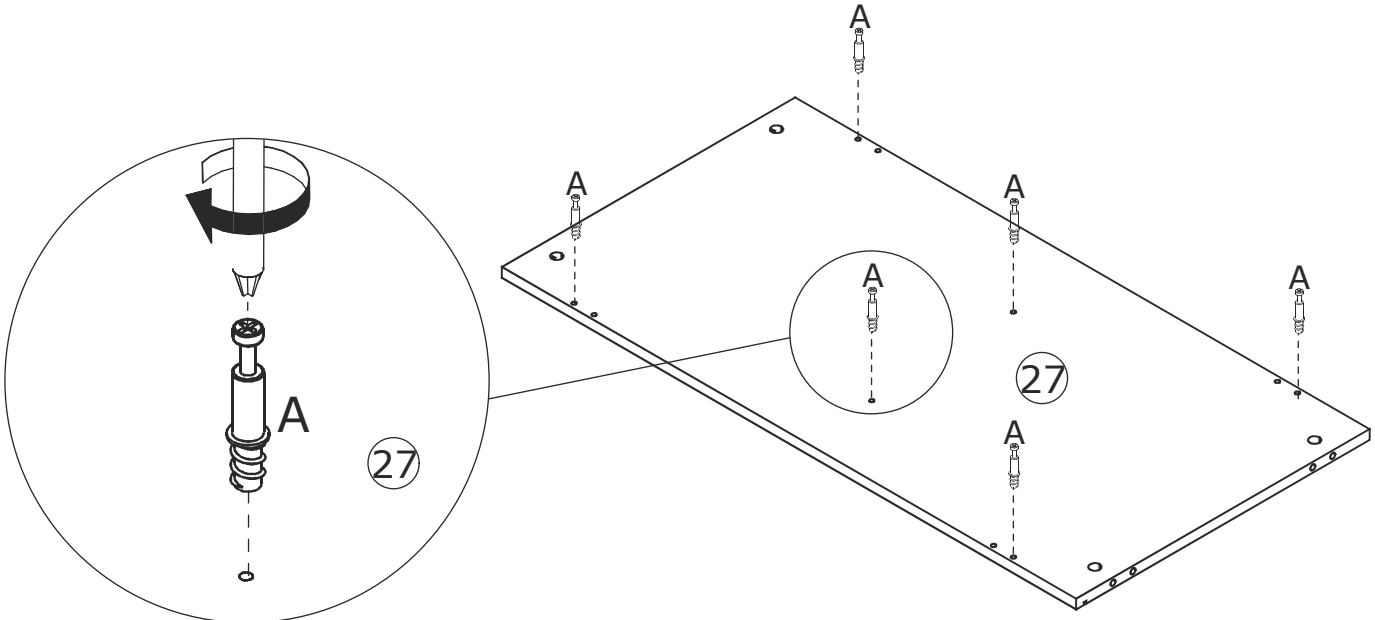


Assemble door panel 17 to board 7 by fixing hinge(T) as shown.
Fix handle(F) to board 17 as shown.

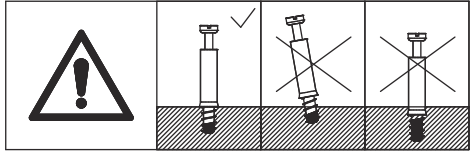
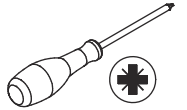
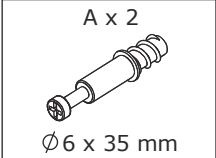
25



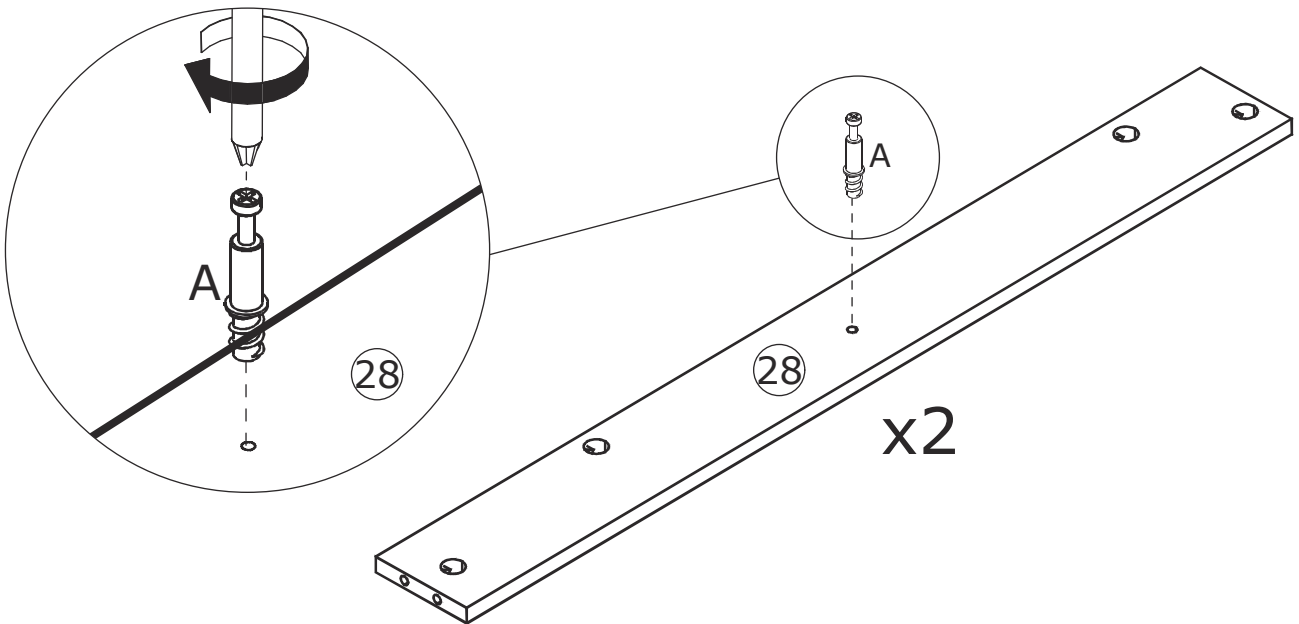
Screw eccentric rod(A) into board 27 as shown.



26



Screw eccentric rod(A) into board 28 as shown.

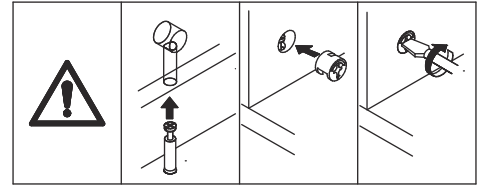
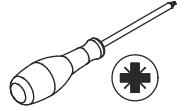


27

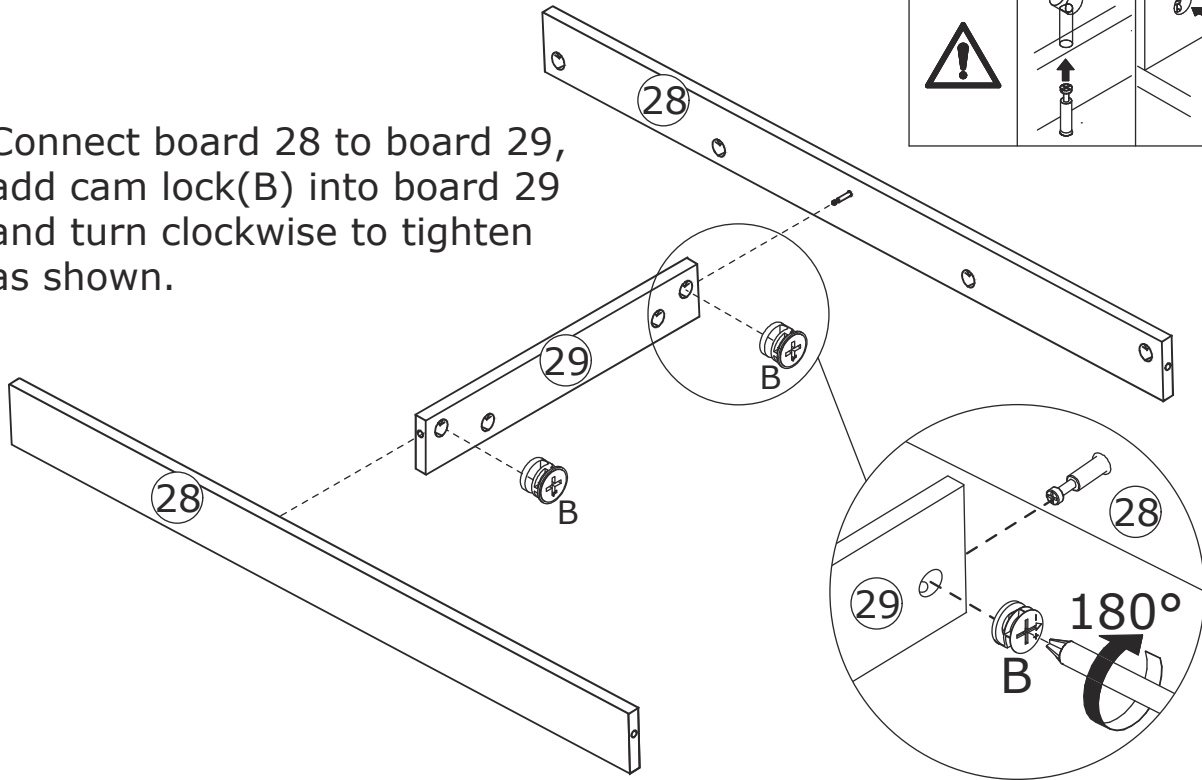
B x 2



Ø15 x 11 mm



Connect board 28 to board 29, add cam lock(B) into board 29 and turn clockwise to tighten as shown.



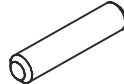
28

B x 6

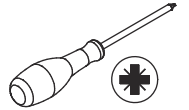


Ø15 x 11 mm

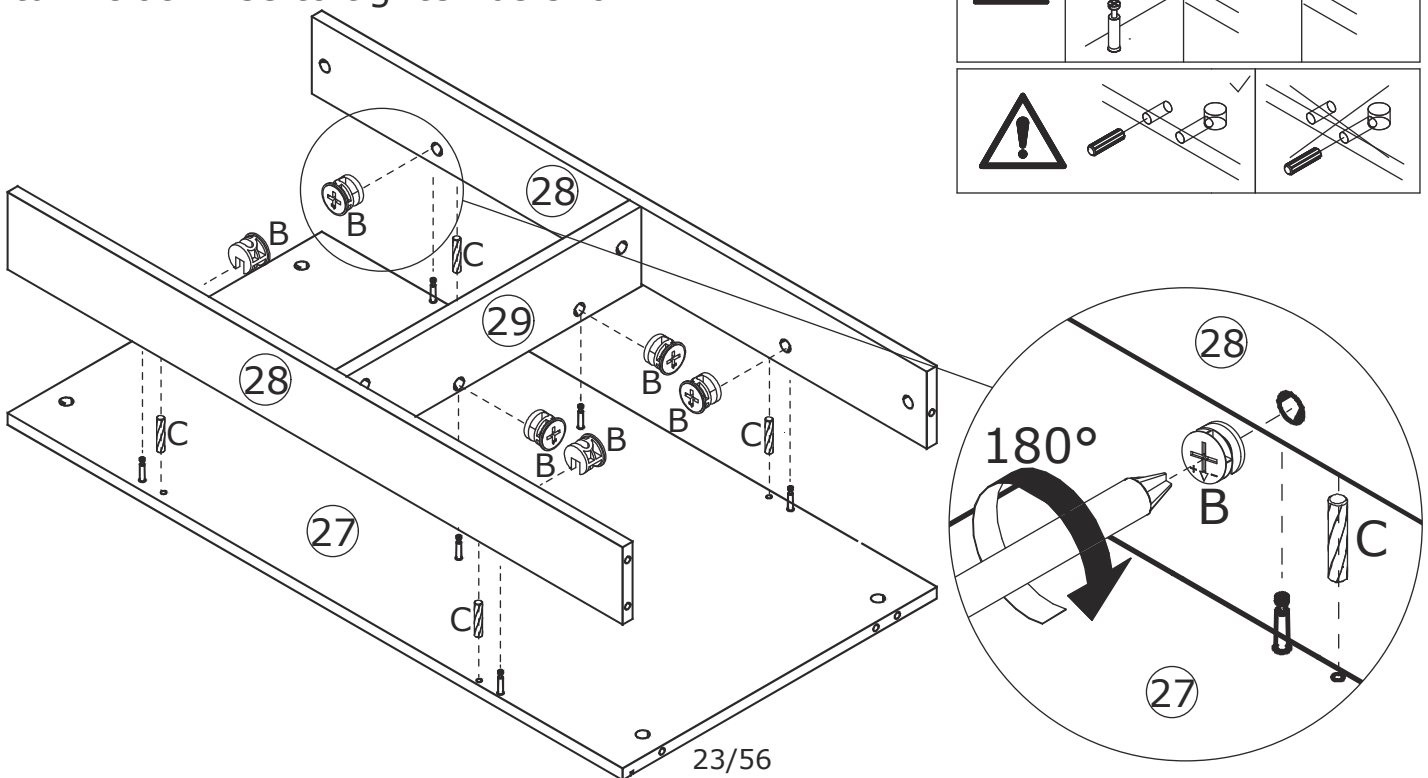
C x 4

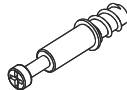
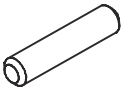
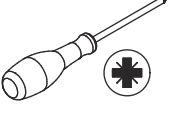

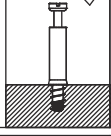
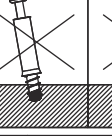
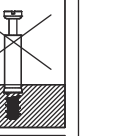


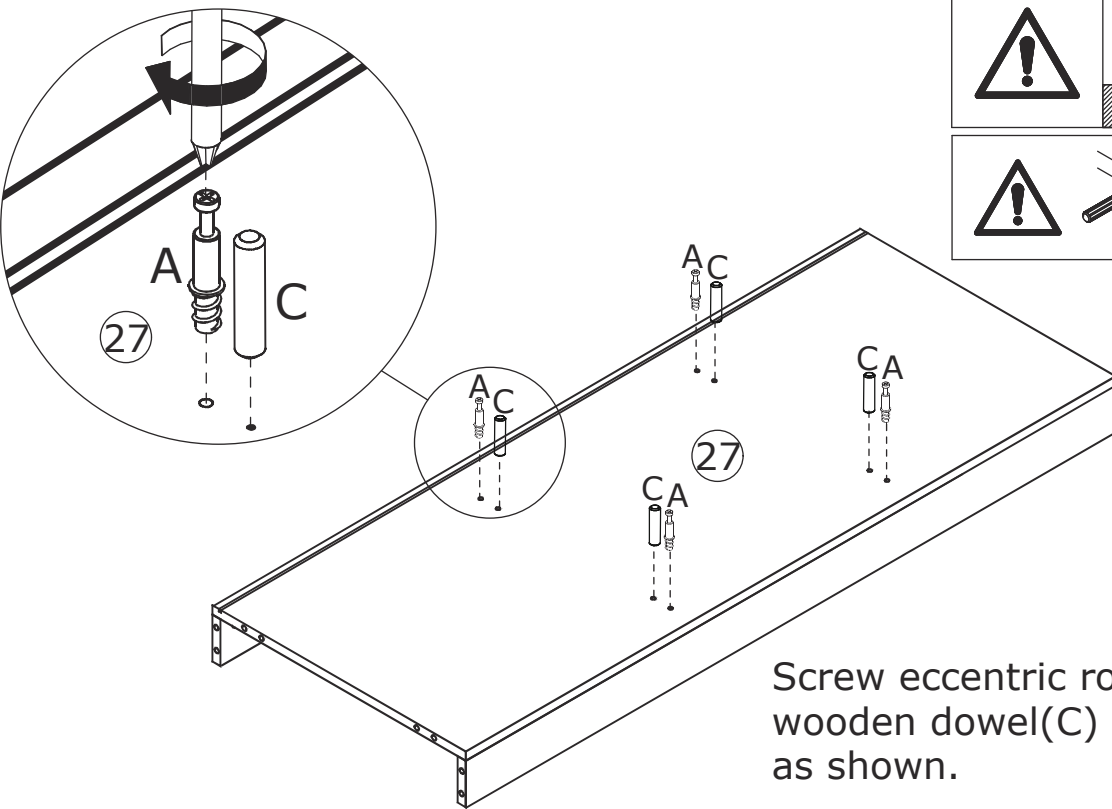
Ø8 x 30 mm



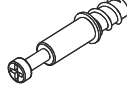


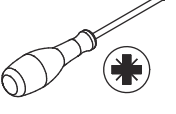

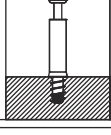
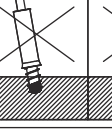
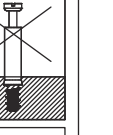
Attach the component to board 27 using wooden dowel(C), add cam lock(B) into board 28,29 and turn clockwise to tighten as shown.



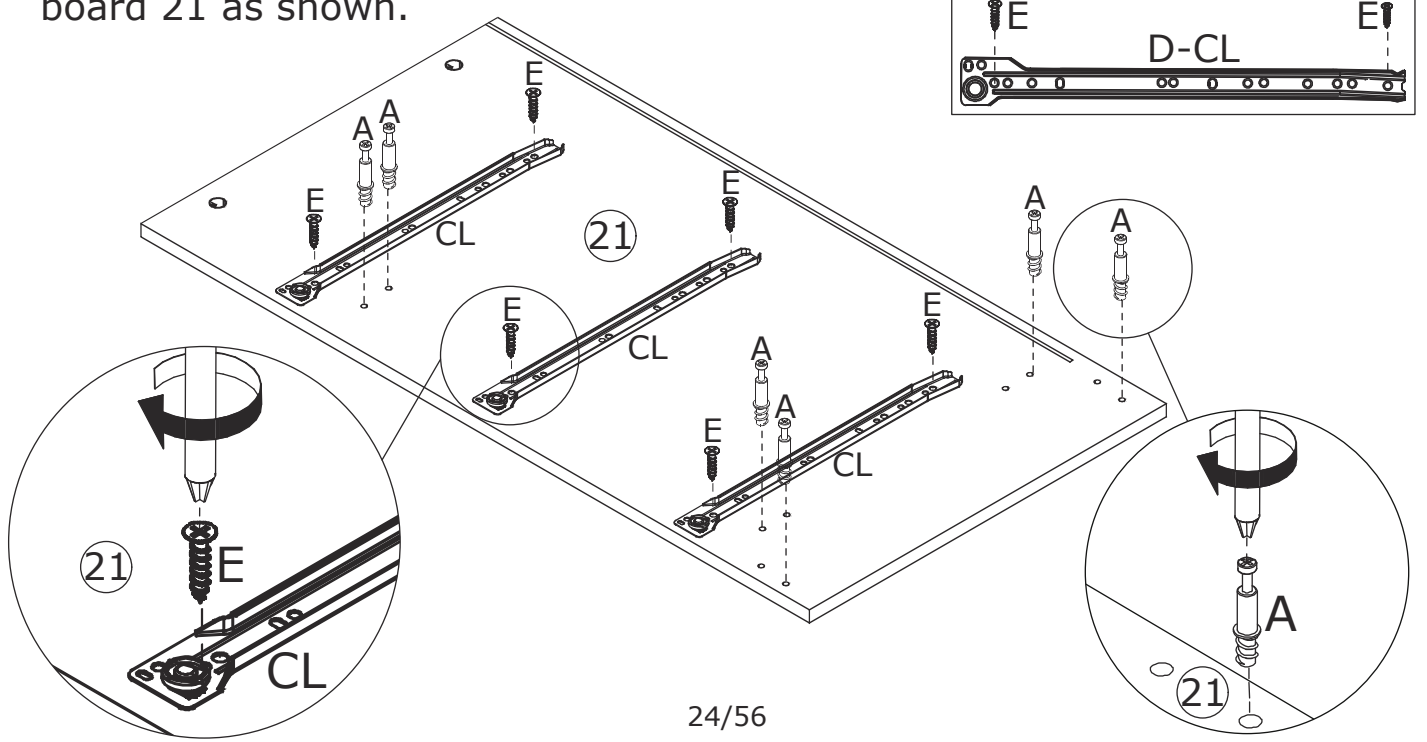
| | | | |
|----|---|--|---|
| 29 | A x 4  Ø6 x 35 mm | C x 4  Ø8 x 30 mm |  |
| |     | | |



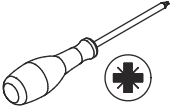
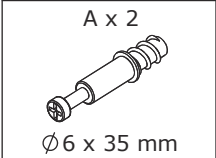
Screw eccentric rod(A) and insert wooden dowel(C) into board 27 as shown.

| | | | | |
|----|---|--|--|---|
| 30 | A x 6  Ø6 x 35 mm | D x 3  CL L = 350 mm | E x 6  Ø3 x 12 mm |  |
| |     | | | |

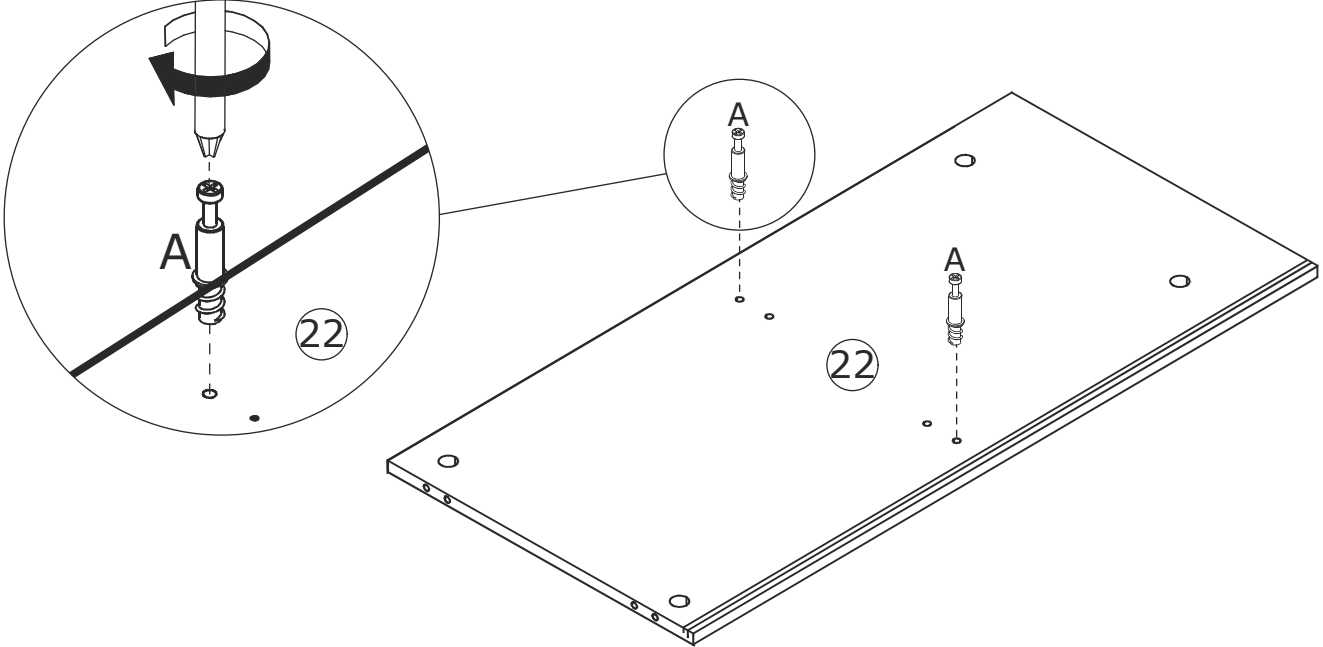
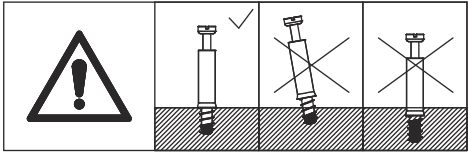
Fix rail(D-CL) to board 21 with screw(E) as shown. Screw eccentric rod(A) into board 21 as shown.



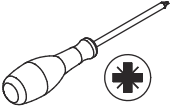
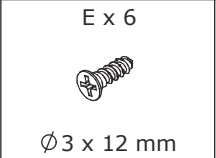
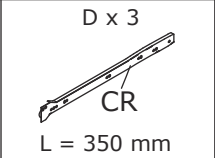
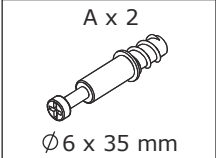
31



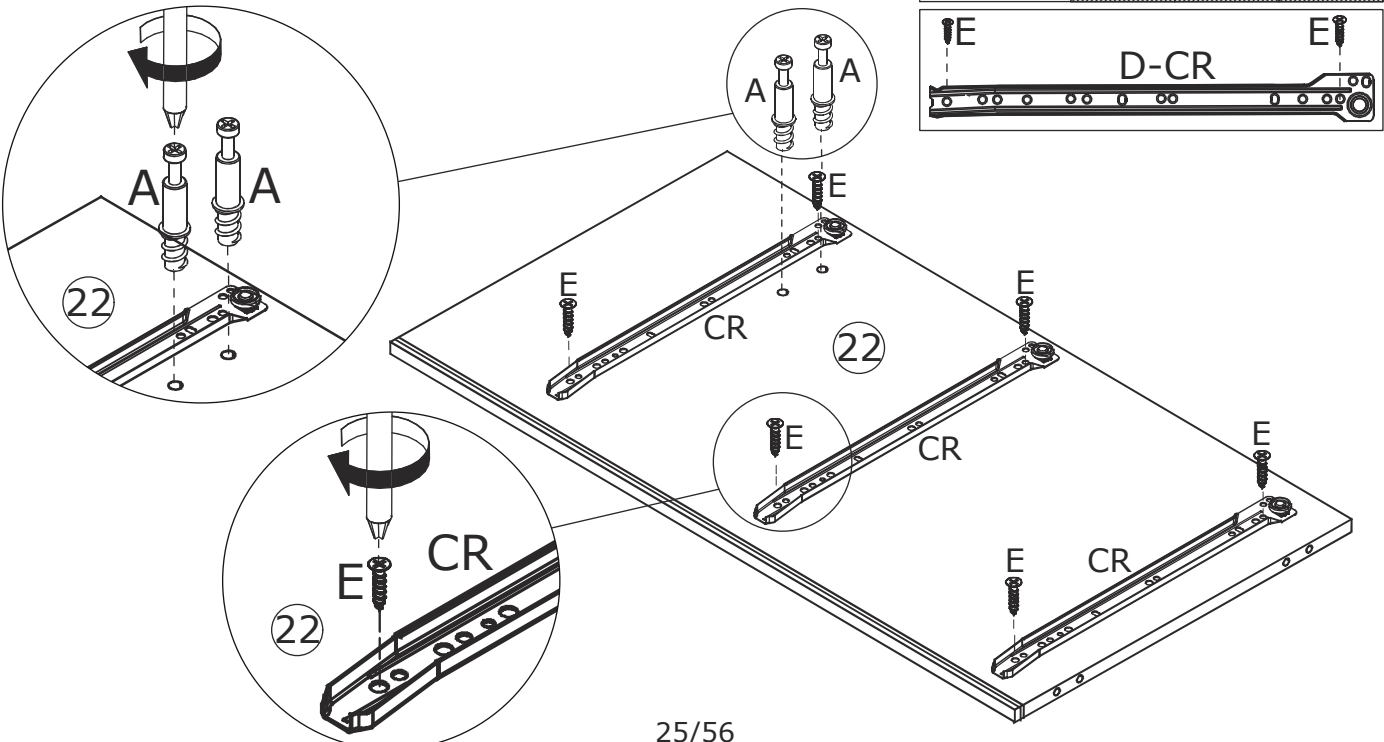
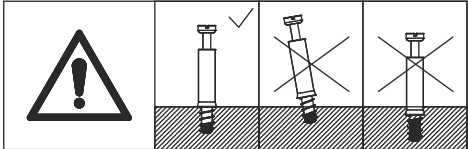
Screw eccentric rod(A)
into board 22 as shown.



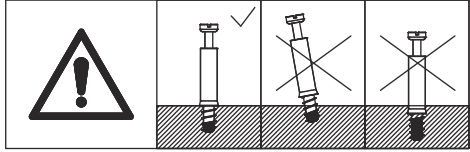
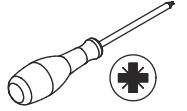
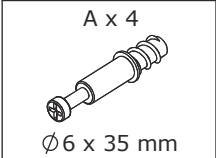
32



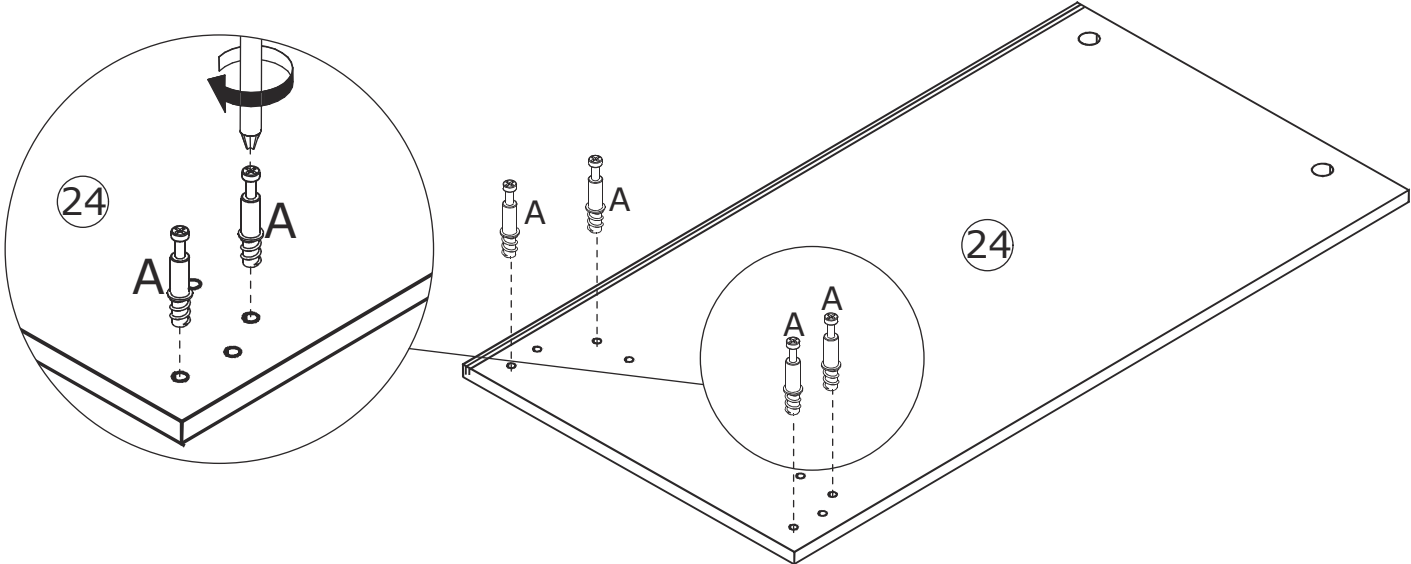
Flip board 22 to back, fix rail(D-CR) to
with screw(E) as shown.
Screw eccentric rod(A) into board 22 as shown.



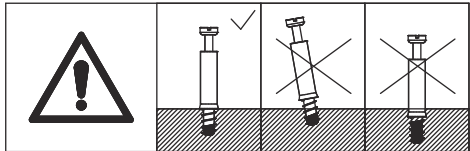
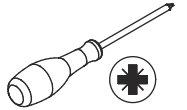
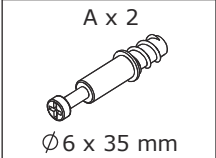
33



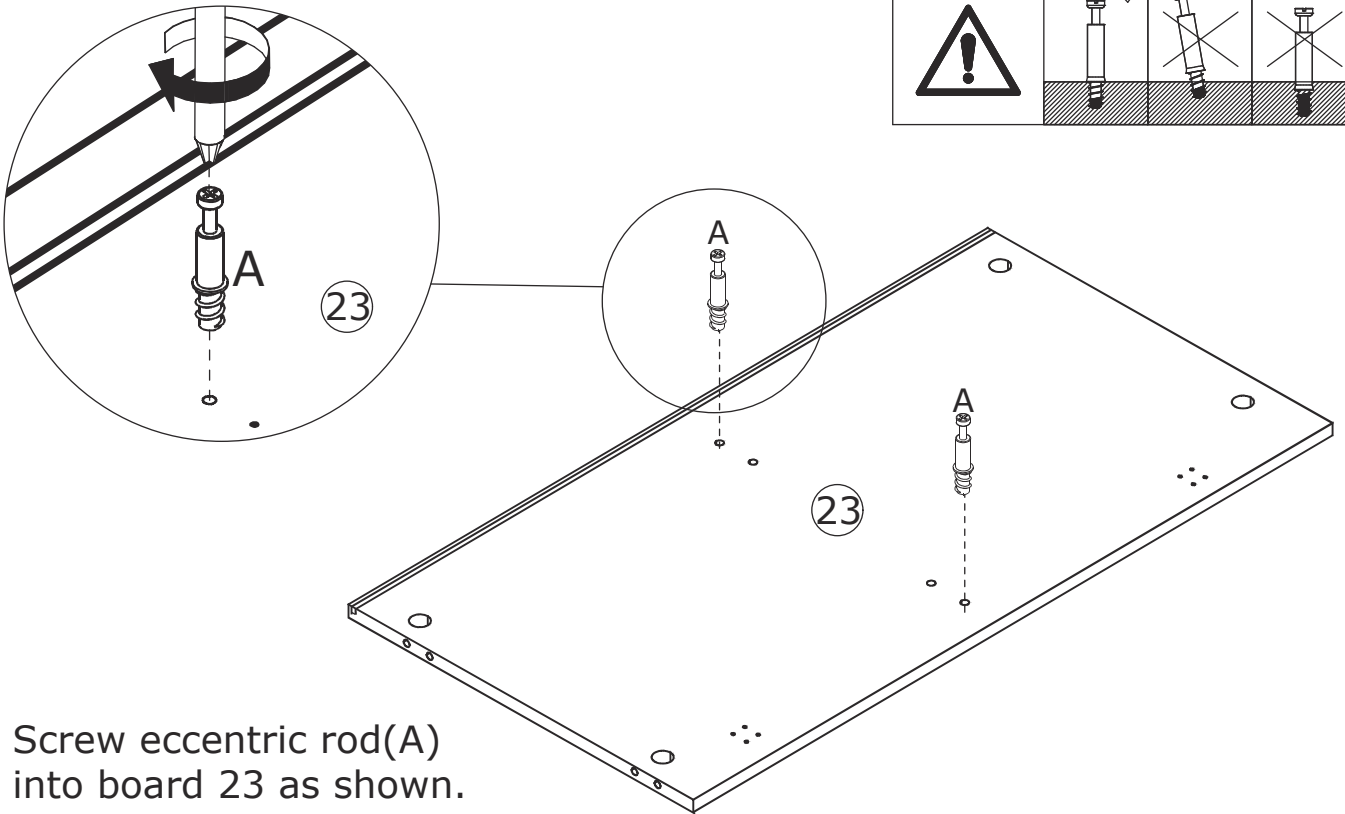
Screw eccentric rod(A) into board 24 as shown.



34



Screw eccentric rod(A) into board 23 as shown.



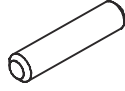
35

B x 2

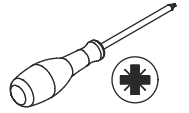


Ø15 x 11 mm

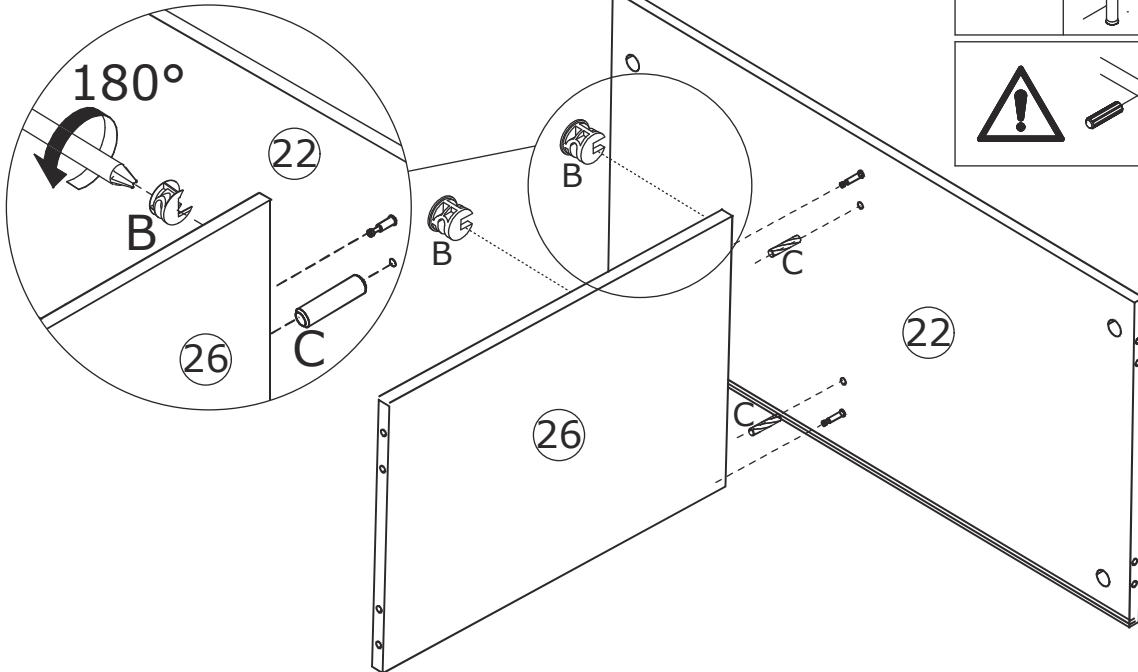
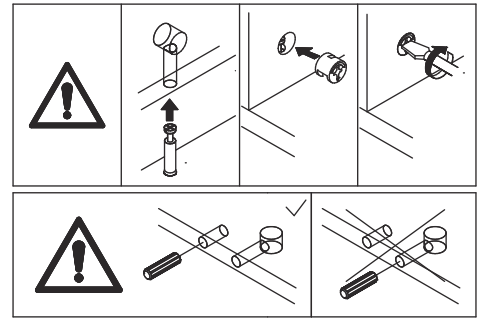
C x 2



Ø8 x 30 mm



Attach board 26 to board 22 using wooden dowel(C), add cam lock(B) into board 26 and turn clockwise to tighten as shown.



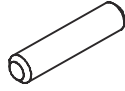
36

B x 2

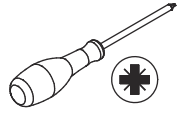


Ø15 x 11 mm

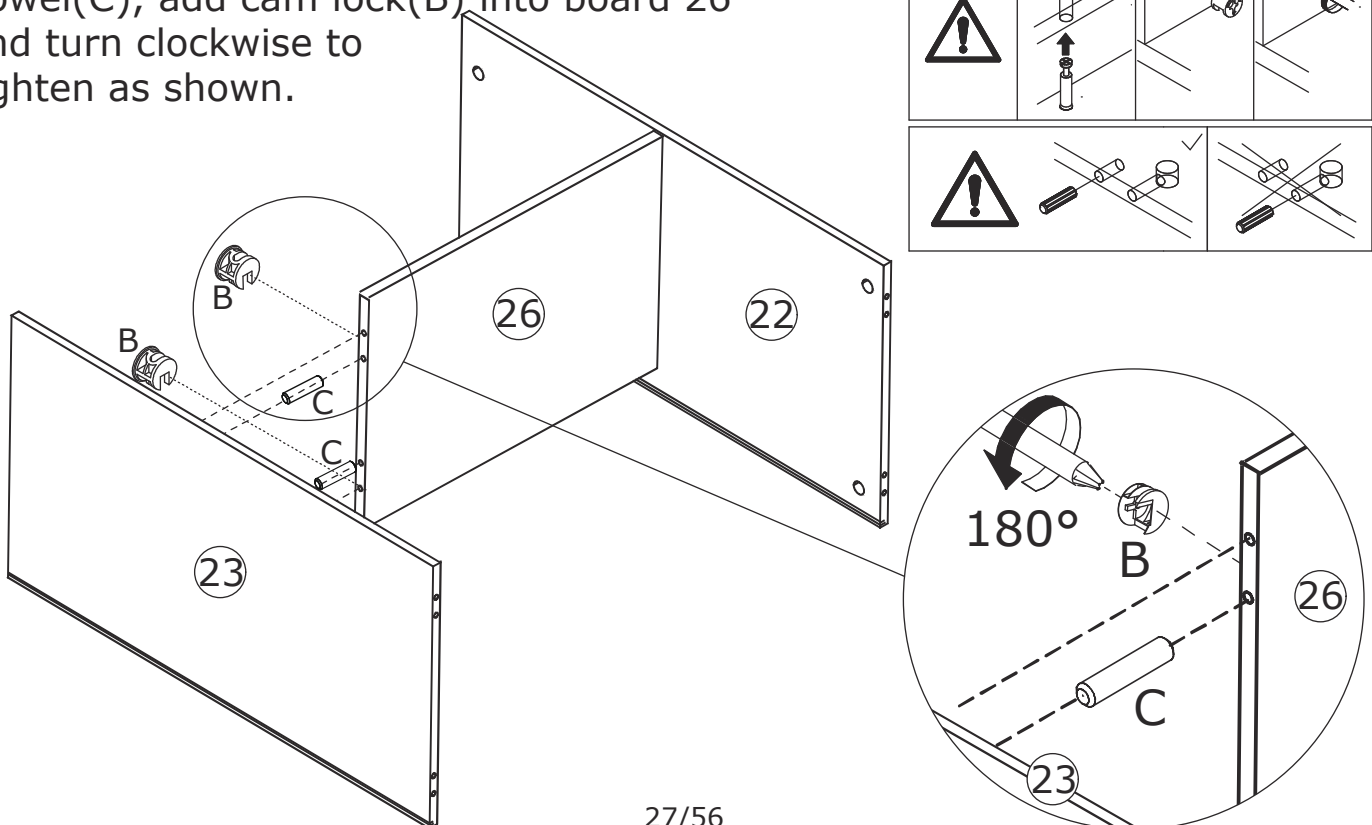
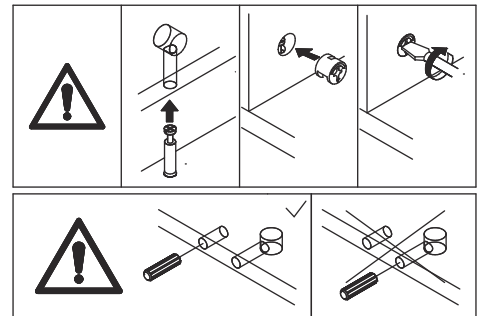
C x 2



Ø8 x 30 mm



Attach board 23 to board 26 using wooden dowel(C), add cam lock(B) into board 26 and turn clockwise to tighten as shown.

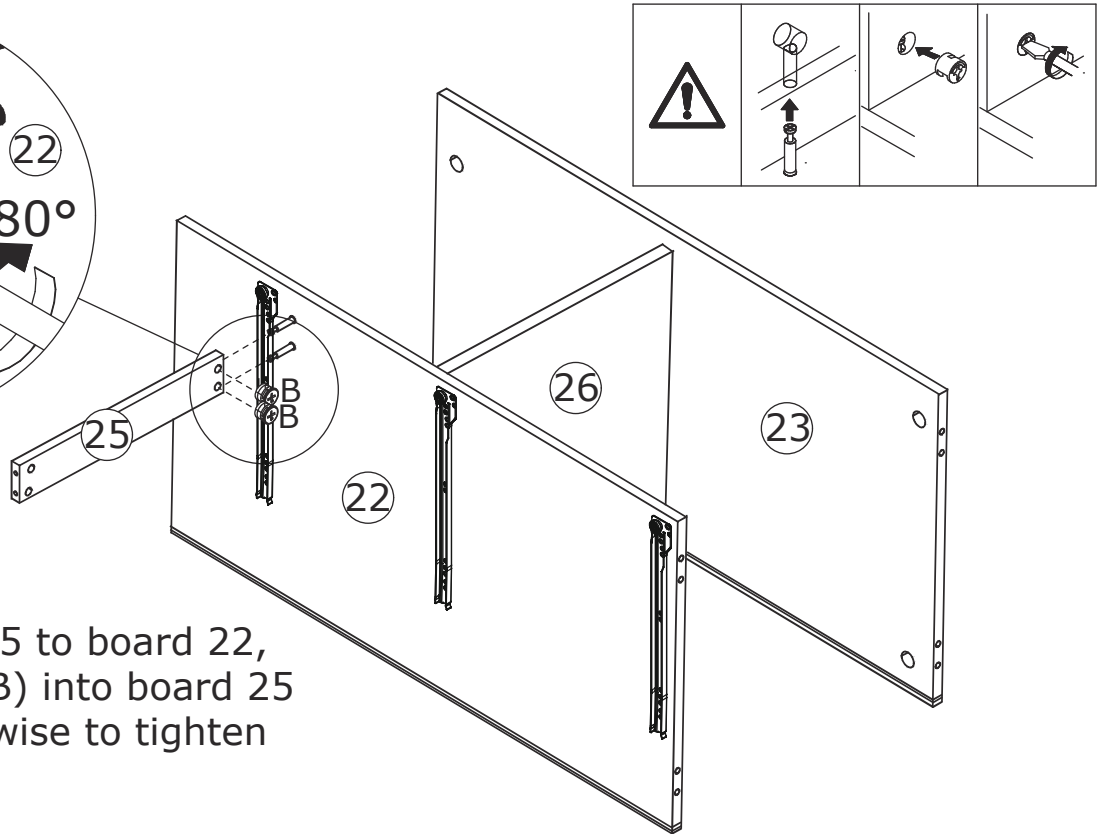
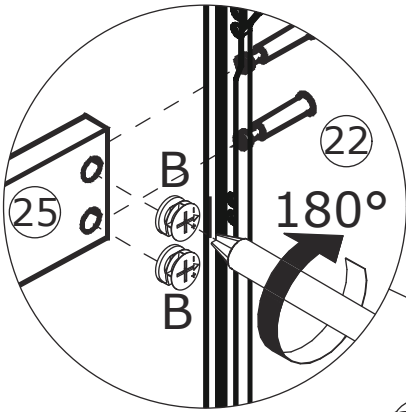
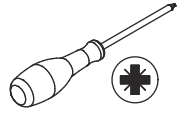


37

B x 2



Ø 15 x 11 mm



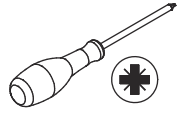
Attach board 25 to board 22, add cam lock(B) into board 25 and turn clockwise to tighten as shown.

38

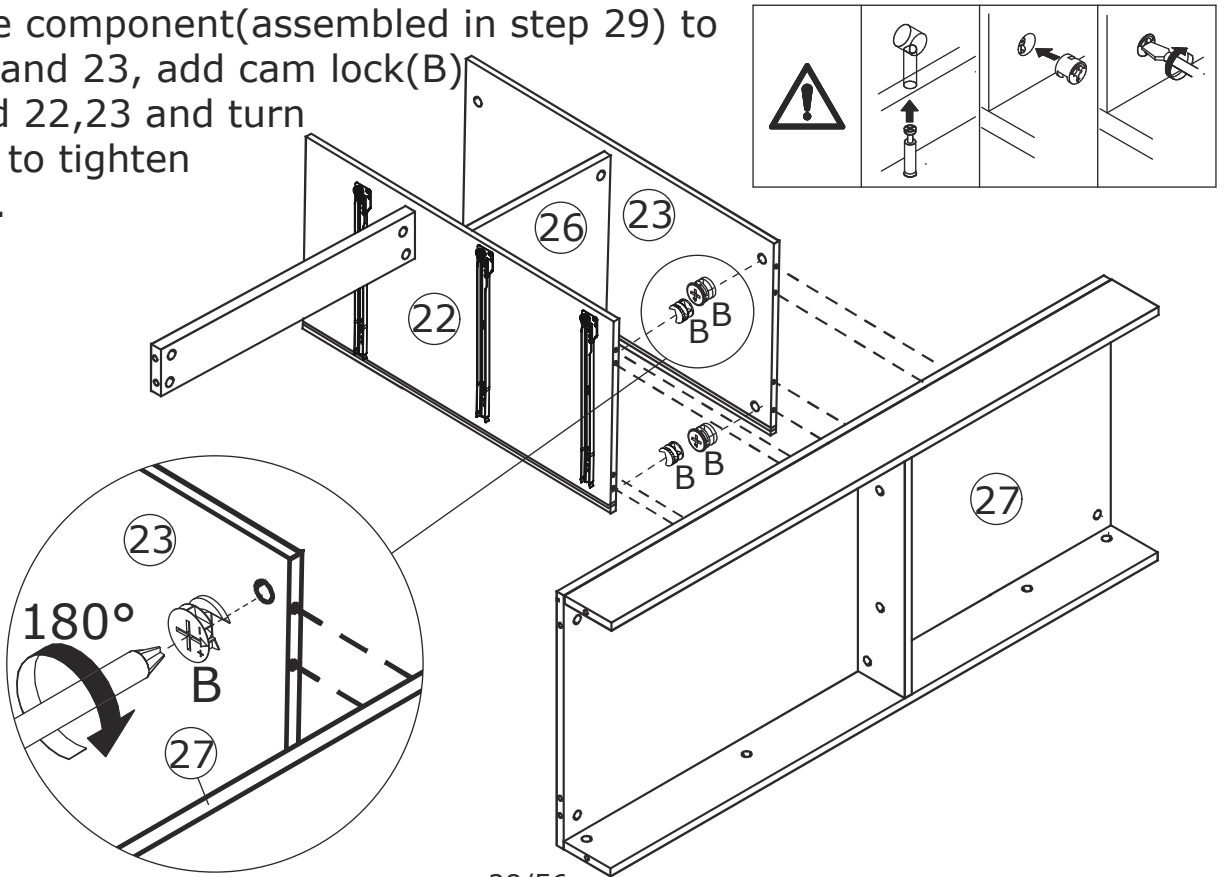
B x 4



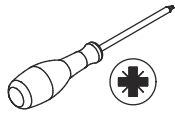
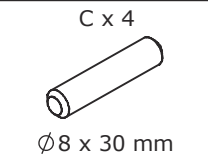
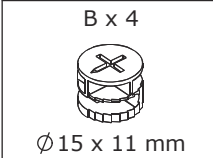
Ø 15 x 11 mm



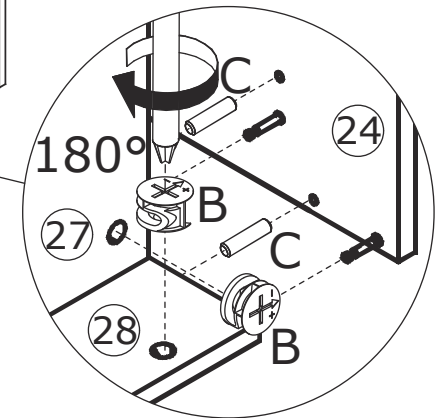
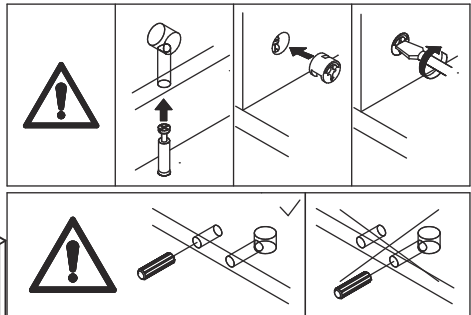
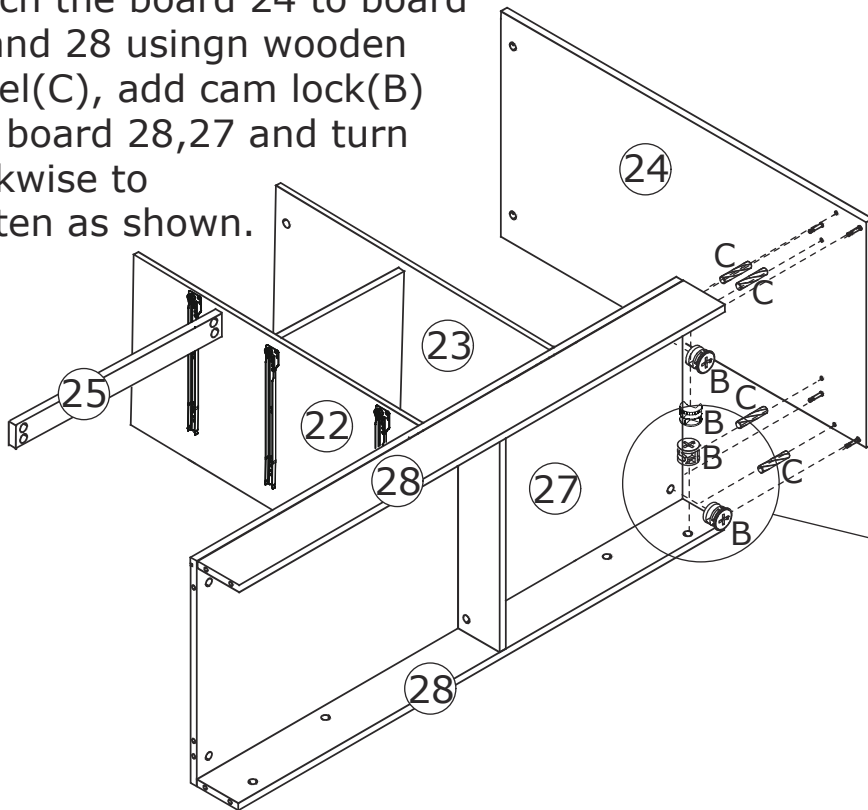
Attach the component(assembled in step 29) to board 22 and 23, add cam lock(B) into board 22,23 and turn clockwise to tighten as shown.



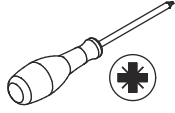
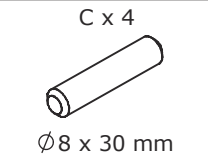
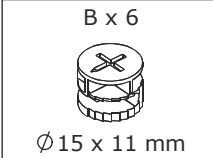
39



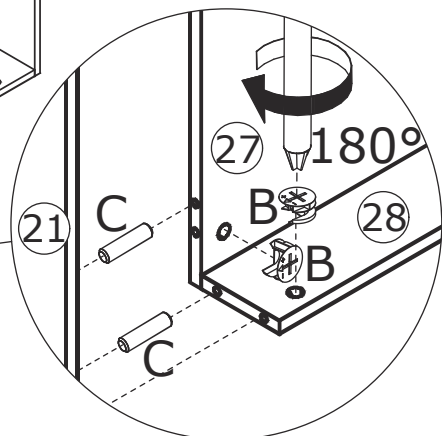
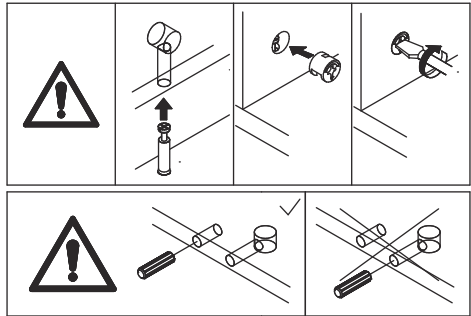
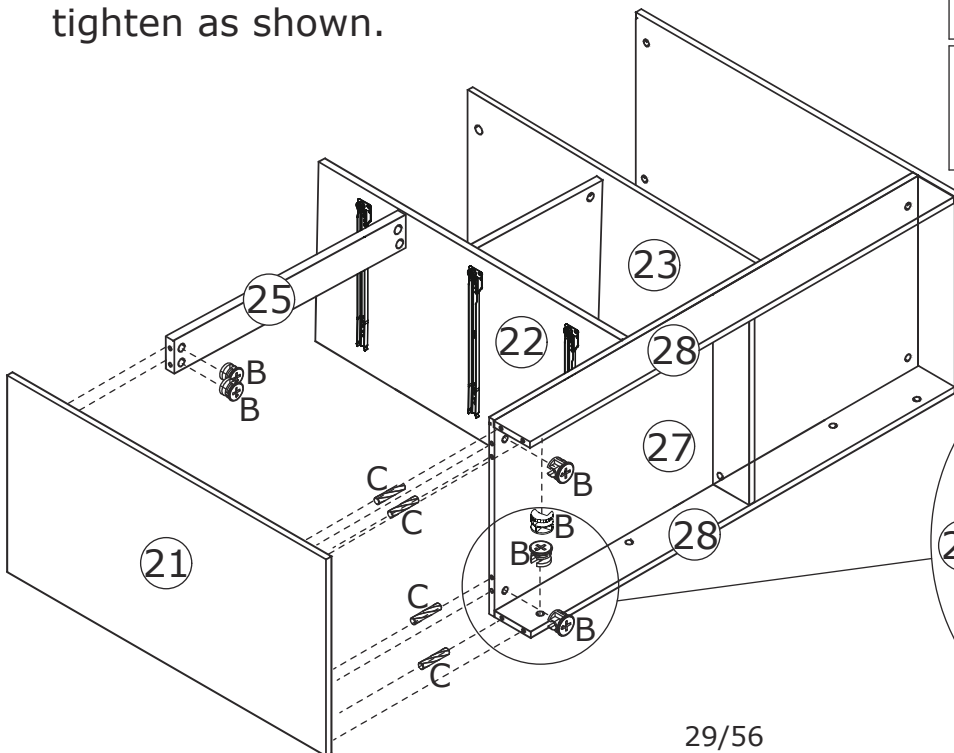
Attach the board 24 to board 27 and 28 using wooden dowel (C), add cam lock (B) into board 28, 27 and turn clockwise to tighten as shown.



40

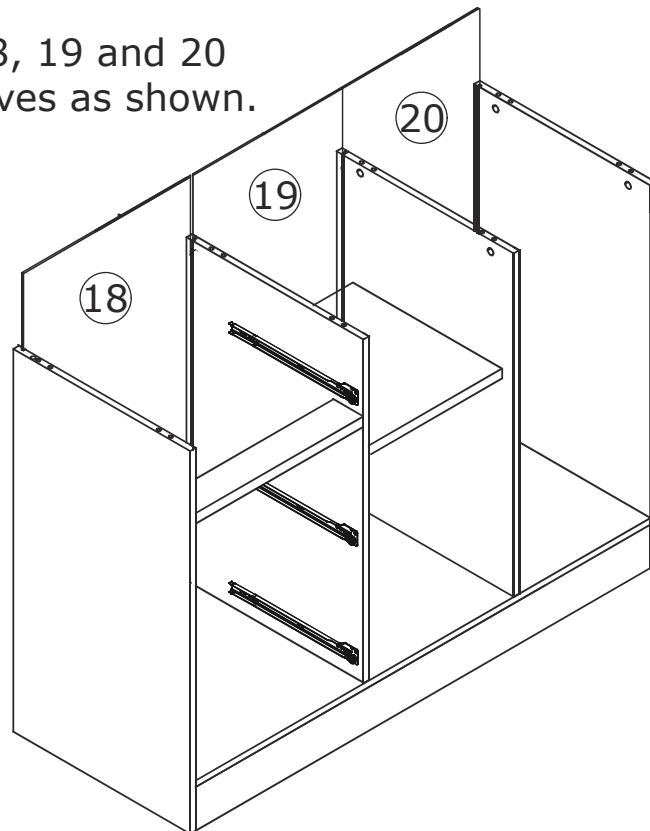


Attach board 21 to board 25, 27 and 28 using wooden dowel (C), add cam lock (B) into board 25, 28, 27 and turn clockwise to tighten as shown.



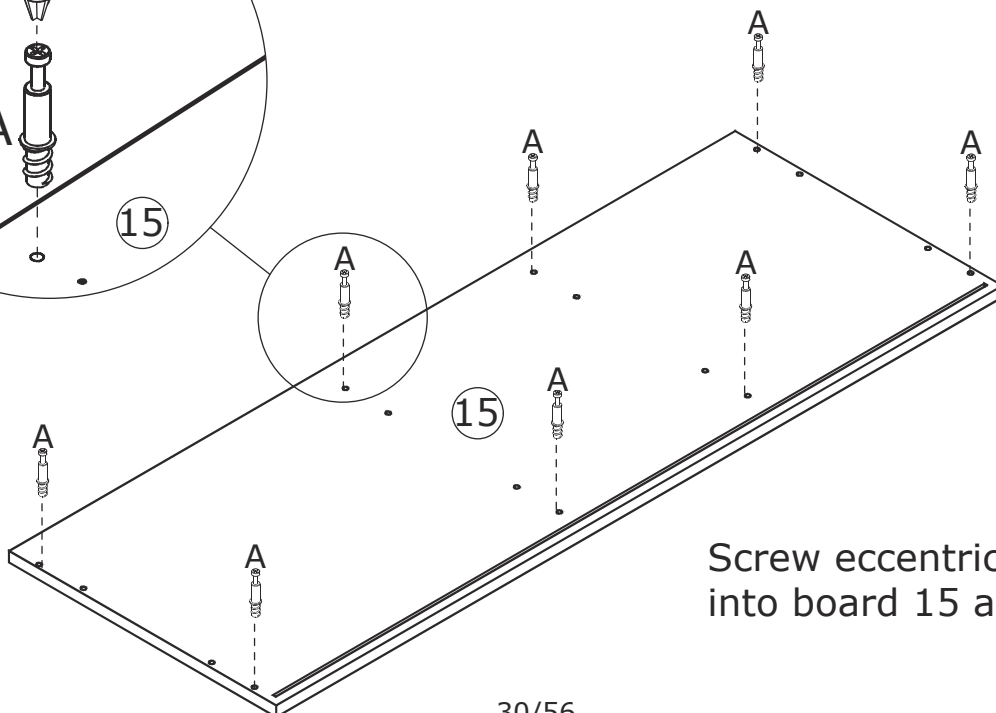
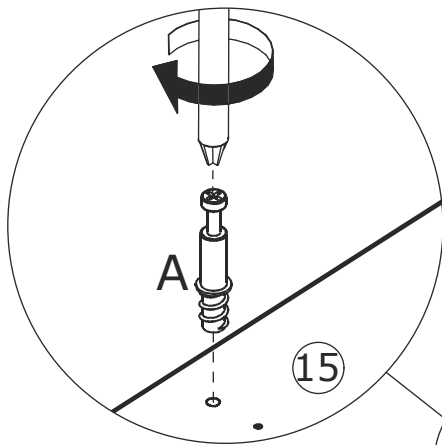
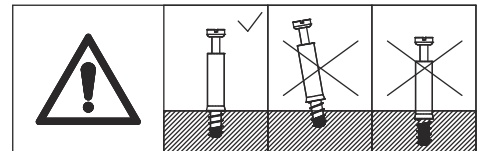
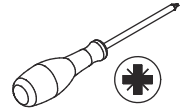
41

Insert back board 18, 19 and 20 along available grooves as shown.



42

A x 8
Ø6 x 35 mm



Screw eccentric rod(A)
into board 15 as shown.

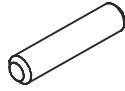
43

B x 8

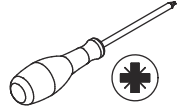


Ø 15 x 11 mm

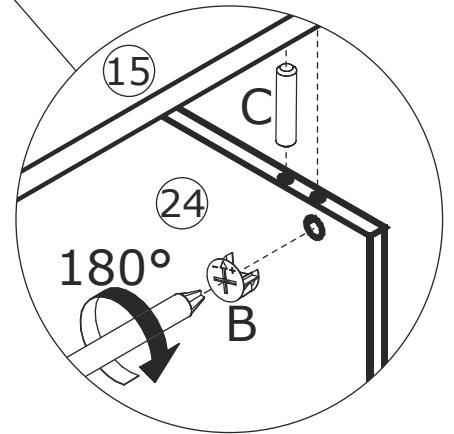
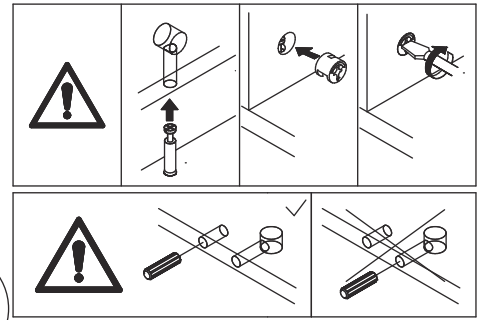
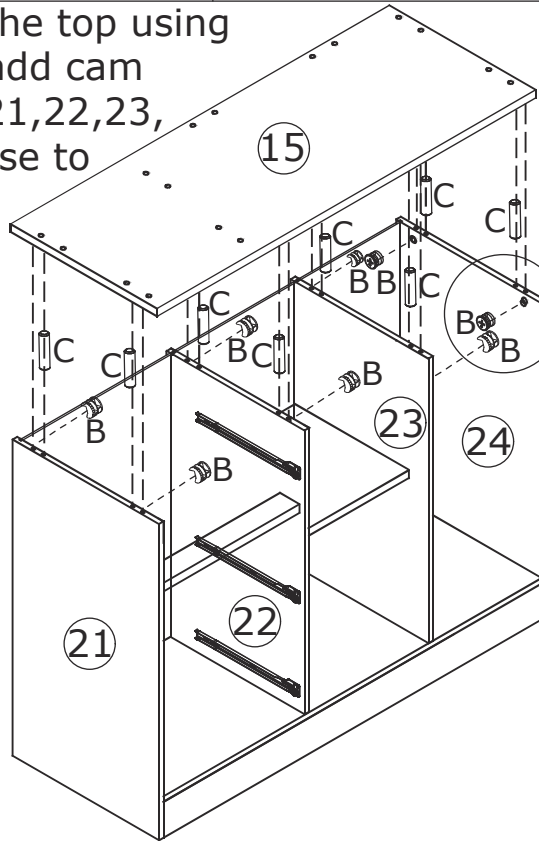
C x 8



Ø 8 x 30 mm



Cover board 15 to the top using wooden dowel(C), add cam lock(B) into board 21,22,23, 24 and turn clockwise to tighten as shown.

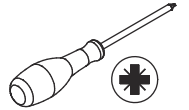


44

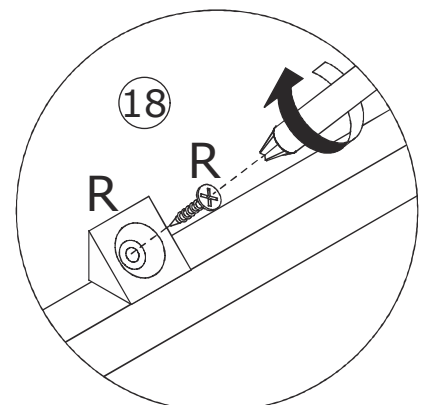
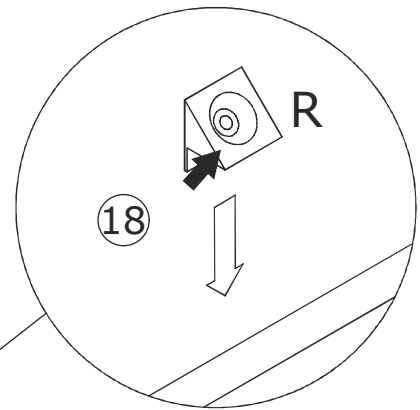
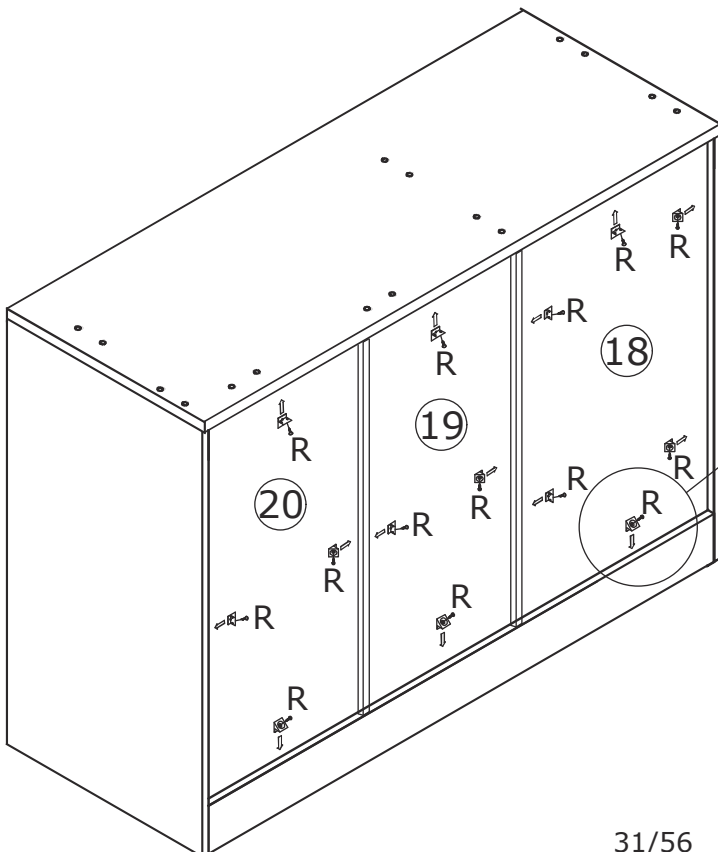
R x 14



Ø 3 x 12 mm

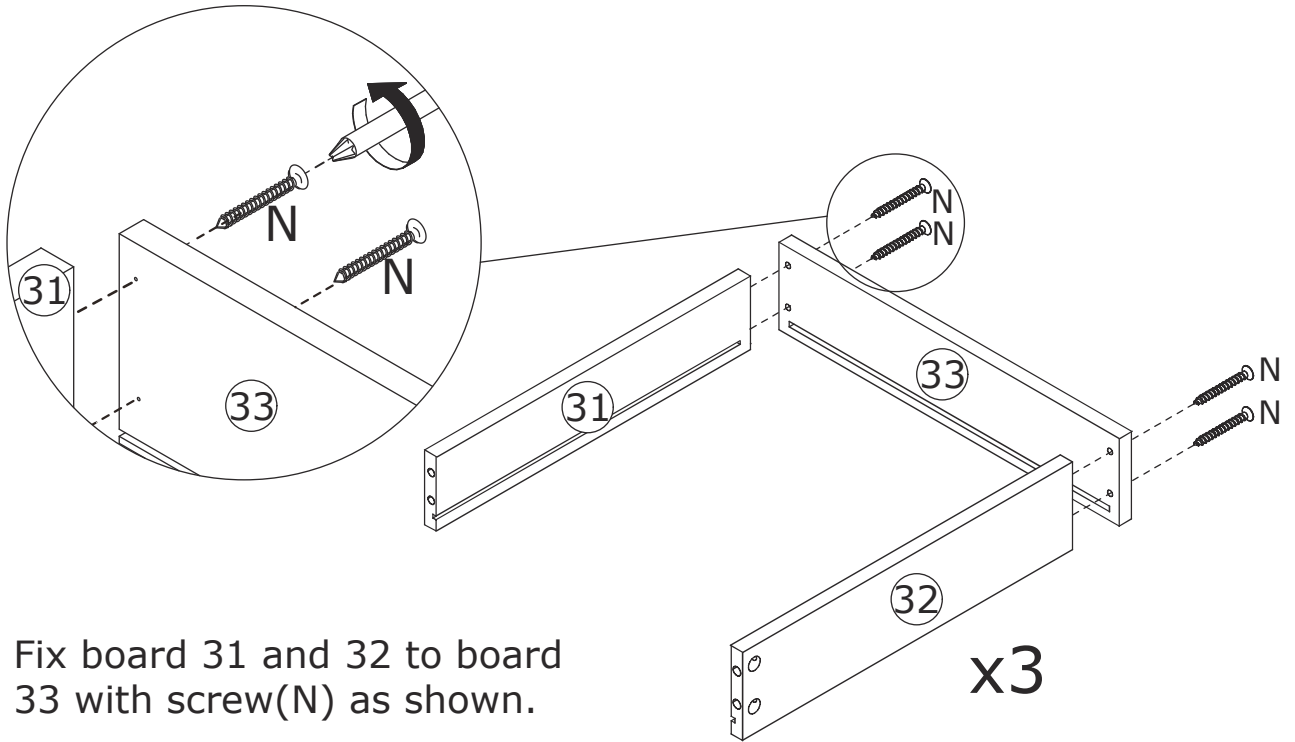
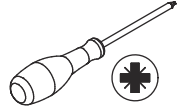


Insert buckle(R) into back slots and fix with screw(R) as shown.



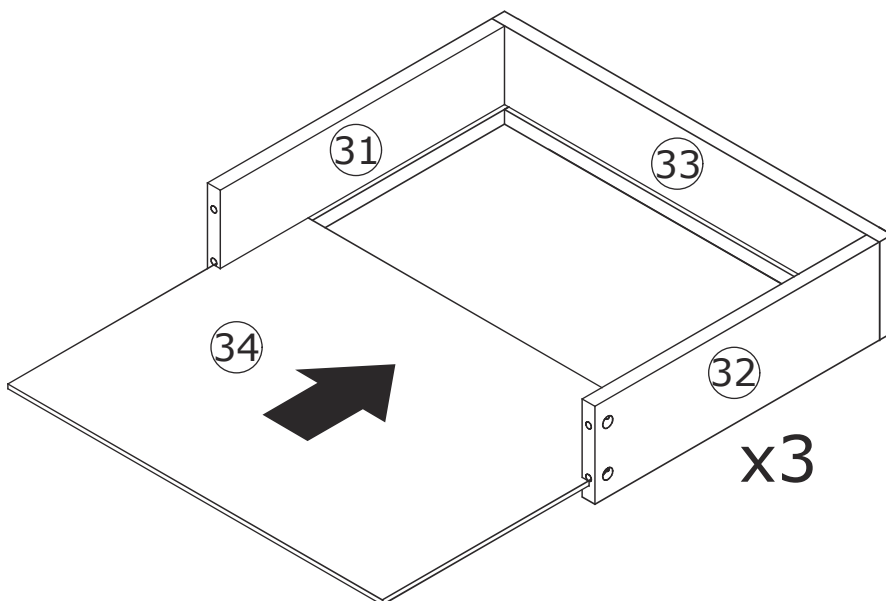
45

N x 12
Ø 4 x 30 mm

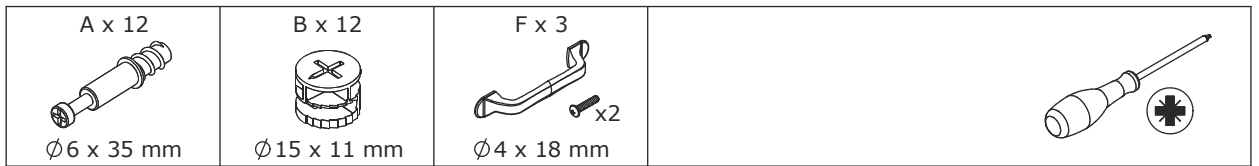


46

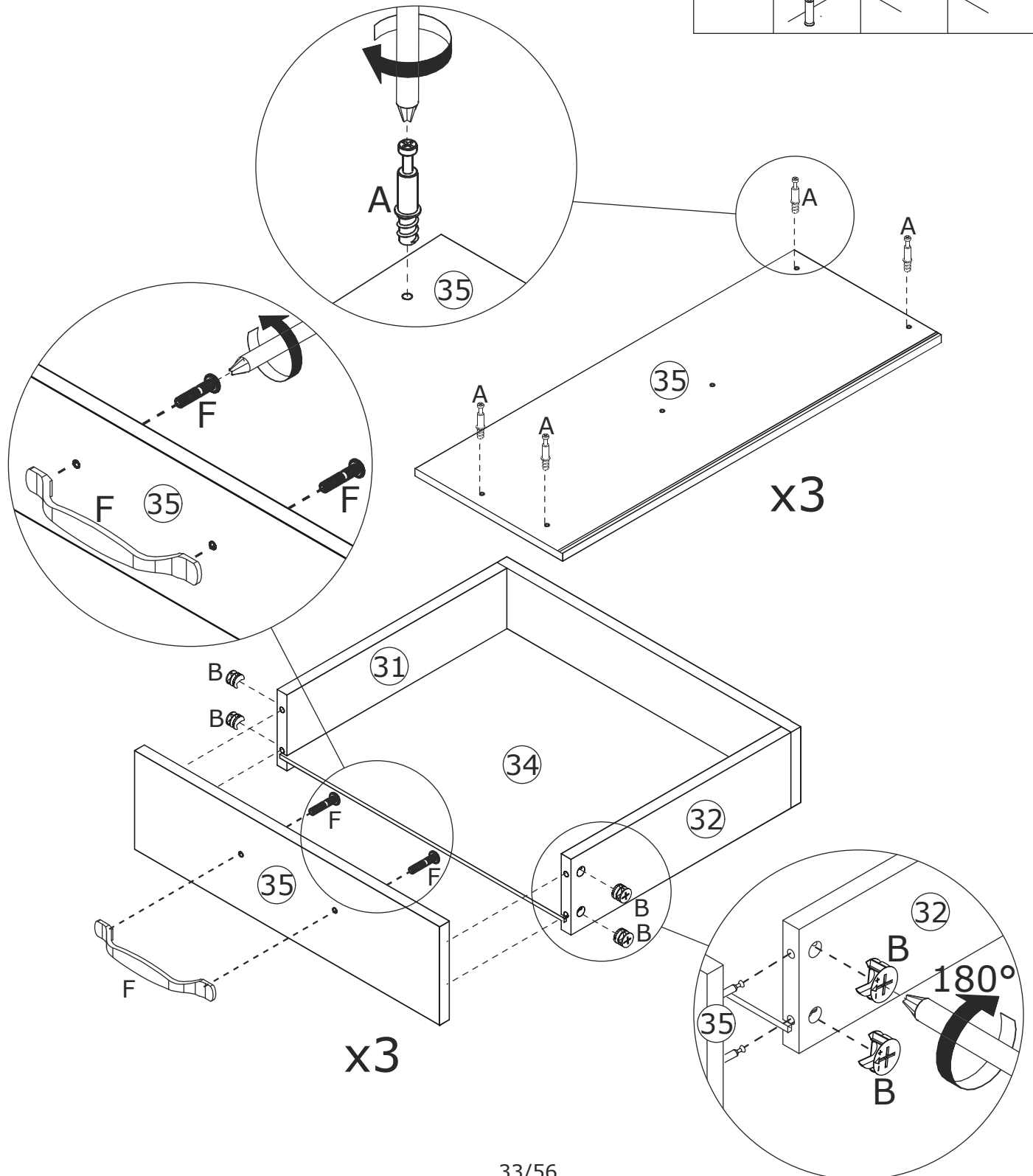
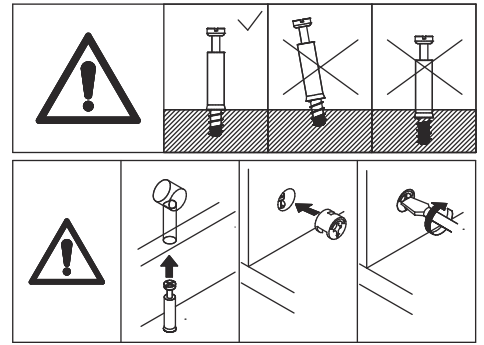
Insert bottom board 34 along available grooves as shown.



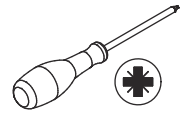
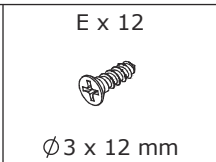
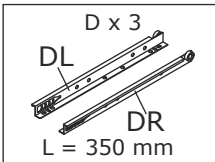
47



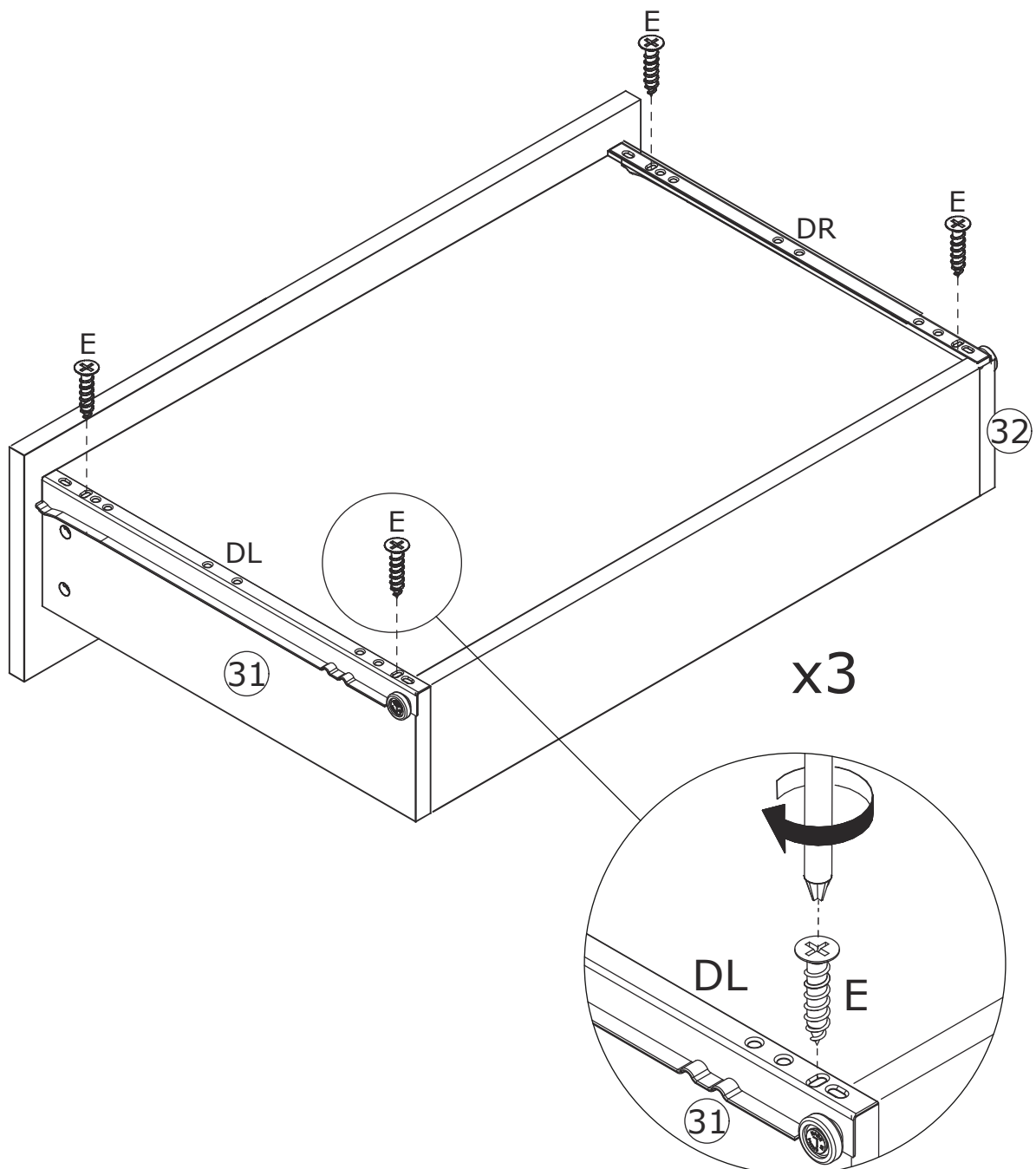
Screw eccentric rod(A) into board 35 at first. Attach board 35 to board 31 and 32, add cam lock(B) and turn clockwise to tighten as shown. Fix handle(F) to board 35 as shown.



48

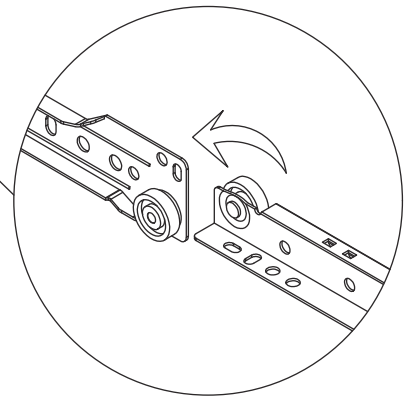
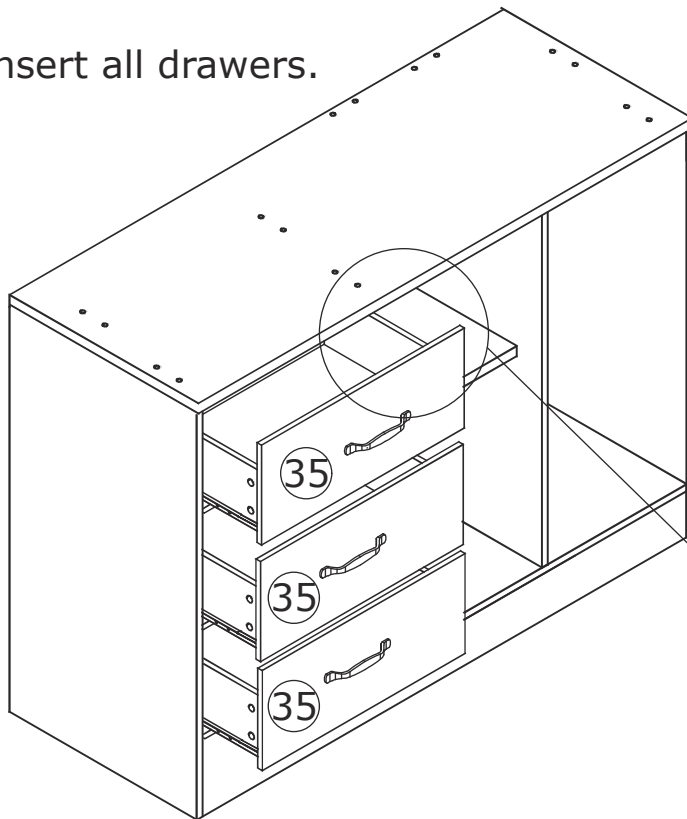


Fix runner(D-DL) and (D-DR) to board 32 and 31 with screw(E) as shown.

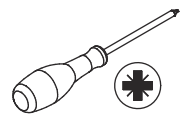
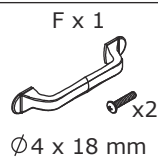
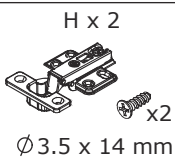


49

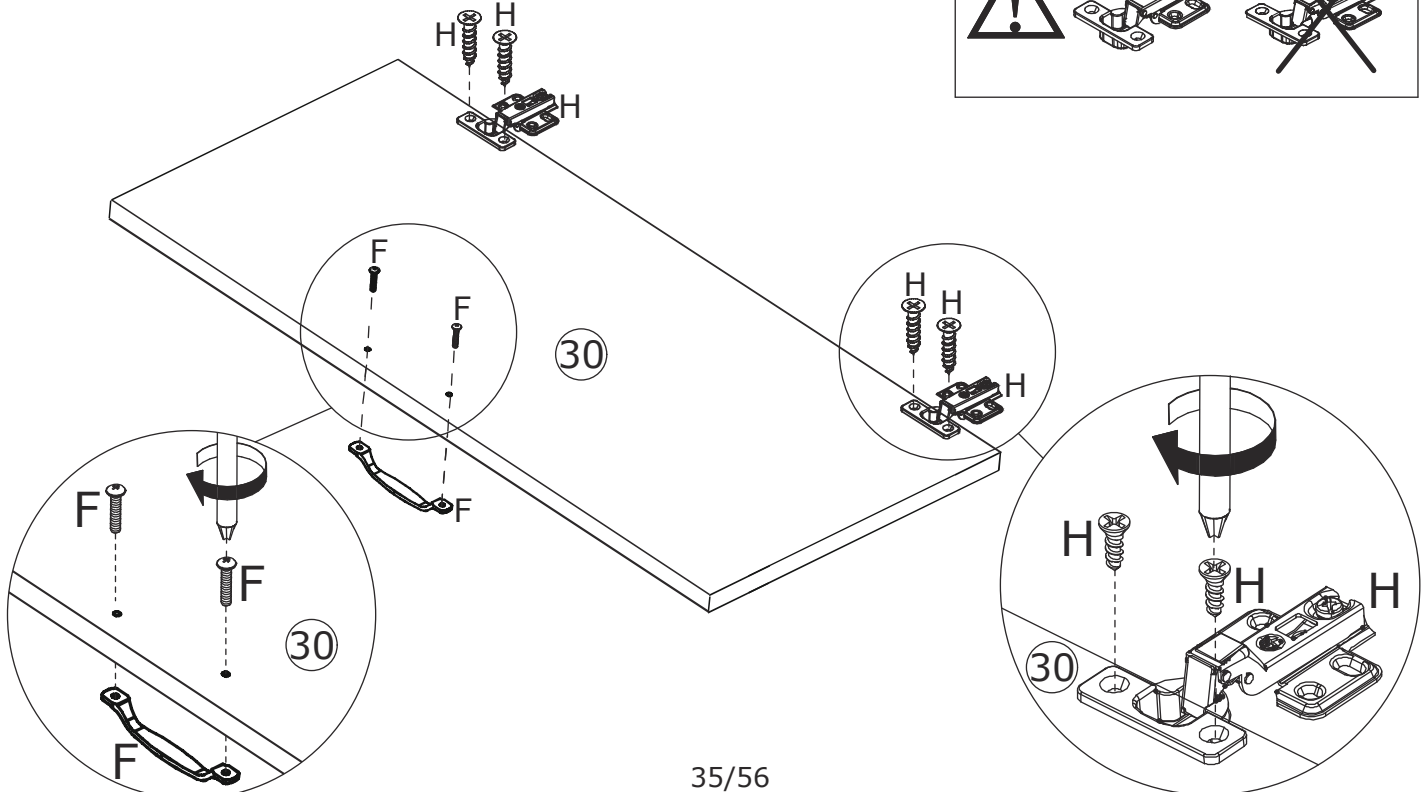
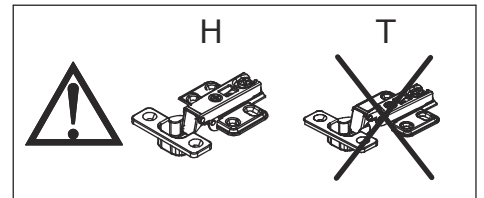
Align rails, insert all drawers.



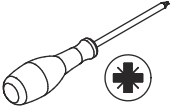
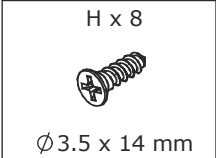
50



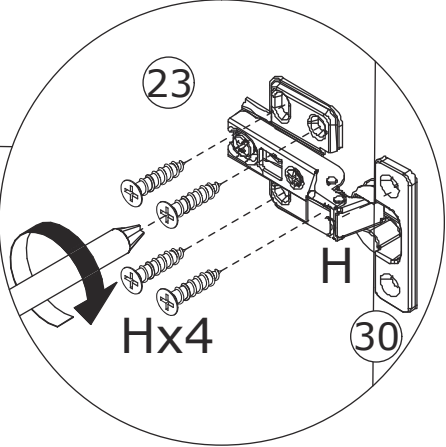
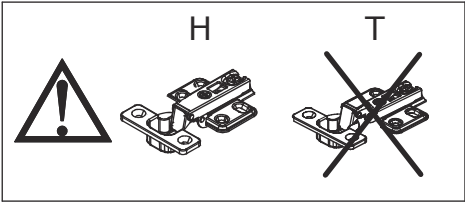
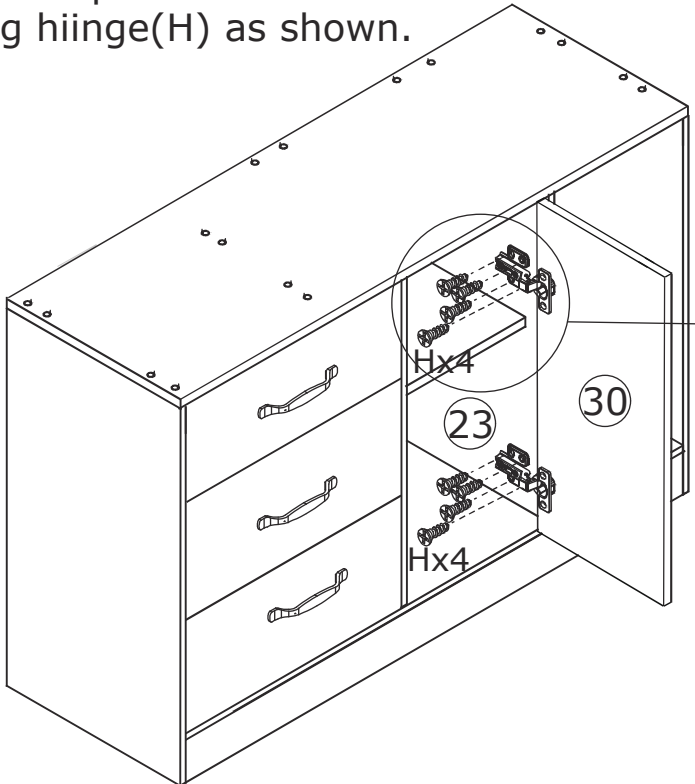
Fix hinge(H) to board 30 as shown.
Fix handle(F) to board 30 as shown.



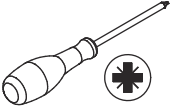
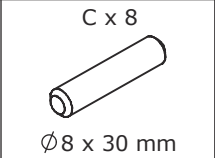
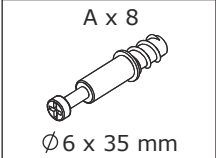
51



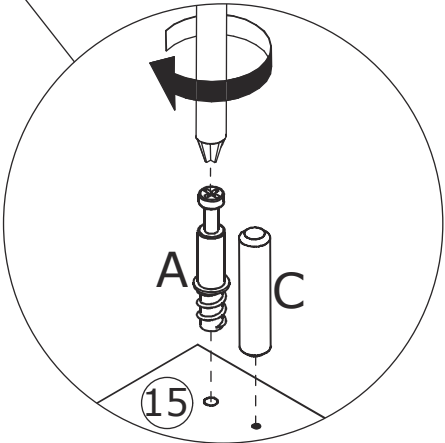
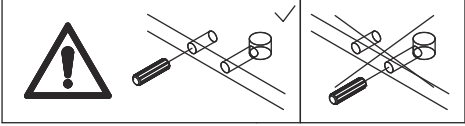
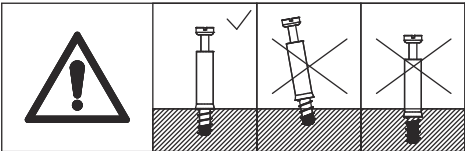
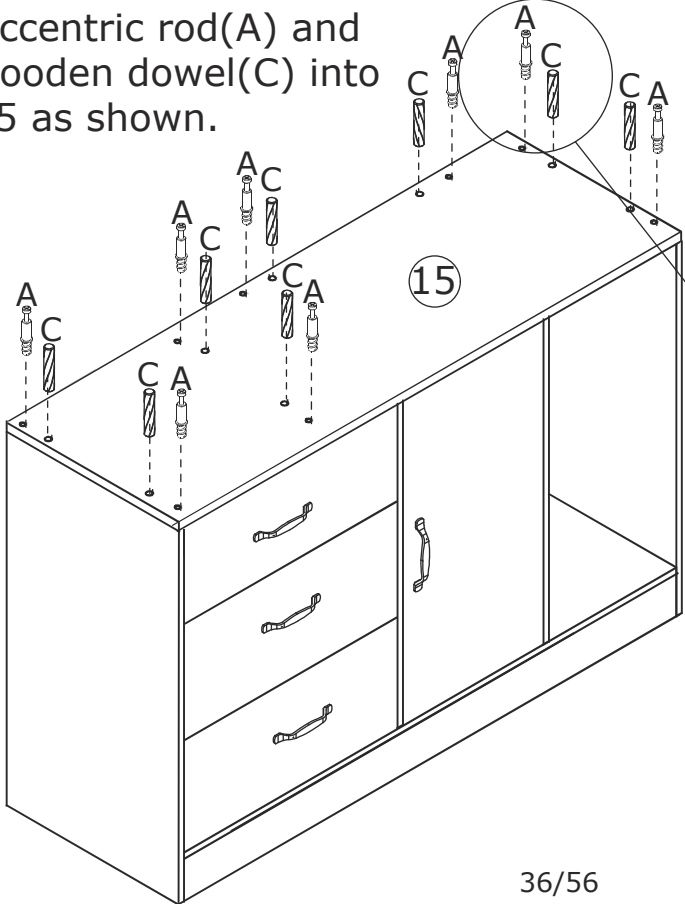
Assemble door panel 30 to board 23 by fixing hiinge(H) as shown.



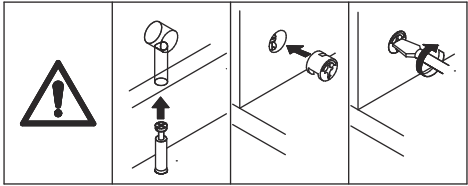
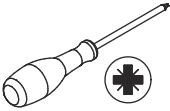
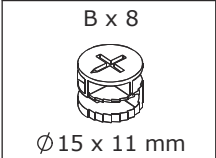
52



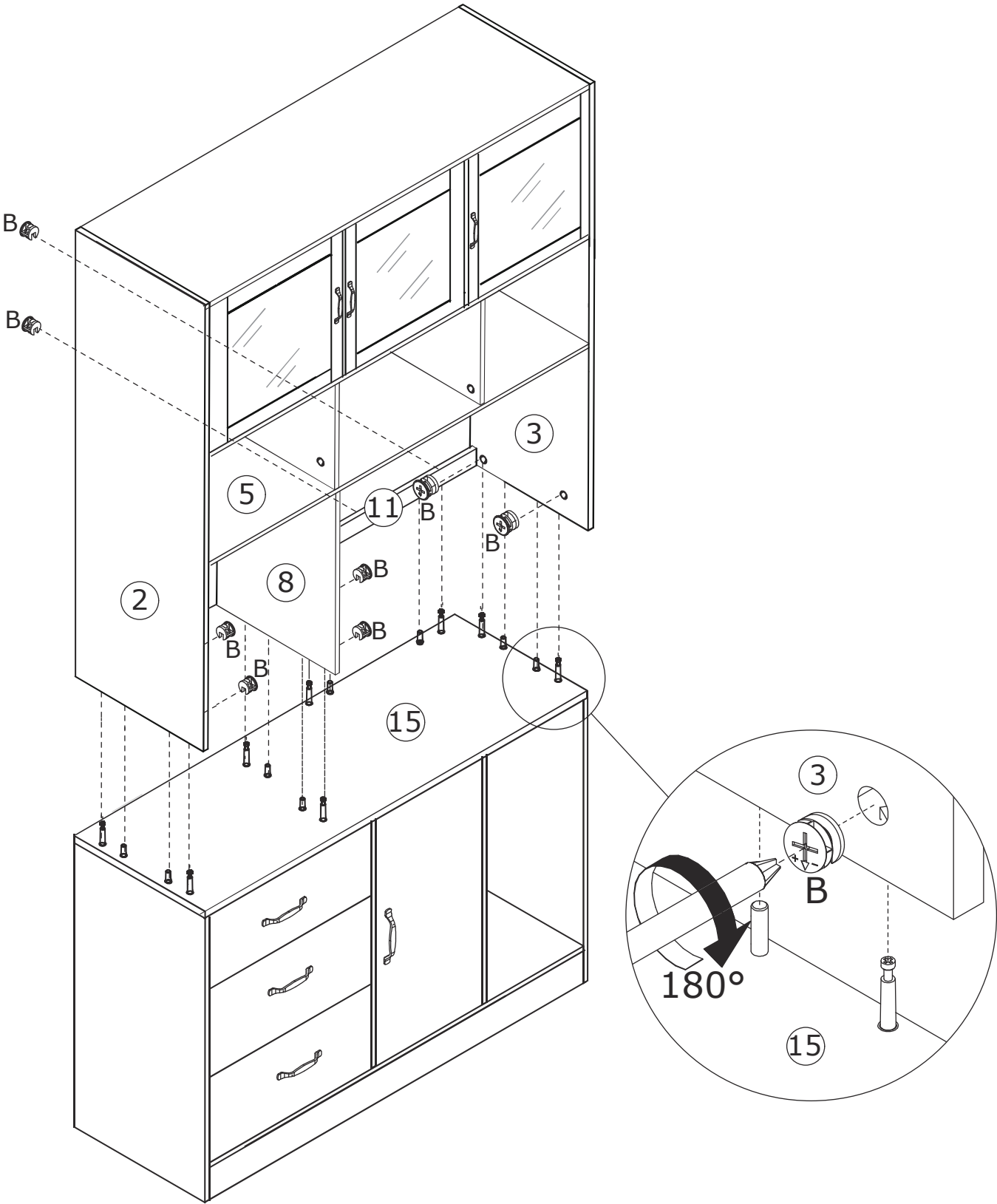
Screw eccentric rod(A) and insert wooden dowel(C) into board 15 as shown.



53



Connect two assembled components, add cam lock(B) and turn clockwise to tighten as shown.

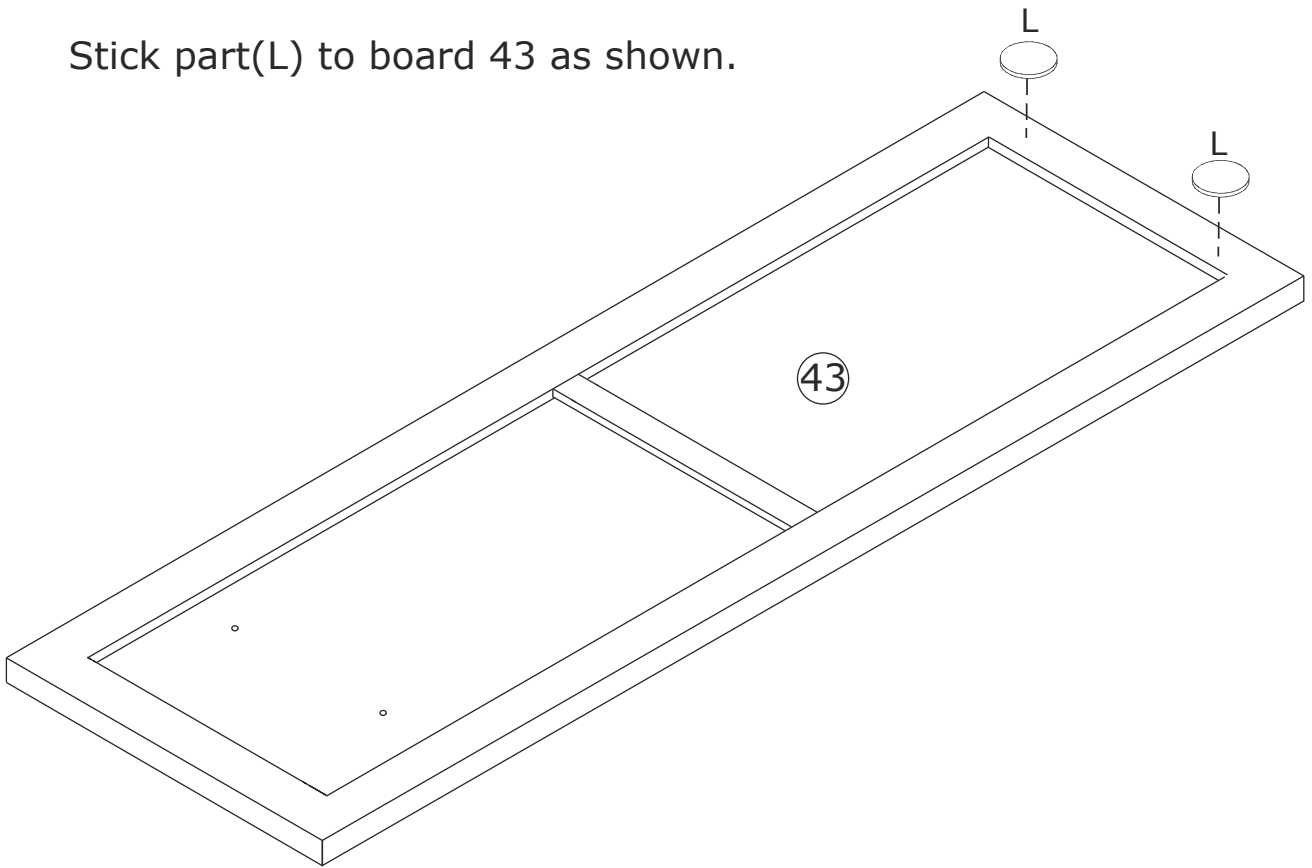


54

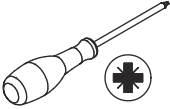
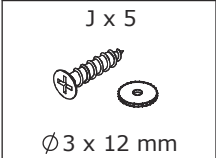
L x 2



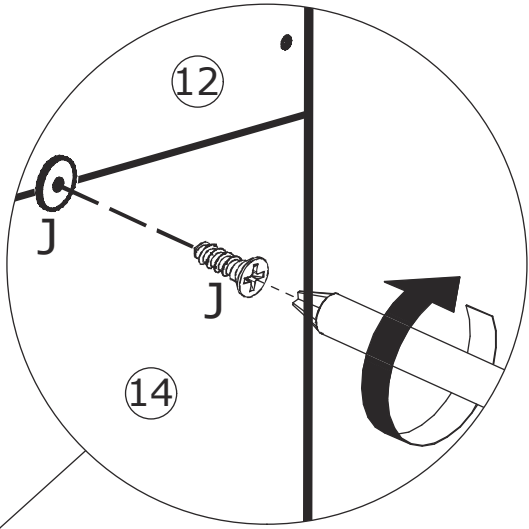
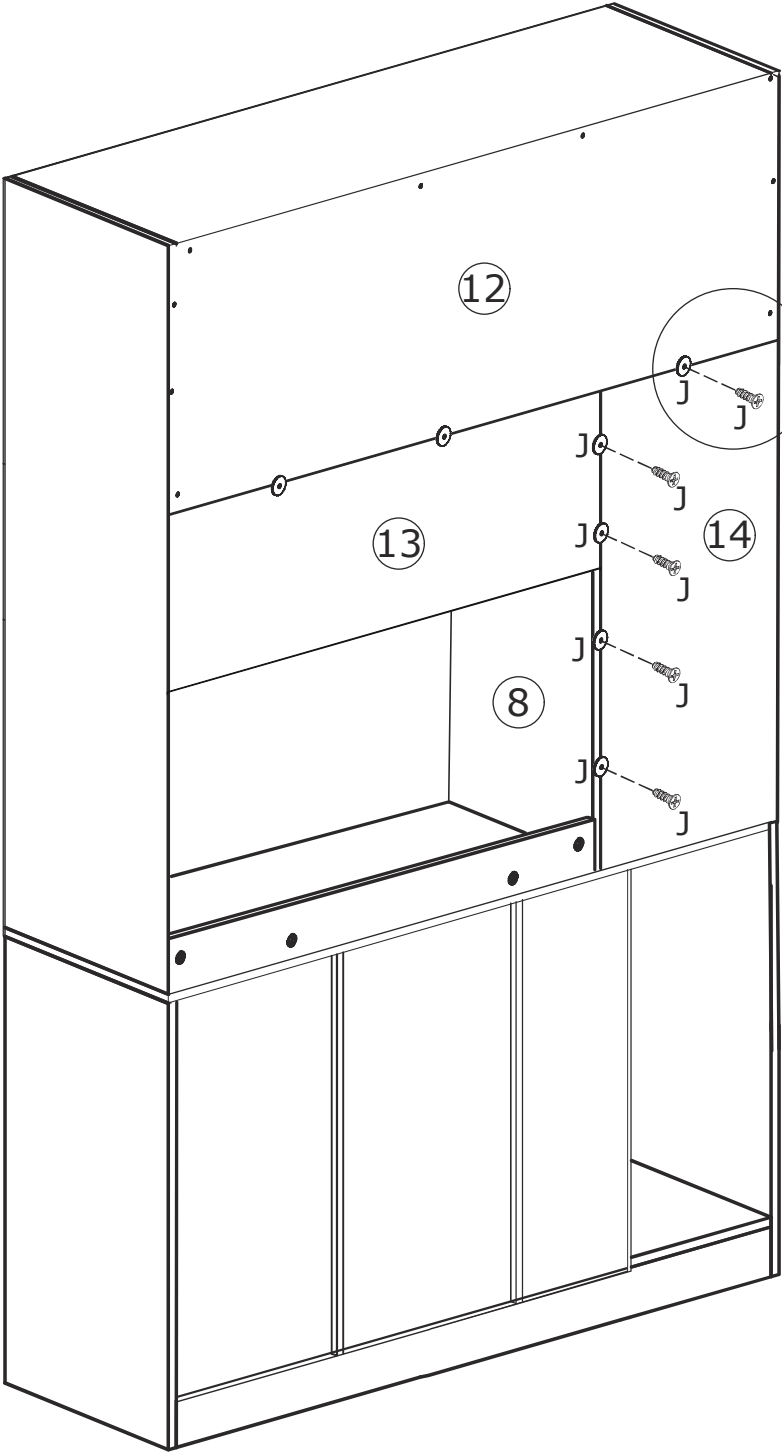
Stick part(L) to board 43 as shown.



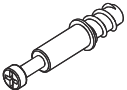
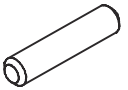


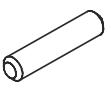
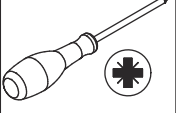
56



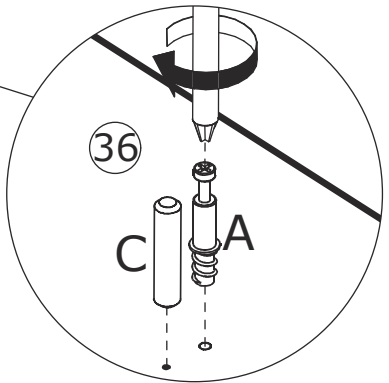
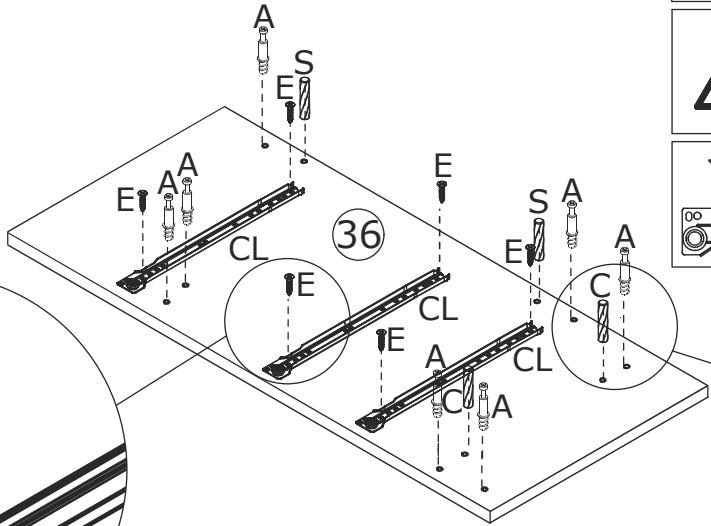
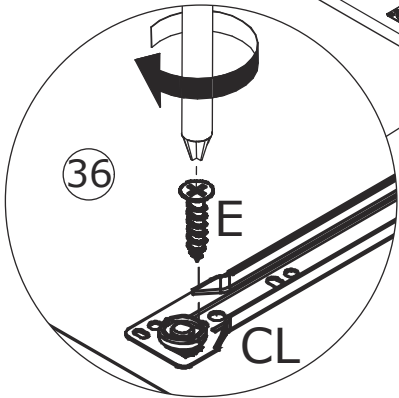
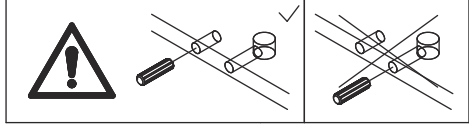
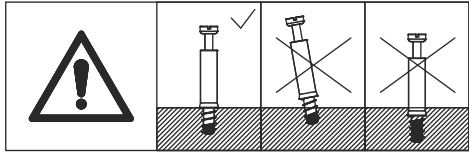
Use part(J) to fix back board 12,
13 and 14 to board 8 as shown.



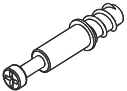
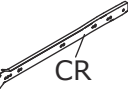

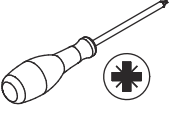
57

| | | | | | |
|--|--|--|---|--|---|
| A x 7  Ø6 x 35 mm | C x 2  Ø8 x 30 mm | D x 3  L = 350 mm | E x 6  Ø3 x 12 mm | S x 2  Ø6 x 30 mm |  |
|--|--|--|---|--|---|

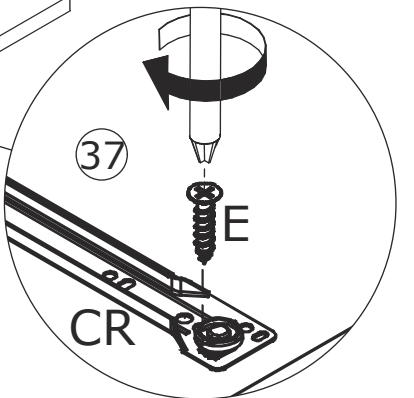
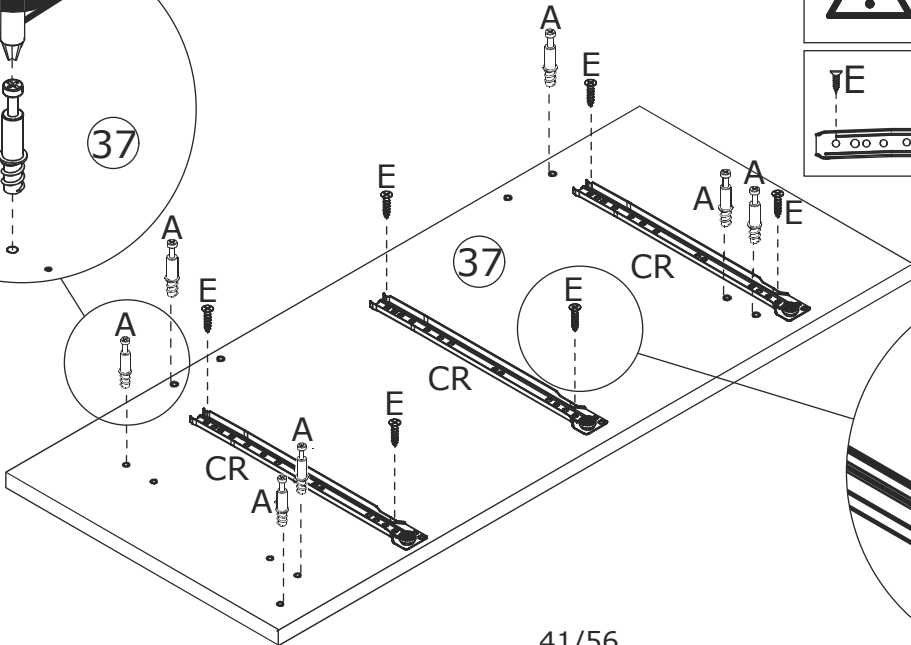
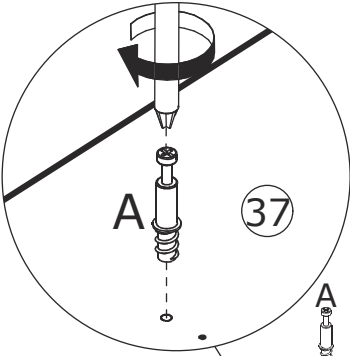
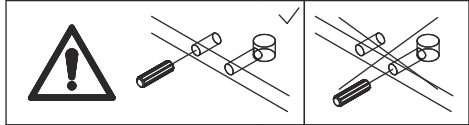
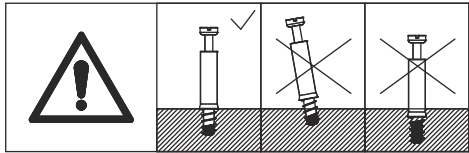
Screw eccentric rod(A) and insert wooden dowel(C) into board 36 as shown. Fix rail(D-CL) to board 36 with screw(E) as shown.



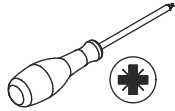
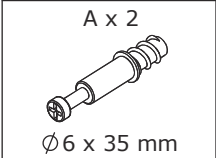
58

| | | | |
|--|--|--|---|
| A x 7  Ø6 x 35 mm | D x 3  L = 350 mm | E x 6  Ø3 x 12 mm |  |
|--|--|--|---|

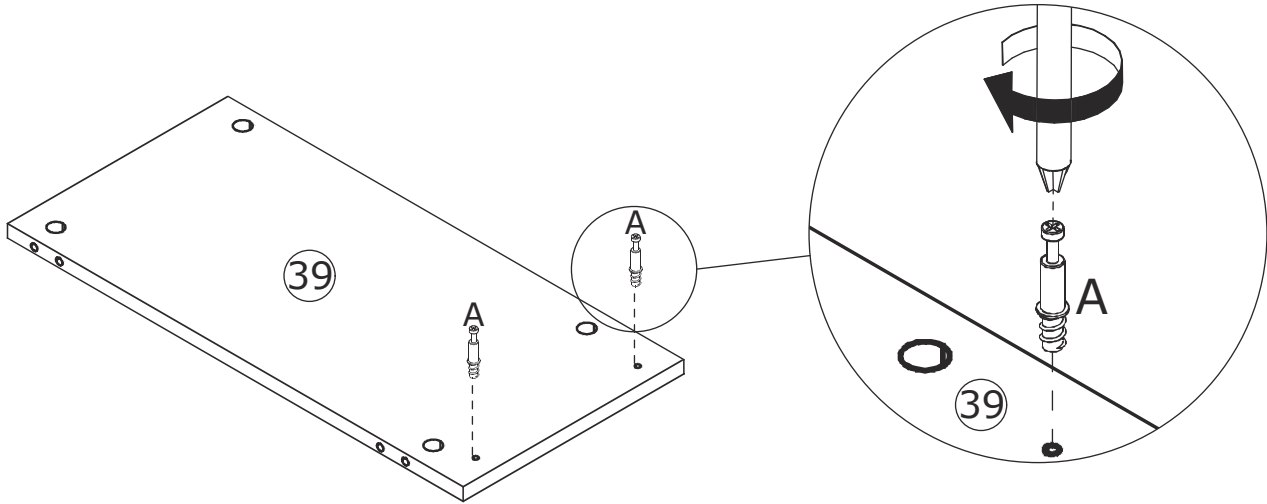
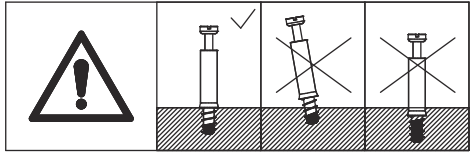
Screw eccentric rod(A) and insert wooden dowel(C) into board 37 as shown. Fix rail(D-CR) to board 37 with screw(E) as shown.



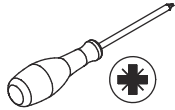
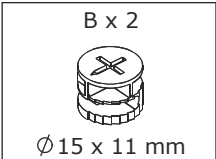
59



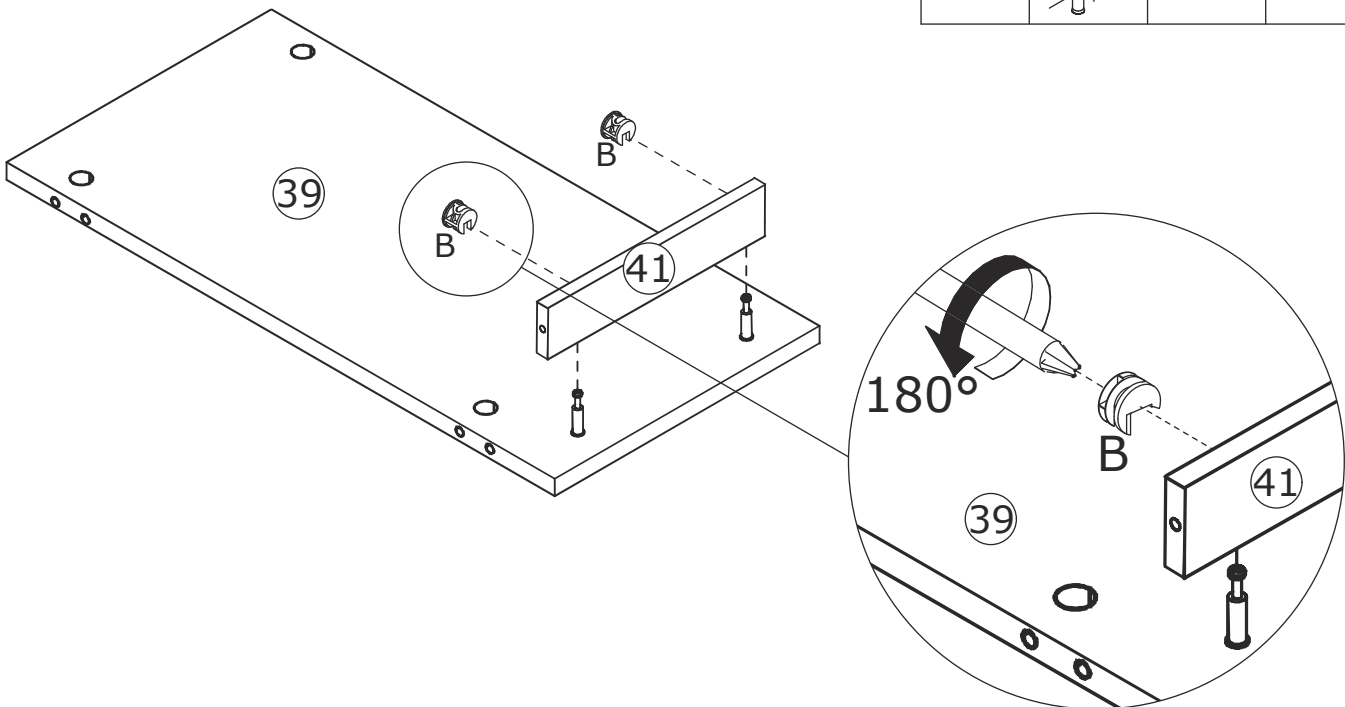
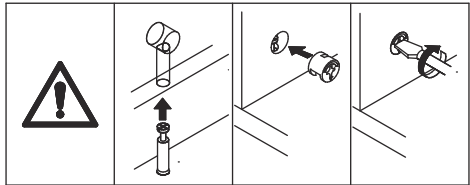
Screw eccentric rod(A) into board 39 as shown.



60



Attach board 41 to board 39, add cam lock(B) into board 41 and turn clockwise to tighten as shown.



61

B x 2

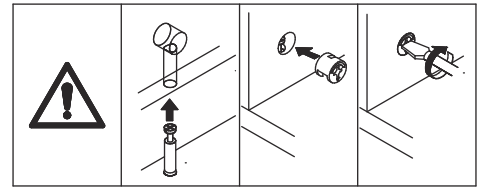
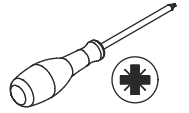


Ø 15 x 11 mm

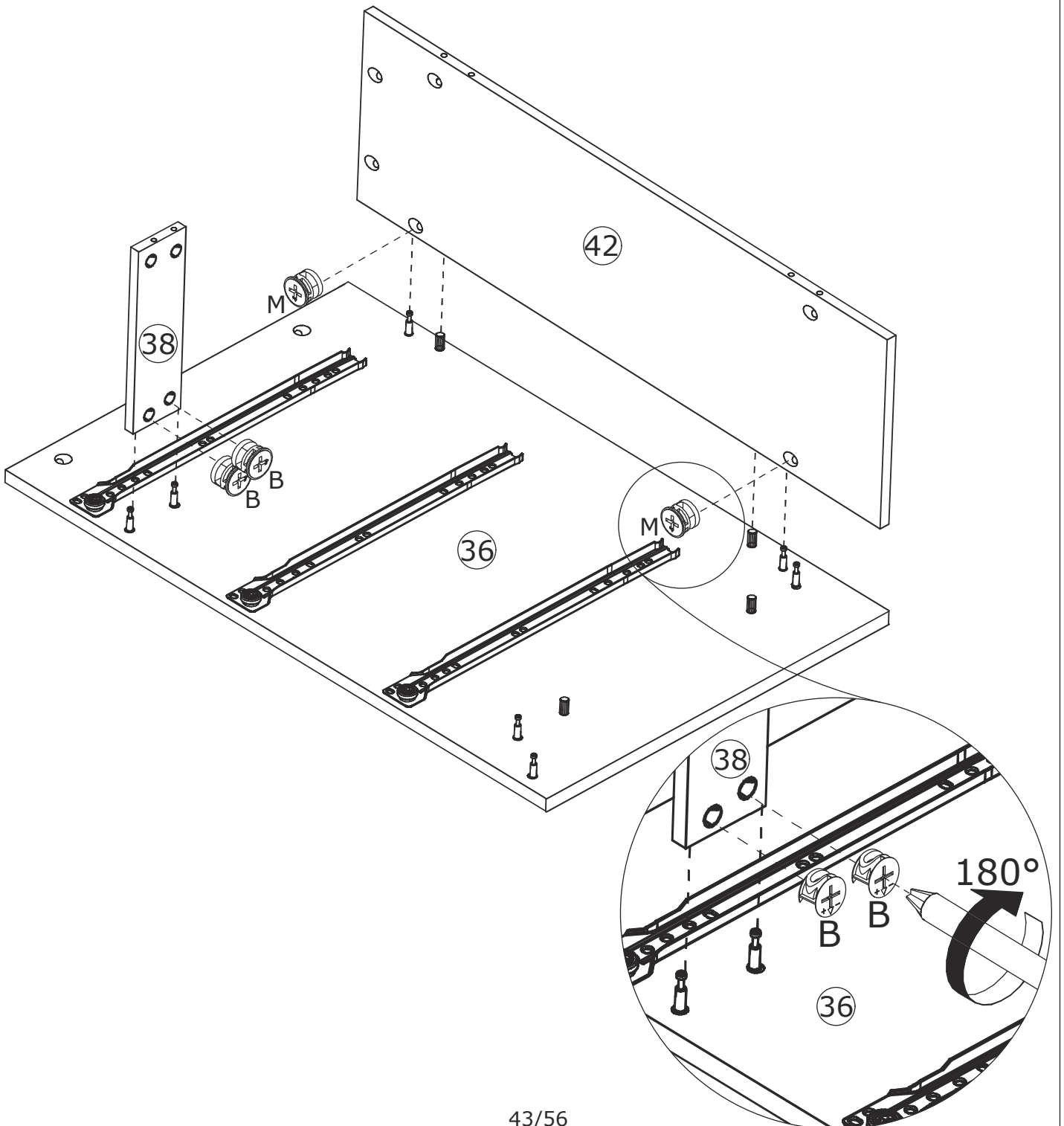
M x 2



Ø 15 x 9.5 mm



Attach board 42 to board 36, add cam lock(M) into board 42 and turn clockwise to tighten as shown. Attach board 38 to board 36, add cam lock(B) into board 38 and turn clockwise to tighten as shown.

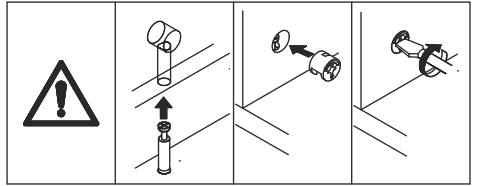
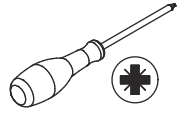


62

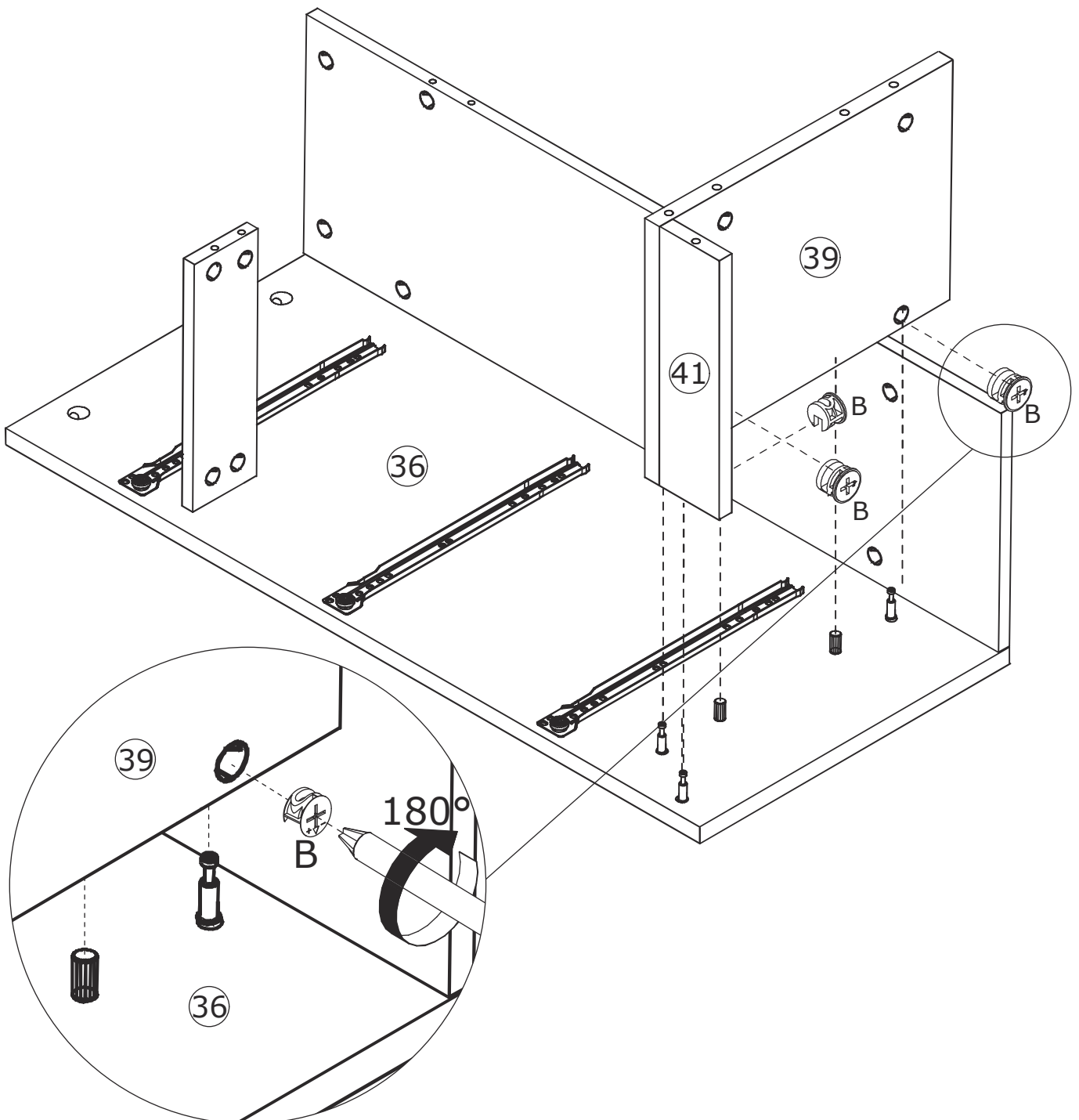
B x 3



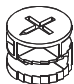
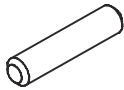

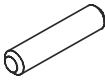
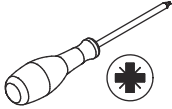
Ø 15 x 11 mm



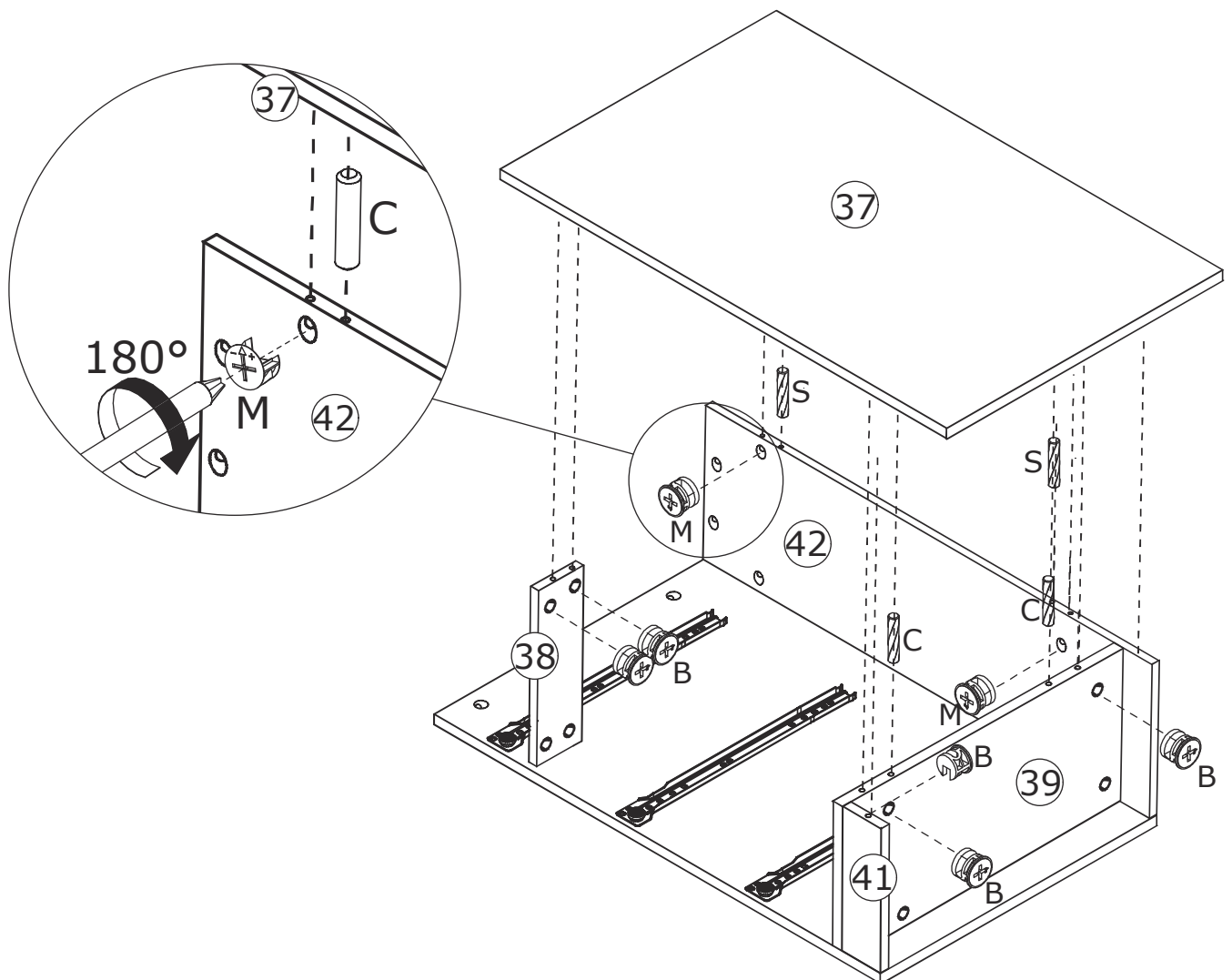
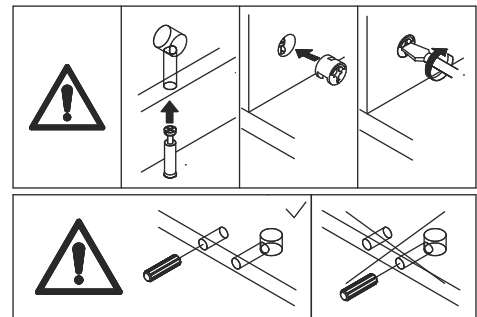
Attach board 39 and 41 to board 36, add cam lock(B) into board 39,41 and turn clockwise to tighten as shown.



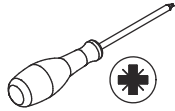
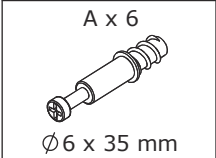
63

| | | | | |
|---|--|--|---|---|
| <p>B x 5  $\varnothing 15 \times 11 \text{ mm}$</p> | <p>C x 2  $\varnothing 8 \times 30 \text{ mm}$</p> | <p>M x 2  $\varnothing 15 \times 9.5 \text{ mm}$</p> | <p>S x 2  $\varnothing 6 \times 30 \text{ mm}$</p> |  |
|---|--|--|---|---|

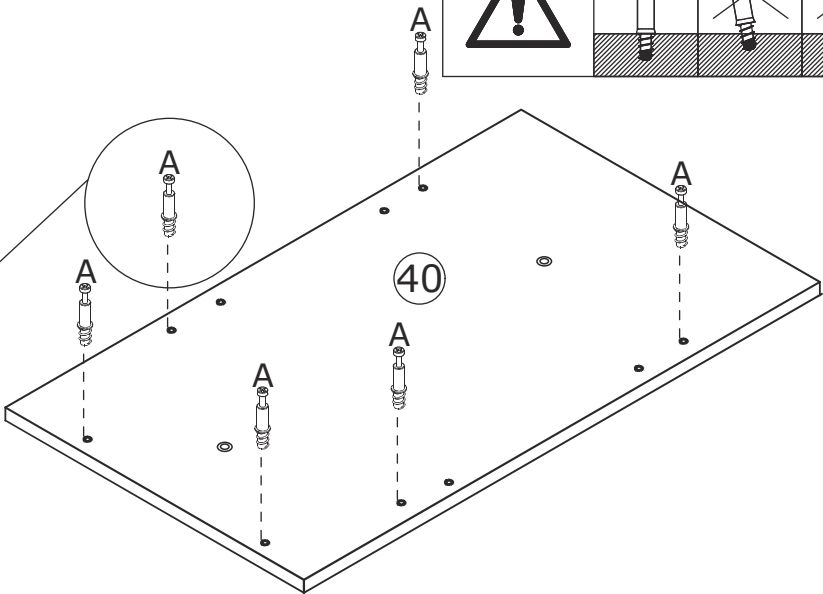
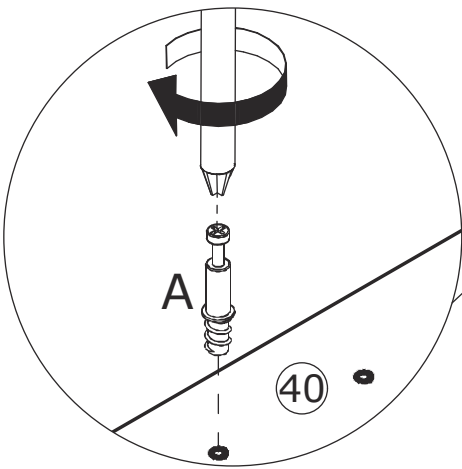
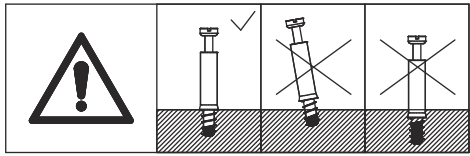
Insert wooden dowel(C) into board 39;
 wooden dowel(S) into board 42 at first.
 Attach board 37 to board 42, add
 cam lock(M) into board 42 and turn clockwise
 to tighten as shown.
 Attach board 37 to board 38, 39 and 41,
 add cam lock(B) into board 38,39,41 and
 turn clockwise to tighten as shown.



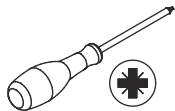
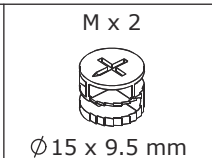
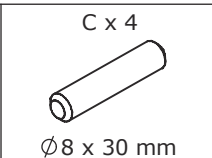
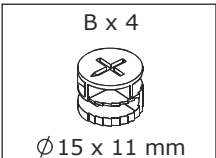
64



Screw eccentric rod(A) into board 40 as shown.

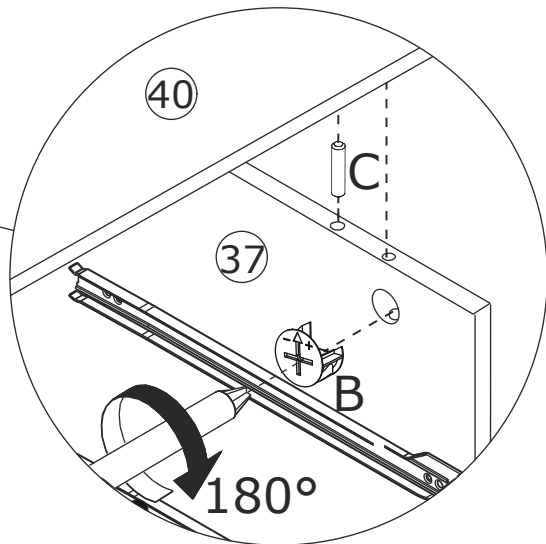
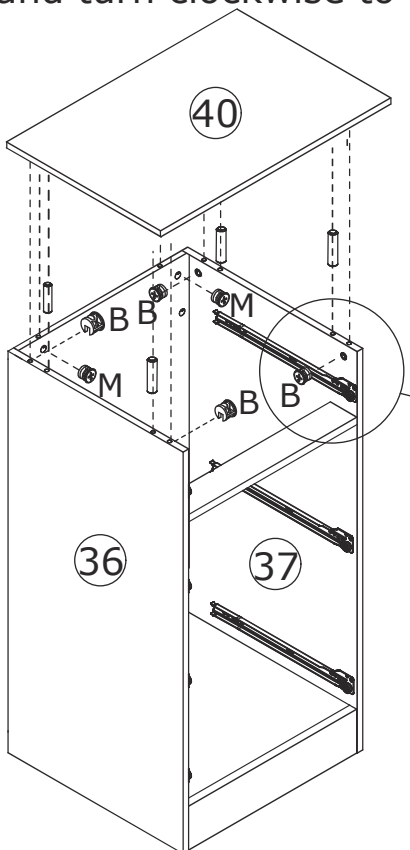
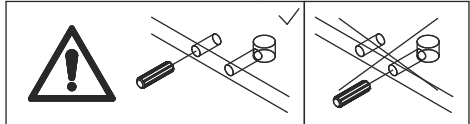
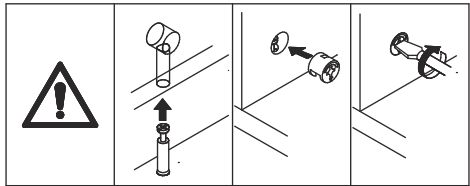


65

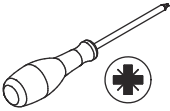


Insert wooden dowel(C) into board 36 and 37 at first.

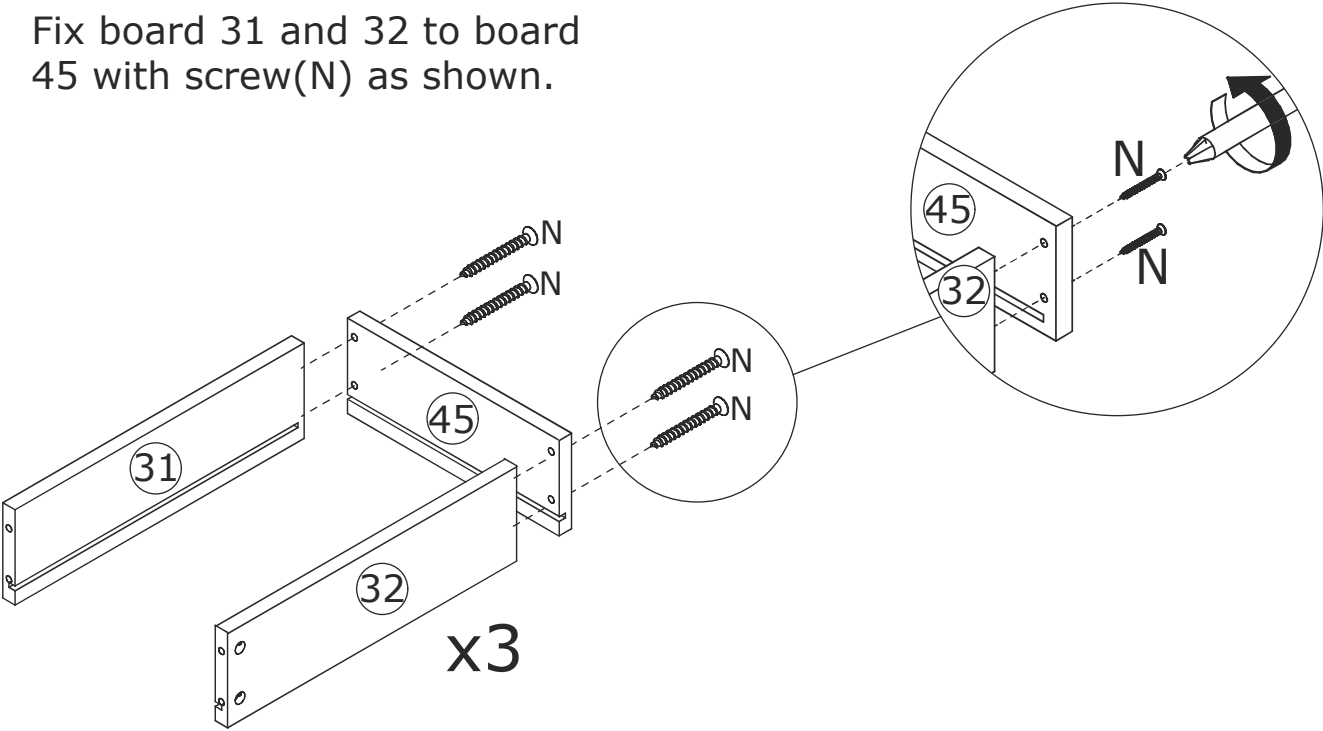
Attach board 40 to board 36, 42 and 37, add cam lock(B) into board 36,37; cam lock(M) into board 42 and turn clockwise to tighten as shown.



66



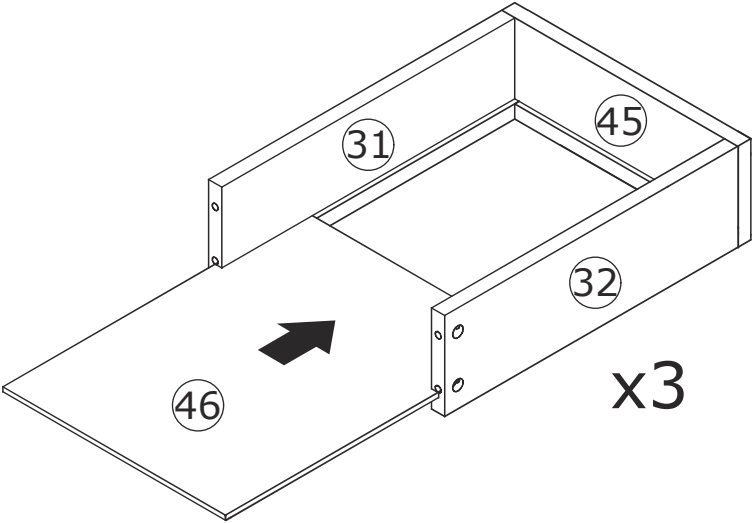
Fix board 31 and 32 to board 45 with screw(N) as shown.



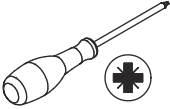
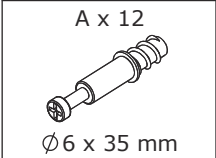
67



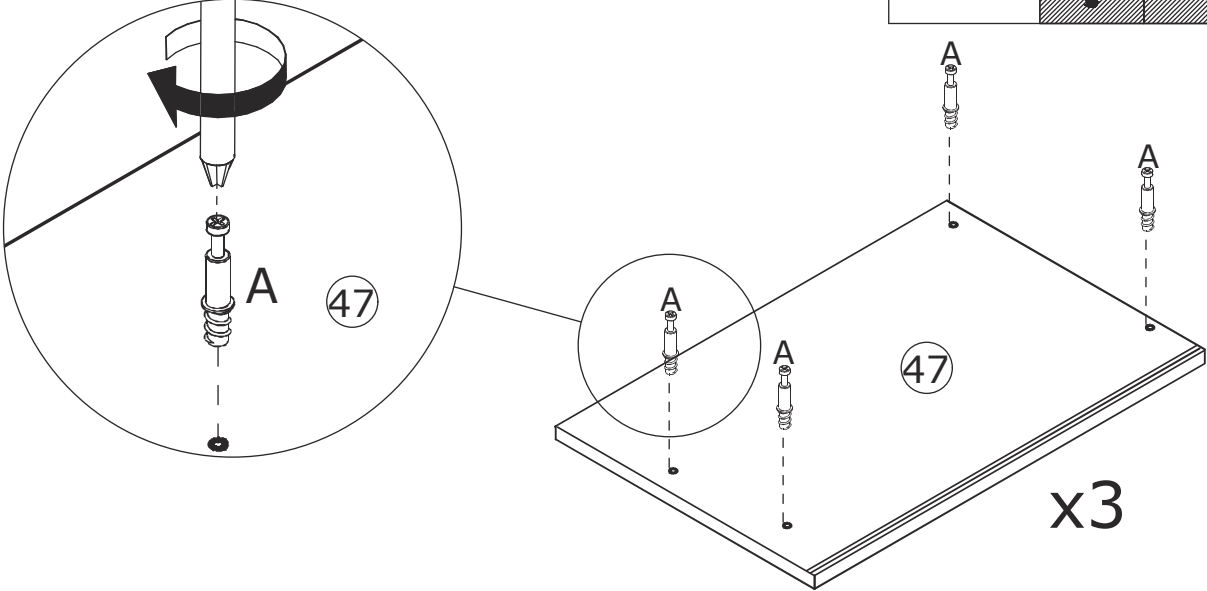
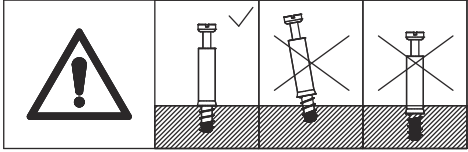
Insert bottom board 46 along available grooves as shown.



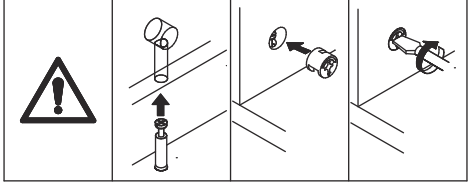
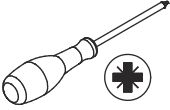
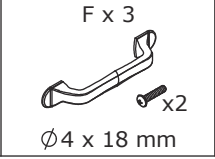
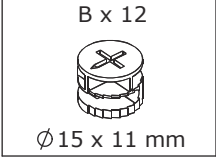
68



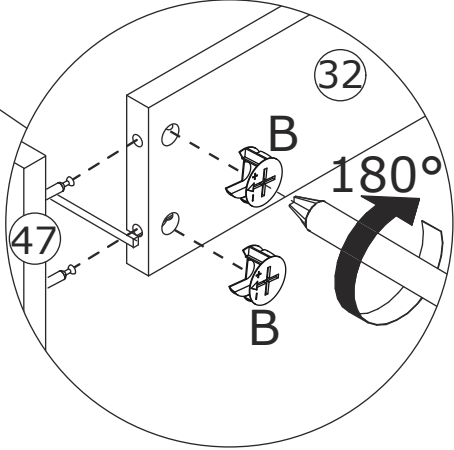
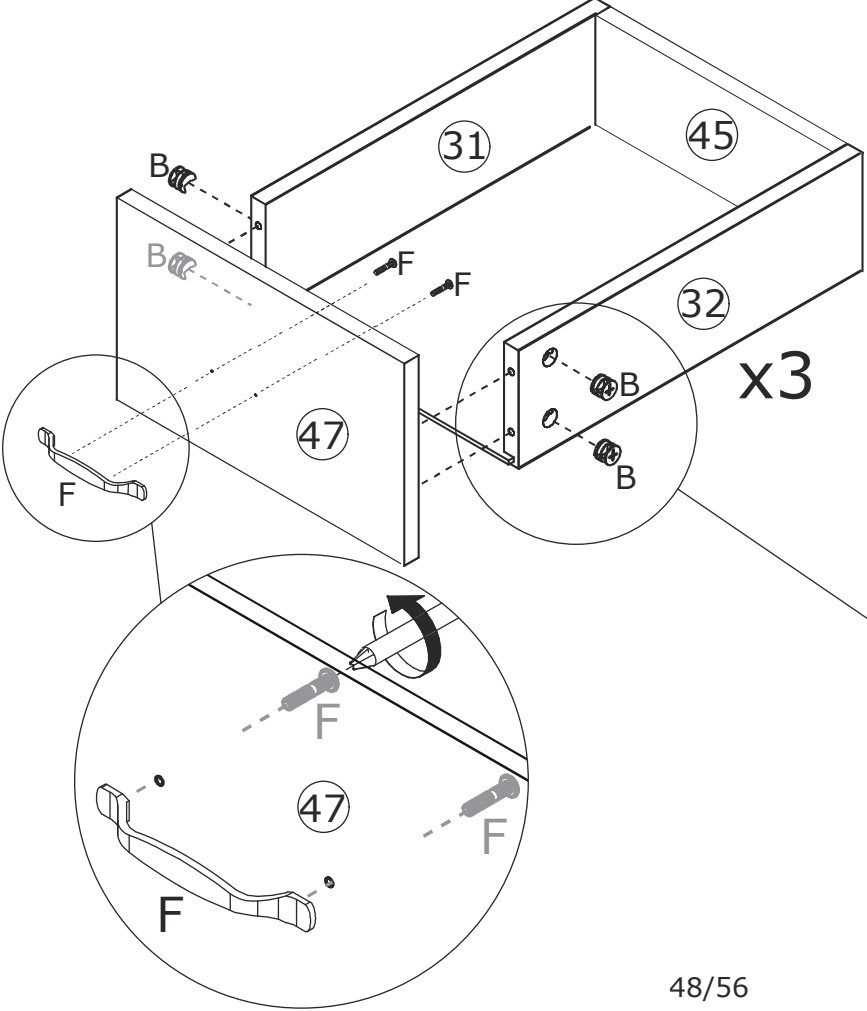
Screw eccentric rod(A) into board 47 as shown.



69

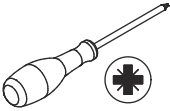


Attach board 47 to board 31 and 32, add cam lock(B) and turn clockwise to tighten as shown. Fix handle(F) to board 47 as shown.

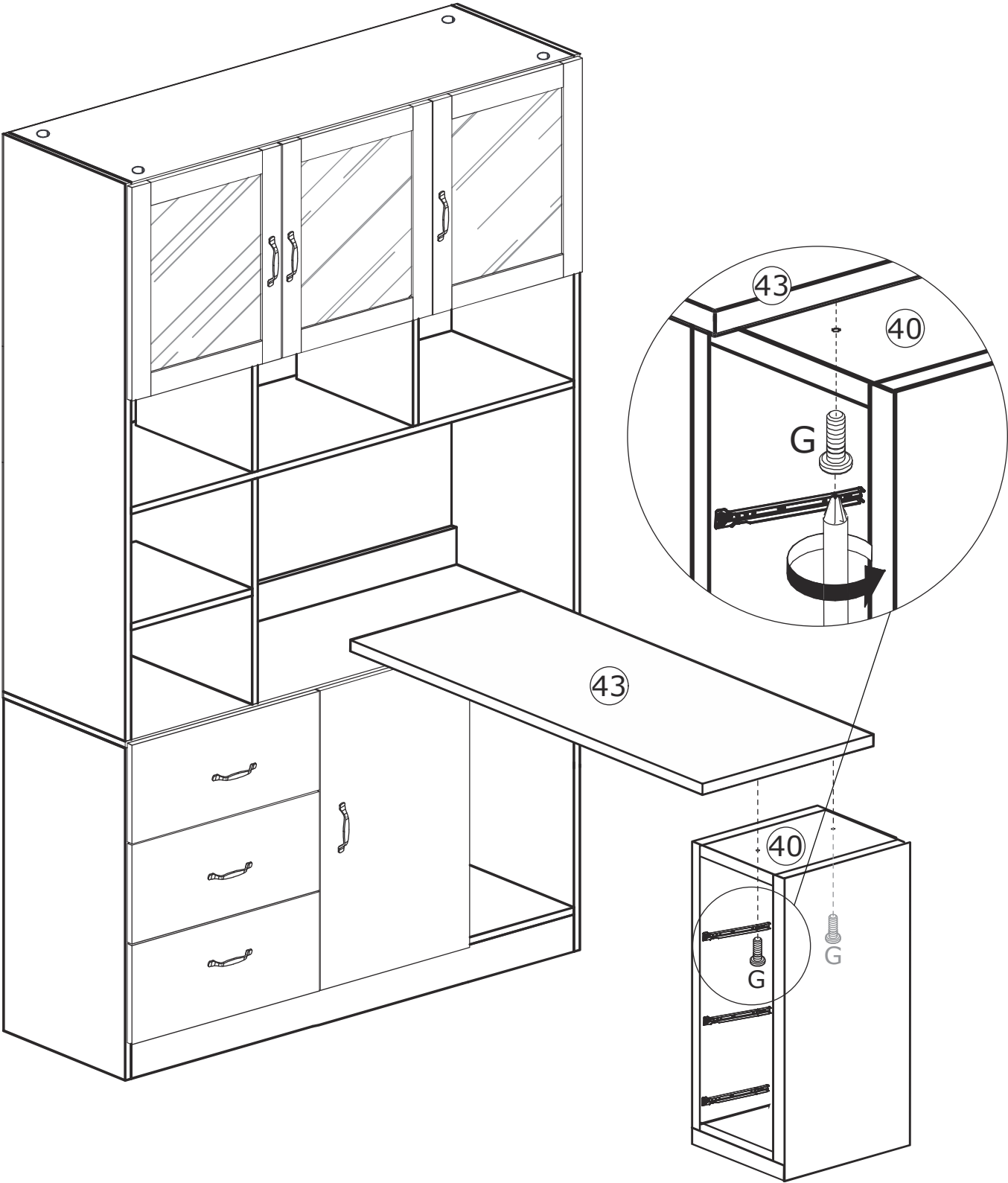


71

G x 2
Ø6 x 20 mm

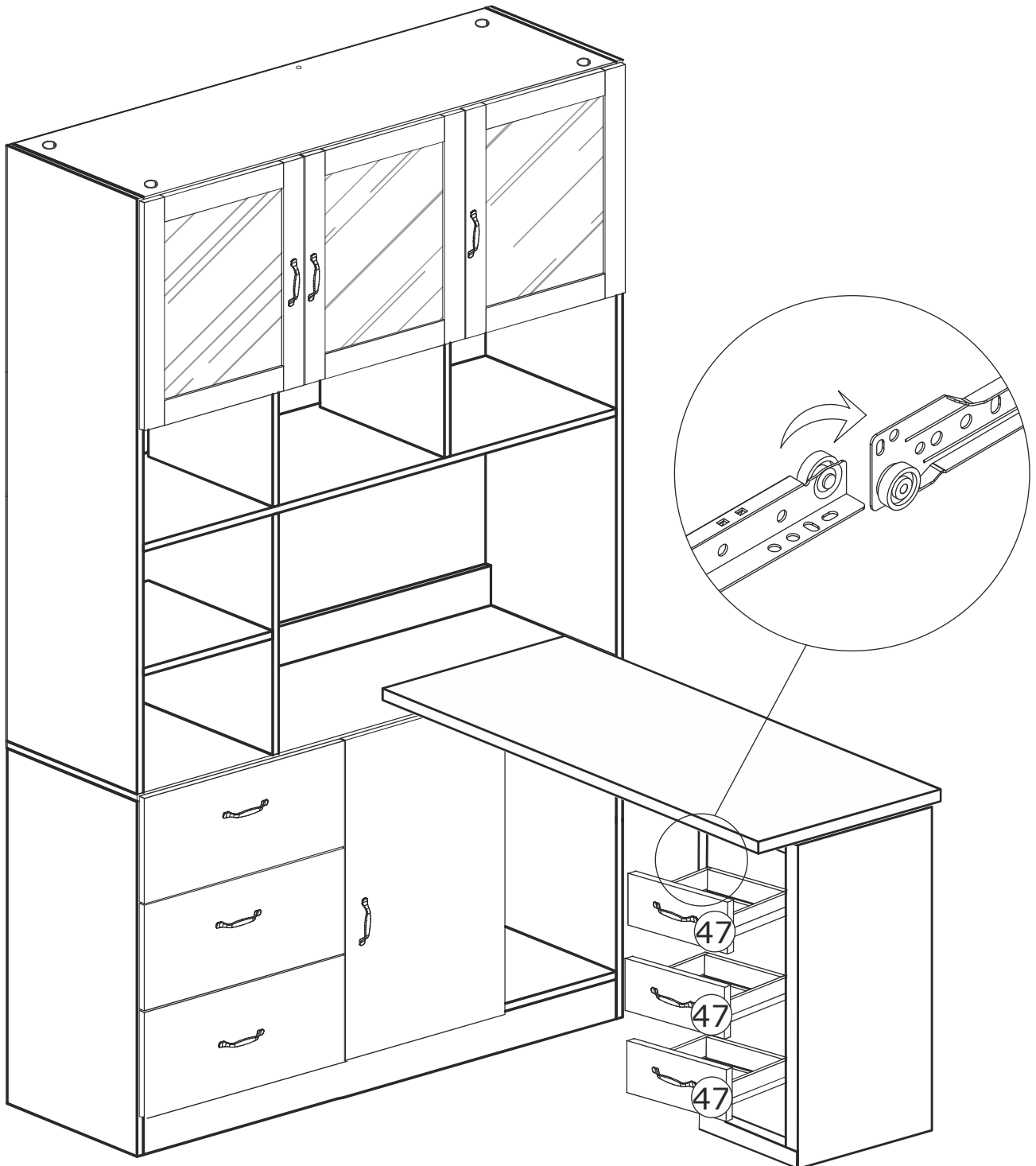


Fix board 43 to board 40 with screw(G) as shown.



72

Align rails, insert all drawers.



73

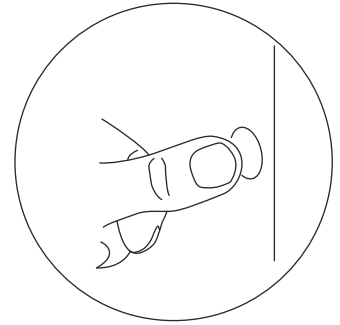
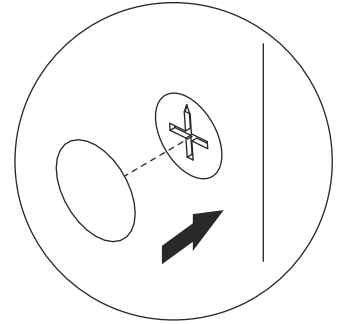
K x 124



L x 8

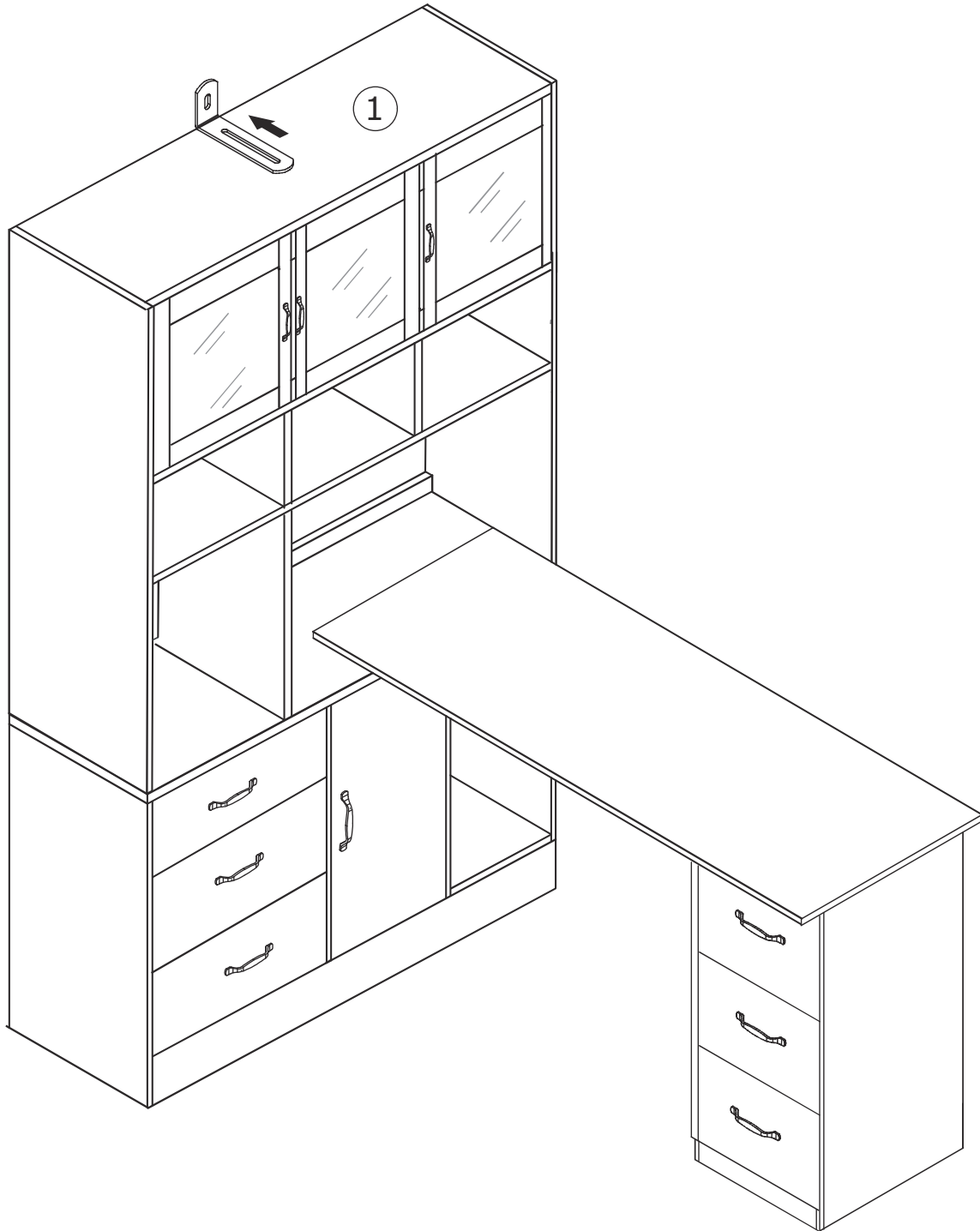


Use sticker(K) to cover cam lock holes.

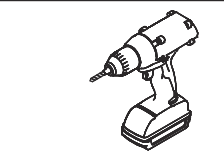
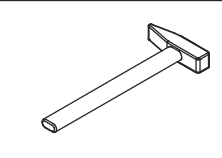
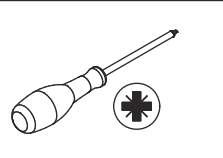
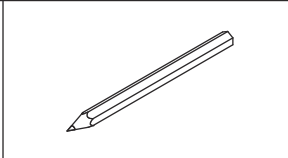
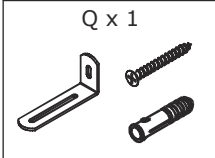


74

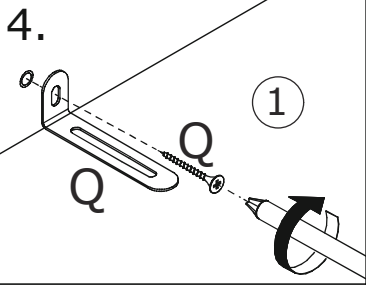
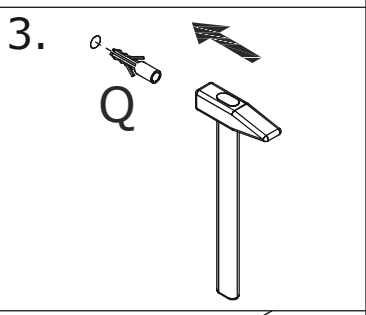
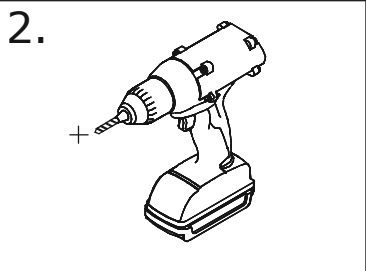
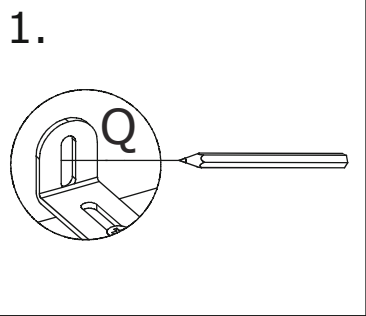
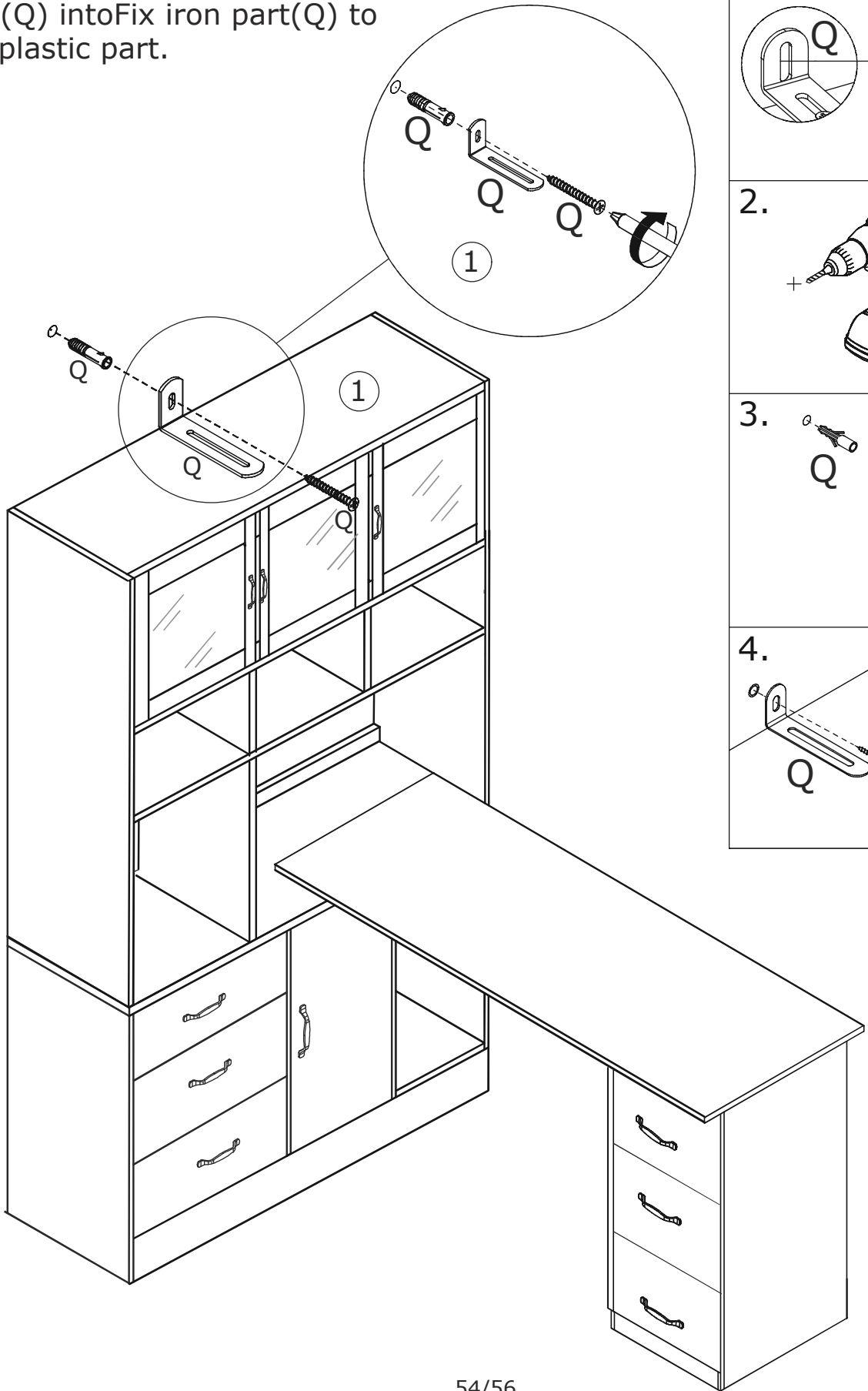
Q x 1



75



Drill holes on wall, knock plastic part(Q) into Fix iron part(Q) to the plastic part.

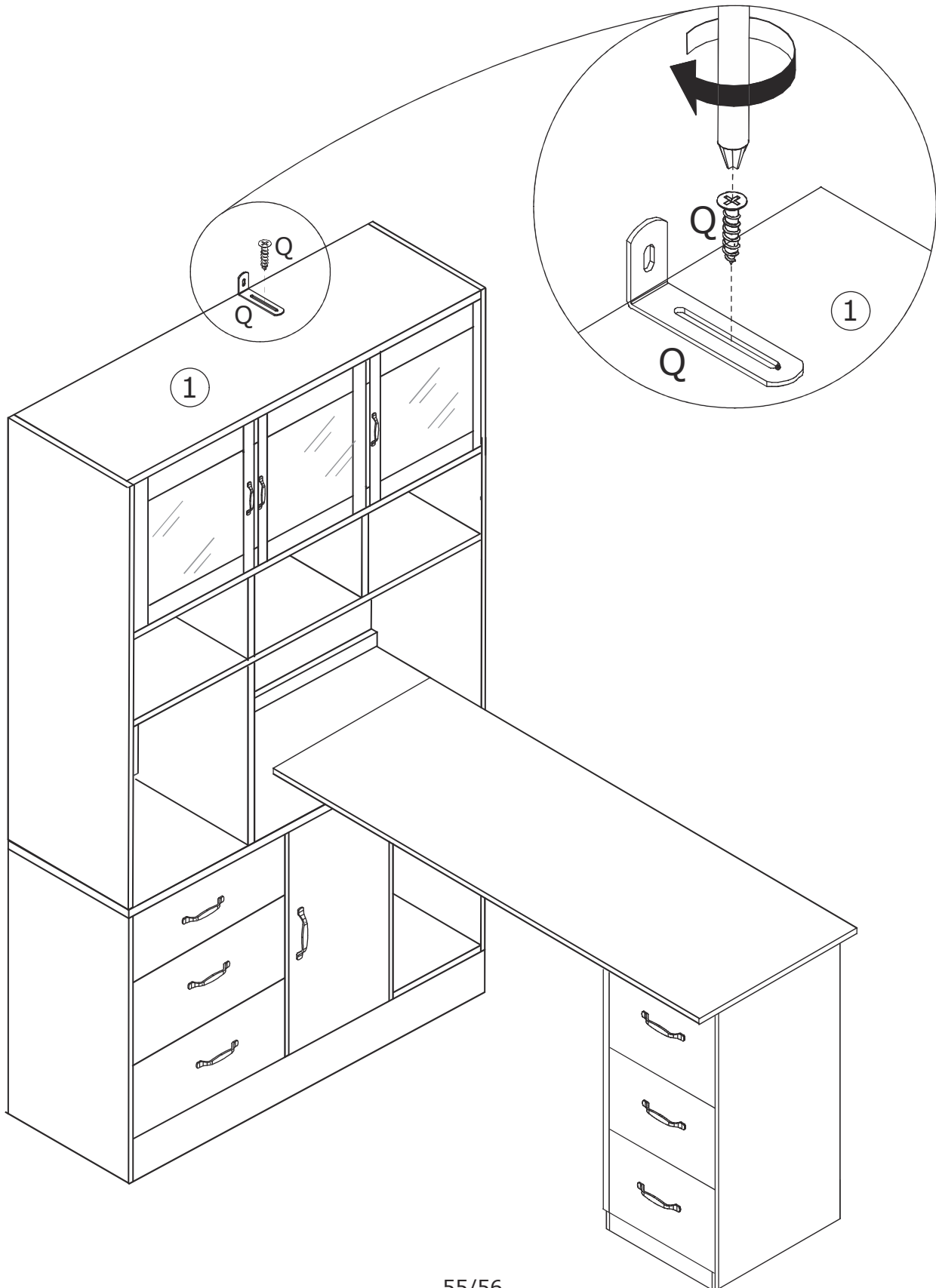
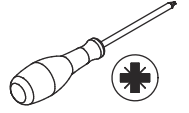


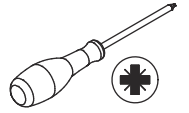
76

Q x 1



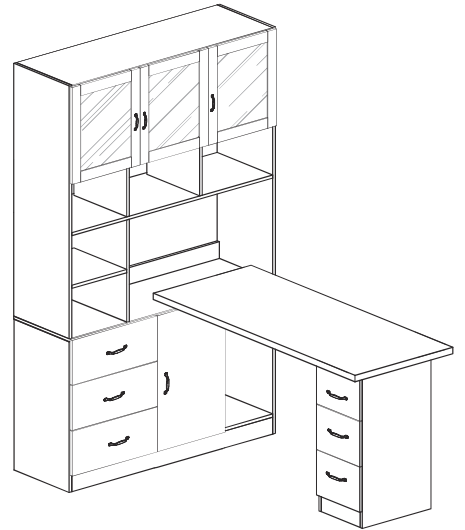
Ø3.5 x 14 mm



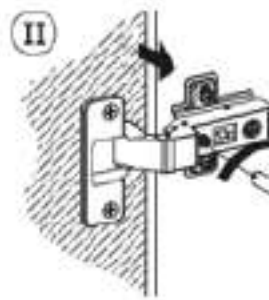
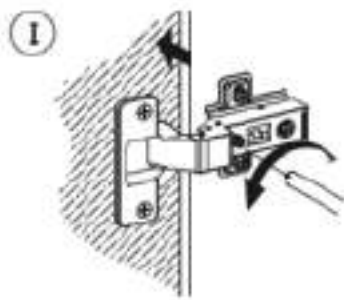
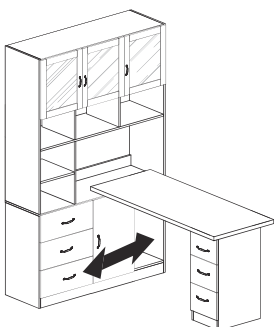
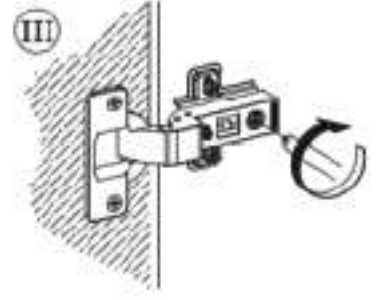
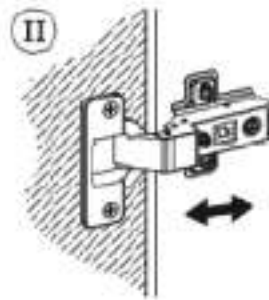
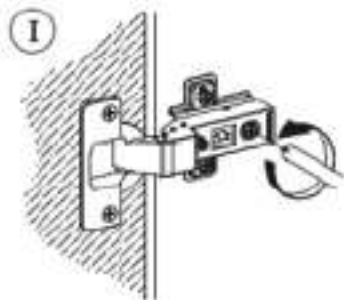
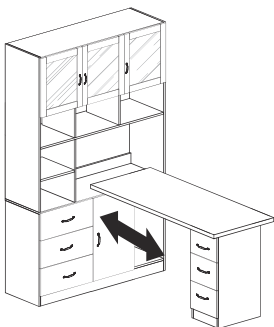
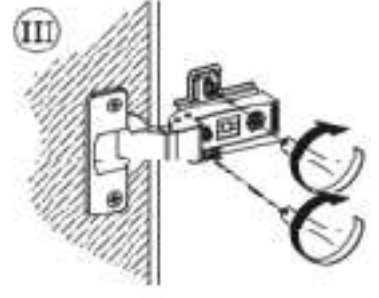
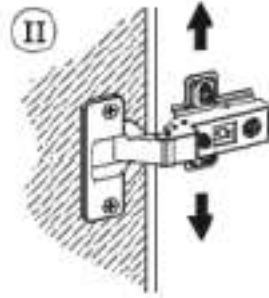
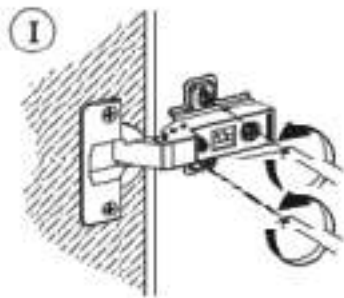
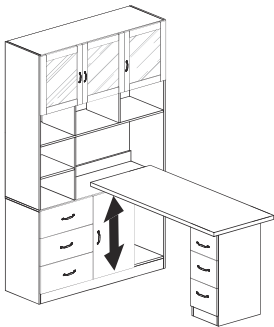


If doors are still not aligned if the hinges are properly correctly, please watch the video.

<https://youtu.be/n0Lb36SoODM>



If there is misalignment after you install, adjust the screw to the best condition



WARRANTY

WARRANTY CLAIMS

- There is a 30-day warranty for broken furniture or any other problems that do not work properly. The warranty will start from the date of purchase which must be verified by proof of purchase.
- Before making a claim, we may be able to answer your query, simply call us. Please leave your purchase order number, along with some details of the problem, if you want a replacement part. We will arrange within 48 hours. If there is out of stock, we will reply with a shipping date.
- The product must be used in accordance with the instructions provided. For health reasons.
- For other reasons, if the furniture needs to be returned, it must be cleaned and dried and operated within 30 days of receipt.

Type of Warranty Claim

- Failure to follow the furniture instructions will invalidate the warranty. Attention please.
- Does not include damage during installation, but includes damage during transportation.

Scope of responsibility

- Shall not bear any responsibility for misuse or user damage and / or loss of parts during the installation of furniture.
- After using, the damage and scratches of the furniture are not covered by the warranty.

The Warranty Relates to All Bought in The Us and Covers The Following Areas

- Sheet parts: 1 month from the date of purchase.
- Electrical parts: 1 month from the date of purchase.

RETURNS

CHANGED YOUR MIND AND NEED TO RETURN YOU ITEM?

PLEASE FOLLOW THE BELOW INSTRUCTIONS:

- If you have purchased and have simply changed your mind, follow the retailer's instructions for returns.

DEFECTIVE ITEMS

- If your item is defective in any way, i.e. it doesn't work but you can't identify why, in the first instance, please call us.

DAMAGED ITEMS

- If you receive an order with obvious shipping damage from the retailer, then we suggest the delivery is refused. If the delivery has been accepted and then shipping damage is found, please follow the specific instructions advised by the retailer.
In all circumstances please save all packaging material and paperwork for the order. Please be aware that if you dispose of packaging material or attempt to return the merchandise without contacting the fulfiller, you jeopardise your chances of making a claim, and you may not receive a credit for the return.

AFTER-SALES CONTACT



feedbackstation@163.com



(303)800-6387