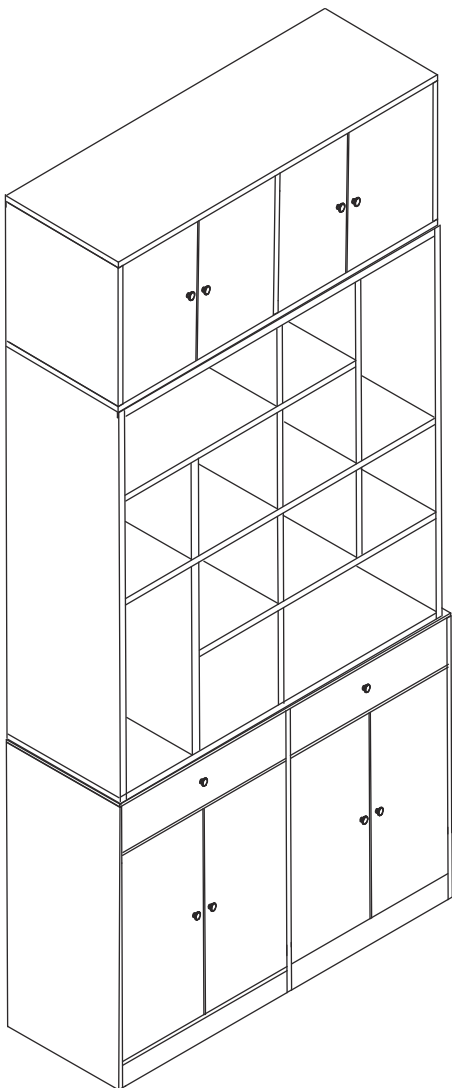
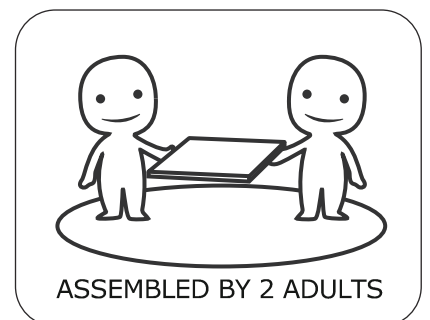
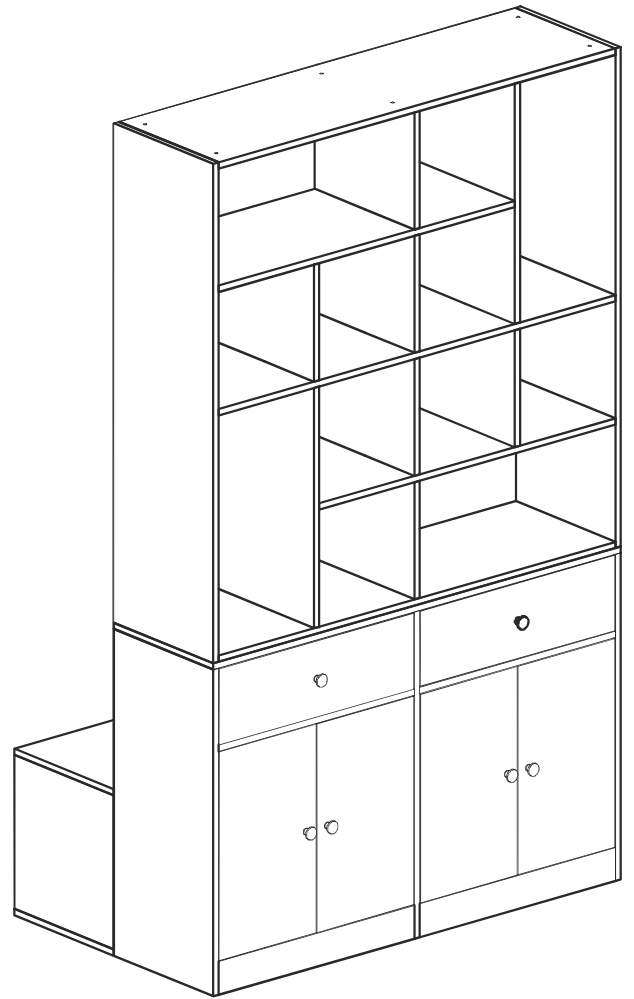
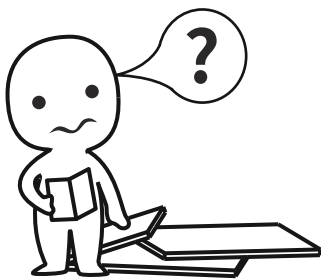


Cabinet



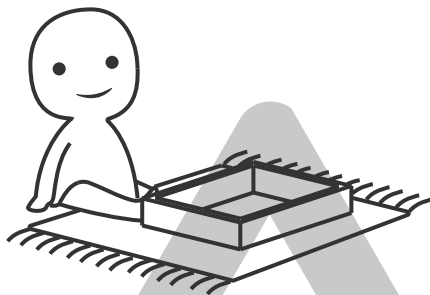
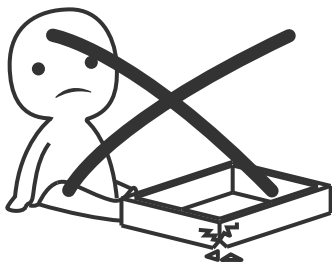
OR





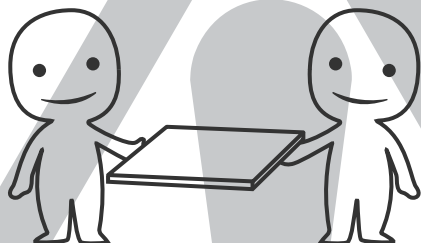
IMPORTANT INFORMATION!

please read the entire manual before starting to assemble and/or using this product. follow the manual thoroughly and keep it for further reference.



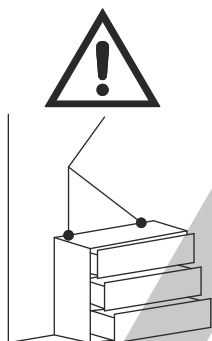
AVOID SCRATCHES!

In order to avoid scratching this furniture should be assembled on a soft layer- could be a rug.



IMPROVE EFFICIENCY !

Try to find a partner to install with you, which can speed up the installation efficiency and shorten the time.



ANTI-TOPPLE WARNING !

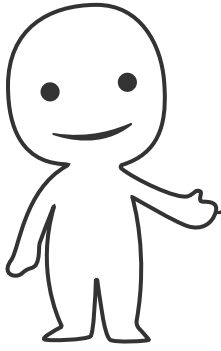
Overturnd furniture can cause serious or fatal crush injuries. To prevent tipping over, be sure to use the wall attachment, if not included with this product. Please purchase the wall attachment that fit your wall. If unsure, seek professional advice. Please read and follow each step of the instructions carefully.

IMPORTANT !

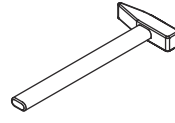
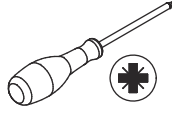
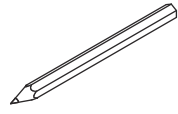
It is important that any product which is assembled using any kind of screw is re-tightened 2 weeks after assembly, and once every 3 months - in order to assure stability through-out the lifespan of the product.

For regular maintenance and cleaning of the product, for the frame, please use a rag dipped in neutral detergent to fully wipe it, and then dry it with a clean rag. For glass materials, wipe with a rag dampened with water glass cleaner, and then dry with a dry rag.

Do not use an electric screwdriver, and do not use too much force when installing, because the board is easy to break.

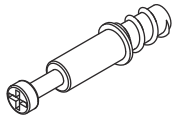


Please prepare the following tools



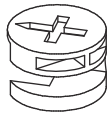
When installing, please carefully confirm whether each screw corresponds to the manual, accessories with similar shapes can be distinguished by size

A x 100+2



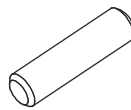
Ø 6 x 35 mm

B x 76+2



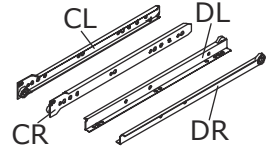
Ø 15 x 11 mm

C x 38+2



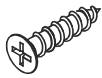
Ø 8 x 30 mm

D x 2



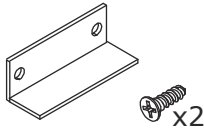
L = 300 mm

E x 48+4



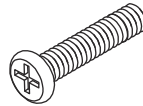
Ø 3 x 12 mm

F x 4



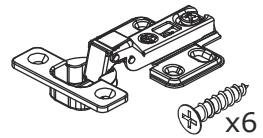
Ø 3 x 12 mm

G x 12+1



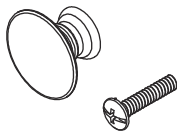
Ø 6 x 20 mm

H x 16



Ø 3.5 x 14 mm

J x 10

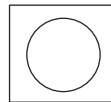


Ø 4 x 18 mm

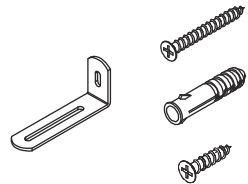
K x 8



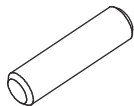
L x 100+5



M x 2

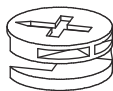


Q x 26+2



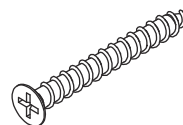
Ø 6 x 30 mm

R x 24+2

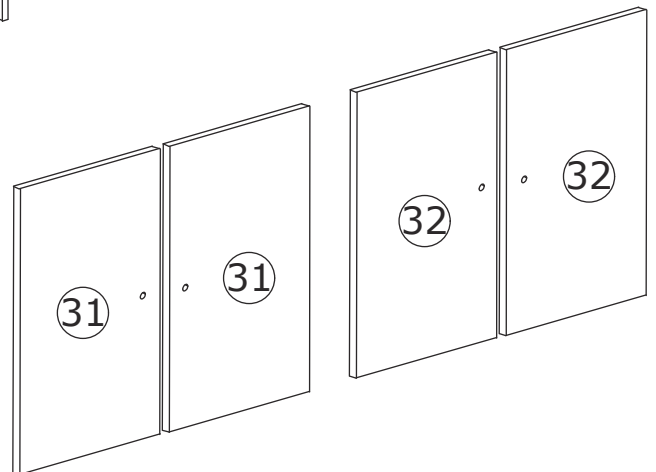
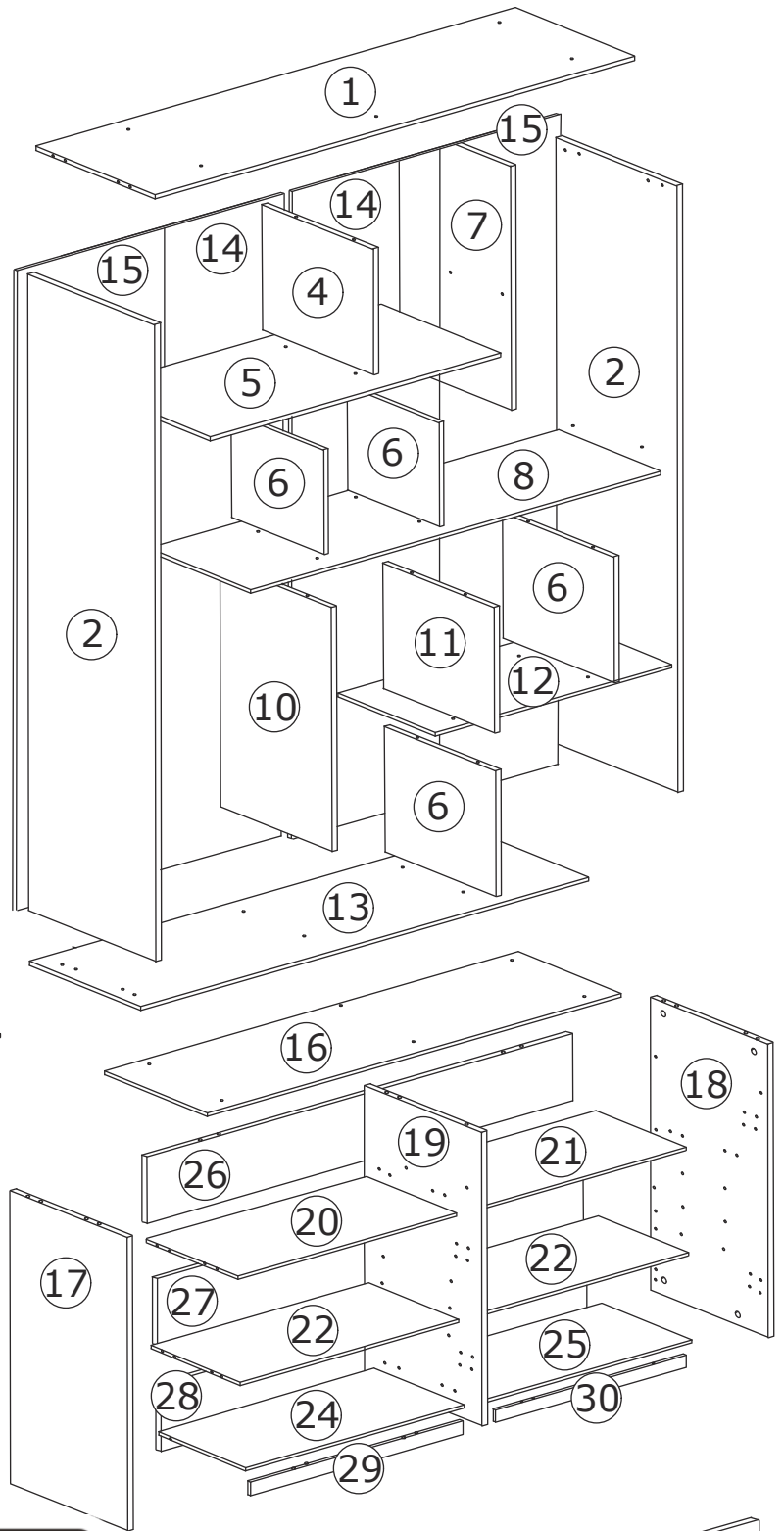
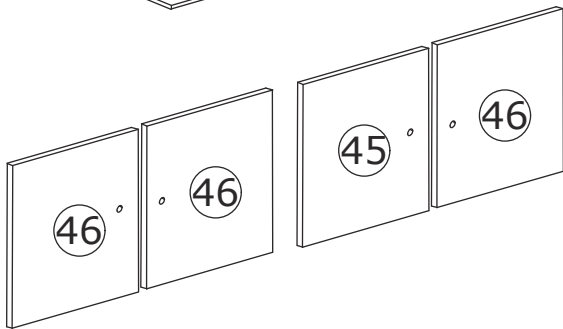
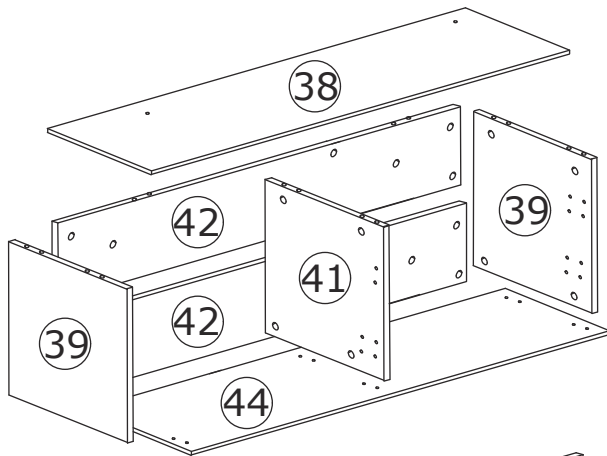
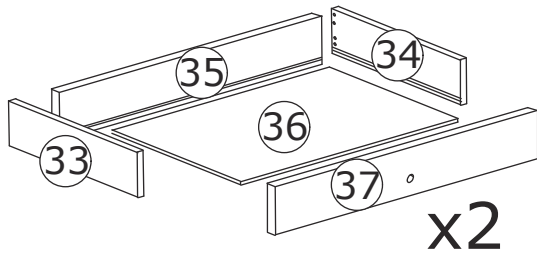


Ø 15 x 9.5 mm

S x 34+3



Ø 4 x 30 mm



⚠ WARNING



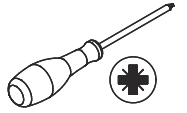
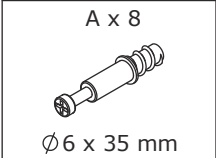
Children have died from furniture tipover. To reduce the risk of furniture tipover:

- ALWAYS install tipover restraint provided.
- NEVER put a TV on this product.
- NEVER allow children to stand, climb or hang on drawers, doors, or shelves.
- NEVER open more than one drawer at a time.
- Place heaviest items in the lowest drawers.

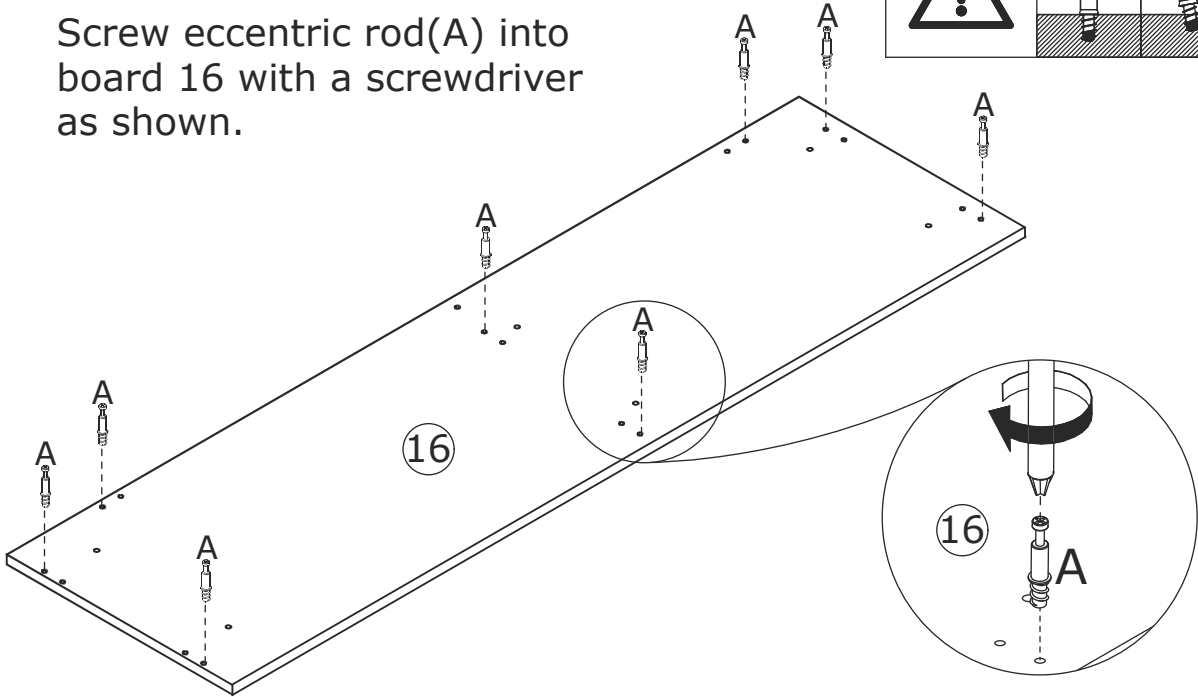
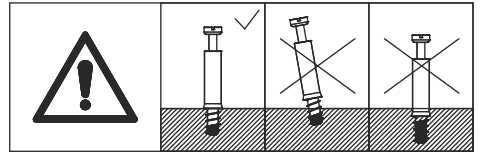


*This is a permanent label.
Do not remove!*

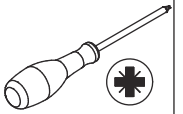
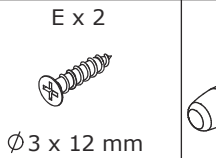
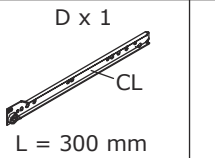
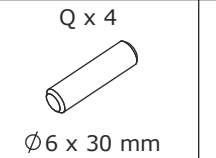
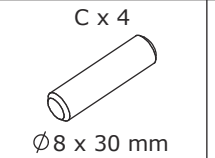
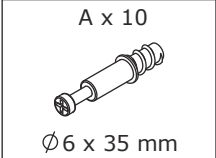
1



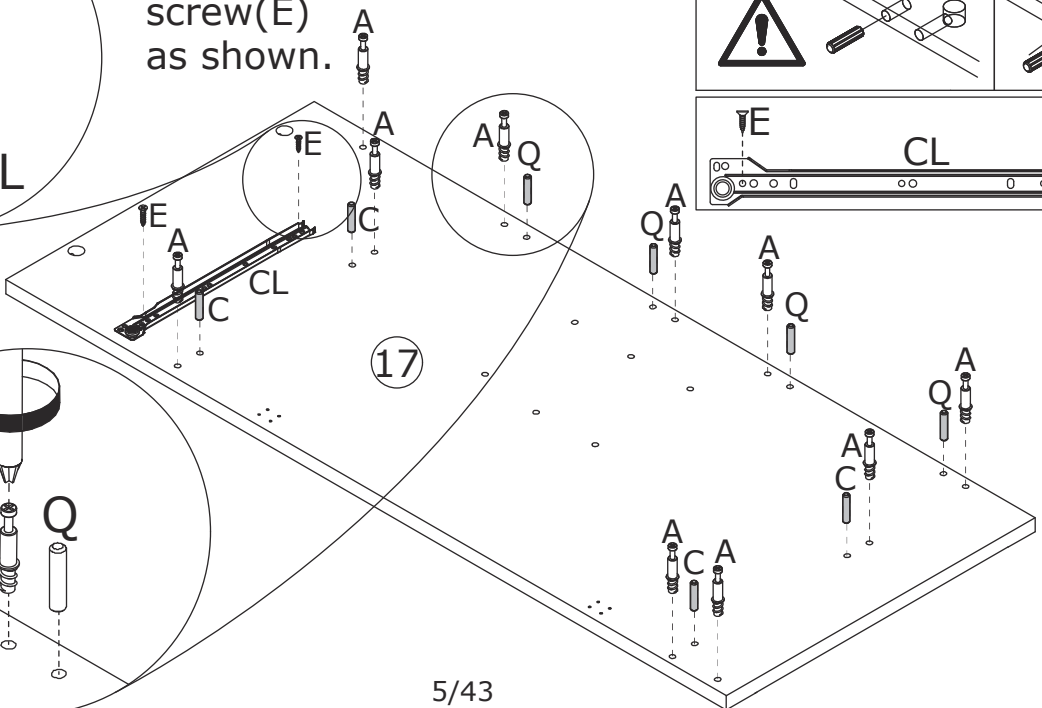
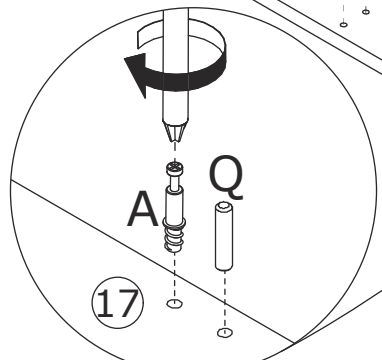
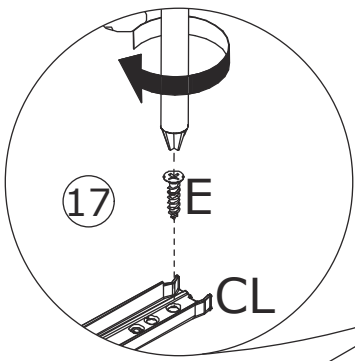
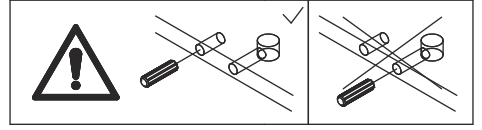
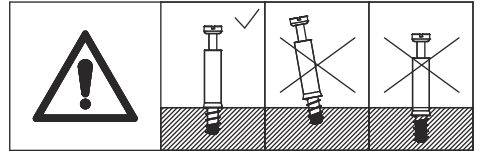
Screw eccentric rod(A) into board 16 with a screwdriver as shown.



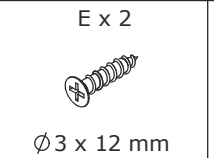
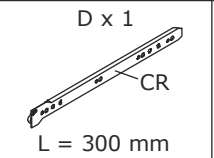
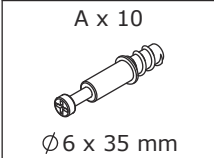
2



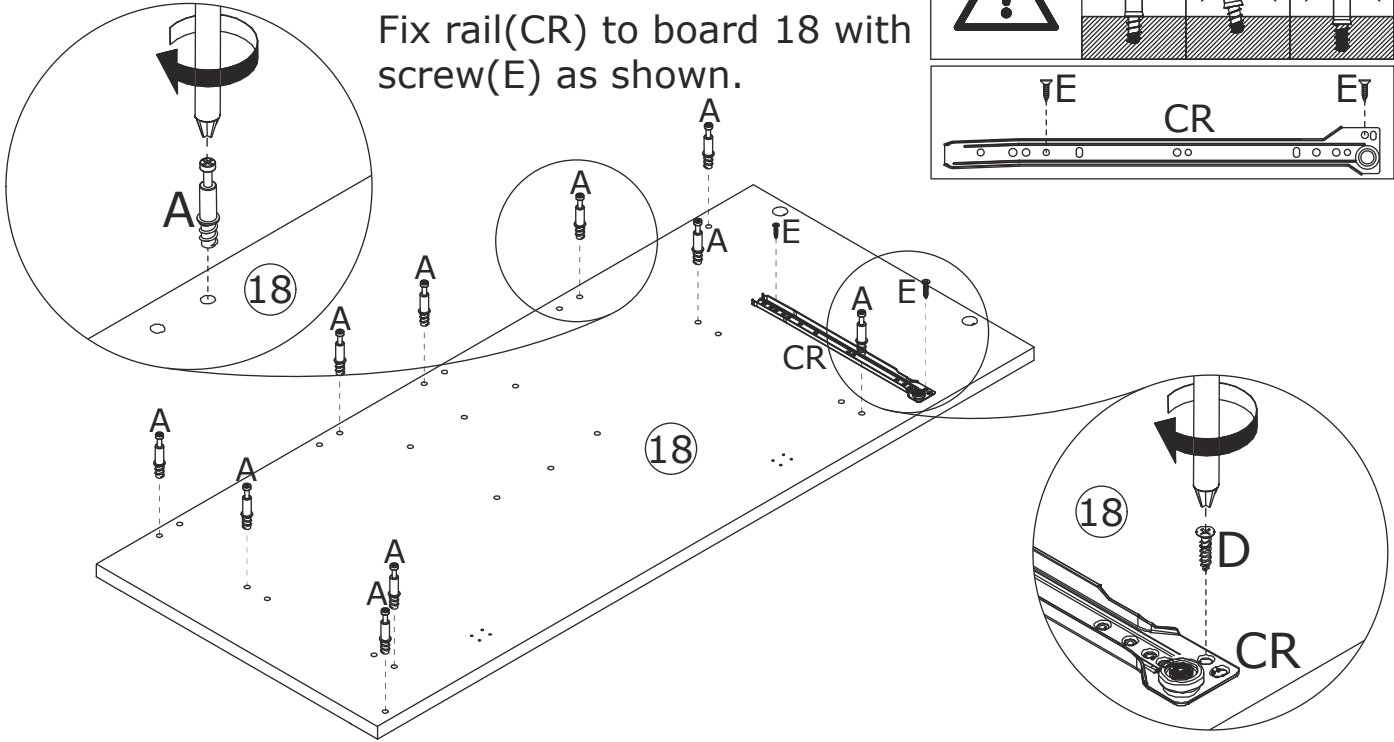
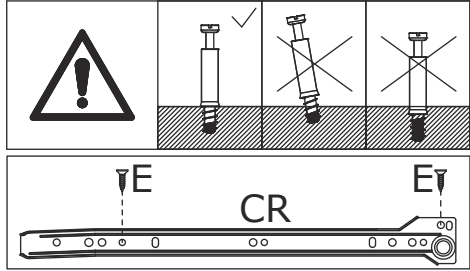
Screw eccentric rod(A) and insert wooden dowel(C&Q) into board 17 as shown. Fix rail(CL) to board 17 with screw(E) as shown.



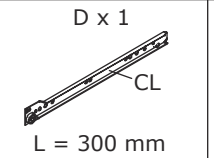
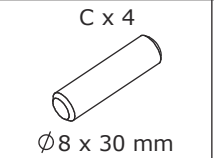
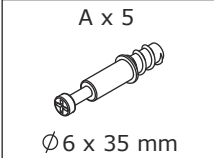
3



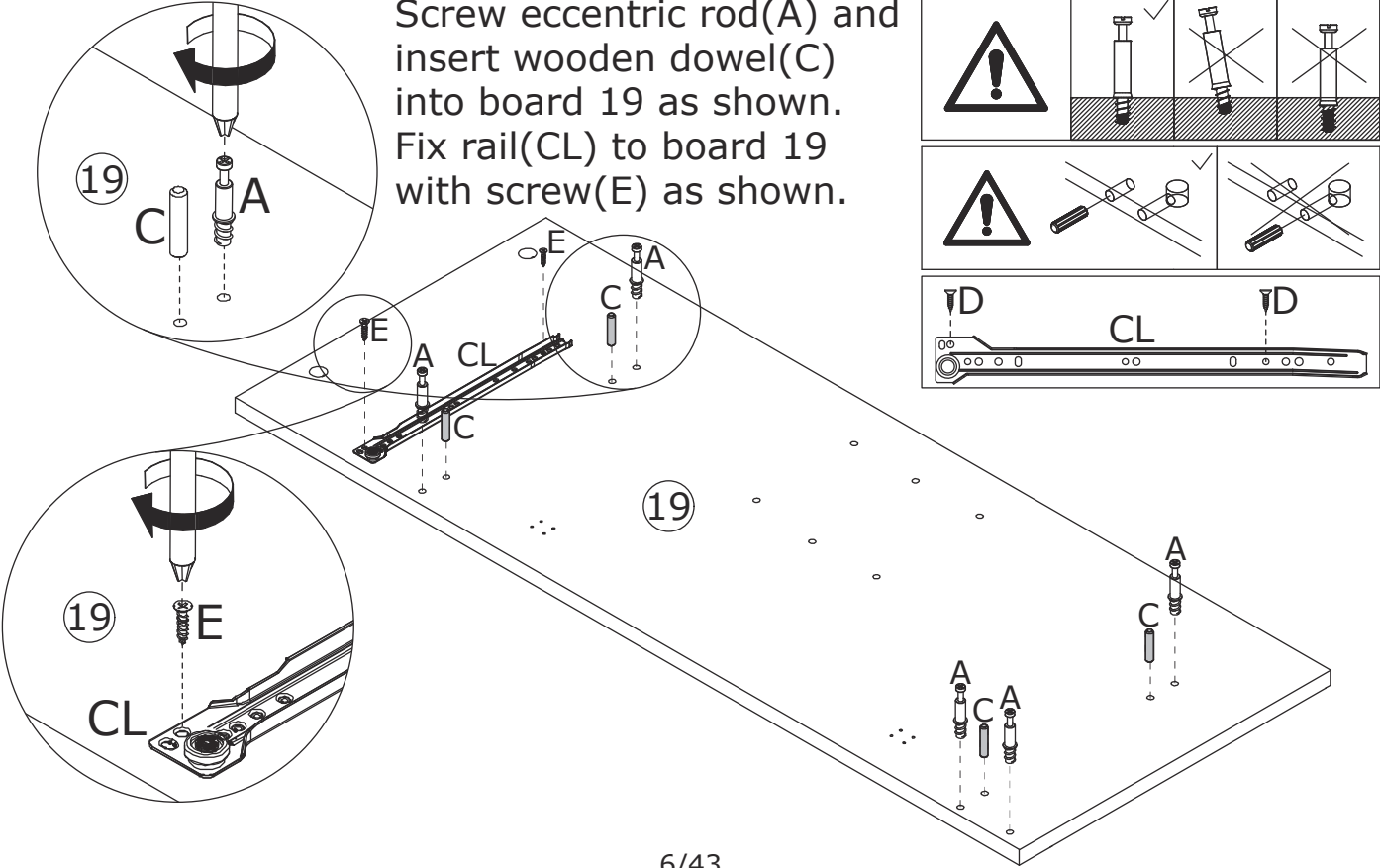
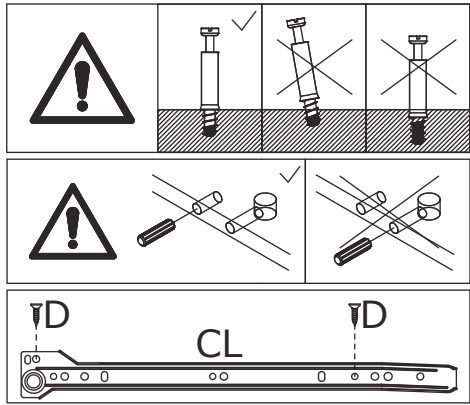
Screw eccentric rod(A) into board 18 as shown.
 Fix rail(CR) to board 18 with screw(E) as shown.



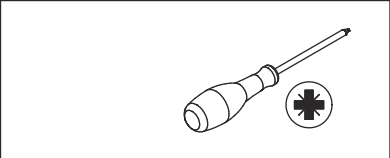
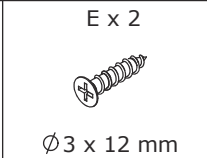
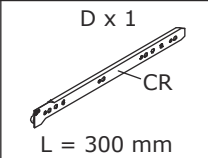
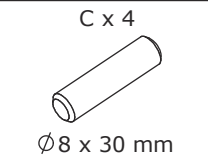
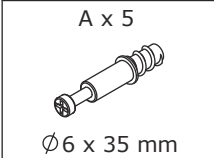
4



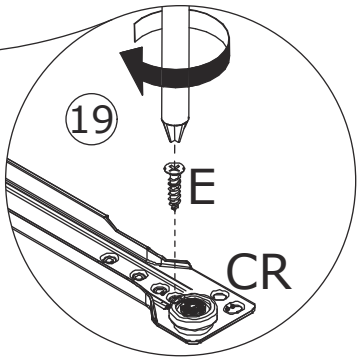
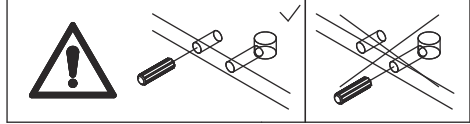
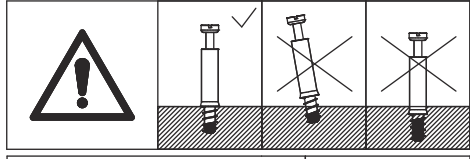
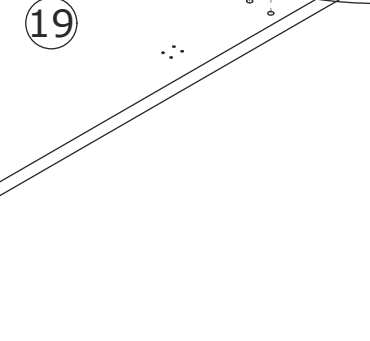
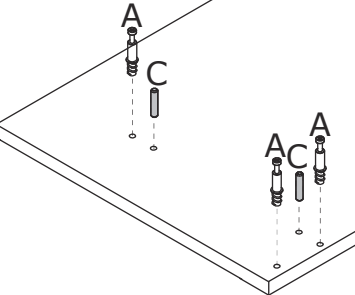
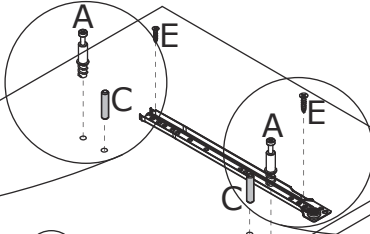
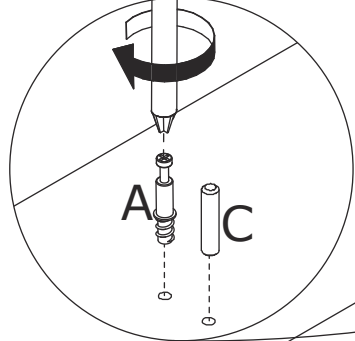
Screw eccentric rod(A) and insert wooden dowel(C) into board 19 as shown.
 Fix rail(CL) to board 19 with screw(E) as shown.



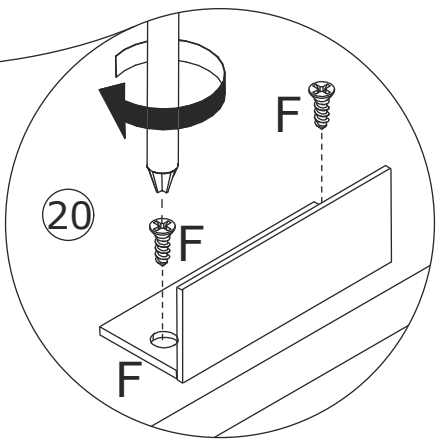
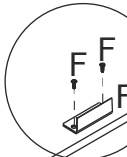
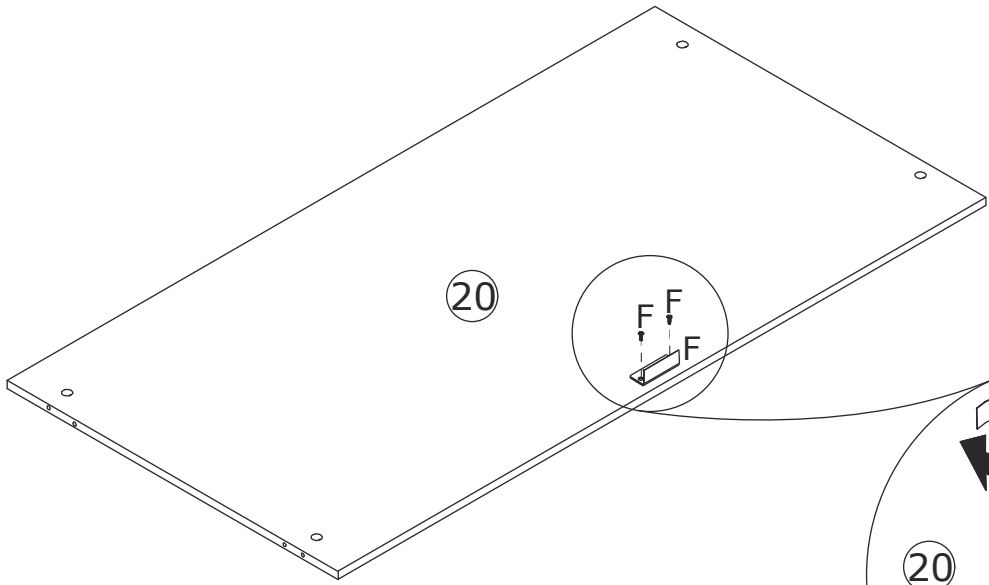
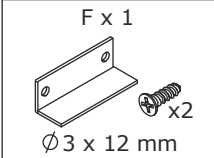
5



Flip board 19 to back, screw eccentric rod(A) and insert wooden dowel(C) into as shown. Fix rail(CR) to board 19 with screw(E) as shown.

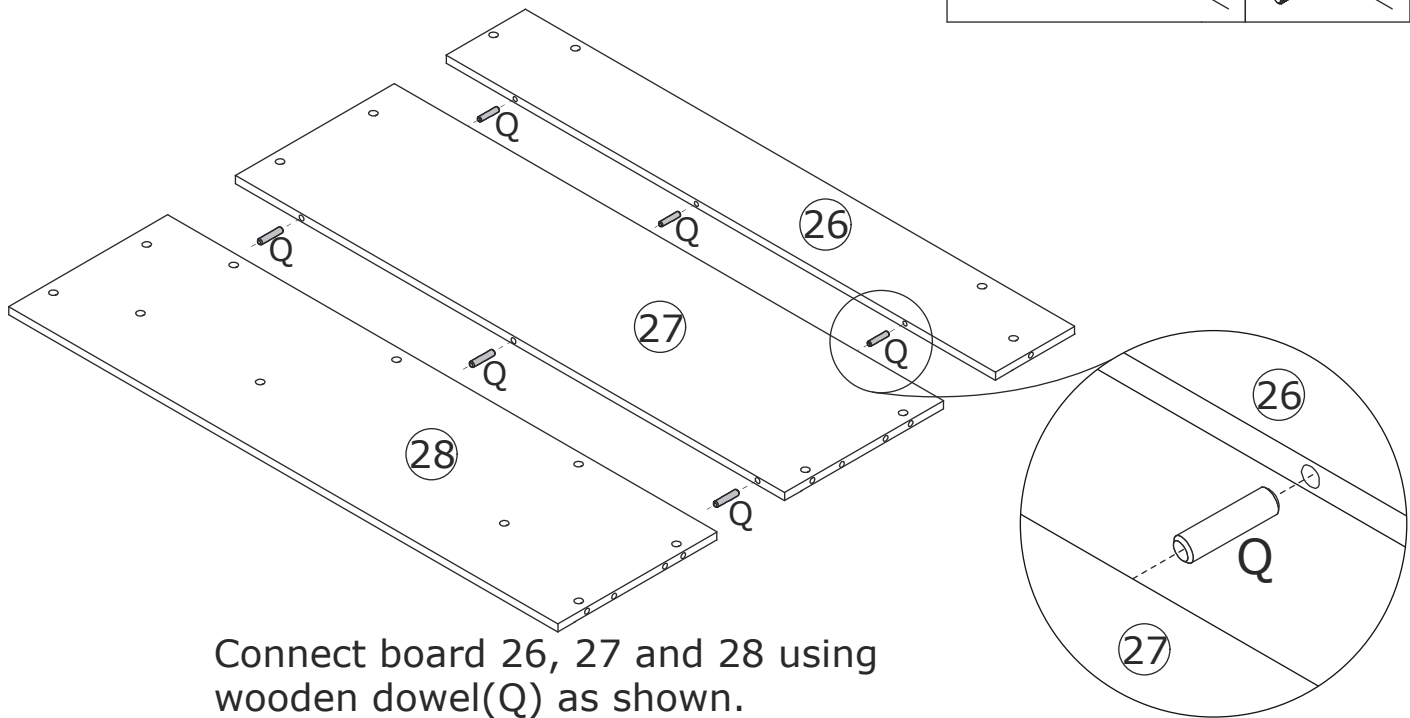
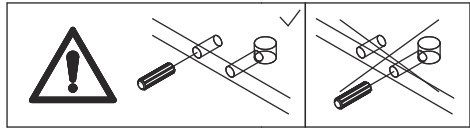
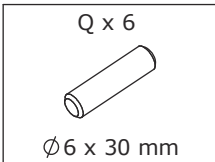


6



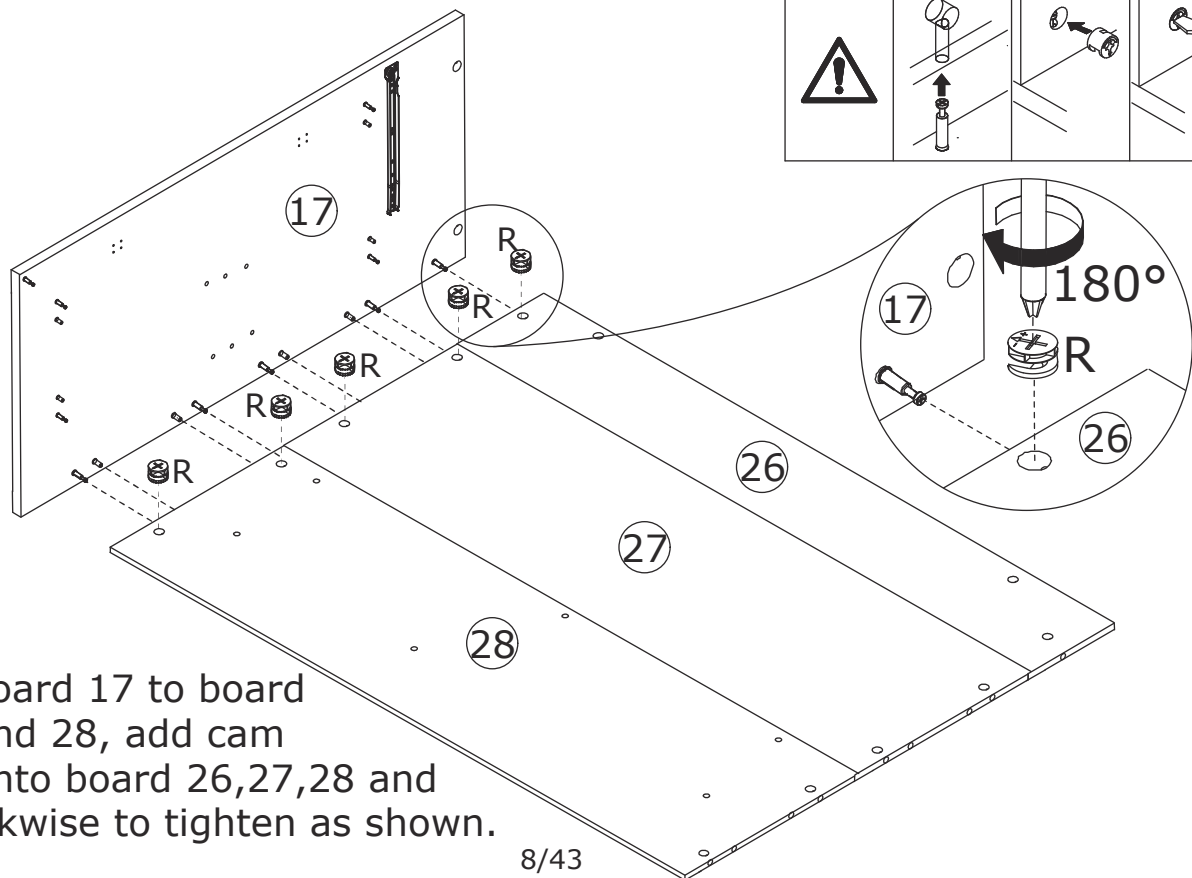
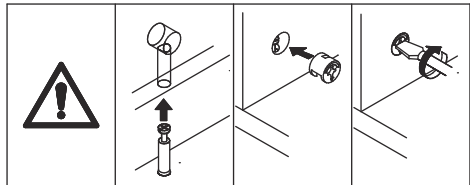
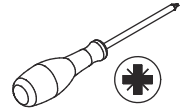
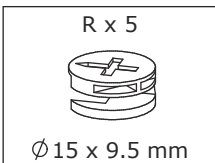
Fix part(F) to board 20 as shown.

7



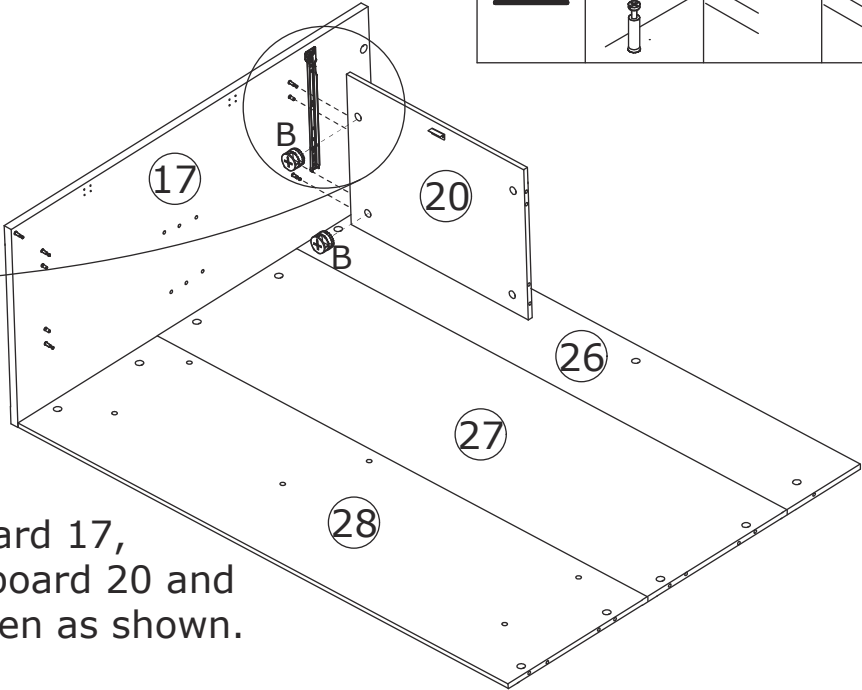
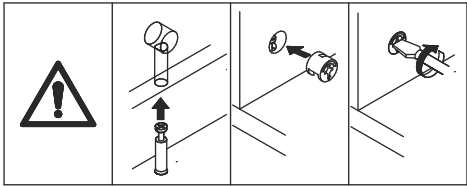
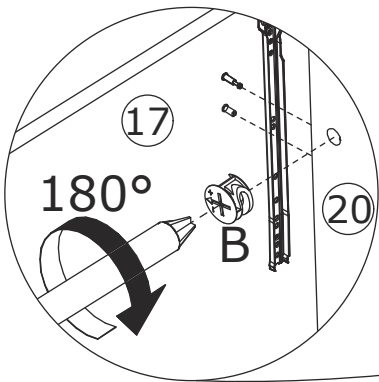
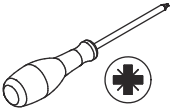
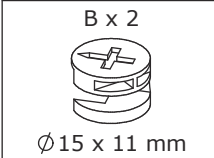
Connect board 26, 27 and 28 using wooden dowel(Q) as shown.

8



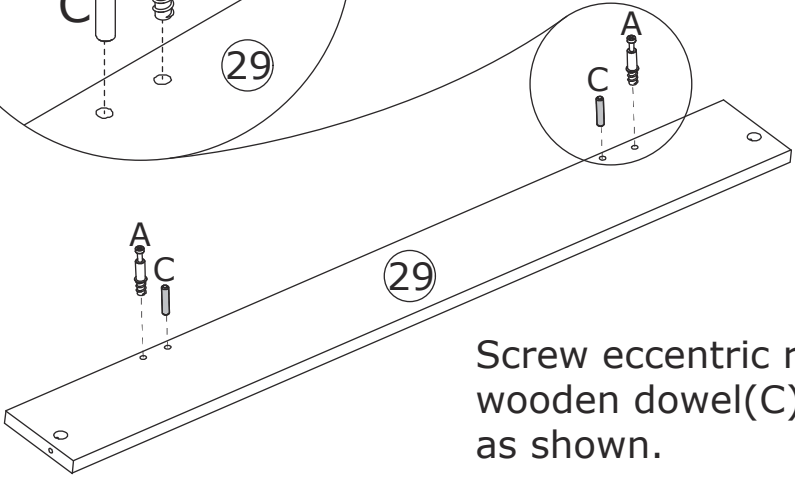
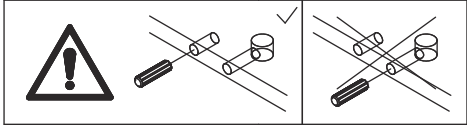
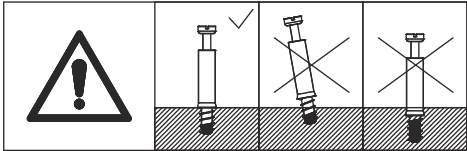
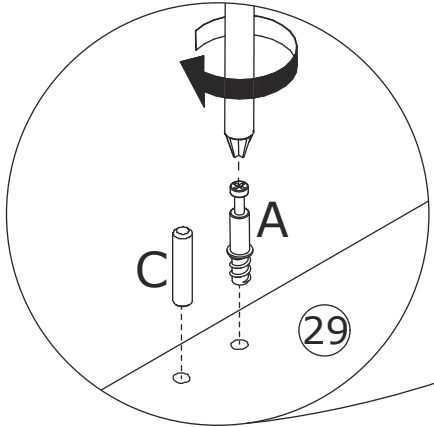
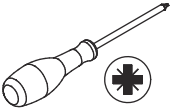
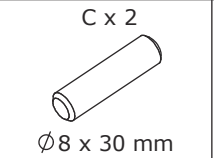
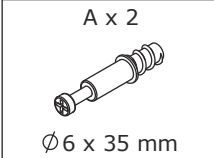
Attach board 17 to board 26, 27 and 28, add cam lock(R) into board 26,27,28 and turn clockwise to tighten as shown.

9



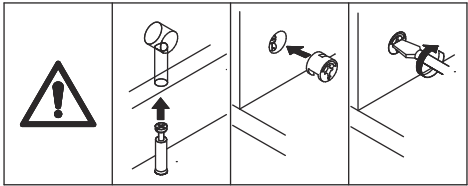
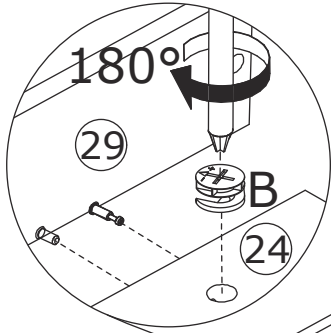
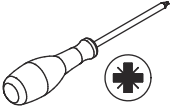
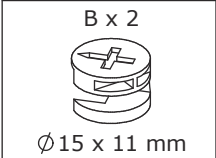
Attach board 20 to board 17,
add cam lock(B) into board 20 and
turn clockwise to tighten as shown.

10

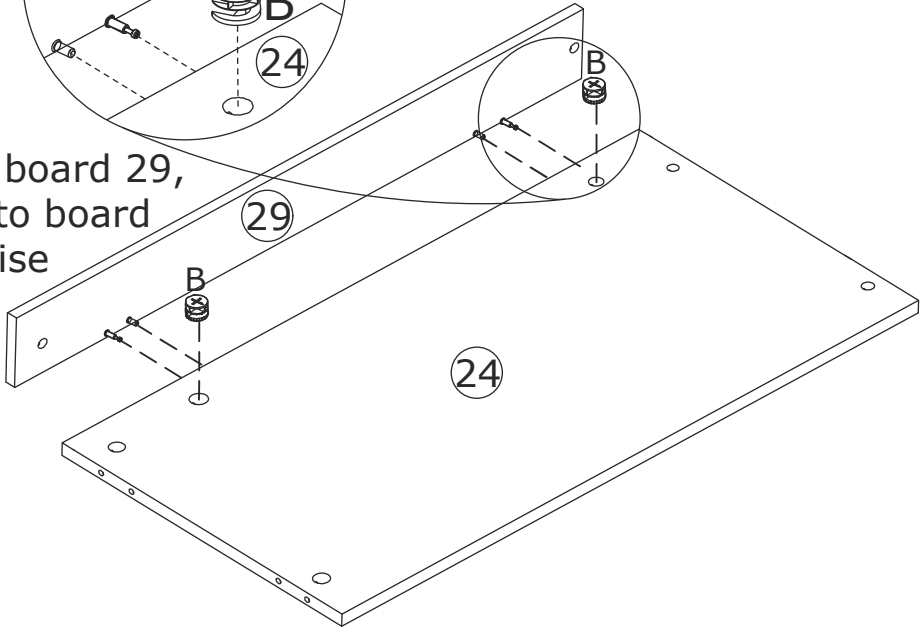


Screw eccentric rod(A) and insert
wooden dowel(C) into board 29
as shown.

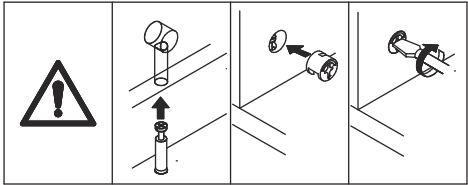
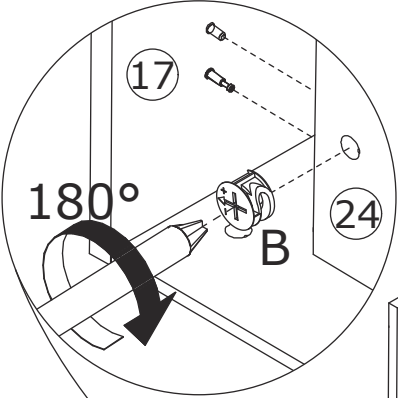
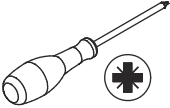
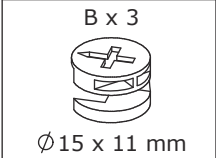
11



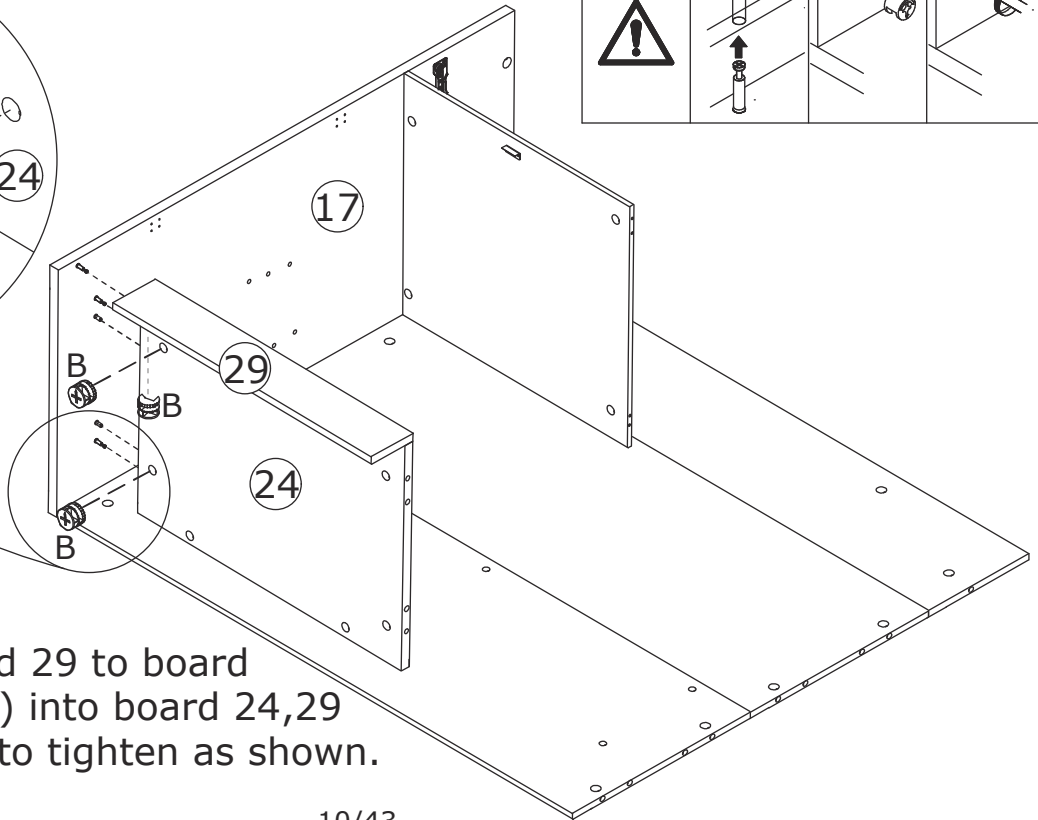
Attach board 24 to board 29,
add cam lock(B) into board
24 and turn clockwise
to tighten as
shown.



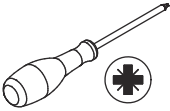
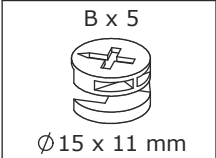
12



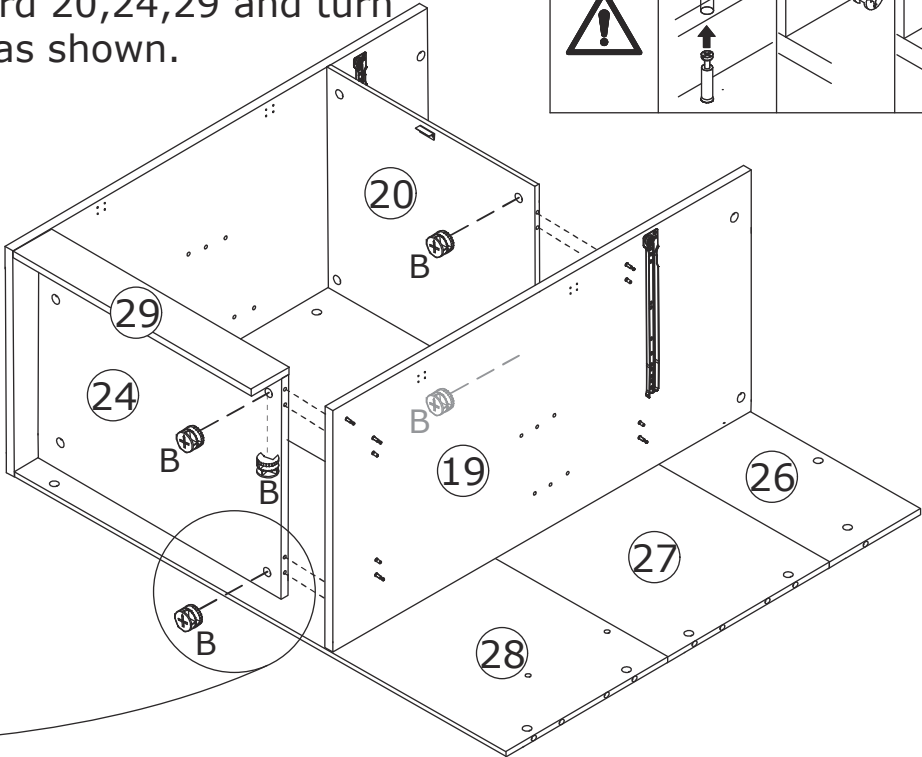
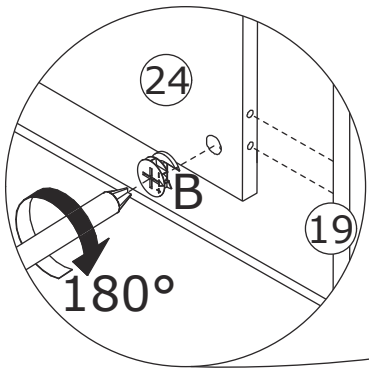
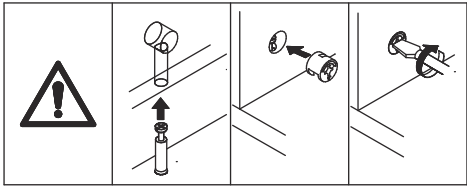
Attach board 24 and 29 to board
17, add cam lock(B) into board 24,29
and turn clockwise to tighten as shown.



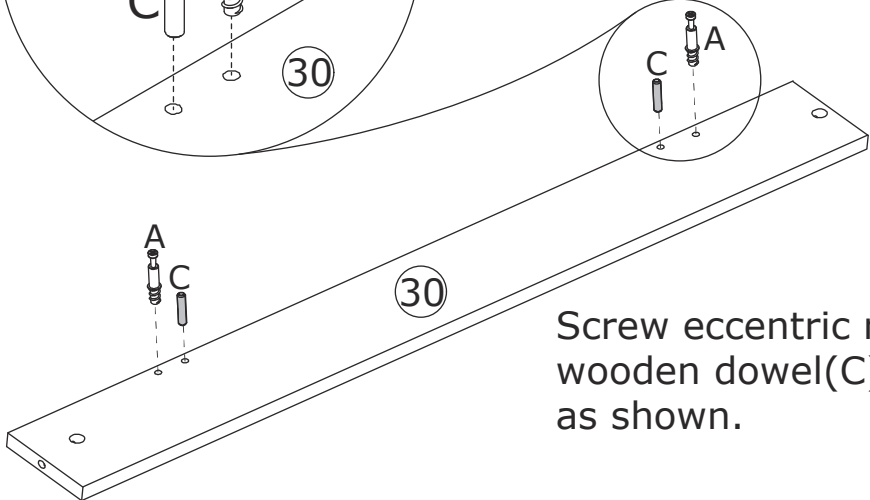
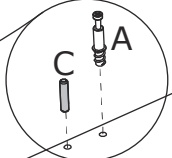
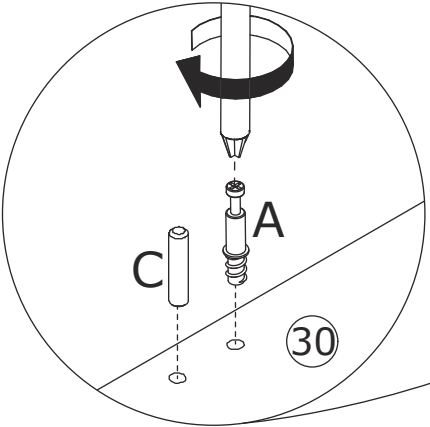
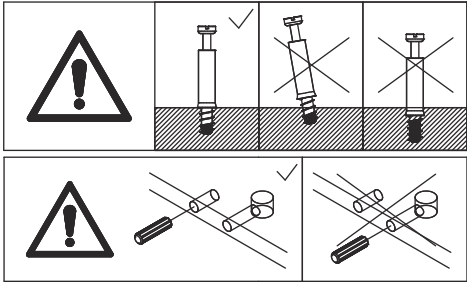
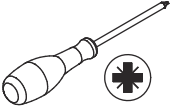
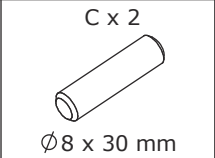
13



Attach board 19 to board 20, 24 and 29, add cam lock(B) into board 20,24,29 and turn clockwise to tighten as shown.

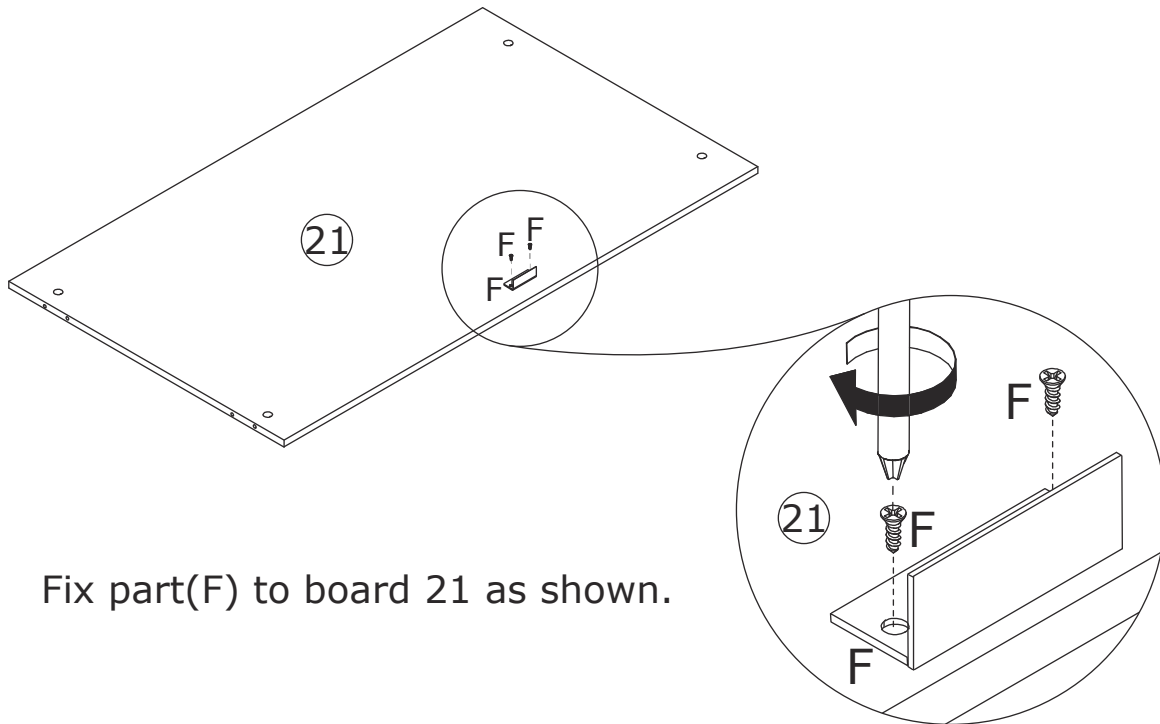
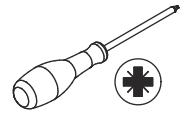
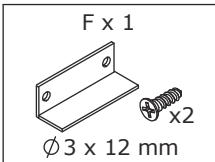


14



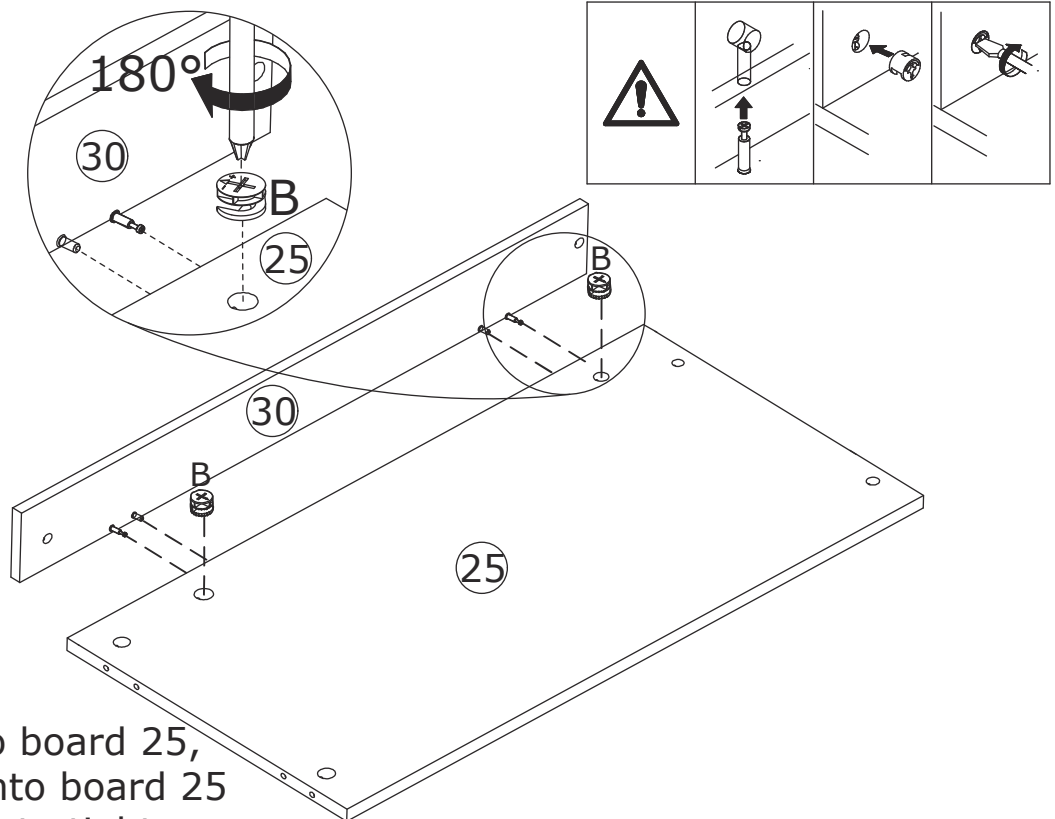
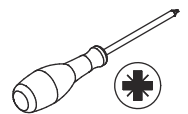
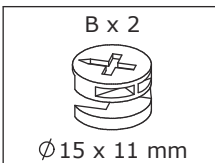
Screw eccentric rod(A) and insert wooden dowel(C) into board 30 as shown.

15



Fix part(F) to board 21 as shown.

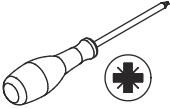
16



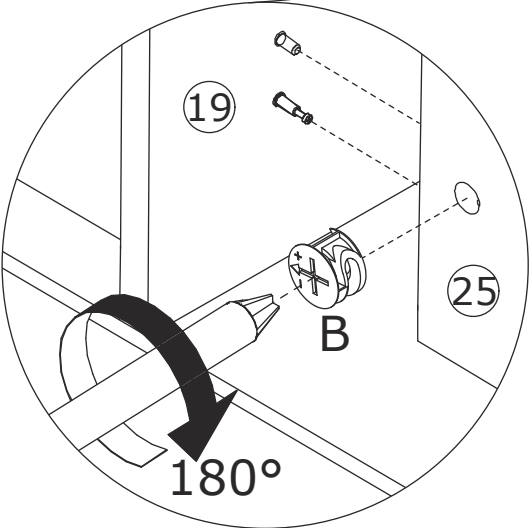
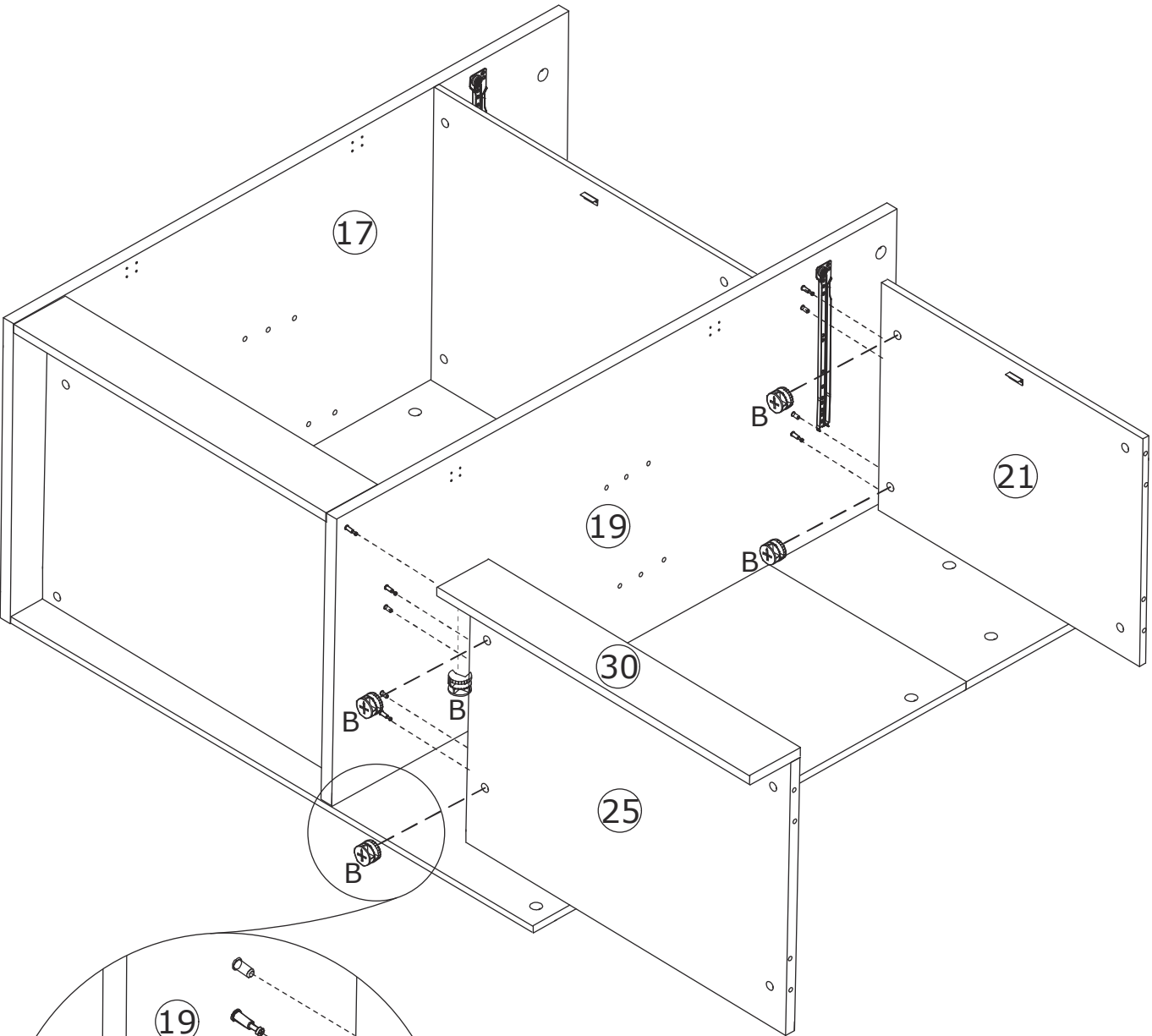
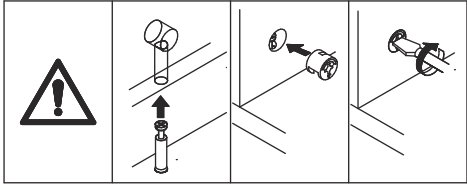
Attach board 30 to board 25,
add cam lock(B) into board 25
and turn clockwise to tighten
as shown.

17

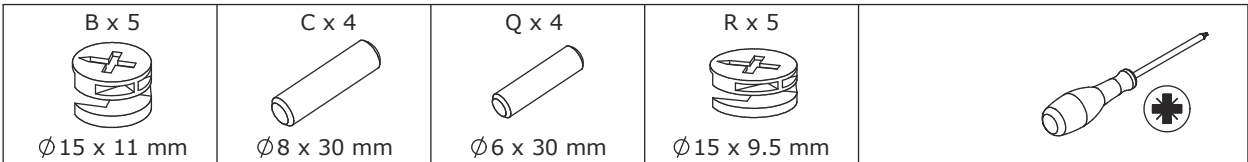
B x 5
Ø15 x 11 mm



Attach board 21, 25 and 30 to board 19, add cam lock(B) into board 21,25,30 and turn clockwise to tighten as shown.

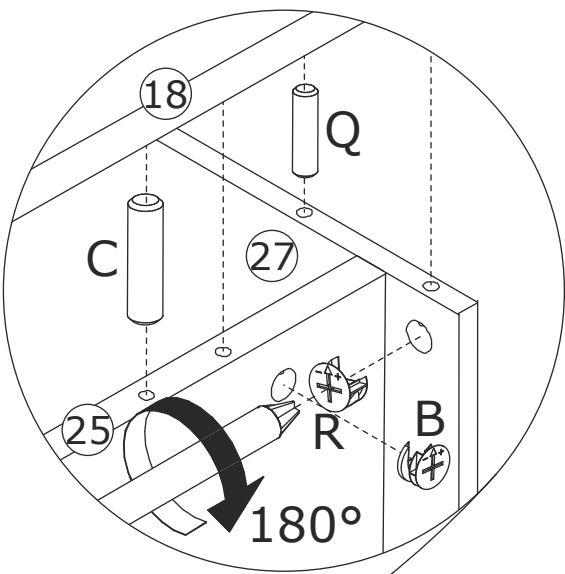
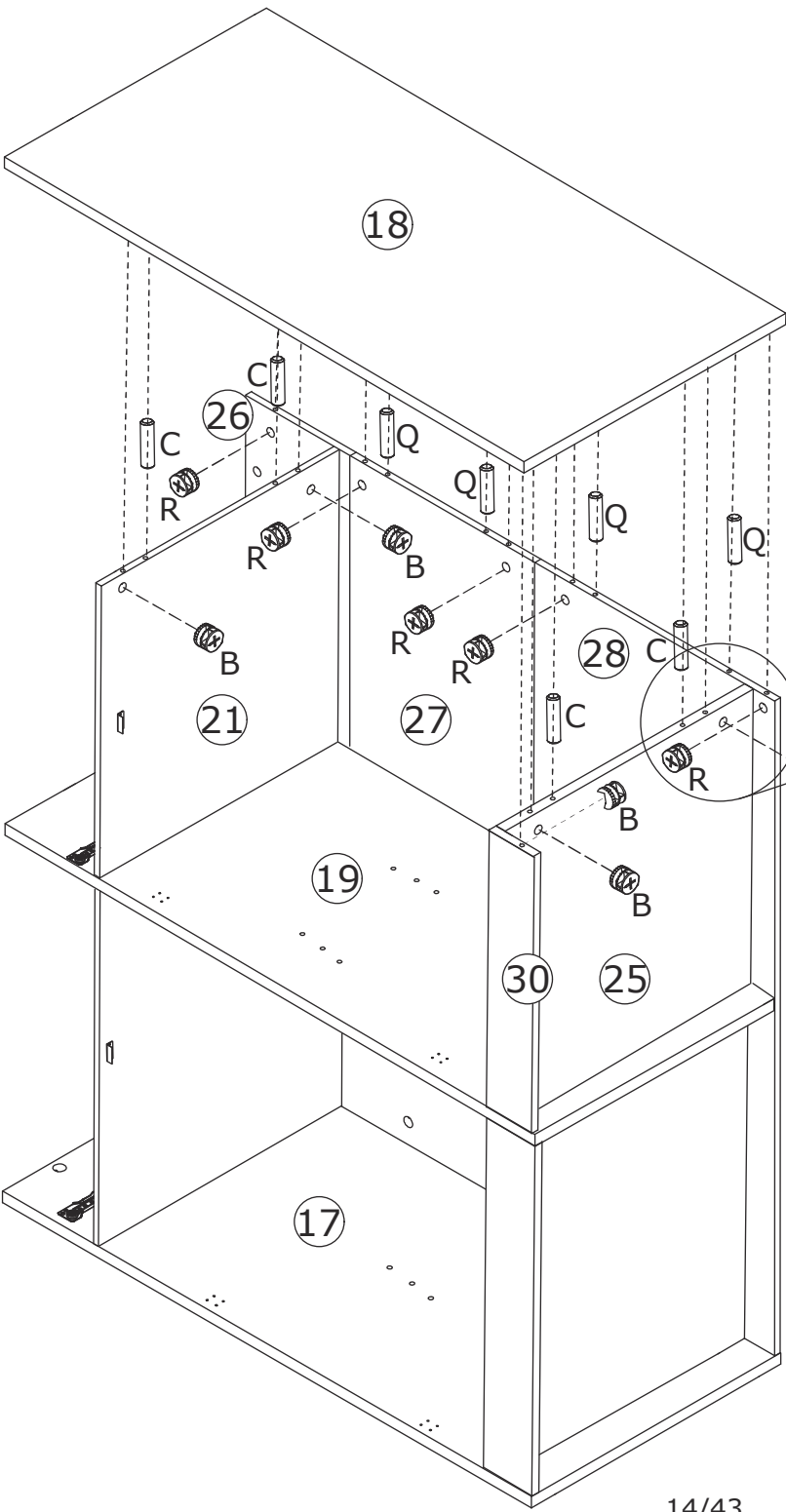
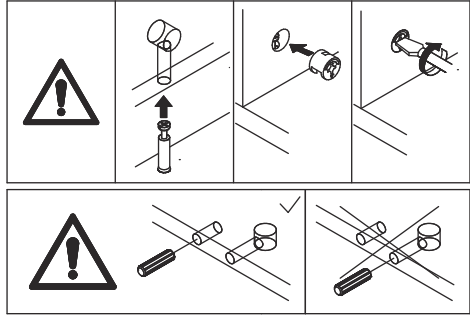


18

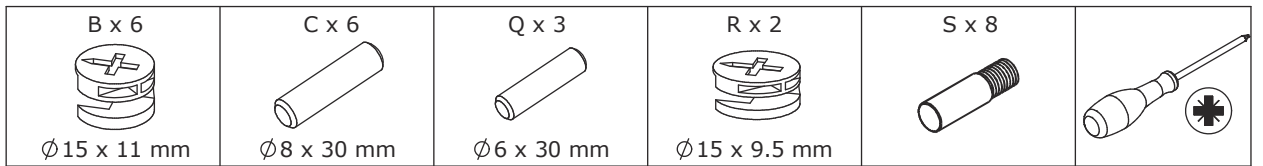


Insert wooden dowel(C) into board 21 and 25, wooden dowel(Q) into board 26, 27 and 28 at first.

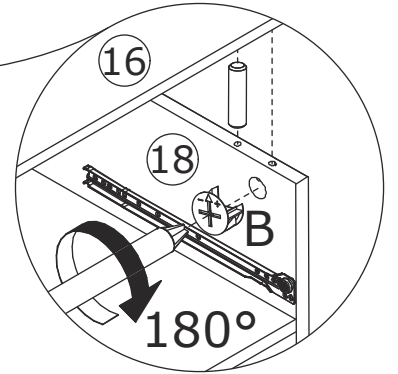
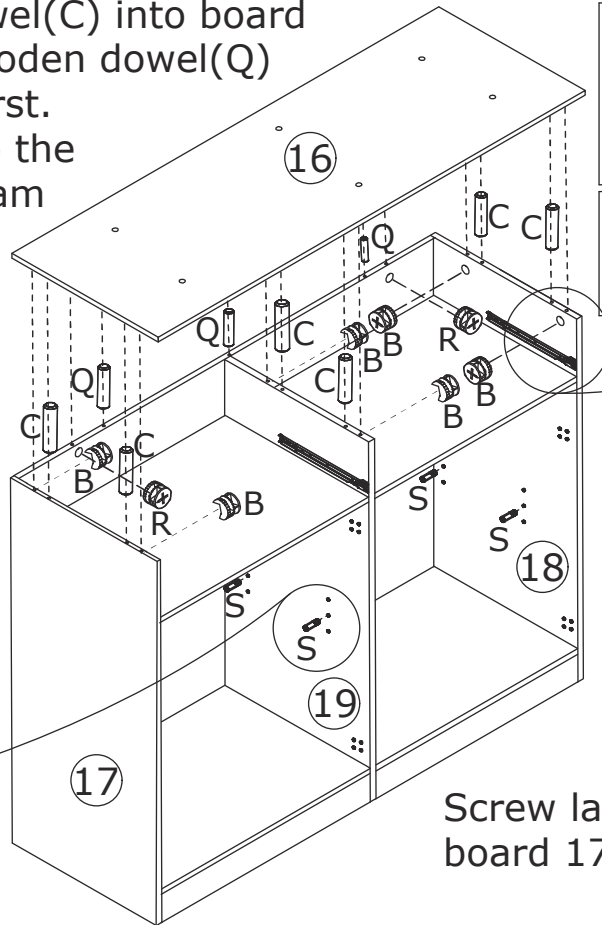
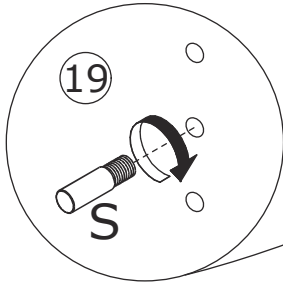
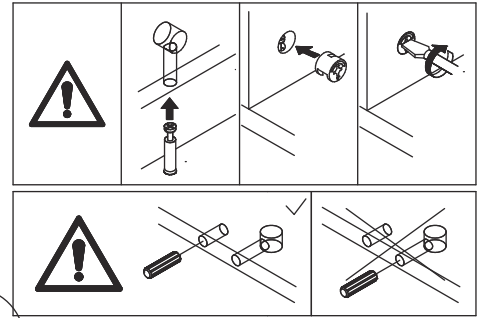
Attach board 18 to the component, add cam lock(B) into board 21,25,30, cam lock(R) into board 26,27,28 and turn clockwise to tighten as shown.



19



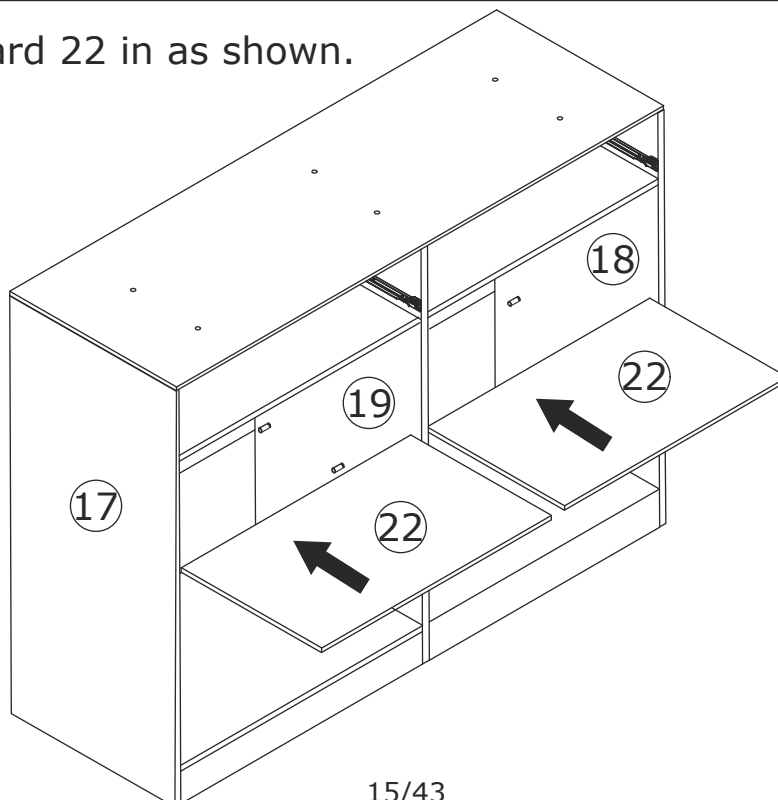
Insert wooden dowel(C) into board 17, 19 and 18, wooden dowel(Q) into board 26 at first. Attach board 16 to the component, add cam lock(B) into board 17,19,18, cam lock(R) into board 26 and turn clockwise to tighten as shown.



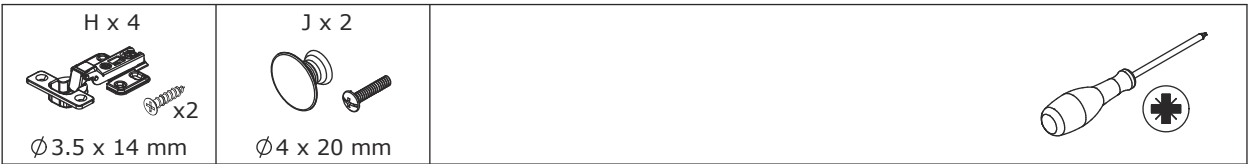
Screw layer pin(S) into board 17, 19 and 18 as shown.

20

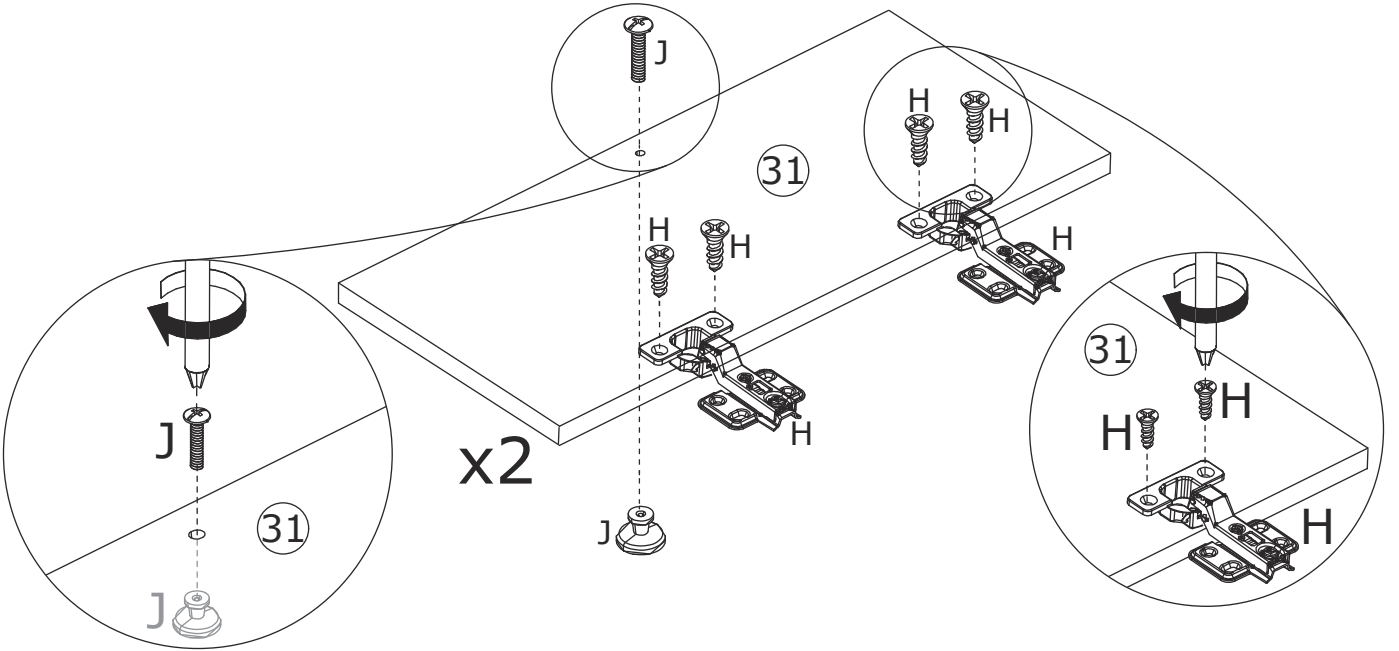
Place shelf board 22 in as shown.



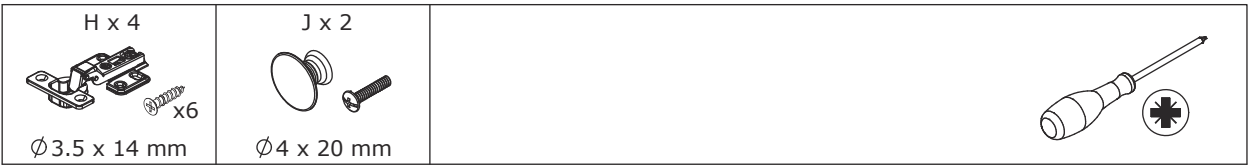
21



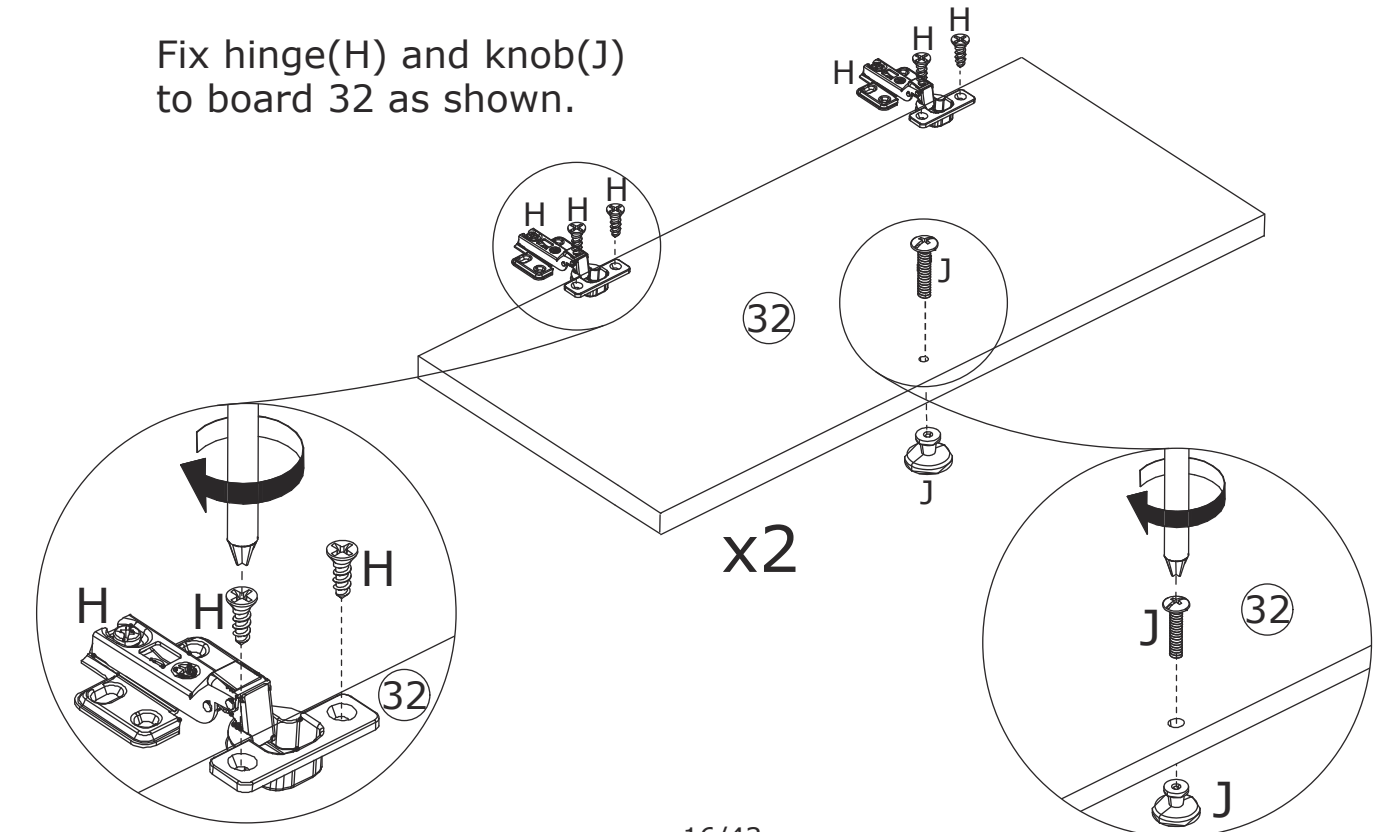
Fix hinge(H) and knob(J) to board 31 as shown.



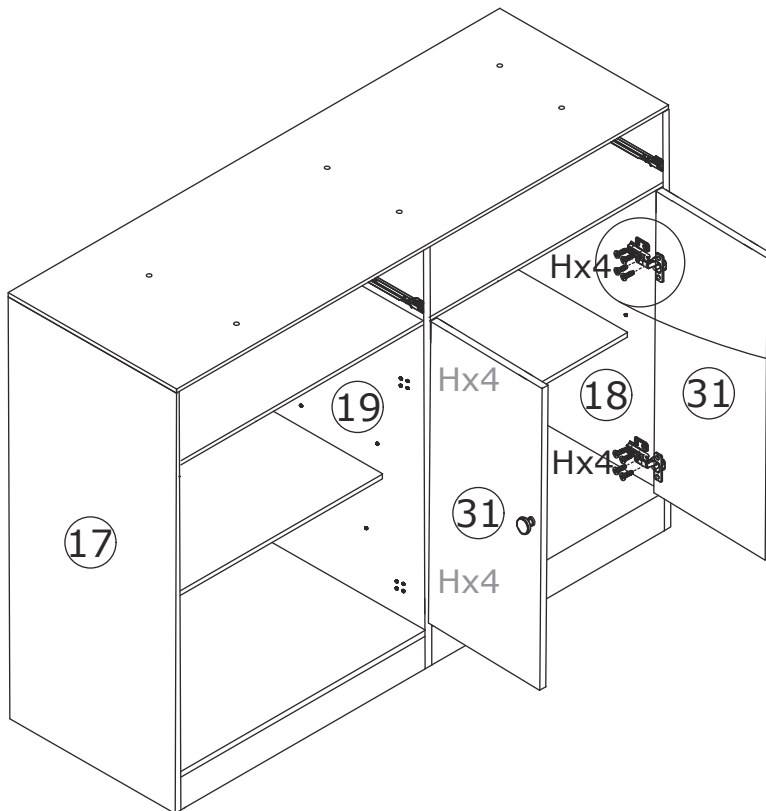
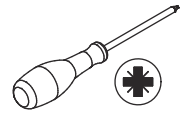
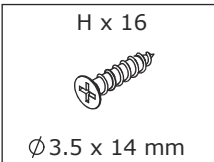
22



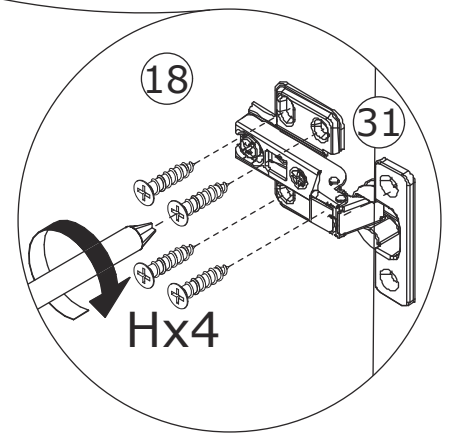
Fix hinge(H) and knob(J) to board 32 as shown.



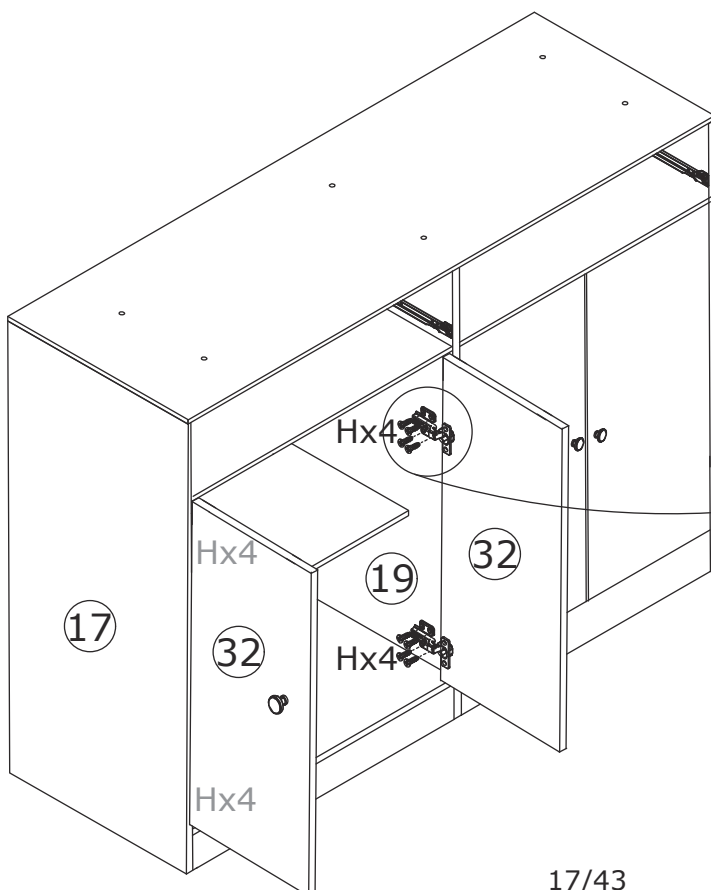
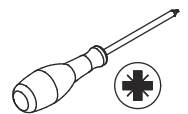
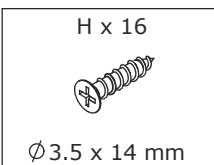
23



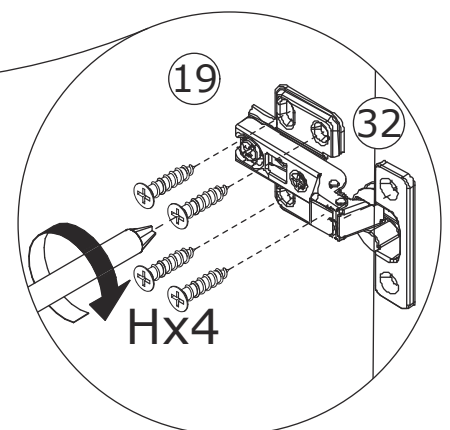
Fix door 31 to board 18 and 19 with screw(H) as shown.



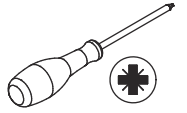
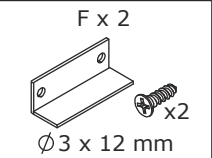
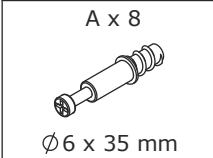
24



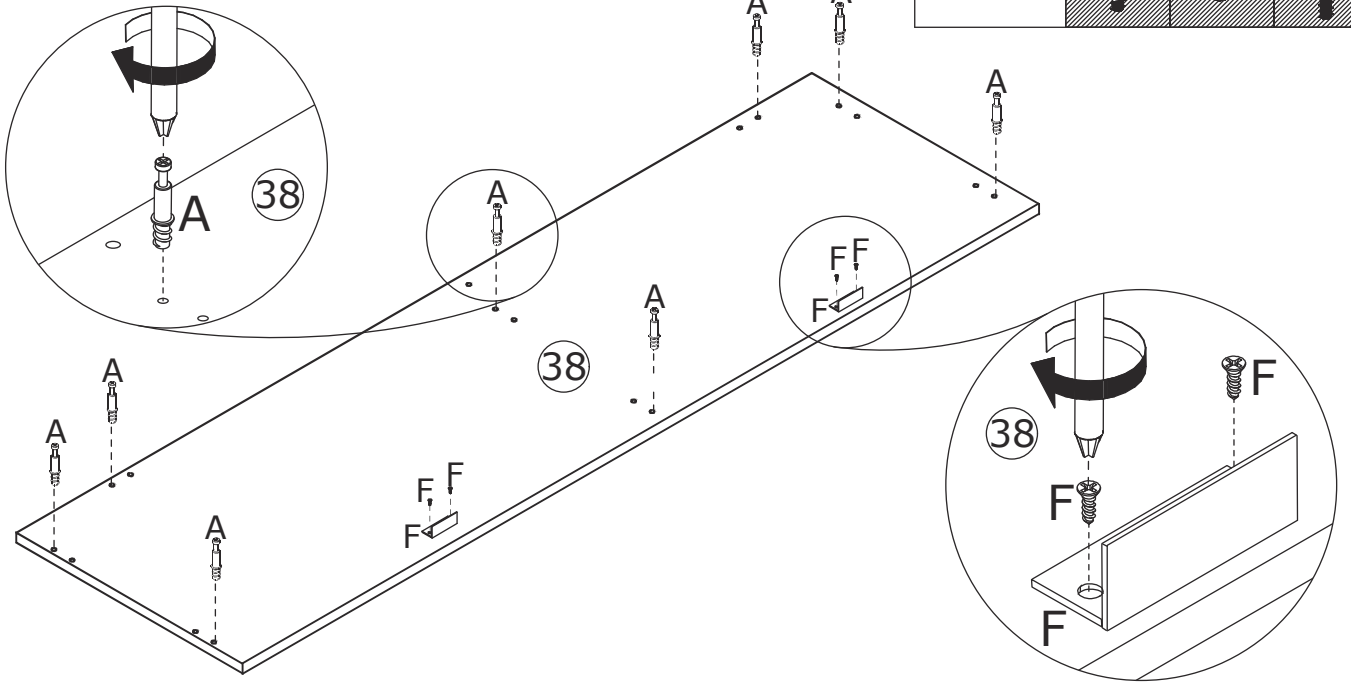
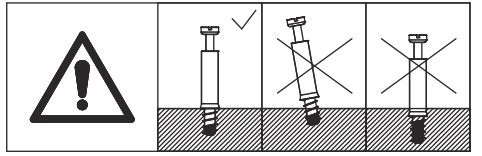
Fix door 32 to board 17 and 19 with screw(H) as shown.



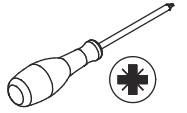
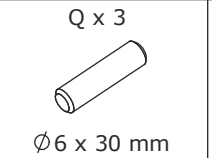
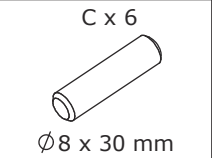
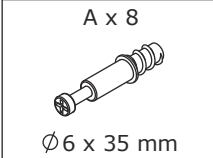
25



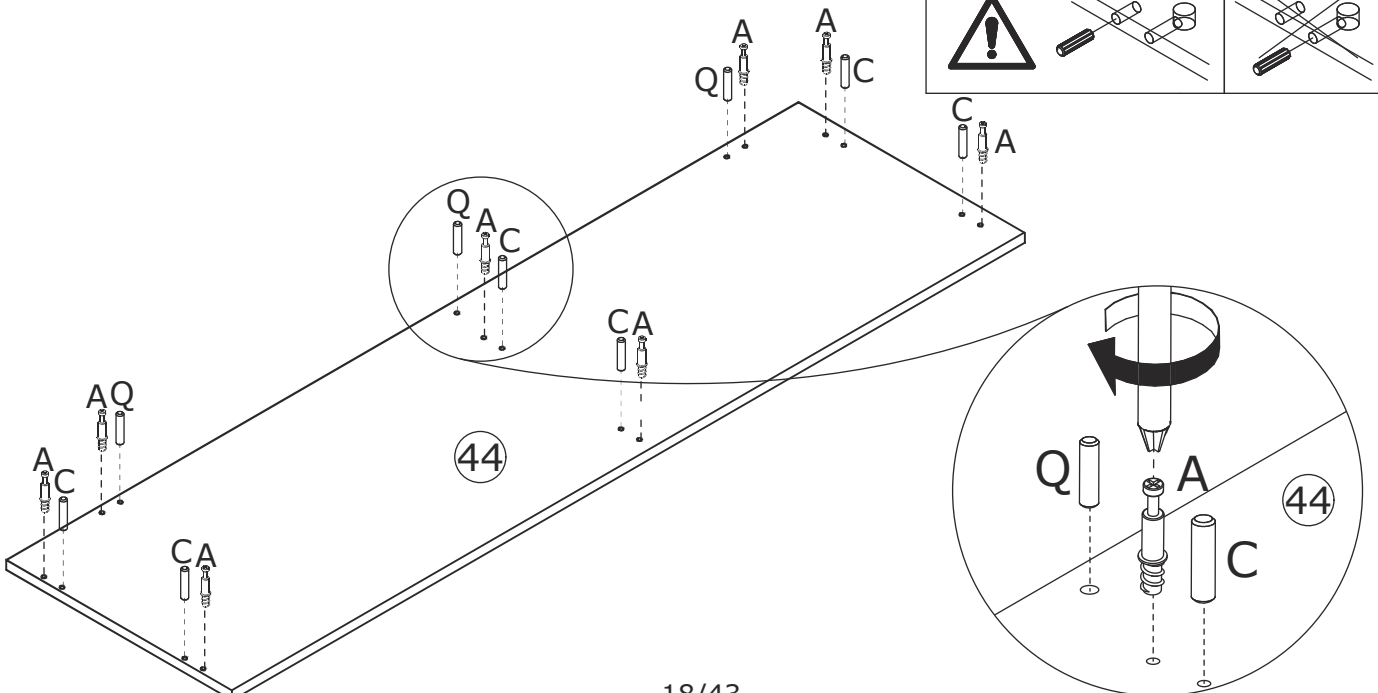
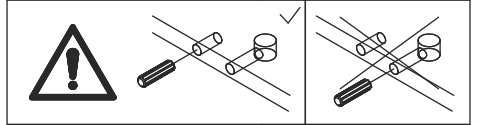
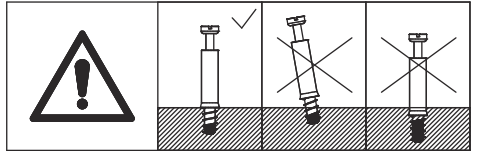
Screw eccentric rod(A) into board 38 as shown.
Fix part(F) to board 38 as shown.



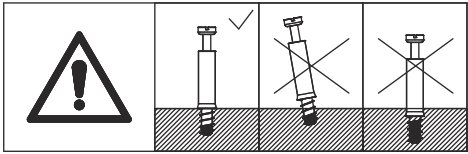
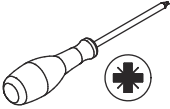
26



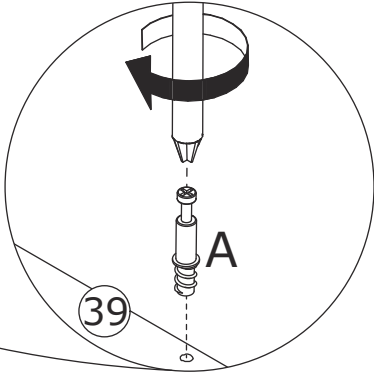
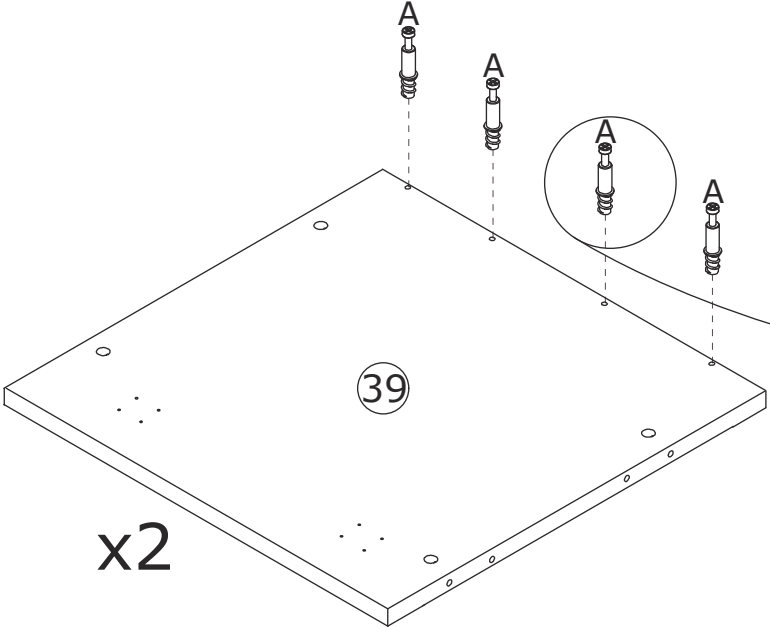
Screw eccentric rod(A) and insert wooden
dowel(C) and (Q) into board 44 as shown.



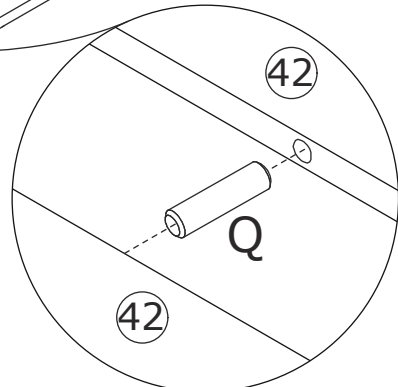
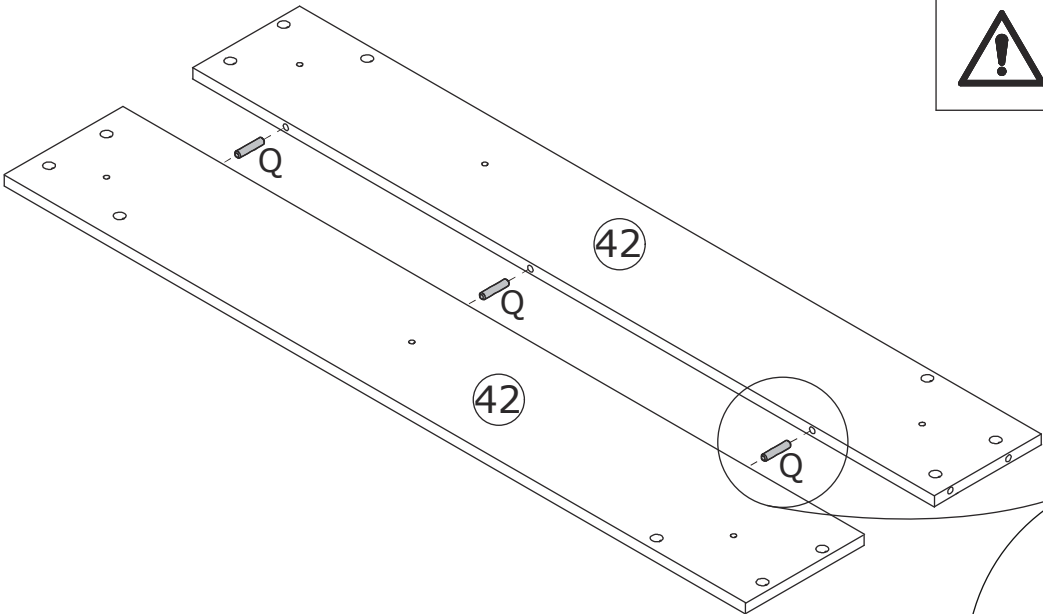
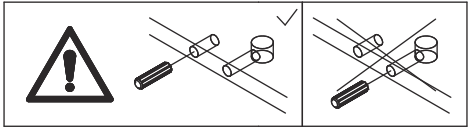
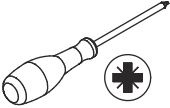
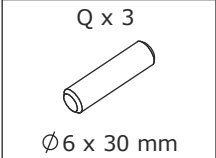
27



Screw eccentric rod(A) into board 39 as shown.



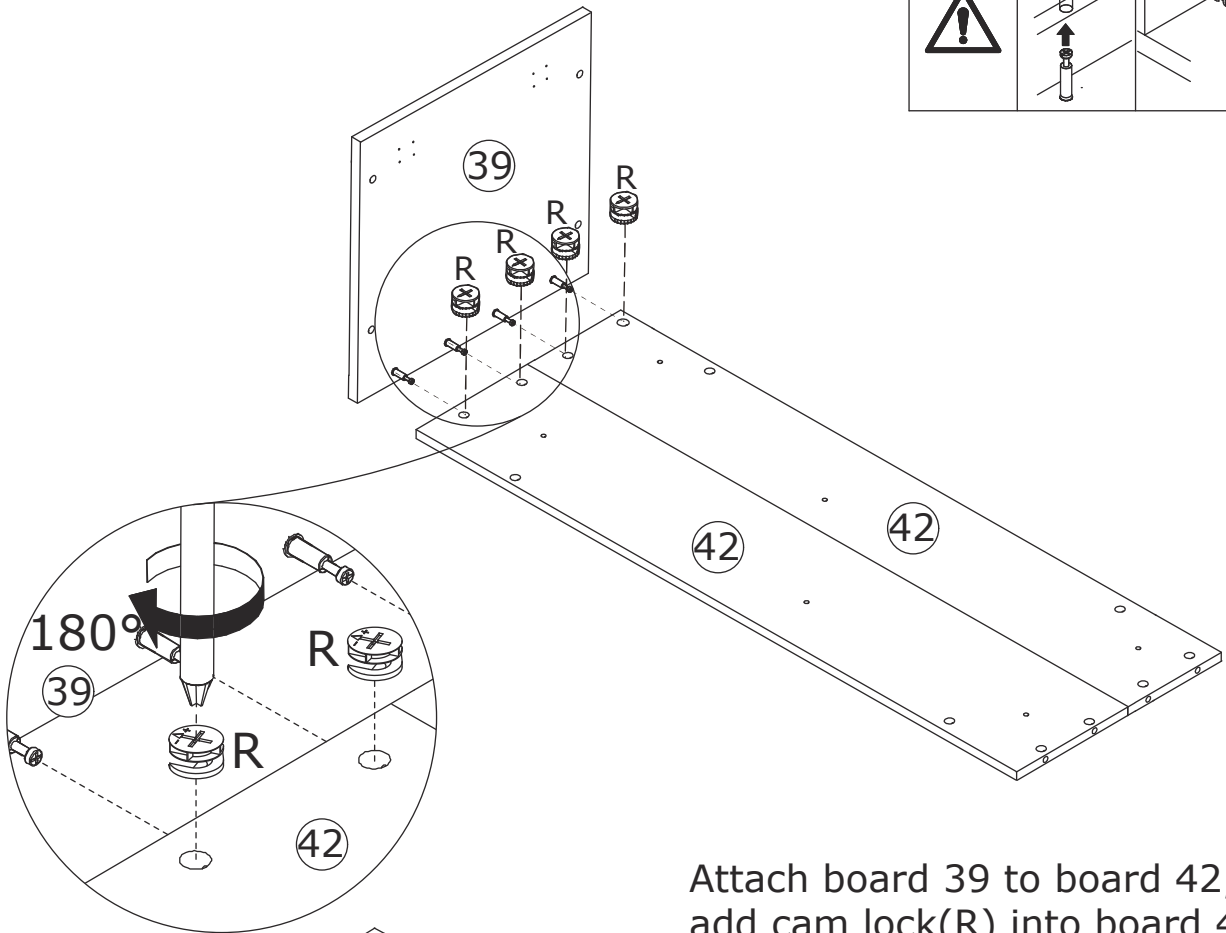
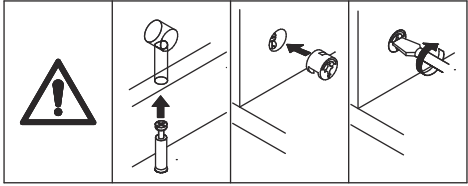
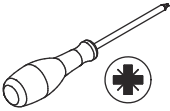
28



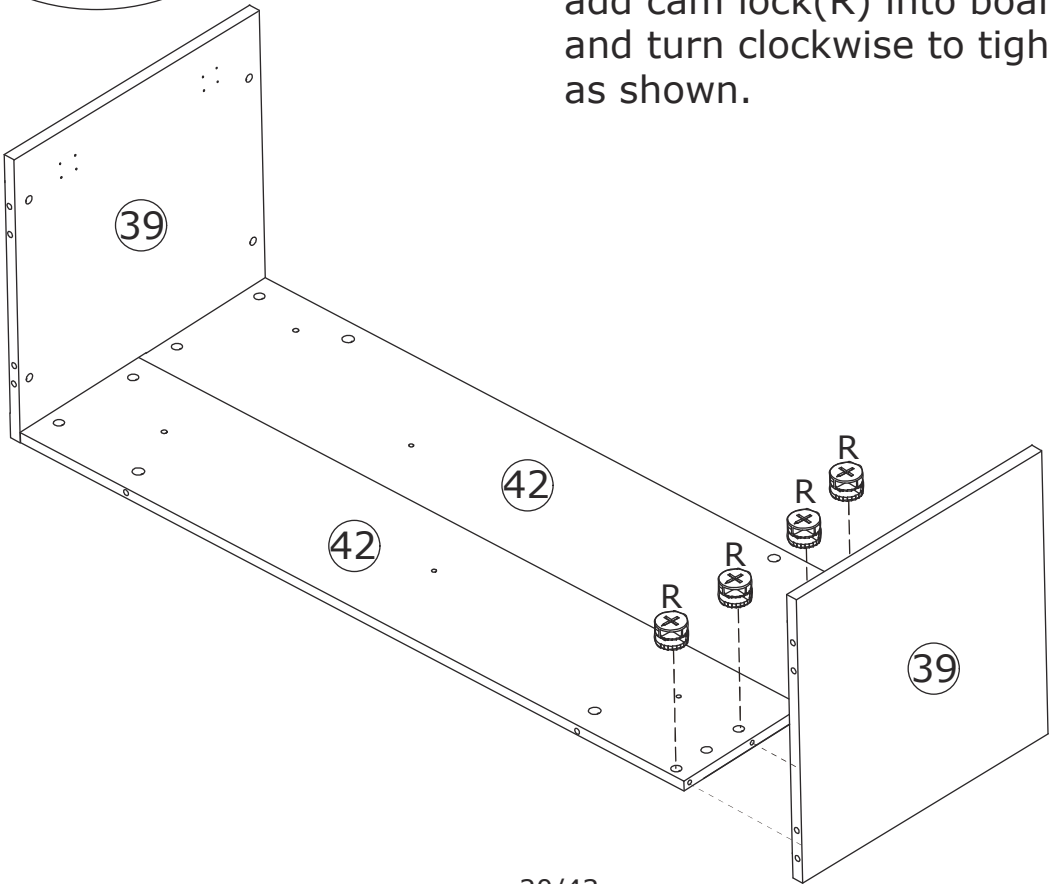
Connect each board 42 with wooden dowel(Q) as shown.

29

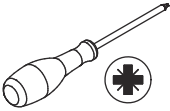
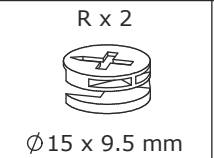
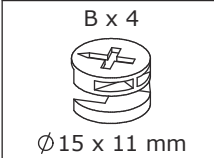
R x 8
Ø 15 x 9.5 mm



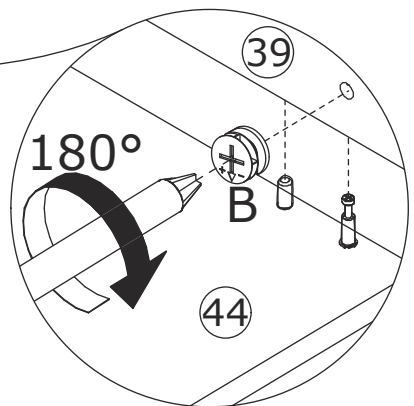
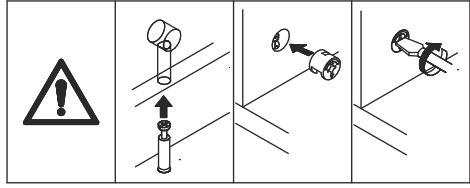
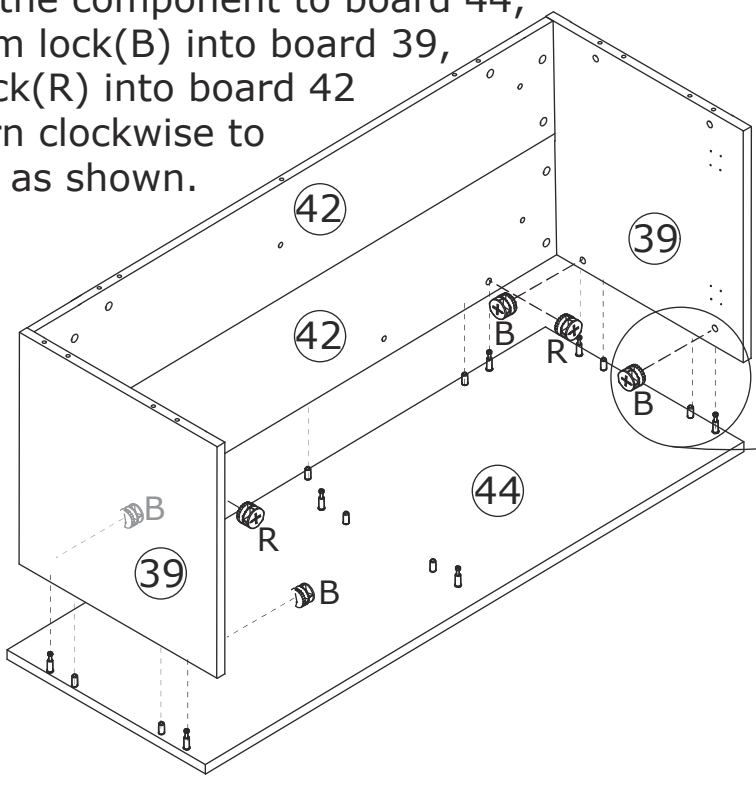
Attach board 39 to board 42, add cam lock(R) into board 42 and turn clockwise to tighten as shown.



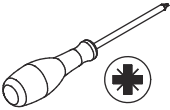
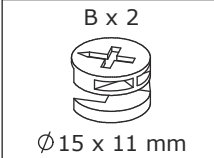
30



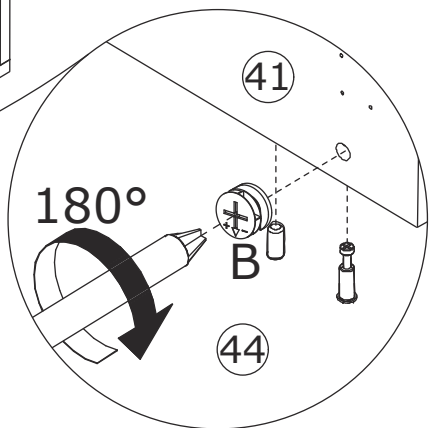
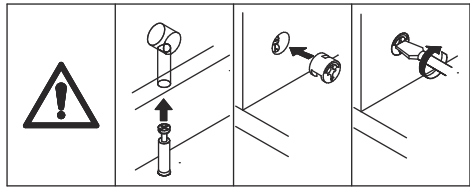
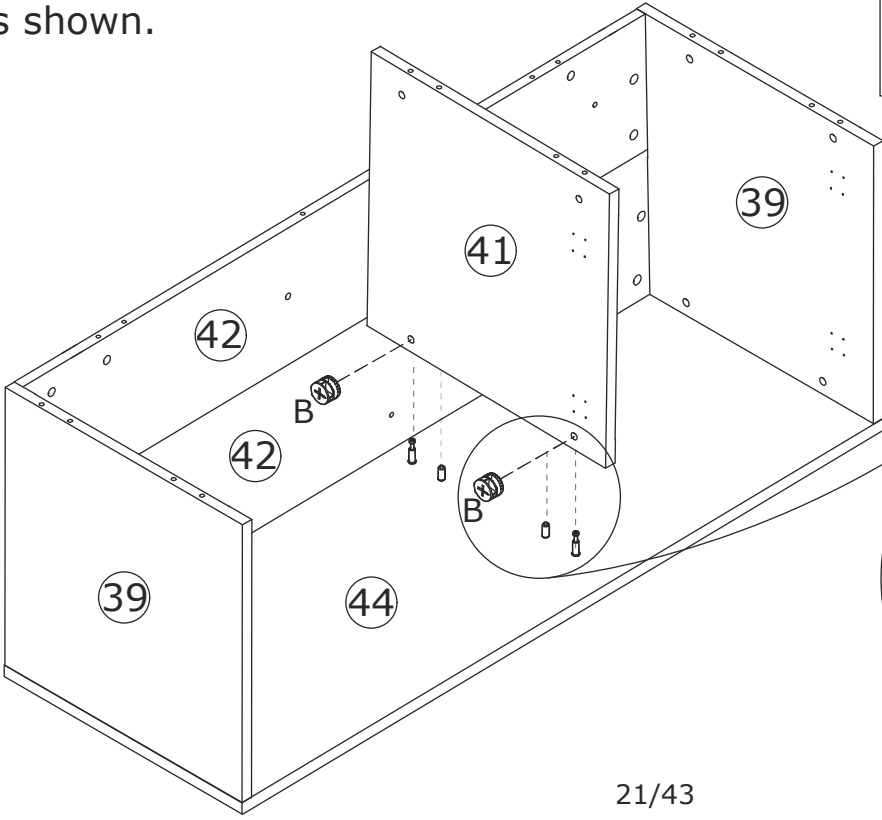
Attach the component to board 44, add cam lock(B) into board 39, cam lock(R) into board 42 and turn clockwise to tighten as shown.




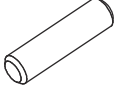
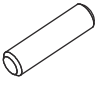

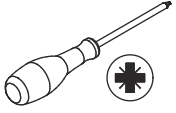
31



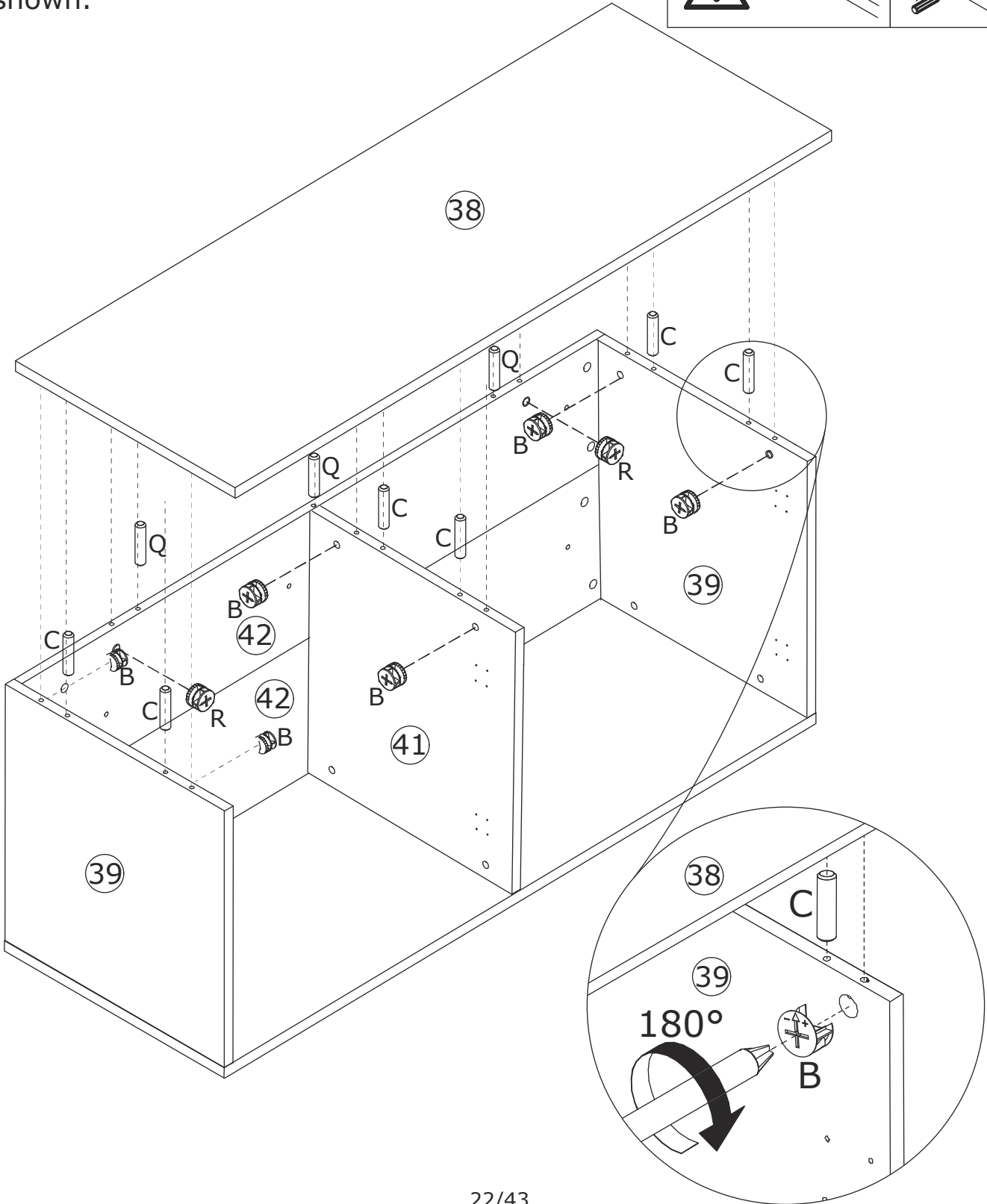
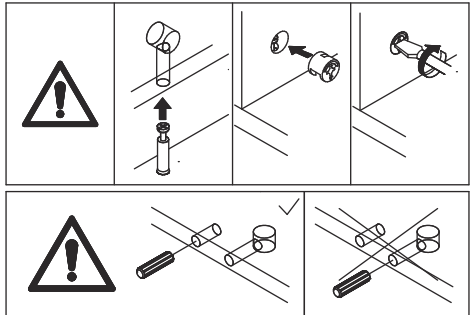
Attach board 41 to board 44, add cam lock(B) into board 41 and turn clockwise to tighten as shown.



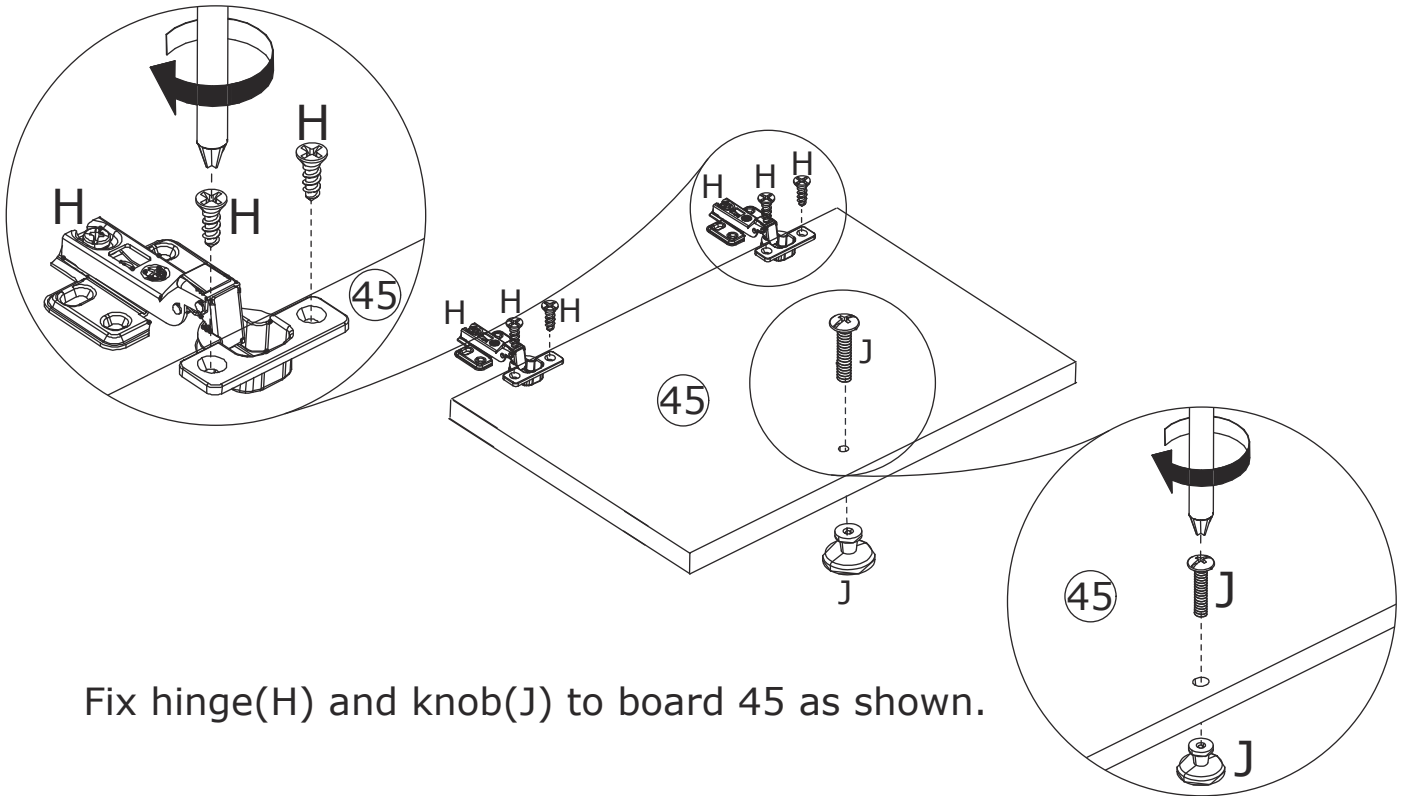
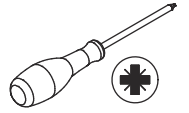
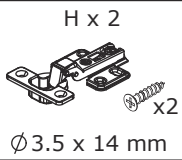
32

 B x 6 Ø 15 x 11 mm	 C x 6 Ø 8 x 30 mm	 Q x 3 Ø 6 x 30 mm	 R x 2 Ø 15 x 9.5 mm	
--	---	---	--	---

Insert wooden dowel(C) into board 39 and 41, wooden dowel(Q) into board 42 at first. Attach board 38 to the component, add cam lock(B) into board 39,41, cam lock(R) into board 42 and turn clockwise to tighten as shown.

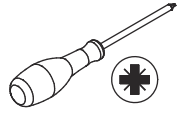
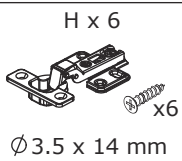


33

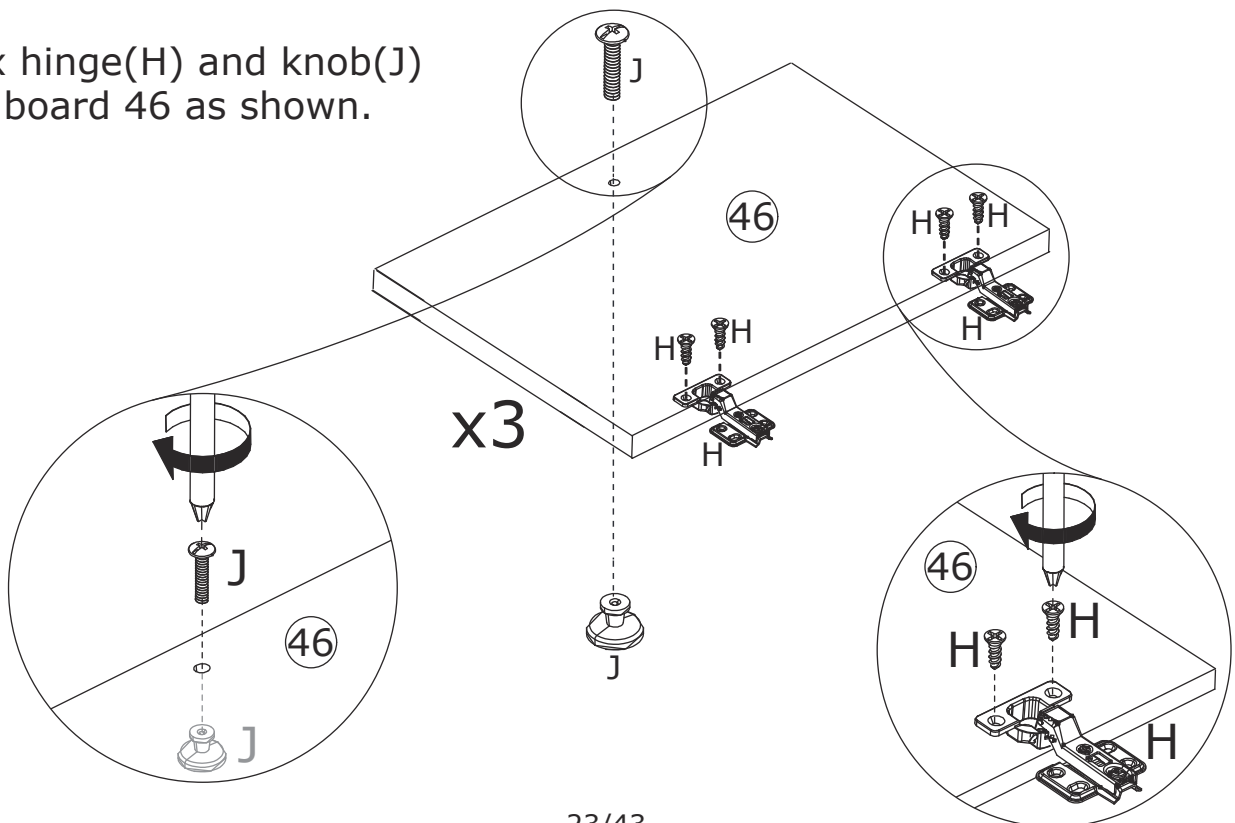


Fix hinge(H) and knob(J) to board 45 as shown.

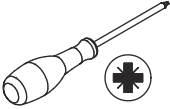
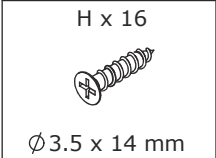
34



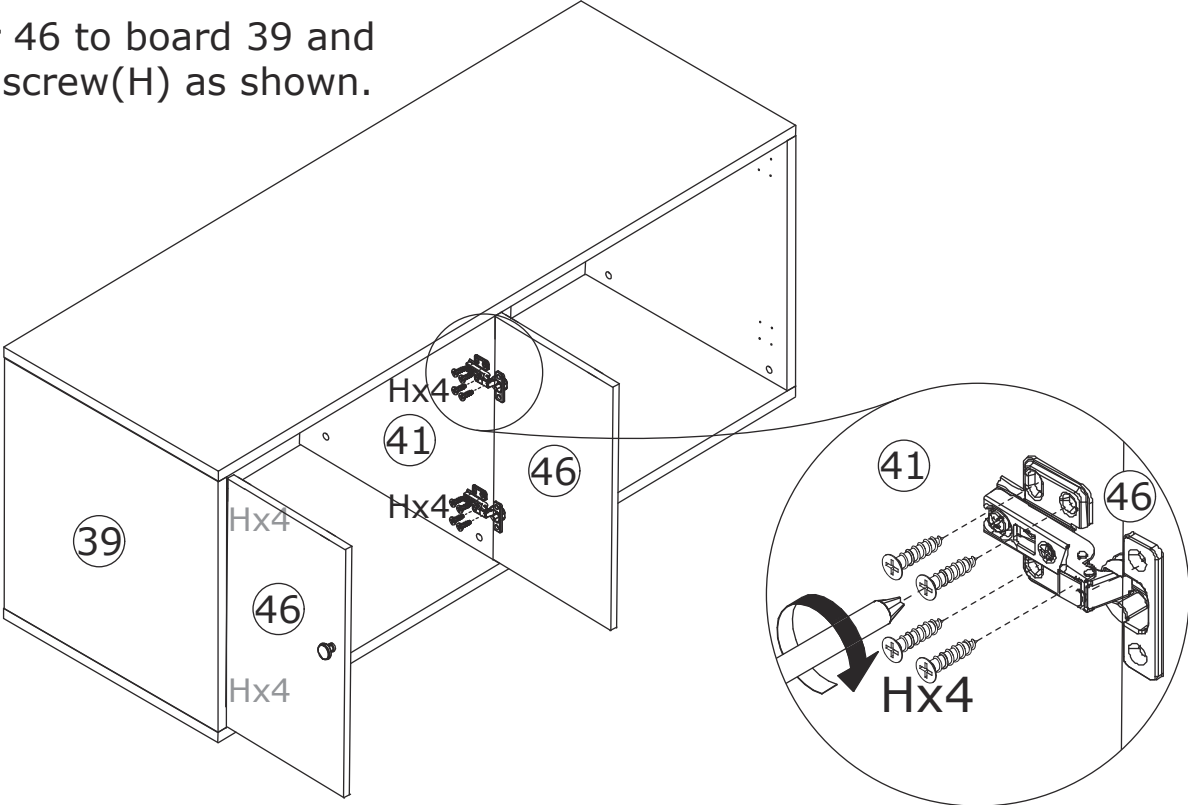
Fix hinge(H) and knob(J) to board 46 as shown.



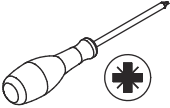
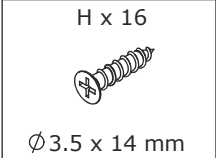
35



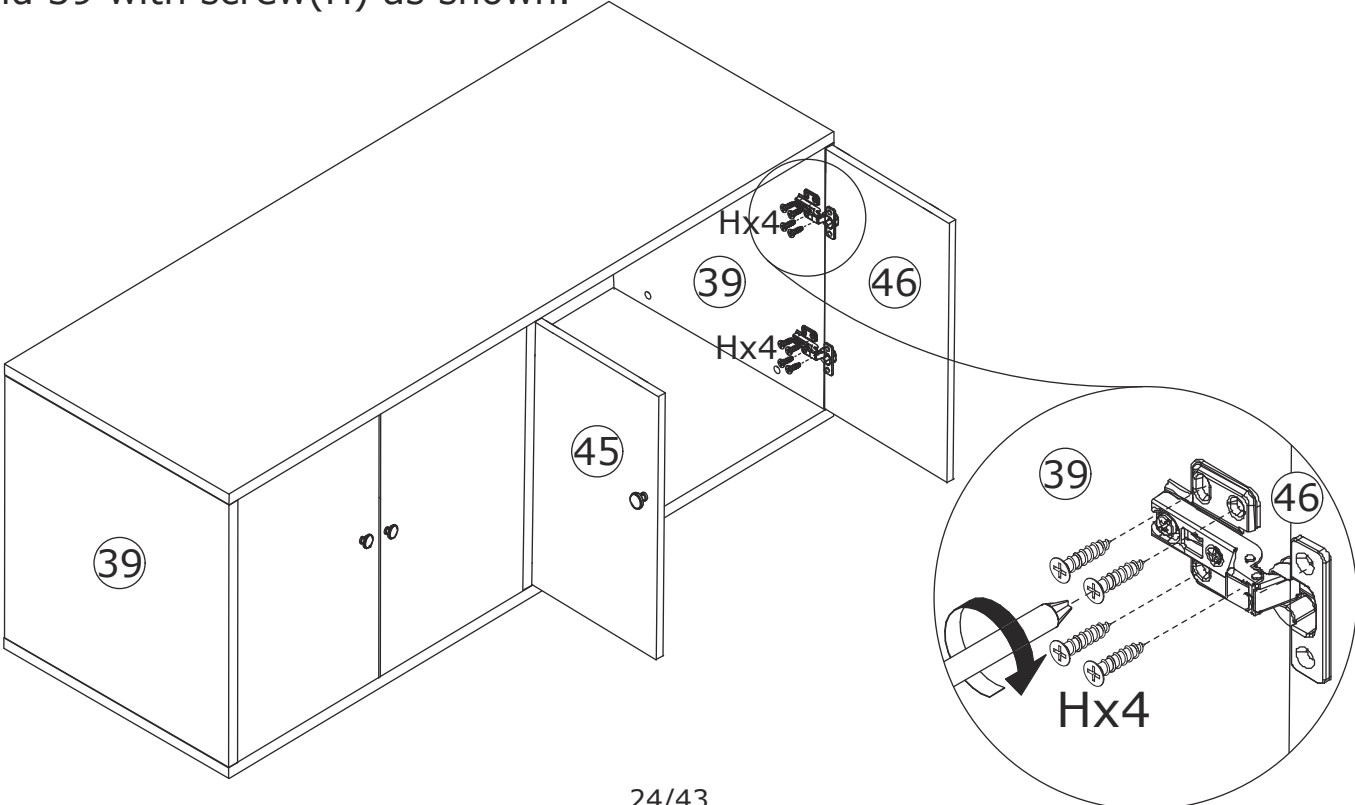
Fix door 46 to board 39 and 41 with screw(H) as shown.



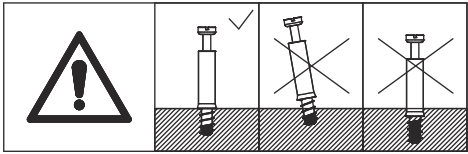
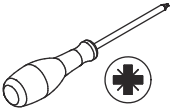
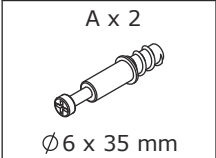
36



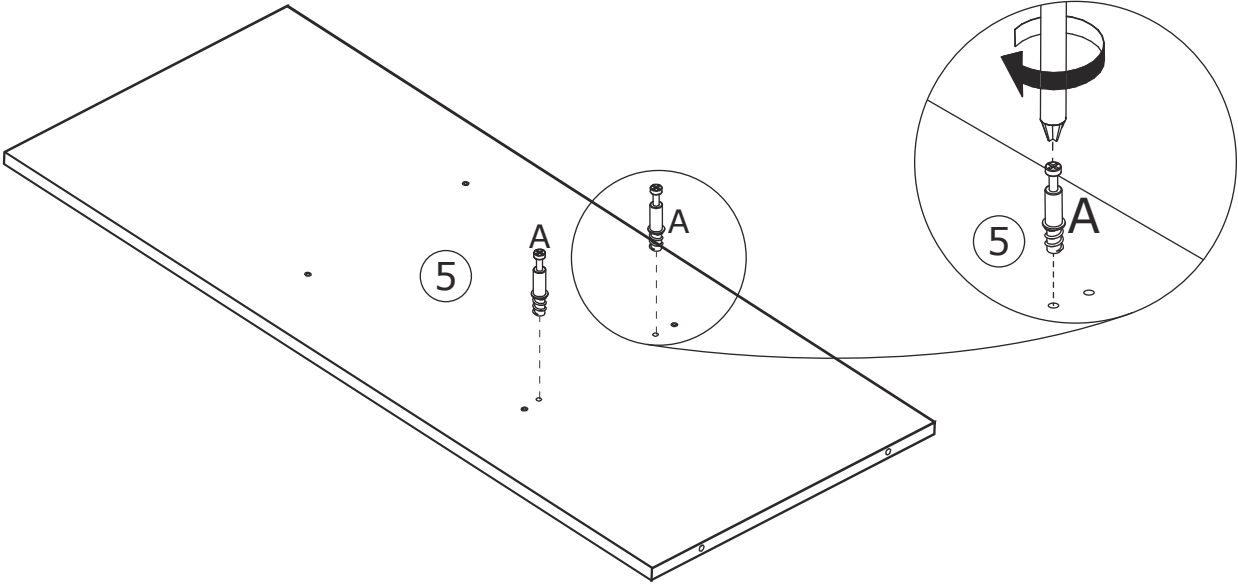
Fix door 45 and 46 to board 41 and 39 with screw(H) as shown.



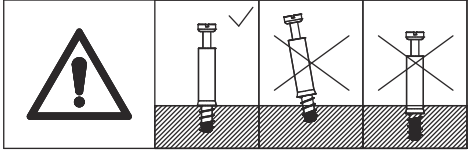
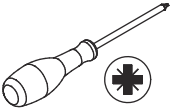
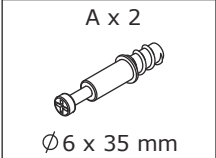
37



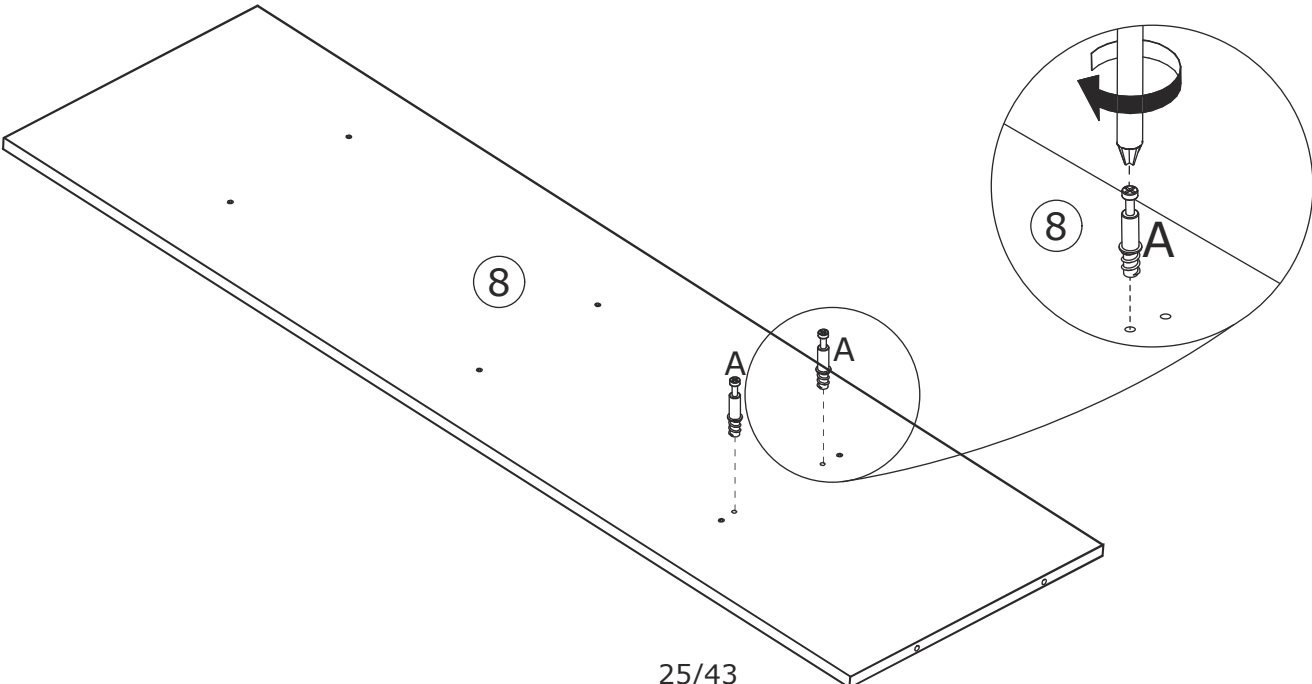
Screw eccentric rod(A) into board 5 as shown.



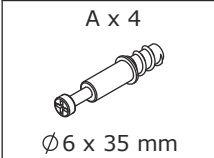
38



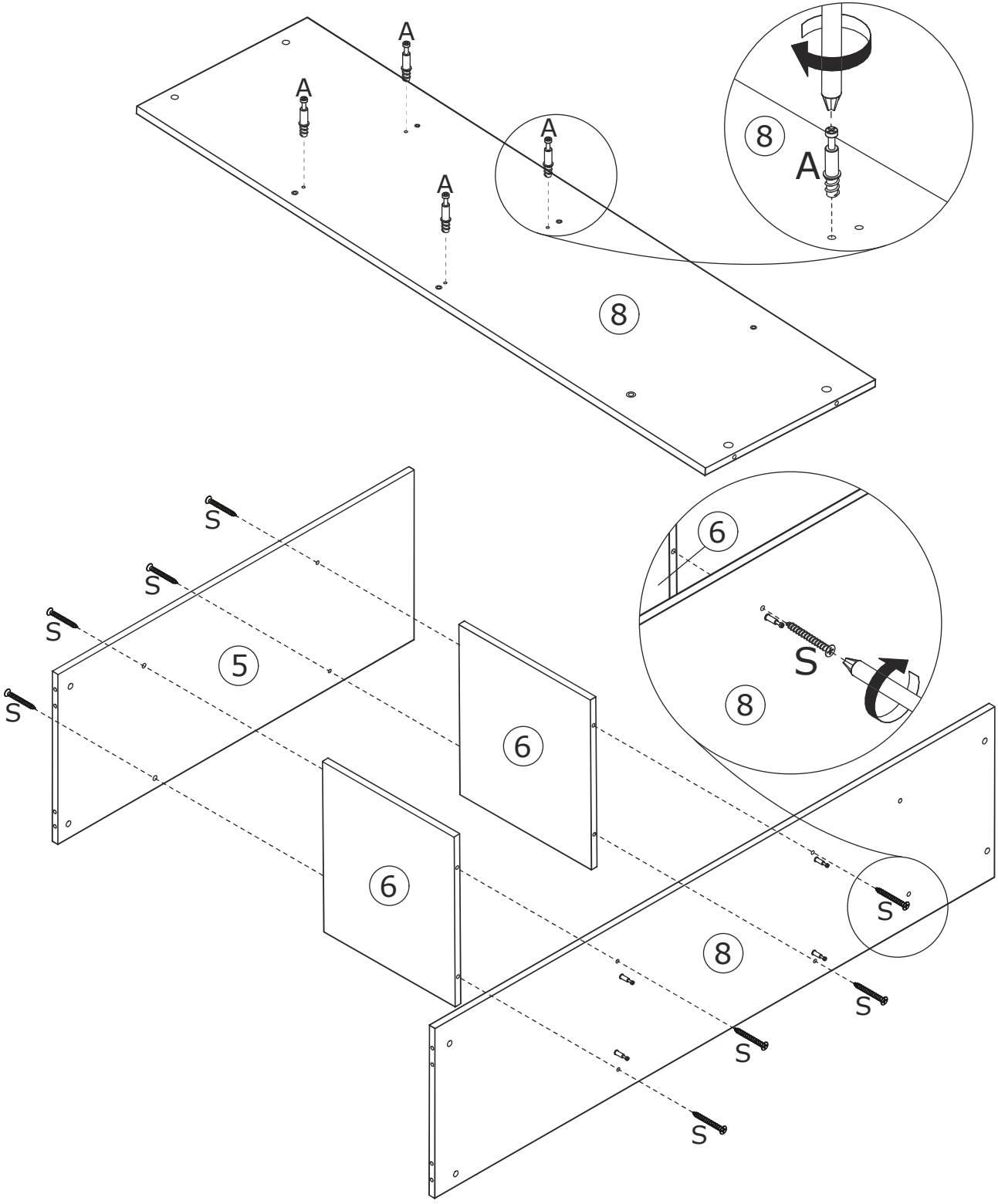
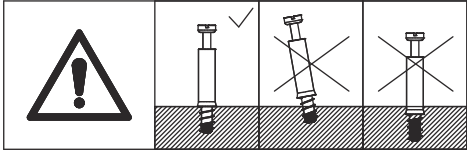
Screw eccentric rod(A) into board 8 as shown.



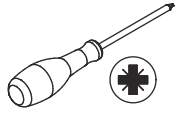
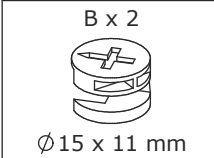
39



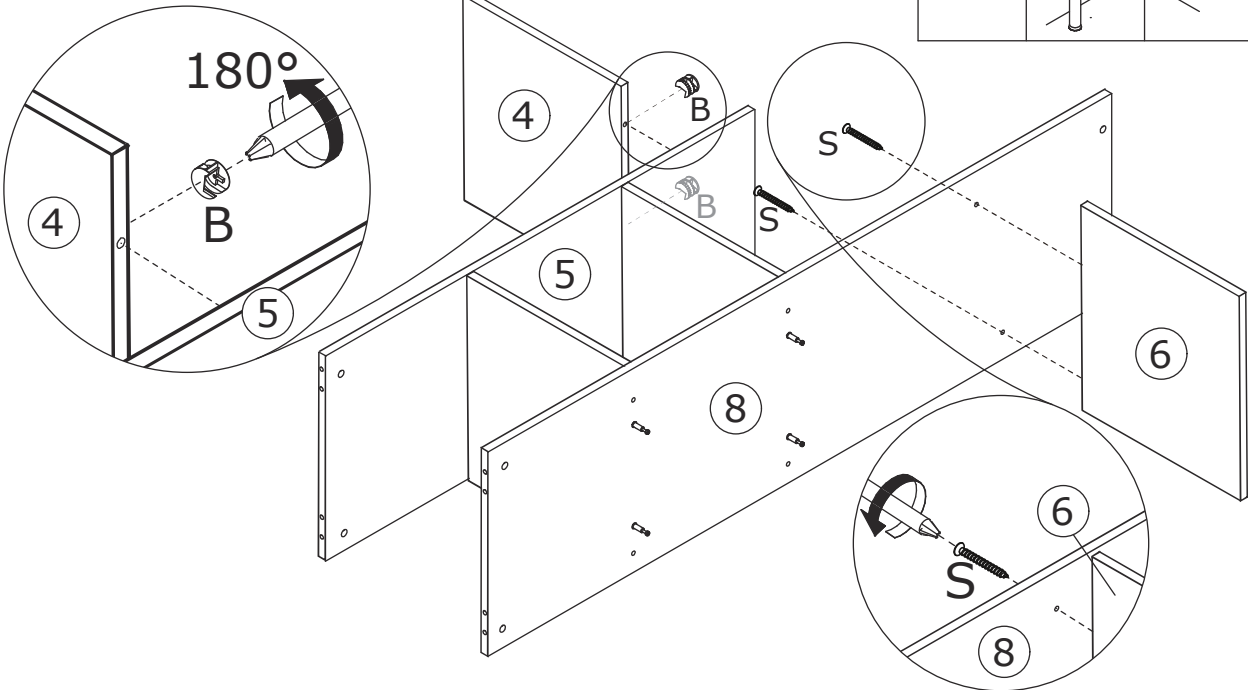
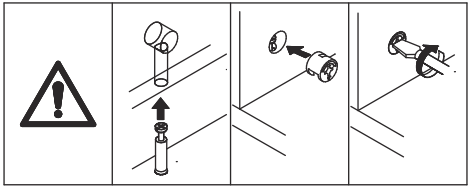
Flip board 8 to back, screw eccentric rod(A) into board 8 as shown.
Fix board 5 and 8 to board 6 with screw(S) as shown.



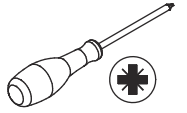
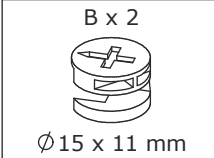
40



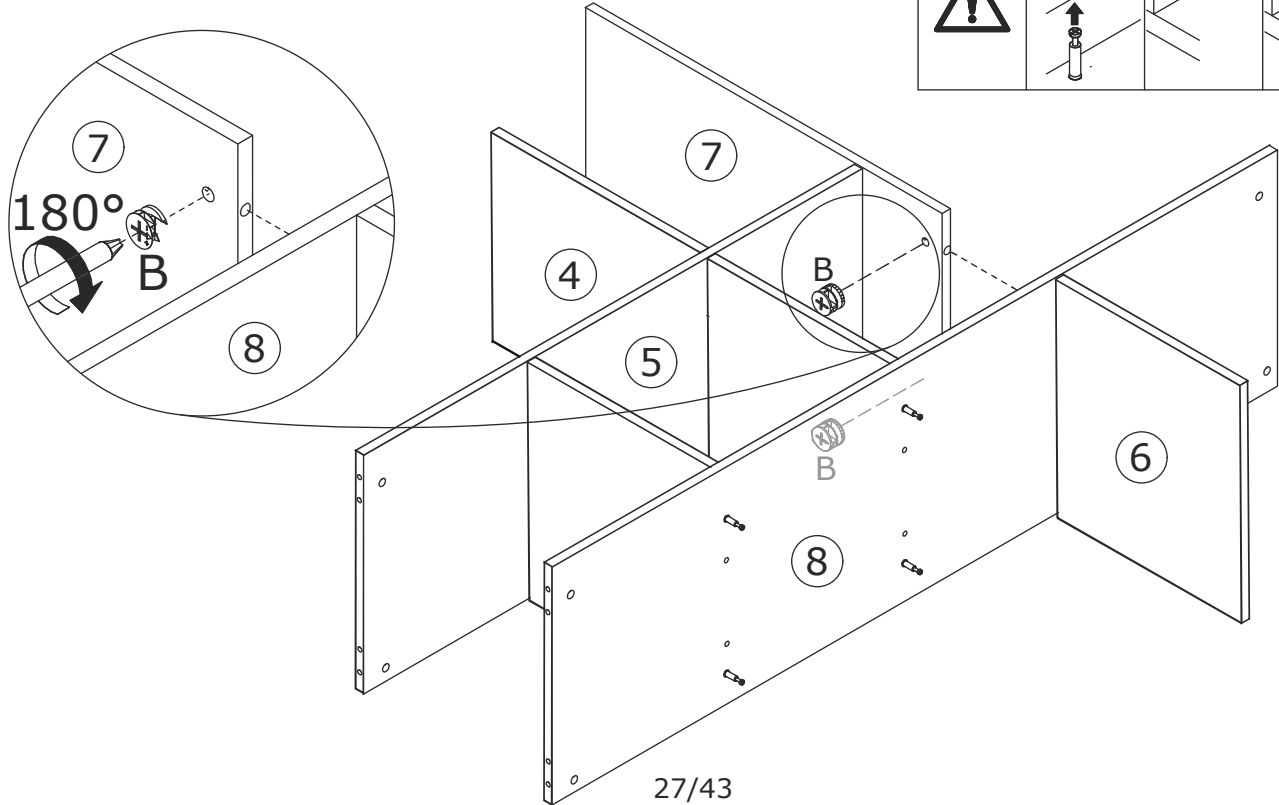
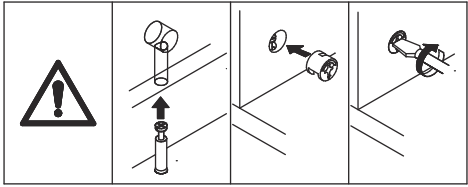
Fix board 6 to board 8 with screw(S) as shown. Attach board 4 to board 5, add cam lock(B) into board 4 and turn clockwise to tighten as shown.



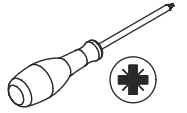
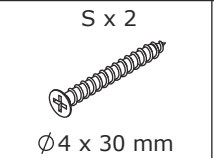
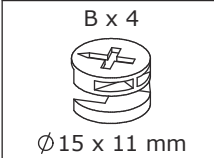
41



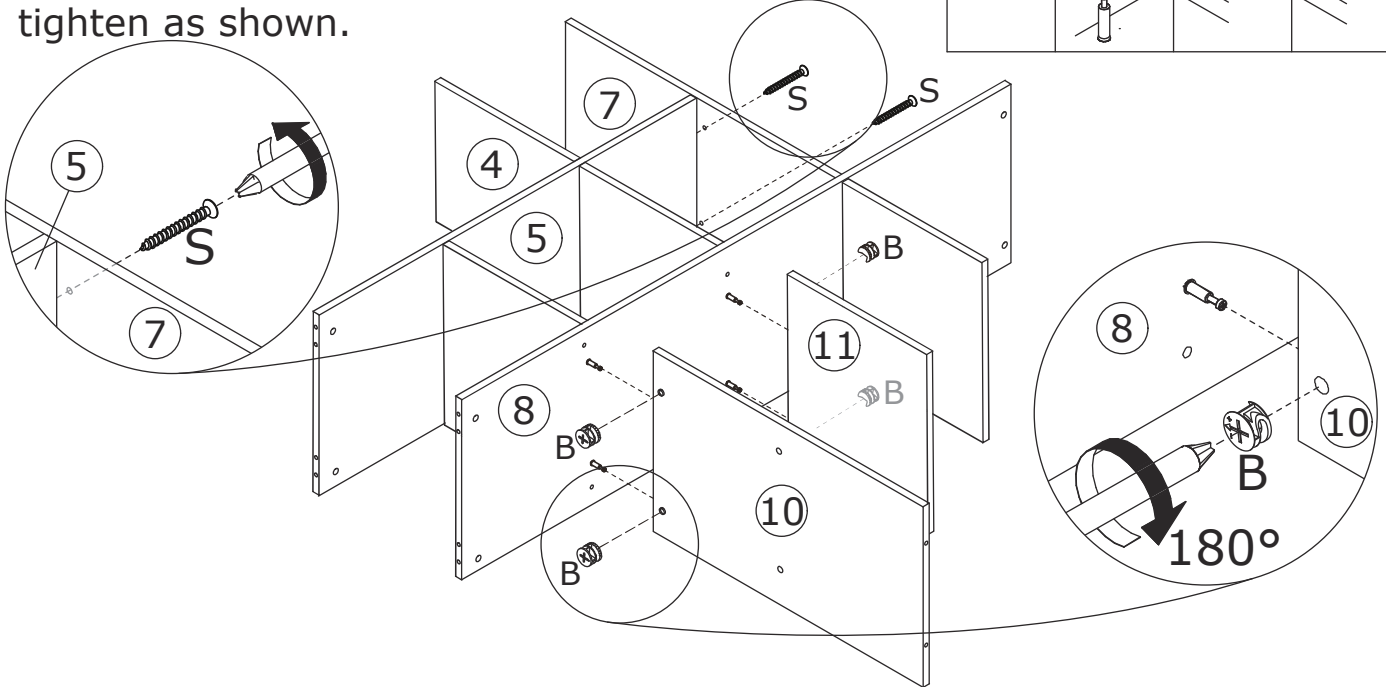
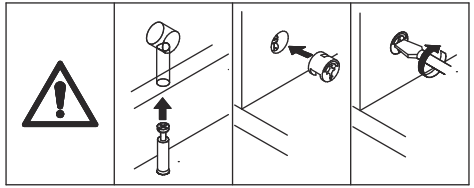
Attach board 7 to board 8, add cam lock(B) into board 7 and turn clockwise to tighten as shown.



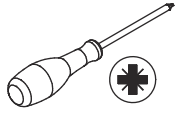
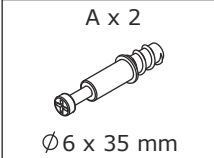
42



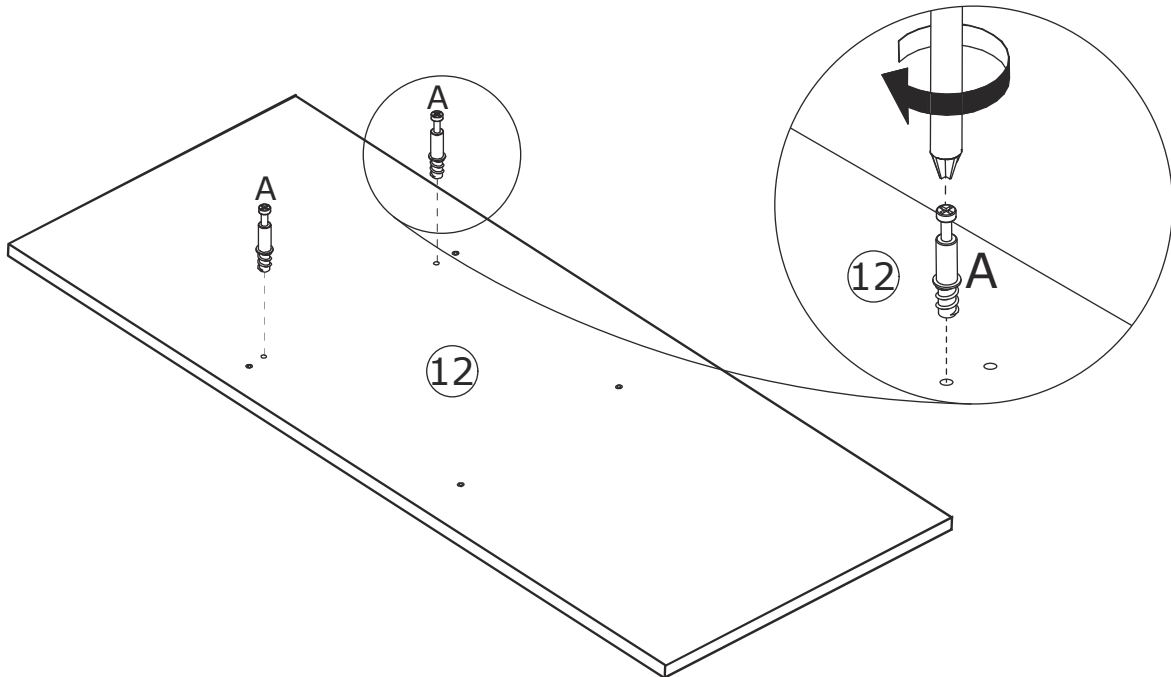
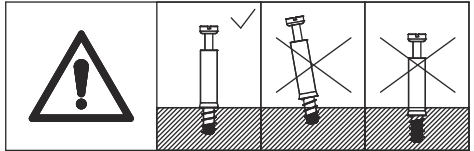
Fix board 7 to board 5 with screw(S) as shown. Attach board 10 and 11 to board 8, add cam lock(B) into board 10,11 and turn clockwise to tighten as shown.



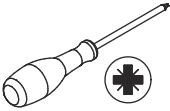
43



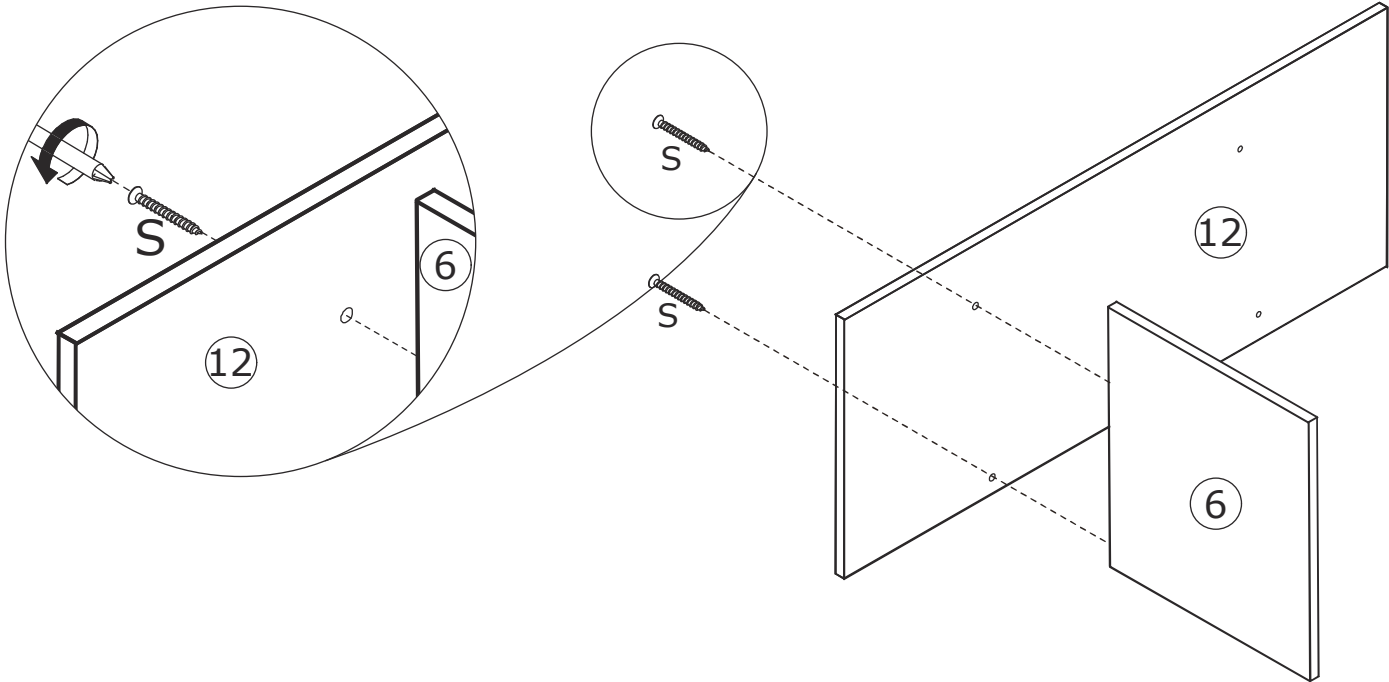
Screw eccentric rod(A) into board 12 as shown.



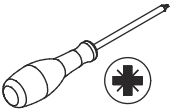
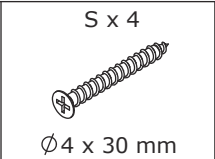
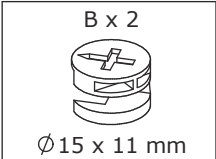
44



Fix board 6 to board 12 with screw(S) as shown.

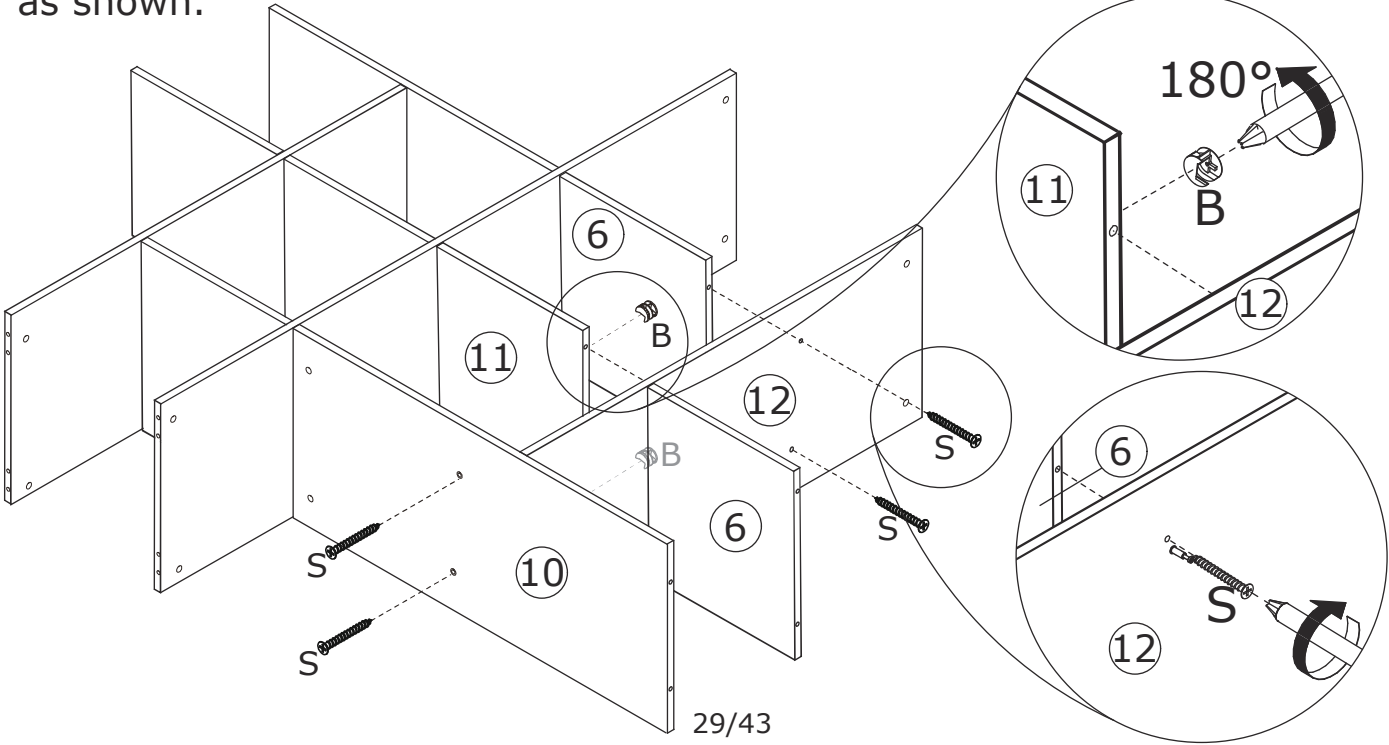
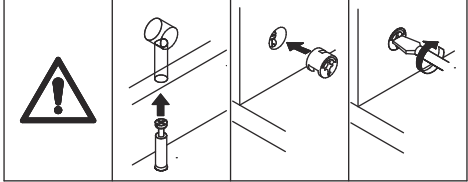


45




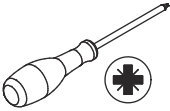
Fix board 12 to board 6 and 10 with screw(S) as shown.

Attach board 12 to board 11, add cam lock(B) into board 11 and turn clockwise to tighten as shown.

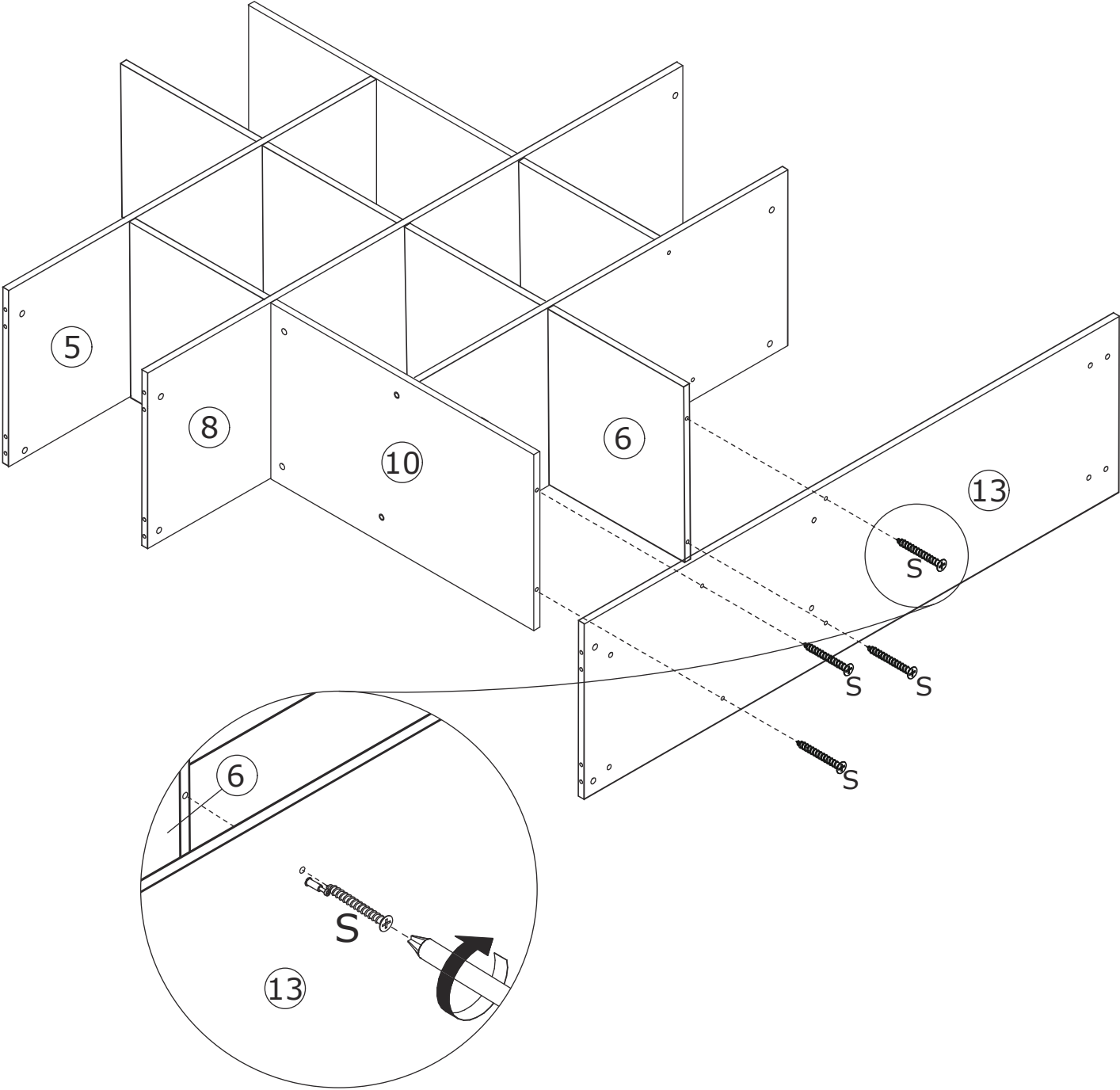


46

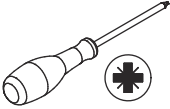
S x 4

Ø4 x 30 mm



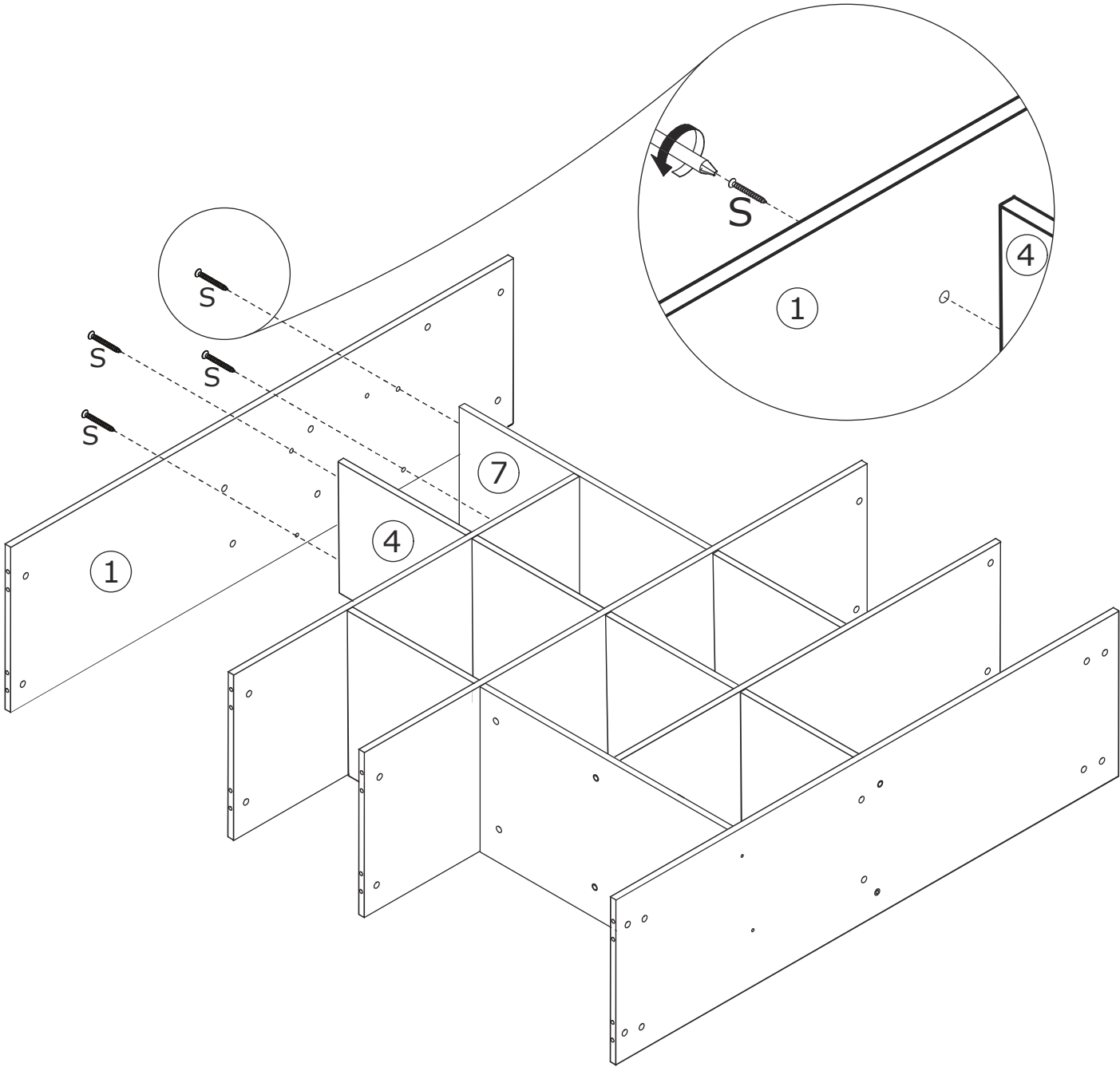
Fix board 13 to board 6 and 10 with screw(S) as shown.



47

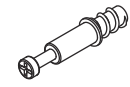


Fix board 1 to board 4 and 7 with screw(S) as shown.

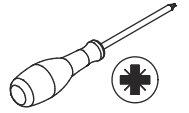


48

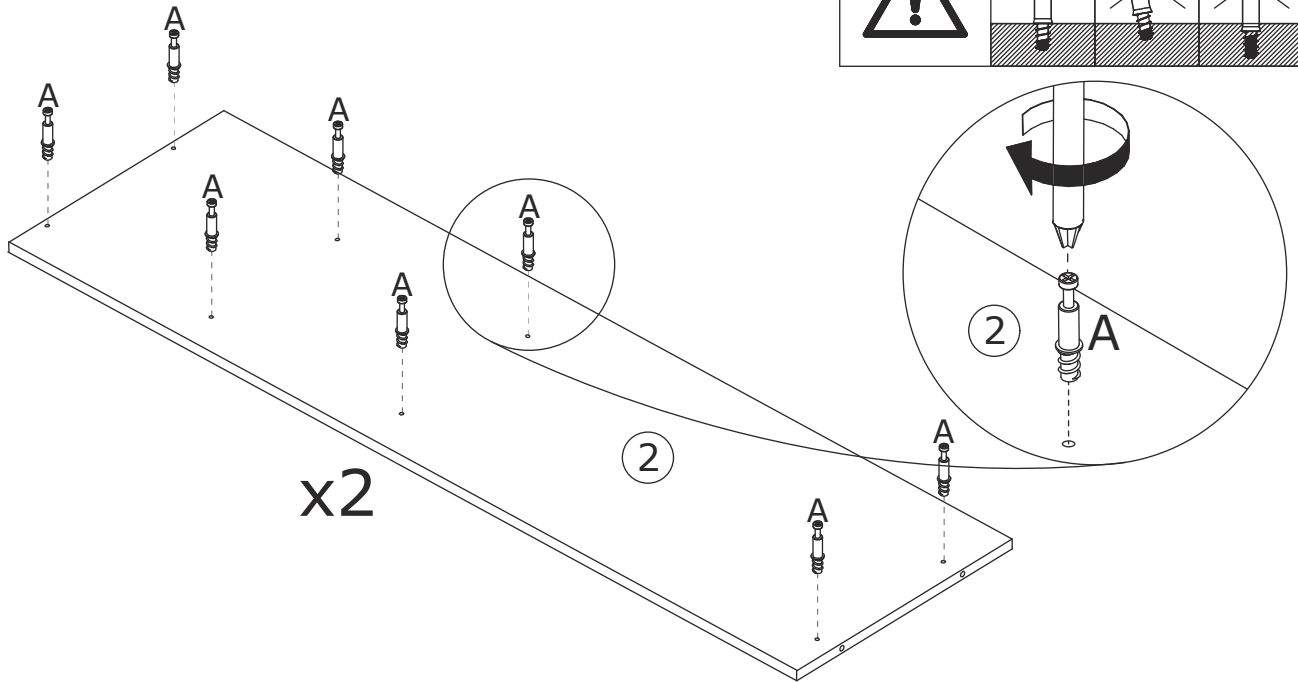
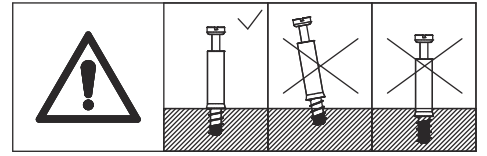
A x 16



∅6 x 35 mm



Screw eccentric rod(A) into board 2 as shown.

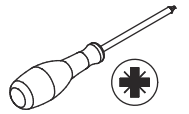


49

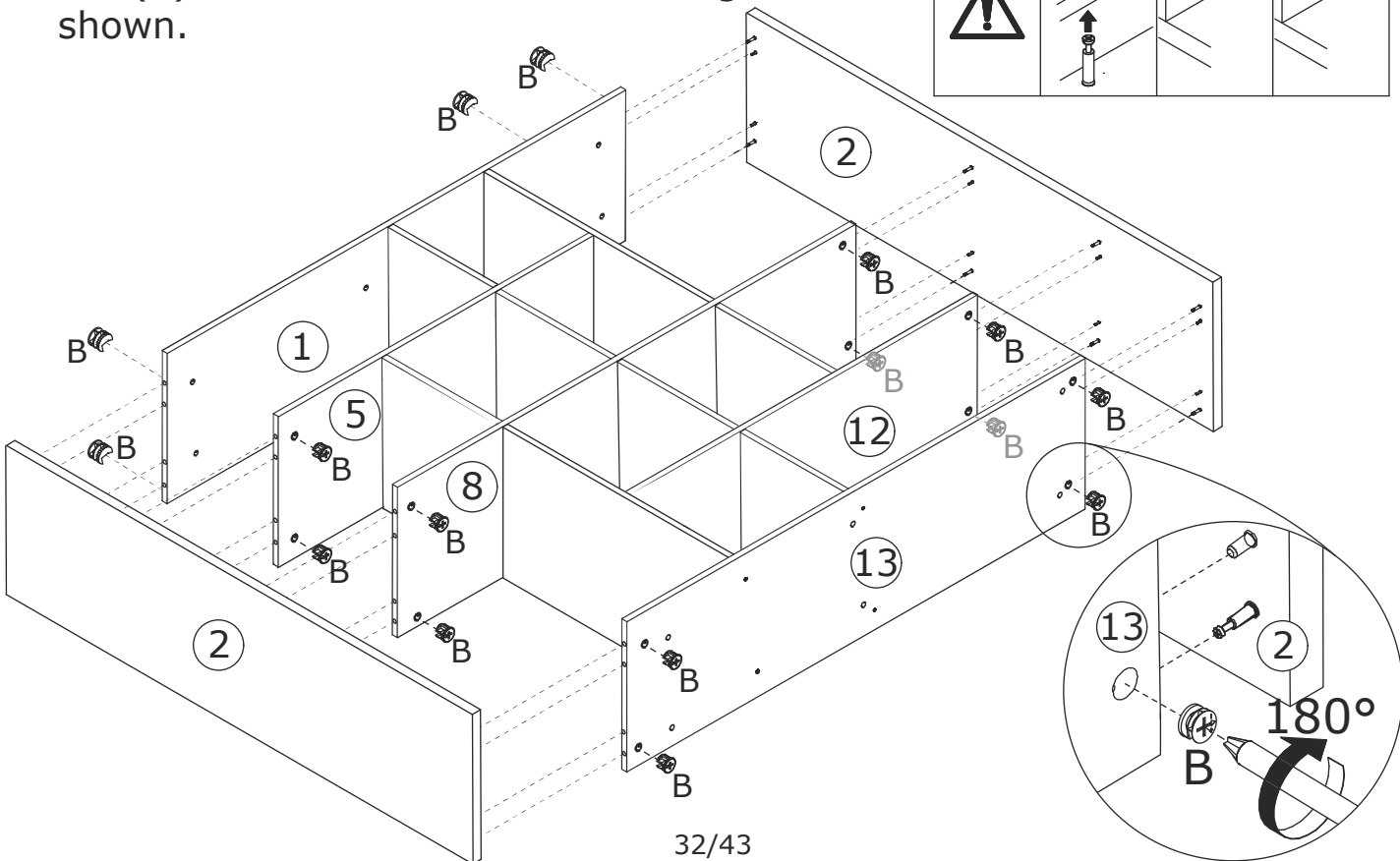
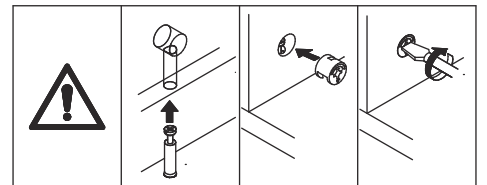
B x 16



∅15 x 11 mm



Connect board 2 to the component, add cam lock(B) into and turn clockwise to tighten as shown.

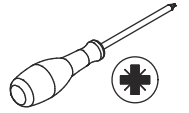


50

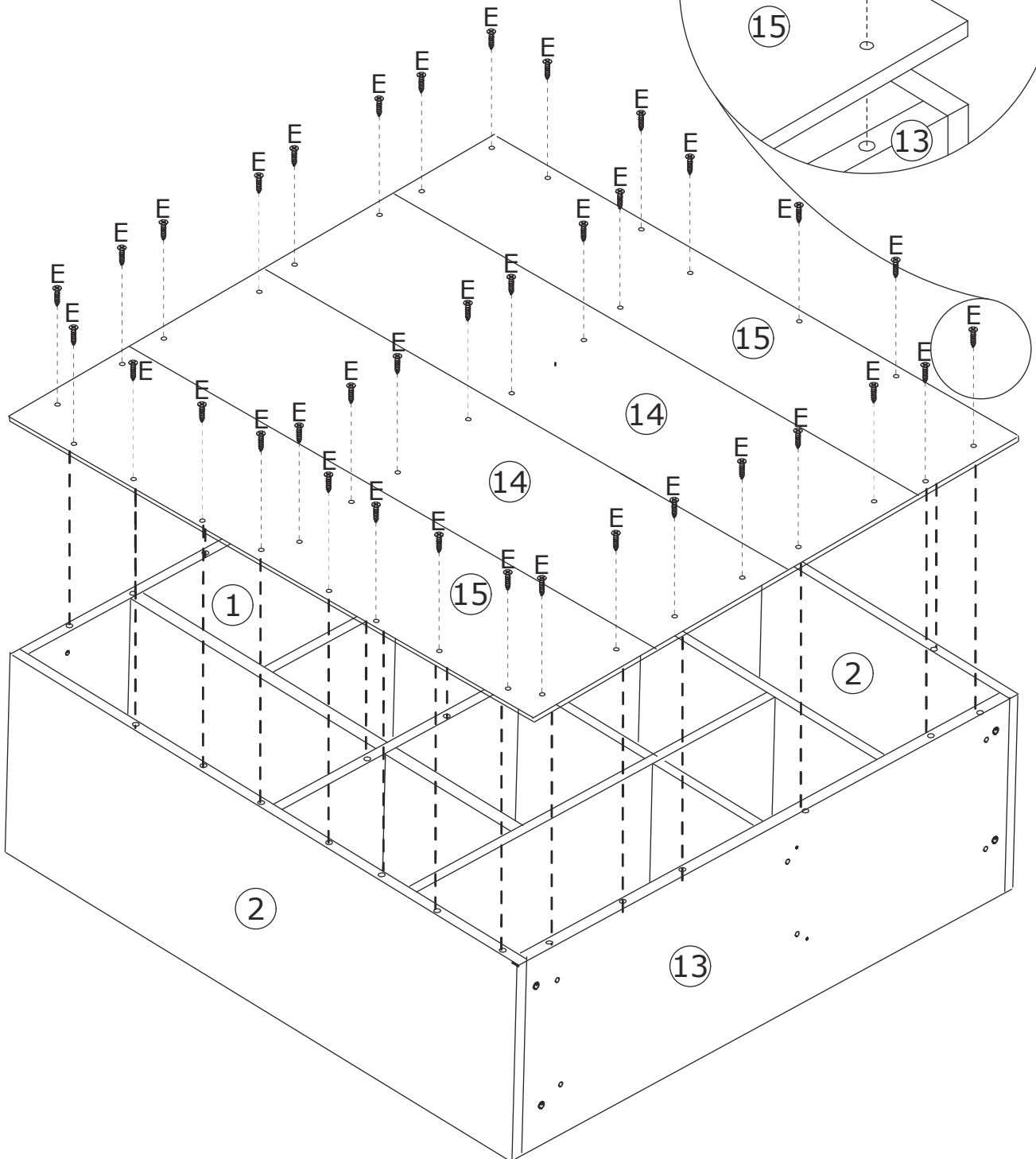
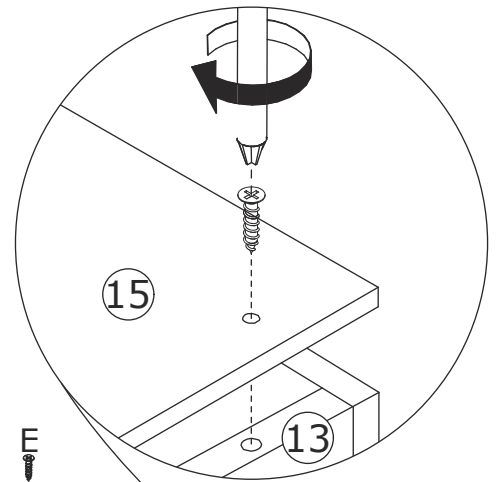
E x 32



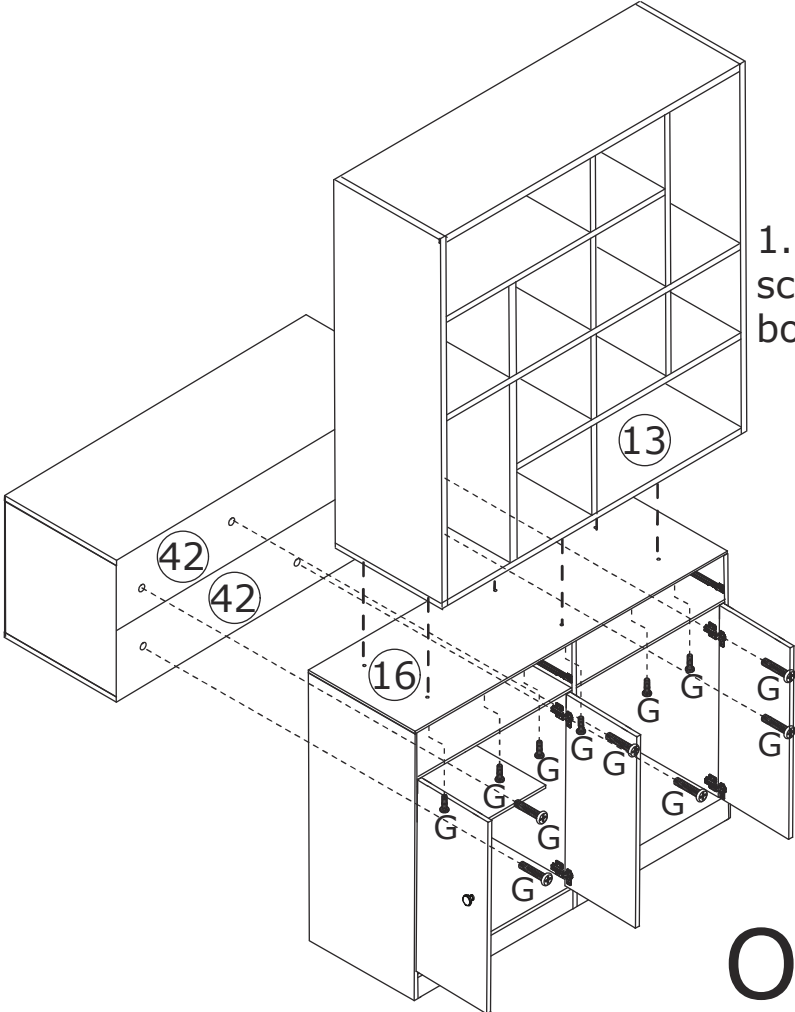
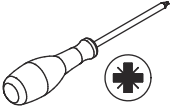
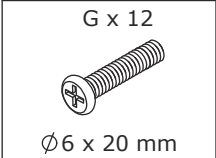
Ø3 x 12 mm



Fix back board 14 and 15 to back with screw(E) as shown.

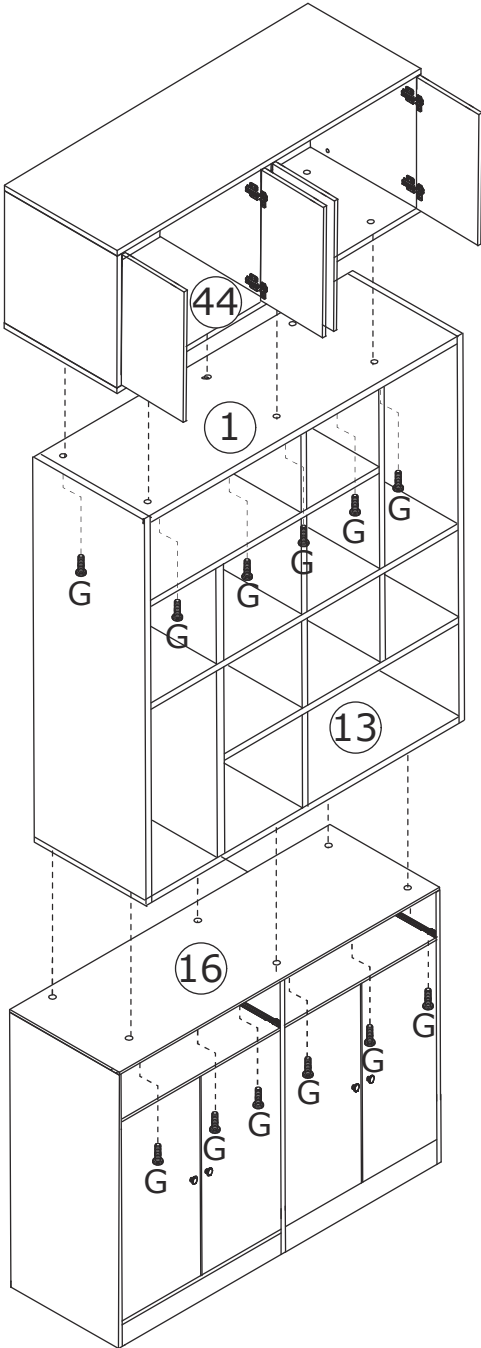


51



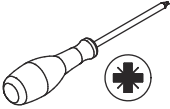
1. Fix board 42 to board 28 with screw(G) and fix board 13 to board 16 with screw(G) as shown.

OR

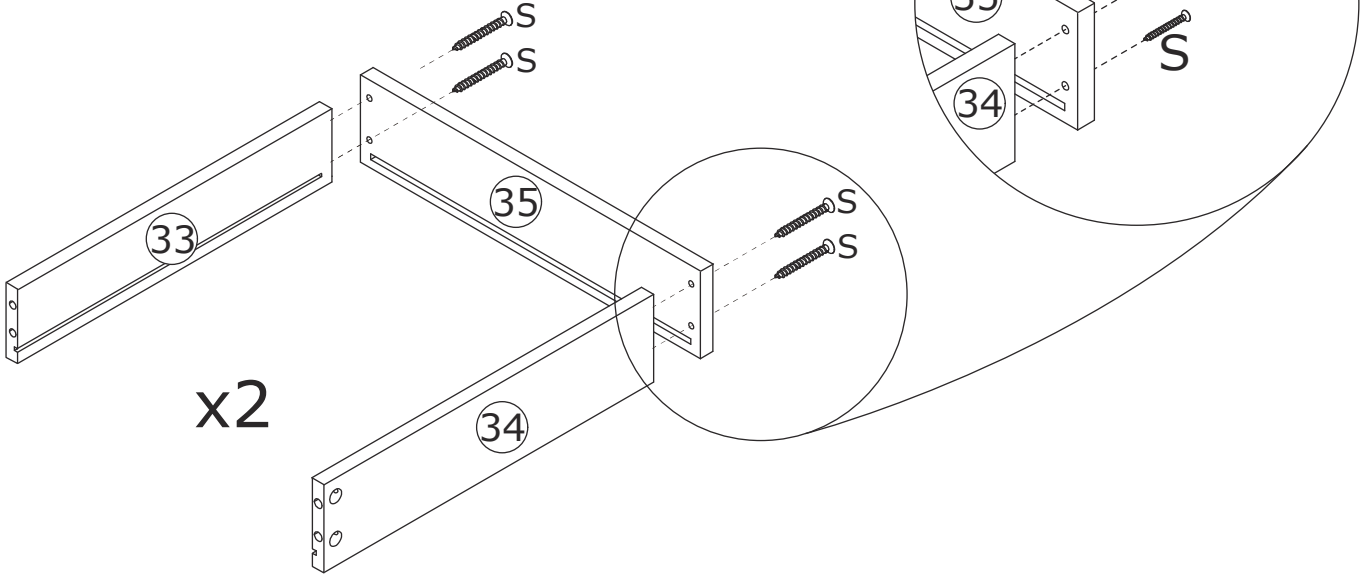


2. Fix board 44 to board 1 with screw(G) and fix board 13 to board 16 with screw(G) as shown.

52

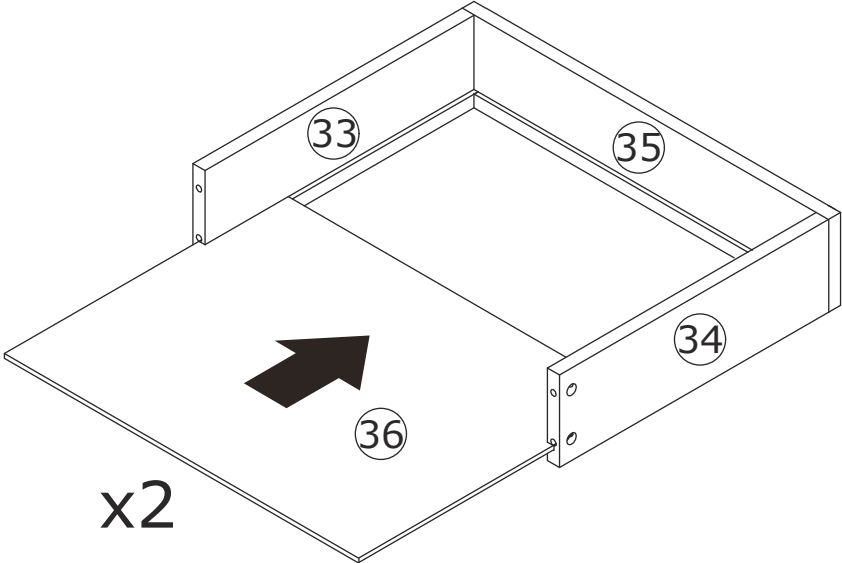


Fix board 35 to board 33 and 34 with screw(S) as shown.

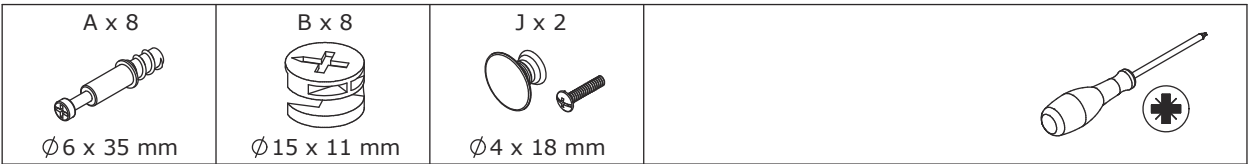


53

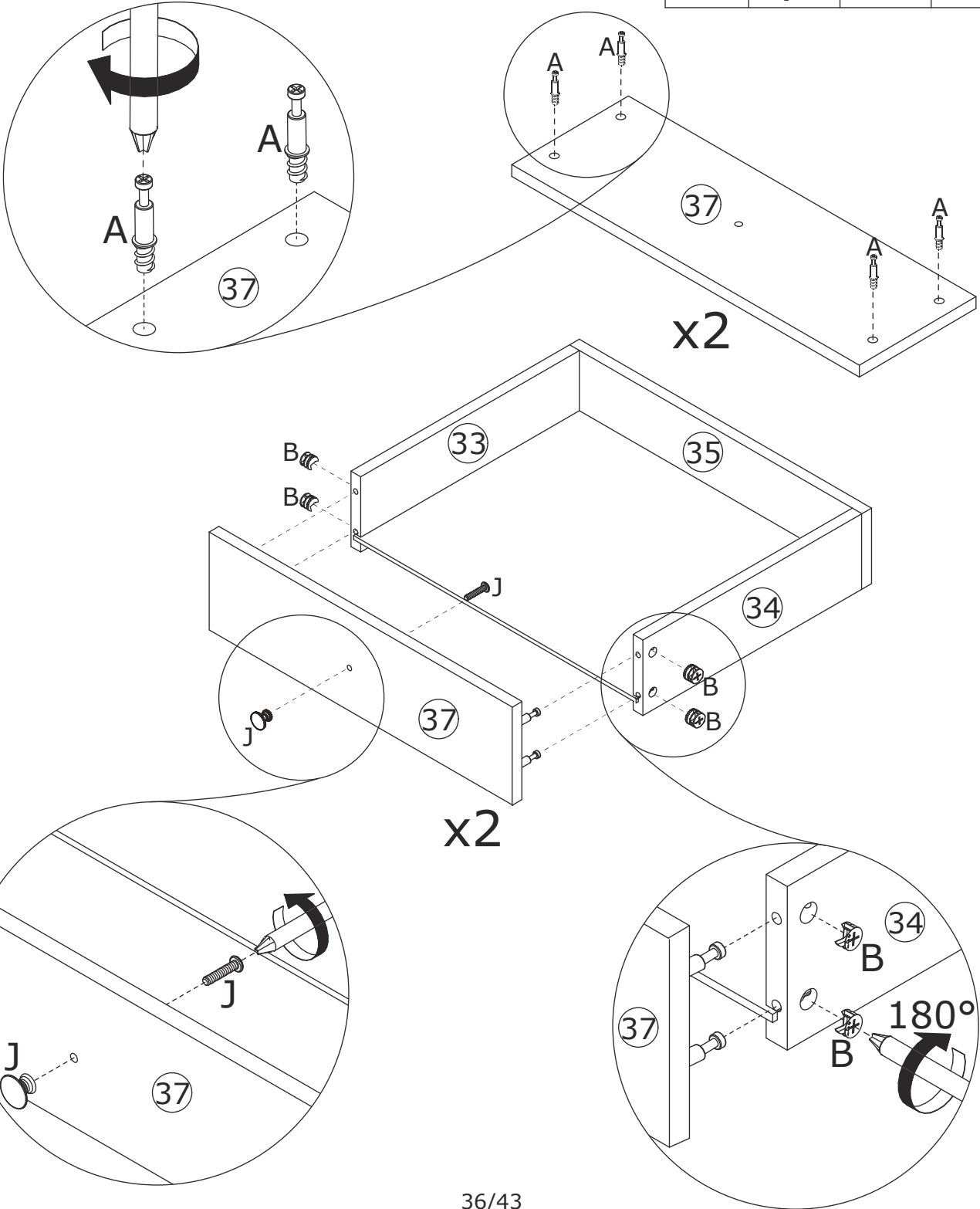
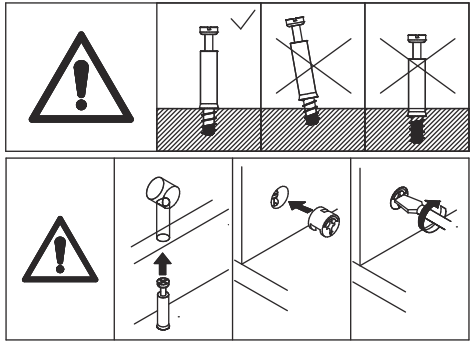
Insert bottom board 36 along grooves as shown.



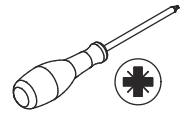
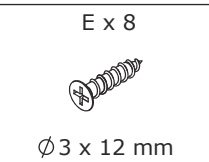
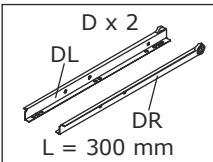
54



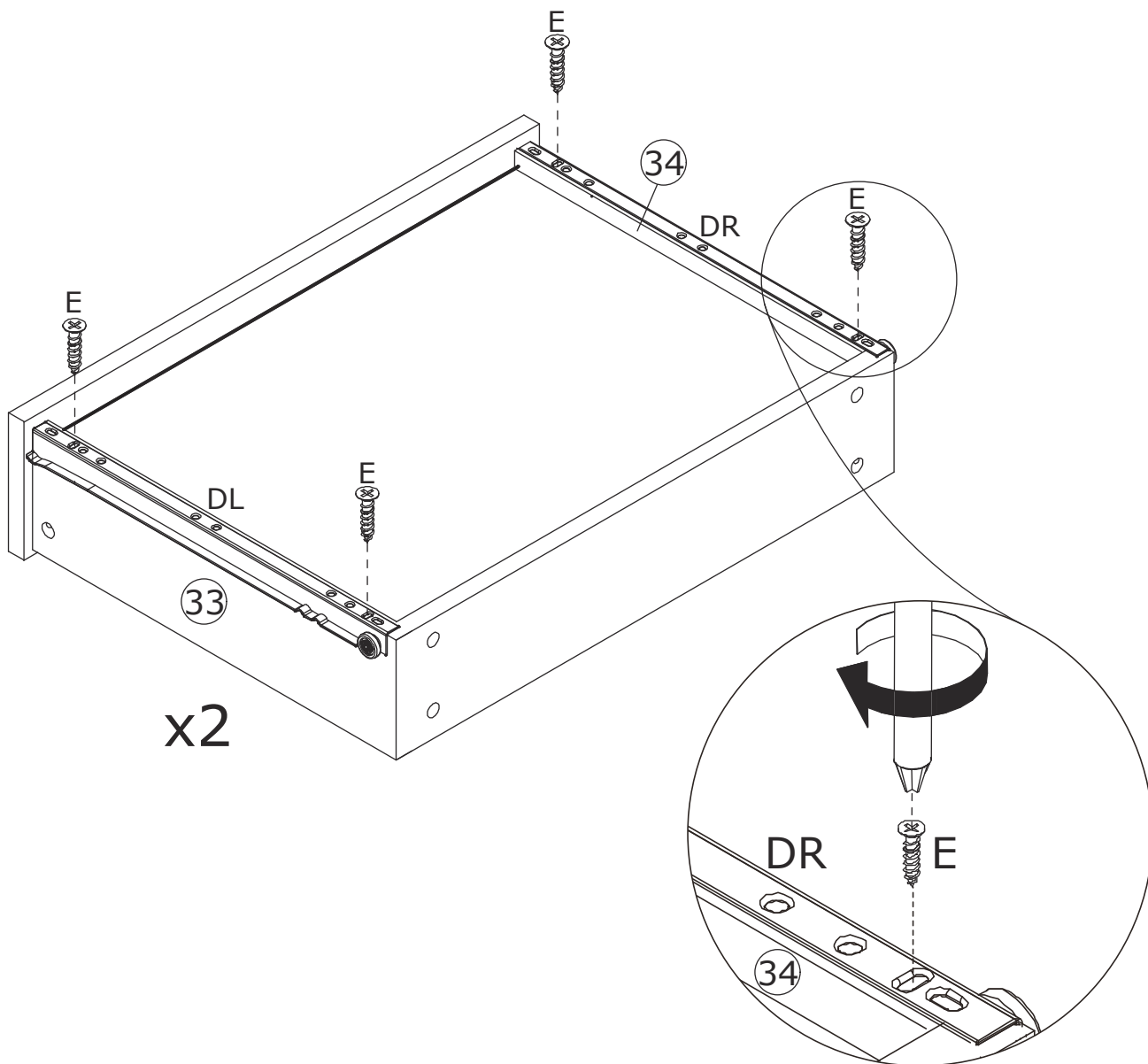
Screw eccentric rod(A) into board 37 at first.
Attach board 37 to board 33 and 34, add cam lock(B) into and turn clockwise to tighten as shown.
Fix knob(J) to board 37 as shown.



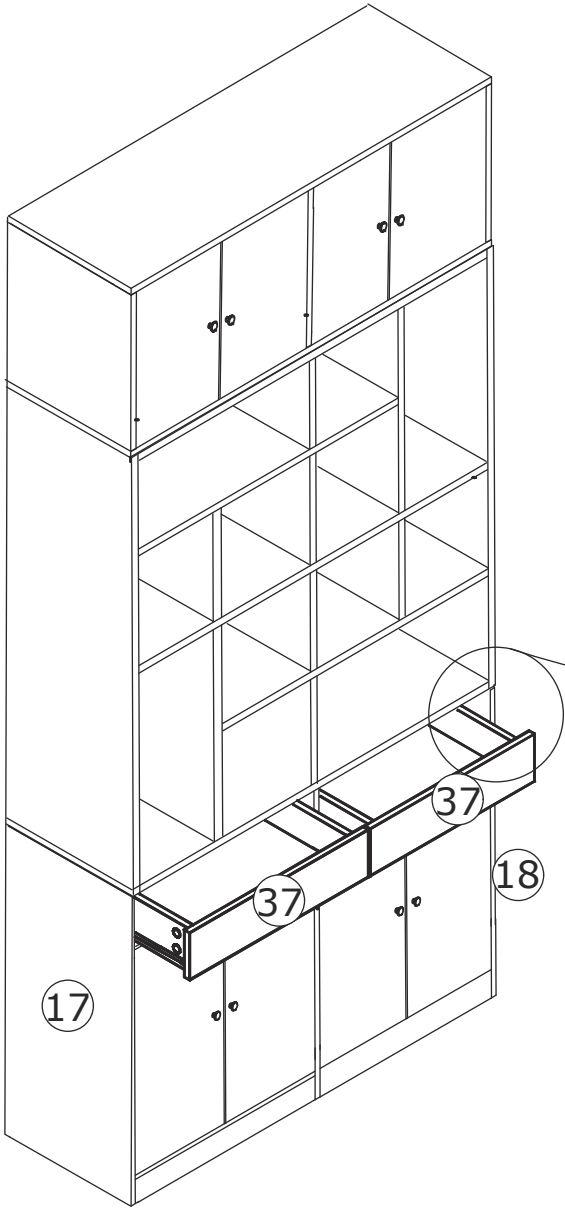
55



Fix runner(DL) and (DR) to board 33 and 34 with screw(E) as shown.

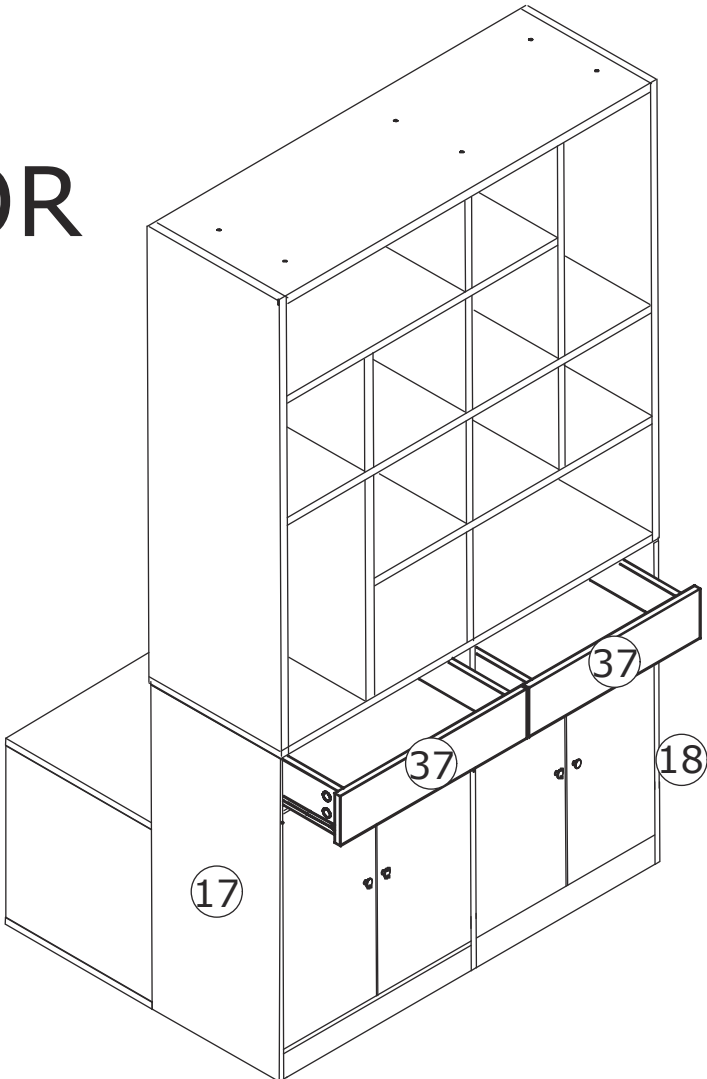


56

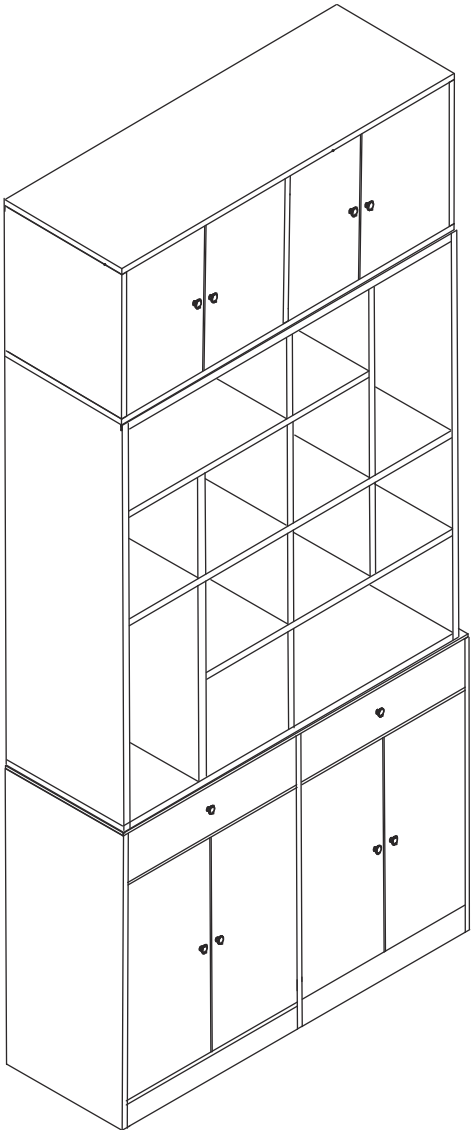
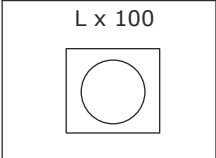


Align rails, insert drawers in.

OR

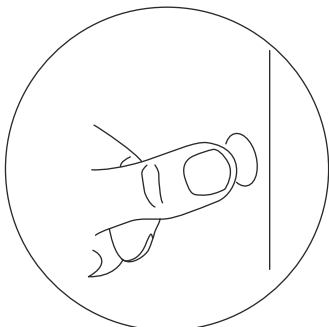
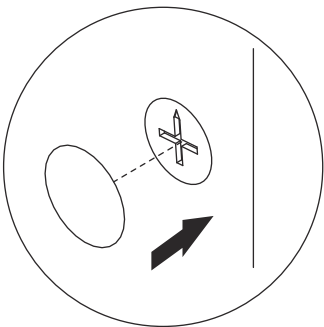
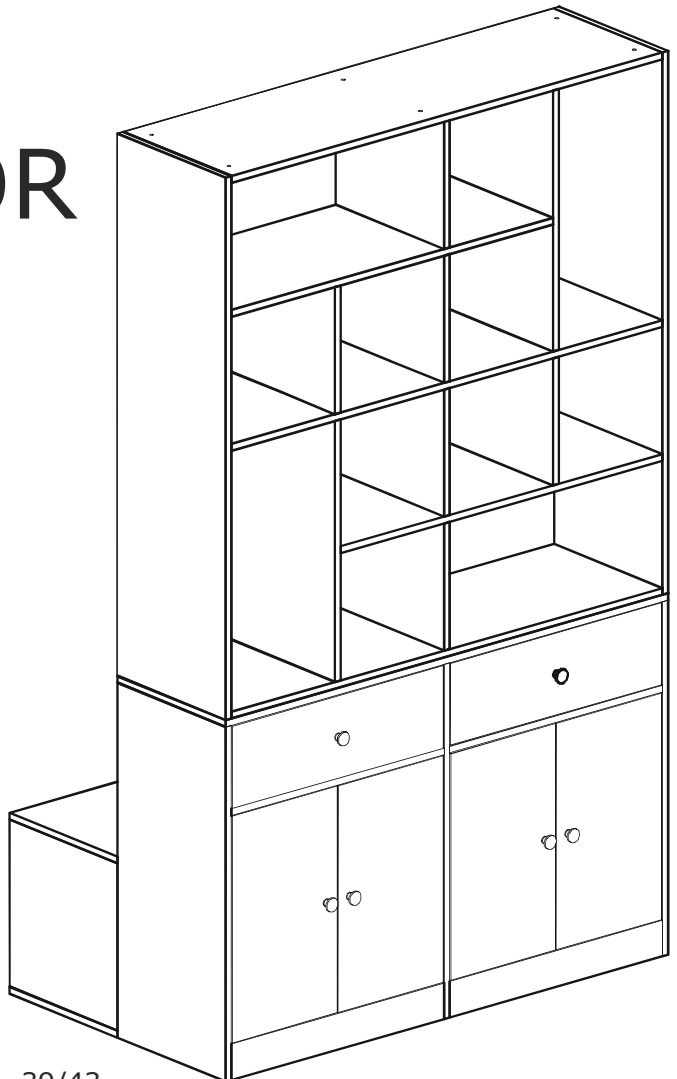


57

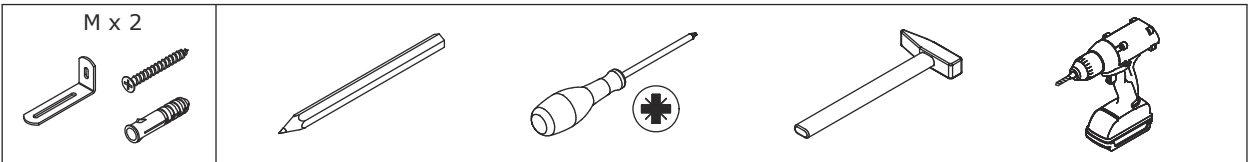


Use sticker(L) to cover cam lock holes.

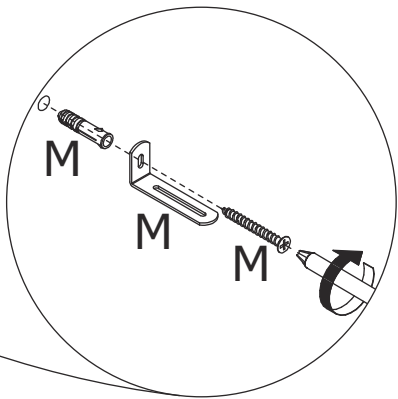
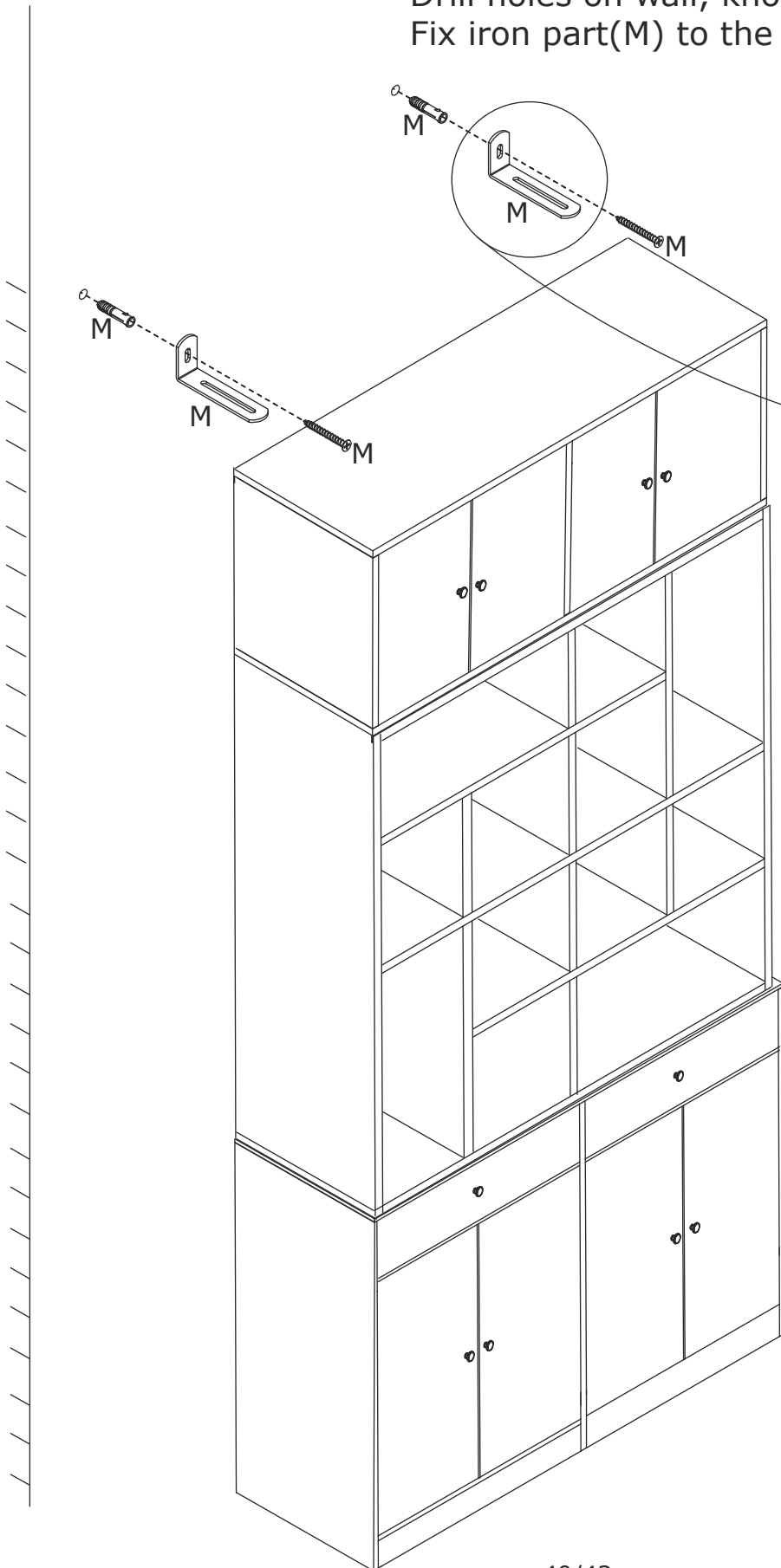
OR



58

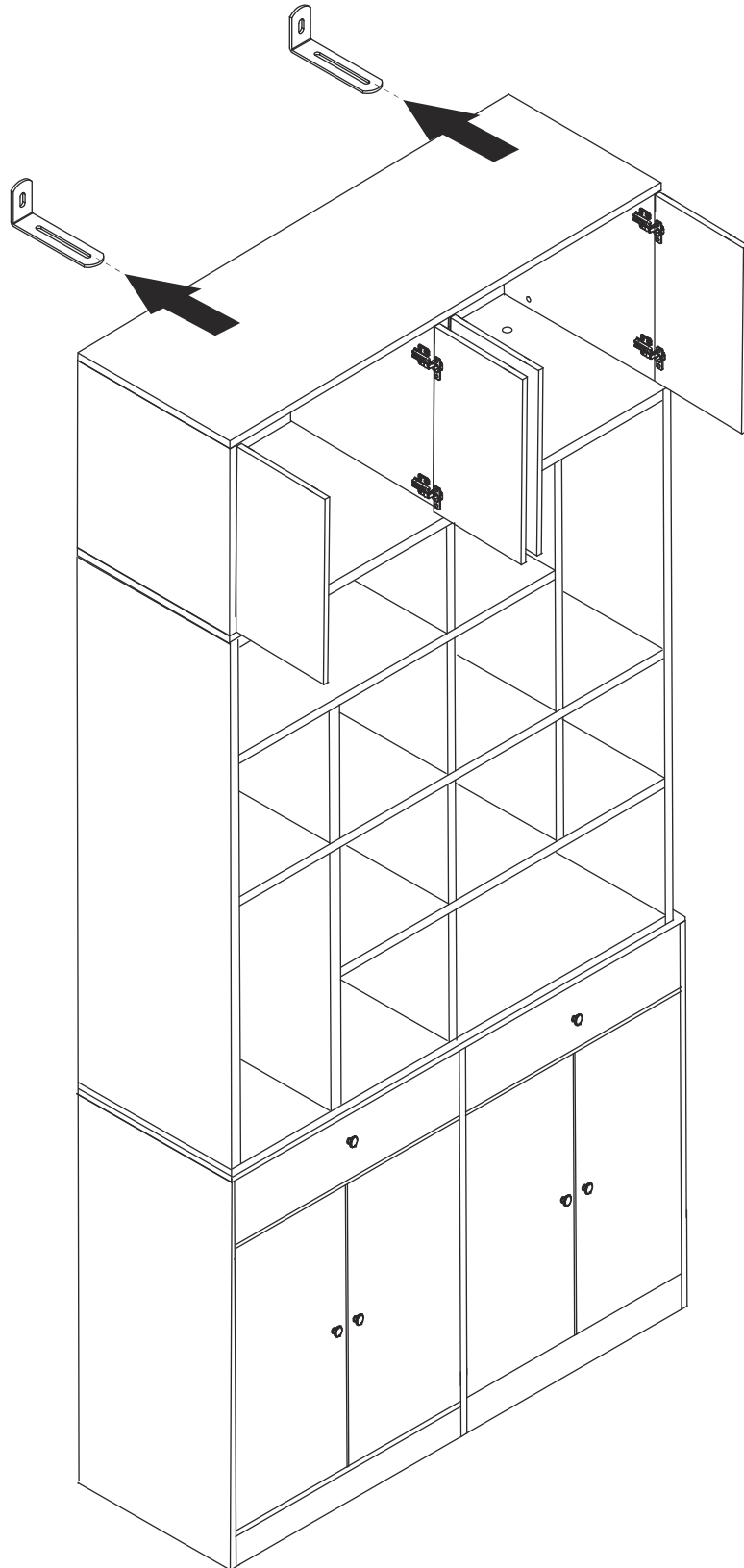


Drill holes on wall, knock plastic part(M) into. Fix iron part(M) to the plastic part.



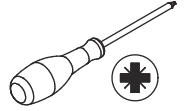
- 1.
- 2.
- 3.
- 4.

59

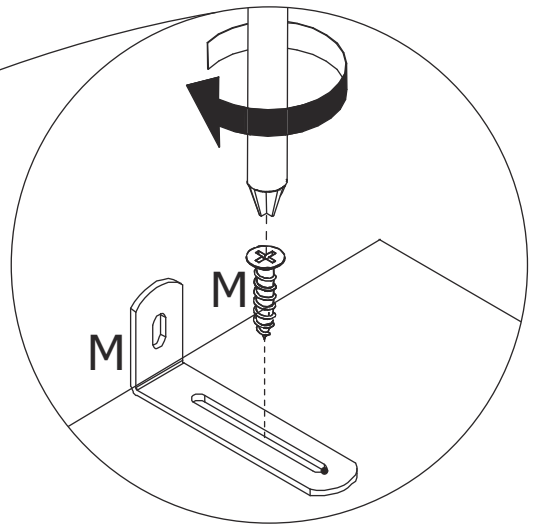
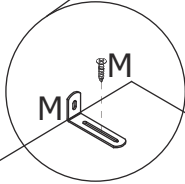
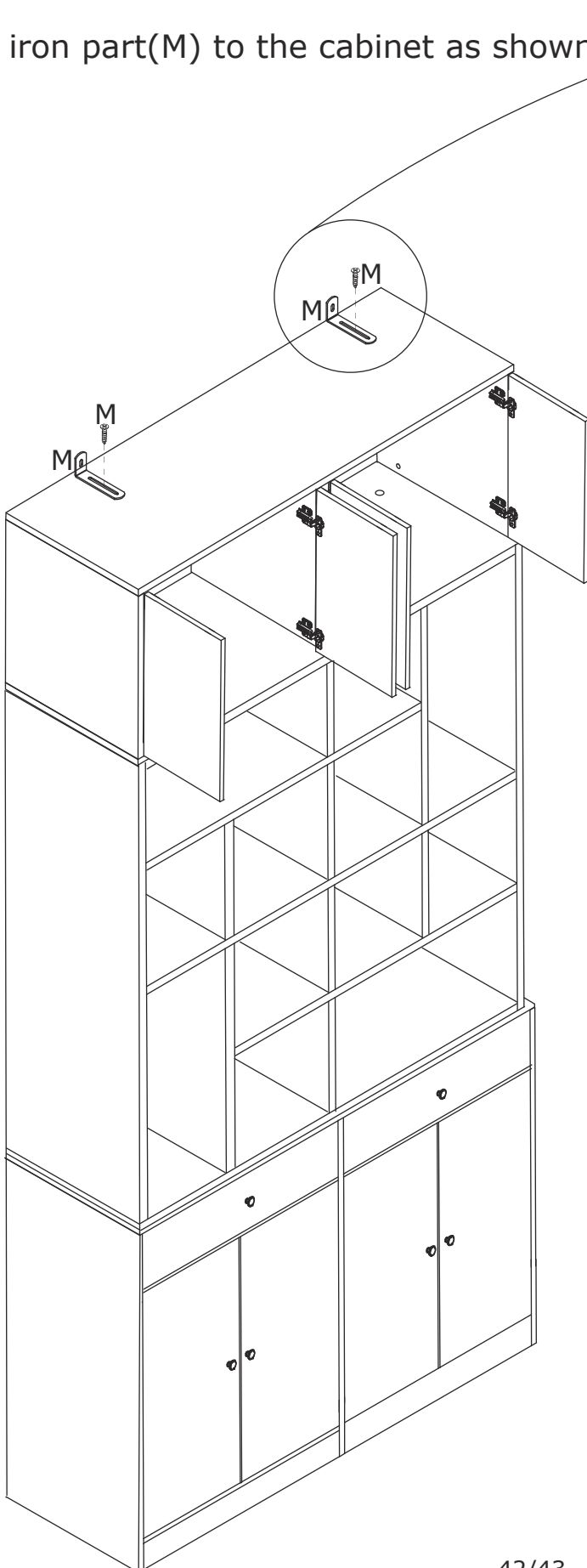


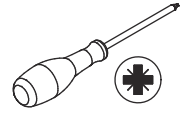
60

M x 2



Fix iron part(M) to the cabinet as shown.

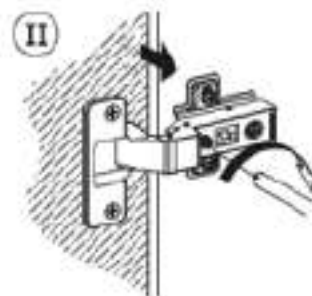
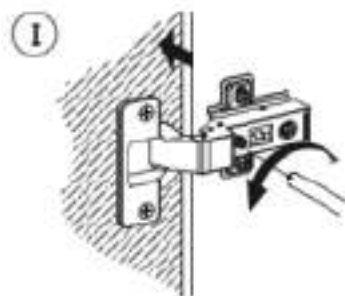
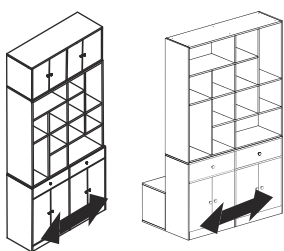
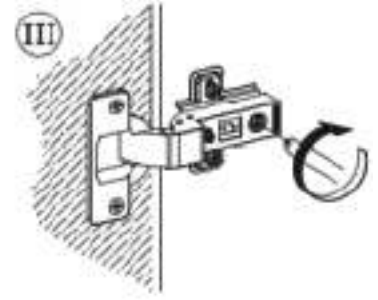
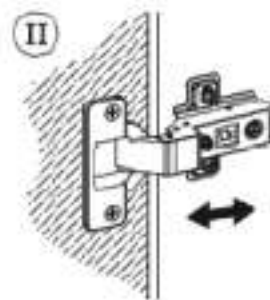
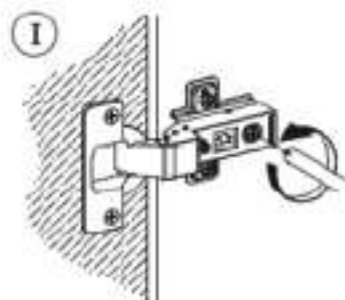
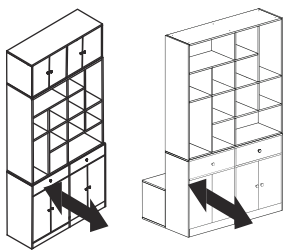
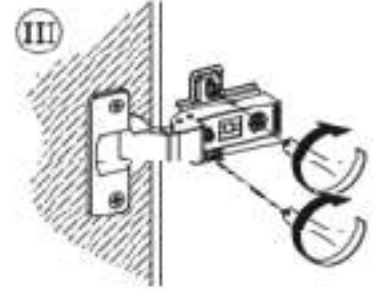
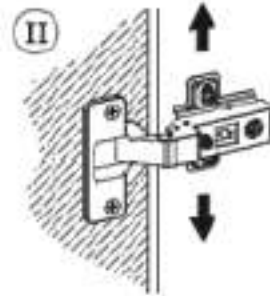
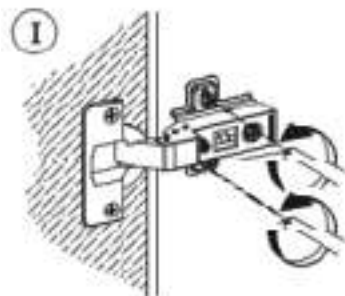
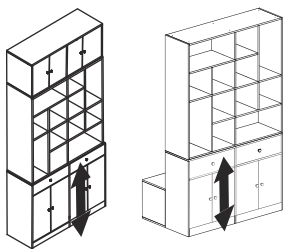
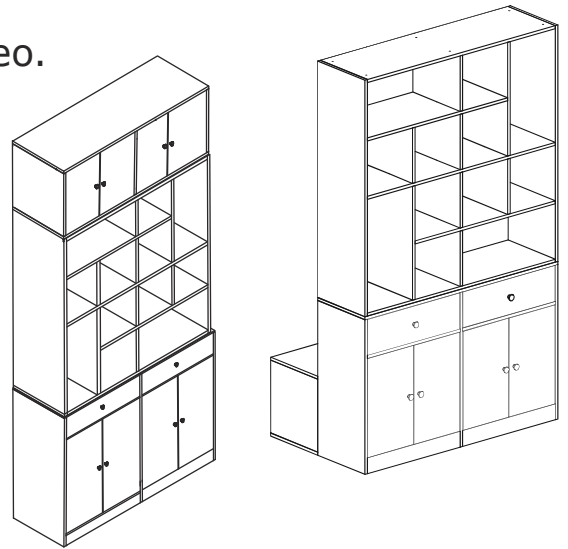




If there is misalignment after you install, adjust the screw to the best condition

If doors are still not aligned if the hinges are properly correctly, please watch the video.

<https://youtu.be/n0Lb36SoODM>



WARRANTY

WARRANTY CLAIMS

- There is a 30-day warranty for broken furniture or any other problems that do not work properly. The warranty will start from the date of purchase which must be verified by proof of purchase.
- Before making a claim, we may be able to answer your query, simply call us. Please leave your purchase order number, along with some details of the problem, if you want a replacement part. We will arrange within 48 hours. If there is out of stock, we will reply with a shipping date.
- The product must be used in accordance with the instructions provided. For health reasons.
- For other reasons, if the furniture needs to be returned, it must be cleaned and dried and operated within 30 days of receipt.

Type of Warranty Claim

- Failure to follow the furniture instructions will invalidate the warranty. Attention please.
- Does not include damage during installation, but includes damage during transportation.

Scope of responsibility

- Shall not bear any responsibility for misuse or user damage and / or loss of parts during the installation of furniture.
- After using, the damage and scratches of the furniture are not covered by the warranty.

The Warranty Relates to All Bought in The Us and Covers The Following Areas

- Sheet parts: 1 month from the date of purchase.
- Electrical parts: 1 month from the date of purchase.

RETURNS

CHANGED YOUR MIND AND NEED TO RETURN YOU ITEM?

PLEASE FOLLOW THE BELOW INSTRUCTIONS:

- If you have purchased and have simply changed your mind, follow the retailer's instructions for returns.

DEFECTIVE ITEMS

- If your item is defective in any way, i.e. it doesn't work but you can't identify why, in the first instance, please call us.

DAMAGED ITEMS

- If you receive an order with obvious shipping damage from the retailer, then we suggest the delivery is refused. If the delivery has been accepted and then shipping damage is found, please follow the specific instructions advised by the retailer.
In all circumstances please save all packaging material and paperwork for the order. Please be aware that if you dispose of packaging material or attempt to return the merchandise without contacting the fulfiller, you jeopardise your chances of making a claim, and you may not receive a credit for the return.

AFTER-SALES CONTACT



feedbackstation@163.com



(303)800-6387