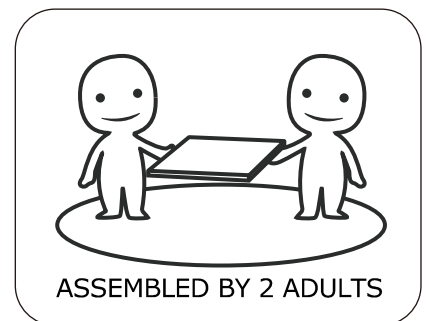
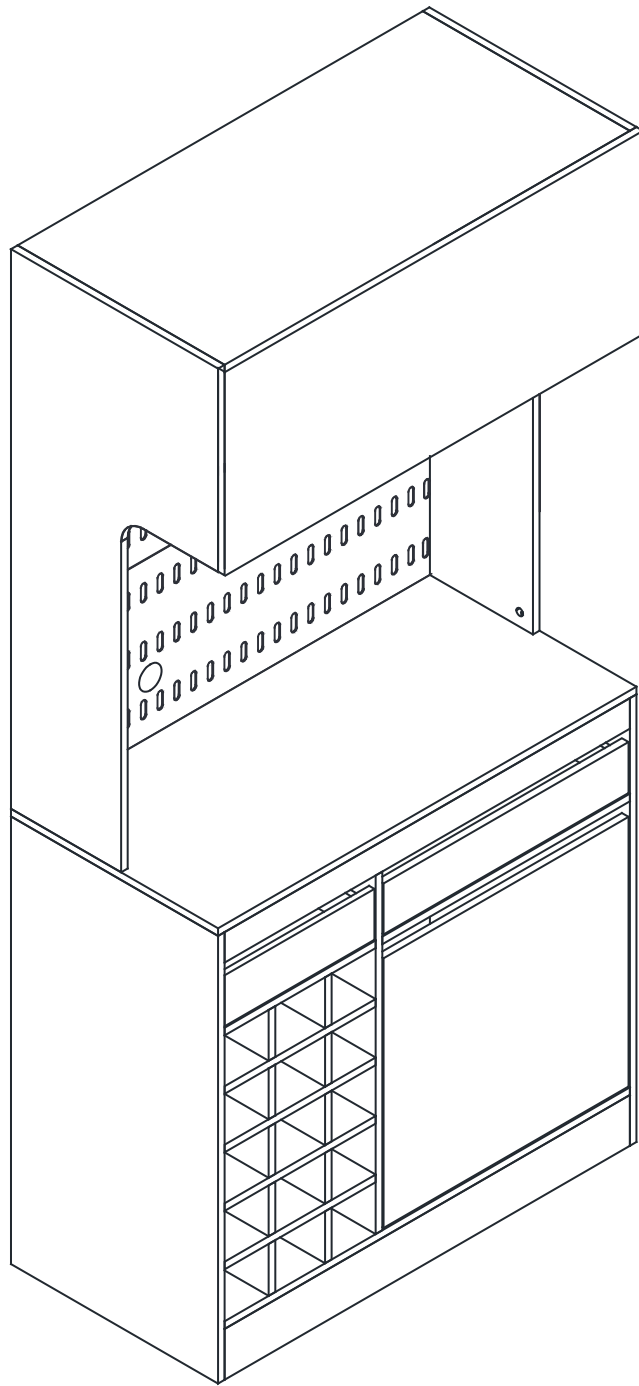
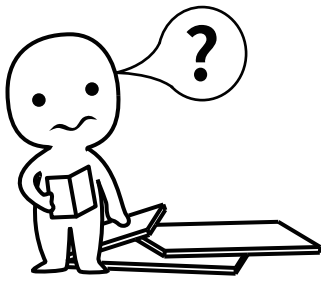


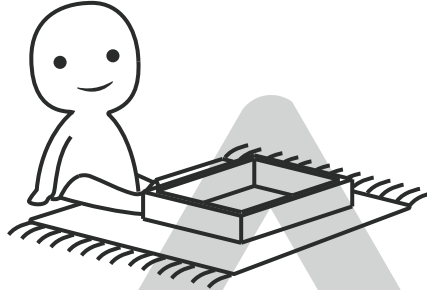
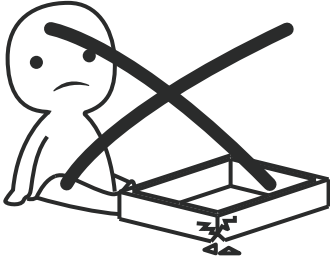
Pantry





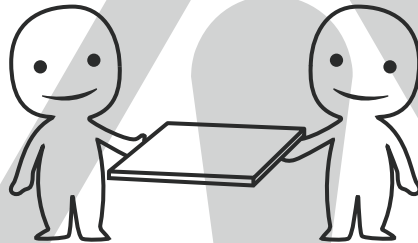
IMPORTANT INFORMATION!

please read the entire manual before starting to assemble and/or using this product. follow the manual thoroughly and keep it for further reference.



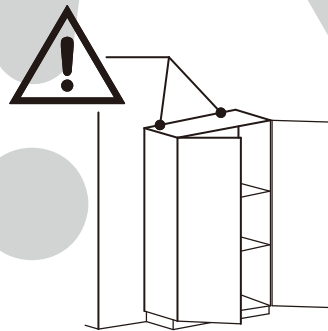
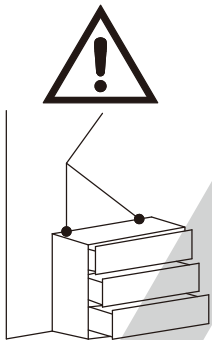
AVOID SCRATCHES!

In order to avoid scratching this furniture should be assembled on a soft layer- could be a rug.



IMPROVE EFFICIENCY !

Try to find a partner to install with you, which can speed up the installation efficiency and shorten the time.



ANTI-TOPPLE WARNING !

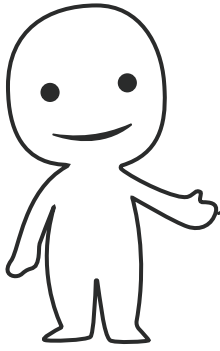
Overturnd furniture can cause serious or fatal crush injuries. To prevent tipping over, be sure to use the wall attachment, if not included with this product. Please purchase the wall attachment that fit your wall. If unsure, seek professional advice. Please read and follow each step of the instructions carefully.

IMPORTANT !

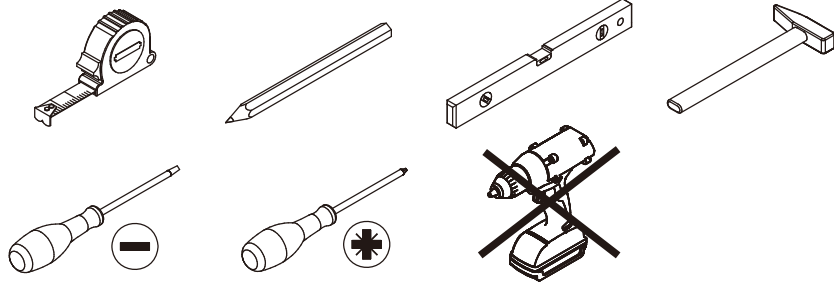
It is important that any product which is assembled using any kind of screw is re-tightened 2 weeks after assembly, and once every 3 months - in order to assure stability through-out the lifespan of the product.

For regular maintenance and cleaning of the product, for the frame, please use a rag dipped in neutral detergent to fully wipe it, and then dry it with a clean rag. For glass materials, wipe with a rag dampened with water glass cleaner, and then dry with a dry rag.

Do not use an electric screwdriver, and do not use too much force when installing, because the board is easy to break.



Please prepare the following tools



When installing, please carefully confirm whether each screw corresponds to the manual, accessories with similar shapes can be distinguished by size

A x 64+6

Ø 5 x 31 mm

B x 48+4

Ø 15 x 9.5 mm

C x 46+4

Ø 6 x 30 mm

D x 40+4

Ø 3 x 12 mm

E x 2

L=300mm

F x 2

L=350mm

G x 2

Ø 3 x 12 mm

H x 18+1

Ø 3 x 12 mm

J x 1

Ø 3.5 x 14 mm

K x 16+1

Ø 15 x 11 mm

L x 1

Ø 3.5 x 14 mm

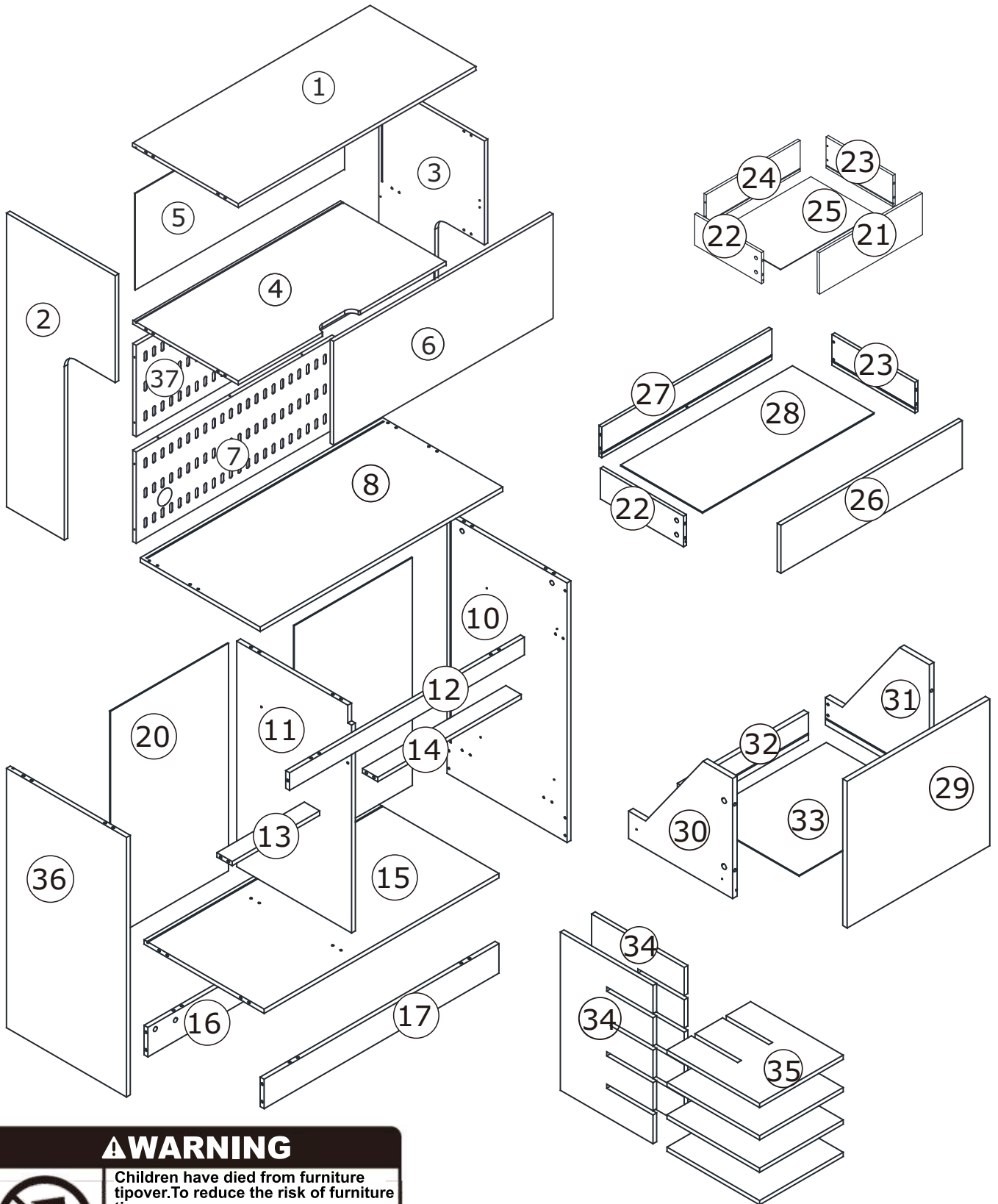
M x 64+6

N x 2

P x 3

White nut

X3



⚠ WARNING



Children have died from furniture tipover. To reduce the risk of furniture tipover:

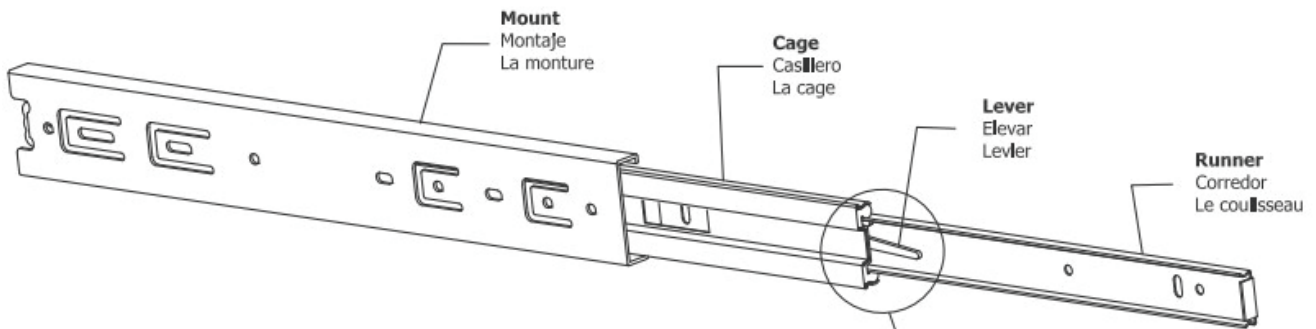
- ALWAYS install tipover restraint provided.
- NEVER put a TV on this product.
- NEVER allow children to stand, climb or hang on drawers, doors, or shelves.
- NEVER open more than one drawer at a time.
- Place heaviest items in the lowest drawers.

*This is a permanent label.
Do not remove!*

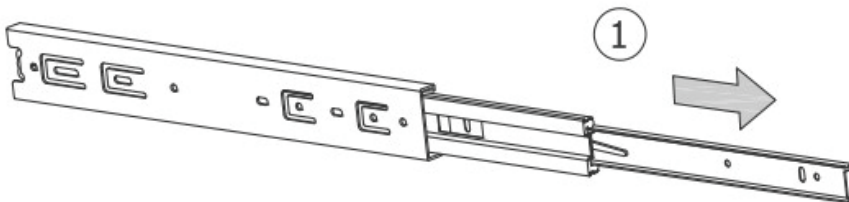
**Slides Must Be Separated Before Assembly.
After Separated, Set Aside Until Needed for Assembly.**

Las diapositivas deben separarse antes del montaje.
Después de la separación, déjelo a un lado hasta que sea necesario.

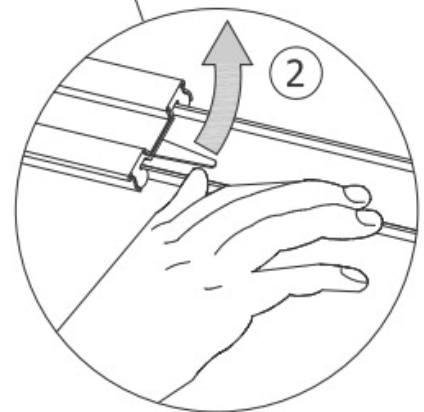
Les glissières doivent être séparées avant l'assemblage.
Après la séparation, mettez de côté jusqu'au moment de l'assemblage.



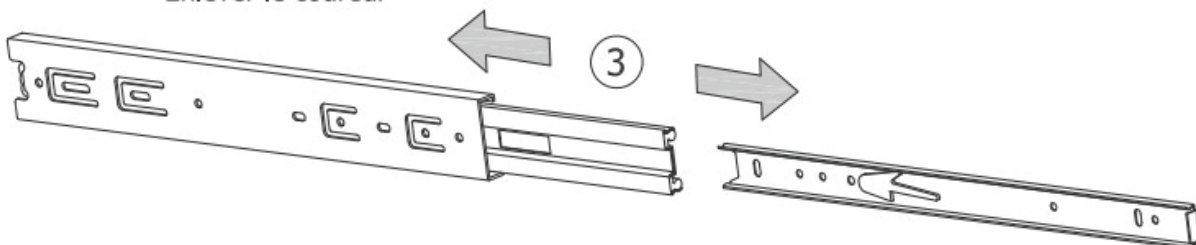
STEP 1: Extend Slide
Extender la diapositiva
Extendre la diapositive



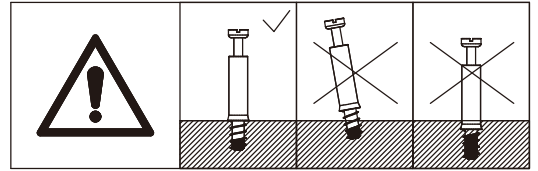
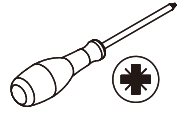
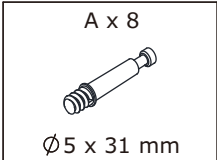
STEP 2: Push Lever UP
Empujar hacia arriba
Lever le levier



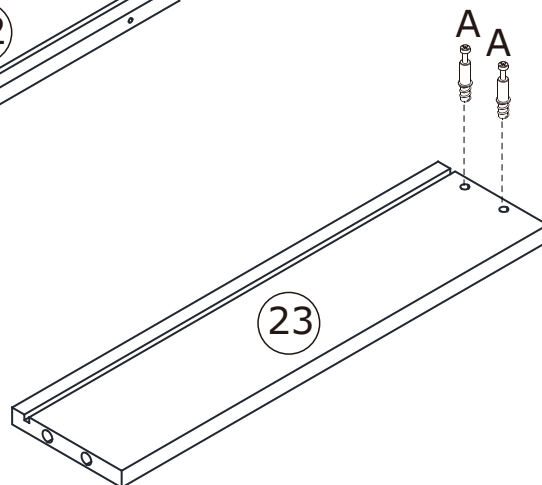
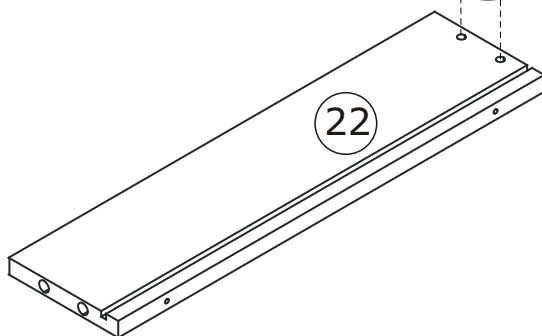
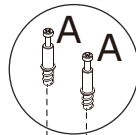
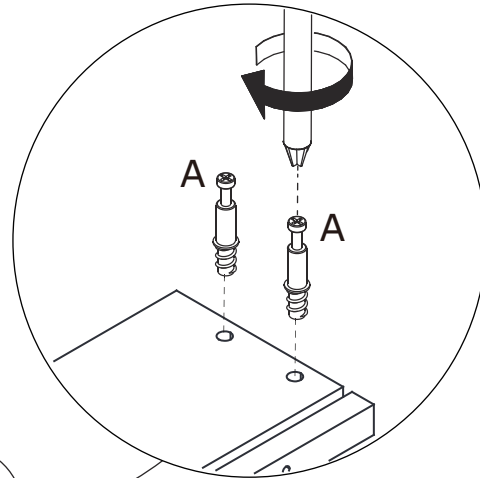
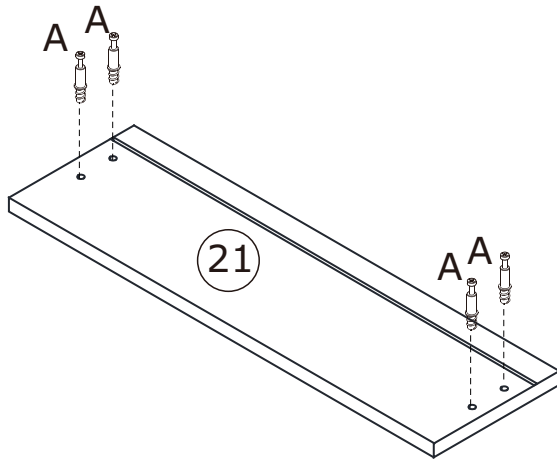
STEP 3: Remove Runner
Quitar el corredor
Enlever le coureur



1



Screw quickfit screw(A) into corresponding holes in plate 21, 22 and 23 with a screwdriver as shown.

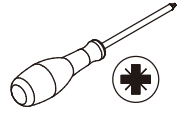


2

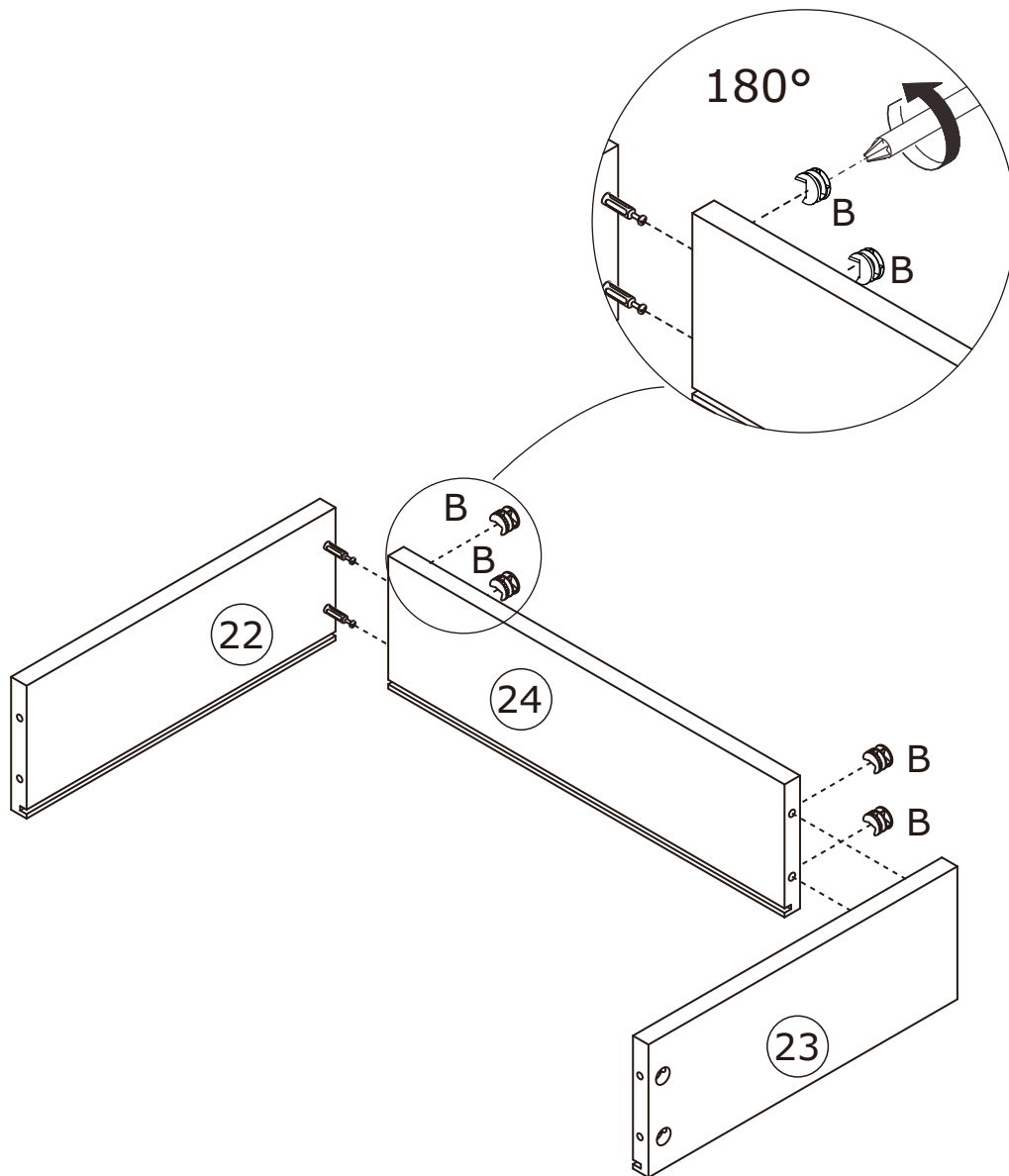
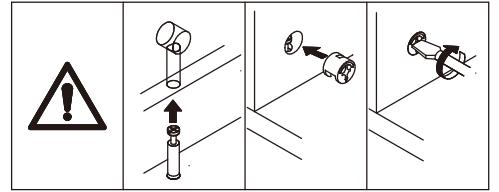
B x 4




Ø 15 x 9.5 mm

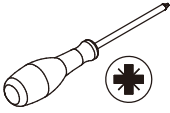


Connect plate 22 and 23 with plate 24, put cam lock(B) into holes in plate 24 and turn clockwise to tighten as shown.

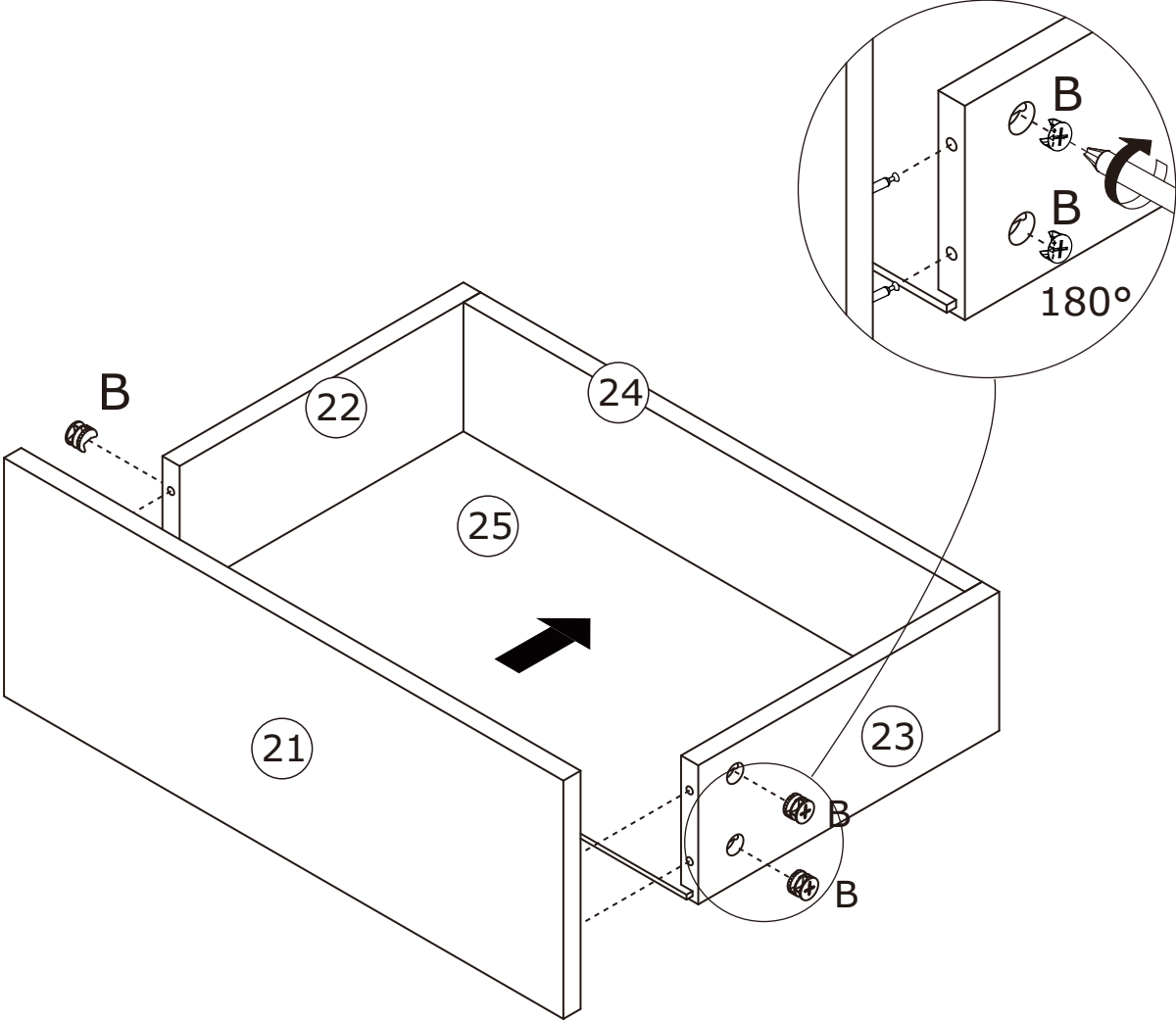
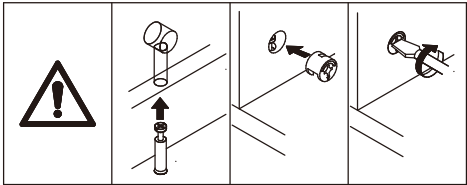


3

B x 4

Ø15 x 9.5 mm



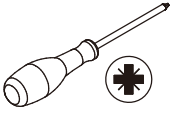
Slide plate 25 along grooves at first.
Attach plate 21 to 22 and 23, put cam lock(B) into holes in plate 22,23 and turn clockwise to tighten as shown.



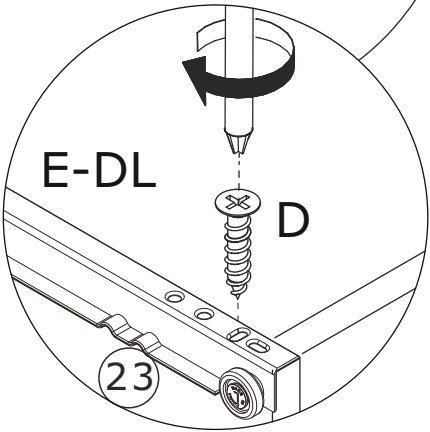
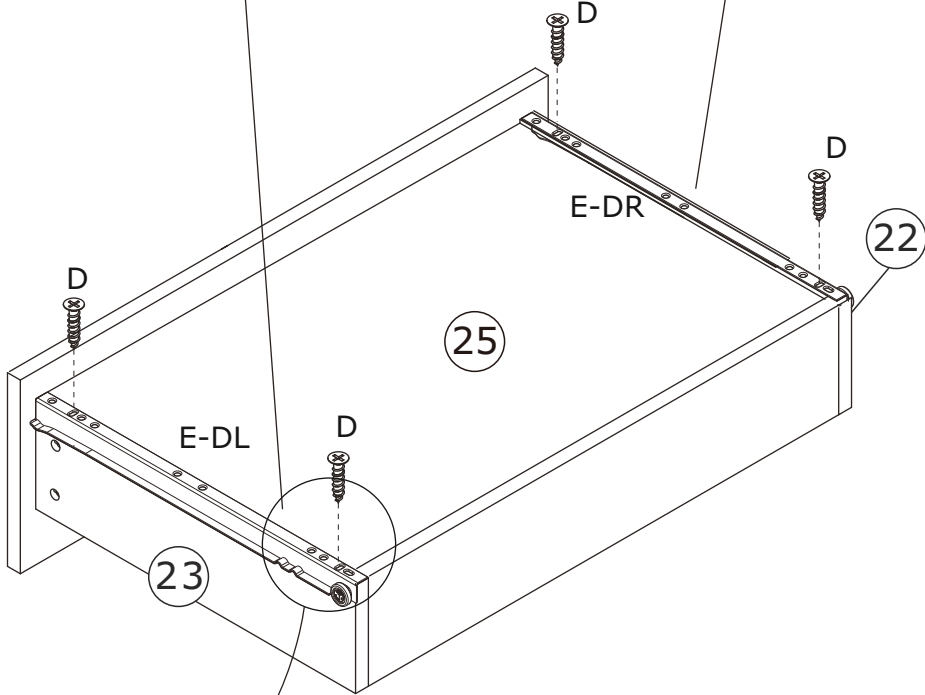
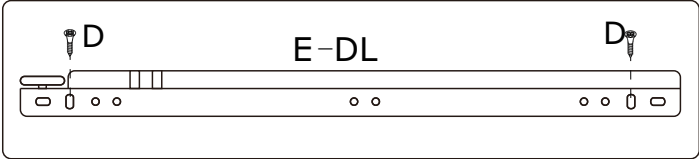
4

D x 4
Ø3 x 12 mm

E x 1
L=300 mm

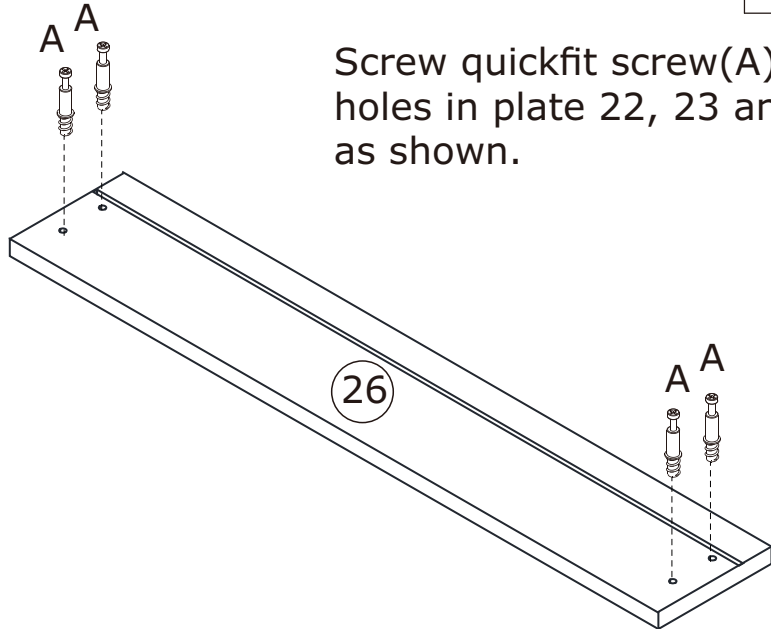
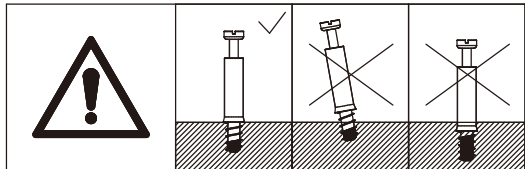
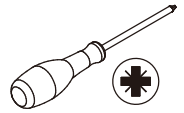


Fix runner(E-DL) and (E-DR) to plate 22 and 23 respectively using screw(D) as shown.

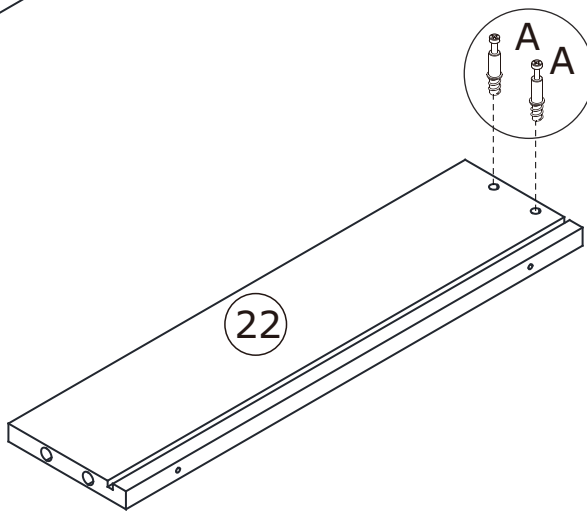
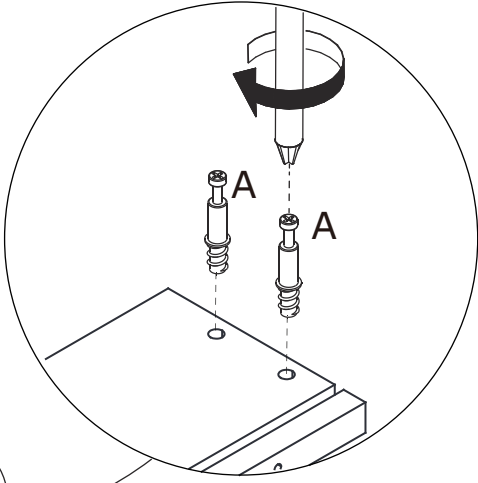
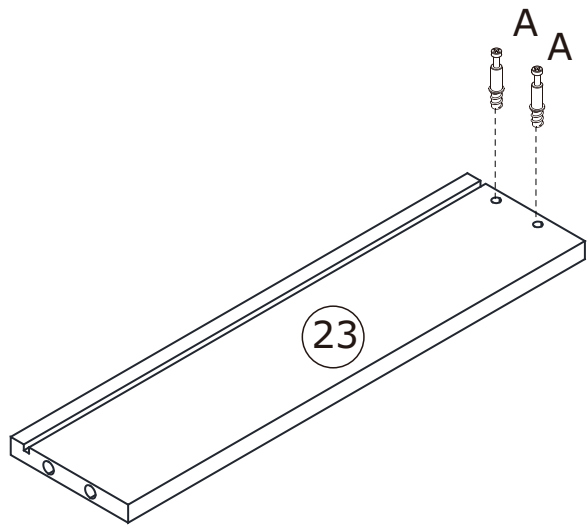


5


A x 8
Ø5 x 31 mm

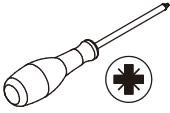


Screw quickfit screw(A) into corresponding holes in plate 22, 23 and 26 with a screwdriver as shown.

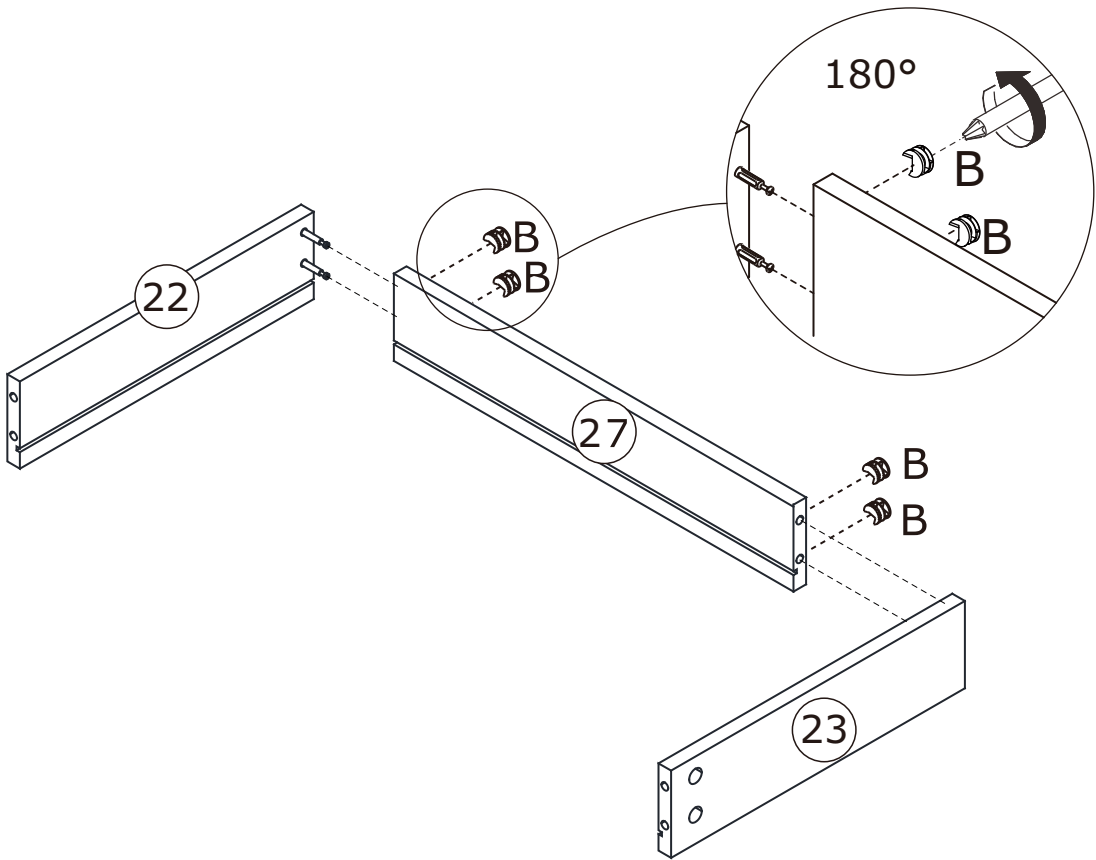
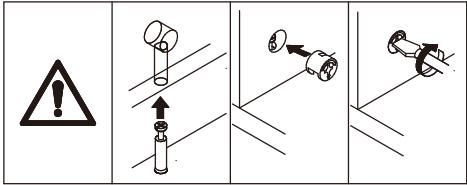


6


B x 4

Ø 15 x 9.5 mm

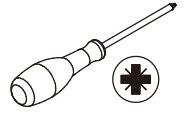


Connect plate 22 and 23 with plate 27, put cam lock(B) into holes in plate 27 and turn clockwise to tighten as shown.

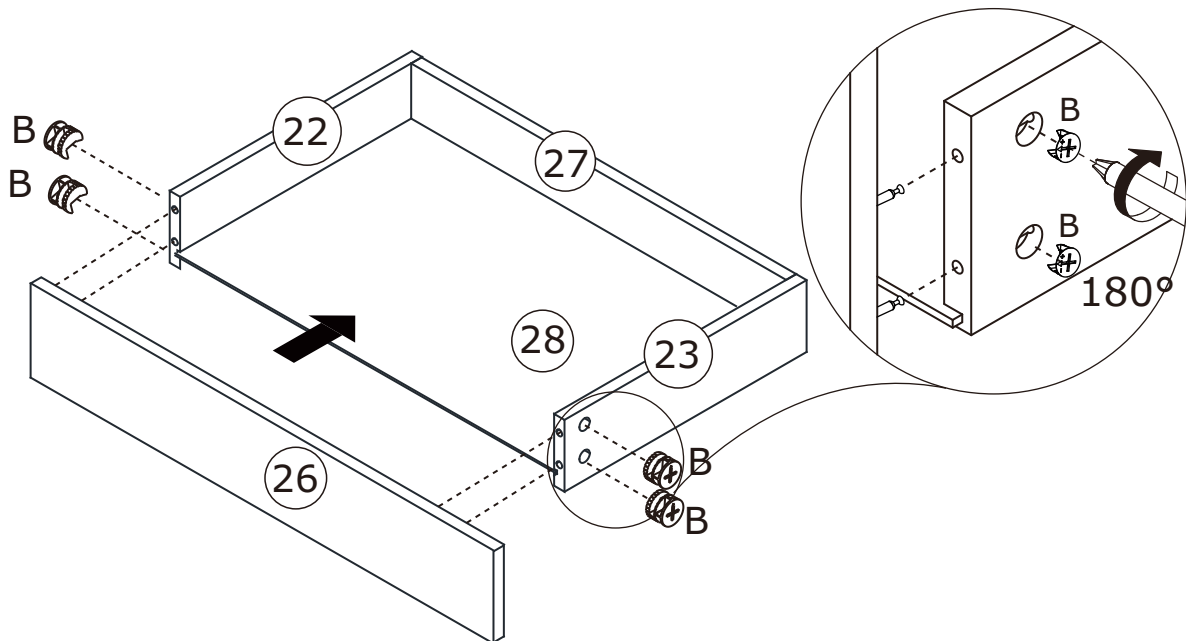
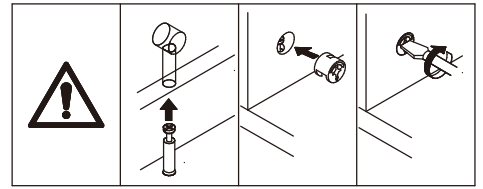


7


B x 4

Ø15 x 9.5 mm

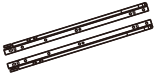


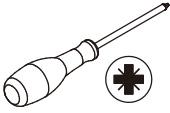
Slide plate 28 along grooves at first.
Attach plate 26 to 22 and 23, put cam lock(B)
into holes in plate 22,23 and turn clockwise to
tighten as shown.



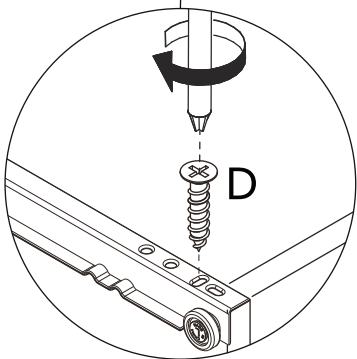
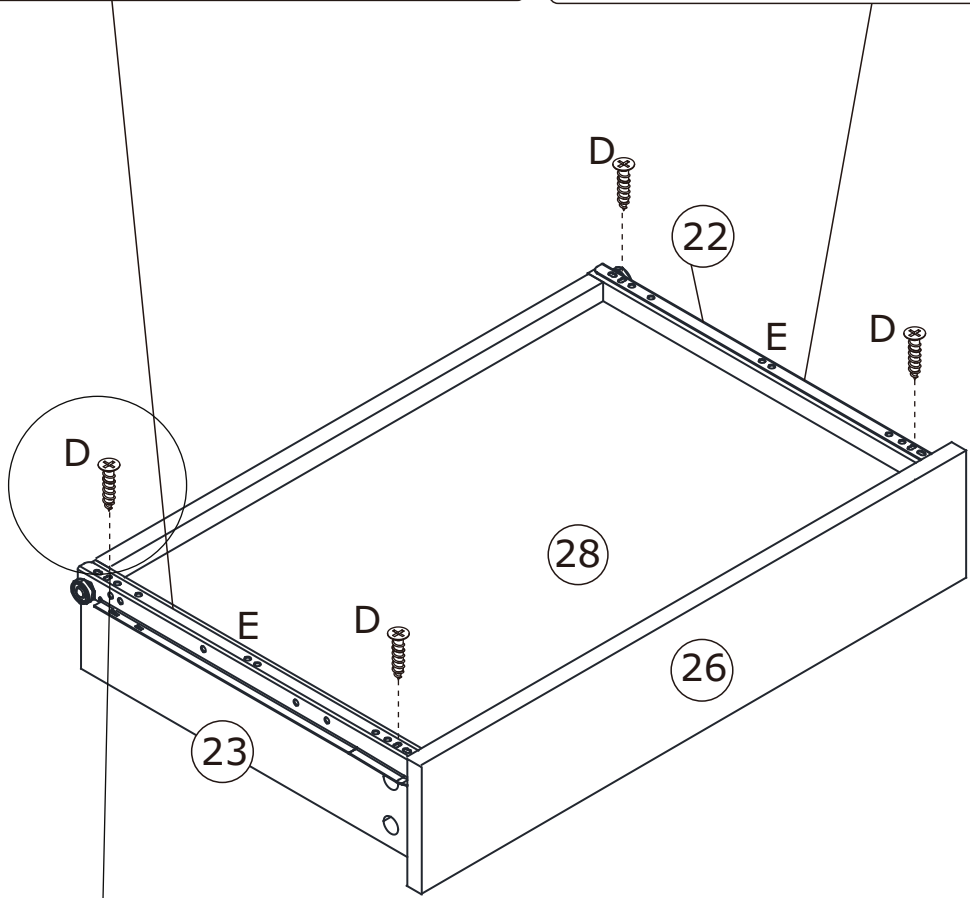
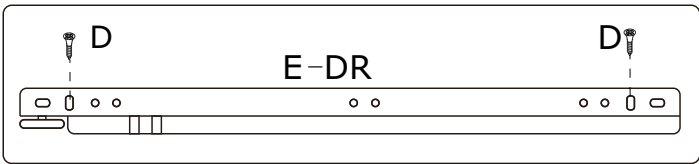
8

D x 4

Ø3 x 12 mm

E x 1

L=300 mm

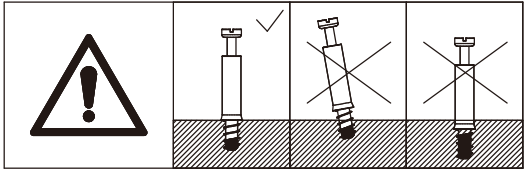
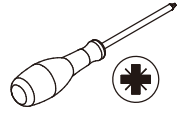


Fix runner(E-DL) and (E-DR) to plate 22 and 23 respectively using screw(D) as shown.

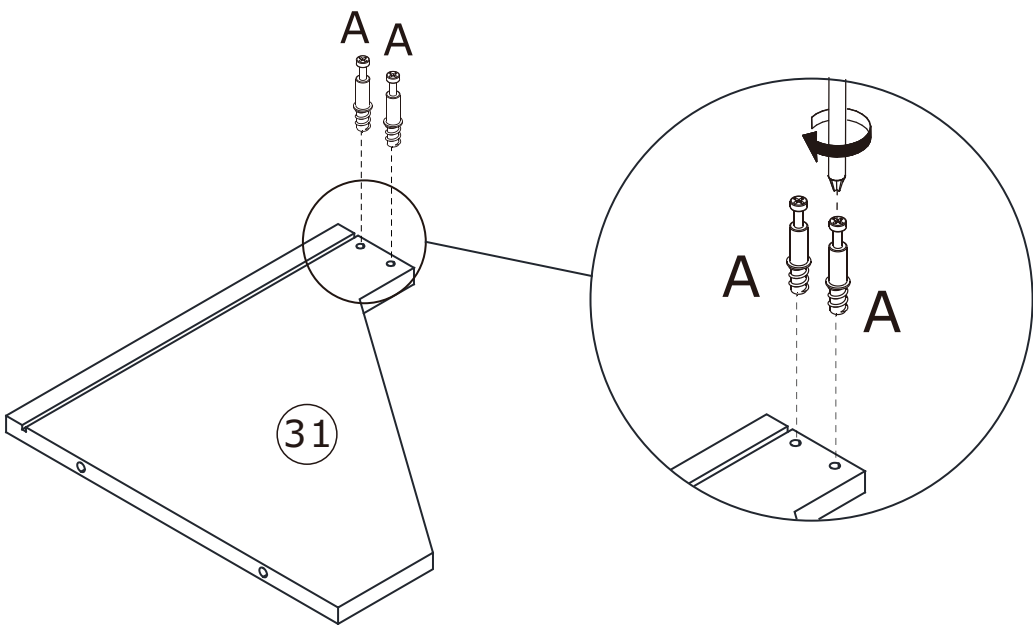
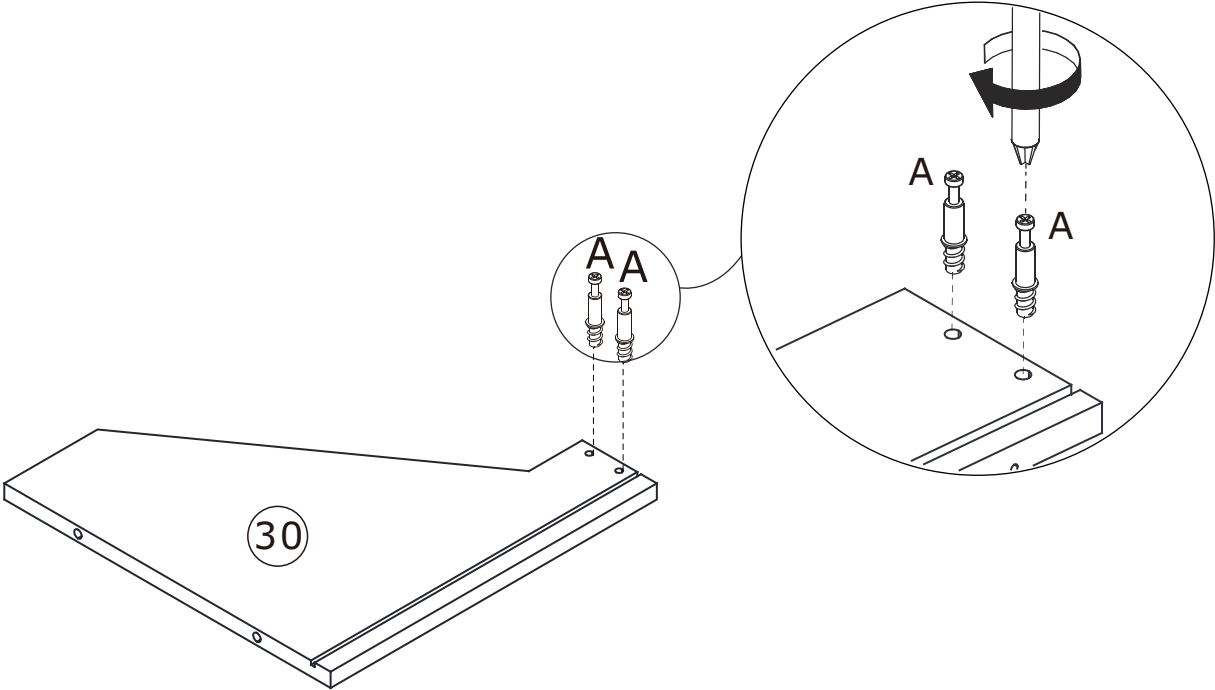


9

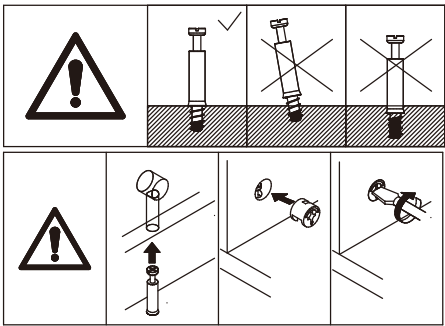
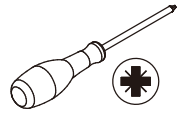
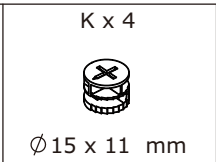
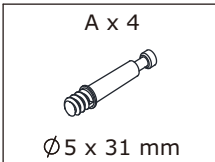
A x 4
Ø5 x 31 mm



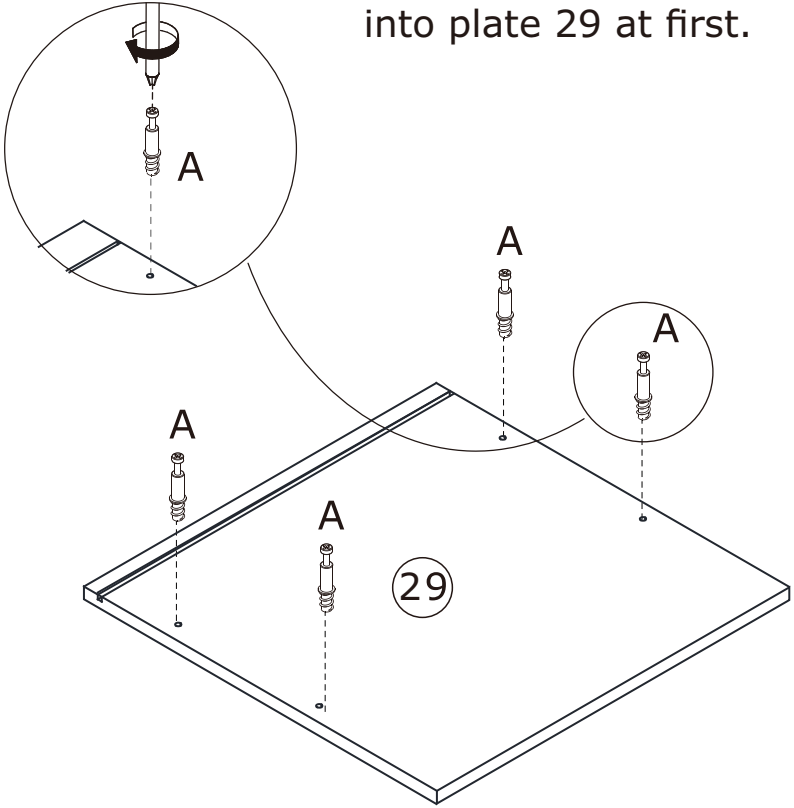
Screw quickfit screw(A) into corresponding holes in plate 30, and 31 with a screwdriver as shown.



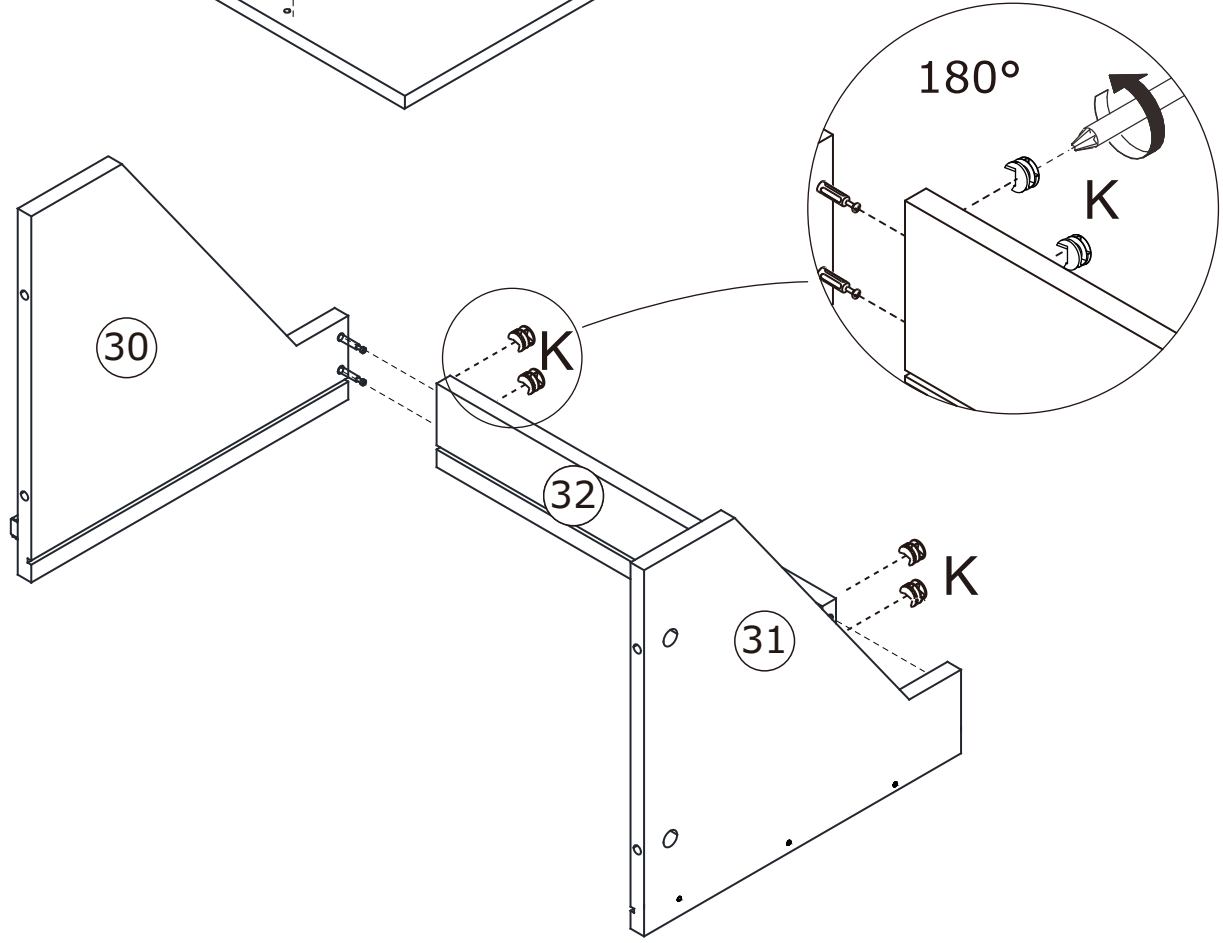
10



Screw quickfit screw(A) into plate 29 at first.



Connect plate 30 and 31 with plate 32, put cam lock(K) into holes in plate 32 and turn clockwise to tighten as shown.

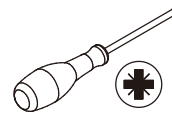


11

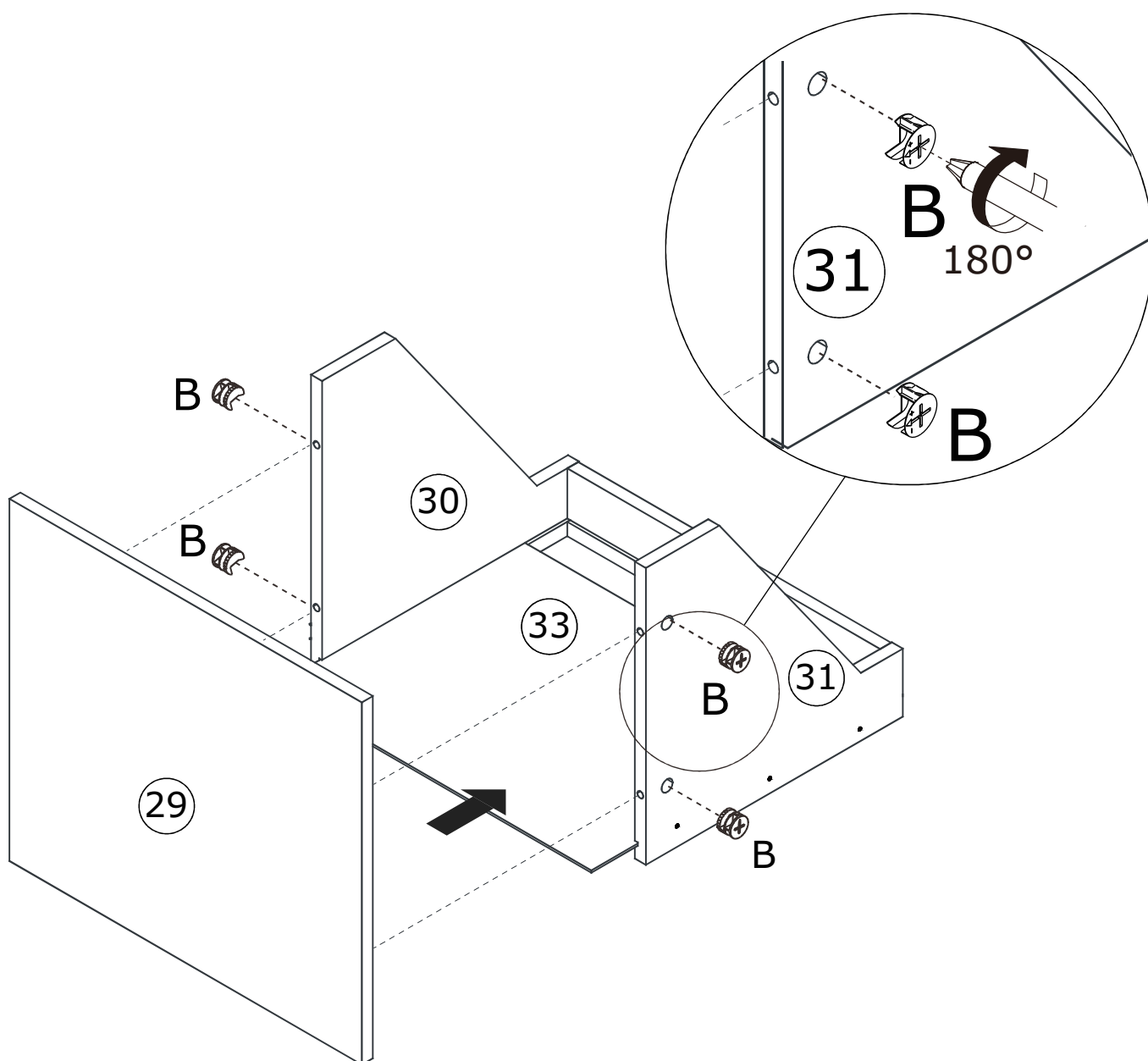
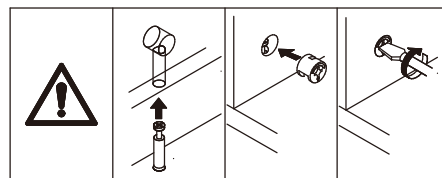
B x 4



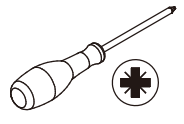
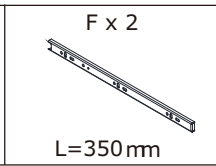
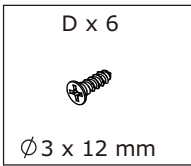
Ø 15 x 9.5 mm



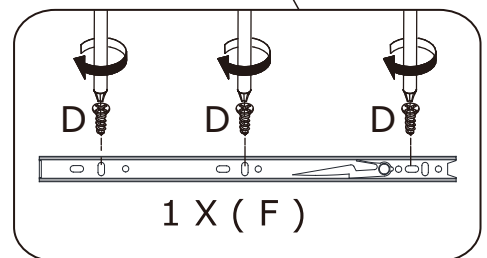
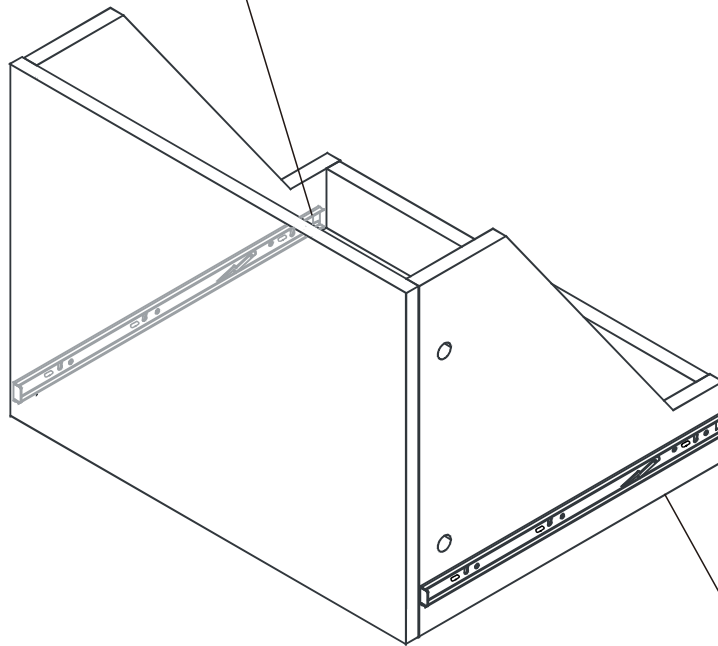
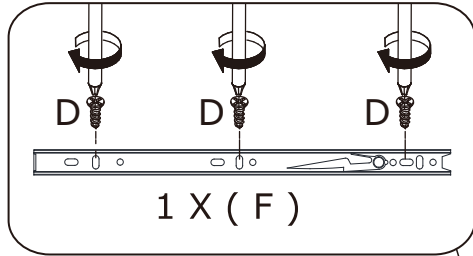
Slide plate 33 along grooves at first.
Attach plate 29 to plate 30 and 31, put cam lock(B) into holes in plate 30,31 and turn clockwise to tighten as shown.



12

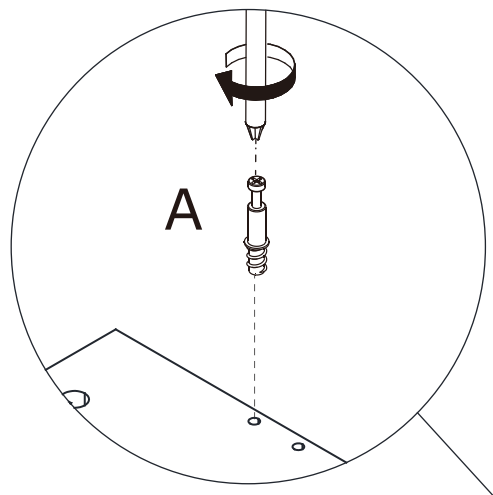
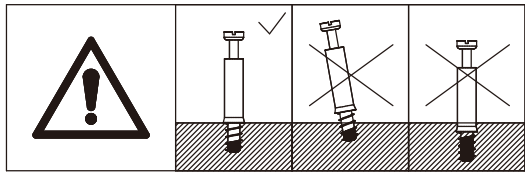
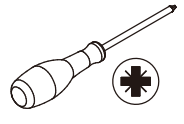


Fix slide rail(F) using screw(D)
as shown.

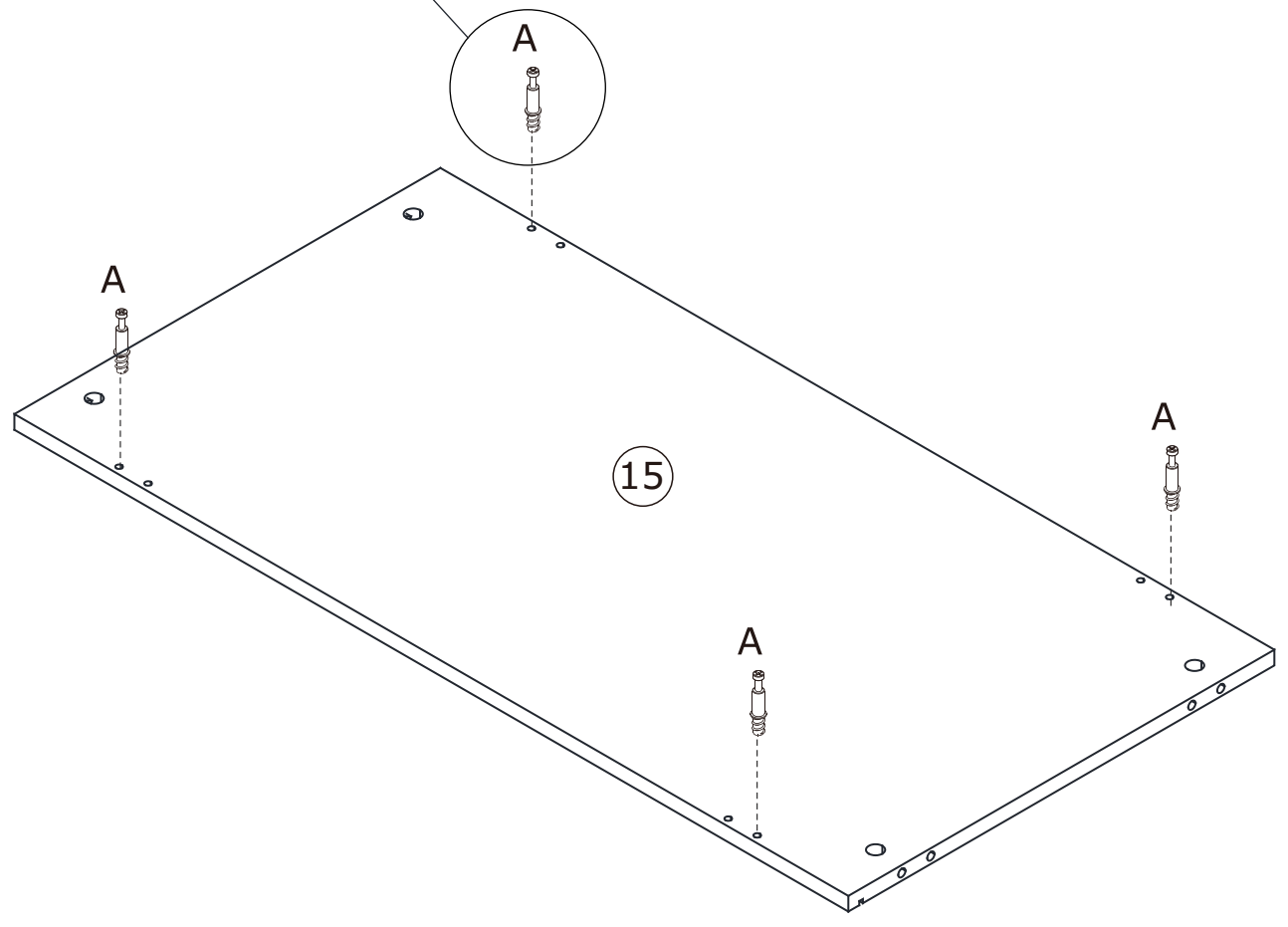


13

A x 4
Ø5 x 31 mm



Screw quickfit screw(A) into corresponding holes in plate 15 as shown.



14

B x 4

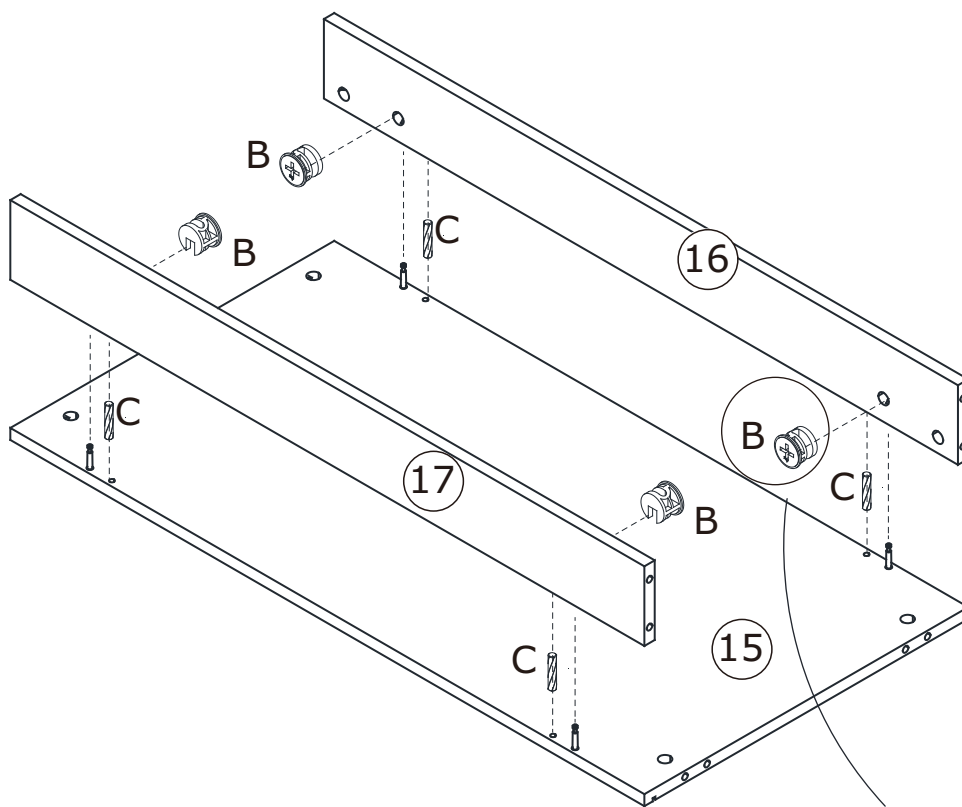
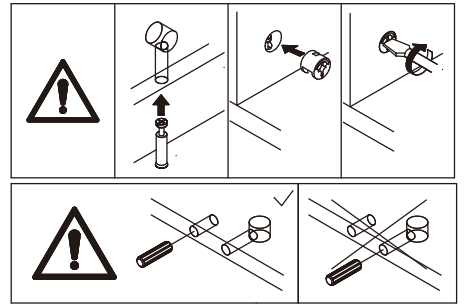
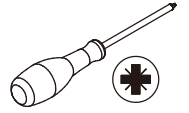


Ø 15 x 9.5 mm

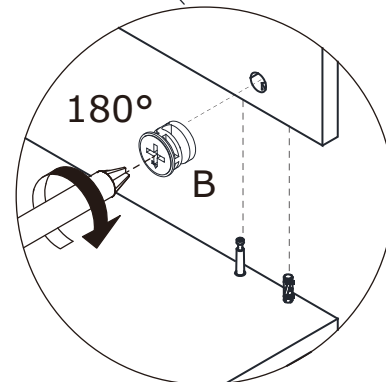
C x 4



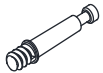


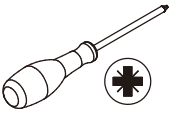
Ø 6 x 30 mm



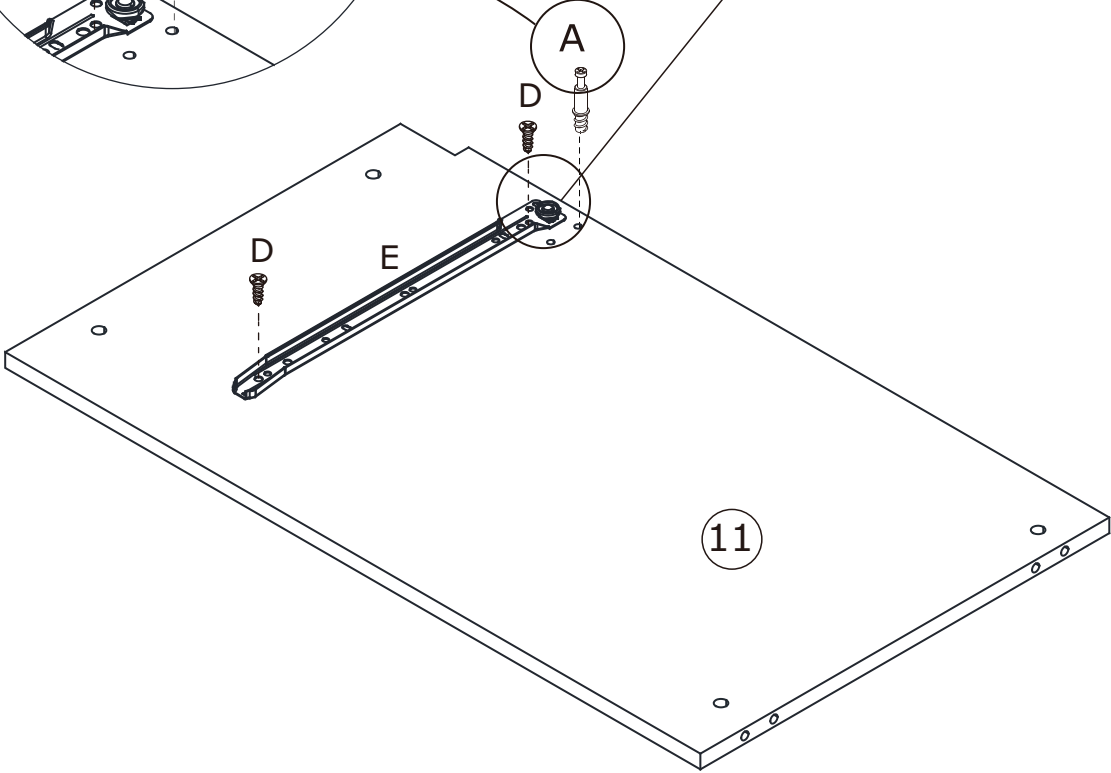
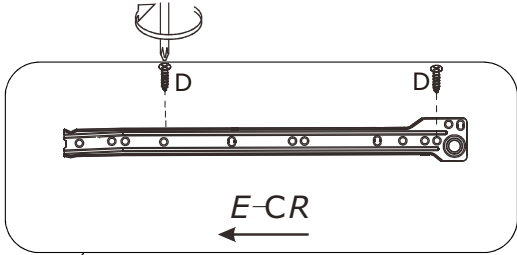
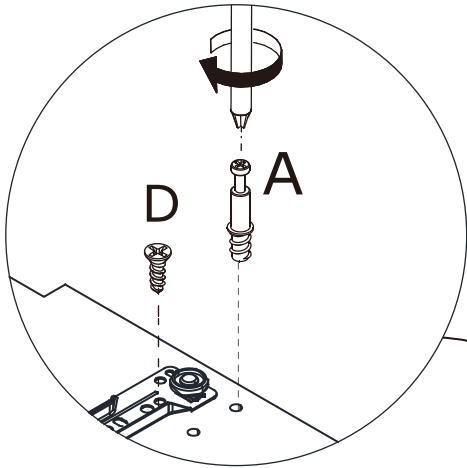
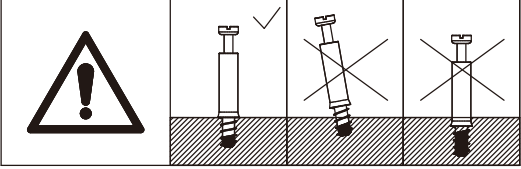
Attach plate 16 and 17 to plate 15 with wooden dowel(C), put cam lock(B) into holes in plate 16,17 and turn clockwise to tighten as shown.



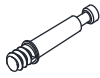


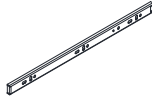
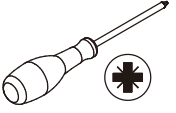
15

A x 1  Ø5 x 31 mm	D x 2  Ø3 x 12 mm	E x 1  L=300 mm	
--	--	--	---

Screw quickfit screw(A) into plate 11 at first.
Fix slide rail(E-CL) to plate 11 using screw(D)
as shown.

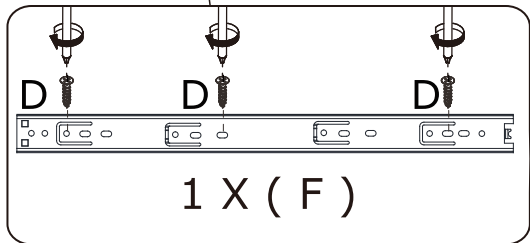
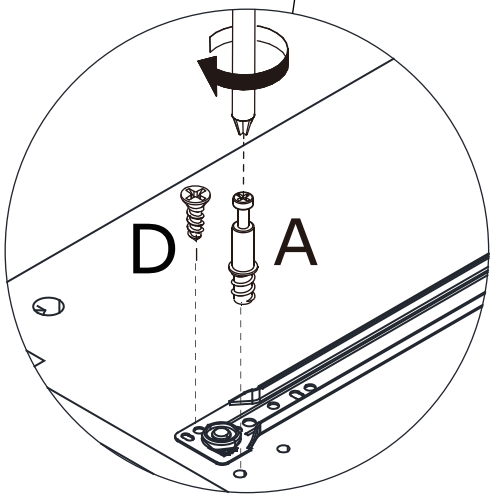
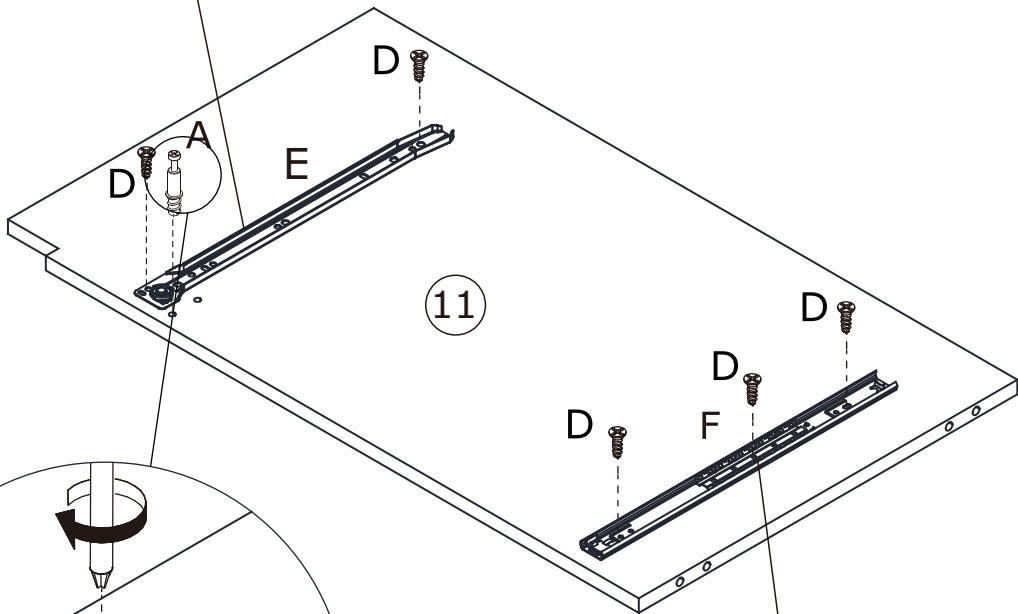
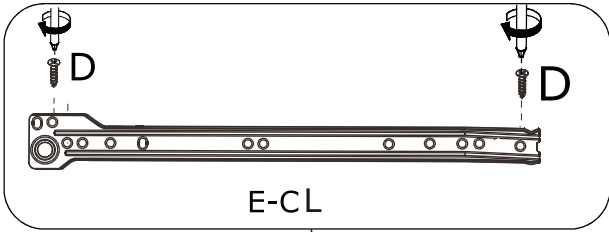
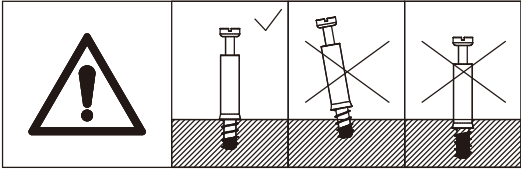


16

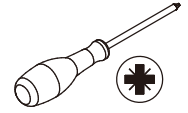
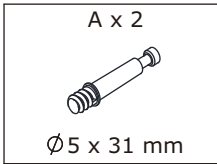
<p>A x 1</p>  <p>∅5 x 31 mm</p>	<p>D x 5</p>  <p>∅3 x 12 mm</p>	<p>E x 1</p>  <p>L=300 mm</p>	<p>F x 1</p>  <p>L=350 mm</p>	
--	--	--	---	---

Flip plate 11, screw quickfit screw(A) into at first.

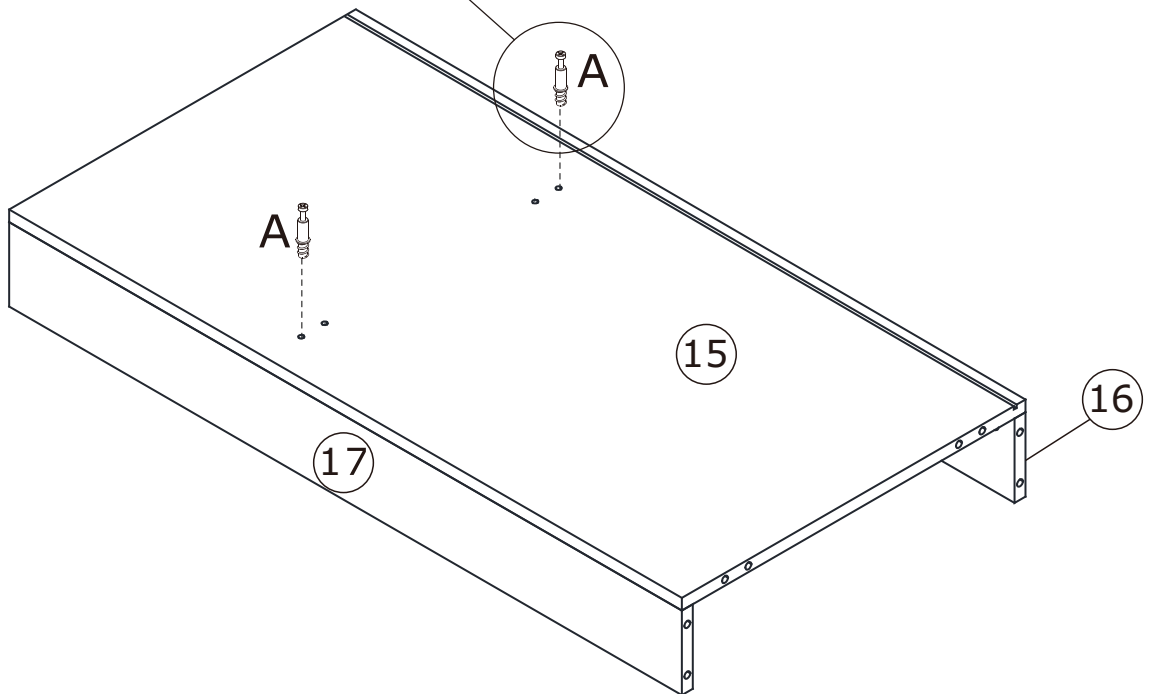
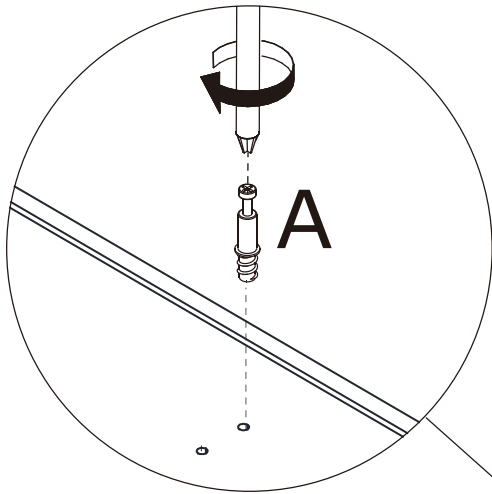
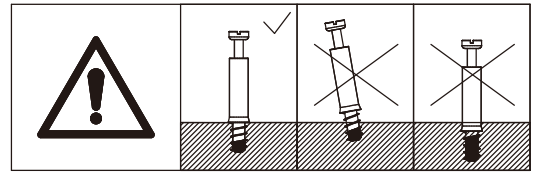
Fix slide rail(E-CR) and (F) to plate 11 using screw(D) as shown.



17



Screw quickfit screw(A) into plate 15 at first.



18

B x 2

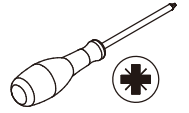


Ø15 x 9.5 mm

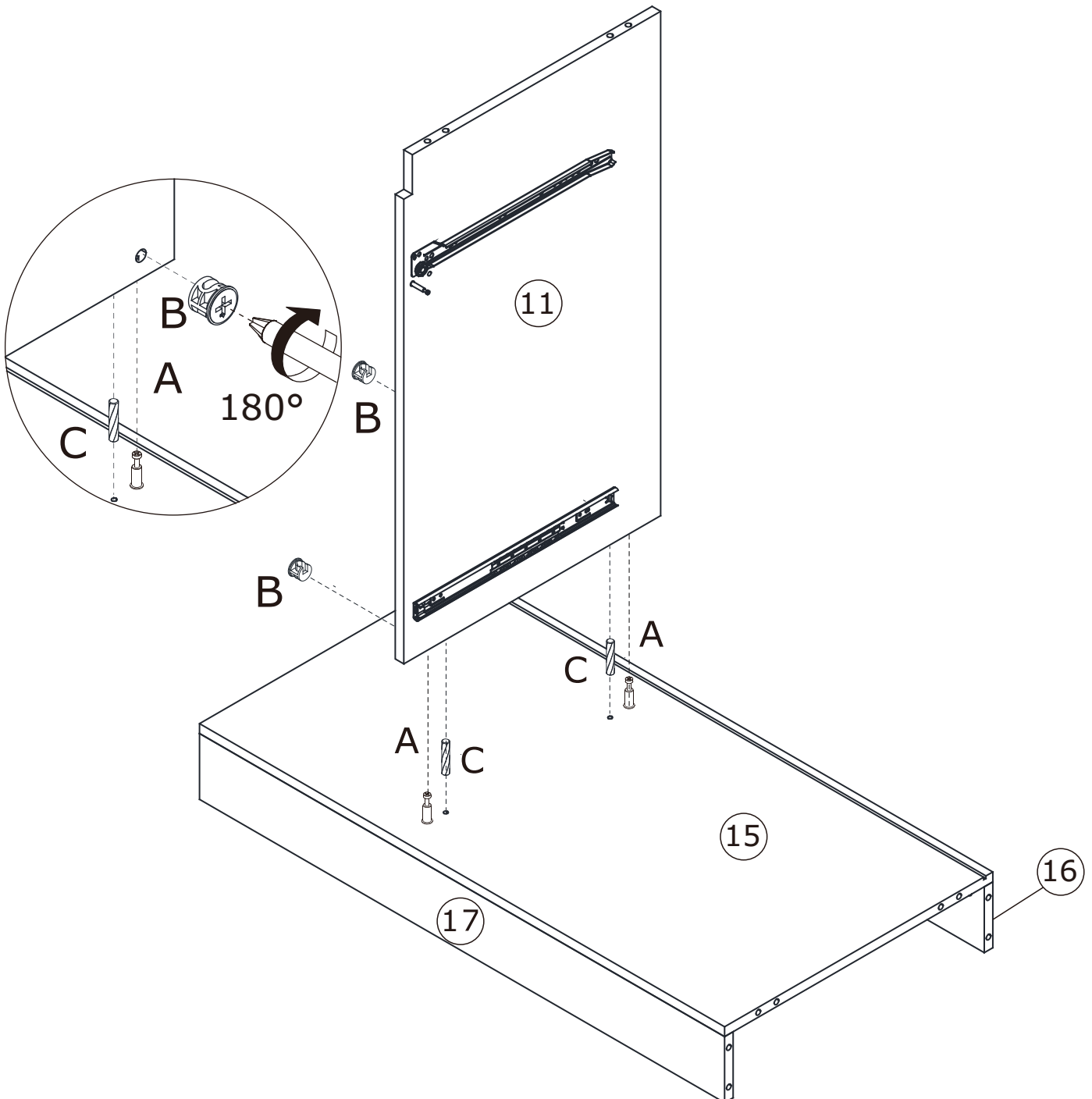
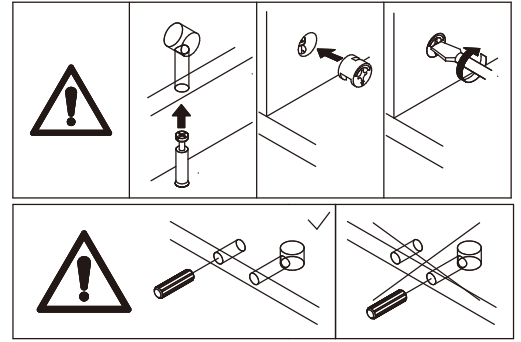
C x 2



Ø6 x 30 mm



Attach plate 11 to plate 15 with wooden dowel(C), put cam lock(B) into holes in plate 11 and turn clockwise to tighten as shown.



19

B x 2

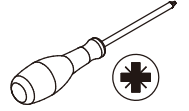


Ø15 x 9.5 mm

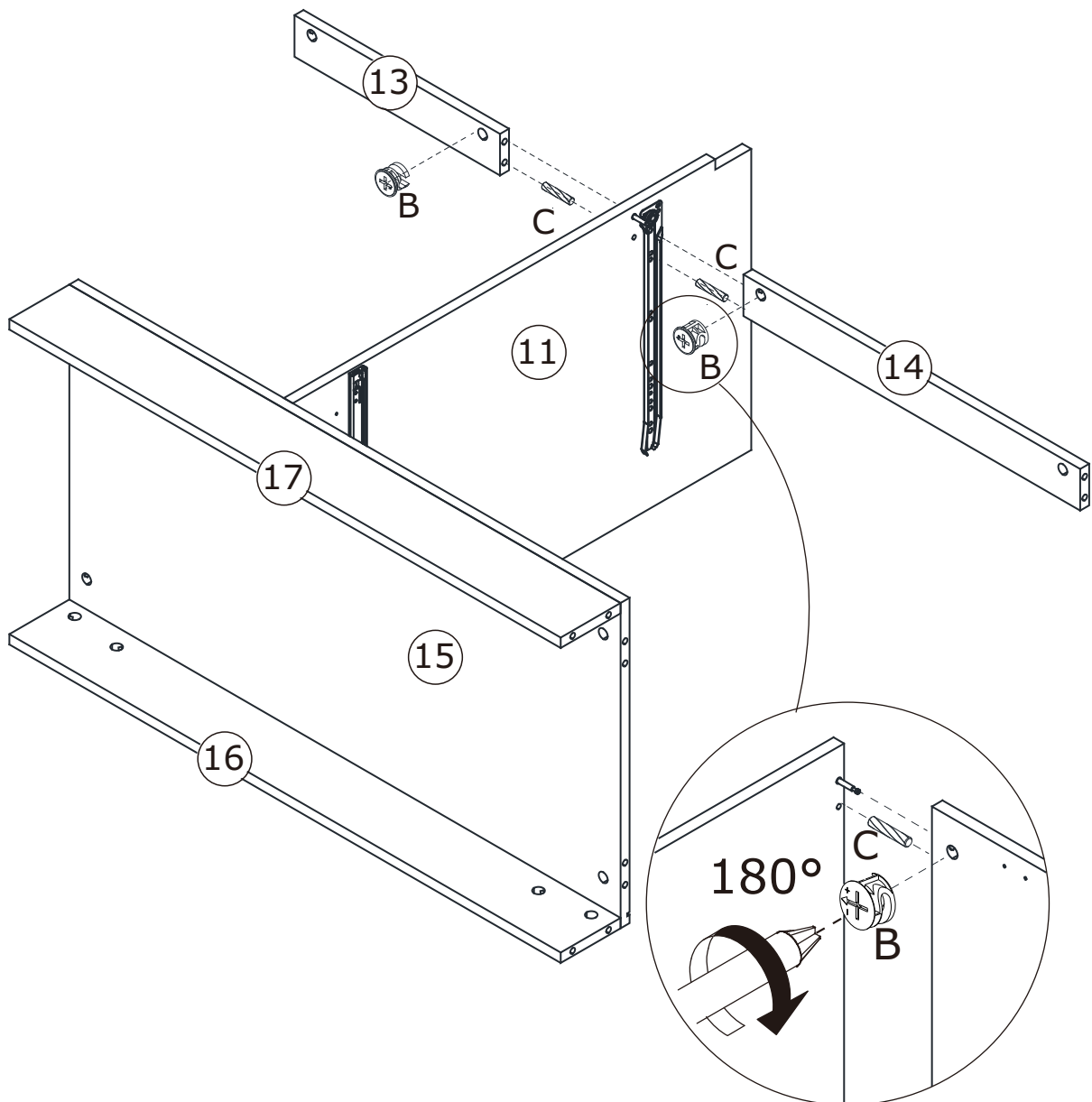
C x 2



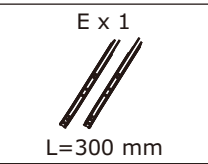
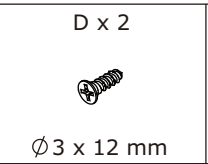
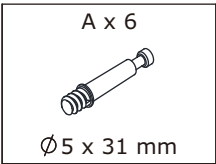
Ø6 x 30 mm



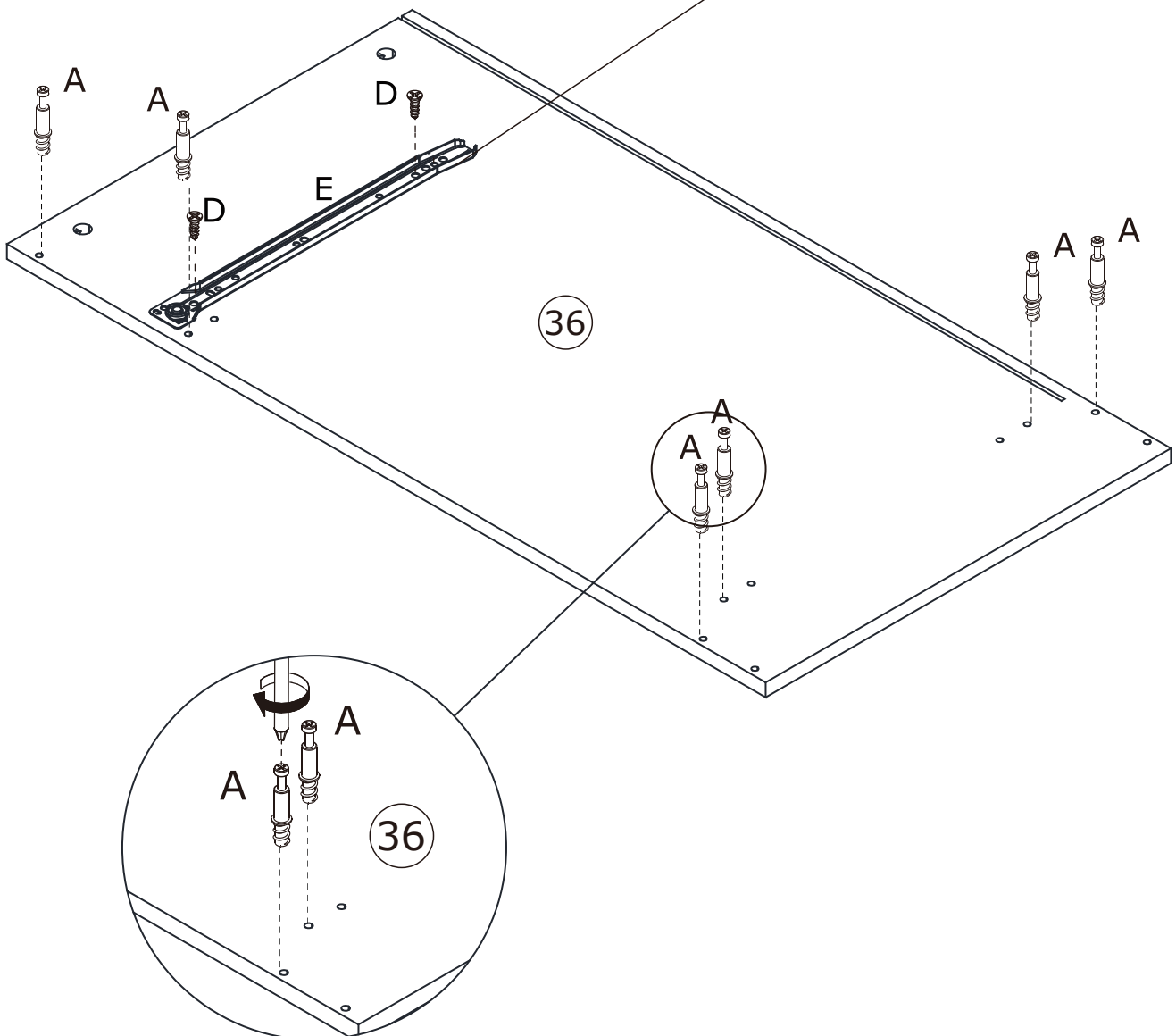
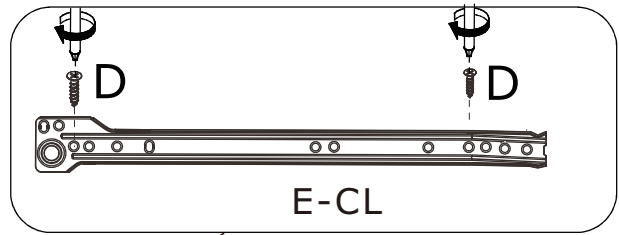
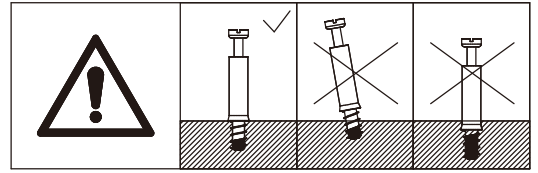
Connect plate 13 and 14 with plate 11 using wooden dowel(C), put cam lock(B) into holes in plate 13,14 and turn clockwise to tighten as shown.




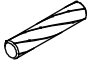

20

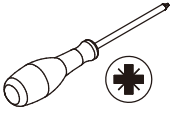


Screw quickfit screw(A) into plate 36 at first.
Fix slide rail(E-CR) to plate 36 using screw(D) as shown.

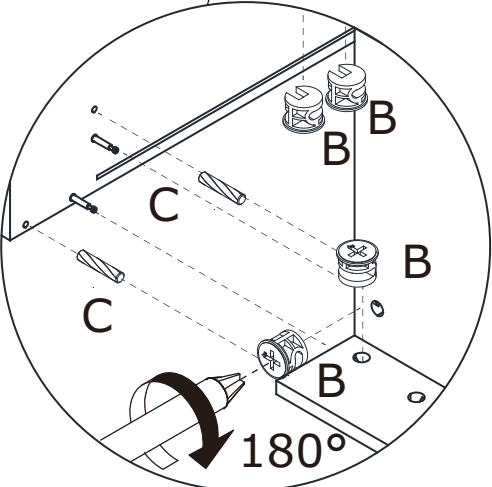
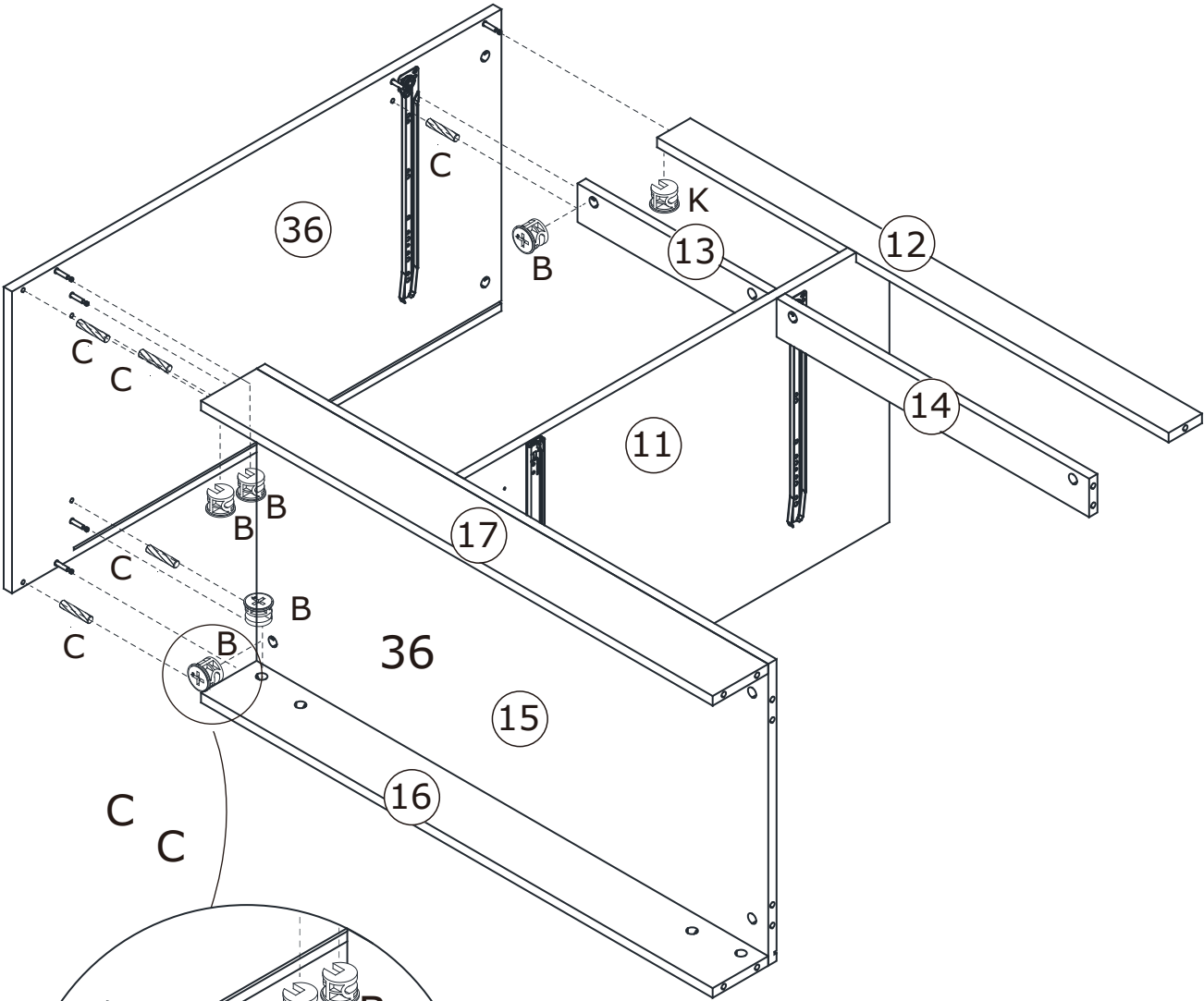
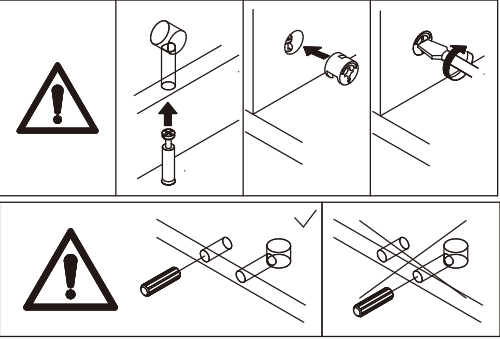


21

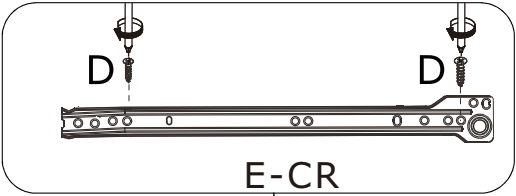
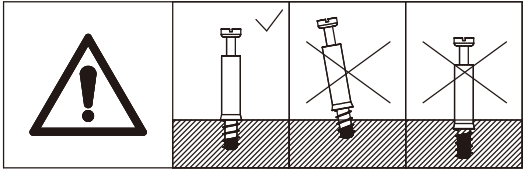
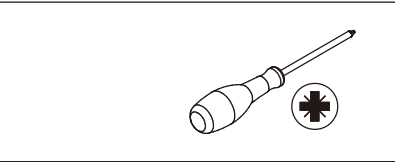
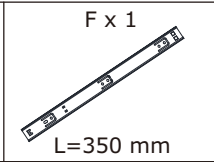
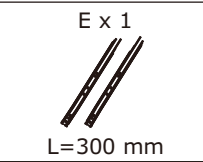
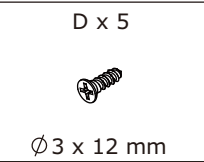
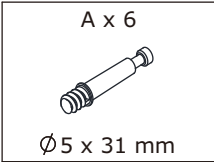
B x 5  Ø 15 x 9.5 mm	C x 5  Ø 6 x 30 mm	K x 1  Ø 15 x 11 mm
---	---	--



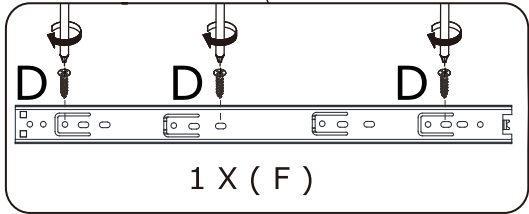
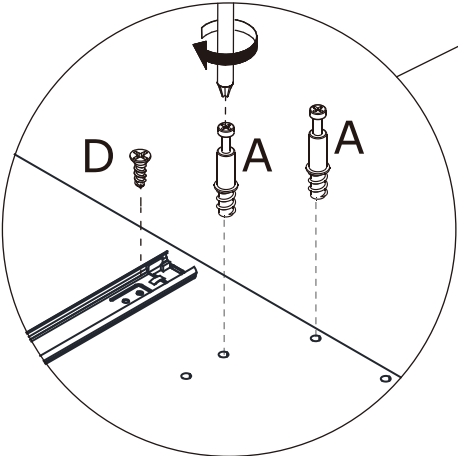
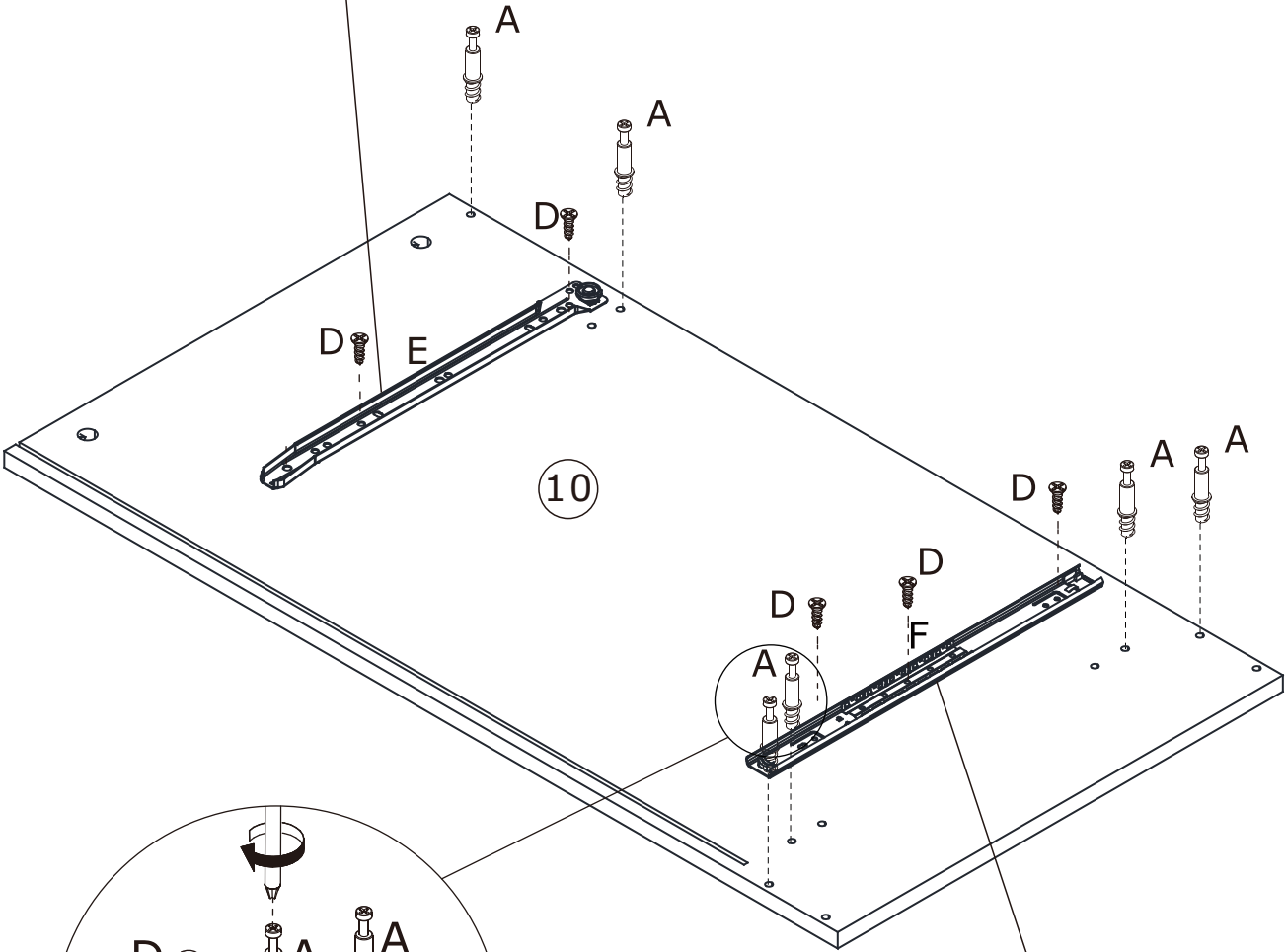
Attach plate 36 to plate 12,13,17 and 16 with wooden dowel(C), put cam lock(B) into holes in plate 12,13,17,16 and turn clockwise to tighten as shown.




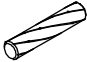

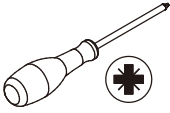
22



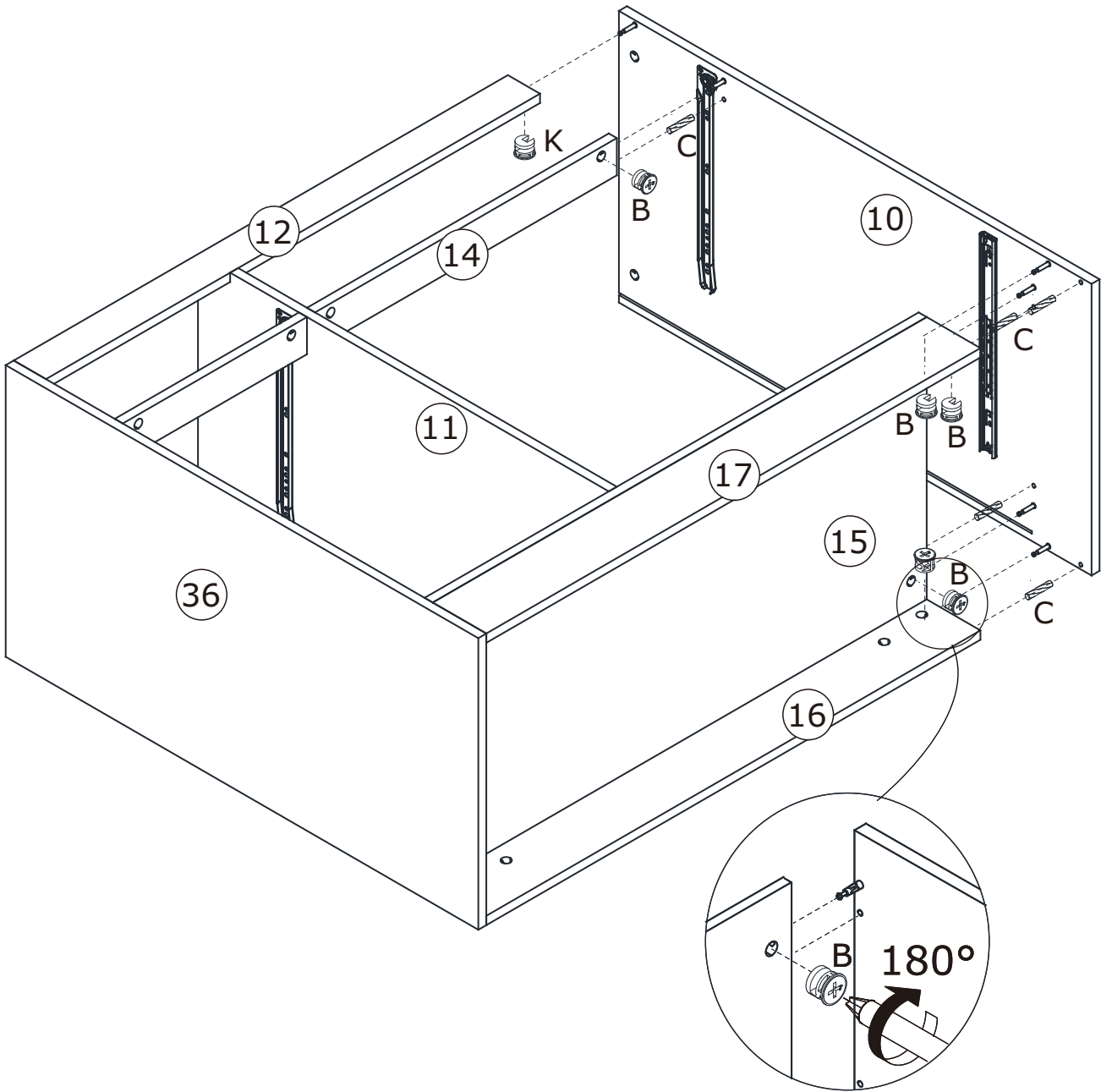
Screw quickfit screw(A) into plate 10 at first.
Fix slide rail(E-CL) and (F) to plate 10 using screw(D) as shown.



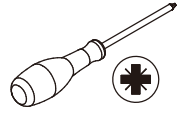
23

B x 5  Ø 15 x 9.5 mm	C x 5  Ø 6 x 30 mm	K x 1  Ø 15 x 11 mm	
---	---	--	---

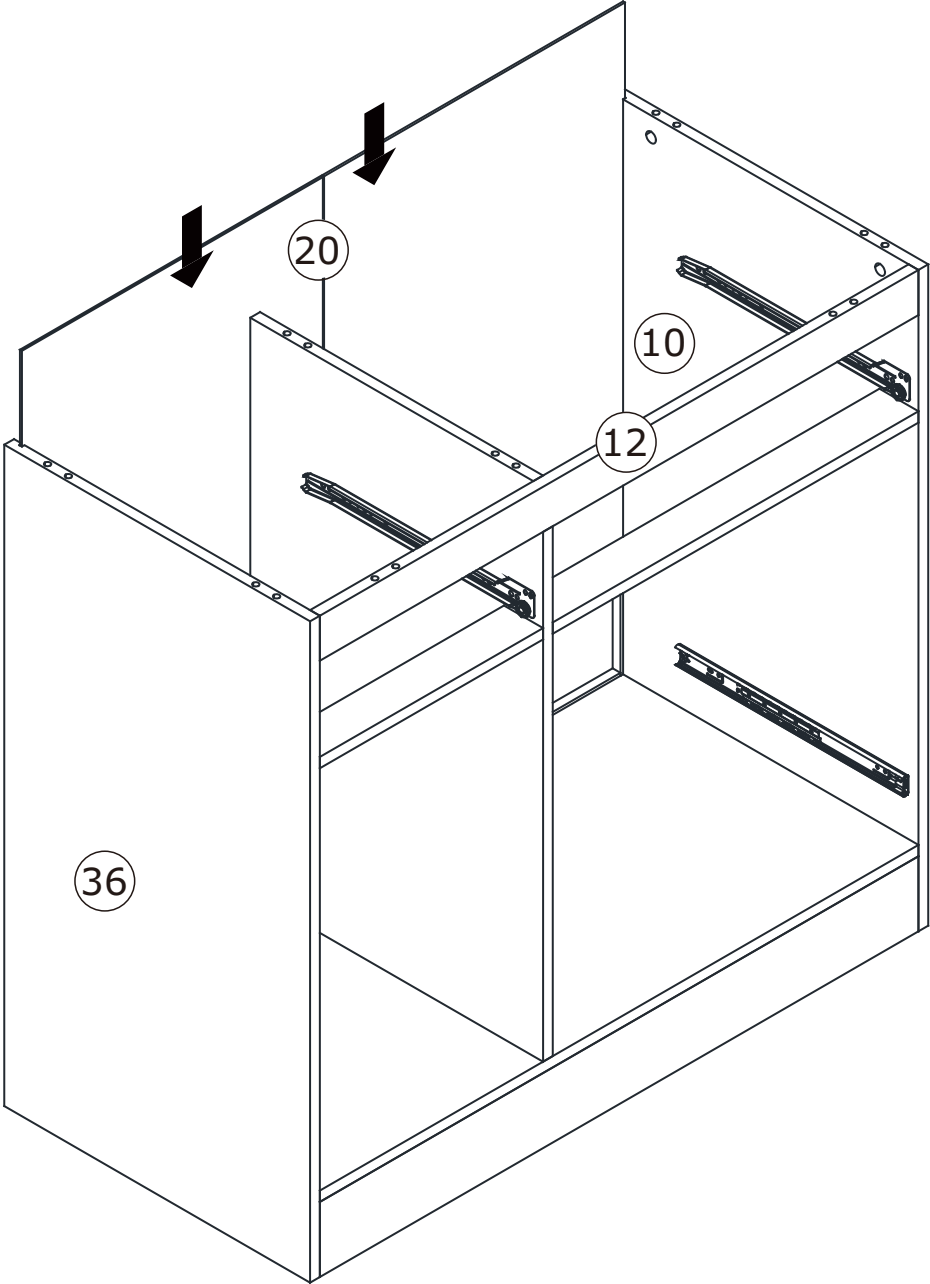
Attach plate 10 to plate 12,14,17 and 16 with wooden dowel(C), put cam lock(B) into holes in plate 12,14,17,16 and turn clockwise to tighten as shown.



24

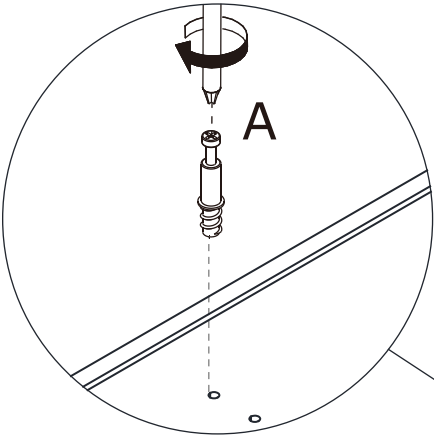
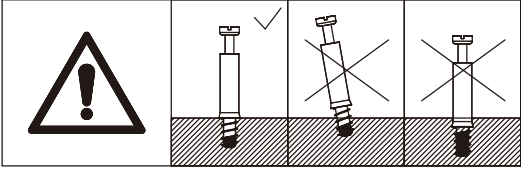
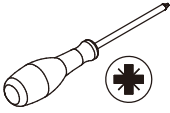


Slide plate 20 along grooves as shown.

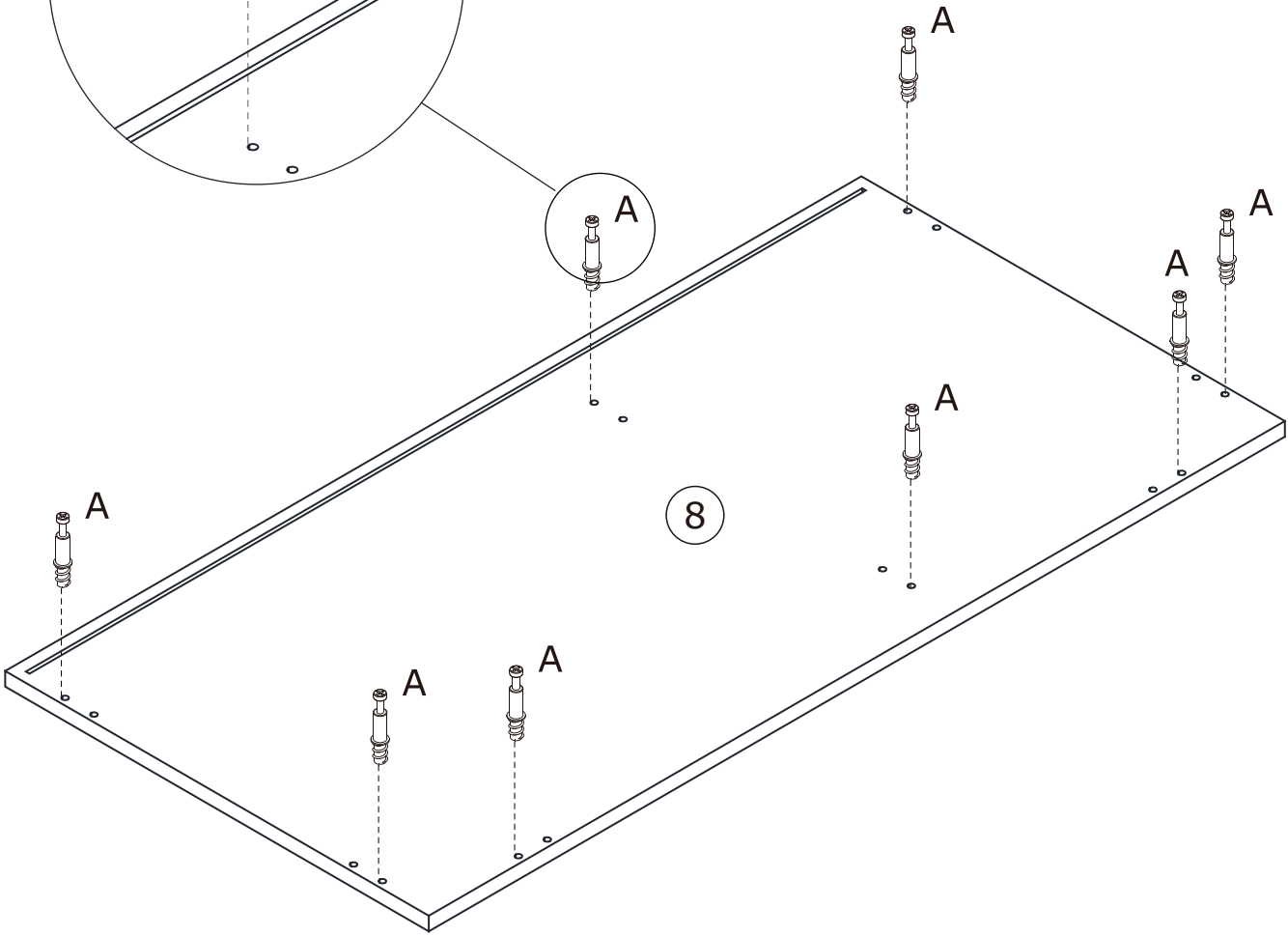


25


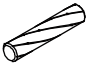

A x 8
Ø5 x 31 mm

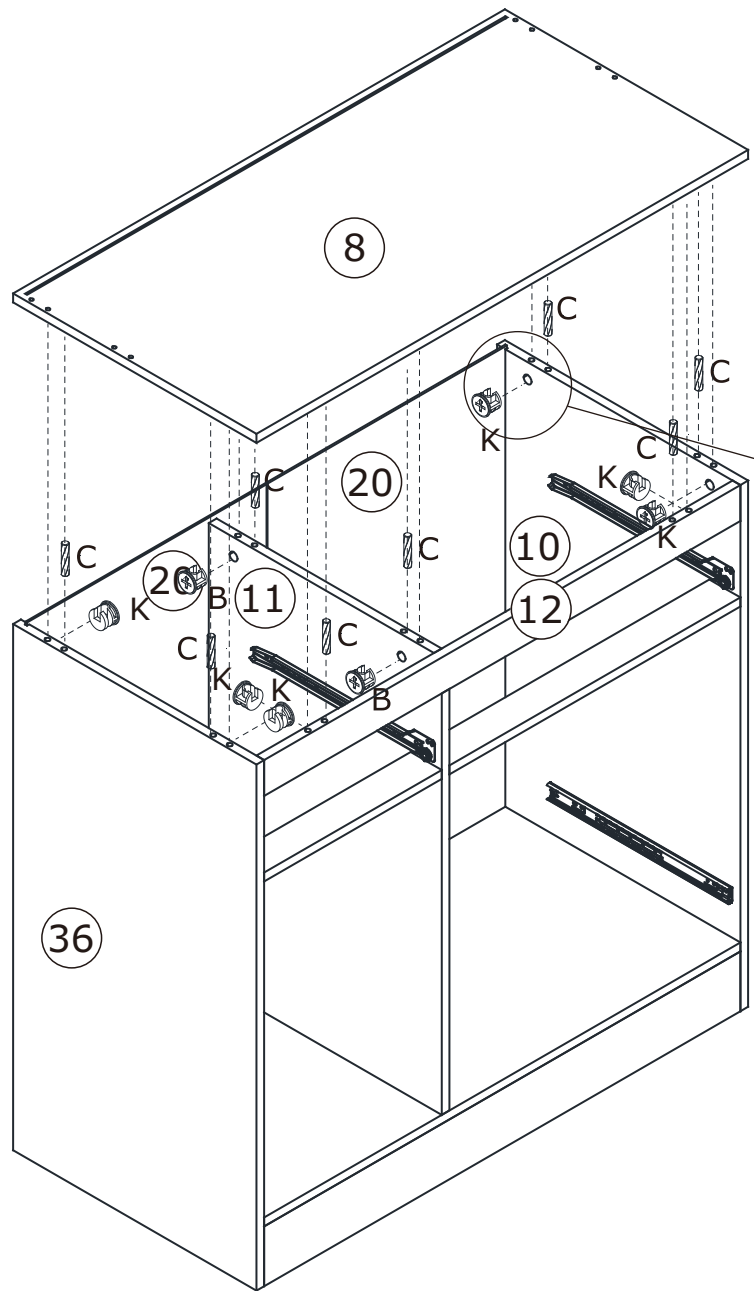
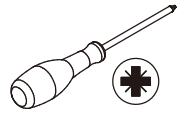


Screw quickfit screw(A) into corresponding holes in plate 8 as shown.



26

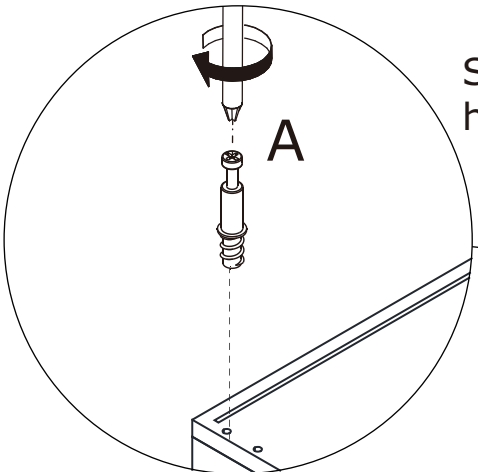
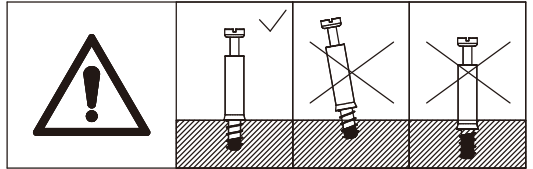
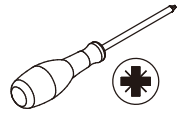
B x 2  Ø 15 x 9.5 mm	C x 8  Ø 6 x 30 mm	K x 6  Ø 15 x 11 mm
---	---	--



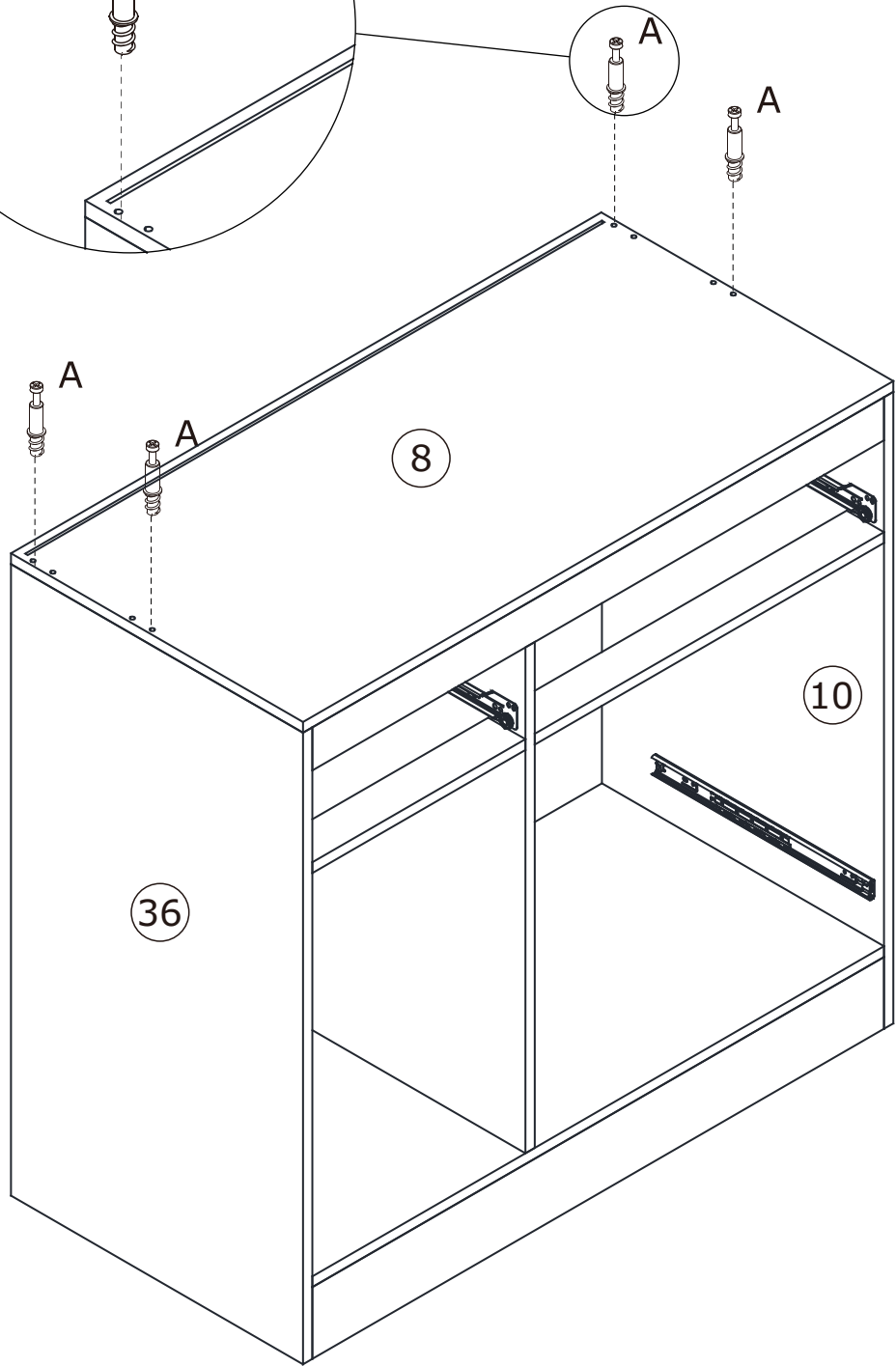
Cover plate 8 to the top with wooden dowel(C), put cam lock(B) into holes in plate 11; put cam lock(K) into holes in plate 36,12,10 and turn clockwise to tighten as shown.

27

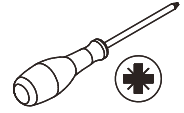
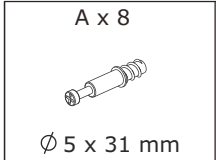
A x 4
Ø5 x 31 mm



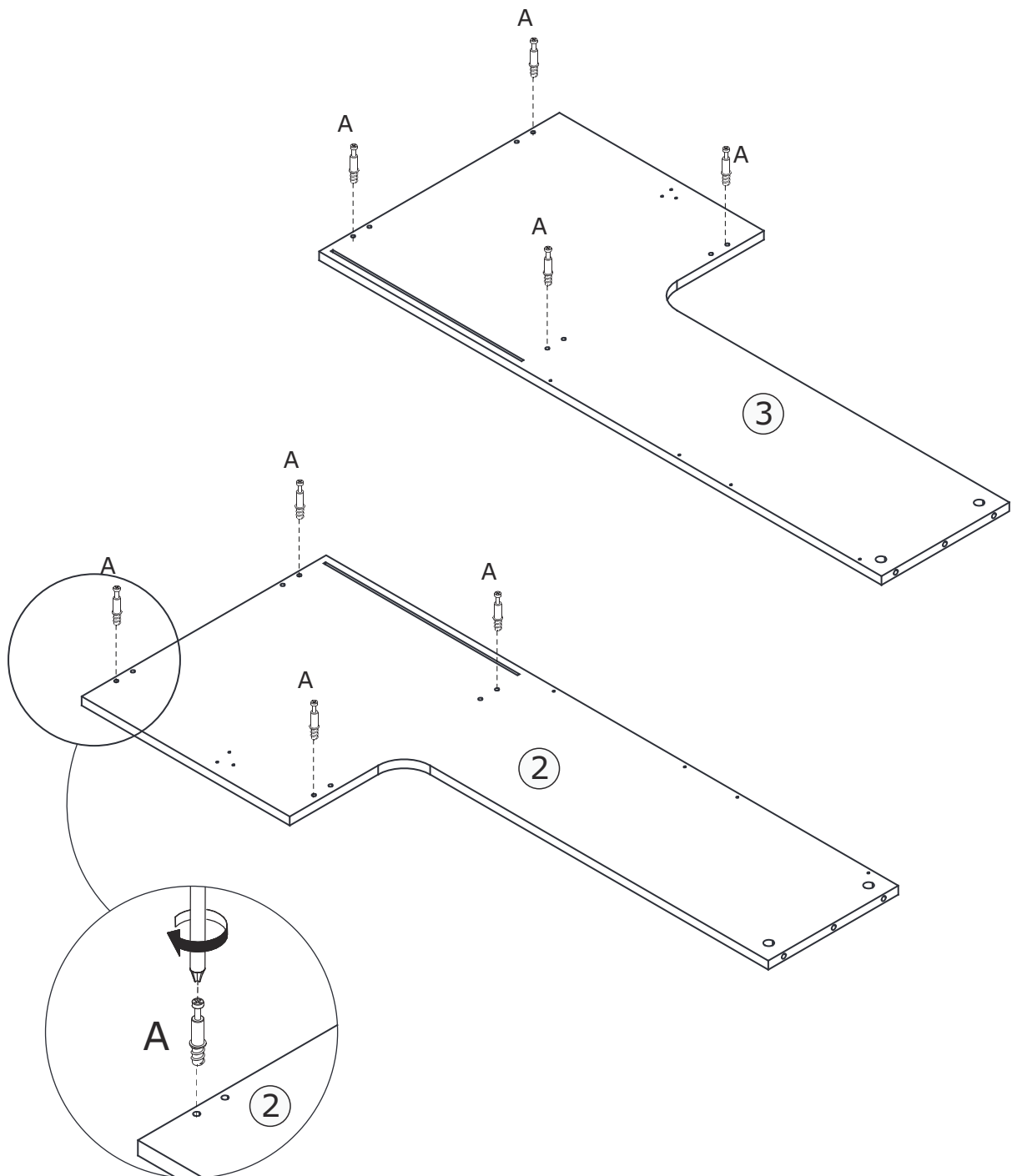
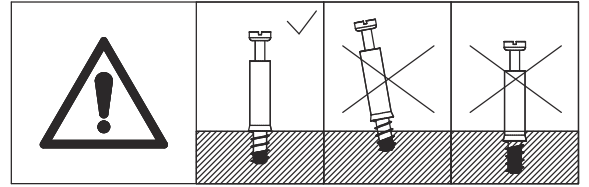
Screw quickfit screw(A) into corresponding holes in plate 8 as shown.



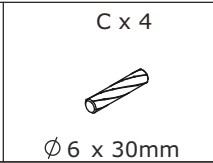
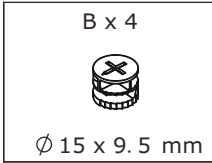
28



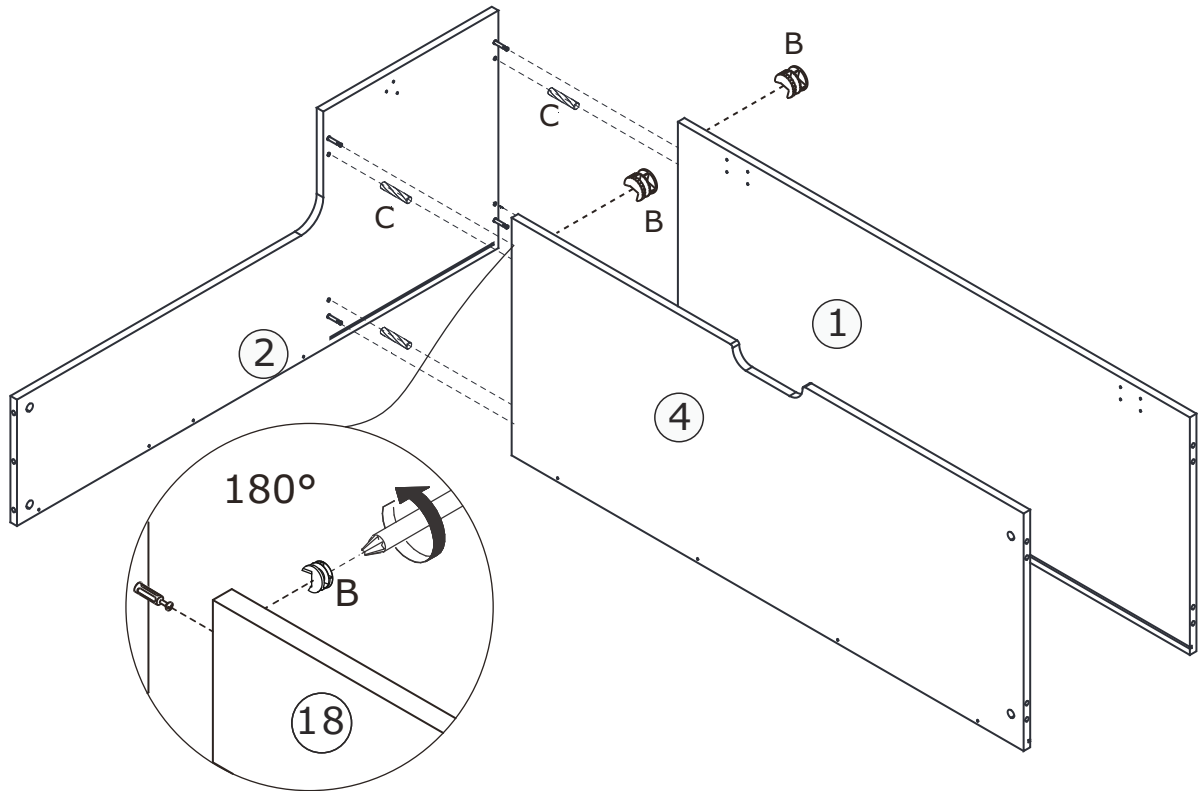
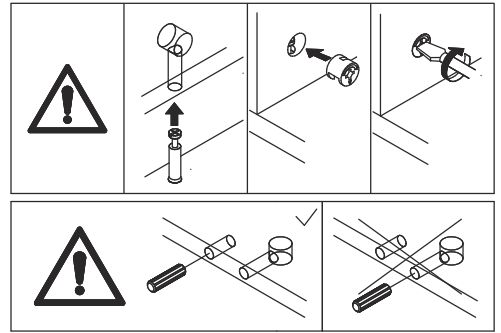
Insert quickfit screw(A) into corresponding holes in plate 2 and 3 as shown.



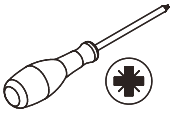
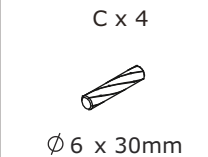
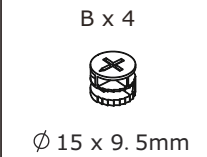
29



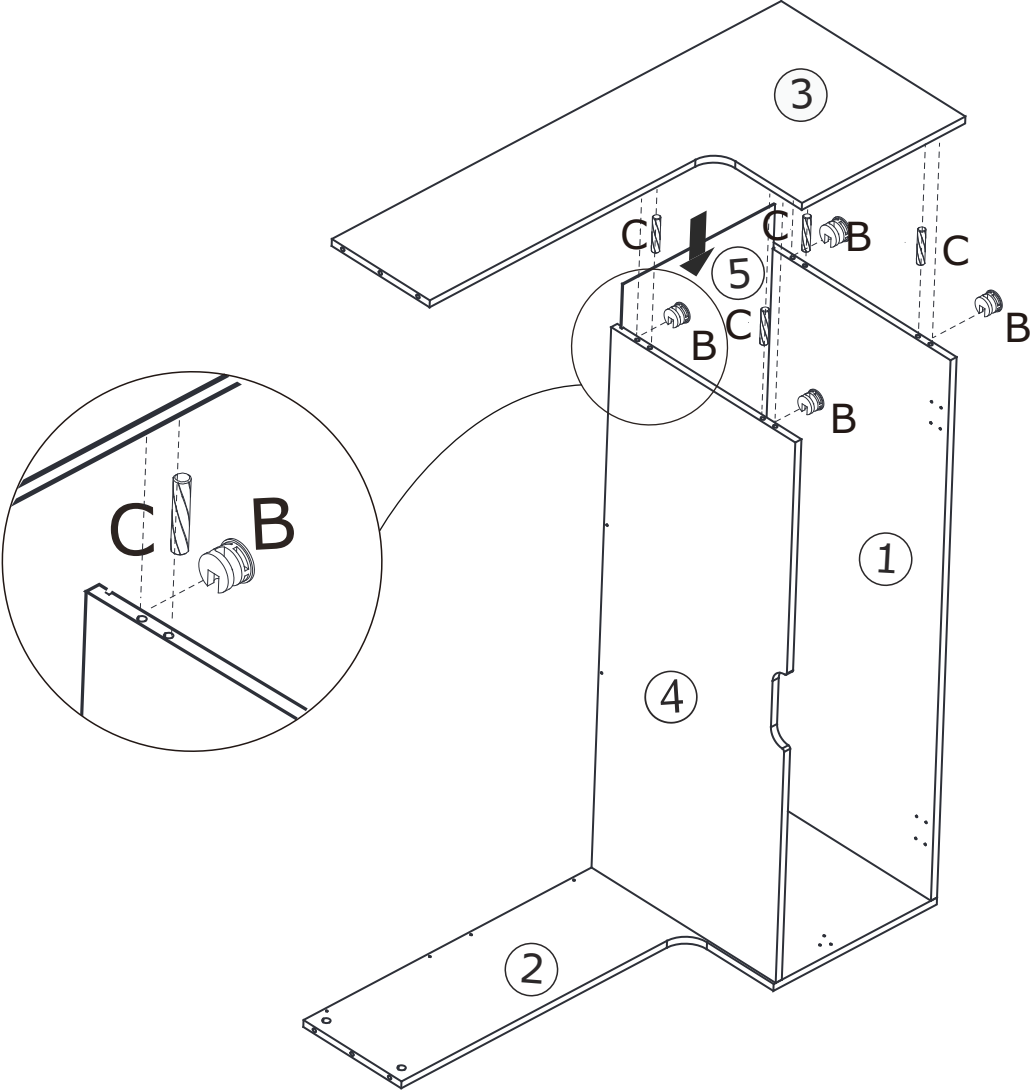
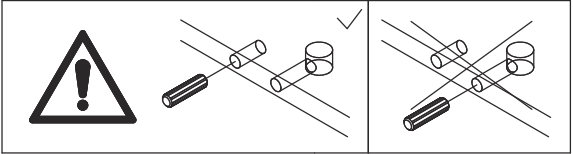
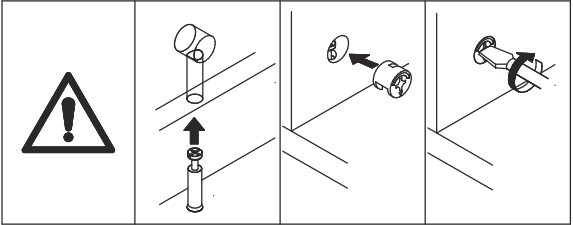
Attach plate 2 to plate 1 and 4 with wooden dowel(C), insert cam lock(B) into plate 1,4 and turn clockwise to tighten as shown.



30



Slide plate 5 into available slots at first. Attach plate 3 to another side of plate 1 and 4 with wooden dowel(C), insert cam lock(B) into plate 1,4 and turn clockwise to tighten as shown.

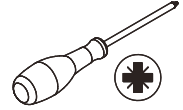


31

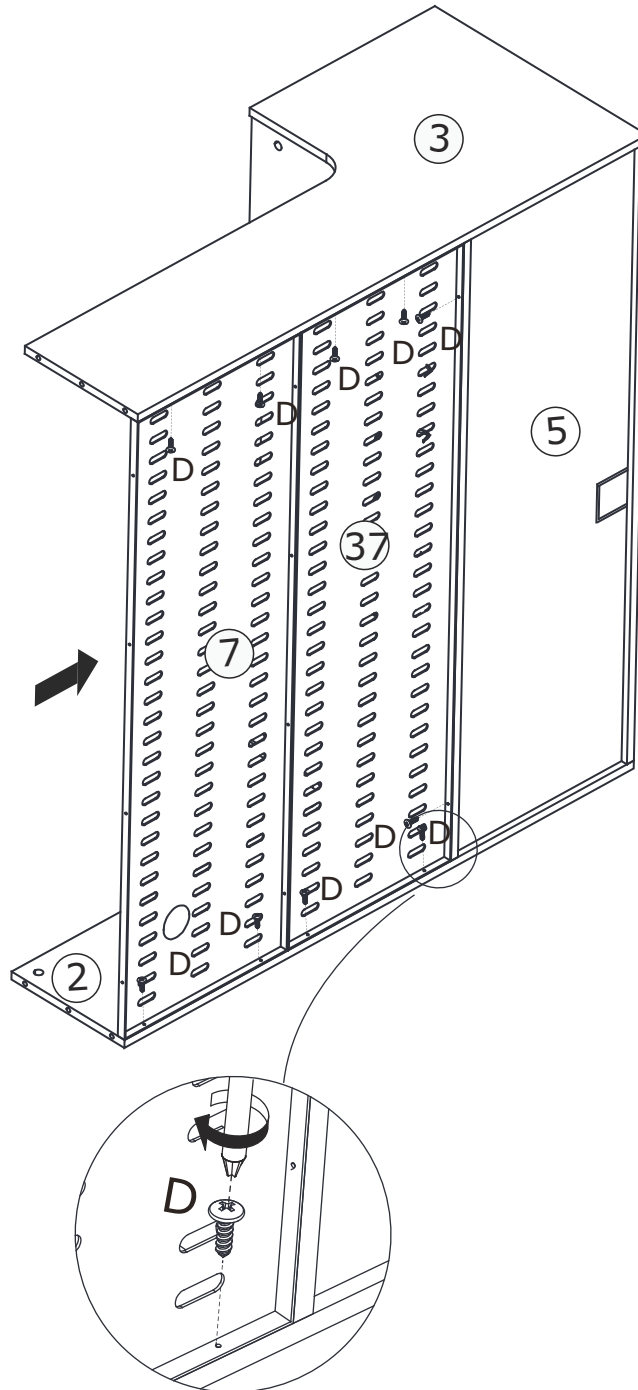
D x 10



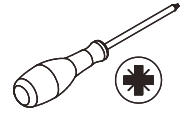
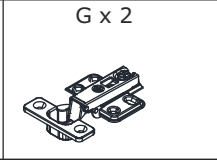
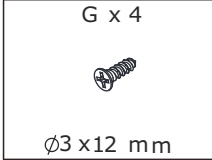
Ø 3 x 12 mm



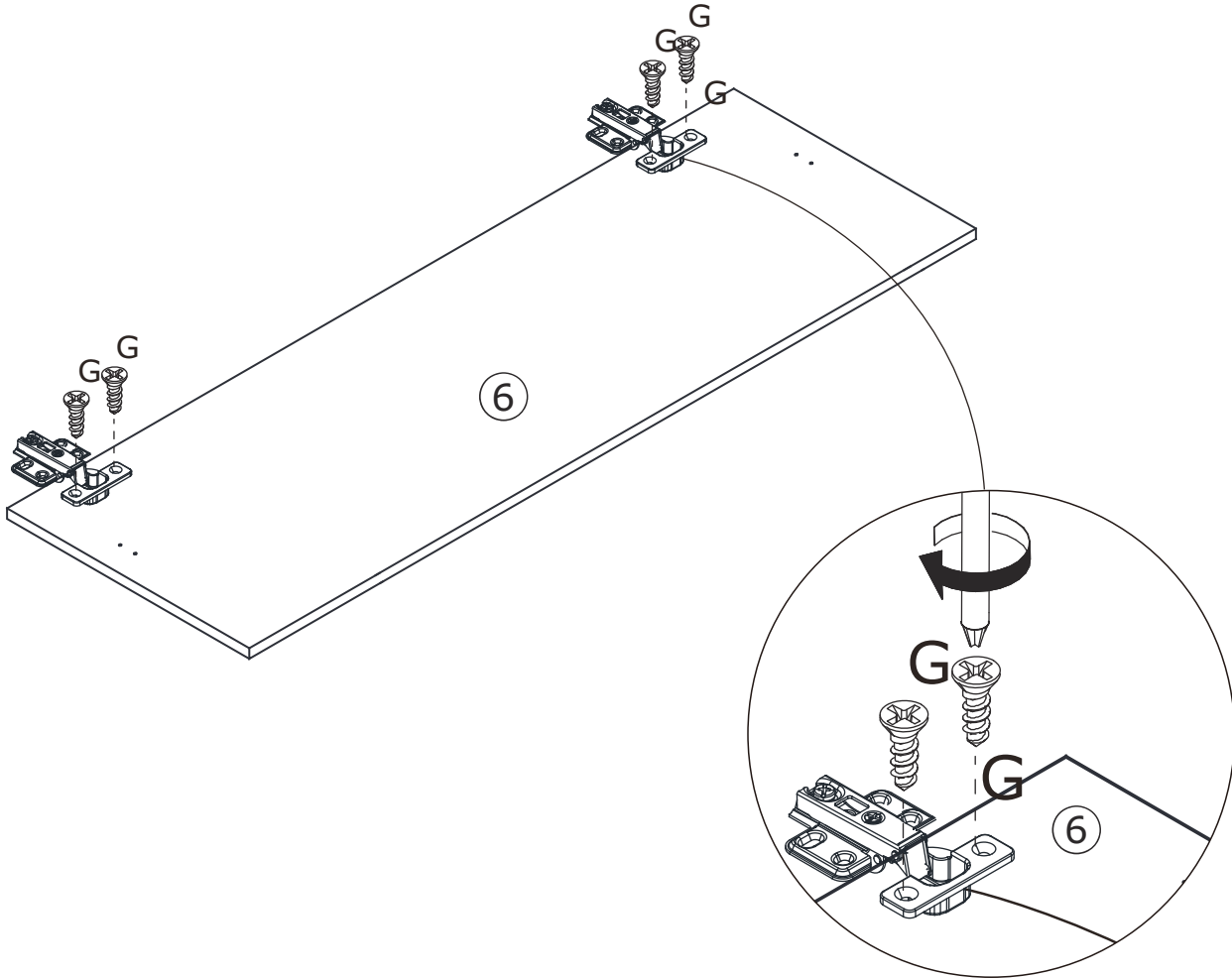
Fix iron plate 7 and 37 with plate 2,3 and 5 using screw(D) as shown.



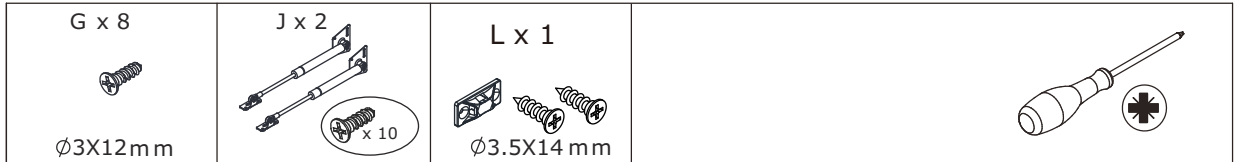
32



Fix hinge(G) to plate 6 using screw(G) as shown.

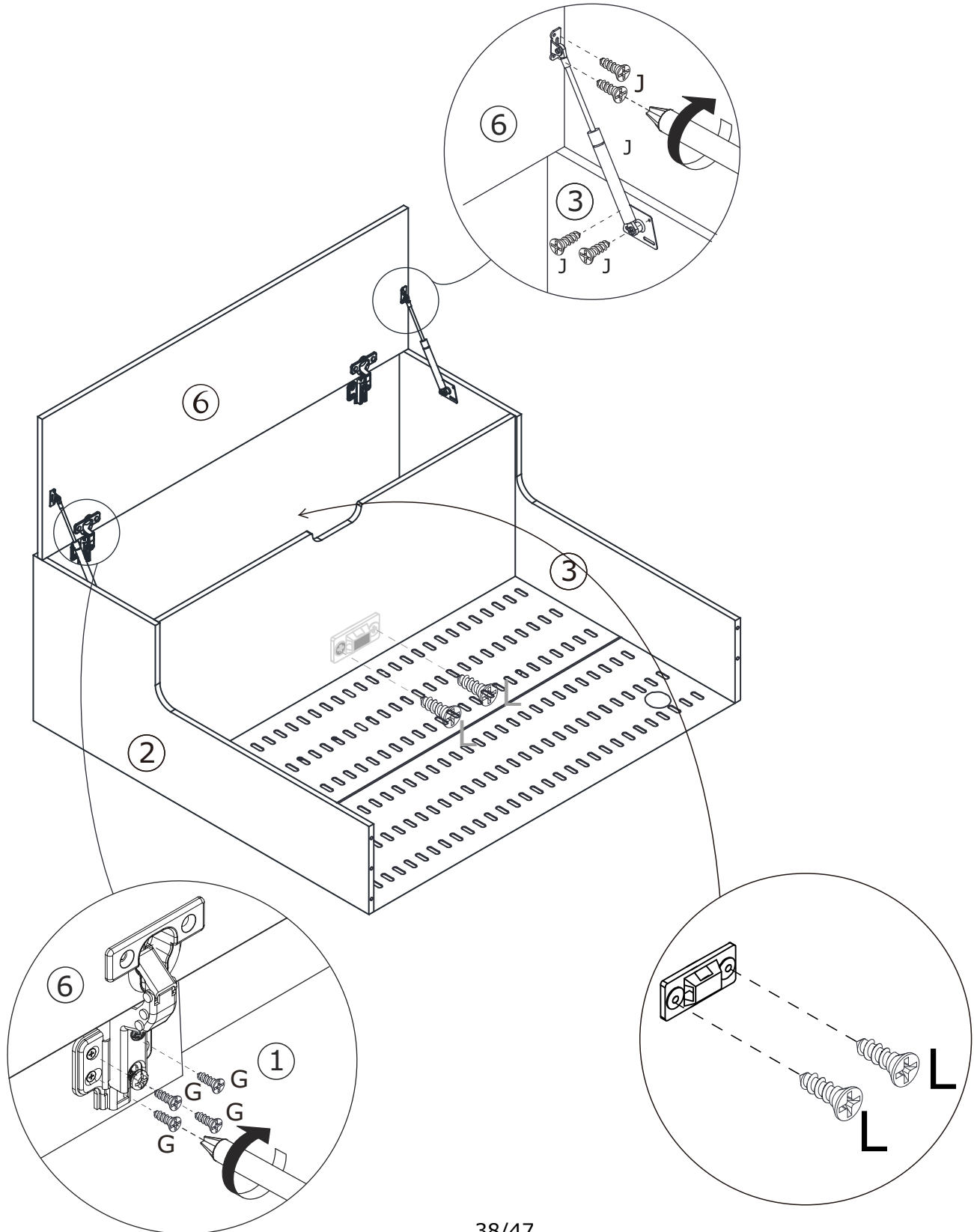


33



Attach door plate 6 to plate 1 by fixing hinge with screw(G) as shown.
Fix part(J) to plate 2,3 and 6 using screw(G) as shown.

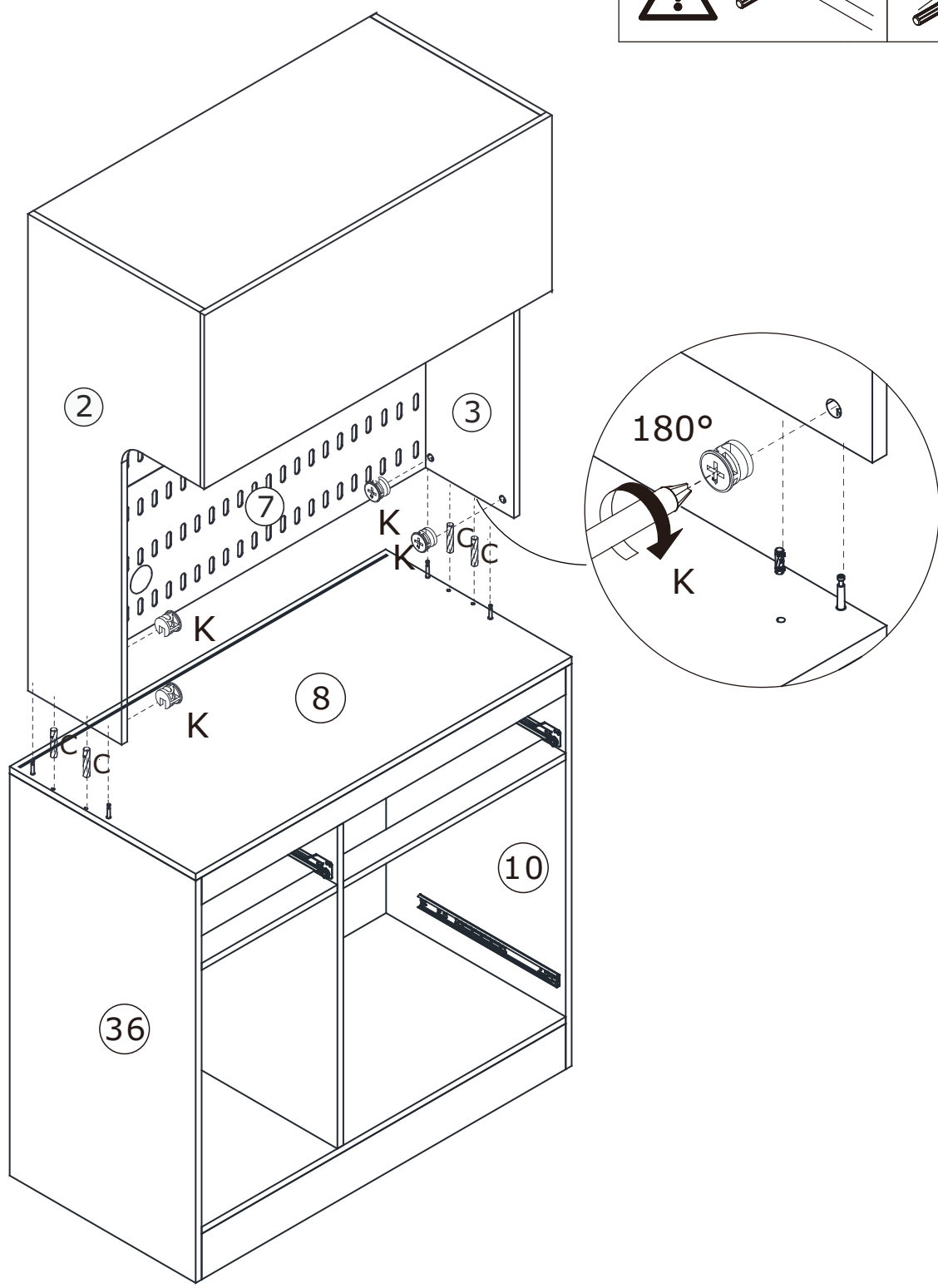
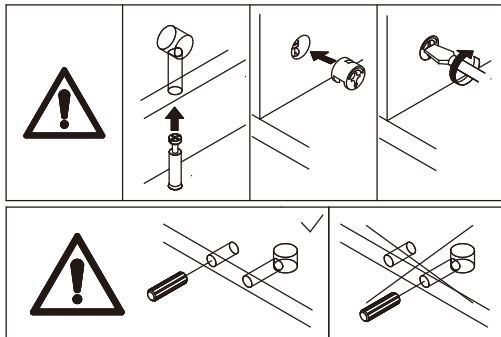
Fix part(L) to plate 1 as shown.



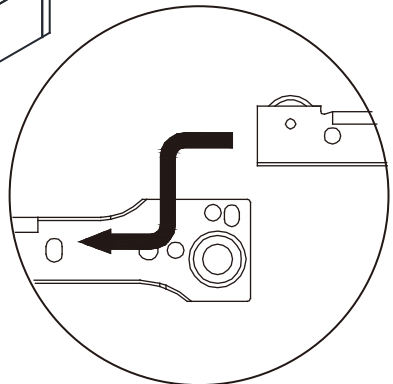
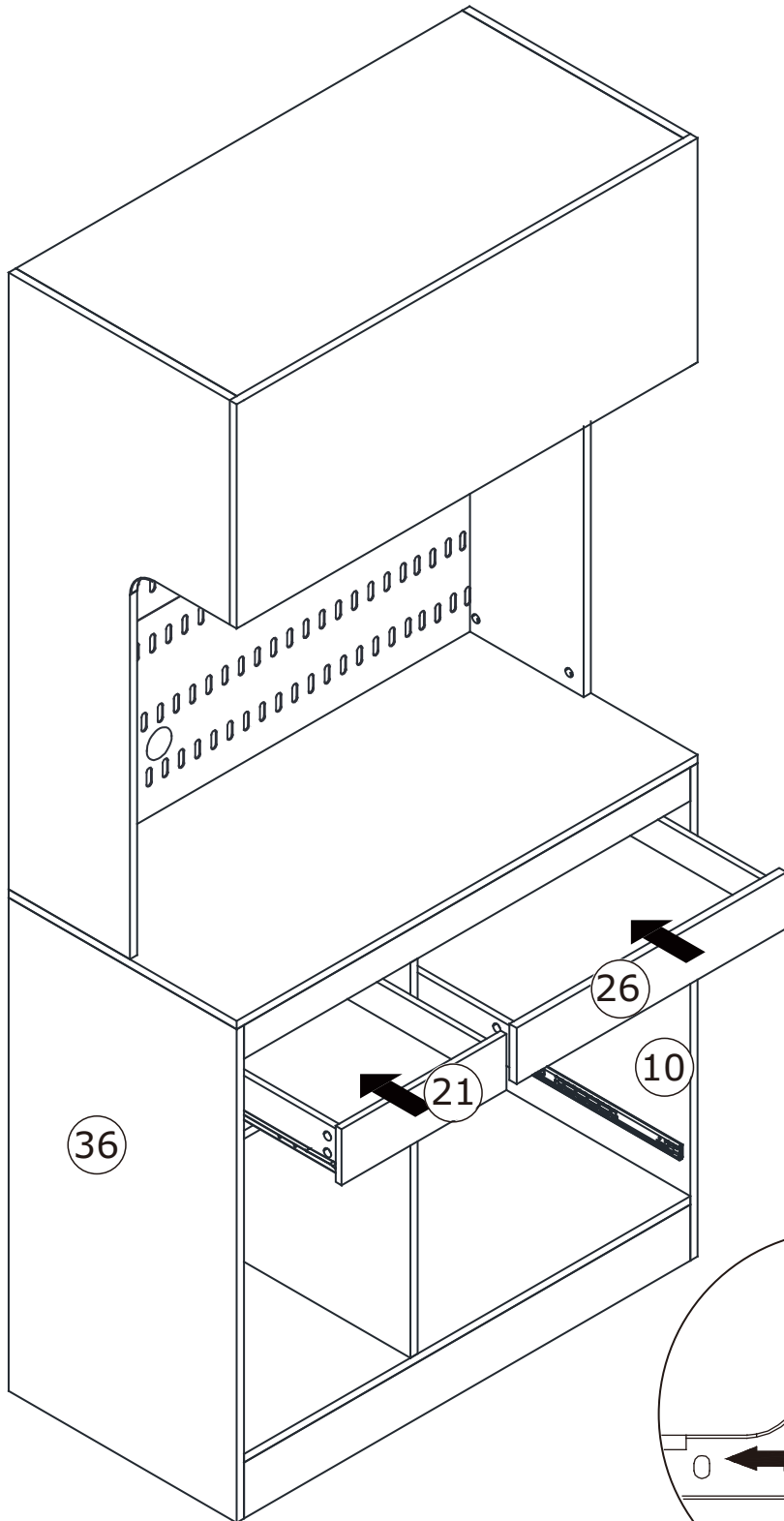
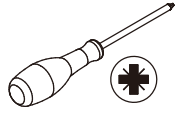
34

K x 4  Ø15 x 11 mm	C x 4  Ø6 x 30 mm	
---	--	---

Connect the two assembled components with wooden dowel(C), put cam lock(K) into holes in plate 2,3 and turn clockwise to tighten as shown.

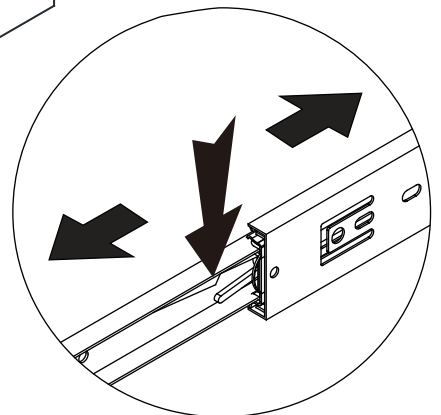
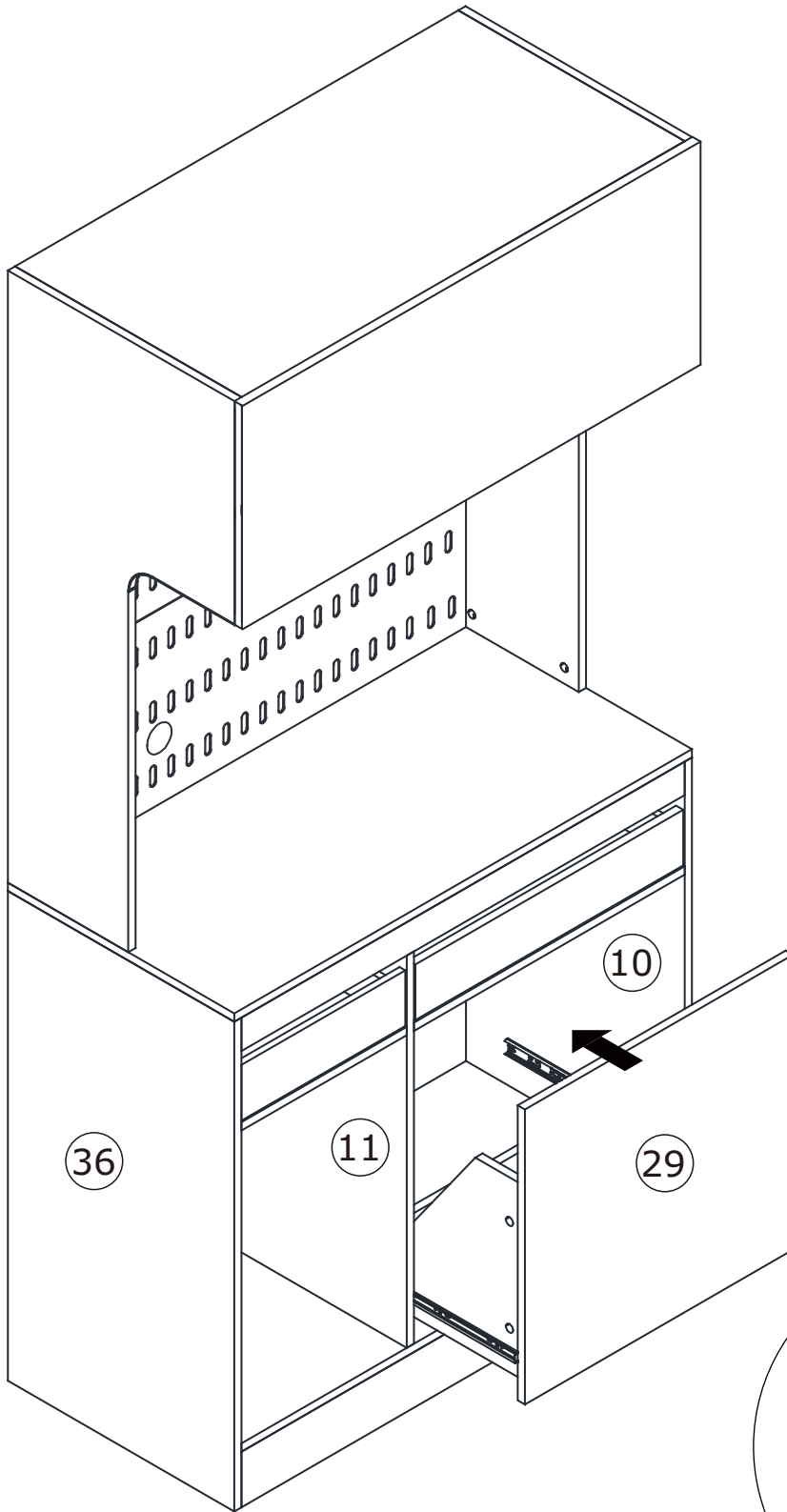
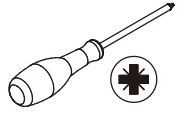


35



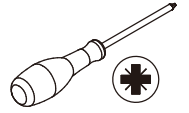
Slide drawers.

36

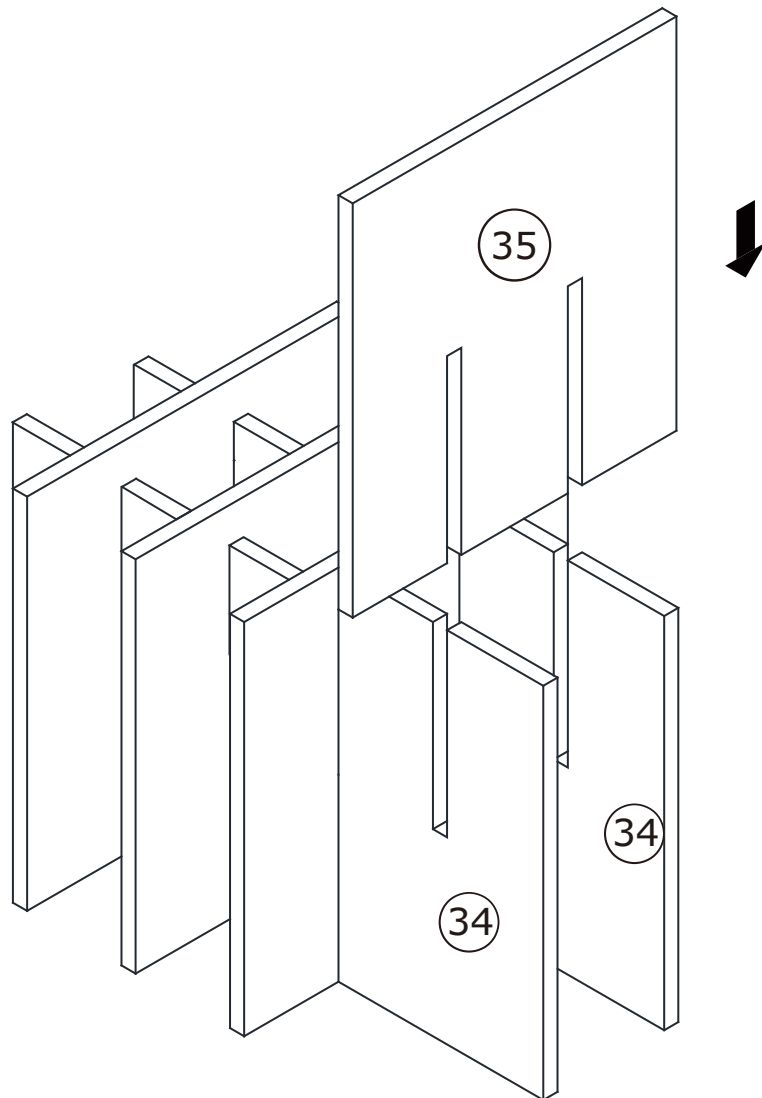


Slide the big drawer.

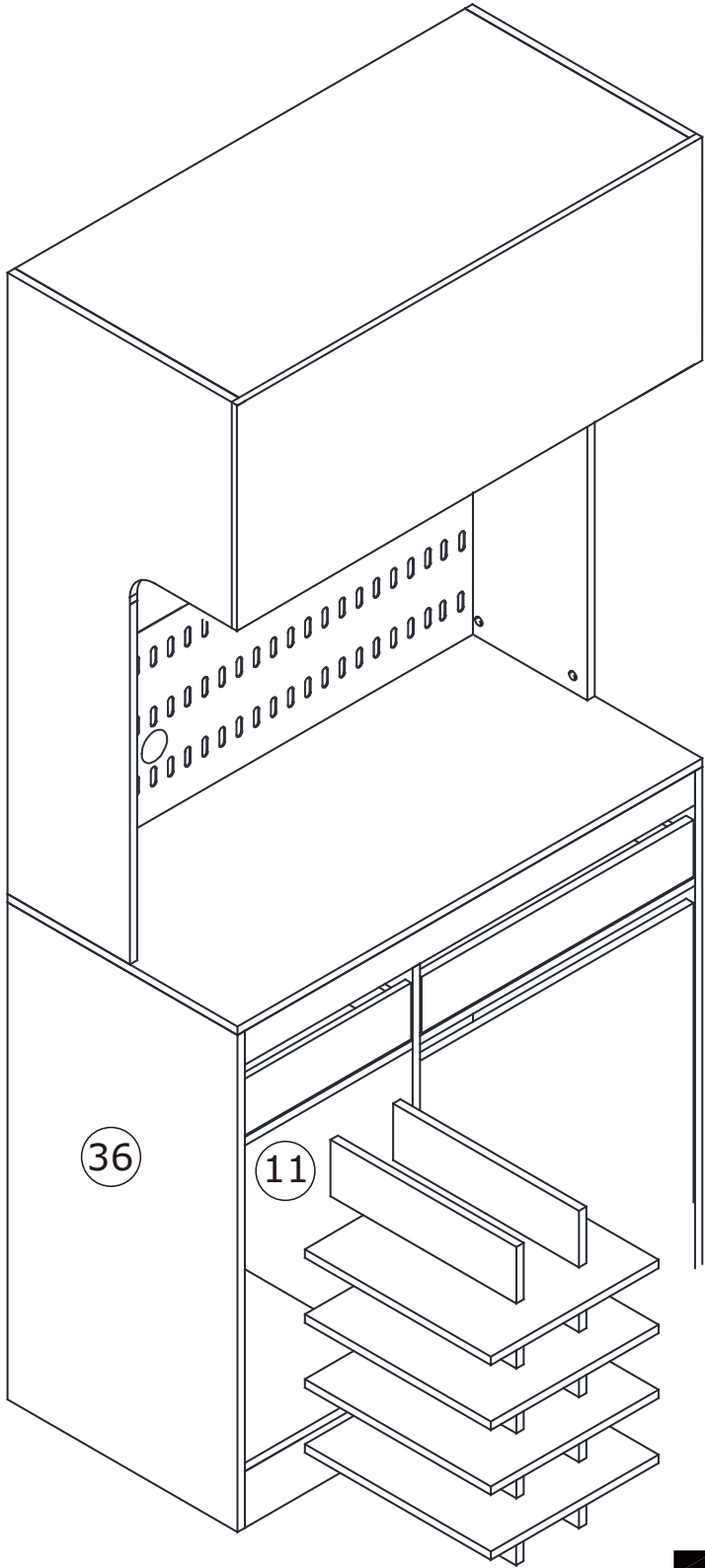
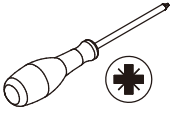
37



Connect plate 35 with plate 34 as shown.




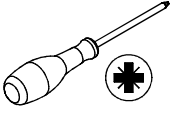


38

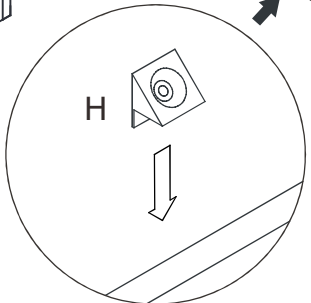
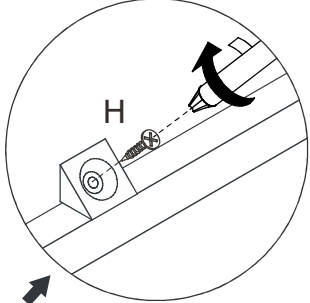
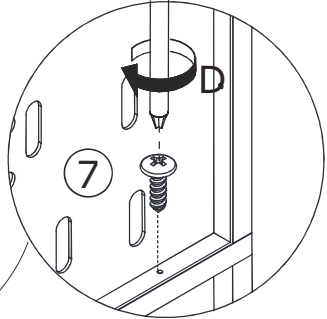
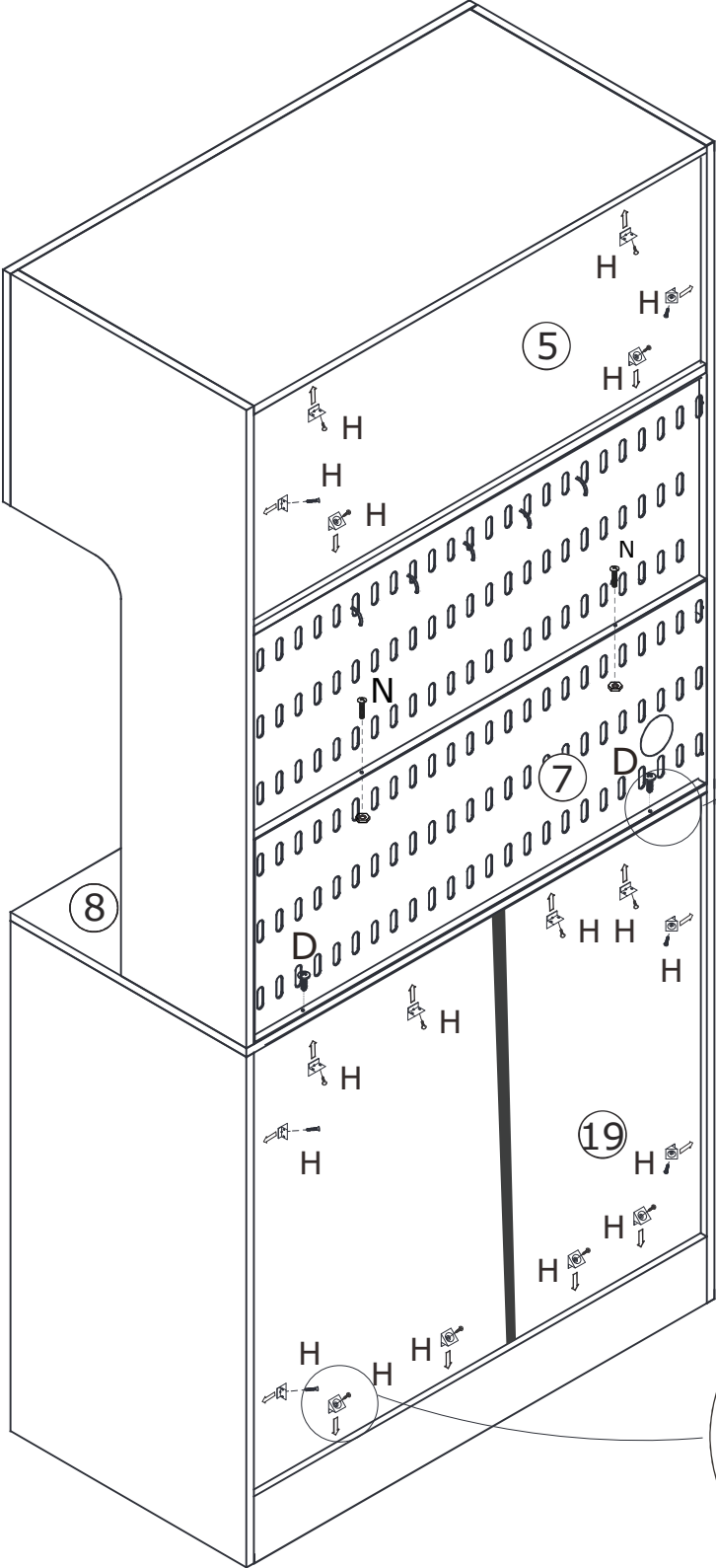


Place the part to shelf.

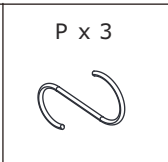
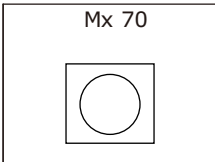
39

<p>H x 18</p>  <p>Ø3 x 12 mm</p>	<p>D x 2</p>  <p>Ø3 x 12 mm</p>	<p>N x 2</p> 	
---	--	--	---

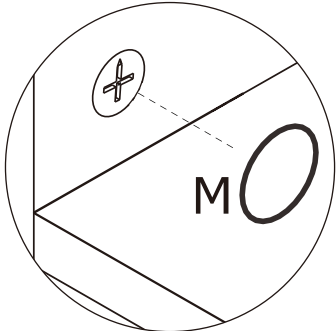
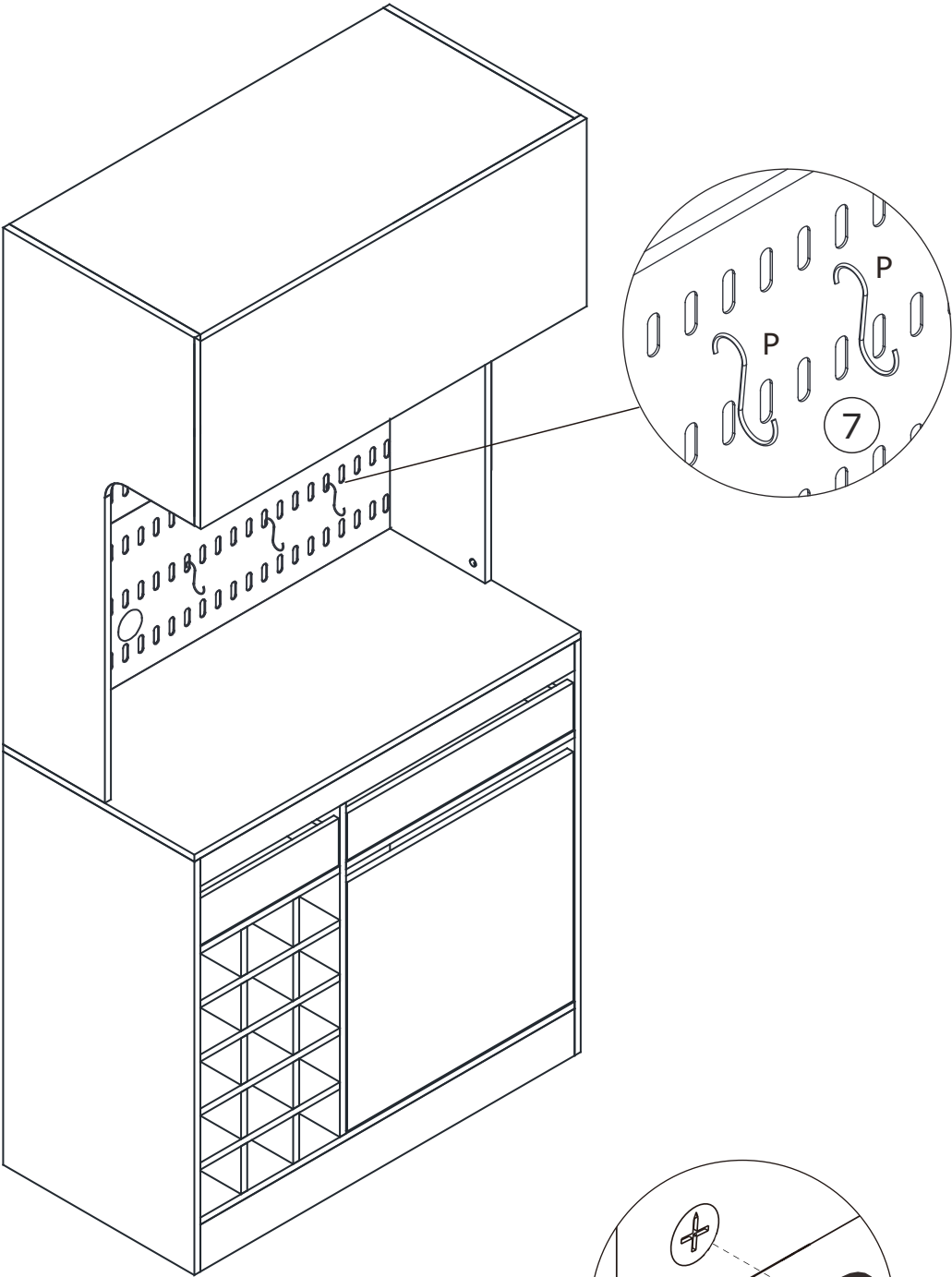
Reinforce back plate using part(H) as shown.



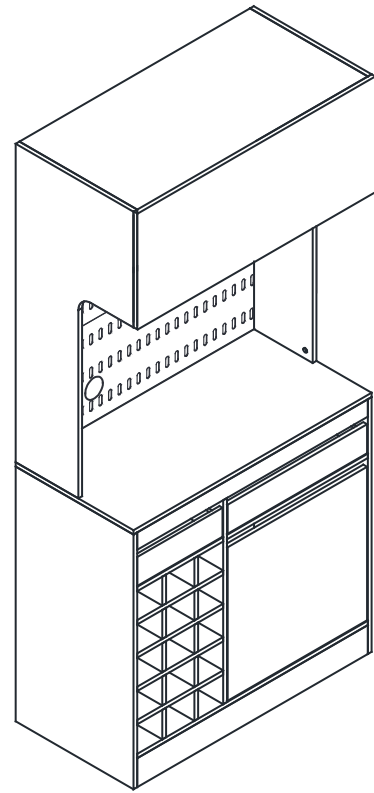
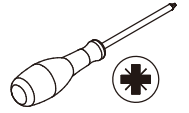
40



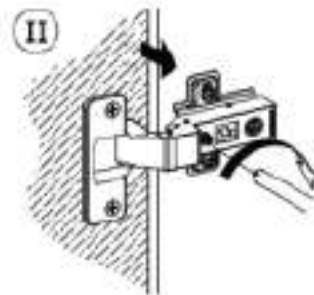
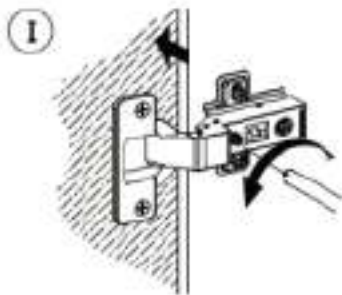
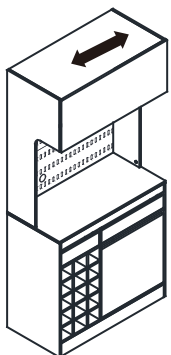
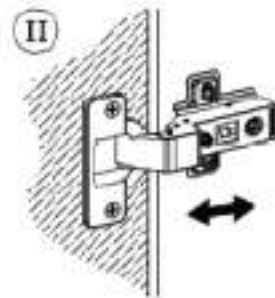
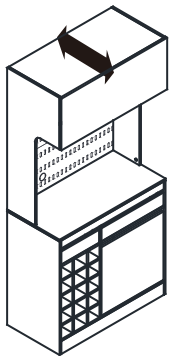
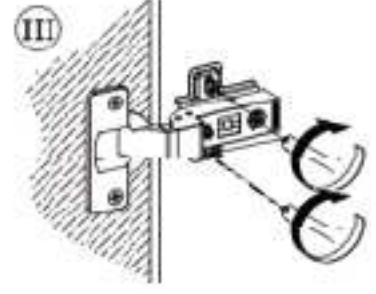
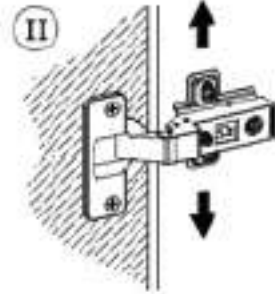
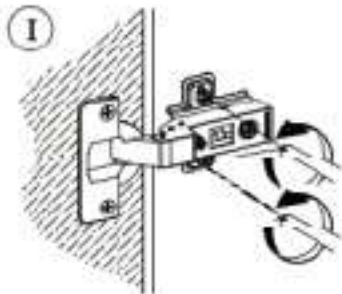
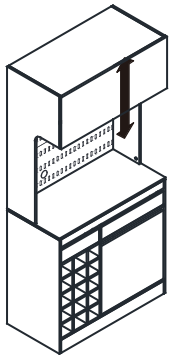
Place the hook, into corresponding position.



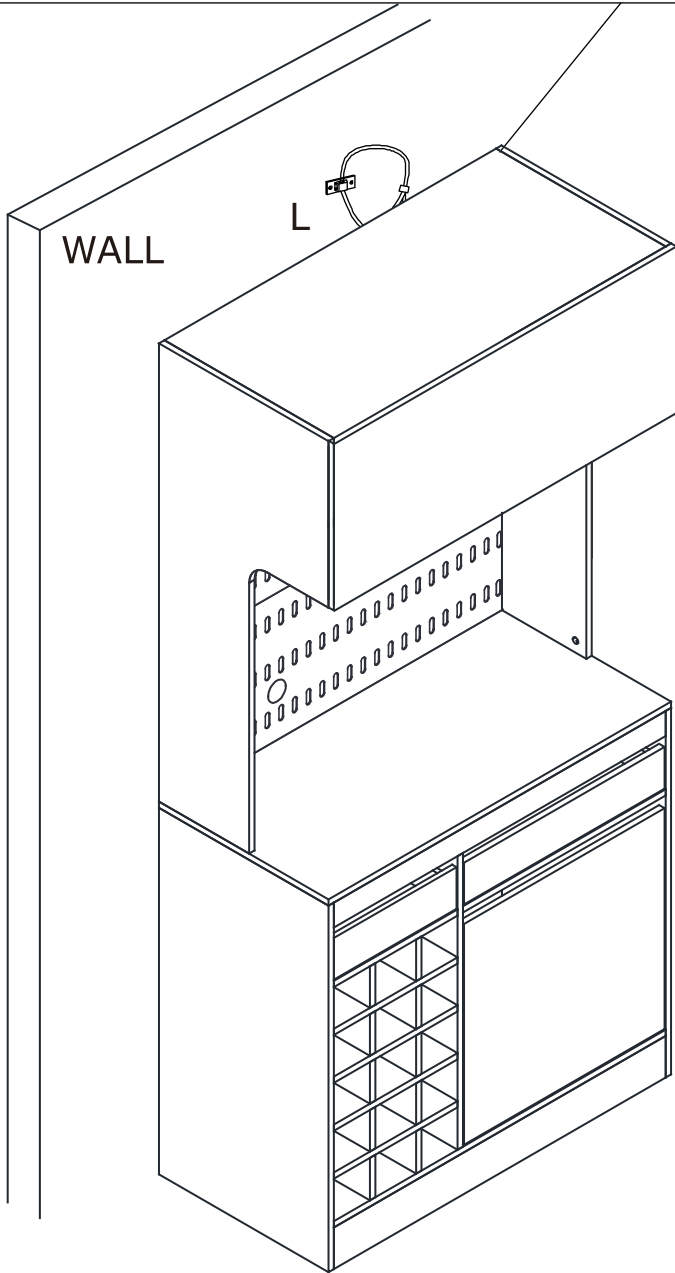
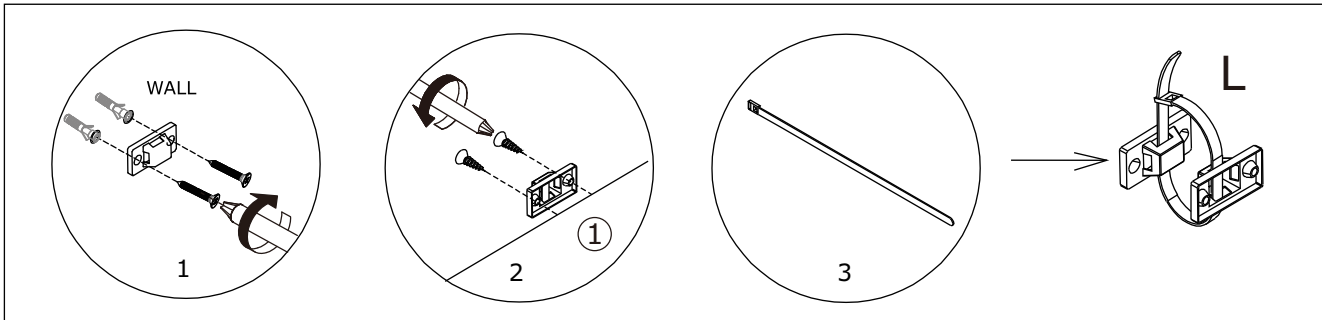
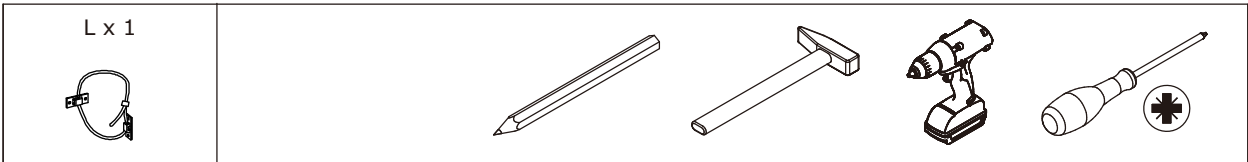
Use part(M) to cover screw holes.



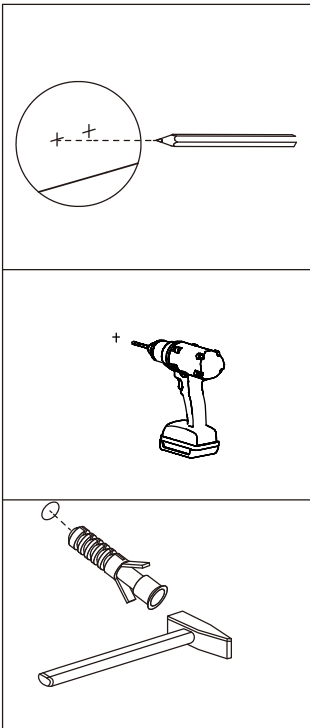
If there is misalignment after you install, adjust the screw to the best condition



42



Install anti-tipping device(L) as shown.



WARRANTY

WARRANTY CLAIMS

- There is a 30-day warranty for broken furniture or any other problems that do not work properly. The warranty will start from the date of purchase which must be verified by proof of purchase.
- Before making a claim, we may be able to answer your query, simply call us. Please leave your purchase order number, along with some details of the problem, if you want a replacement part. We will arrange within 48 hours. If there is out of stock, we will reply with a shipping date.
- The product must be used in accordance with the instructions provided. For health reasons.
- For other reasons, if the furniture needs to be returned, it must be cleaned and dried and operated within 30 days of receipt.

Type of Warranty Claim

- Failure to follow the furniture instructions will invalidate the warranty. Attention please.
- Does not include damage during installation, but includes damage during transportation.

Scope of responsibility

- Shall not bear any responsibility for misuse or user damage and / or loss of parts during the installation of furniture.
- After using, the damage and scratches of the furniture are not covered by the warranty.

The Warranty Relates to All Bought in The Us and Covers The Following Areas

- Sheet parts: 1 month from the date of purchase.
- Electrical parts: 1 month from the date of purchase.

RETURNS

CHANGED YOUR MIND AND NEED TO RETURN YOU ITEM?

PLEASE FOLLOW THE BELOW INSTRUCTIONS:

- If you have purchased and have simply changed your mind, follow the retailer's instructions for returns.

DEFECTIVE ITEMS

- If your item is defective in any way, i.e. it doesn't work but you can't identify why, in the first instance, please call us.

DAMAGED ITEMS

- If you receive an order with obvious shipping damage from the retailer, then we suggest the delivery is refused. If the delivery has been accepted and then shipping damage is found, please follow the specific instructions advised by the retailer.
In all circumstances please save all packaging material and paperwork for the order. Please be aware that if you dispose of packaging material or attempt to return the merchandise without contacting the fulfiller, you jeopardise your chances of making a claim, and you may not receive a credit for the return.

AFTER-SALES CONTACT



feedbackstation@163.com



(303)800-6387