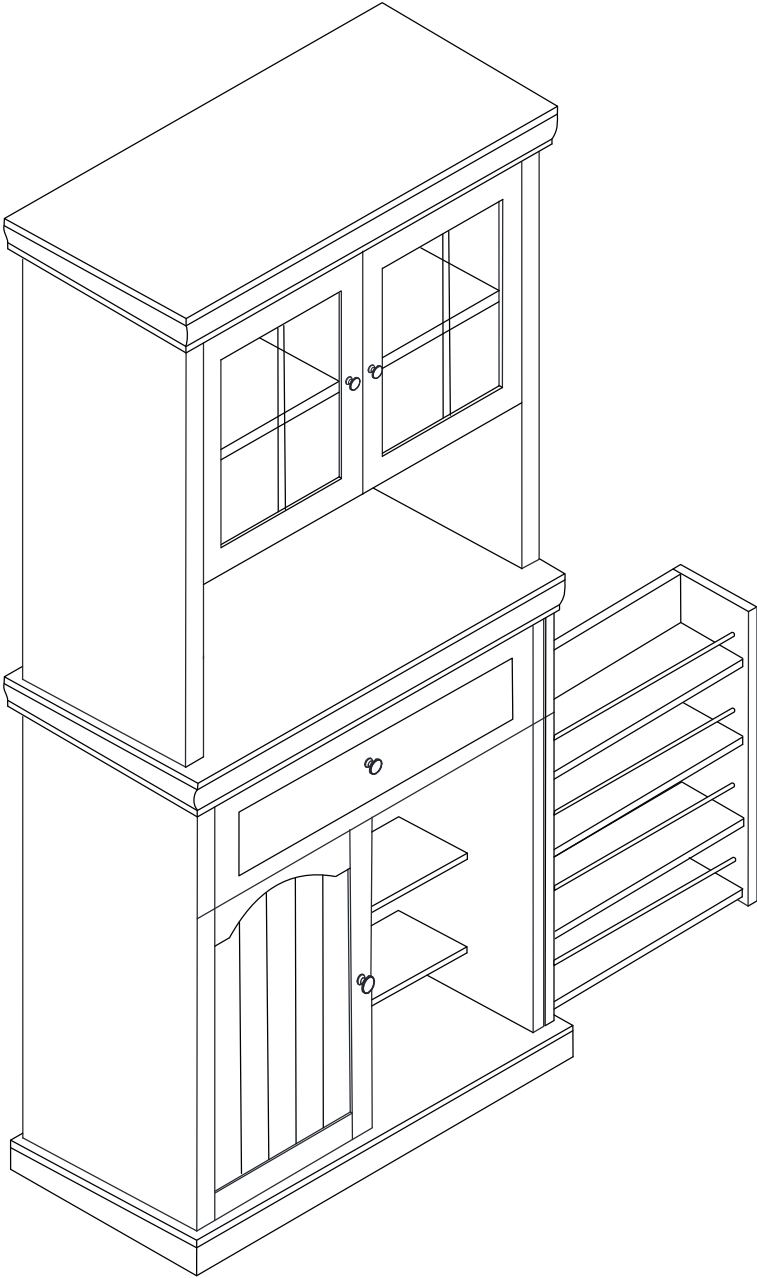
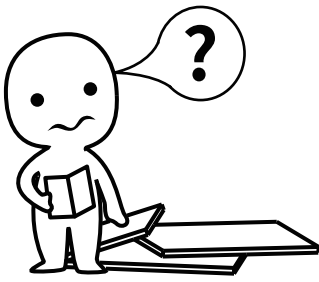


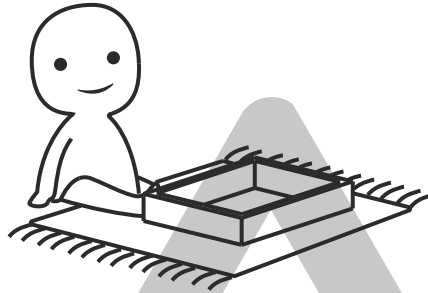
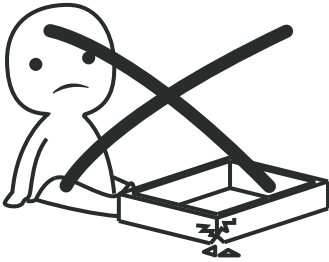
# Storage Cabinet





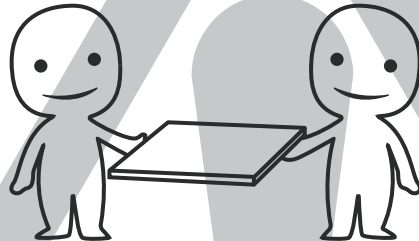
### **IMPORTANT INFORMATION!**

please read the entire manual before starting to assemble and/or using this product. follow the manual thoroughly and keep it for further reference.



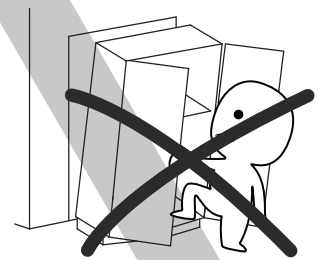
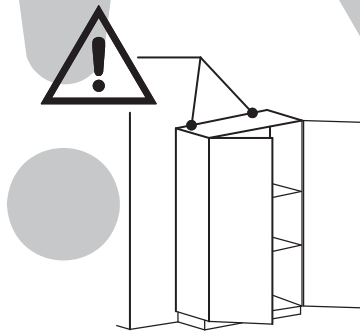
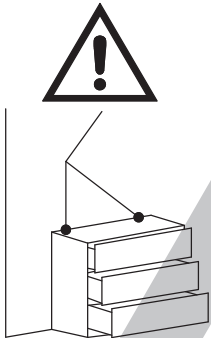
### **AVOID SCRATCHES!**

In order to avoid scratching this furniture should be assembled on a soft layer- could be a rug.



### **IMPROVE EFFICIENCY !**

Try to find a partner to install with you, which can speed up the installation efficiency and shorten the time.



### **ANTI-TOPPLE WARNING !**

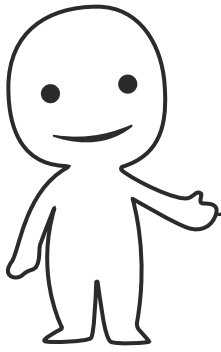
Overturned furniture can cause serious or fatal crush injuries. To prevent tipping over, be sure to use the wall attachment, if not included with this product. Please purchase the wall attachment that fit your wall. If unsure, seek professional advice. Please read and follow each step of the instructions carefully.

### **IMPORTANT !**

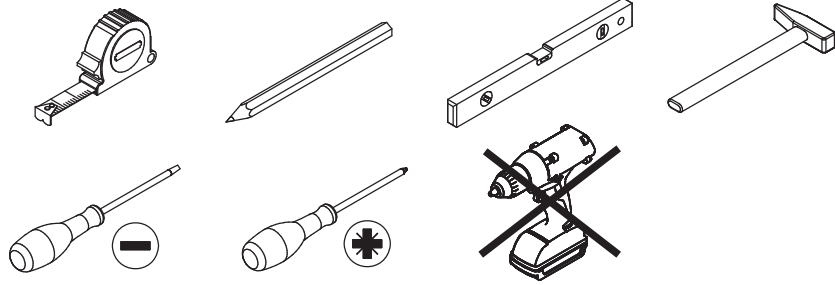
It is important that any product which is assembled using any kind of screw is re-tightened 2 weeks after assembly, and once every 3 months - in order to assure stability through-out the lifespan of the product.

For regular maintenance and cleaning of the product, for the frame, please use a rag dipped in neutral detergent to fully wipe it, and then dry it with a clean rag. For glass materials, wipe with a rag dampened with water glass cleaner, and then dry with a dry rag.

Do not use an electric screwdriver, and do not use too much force when installing, because the board is easy to break.

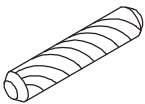


Please prepare the following tools

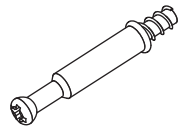


When installing, please carefully confirm whether each screw corresponds to the manual, accessories with similar shapes can be distinguished by size

A x 28+1



Bx 97+1



∅ 6 x 35 mm

Cx 97+1



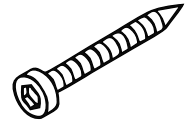
∅ 15 x 10 mm

D x 1



∅ 4 x 12 mm

E x 8



∅ 5 x 40 mm

F x 5



∅ 4 x 16 mm

G x 5



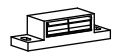
H x 10



J x 2



K x 2



L x 1

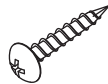


M x 42+1



∅ 3 x 12 mm

N x 6



∅ 3 x 16 mm

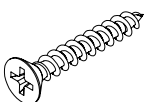
P x 1



Q x 16

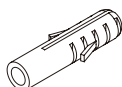


R X 6



∅ 4x 35 mm

S x 1



TX52+1

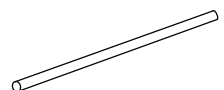


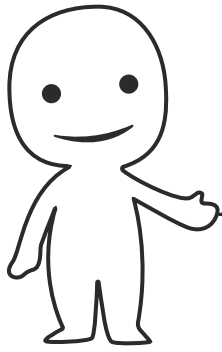
∅ 3x 10 mm

U X 2

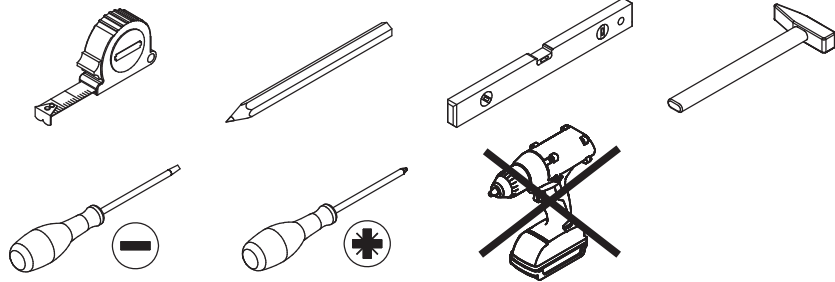


V X 8



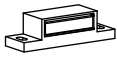


Please prepare the following tools

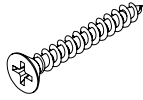


When installing, please carefully confirm whether each screw corresponds to the manual, accessories with similar shapes can be distinguished by size

W x 1



X x 5



Ø 4 x 30 mm

Y x 6+1

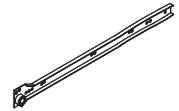


Ø 3 x 8 mm

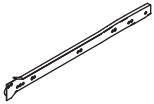
DR X 1



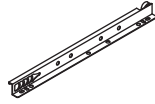
CL X 1

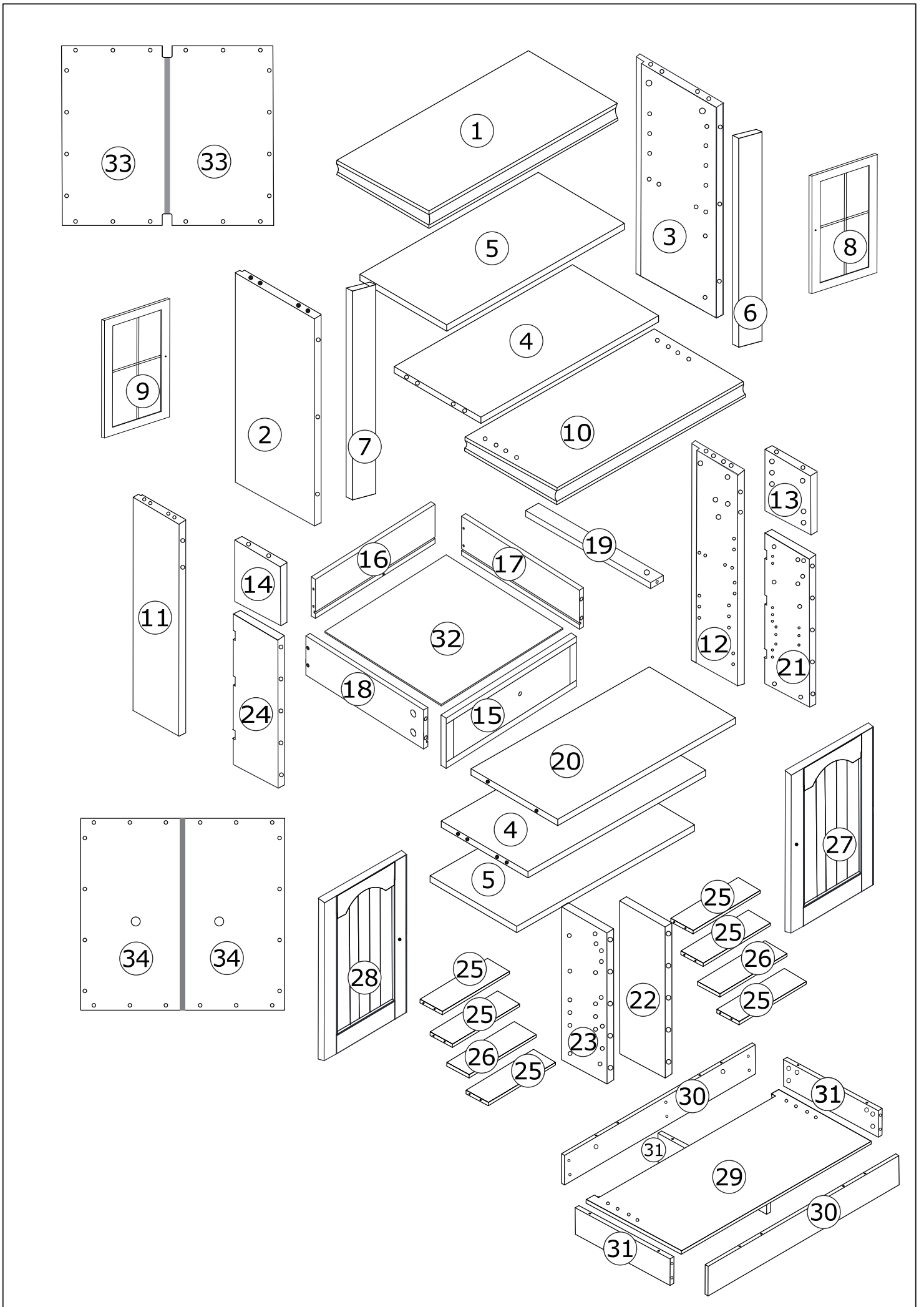


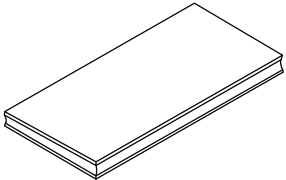
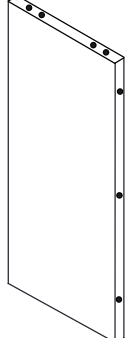
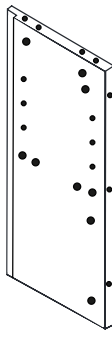
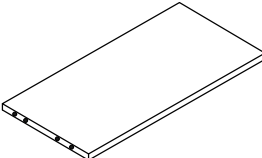
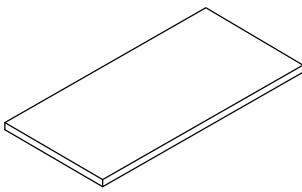
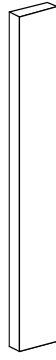

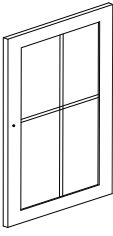
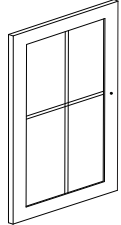
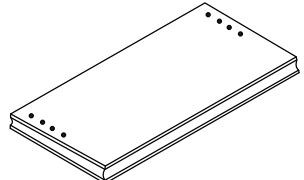
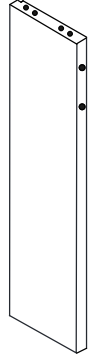
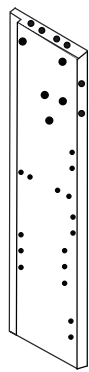
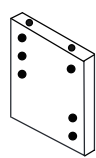
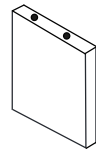
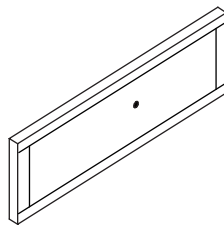
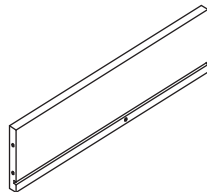
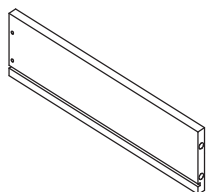
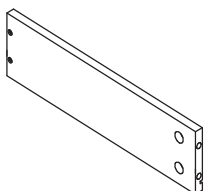
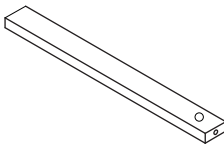
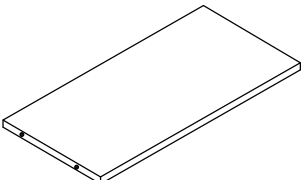
CR X 1

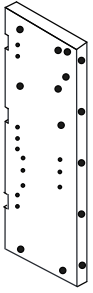
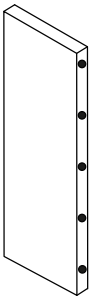
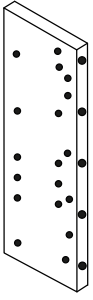
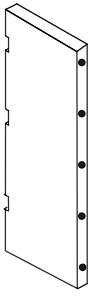
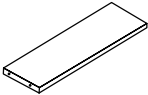
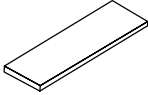
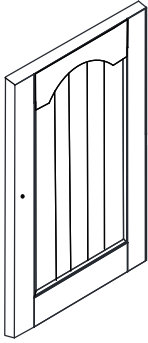
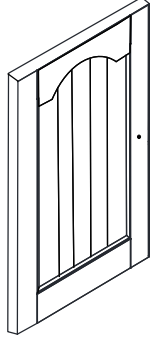
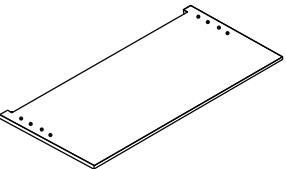
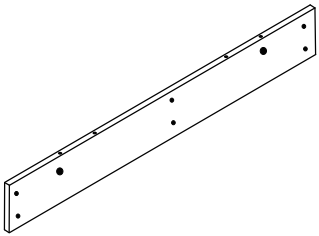
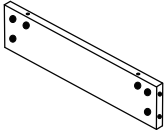
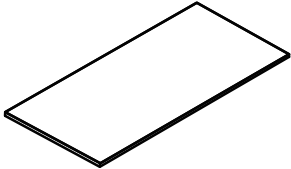
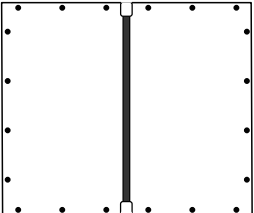
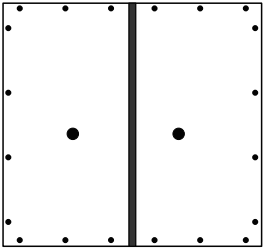


DL X 1

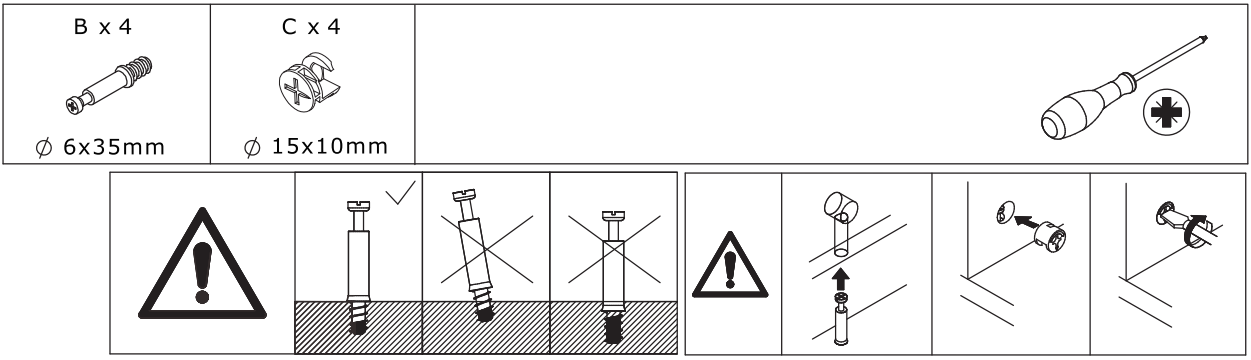




<p>①</p>  <p>1PC</p>	<p>②</p>  <p>1PC</p>	<p>③</p>  <p>1PC</p>	<p>④</p>  <p>2PC</p>
<p>⑤</p>  <p>2PC</p>	<p>⑥</p>  <p>6PC</p>	<p>⑦</p>  <p>1PC</p>	<p>⑧</p>  <p>1PC</p>
<p>⑨</p>  <p>1PC</p>	<p>⑩</p>  <p>1PC</p>	<p>⑪</p>  <p>1PC</p>	<p>⑫</p>  <p>1PC</p>
<p>⑬</p>  <p>1PC</p>	<p>⑭</p>  <p>1PC</p>	<p>⑮</p>  <p>1PC</p>	<p>⑯</p>  <p>1PC</p>
<p>⑰</p>  <p>1PC</p>	<p>⑱</p>  <p>1PC</p>	<p>⑲</p>  <p>1PC</p>	<p>⑳</p>  <p>1PC</p>

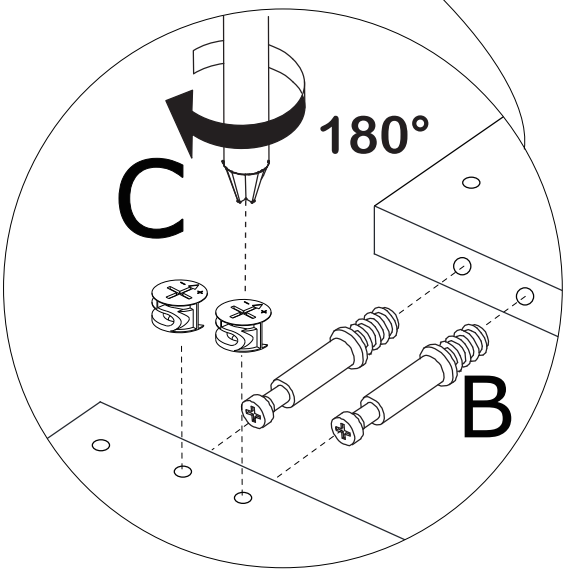
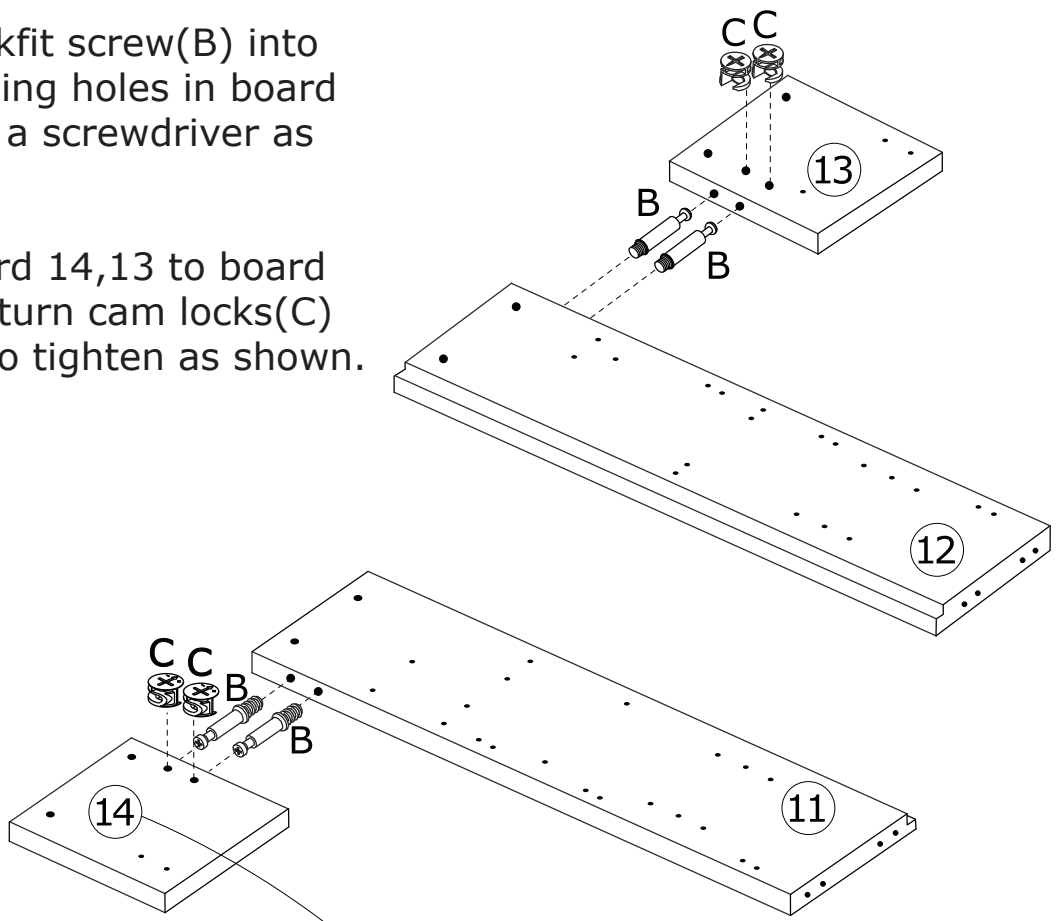
<p>②1</p>  <p>1PC</p>	<p>②2</p>  <p>1PC</p>	<p>②3</p>  <p>1PC</p>	<p>②4</p>  <p>1PC</p>
<p>②5</p>  <p>6PC</p>	<p>②6</p>  <p>2PC</p>	<p>②7</p>  <p>1PC</p>	<p>②8</p>  <p>1PC</p>
<p>②9</p>  <p>1PC</p>	<p>③0</p>  <p>2PC</p>	<p>③1</p>  <p>3PC</p>	<p>③2</p>  <p>1PC</p>
<p>③3</p>  <p>1PC</p>	<p>③4</p>  <p>1PC</p>		

1



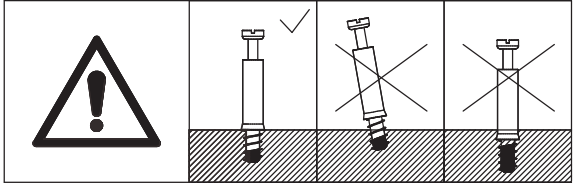
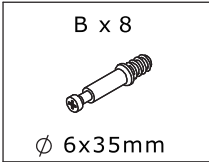
Insert quickfit screw(B) into corresponding holes in board 11,12 with a screwdriver as shown.

Attach board 14,13 to board 11,12 and turn cam locks(C) clockwise to tighten as shown.

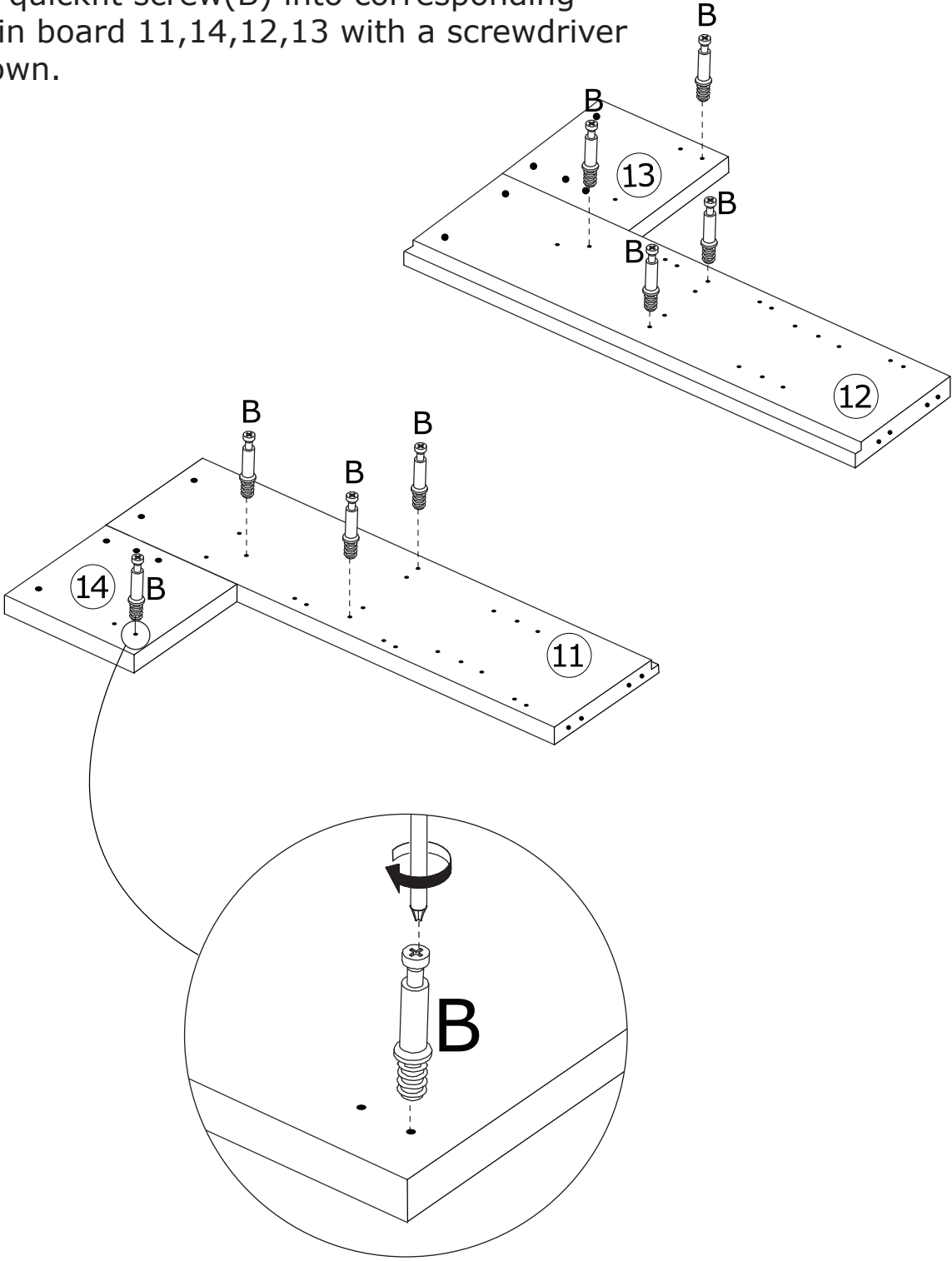





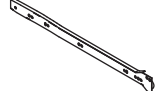
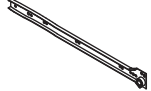
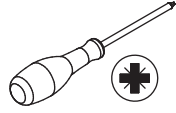
2

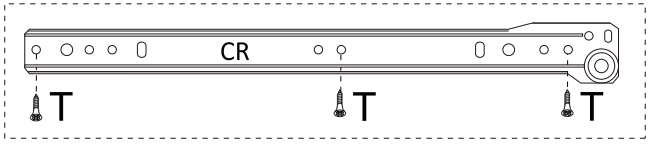
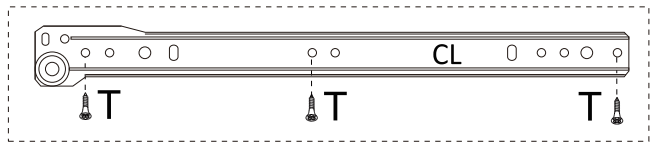


Insert quickfit screw(B) into corresponding holes in board 11,14,12,13 with a screwdriver as shown.

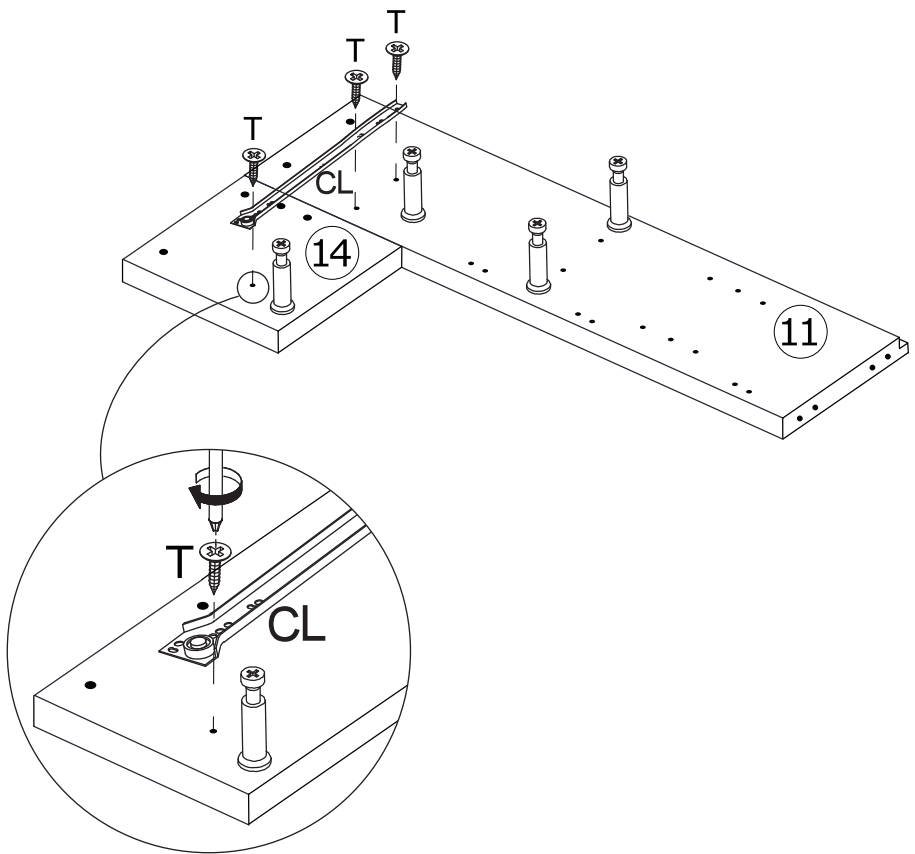
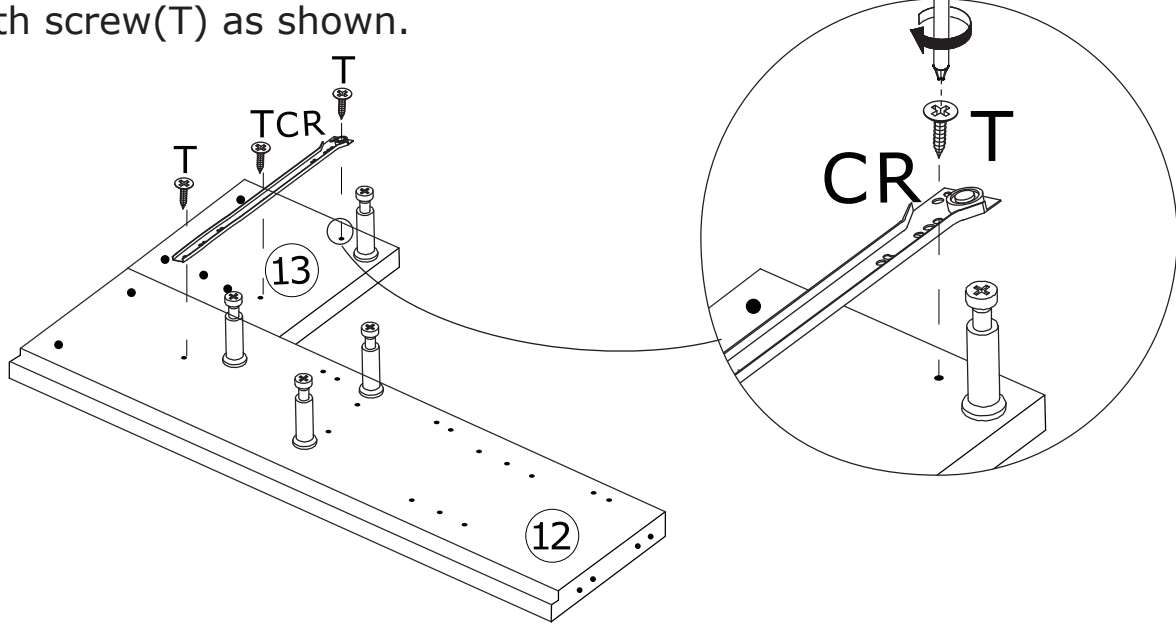


3

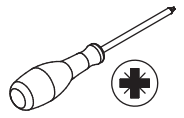
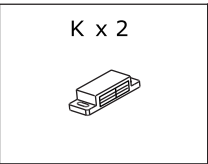
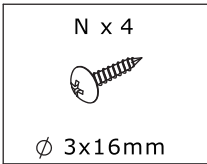
T x 6  Ø 3x10mm	CL x 1 	CR x 1 	
--	---	---	---



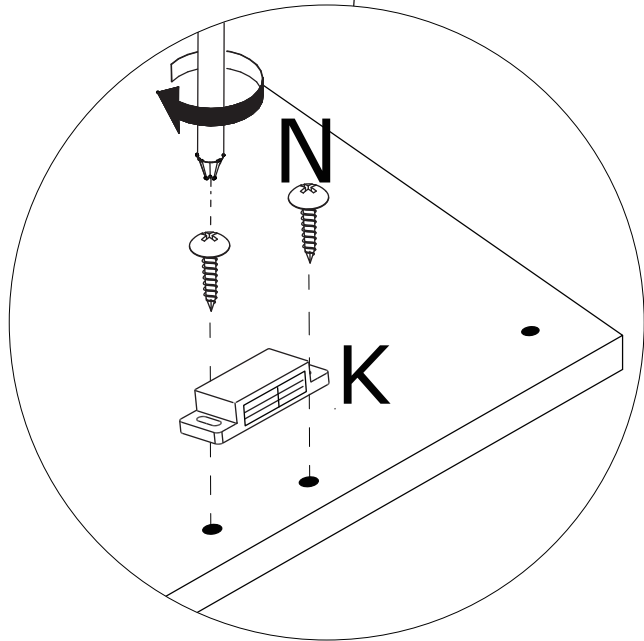
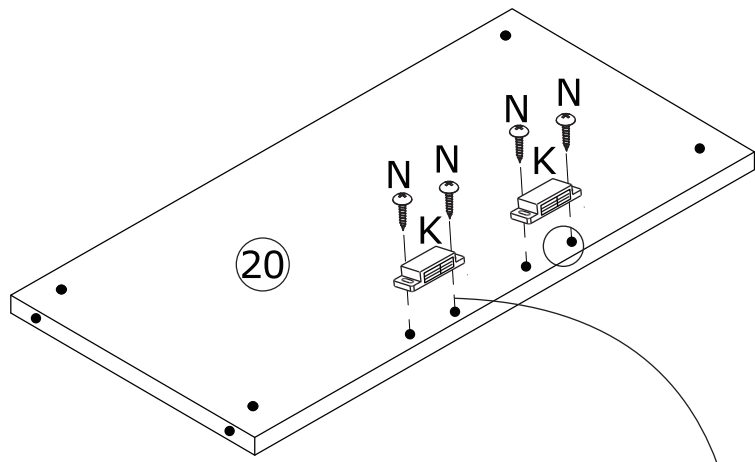
Fix slide rail(CL) and (CR) to board 14 and 13 with screw(T) as shown.



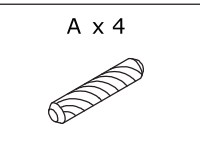
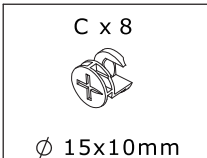
4



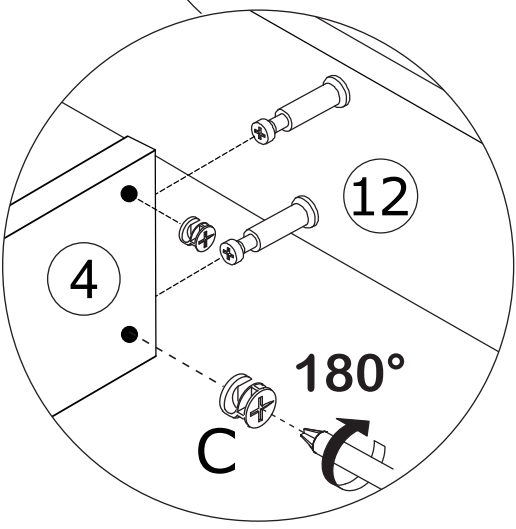
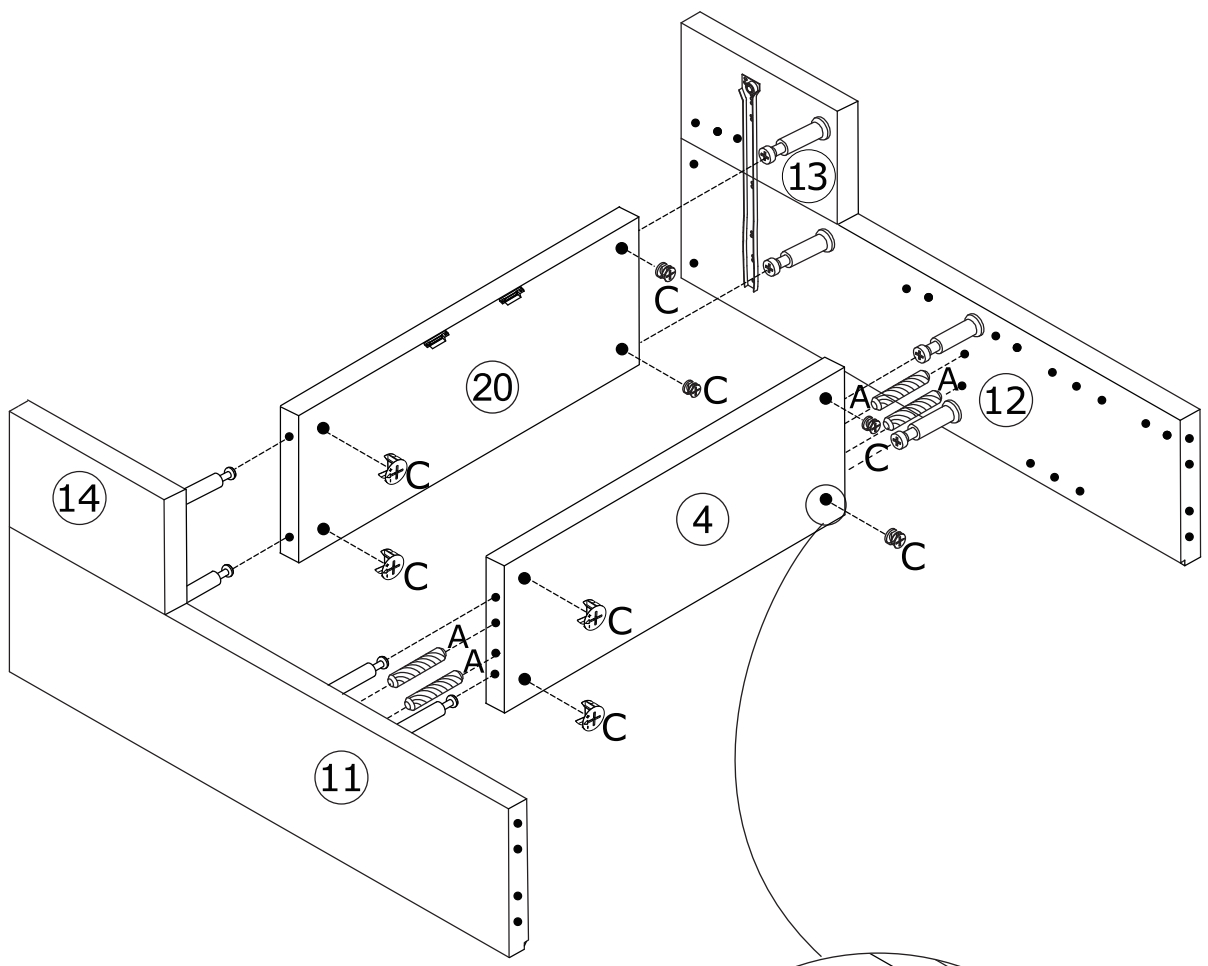
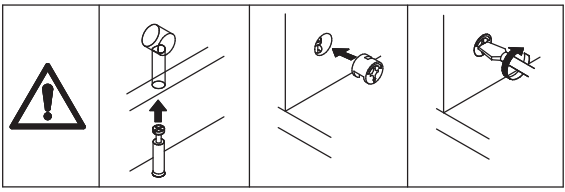
Fix part(K) to board 20 with screw(N) as shown.



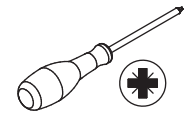
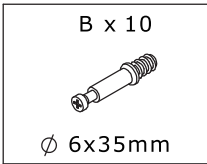
5



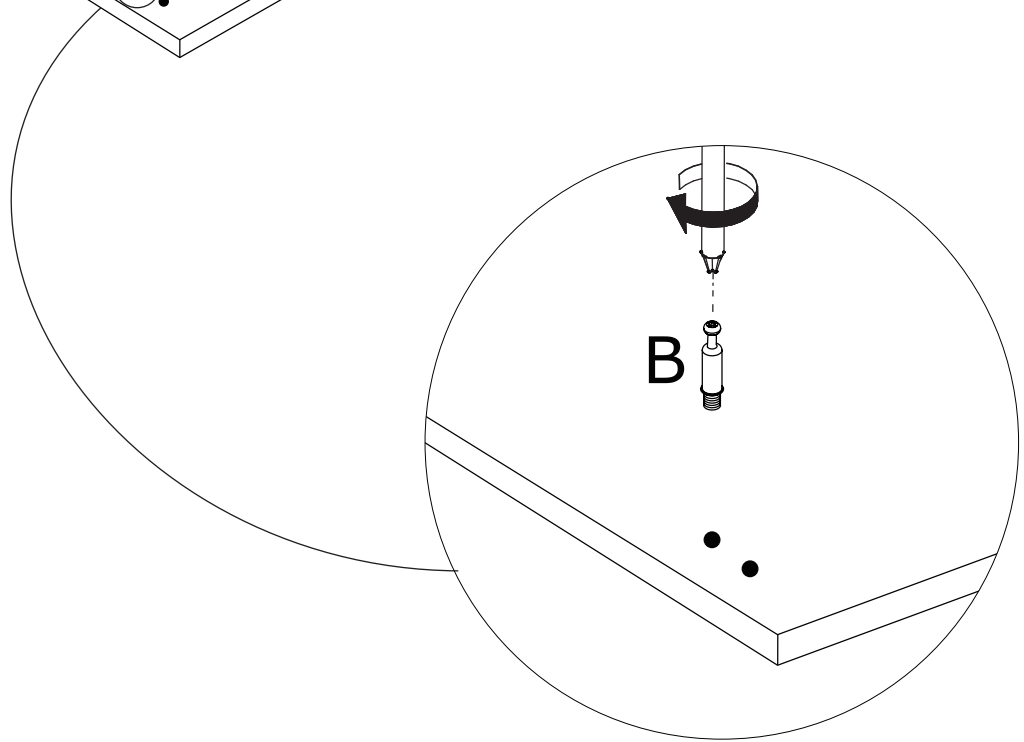
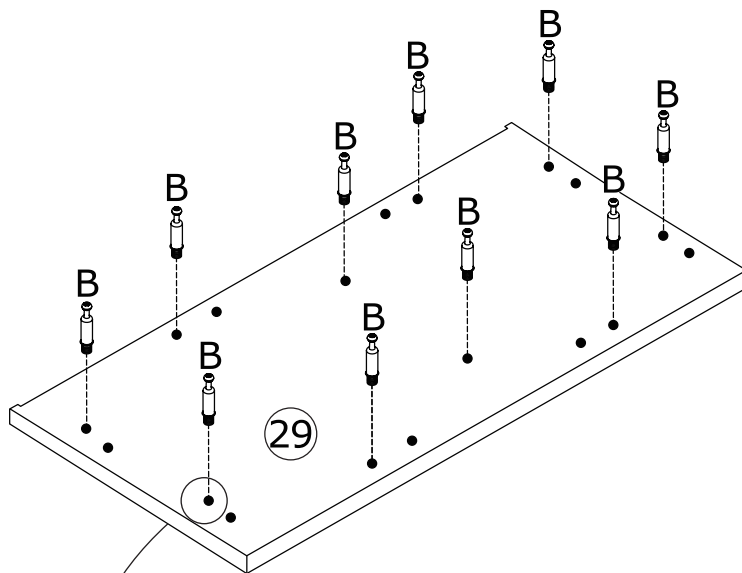
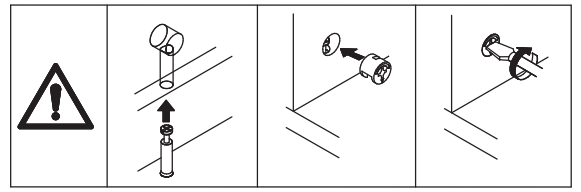
Attach board 11,14 and 12,13 to board 20,4 with wooden dowel(A) and turn cam locks(C) clockwise to tighten as shown.



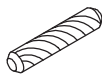

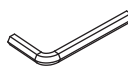

6

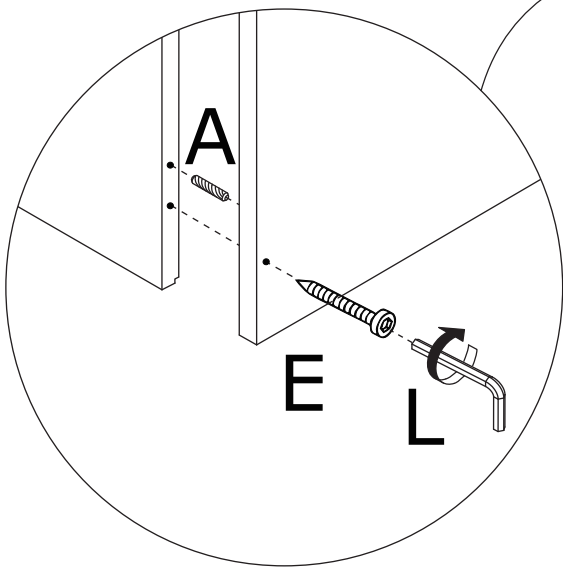
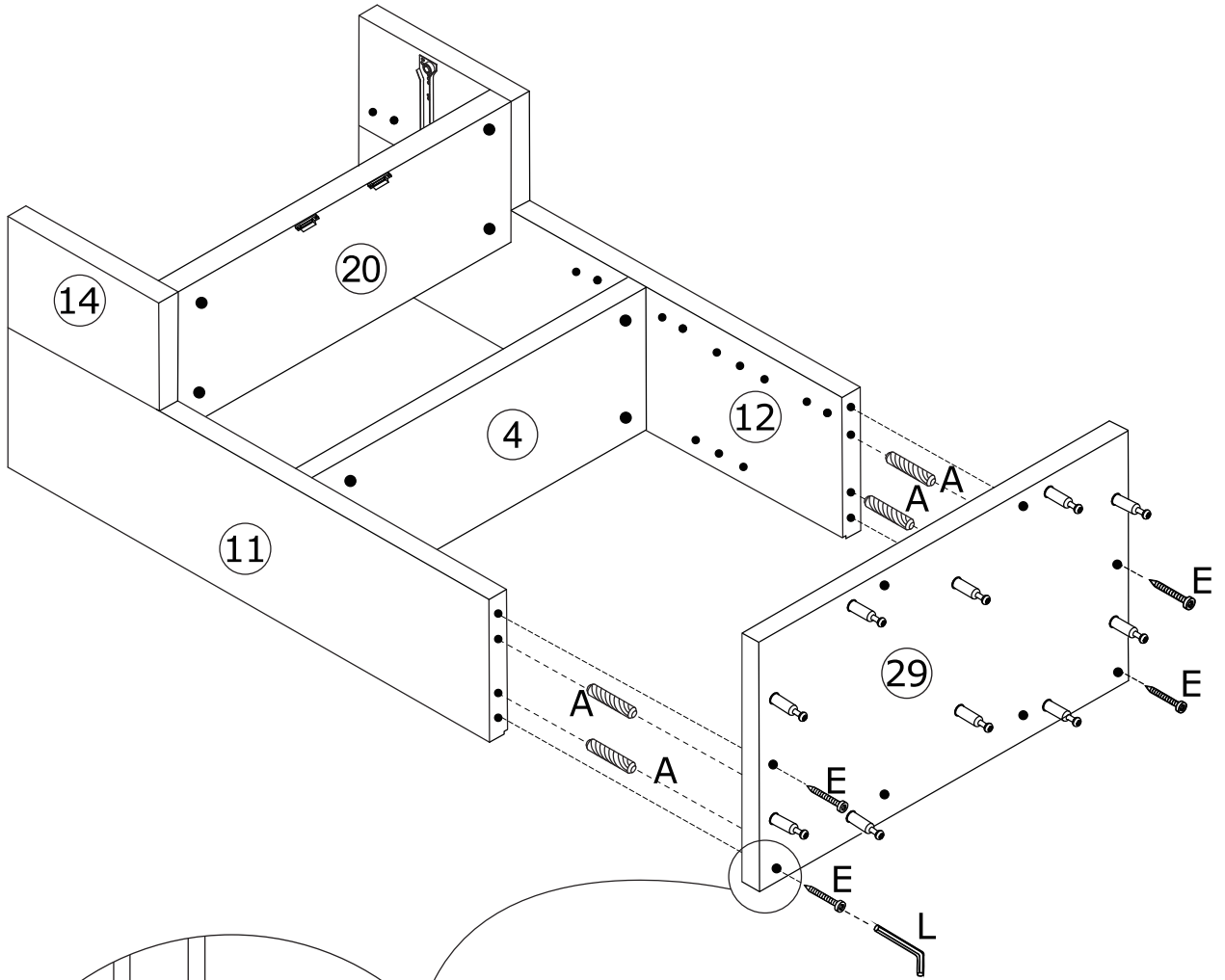
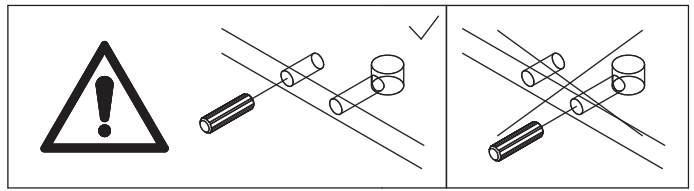


Insert quickfit screw(B) into corresponding holes in board 29 as shown.



7

A x 4 	E x 4  Ø 5 x 40 mm	L x 1 	
--	---	--	---



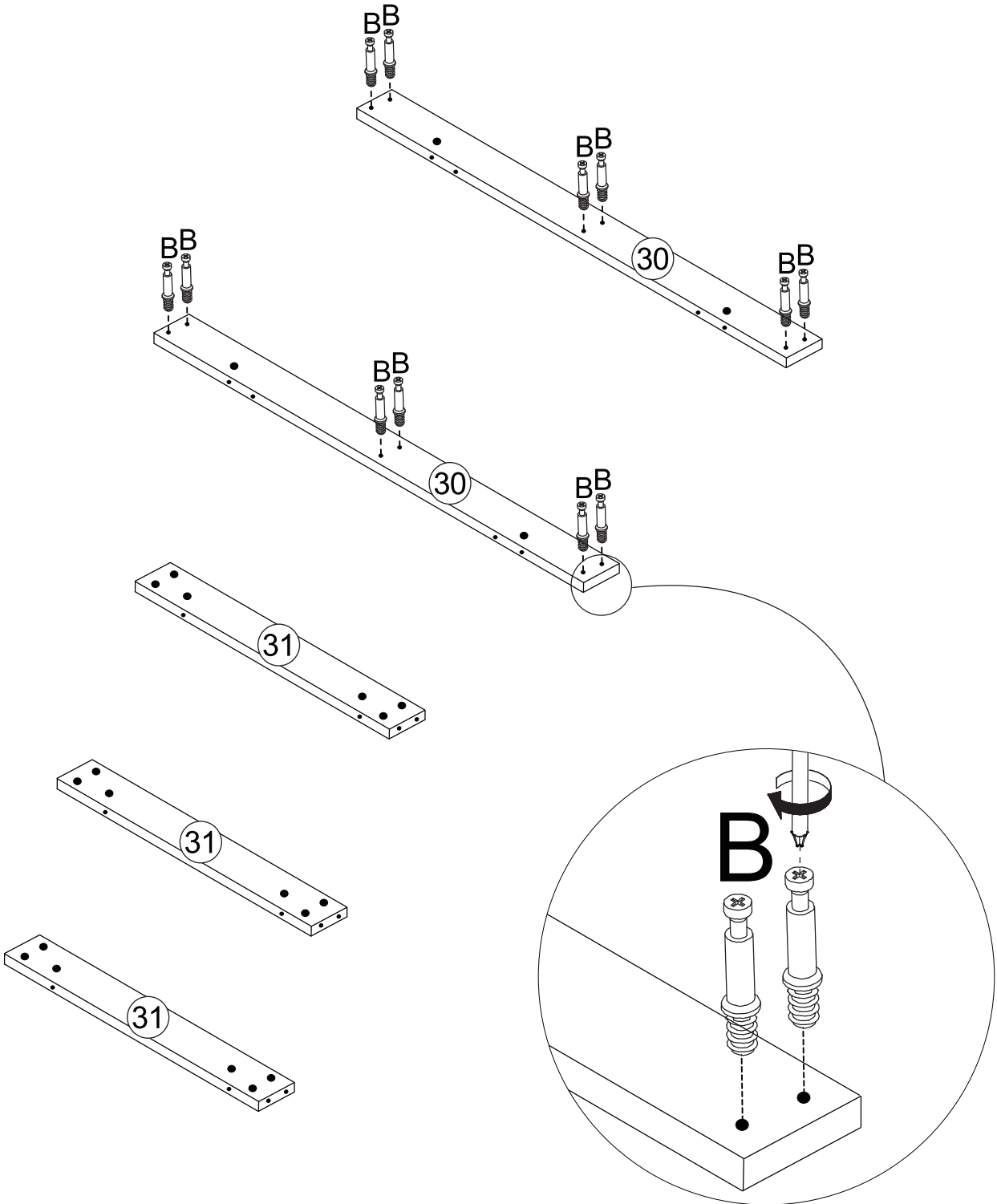
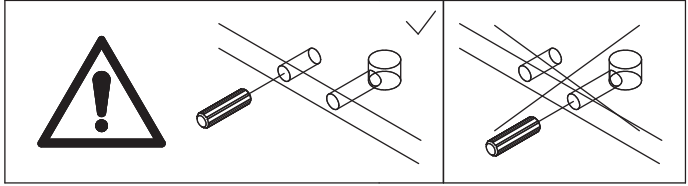
Attach board 29 to board 11,12 with wooden dowel(A) and fix with screw(E) as shown.

8

B x 12  
Ø 6x35mm



Insert quickfit screw(B) into corresponding holes in board 30 as shown.

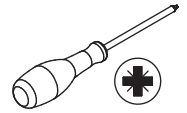


9

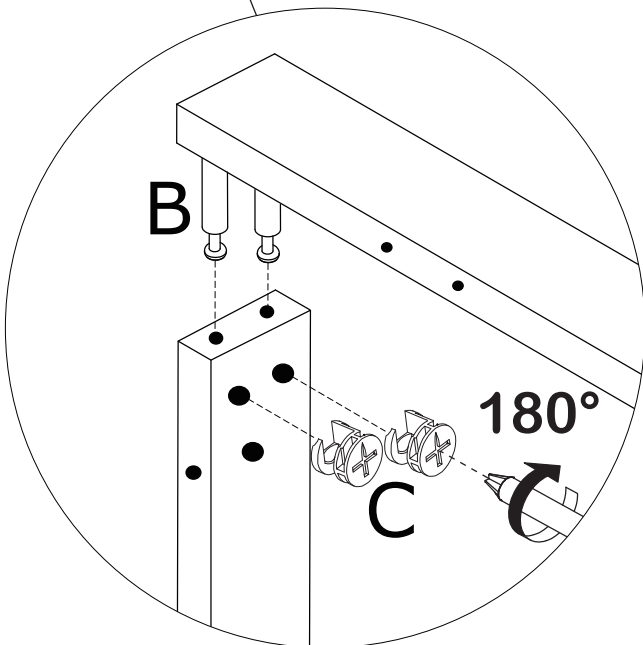
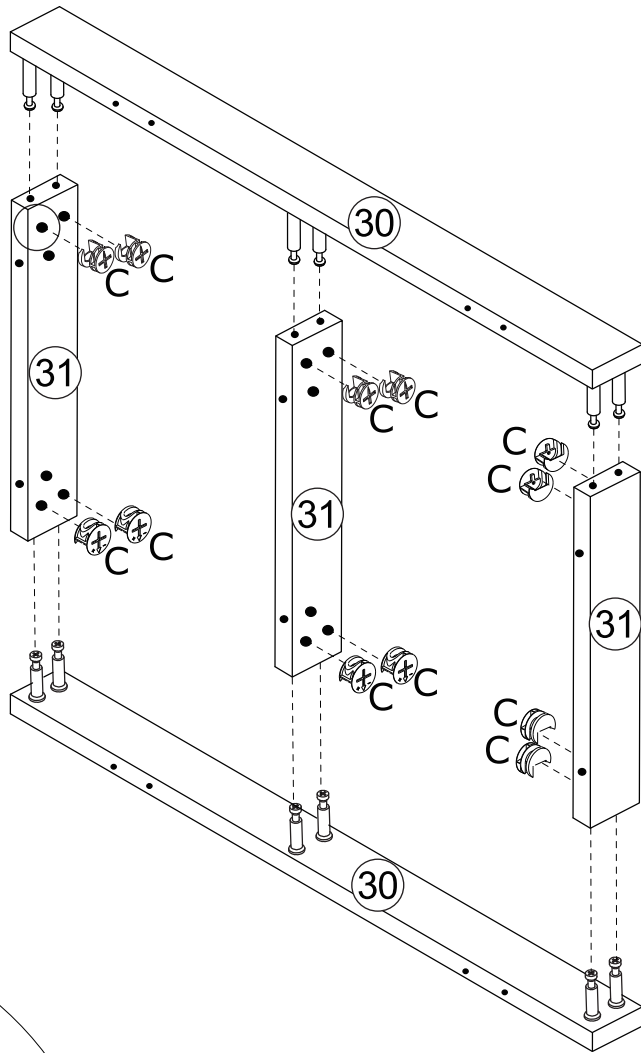
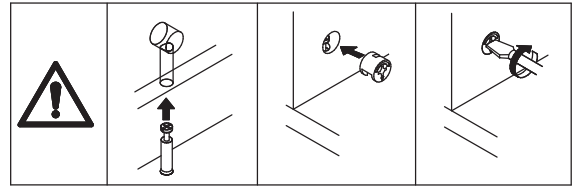
C x 12



Ø 15x10mm

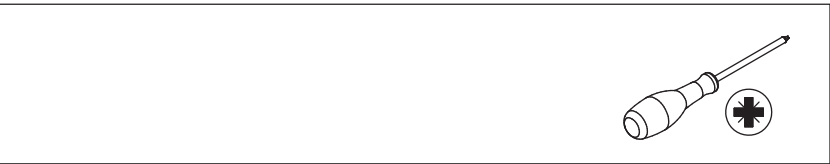
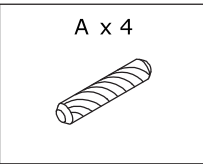
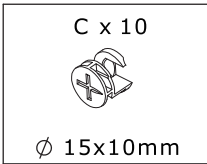


Connect plank 30 with plank 31 and turn cam locks(C) clockwise to tighten as shown.

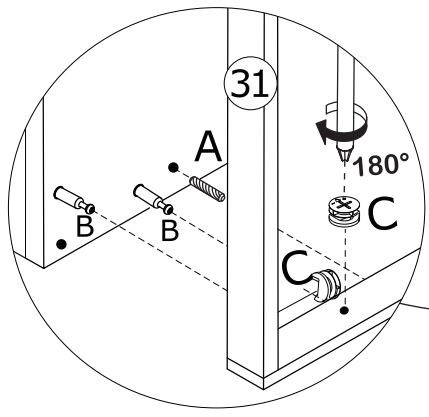
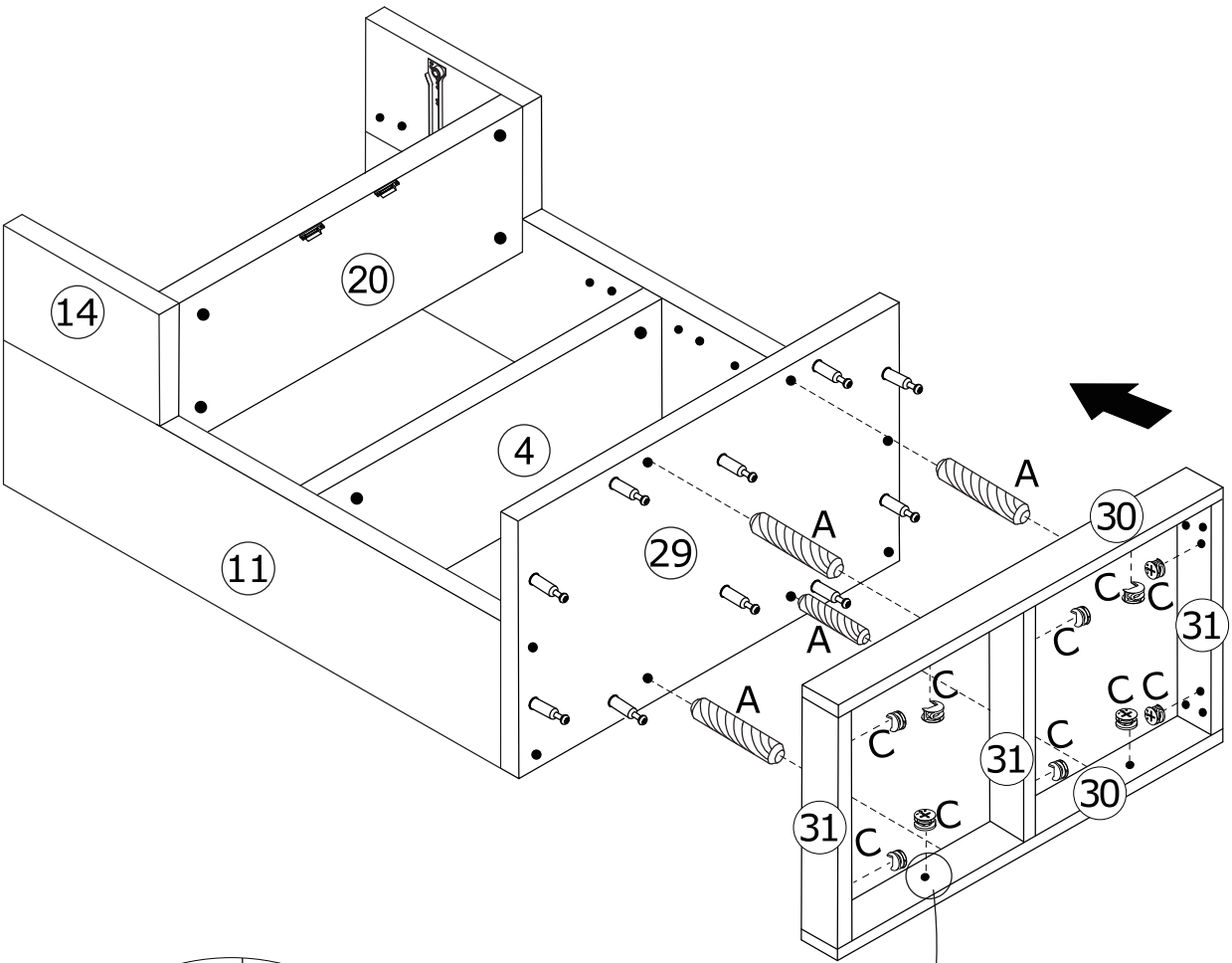
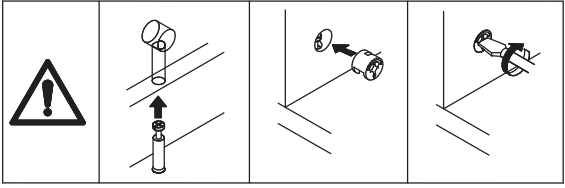




10



Attach the 2 components with wooden dowel(A) and turn cam locks(C) clockwise to tighten as shown.



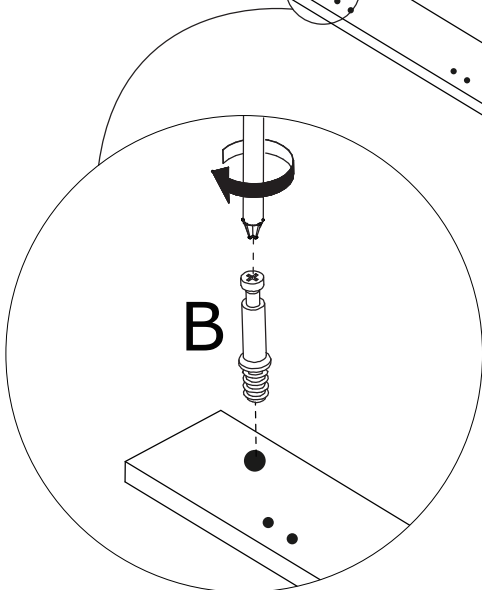
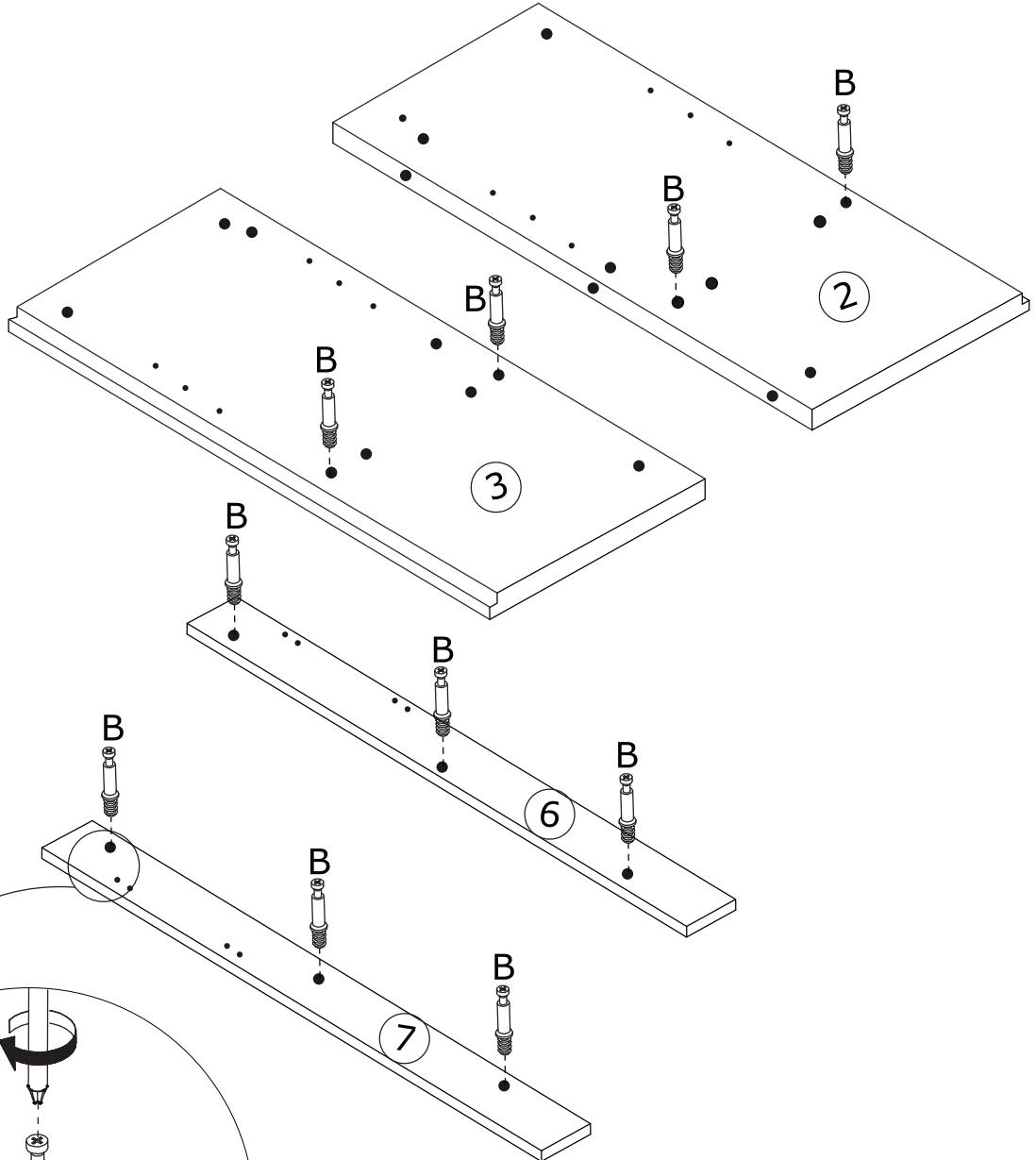
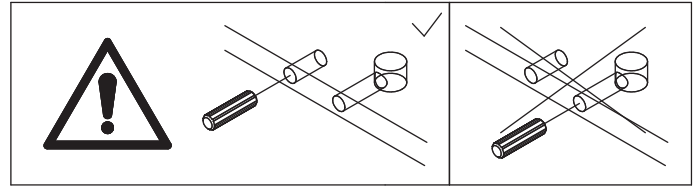
# 11

B x 10



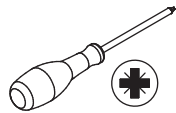
∅ 6x35mm

Insert quickfit screw (B) into corresponding holes in board 2,3,6,7 as shown.

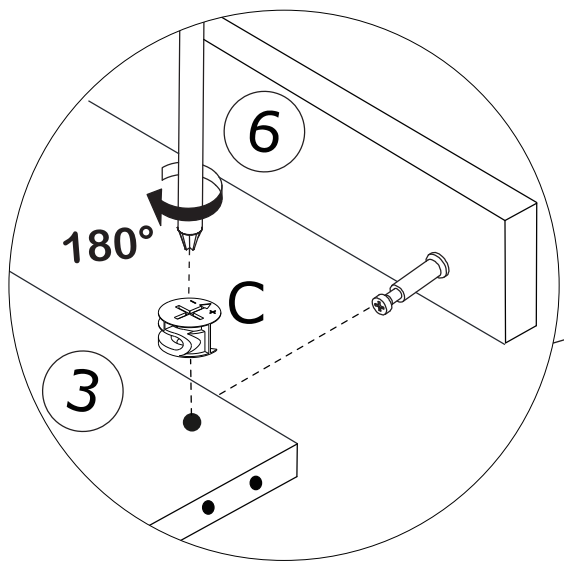
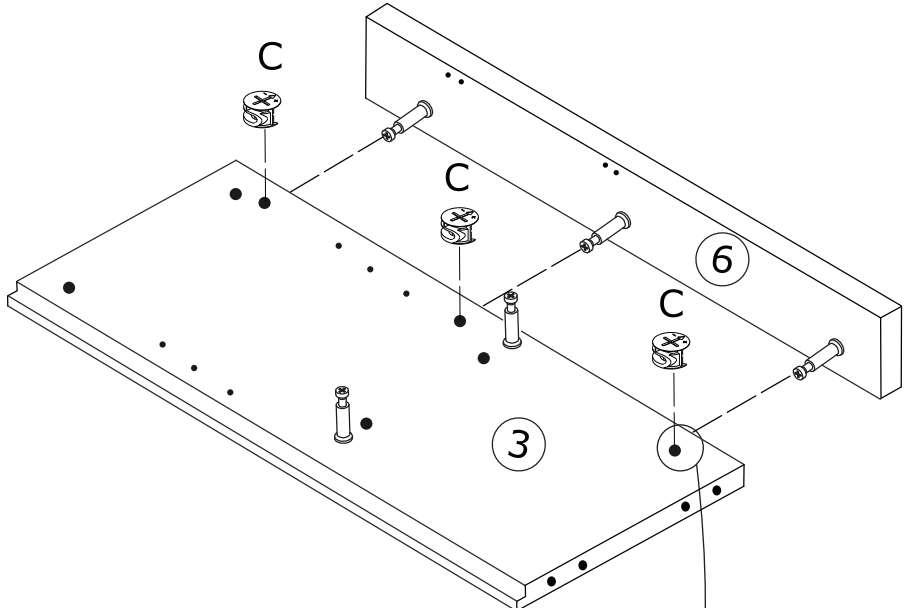
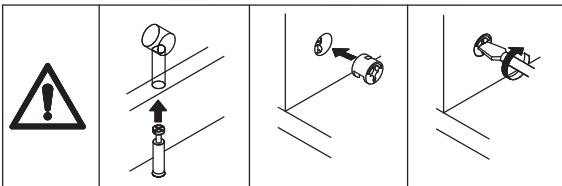


# 12

C x 3  
Ø 15x10mm



Attach board 6 to board 3 and turn cam locks(C) clockwise to tighten as shown.

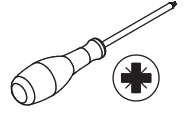


# 13

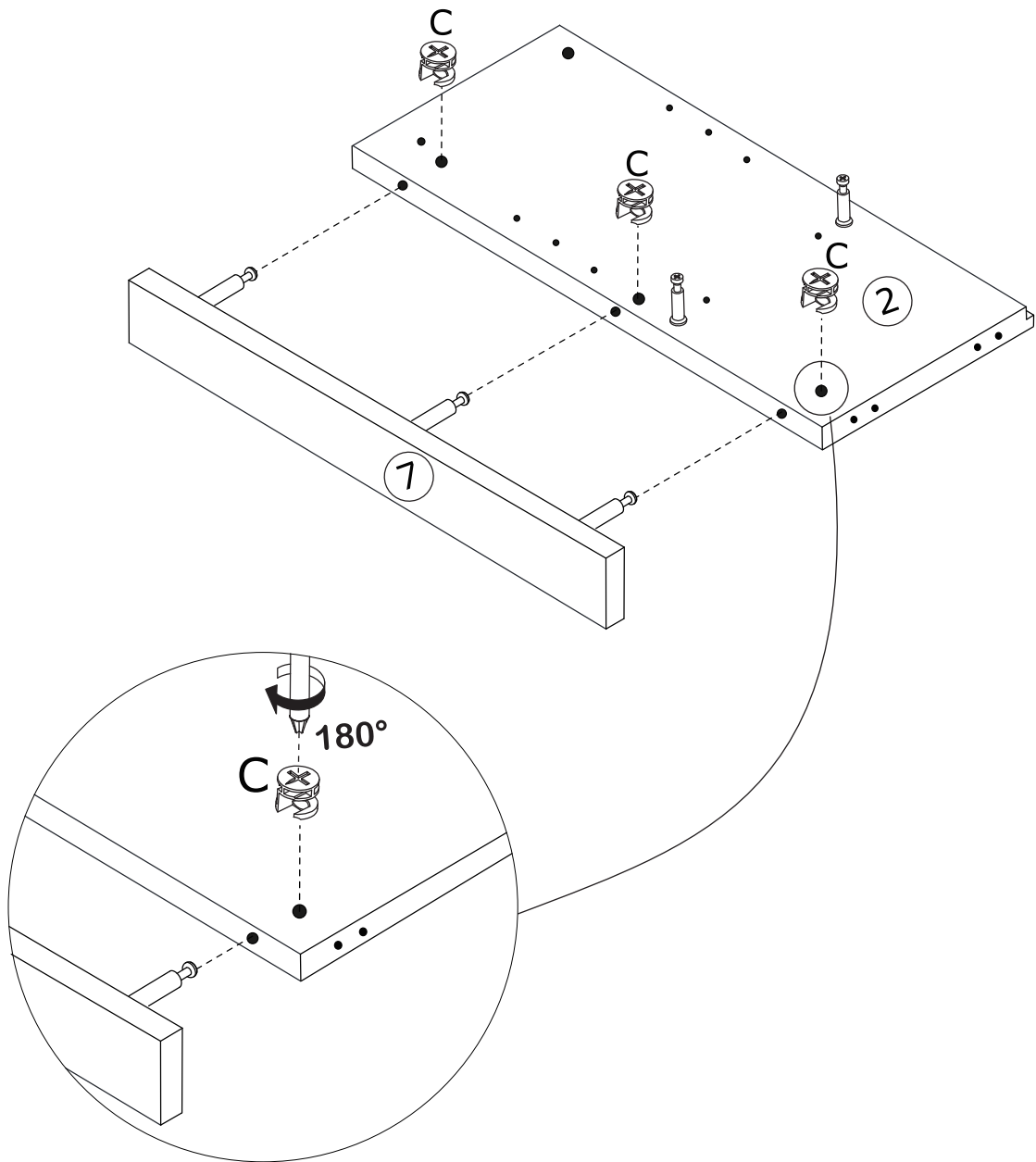
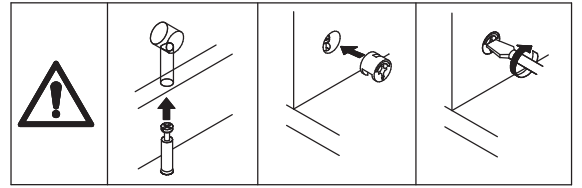
C x 3



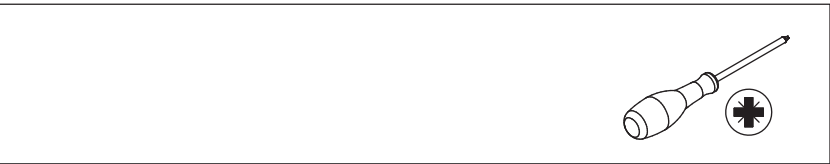
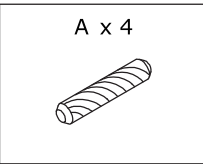
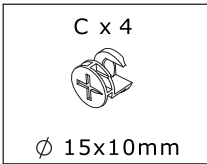
Ø 15x10mm



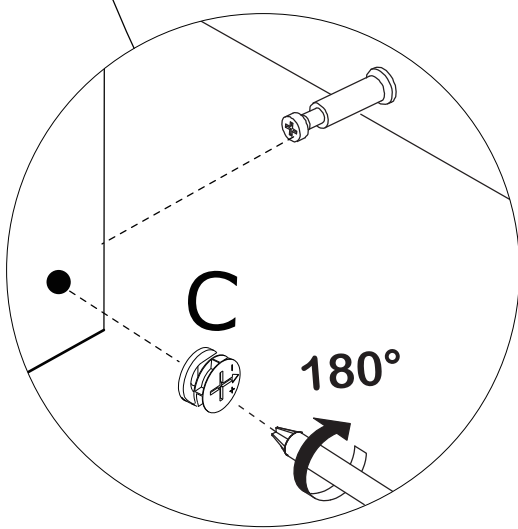
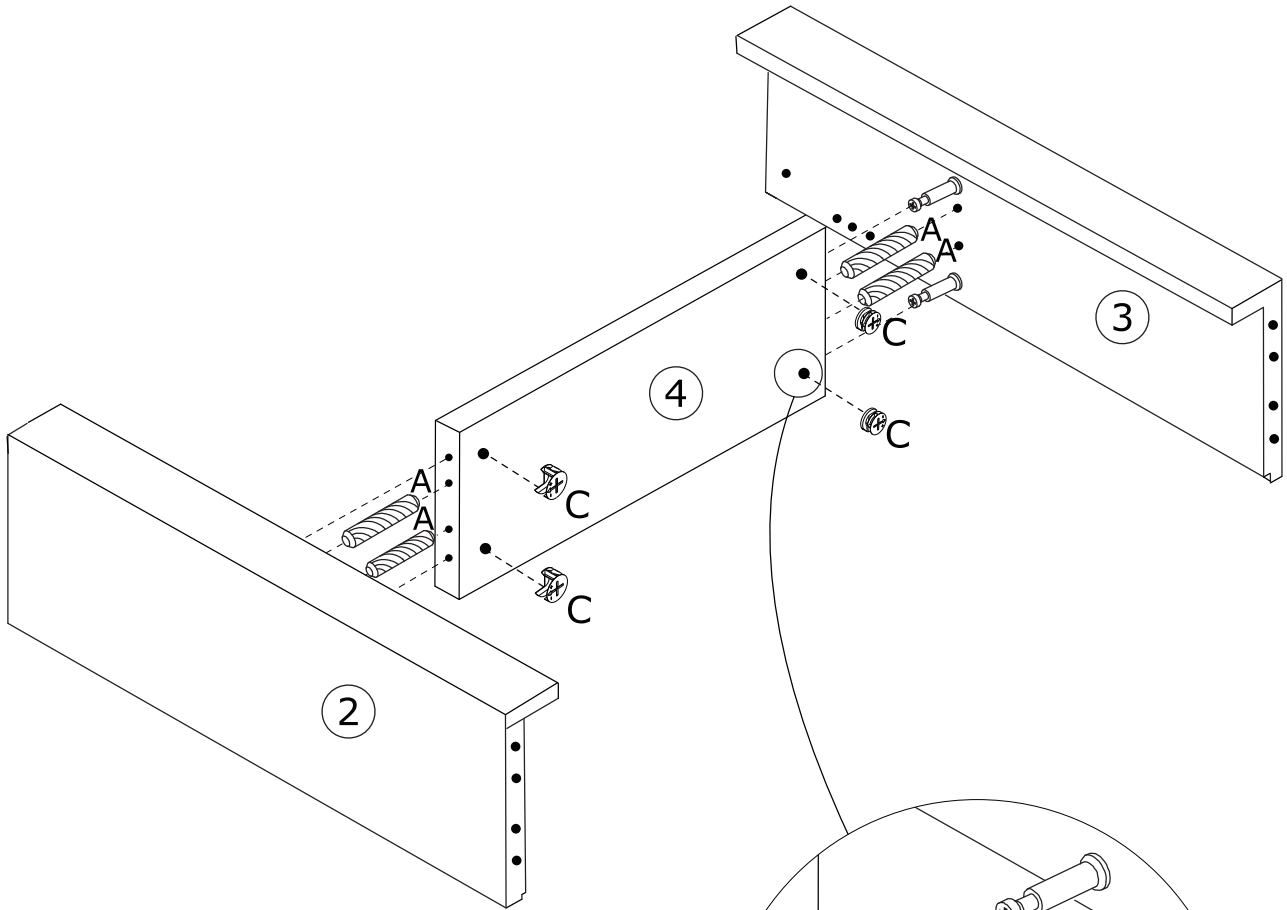
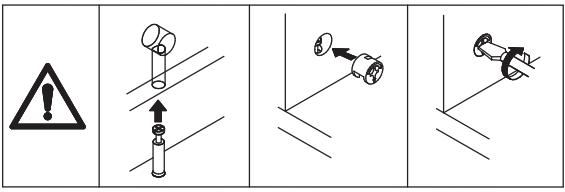
Attach board 7 to board 2 and turn cam locks(C) clockwise to tighten as shown.



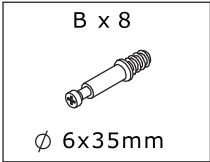
14



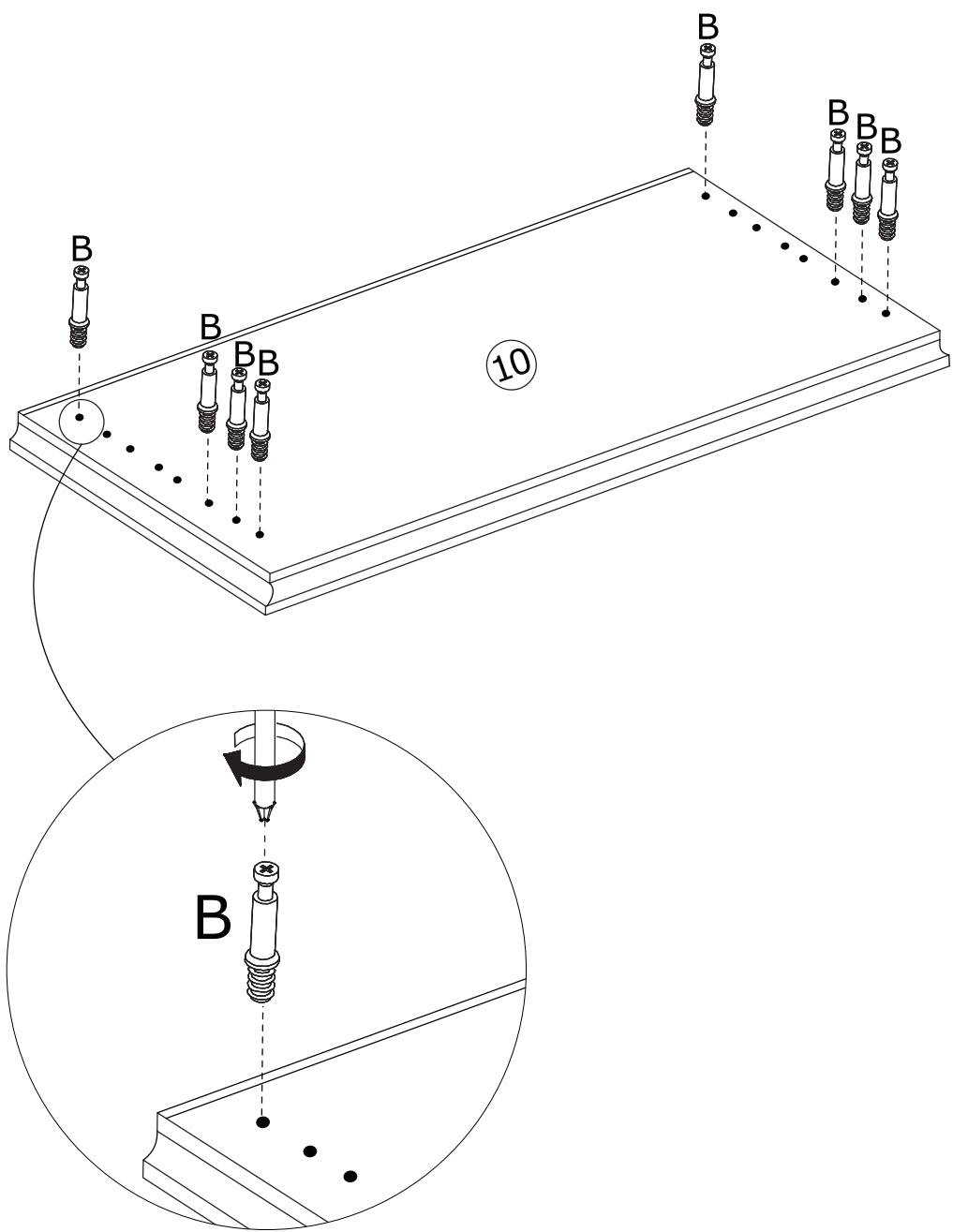
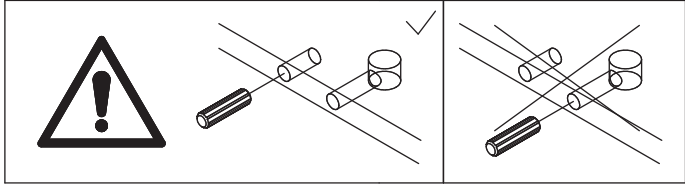
Attach board 2 and 3 to board 4 with wooden dowel(A) and turn cam locks(C) clockwise to tighten as shown.




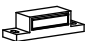


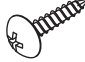
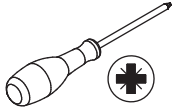
15

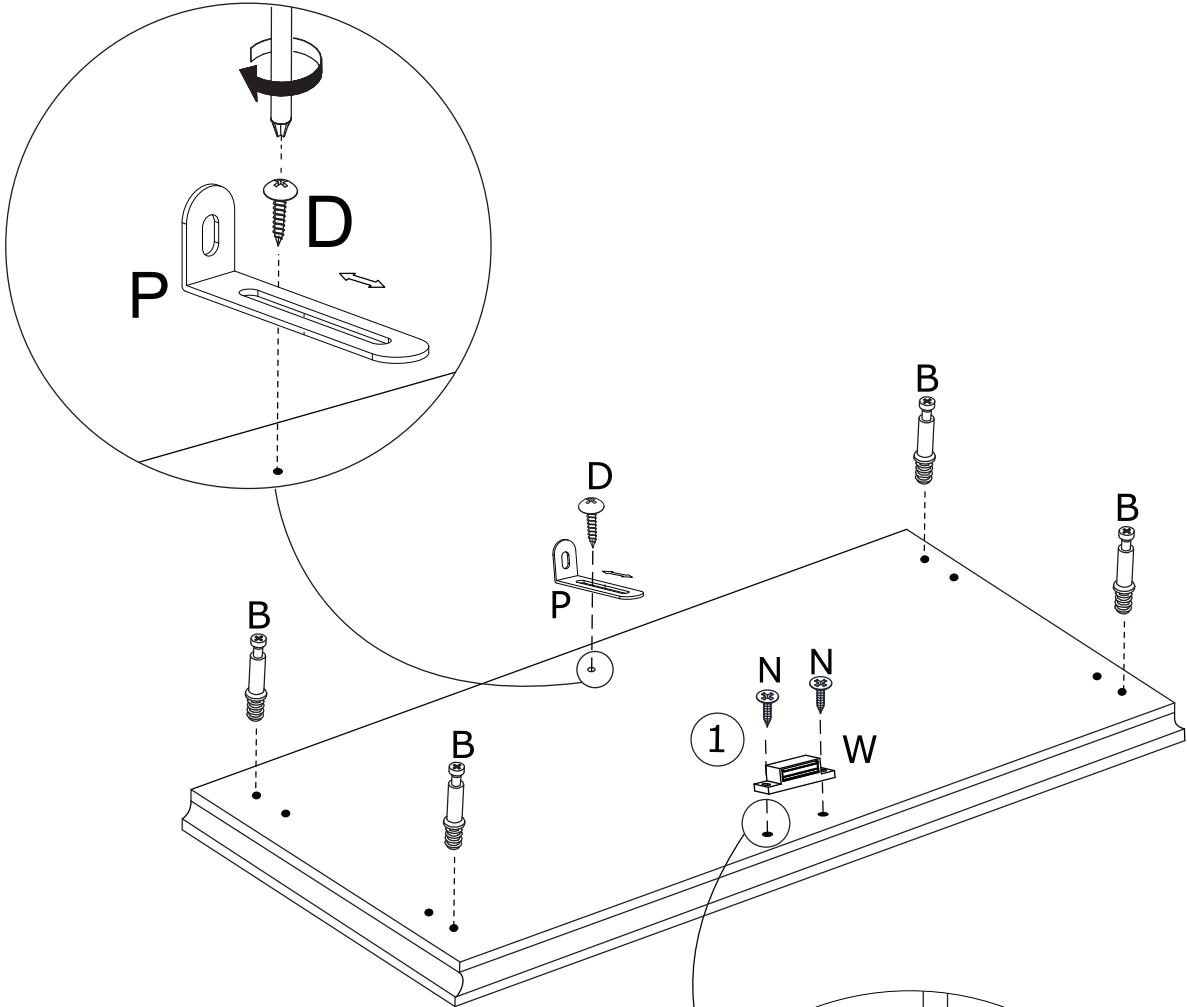
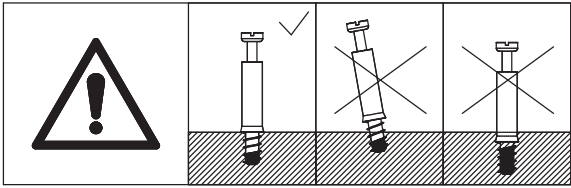


Insert quickfit screw(B) into board 10 with a screwdriver as shown.



16

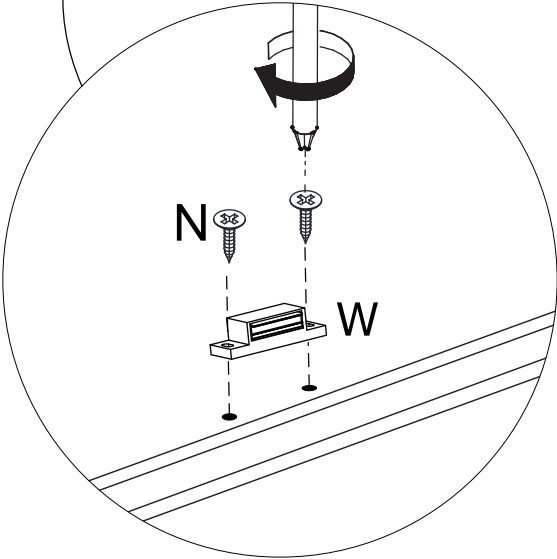
<p>B x 4</p>  <p>∅ 6 x 35 mm</p>	<p>W x 1</p> 	<p>P x 1</p> 	<p>N x 2</p>  <p>∅ 3 x 16 mm</p>	<p>D x 1</p>  <p>∅ 4 x 12 mm</p>	
---	--	--	--	---	---





Fix part(P) to board 1 with screw(D) as shown.

Fix part(W) to board 1 with screw(N) as shown.

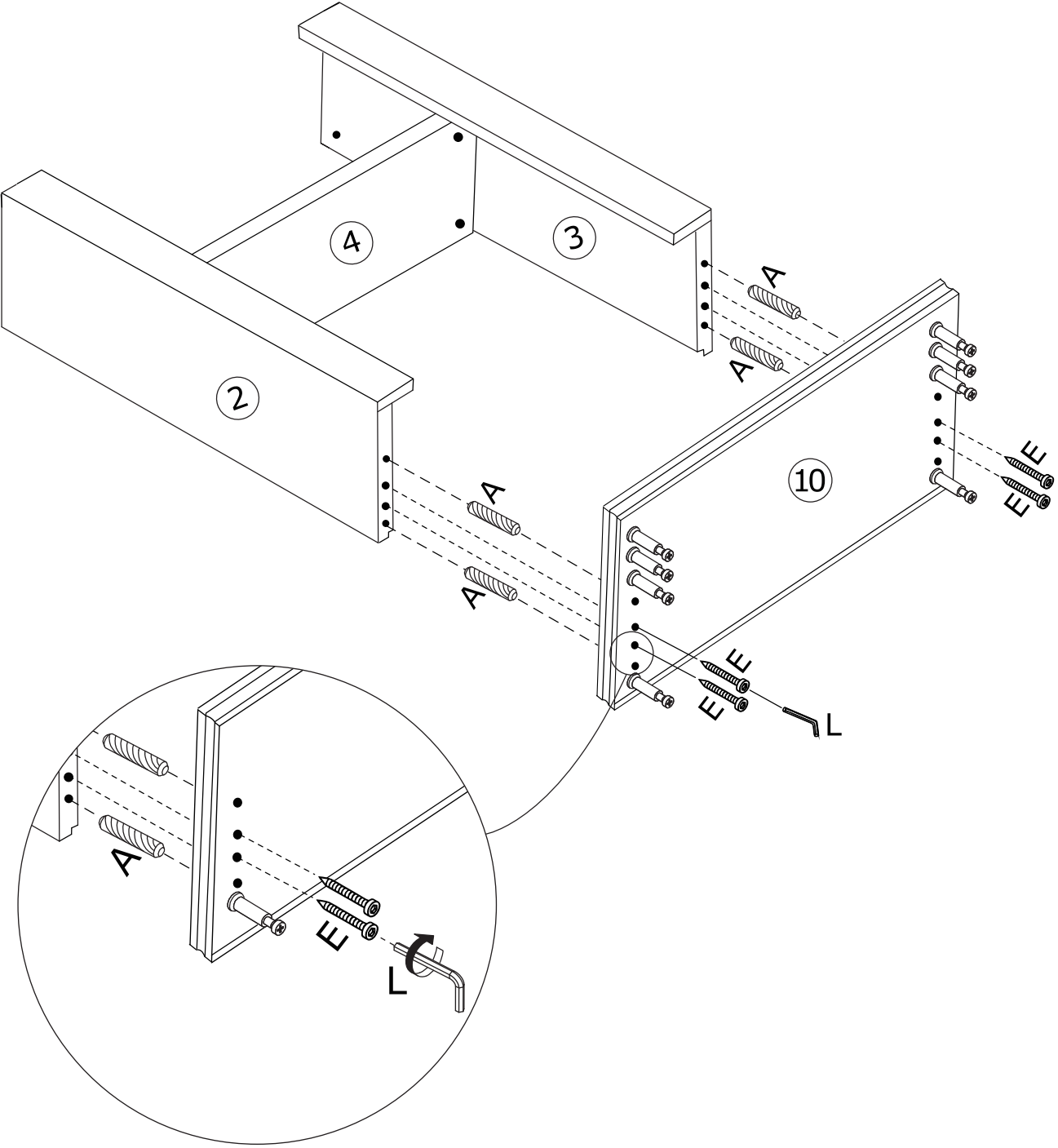
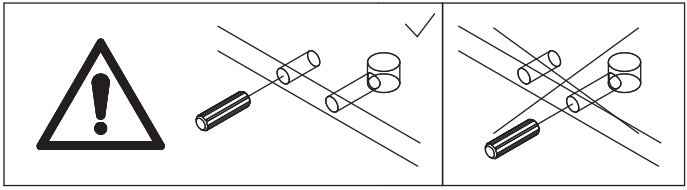
Insert quickfit screw(B) into corresponding holes in board 1 with a screwdriver as shown.



17



A x 4 	E x 4  Ø 5 x 40 mm	
--	---	---

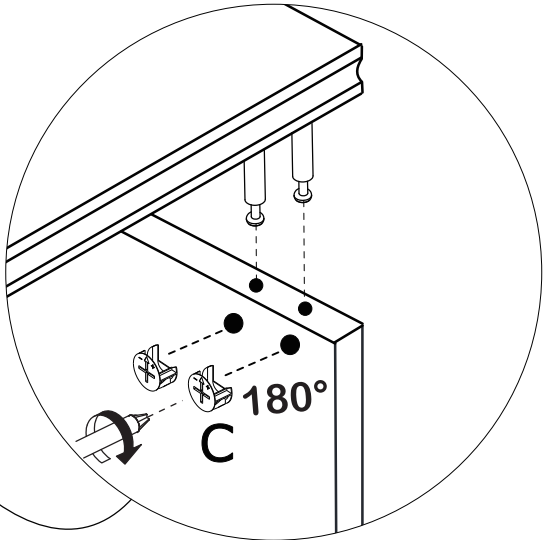
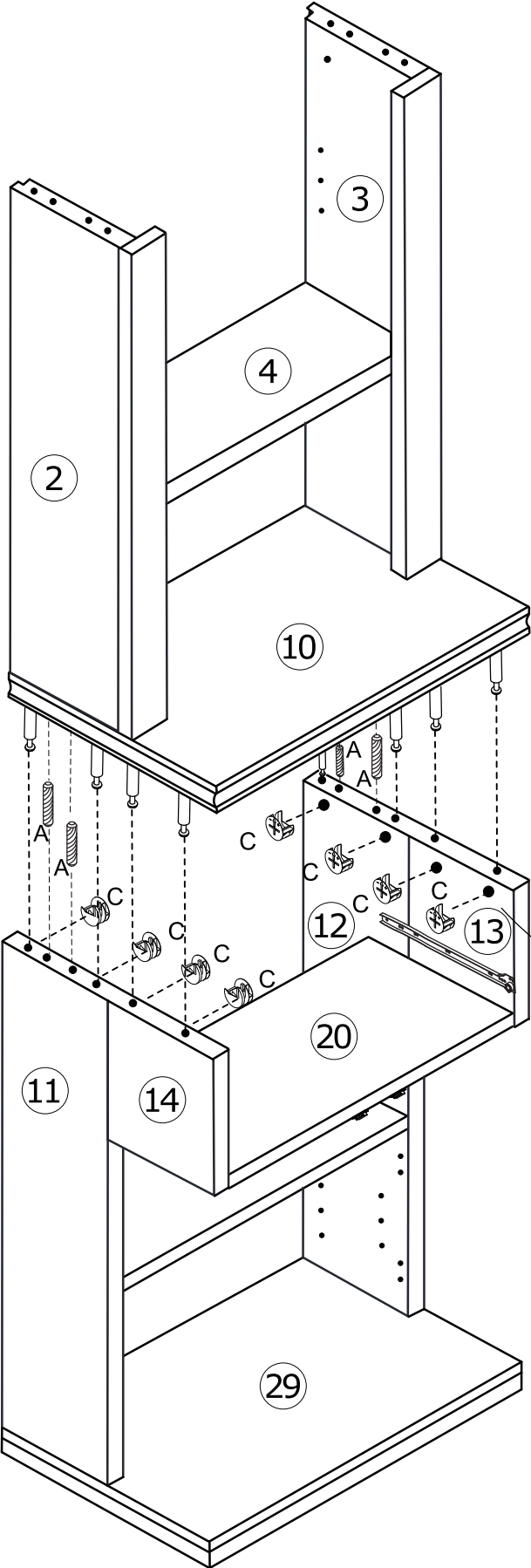
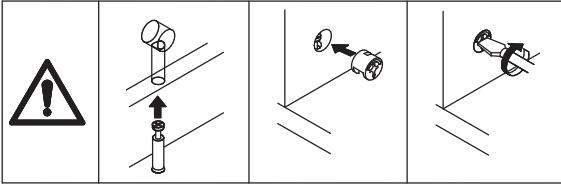
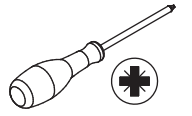
Attach board 10 to board 2,3 with wooden dowel(A) and fix with screw(E) as shown.







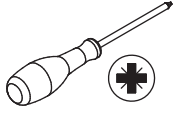
18

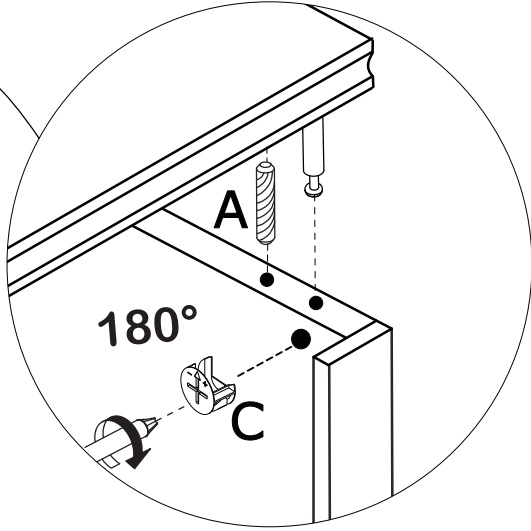
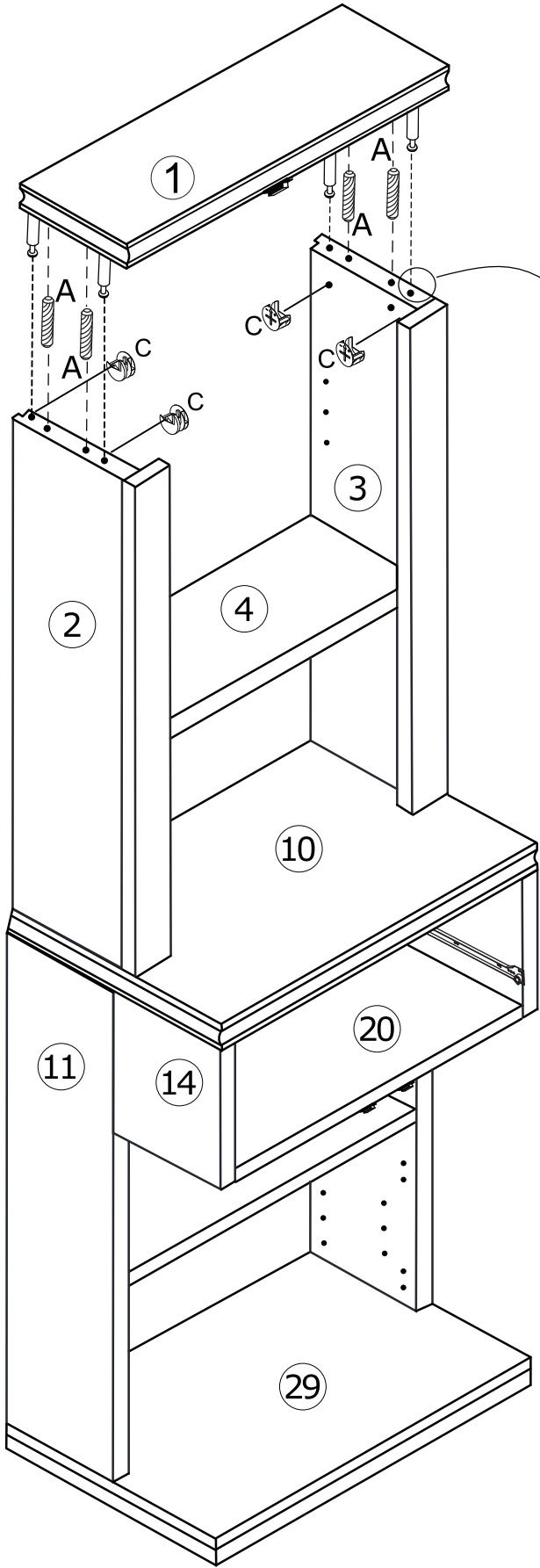
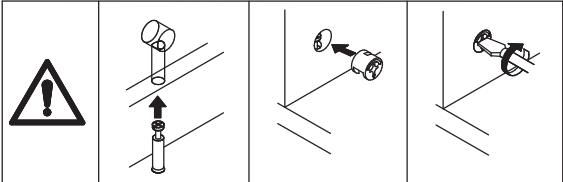
A x 4 	C x 8  Ø 15x10mm
--	---



Connect board 10 with board 11,12,13,14 using wooden dowel(A) and turn cam locks(C) clockwise to tighten as shown.

# 19

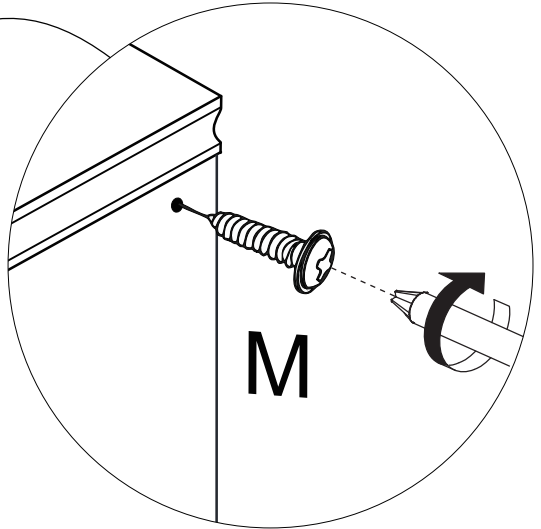
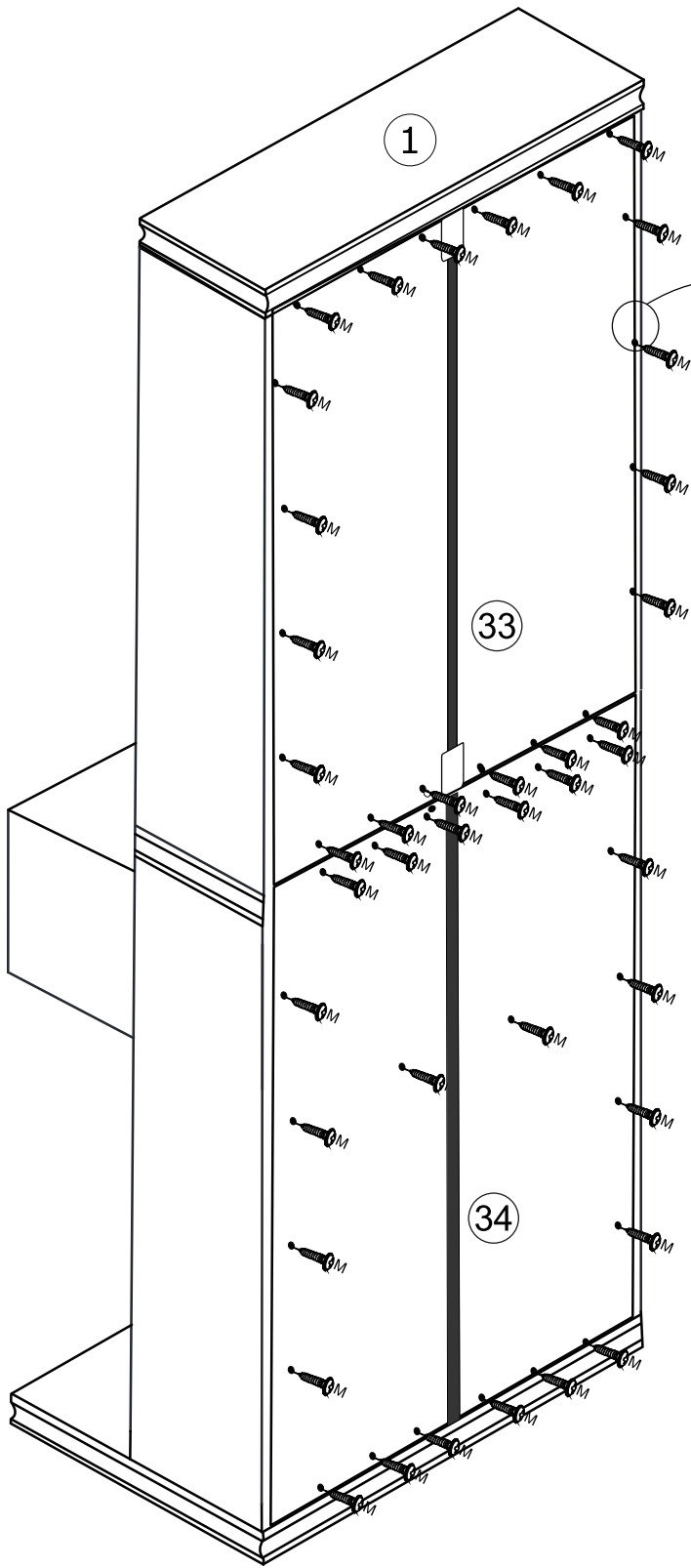
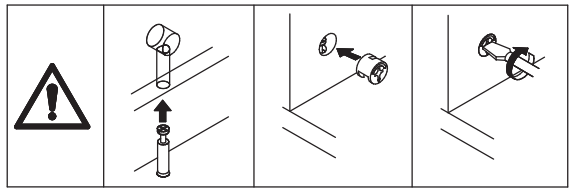
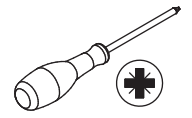
A x 4 	C x 4  Ø 15x10mm	
--	---	---



Cover board 1 to board 2,3 with wooden dowel(A) and turn cam locks(C) clockwise to tighten as shown.

20

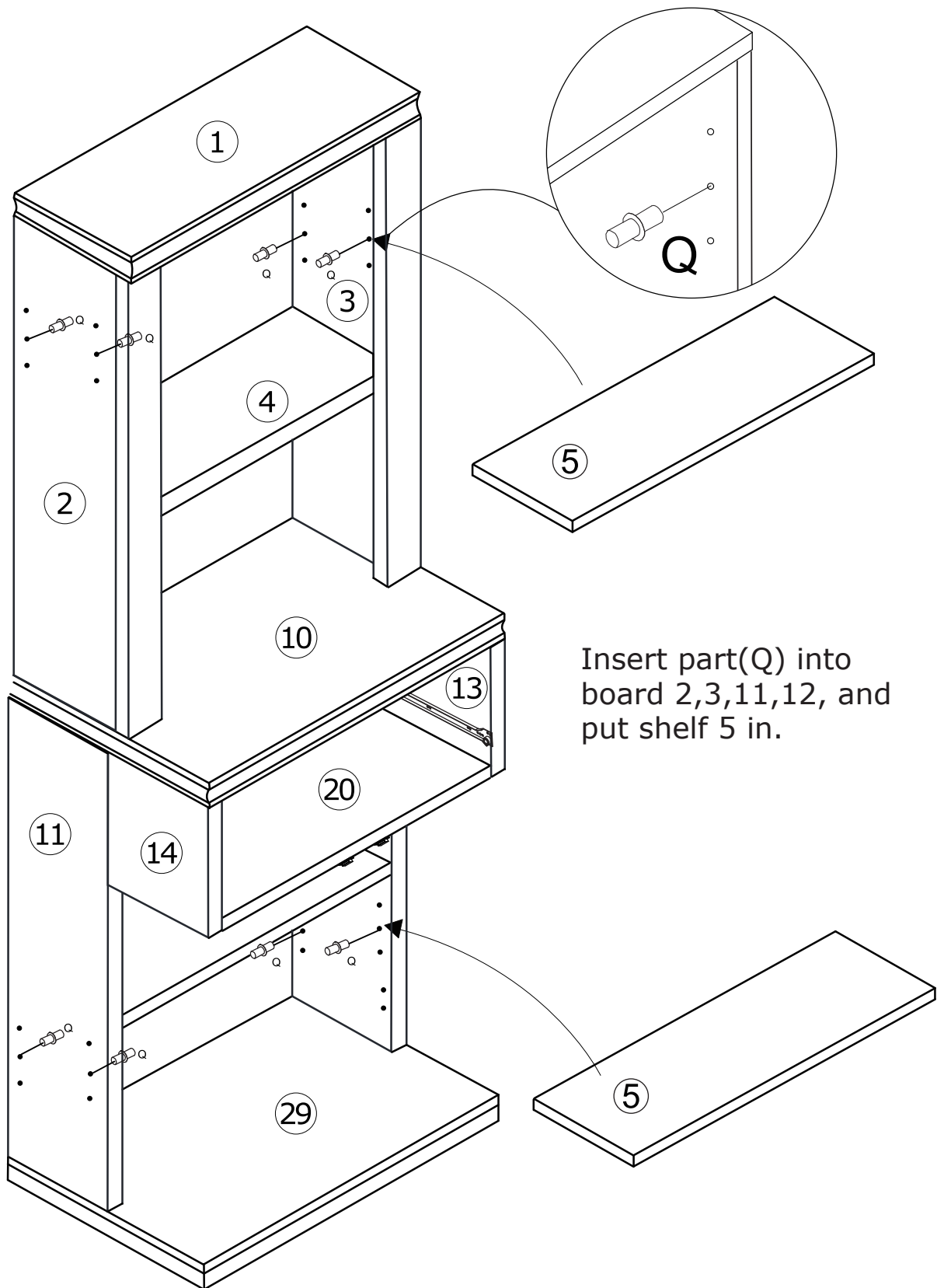
M x 42  
Ø 3x12mm



Fix back board 33, 34 with nail(M) as shown.

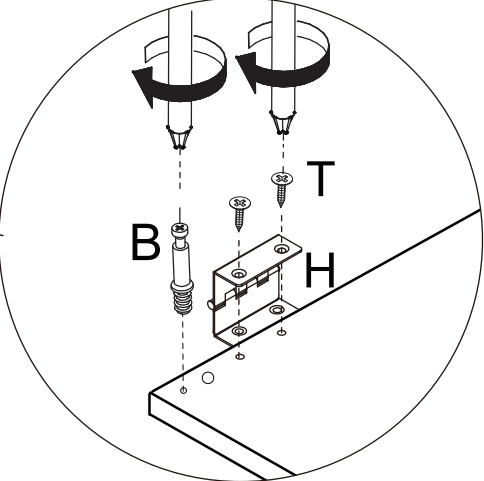
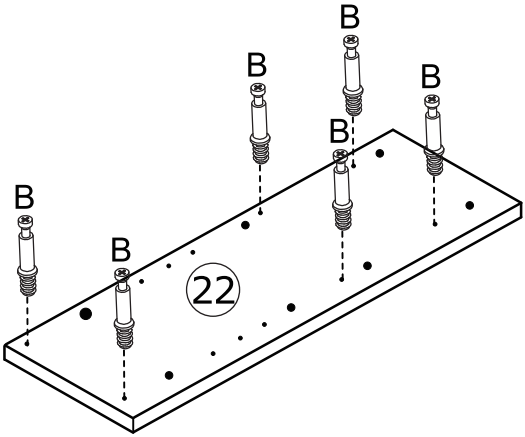
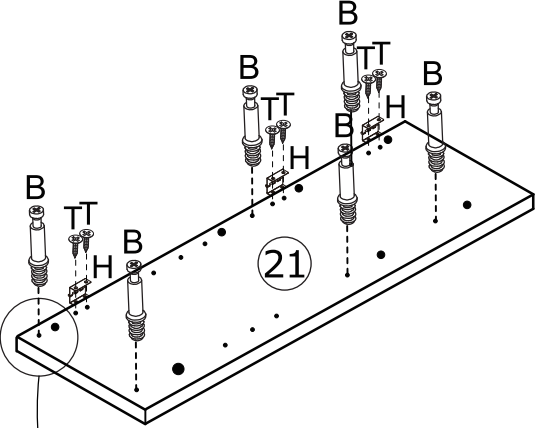
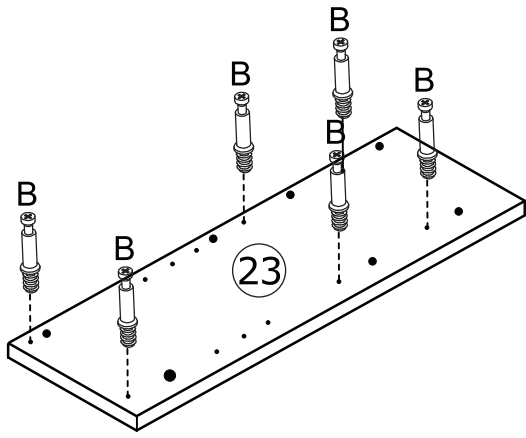
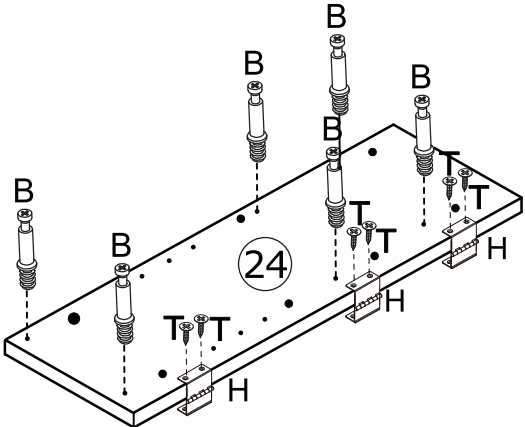
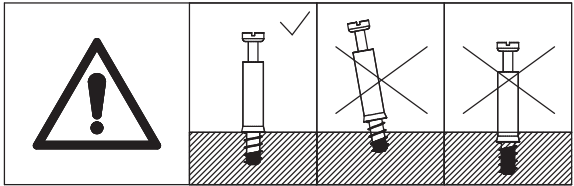
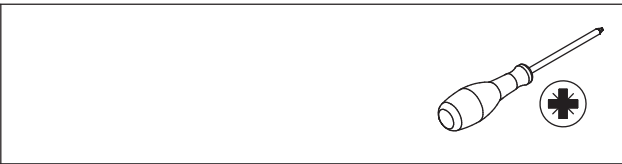
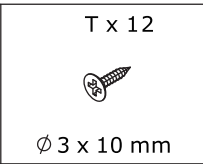
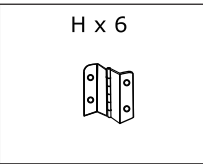
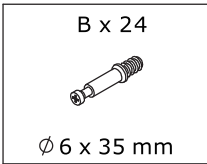
21

Q x 8



Insert part(Q) into board 2,3,11,12, and put shelf 5 in.

22



Insert quickfit screw(B) into corresponding holes in board 24,21,23,22 with a screwdriver as shown.

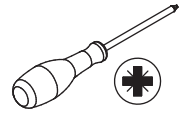
Fix part(H) to board 24,21 with screw(T) as shown.

# 23

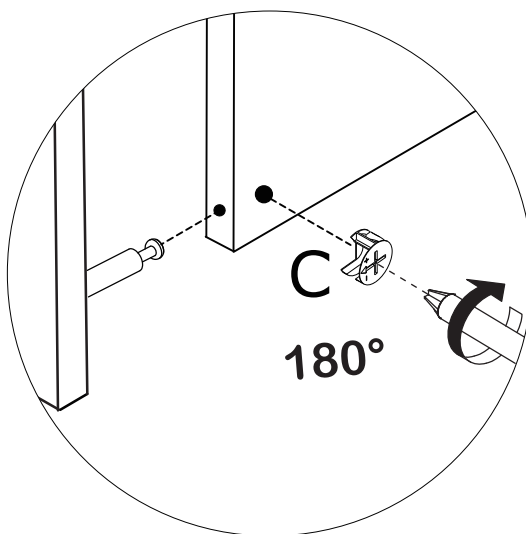
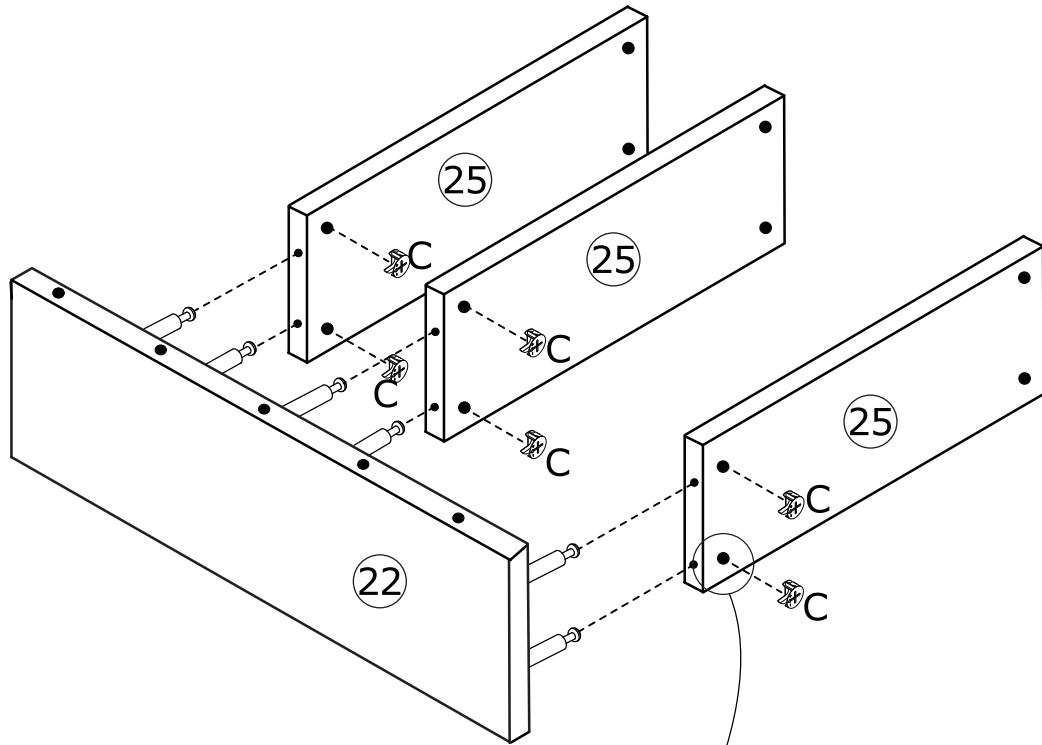
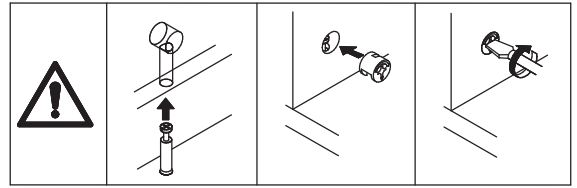
C x 6



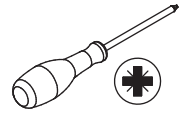
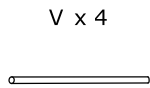
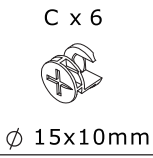
Ø 15x10mm



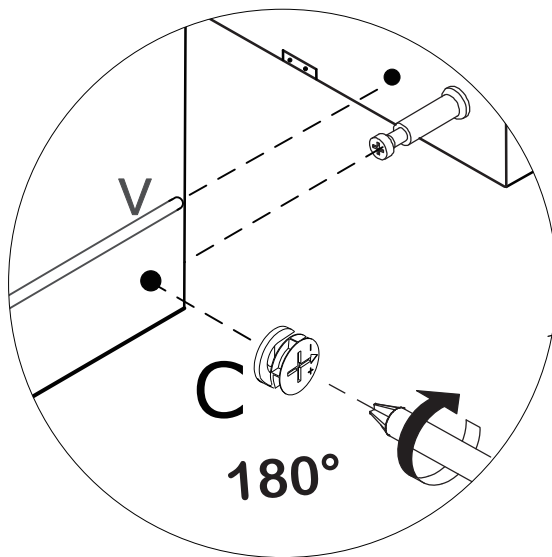
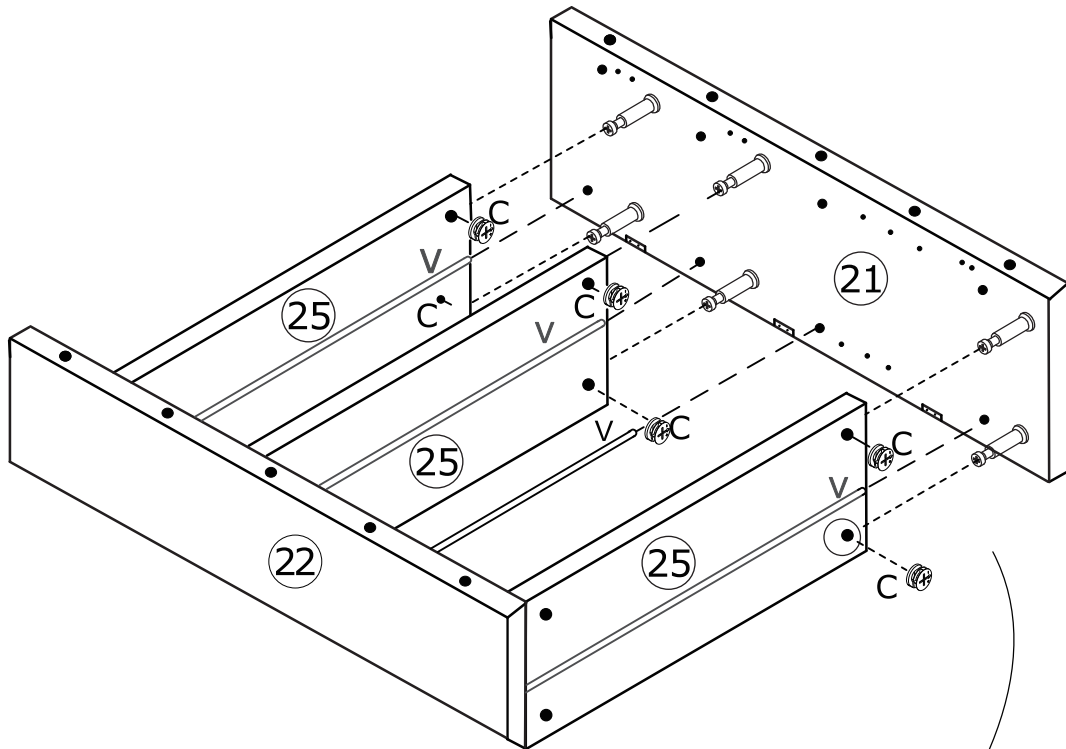
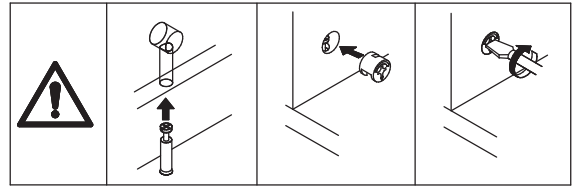
Attach board 25 to board 22 and turn cam locks(C) clockwise to tighten as shown.



# 24



Attach board 21 to board 25 and rod(V), turn cam locks(C) clockwise to tighten as shown.

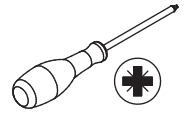


# 25

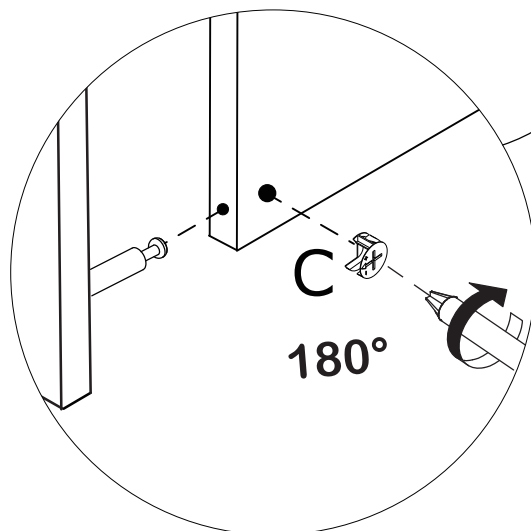
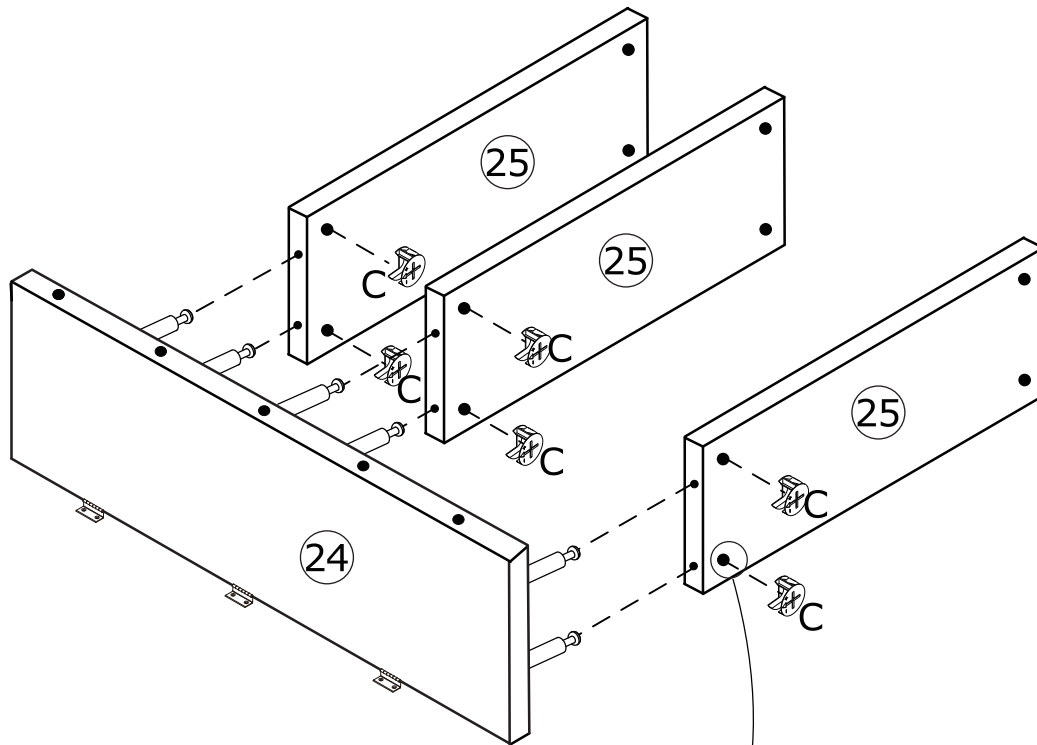
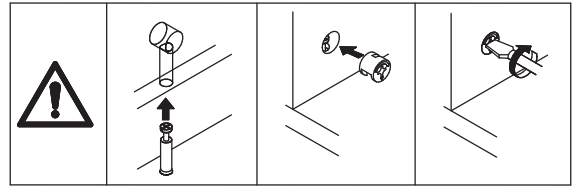
C x 6



Ø 15x10mm



Attach board 25 to board 24 and turn cam locks(C) clockwise to tighten as shown.





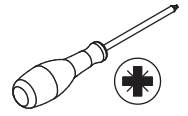
# 26

C x 6

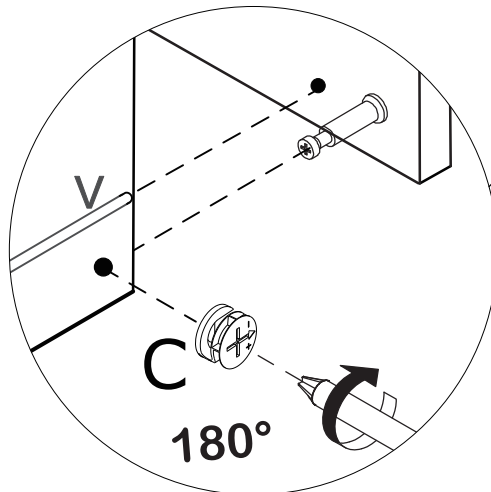
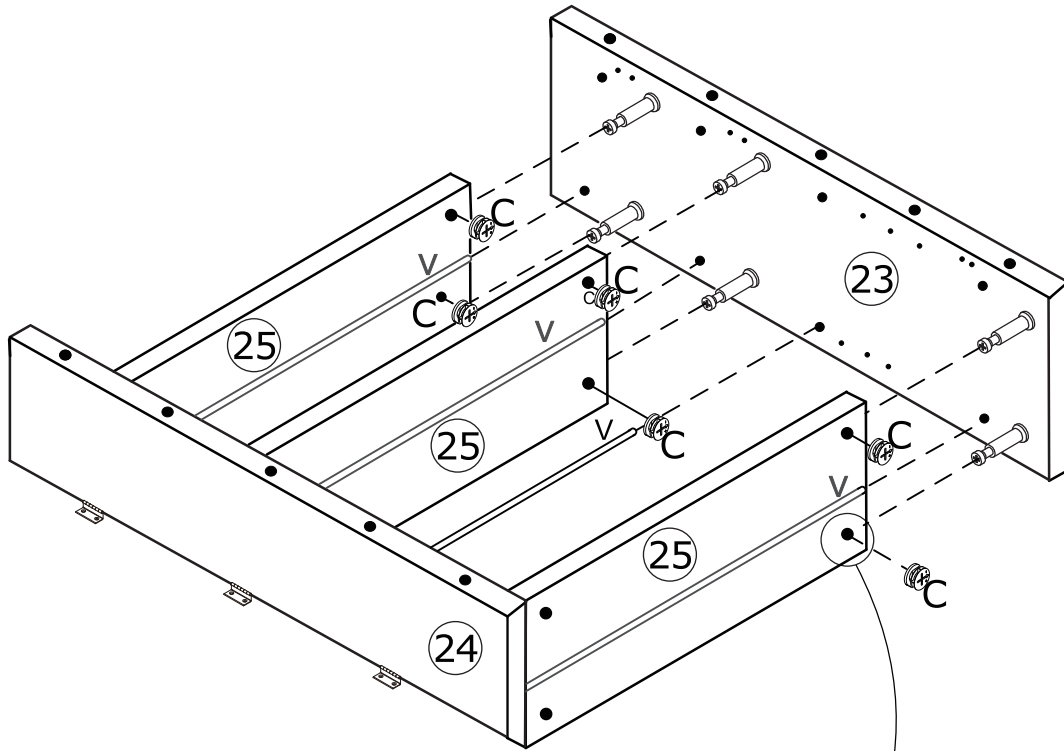
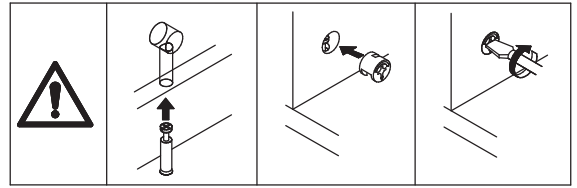


∅ 15x10mm


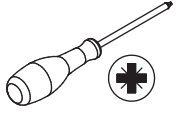
V x 4



Attach board 23 to board 25 and rod(V), turn cam locks(C) clockwise to tighten as shown.

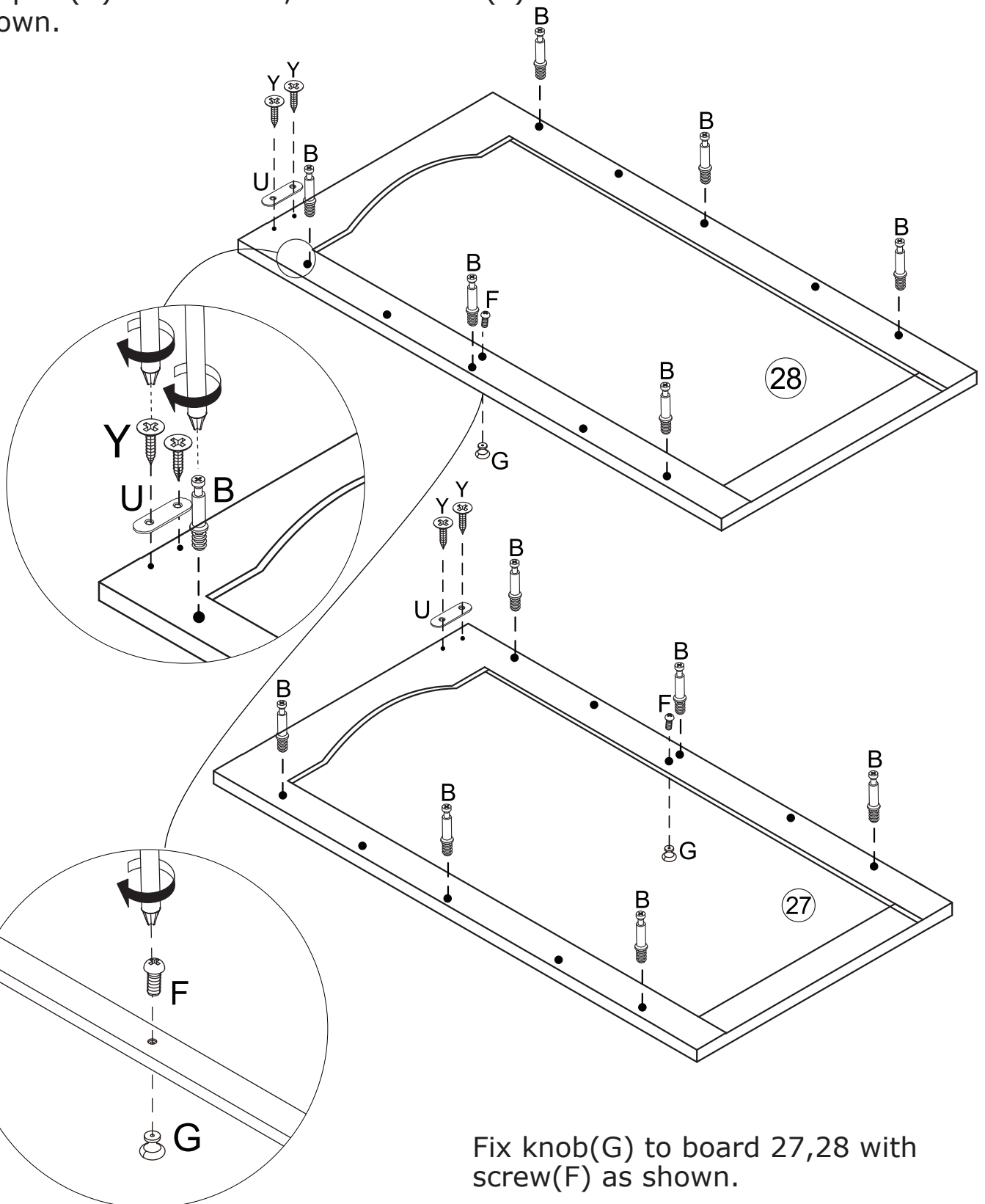
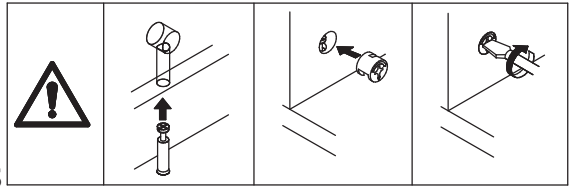


# 27

<b>F x 2</b>  Ø 4x14mm	<b>B x 12</b>  Ø 6x35mm	<b>G x 2</b> 	<b>Y x 4</b>  Ø 3x8mm	<b>U x 2</b> 	
---	--	---	---	---	---

Insert quickfit screw(B) into corresponding holes in board 28,27 with a screwdriver as shown.

Fix part(U) to board 28,27 with screw(Y) as shown.



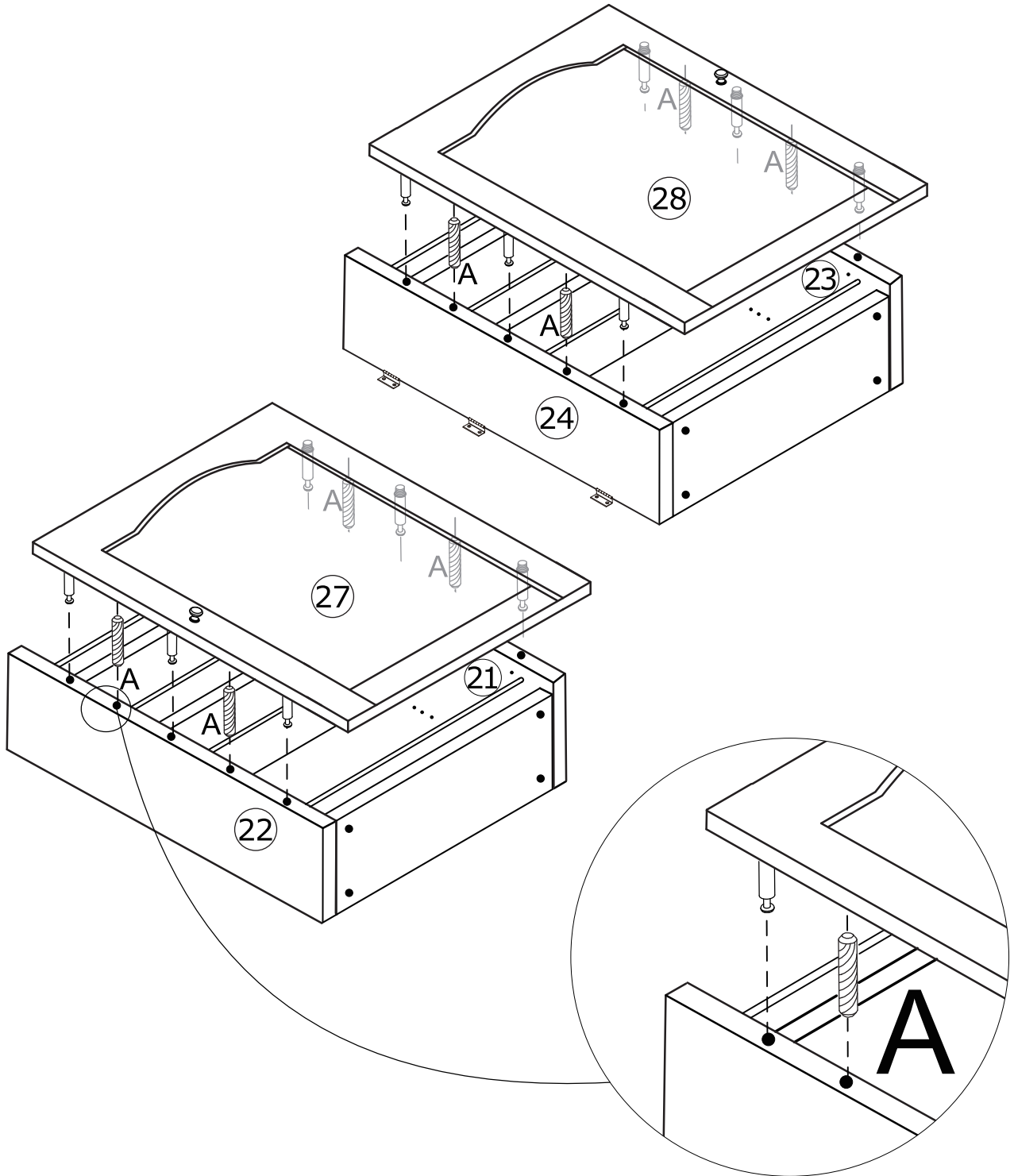
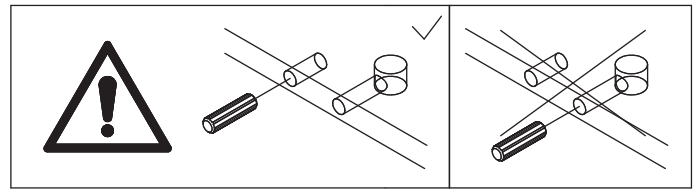
Fix knob(G) to board 27,28 with screw(F) as shown.

# 28

A x 8



Attach board 27 to board 21,22,  
board 28 to board 23,24 with  
wooden dowel(A) as shown.

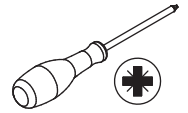


# 29

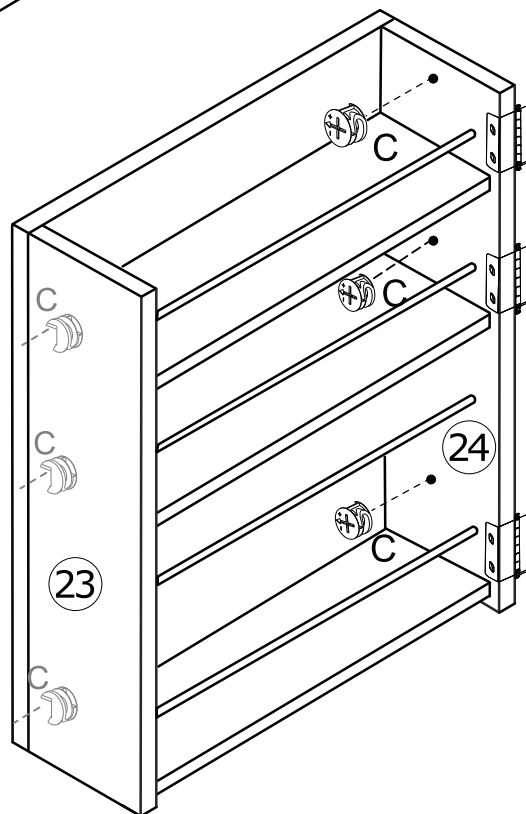
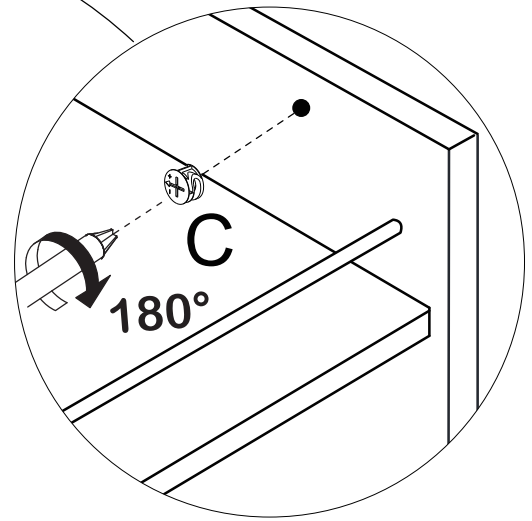
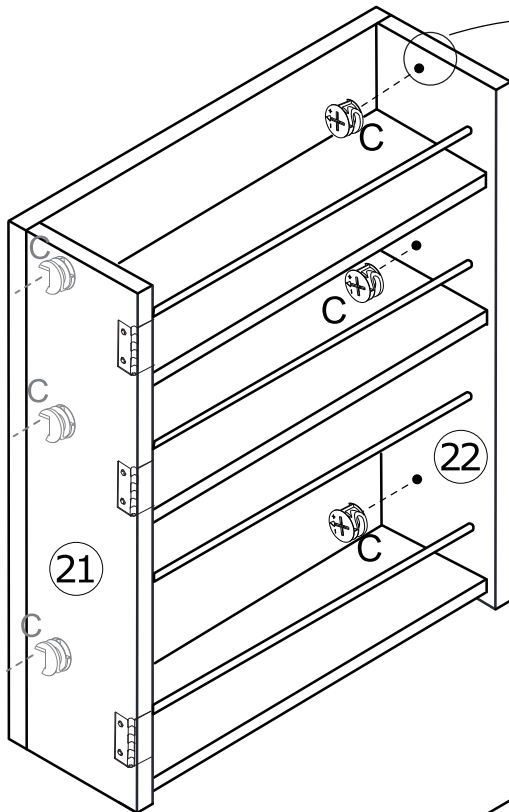
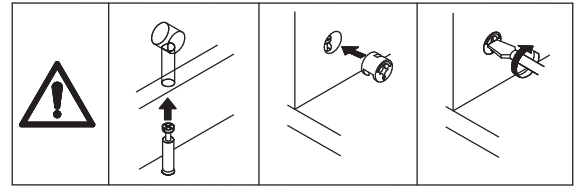
C x 12



∅ 15x10mm



Insert cam locks(C) into board 21,22,23,24 and turn clockwise to tighten.



# 30

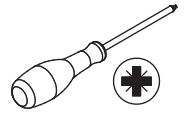
Q x 8



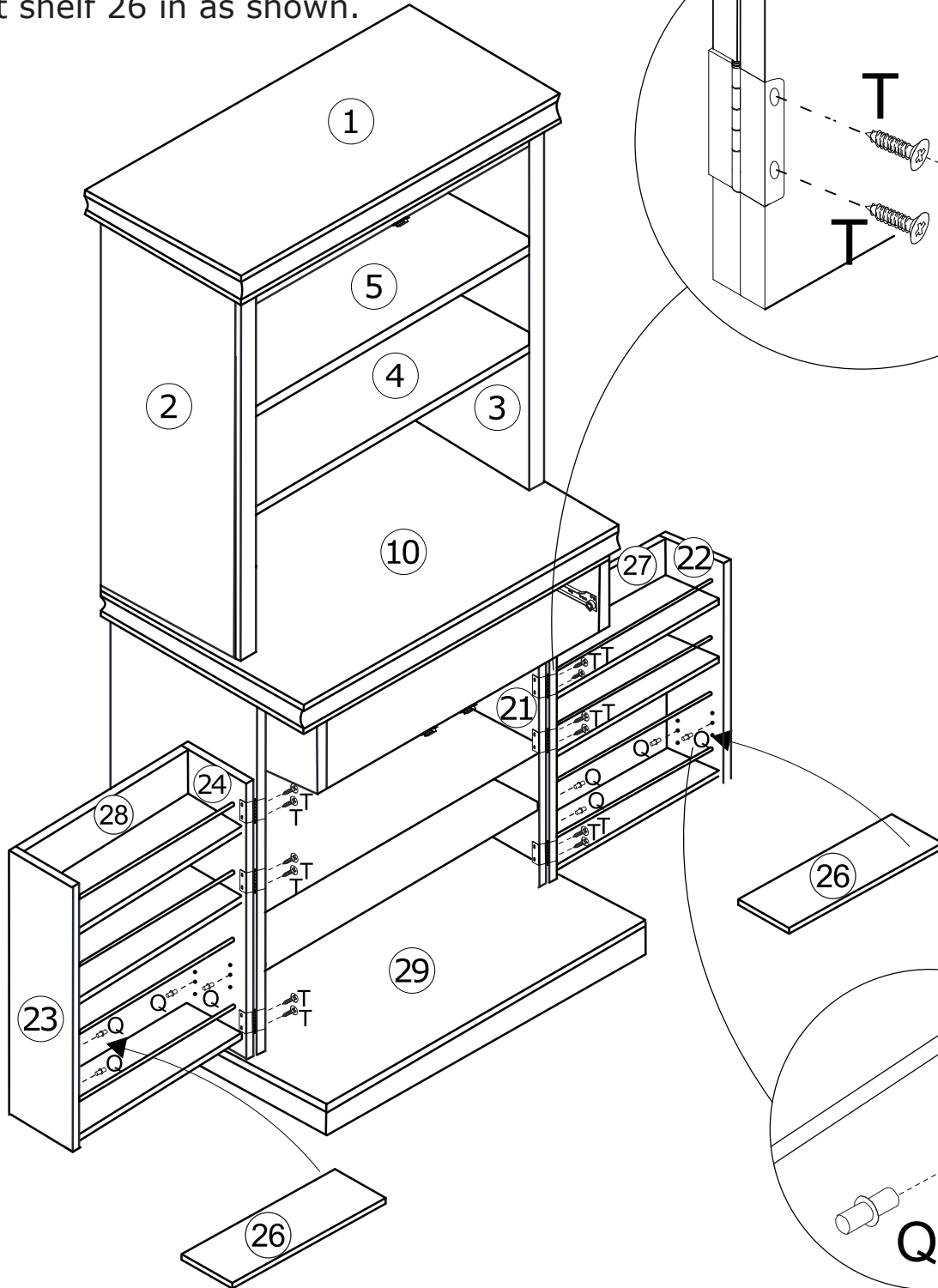
T x 12









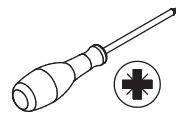
∅ 3x10mm



Attach the 2 components to board 11,12 with screw(T) as shown.  
Insert part(Q) to board 23,24,21,22,  
put shelf 26 in as shown.



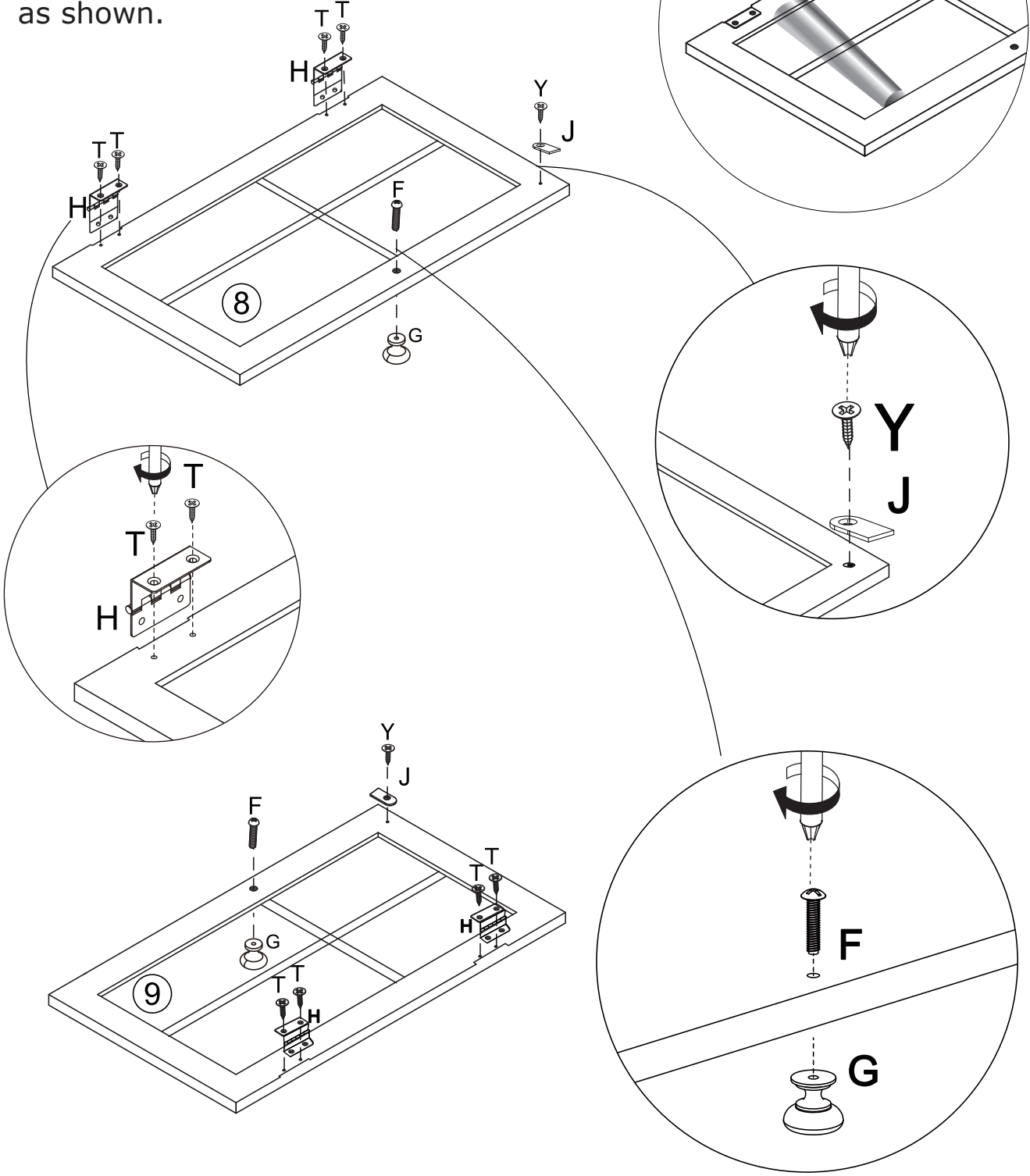
# 31

H x 4 	T x 8  Ø 3x10mm	J x 2 	F x 2  Ø 4x16mm	G x 2 	Y x 2  Ø 3x8mm	
--	--	--	--	---	---	---

Fix part(H) to board 8 and 9 with screw(T) as shown.

Fix part(J) to board 8 and 9 with screw(Y) as shown.

Fix knob(G) to board 8 and 9 with screw(F) as shown.

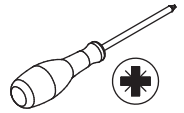


# 32

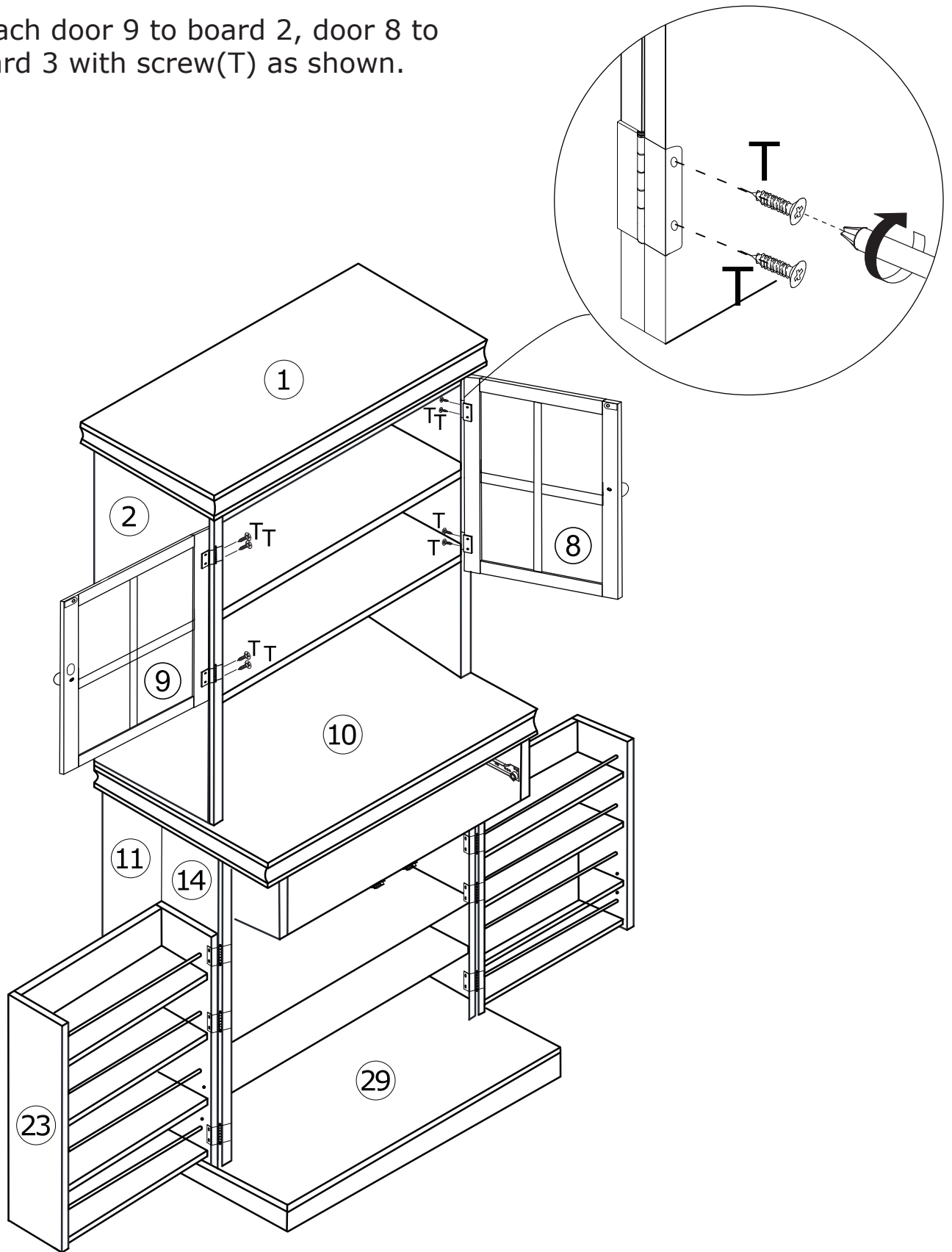
T x 8



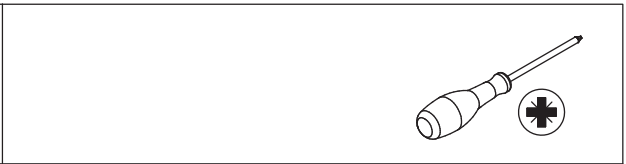
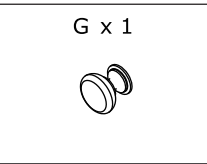
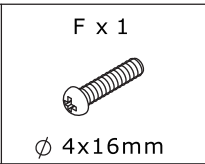
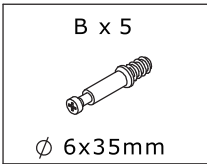
∅ 3x10mm



Attach door 9 to board 2, door 8 to board 3 with screw(T) as shown.

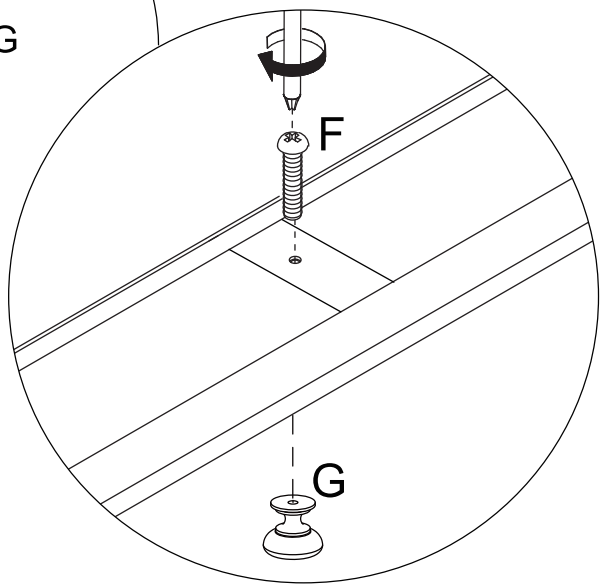
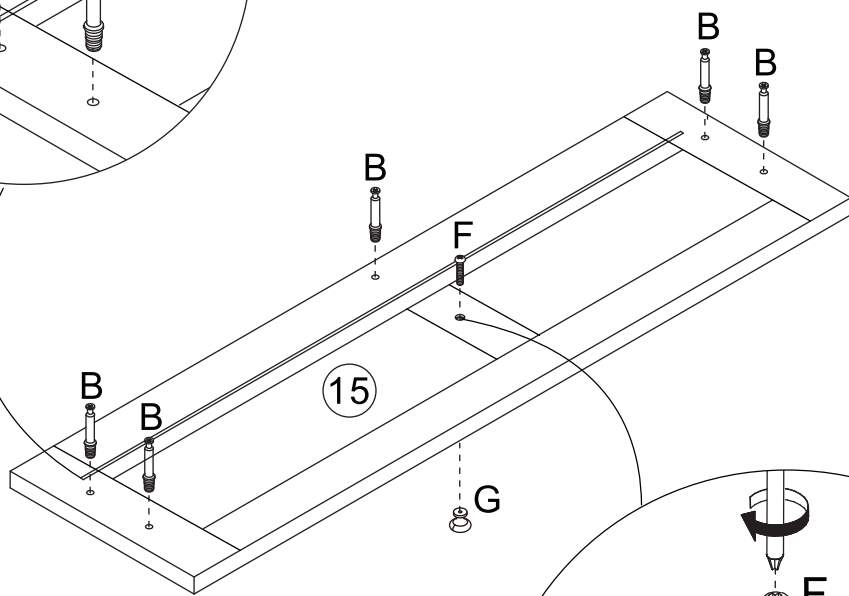
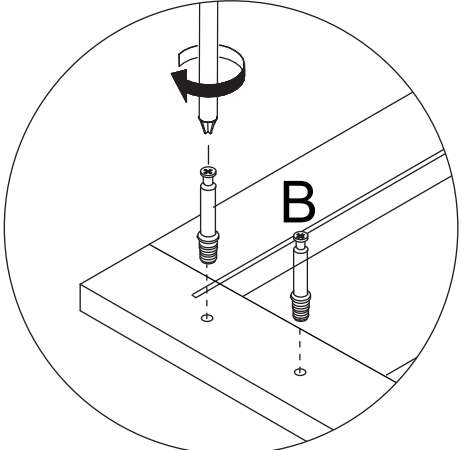
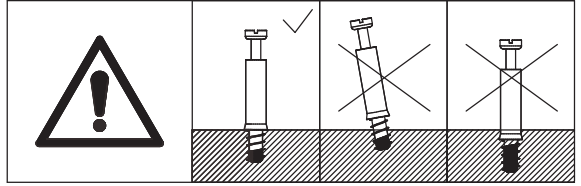


33



Insert quickfit screw(B) into corresponding holes in board 15 with a screwdriver as shown.

Fix knob(G) with screw(F) as shown.



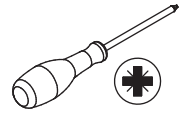


34

X x 5



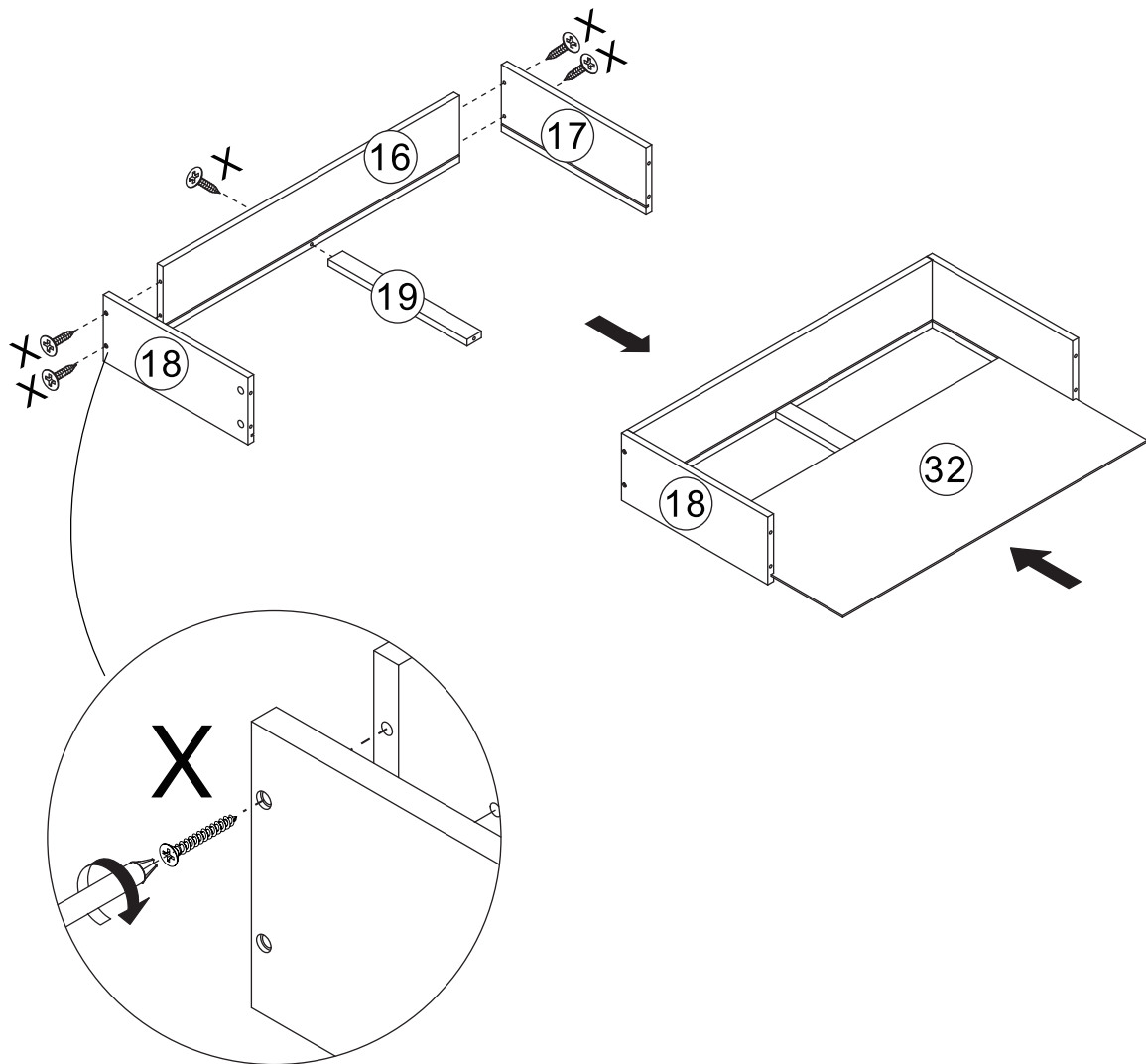
Ø 4x30mm



When installing, please carefully confirm whether each screw corresponds to the manual, accessories with similar shapes can be distinguished by size

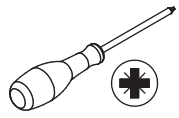
Attach board 17,18,19 to board 16 with screw(X) as shown.

Slide board 32 into available slots as shown.

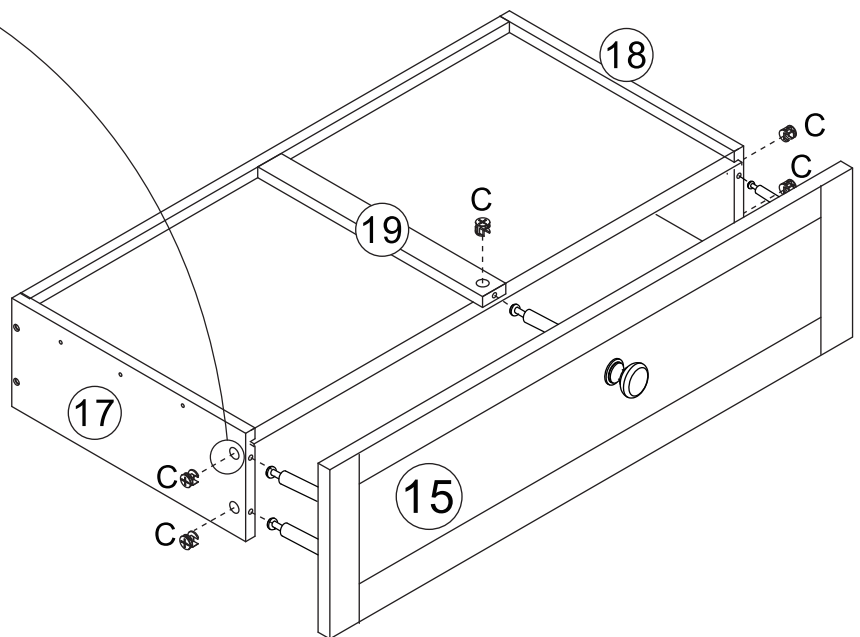
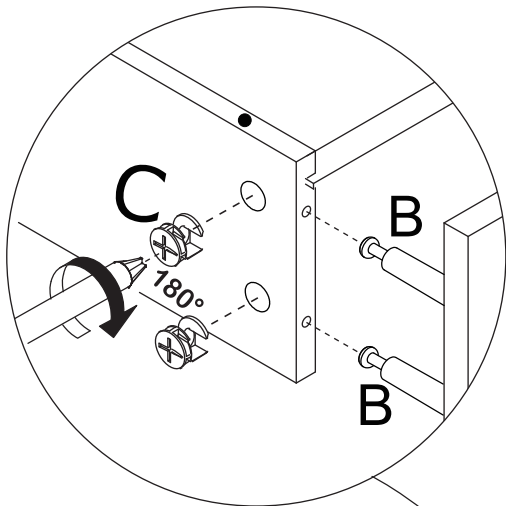
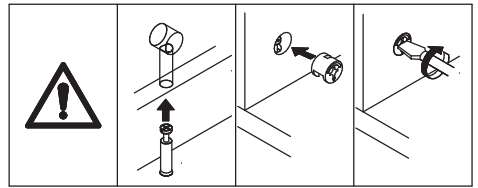


35


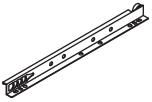
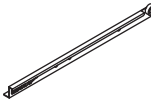
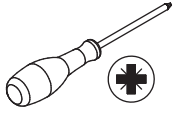
C x 5  
Ø 15x10mm






Attach board 15 to board 17,18,19 and turn cam locks(C) clockwise to tighten as shown.

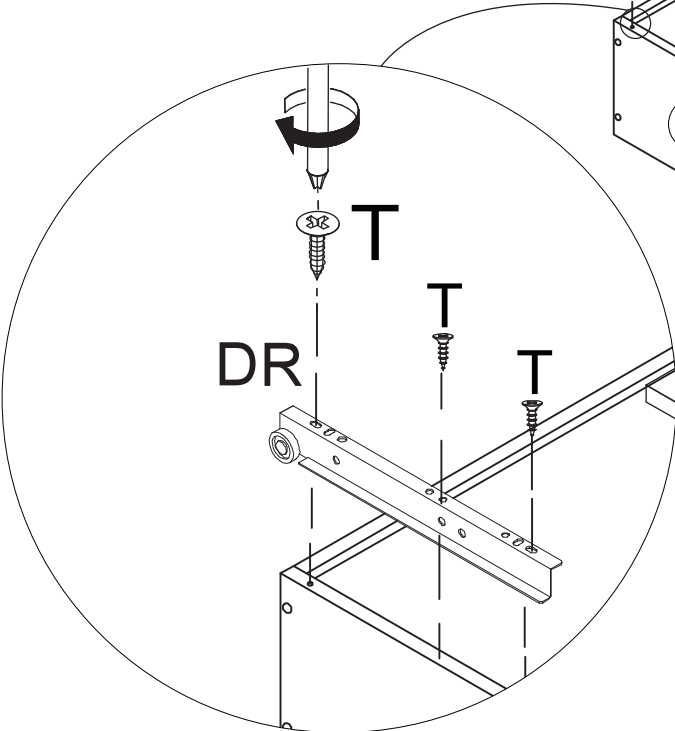
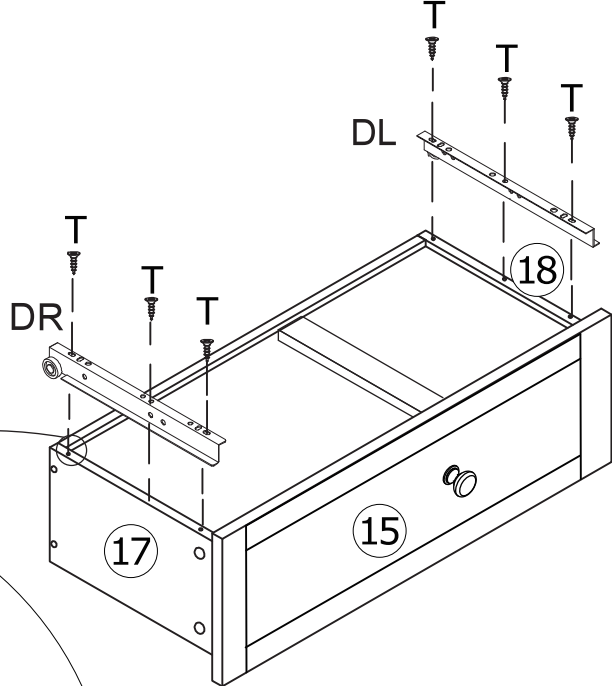
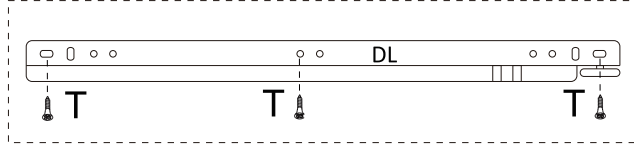
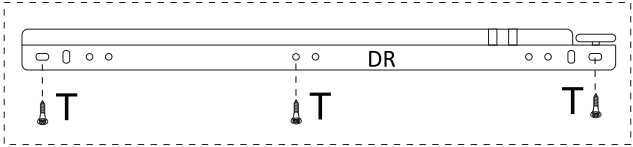


# 36

T x 6  Ø 3 x 10mm	DL x 1 	DR x 1 	
--	---	---	---

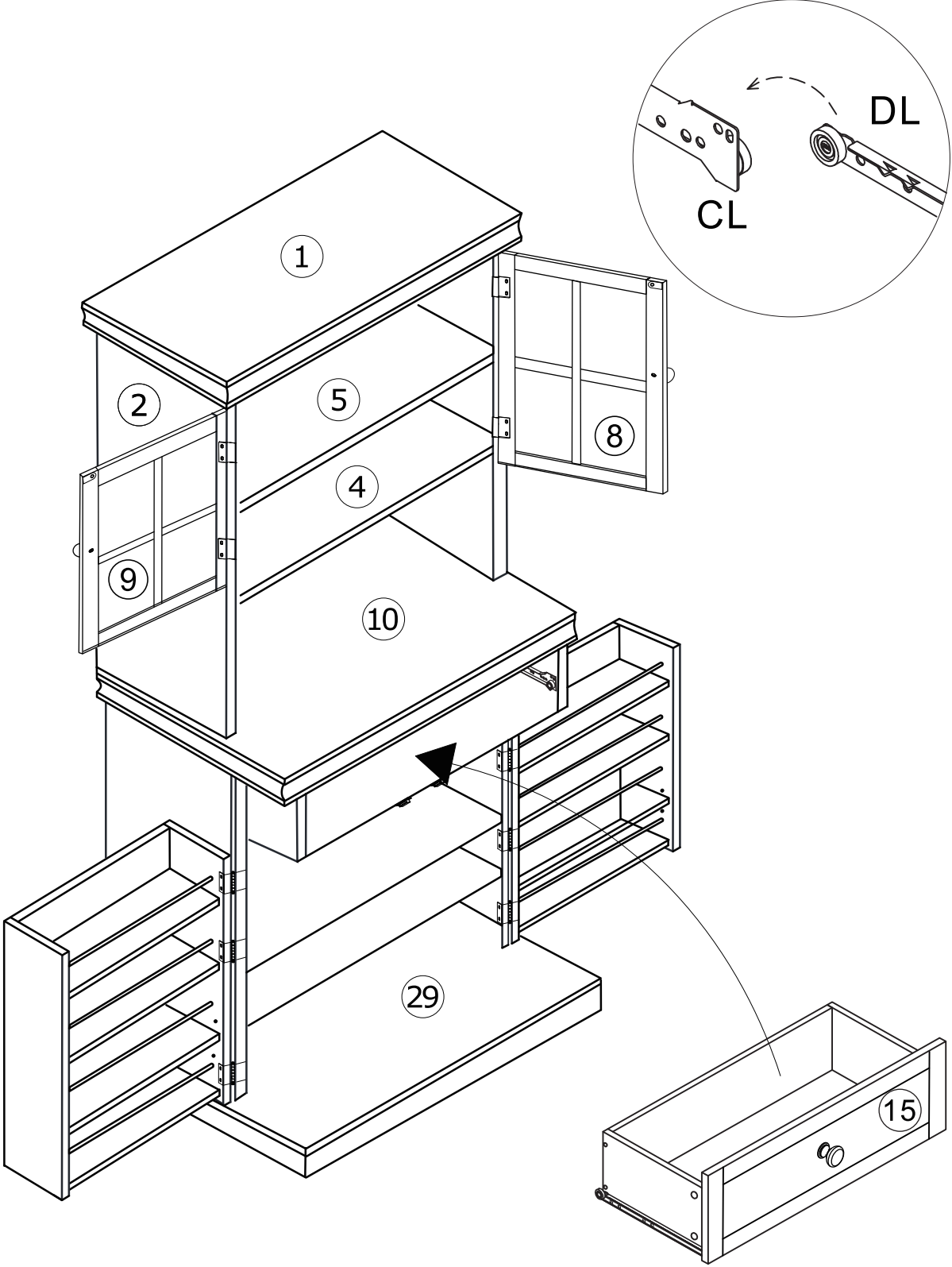
Fix runner(DL) and (DR) to board 18 and 17 respectively with screw(T) as shown.

	T  Ø 3 x 10 mm	M  Ø 3 x 14mm
--	---	--



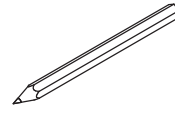

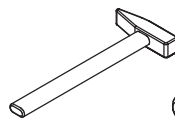
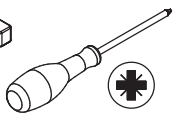


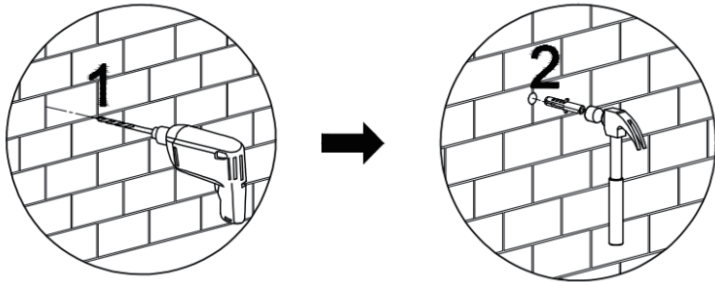
# 37

Align rails, slide all drawers.

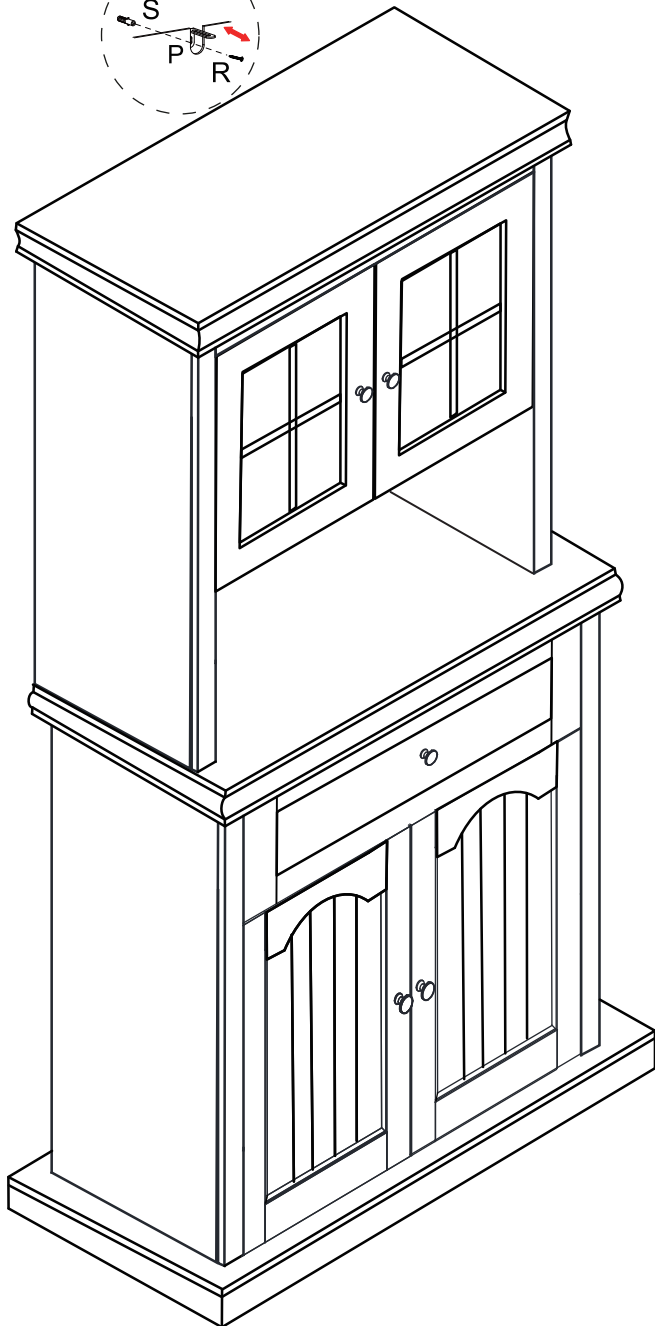
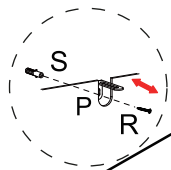
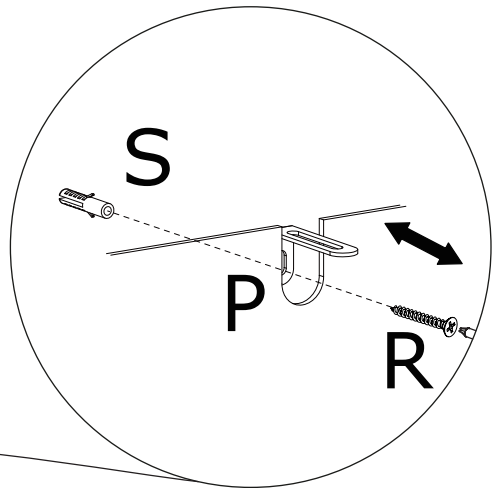


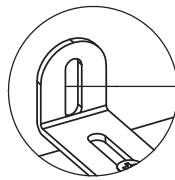
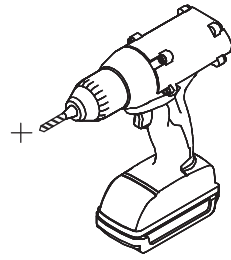
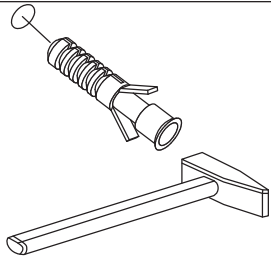
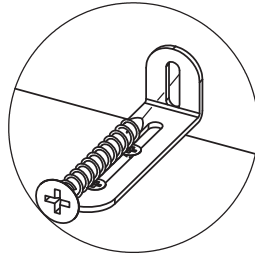
38

S x 1 	R x 1  Ø 4 x 35 mm				
--	---	---	---	--	---



Fix part(S) into a proper position on your wall, fix part(P) to part(S) with screw(R) as shown.



# WARRANTY

## WARRANTY CLAIMS

- There is a 30-day warranty for broken furniture or any other problems that do not work properly. The warranty will start from the date of purchase which must be verified by proof of purchase.
- Before making a claim, we may be able to answer your query, simply call us. Please leave your purchase order number, along with some details of the problem, if you want a replacement part. We will arrange within 48 hours. If there is out of stock, we will reply with a shipping date.
- The product must be used in accordance with the instructions provided. For health reasons.
- For other reasons, if the furniture needs to be returned, it must be cleaned and dried and operated within 30 days of receipt.

## Type of Warranty Claim

- Failure to follow the furniture instructions will invalidate the warranty. Attention please.
- Does not include damage during installation, but includes damage during transportation.

## Scope of responsibility

- Shall not bear any responsibility for misuse or user damage and / or loss of parts during the installation of furniture.
- After using, the damage and scratches of the furniture are not covered by the warranty.

## The Warranty Relates to All Bought in The Us and Covers The Following Areas

- Sheet parts: 1 month from the date of purchase.
- Electrical parts: 1 month from the date of purchase.

# RETURNS

## CHANGED YOUR MIND AND NEED TO RETURN YOU ITEM?

### PLEASE FOLLOW THE BELOW INSTRUCTIONS:

- If you have purchased and have simply changed your mind, follow the retailer's instructions for returns.

### DEFECTIVE ITEMS

- If your item is defective in any way, i.e. it doesn't work but you can't identify why, in the first instance, please call us.

### DAMAGED ITEMS

- If you receive an order with obvious shipping damage from the retailer, then we suggest the delivery is refused. If the delivery has been accepted and then shipping damage is found, please follow the specific instructions advised by the retailer. In all circumstances please save all packaging material and paperwork for the order. Please be aware that if you dispose of packaging material or attempt to return the merchandise without contacting the fulfiller, you jeopardise your chances of making a claim, and you may not receive a credit for the return.