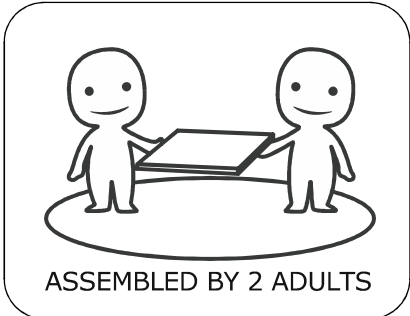
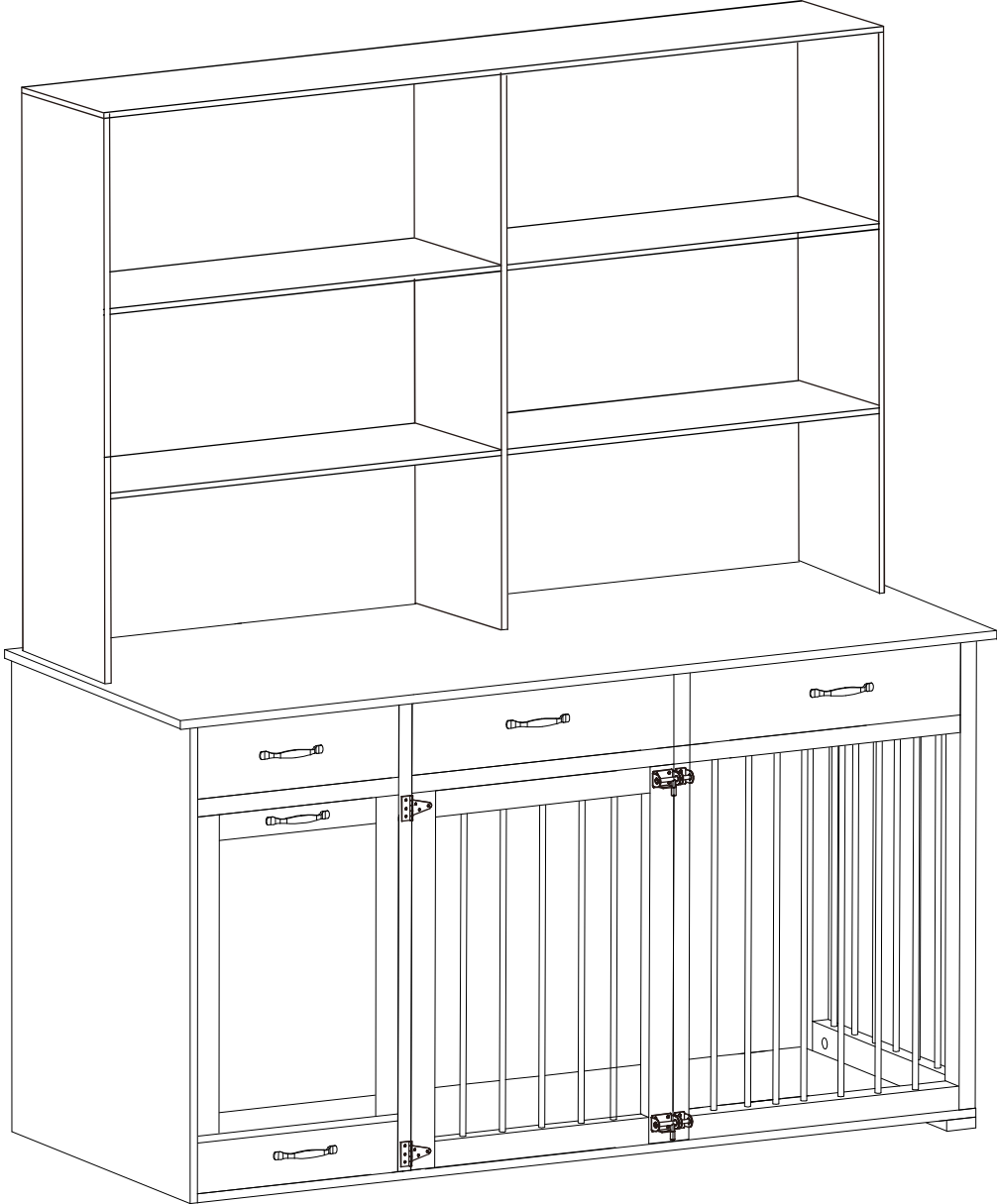
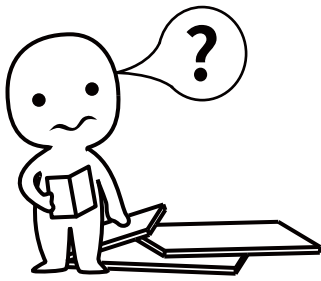


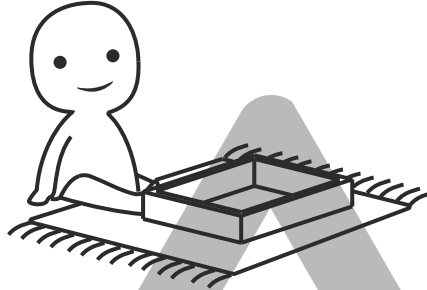
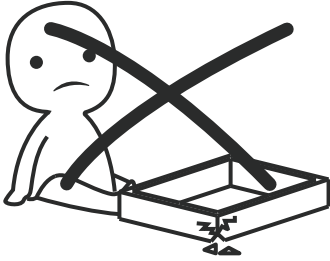
Product Instruction





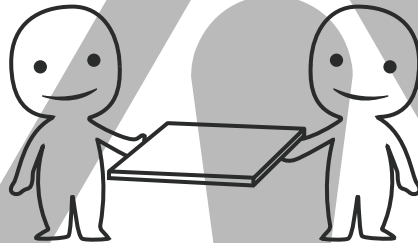
IMPORTANT INFORMATION!

please read the entire manual before starting to assemble and/or using this product. follow the manual thoroughly and keep it for further reference.



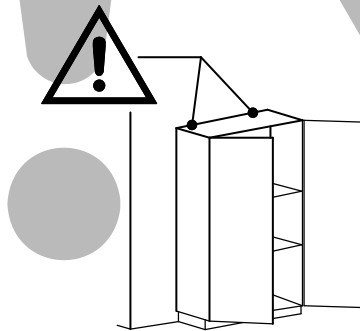
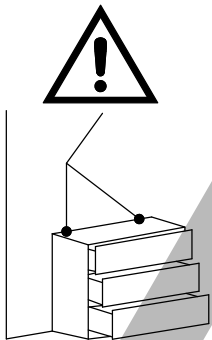
AVOID SCRATCHES!

In order to avoid scratching this furniture should be assembled on a soft layer- could be a rug.



IMPROVE EFFICIENCY !

Try to find a partner to install with you, which can speed up the installation efficiency and shorten the time.



ANTI-TOPPLE WARNING !

Overturned furniture can cause serious or fatal crush injuries. To prevent tipping over, be sure to use the wall attachment, if not included with this product. Please purchase the wall attachment that fit your wall. If unsure, seek professional advice. Please read and follow each step of the instructions carefully.

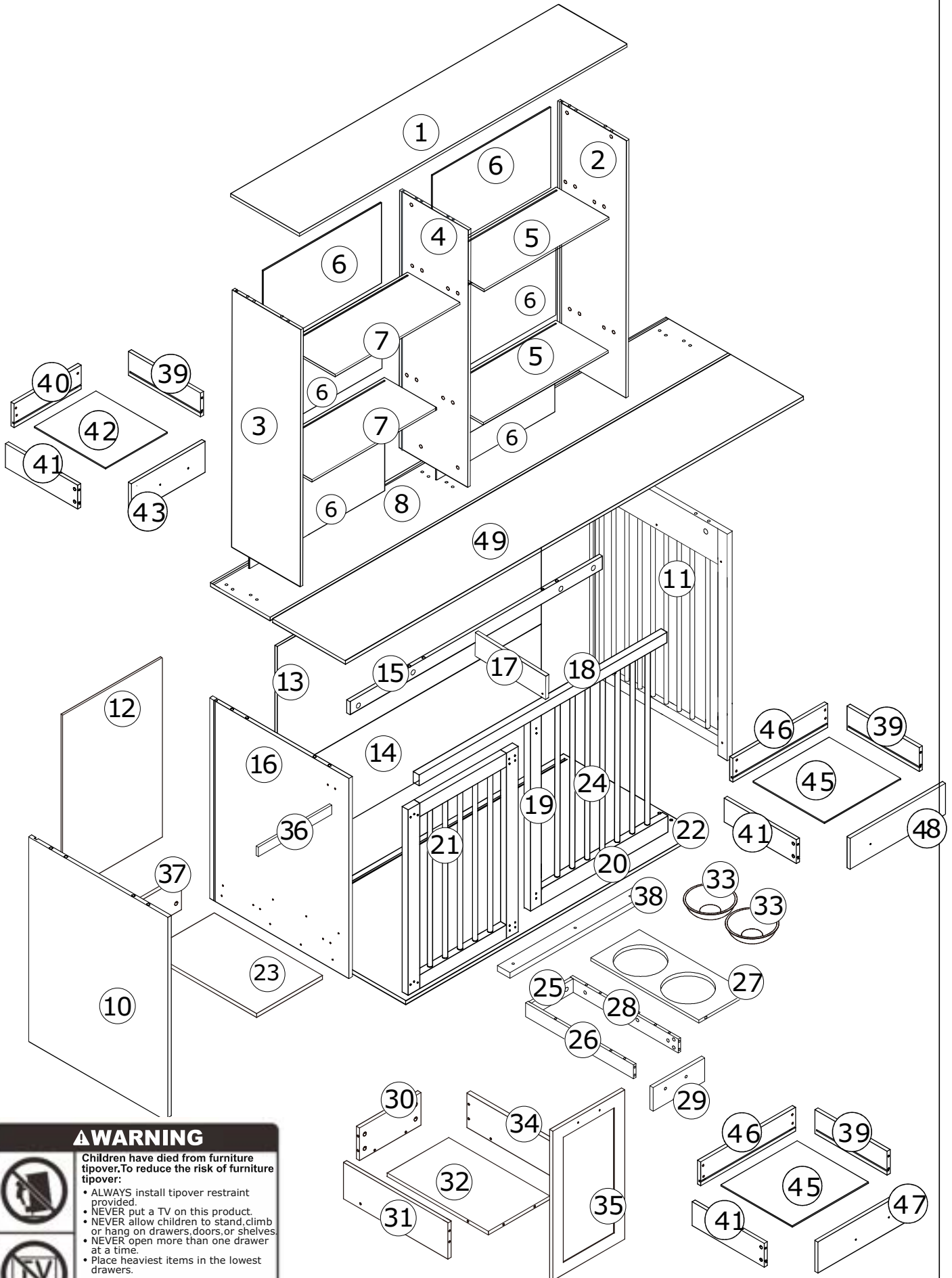
IMPORTANT !

It is important that any product which is assembled using any kind of screw is re-tightened 2 weeks after assembly, and once every 3 months - in order to assure stability through-out the lifespan of the product.

For regular maintenance and cleaning of the product, for the frame, please use a rag dipped in neutral detergent to fully wipe it, and then dry it with a clean rag. For glass materials, wipe with a rag dampened with water glass cleaner, and then dry with a dry rag.

Do not use an electric screwdriver, and do not use too much force when installing, because the board is easy to break.

Parts List / Teileliste



⚠ WARNING

Children have died from furniture tipover. To reduce the risk of furniture tipover:

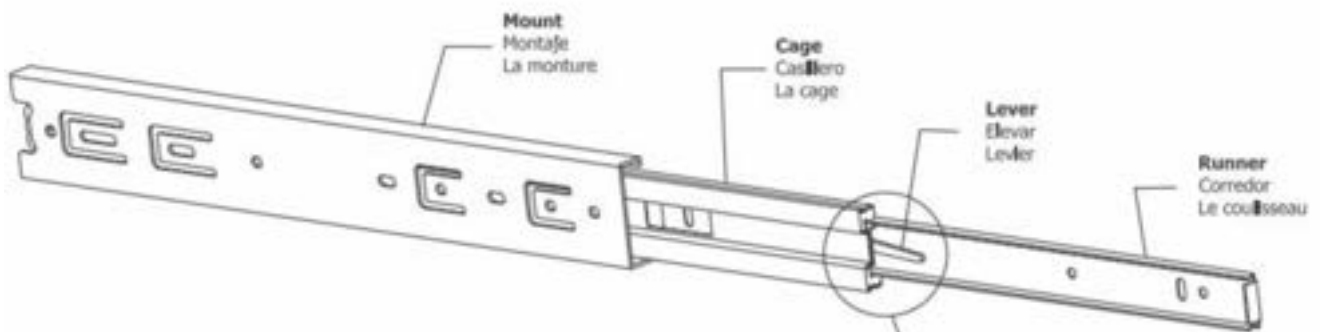
- ALWAYS install tipover restraint provided.
- NEVER put a TV on this product.
- NEVER allow children to stand, climb or hang on drawers, doors, or shelves.
- NEVER open more than one drawer at a time.
- Place heaviest items in the lowest drawers.

This is a permanent label. Do not remove!

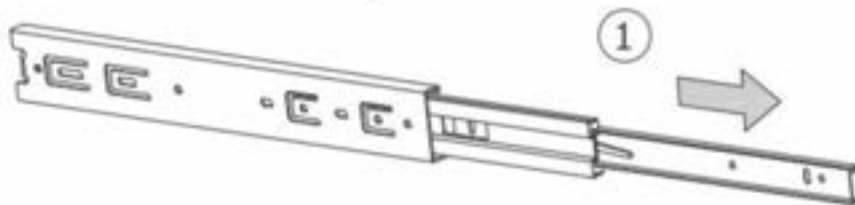
**Slides Must Be Separated Before Assembly.
After Separated, Set Aside Until Needed for Assembly.**

Las diapositivas deben separarse antes del montaje.
Después de la separación, déjelo a un lado hasta que sea necesario.

Les glissières doivent être séparées avant l'assemblage.
Après la séparation, mettez de côté jusqu'au moment de l'assemblage.



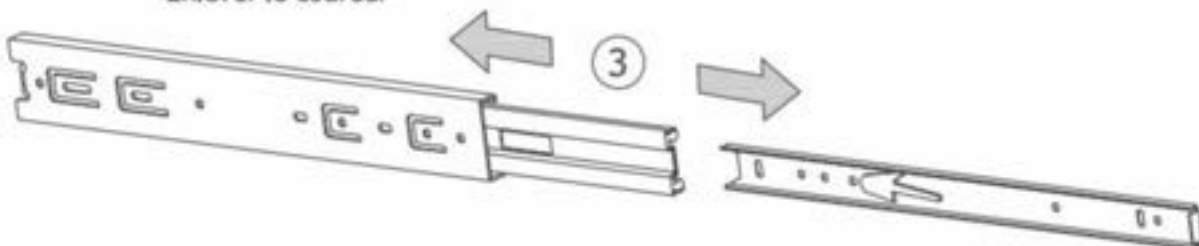
STEP 1: Extend Slide
Extender la diapositiva
Extendre la diapositive

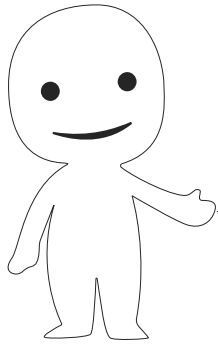


STEP 2: Push Lever UP
Empujar hacia arriba
Levier le levier

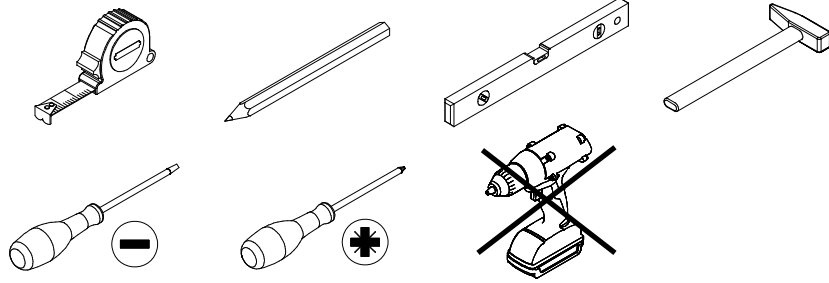


STEP 3: Remove Runner
Quitar el corredor
Enlever le coureur



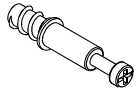


Please prepare the following tools



When installing, please carefully confirm whether each screw corresponds to the manual, accessories with similar shapes can be distinguished by size

A x 110+ 5



∅ 6 x 35 mm

B x 12+ 1



∅ 15 x 11 mm

C x 12+ 3



∅ 8 x 30 mm

D x 3



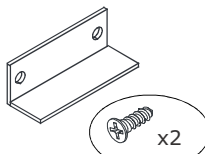
L = 350mm

E x 48+ 4



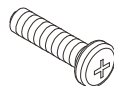
∅ 3 x 12 mm

F x 1



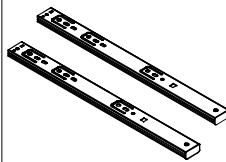
∅ 3x12 mm

G x 1



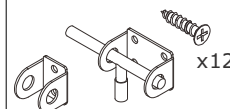
∅ 6x25 mm

H x 1



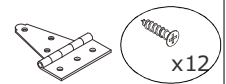
L = 400 mm

J x 2



∅ 3.5 x 14 mm

K x 2



∅ 3.5 x 14 mm

L x 32+ 1

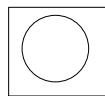


∅ 3 x 12 mm

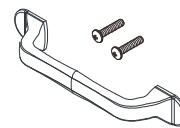
M x 6



N x 100+ 5



P.x 5



∅ 4 x 18mm

Q x 62+ 5



∅ 6 x 30mm

R x 12+ 1



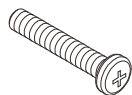
∅ 4 X 30 mm

S x 98+ 5



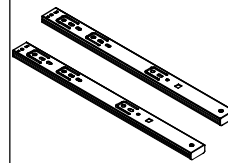
∅ 15 x 9.5mm

T x 6



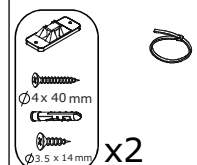
∅ 6x30 mm

U x 1



L = 500 mm

X x 1

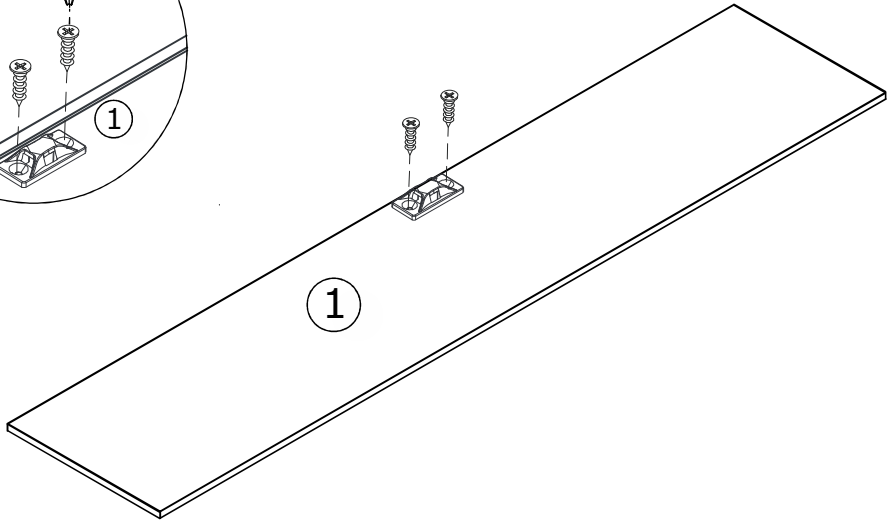
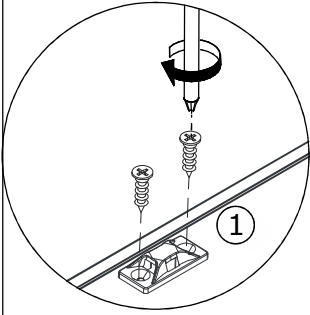
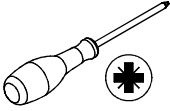


∅ 4 x 40 mm

∅ 3.5 x 14 mm x 2

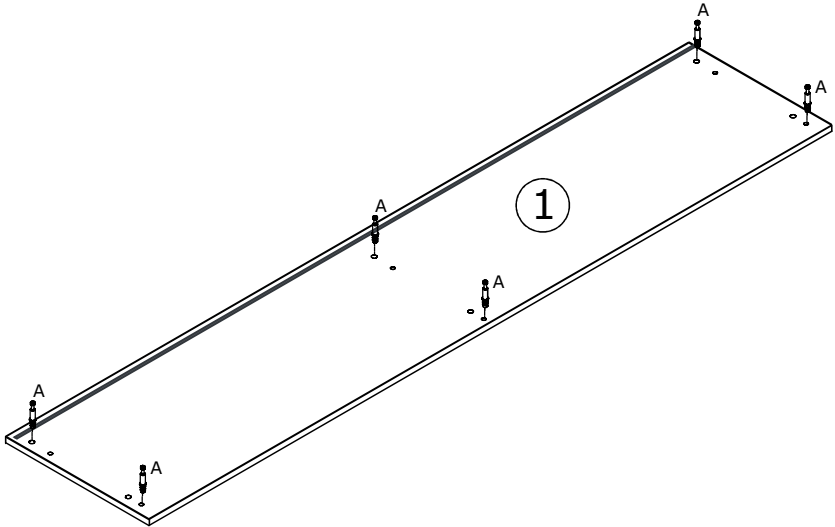
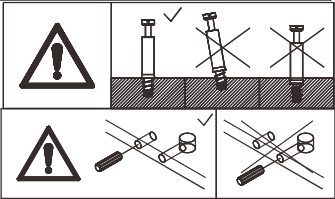
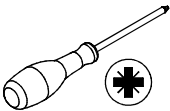
1

X x 1
Ø 3.5 x 14 mm

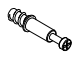


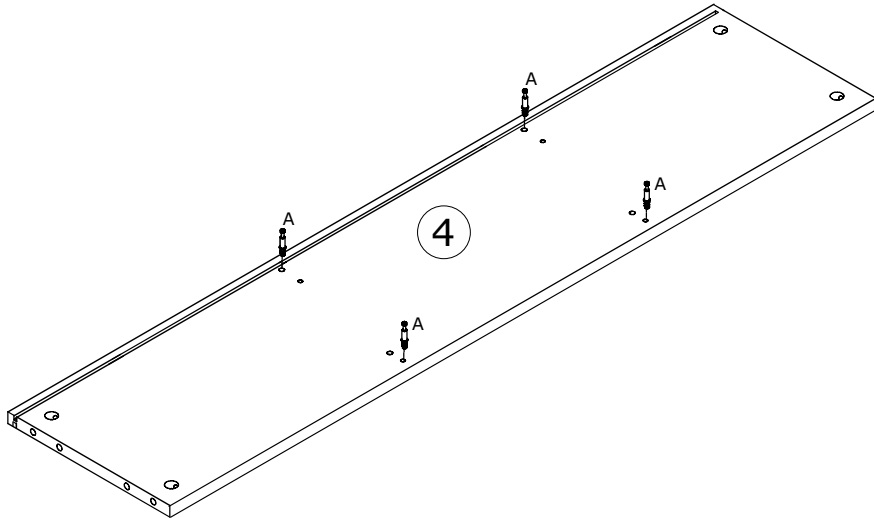
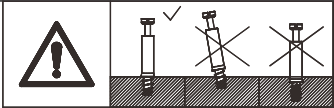
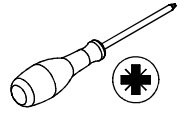
2

Ax6
Ø 6 x 3 5 mm




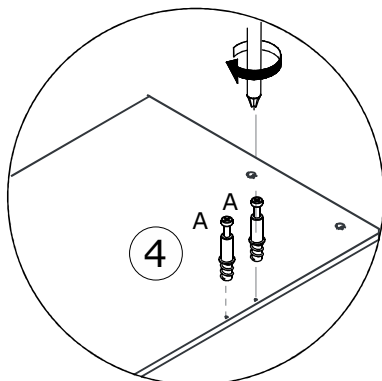
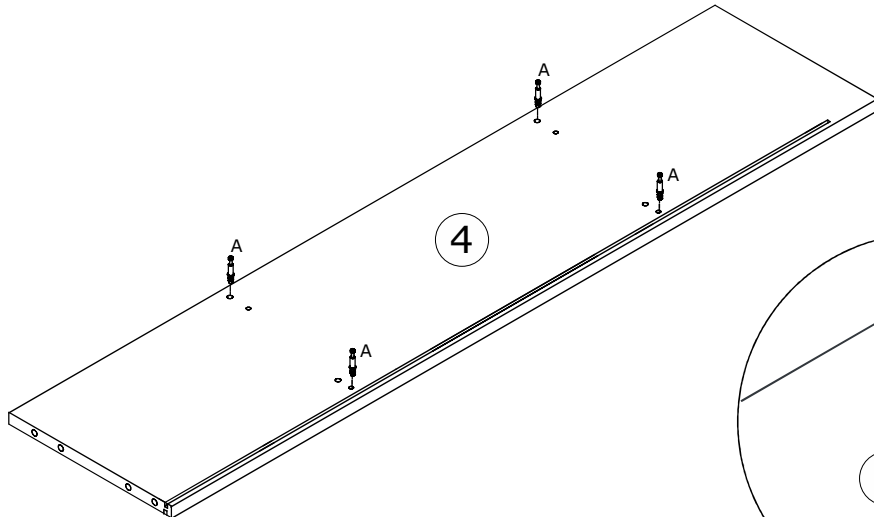
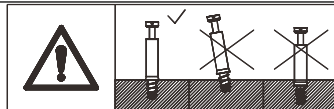
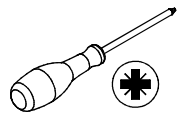
3

Ax4

Ø6 x 3 5 mm




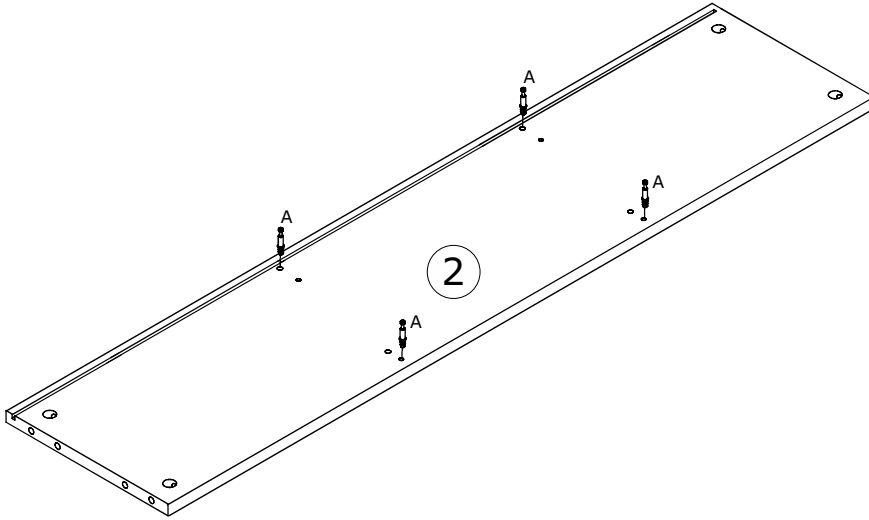
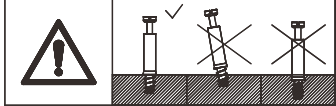
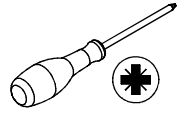
4

Ax4

Ø6 x 3 5 mm

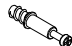


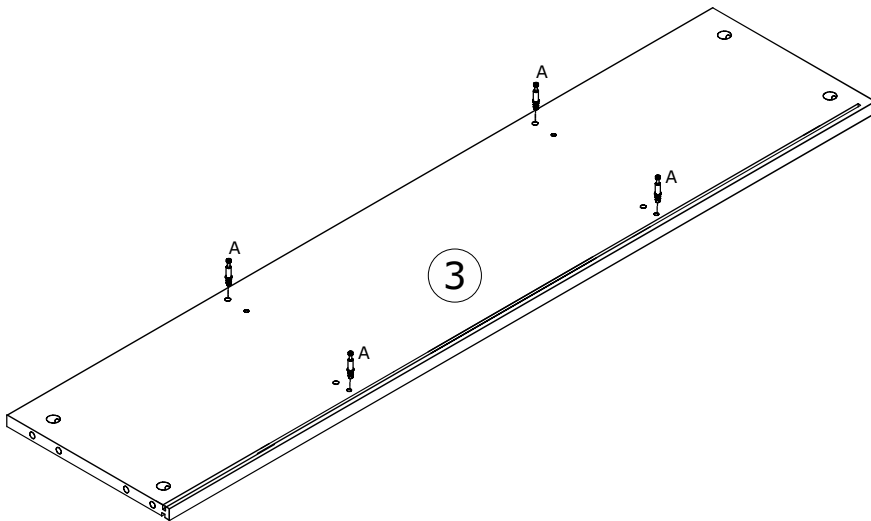
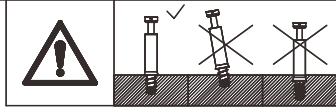
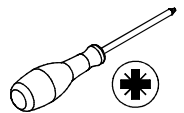
5

Ax4

Ø6 x 3 5 mm


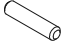


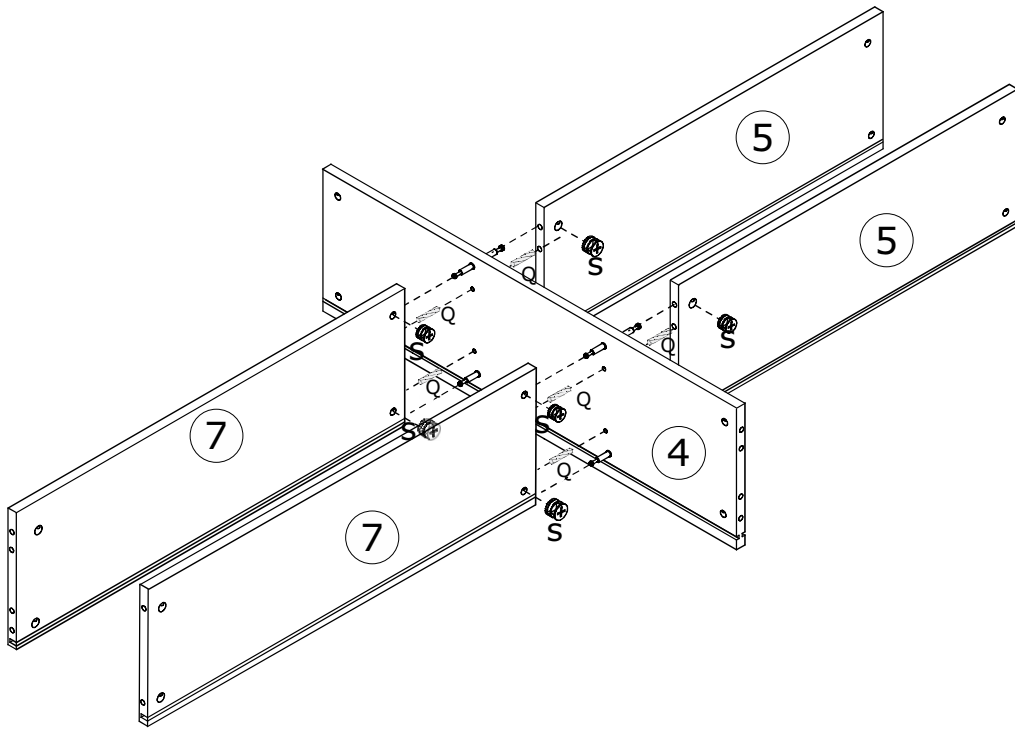
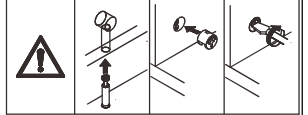
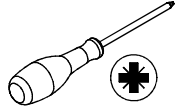
6

Ax4

Ø6 x 3 5 mm

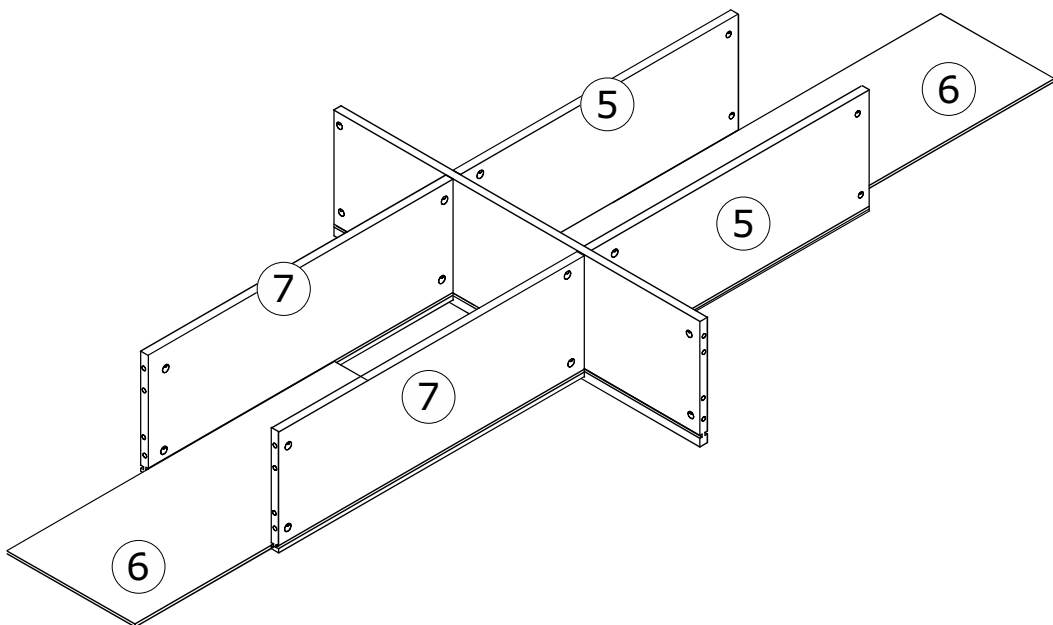
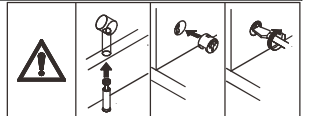
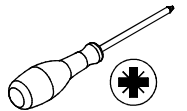


7


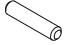
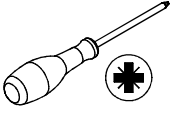
Sx8  Ø15x9.5mm	Qx8  Ø6x30mm
---	---

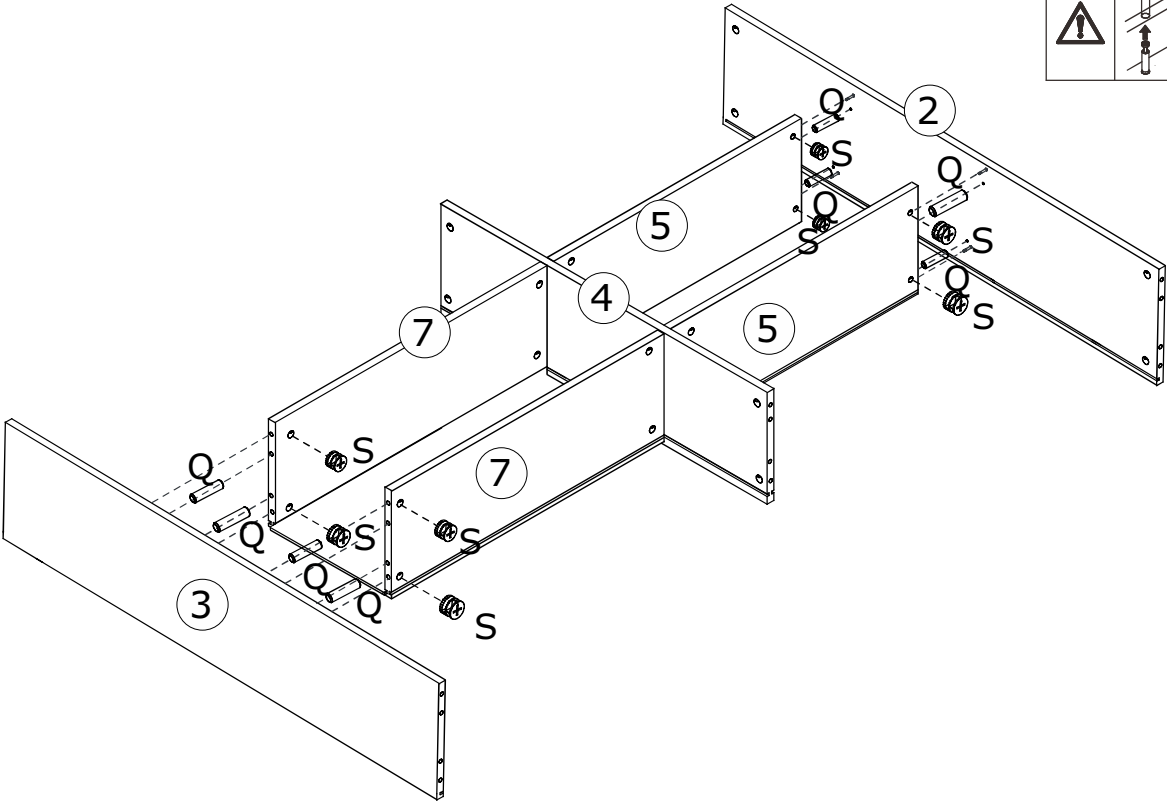
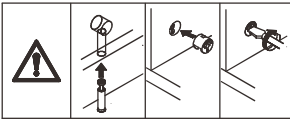


8

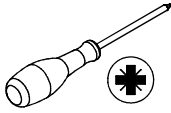


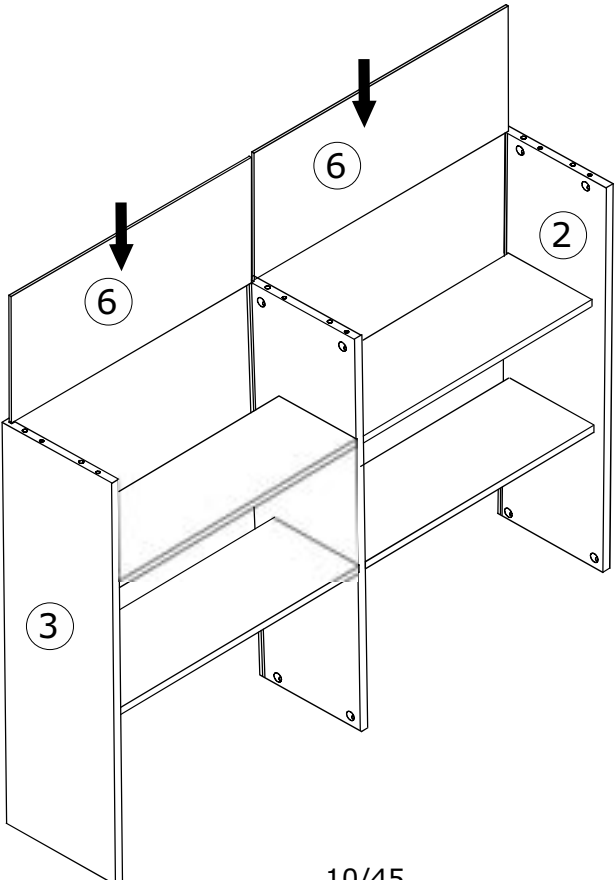
9

Sx8  Ø15x9.5mm	Qx8  Ø6x30mm	
---	---	---


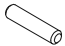


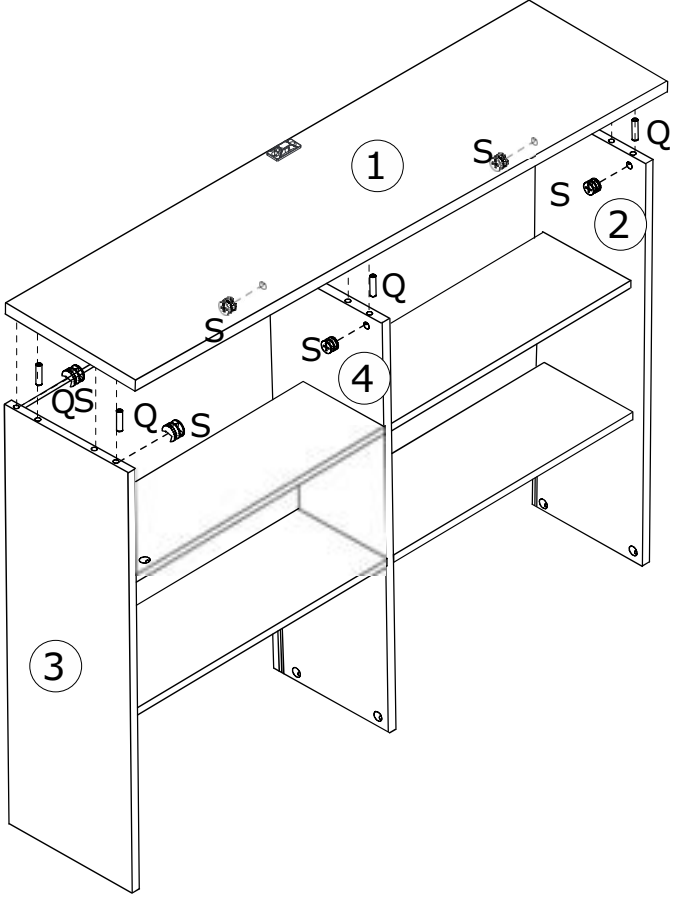
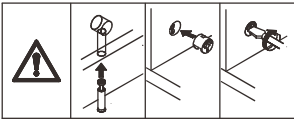
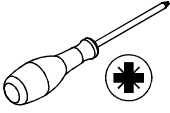
10



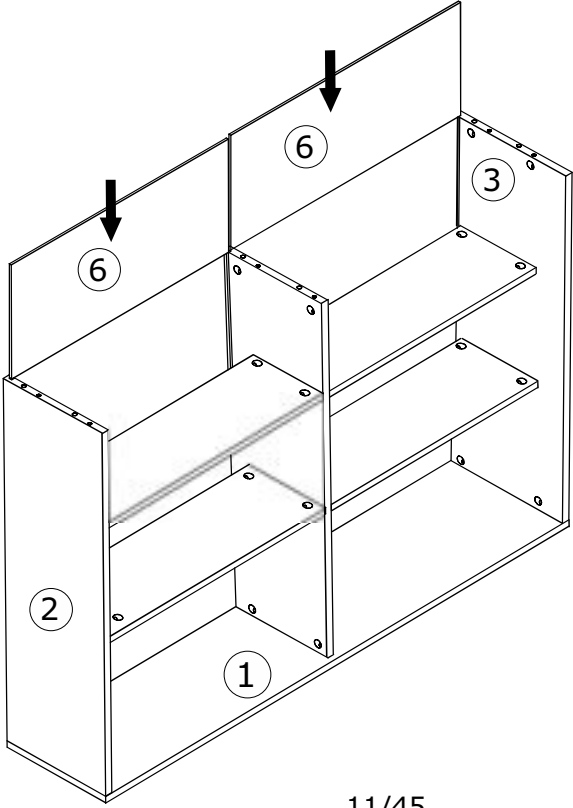
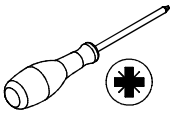


11


Sx6  Ø15x9.5mm	Qx6  Ø6x30mm
---	---

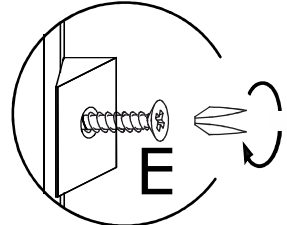
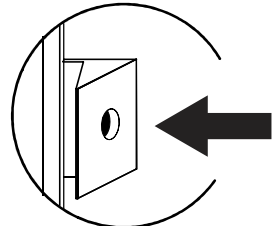
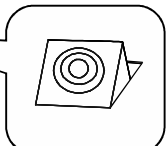
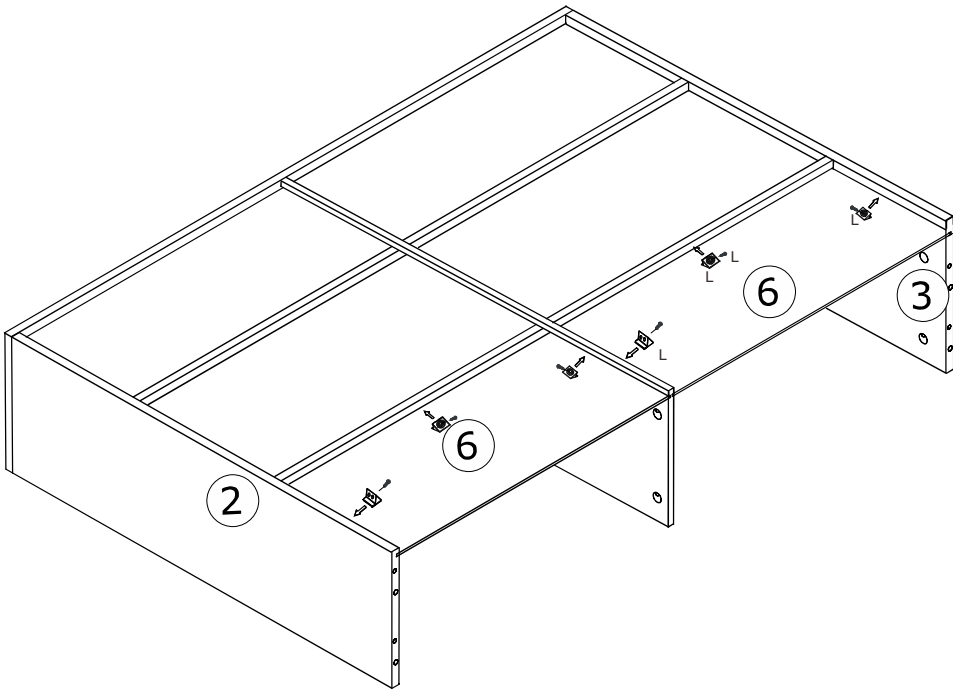
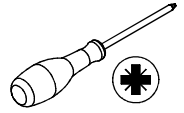


12



13


L x 6

Ø3 x 12 mm




14

Ax 6

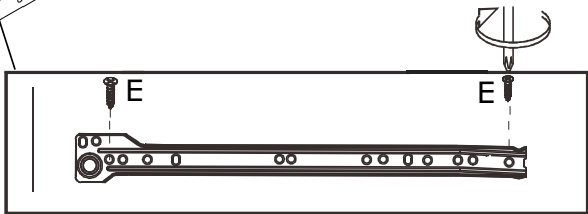
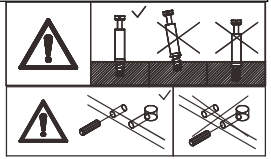
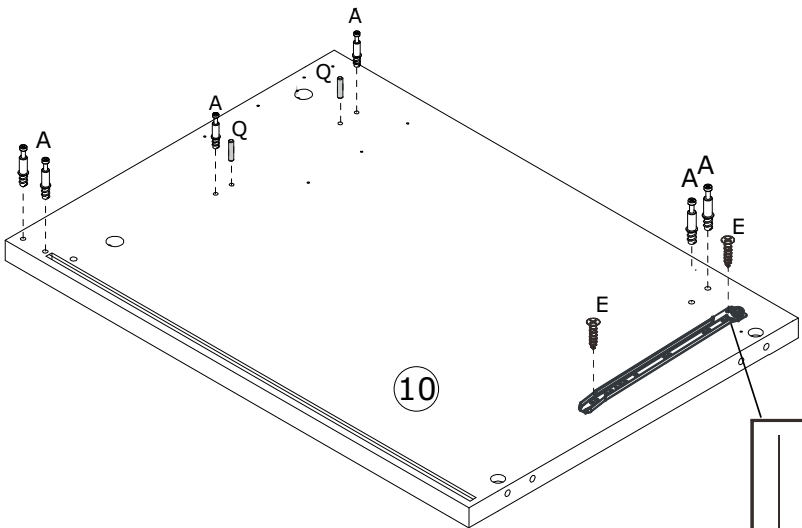
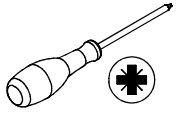
Ø6 x 3.5 mm

Qx2

Ø6 x 30mm

Dx1

L= 350mm

E x 2

Ø3x12mm



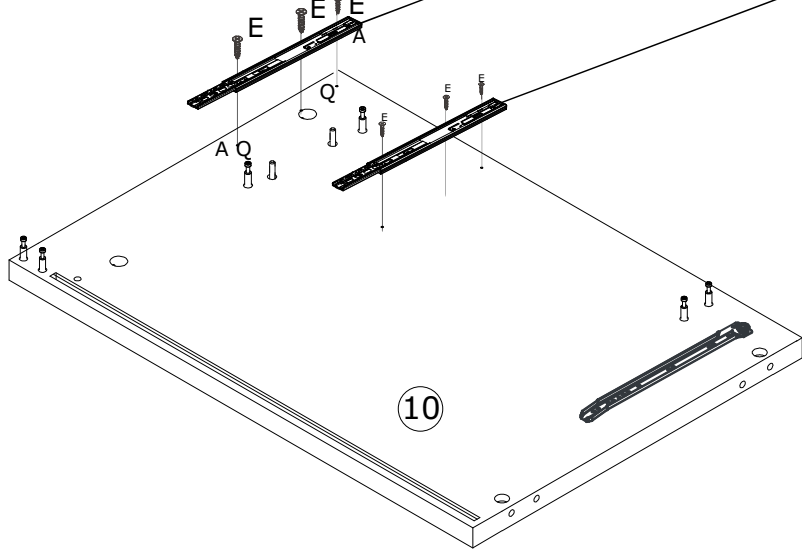
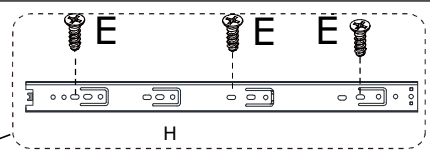
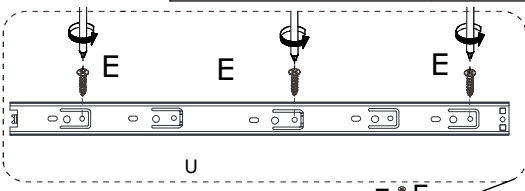
D-CL

15

H x 1
L=400mm

U x 1
L=500mm

E x 6
Ø3 X 12mm



16

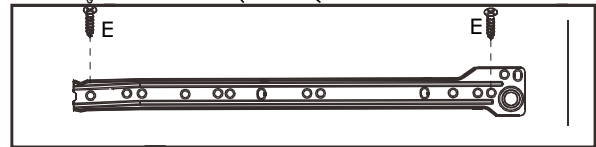
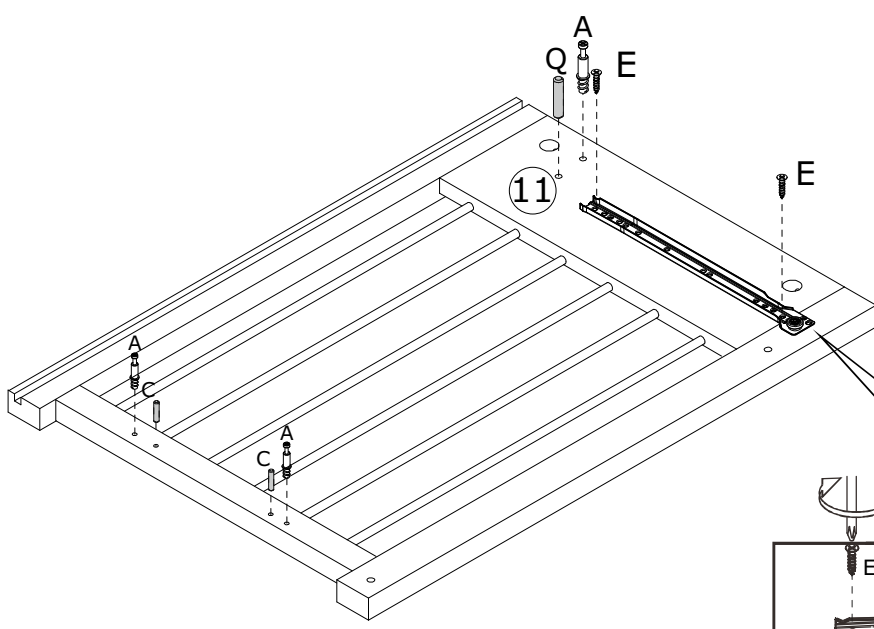
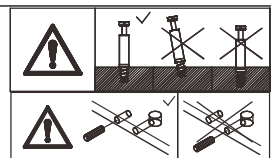
A x 3
Ø 6 x 35 mm

C x 2
Ø 8 x 30mm

E x 2
Ø 3 X 12mm






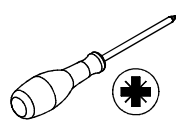
Q x 1
Ø 6 x 30mm

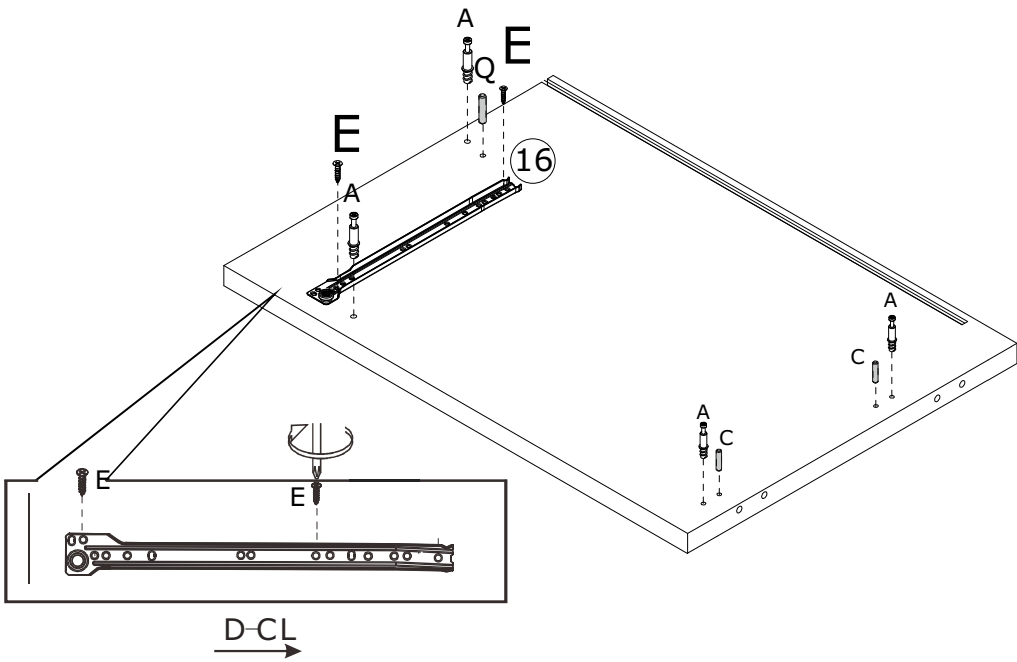
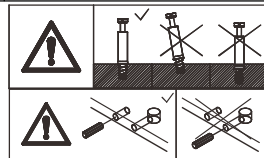
D x 1
L= 350mm



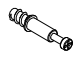
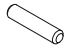


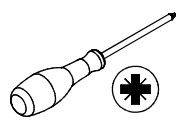
D-CR
←

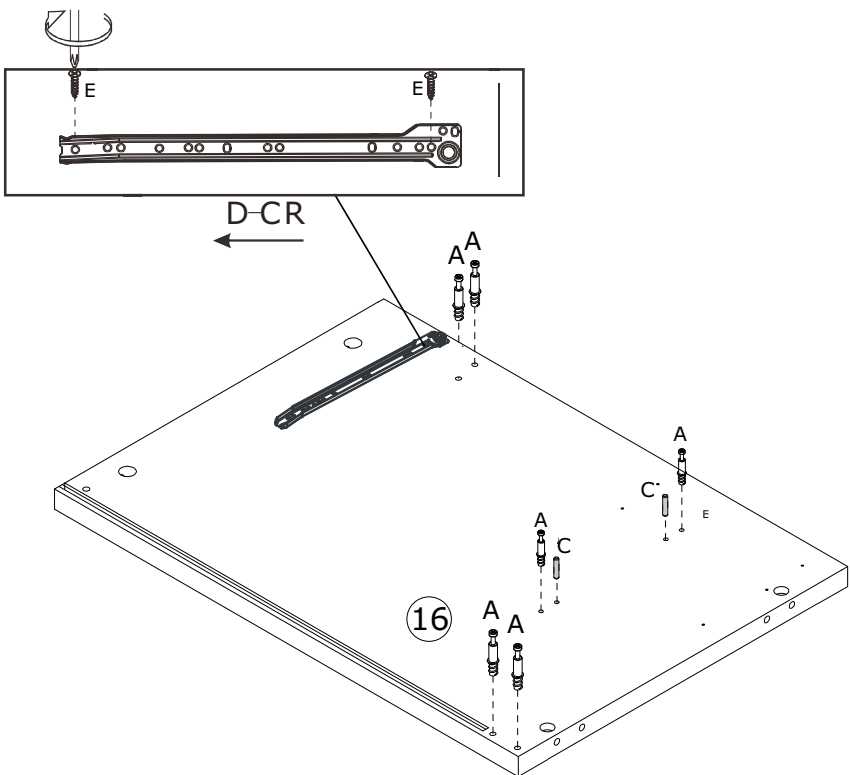
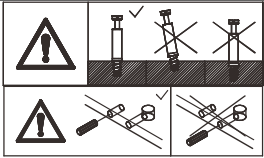
17

<p>Ax4</p>  <p>∅ 6 x 3 5 mm</p>	<p>Cx 2</p>  <p>∅ 8x30mm</p>	<p>Qx 1</p>  <p>∅ 6x30mm</p>	<p>E x 2</p>  <p>∅ 3X12mm</p>	<p>Dx1</p>  <p>L= 350mm</p>	
--	---	---	--	--	---





18


<p>Ax6</p>  <p>∅ 6 x 3 5 mm</p>	<p>Qx2</p>  <p>∅ 6x30mm</p>	<p>E x 2</p>  <p>∅ 3X12mm</p>	<p>Dx1</p>  <p>L= 350mm</p>	
--	--	--	---	---

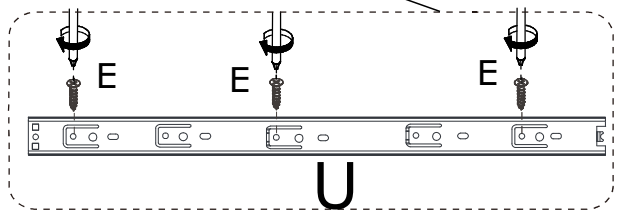
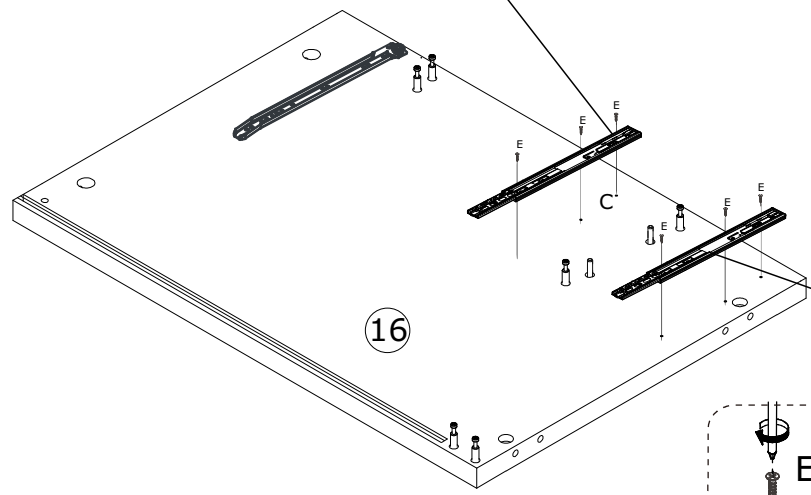
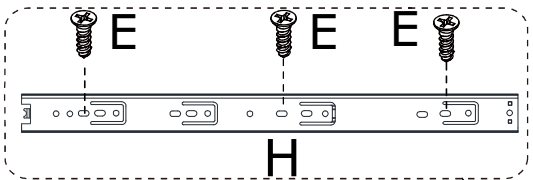


19


E x 6

 $\varnothing 3 \times 12 \text{ mm}$

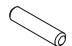
H x 1

 L = 400 mm


U x 1

 L = 500 mm





20

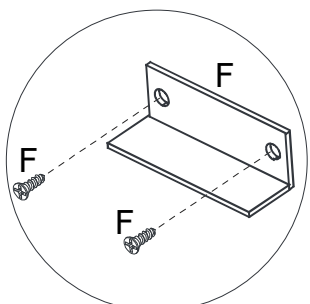
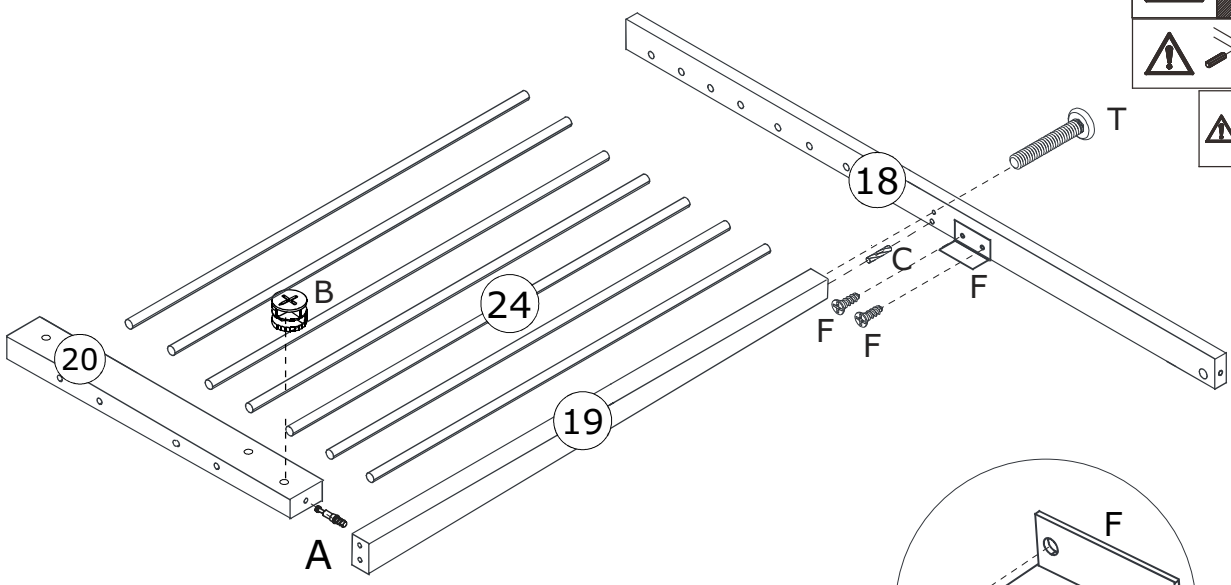
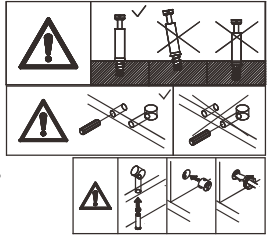
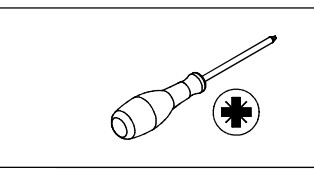
A x 1

 $\varnothing 6 \times 3.5 \text{ mm}$

C x 1

 $\varnothing 8 \times 30 \text{ mm}$



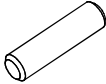
T x 1

 $\varnothing 6 \times 30 \text{ mm}$

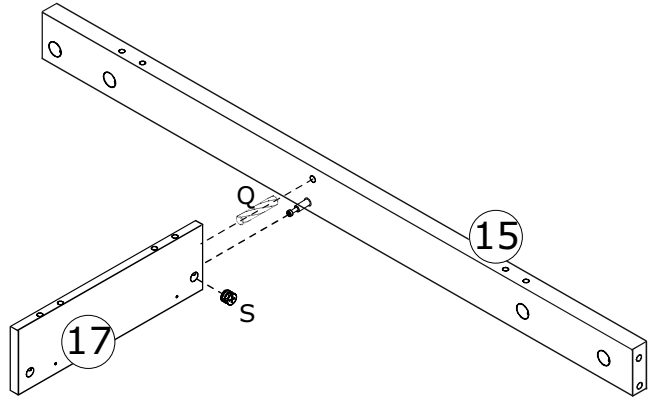
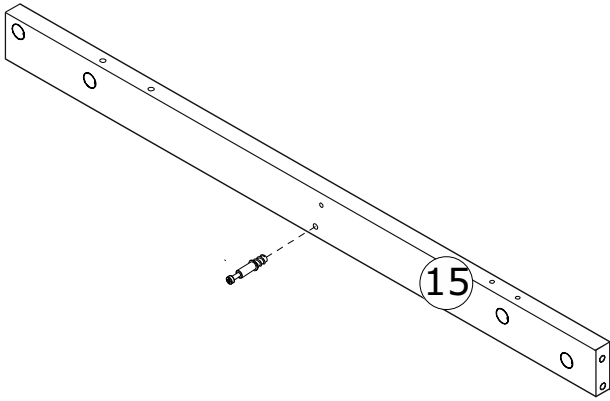
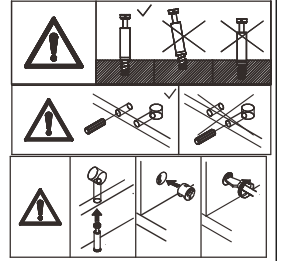
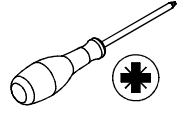
B x 1

 $\varnothing 15 \times 1 \text{ mm}$

F x 1

 $\varnothing 3 \times 12 \text{ mm}$




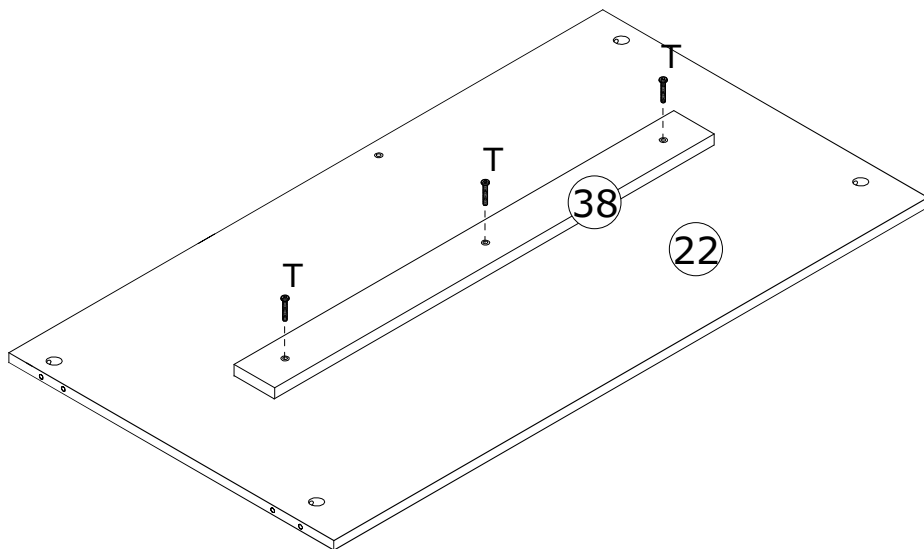
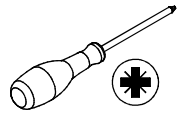
21

Ax1  Ø6 x 3 5 mm	Sx1  Ø15x9.5mm	Q x 1  Ø6 x 30 mm
---	---	--







22

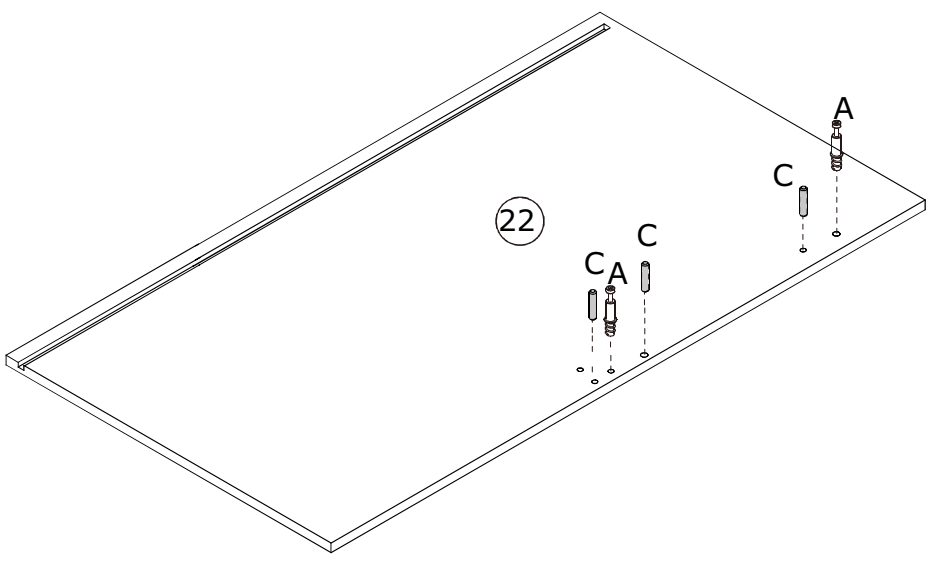
T x 3  Ø 6x30mm
--




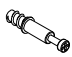

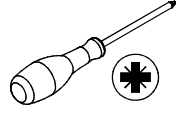
23

<p>Ax2</p>  <p>∅ 6 x 3 5 mm</p>	<p>Cx 3</p>  <p>∅ 8 x 30mm</p>	
--	---	---

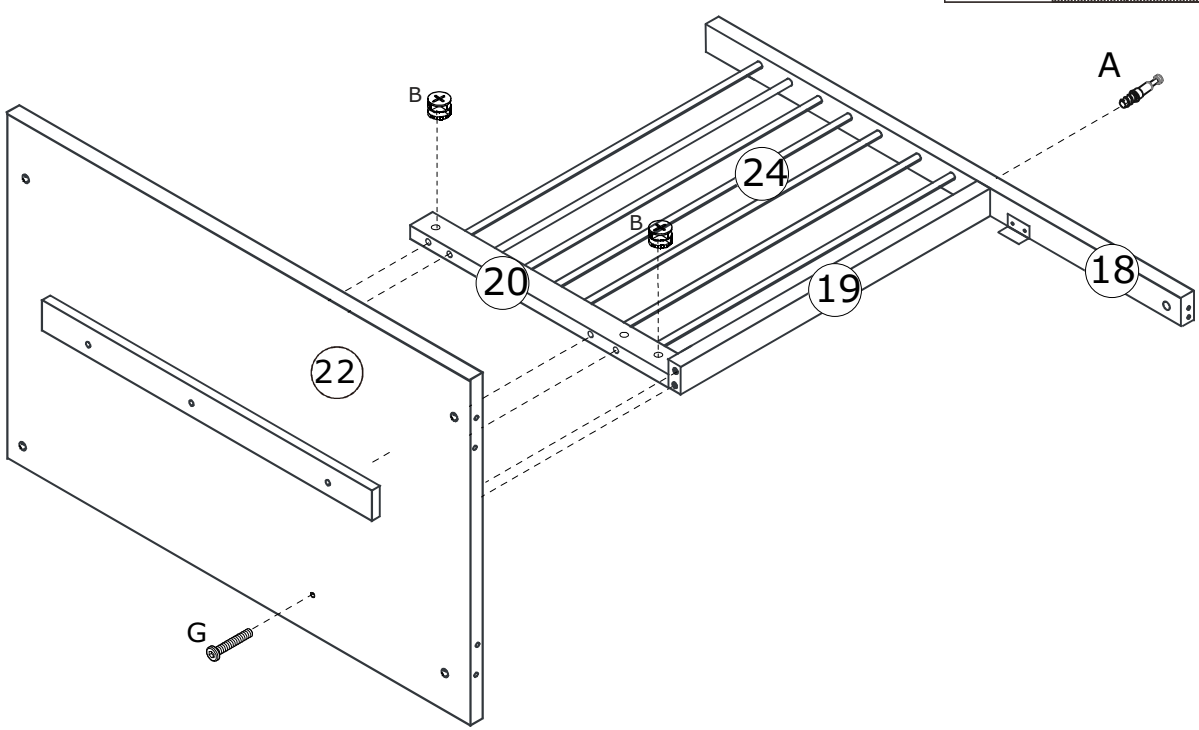
	
	






24

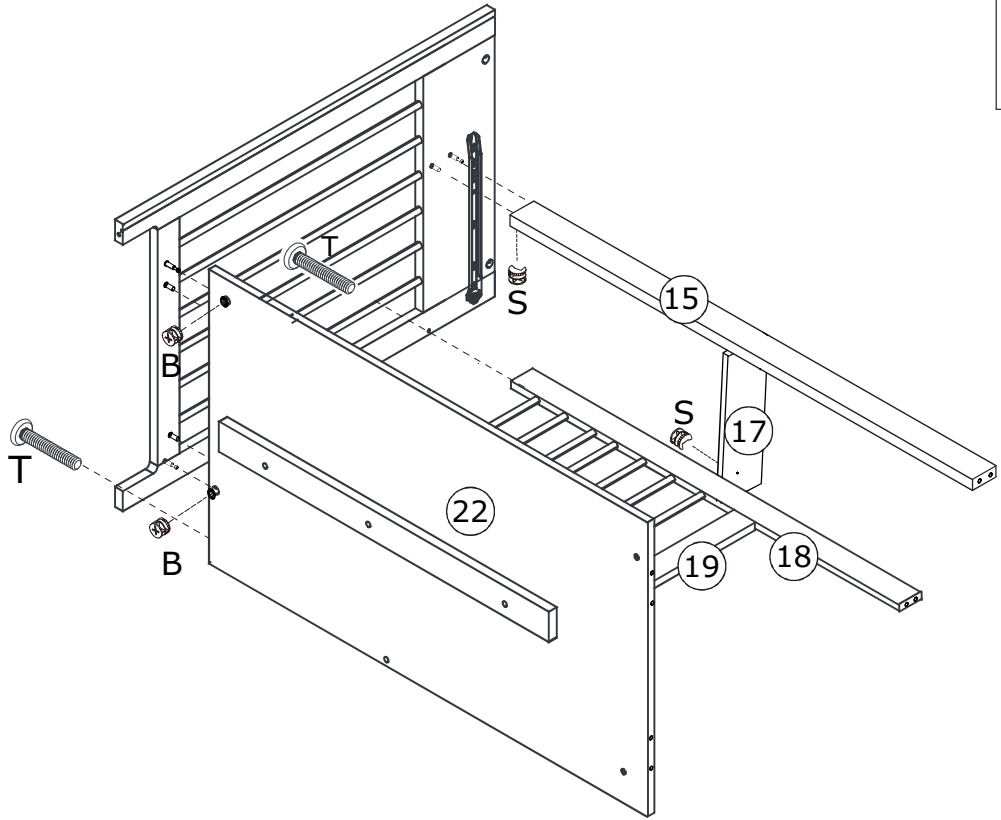
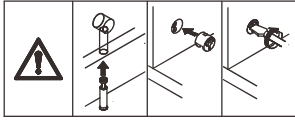
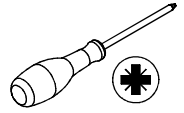
<p>Bx2</p>  <p>∅ 15x11 mm</p>	<p>Ax1</p>  <p>∅ 6 x 3 5 mm</p>	<p>G x 1</p>  <p>∅ 6x25 mm</p>	
--	--	---	---

				
---	---	---	---	---





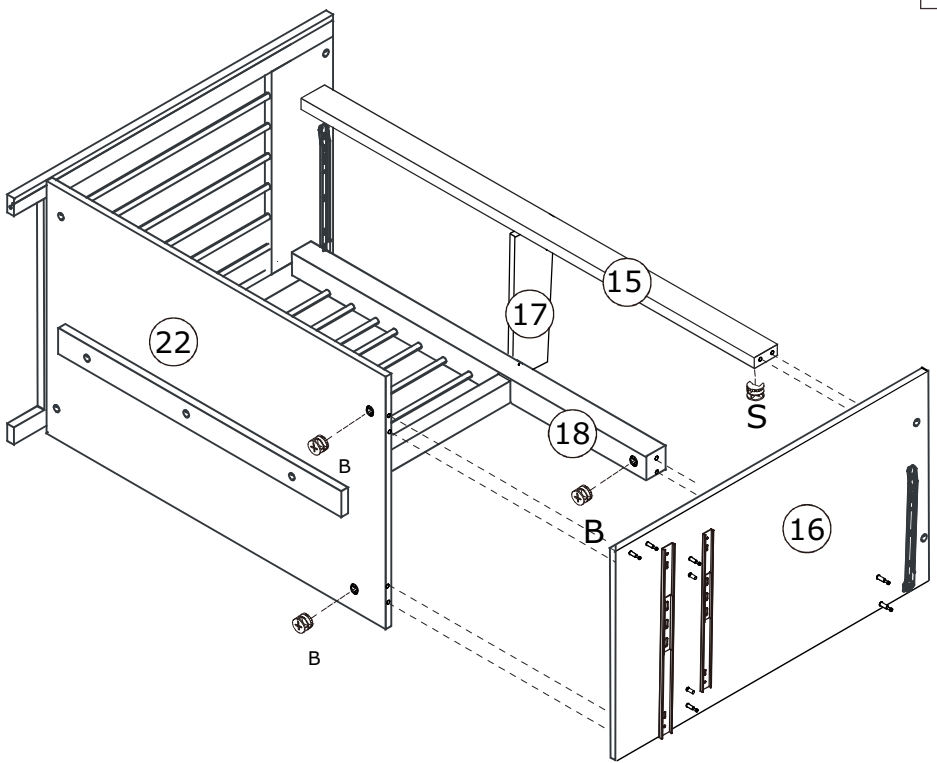
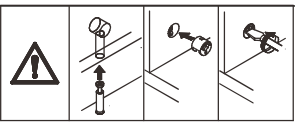
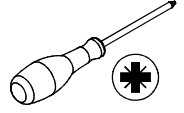
25

Bx2  Ø15x11mm	Sx2  Ø15x9.5mm	T x 2  Ø 6x30 mm
--	---	---



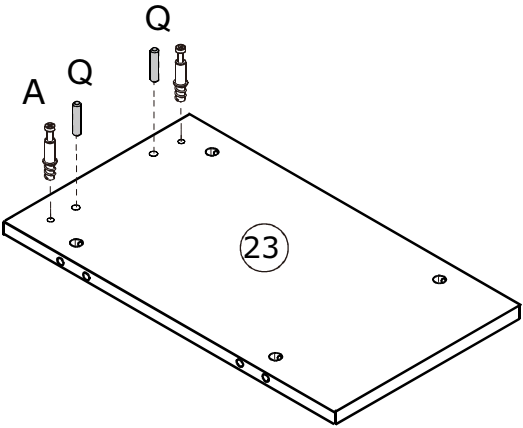
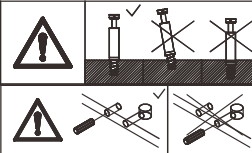
26

Bx3  Ø15x11 mm	Sx1  Ø15x9.5mm
---	---



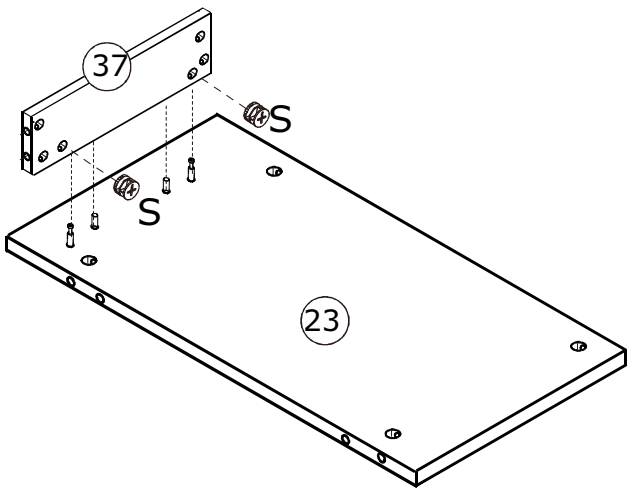
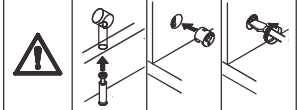
27

Ax2  Ø 6 x 3.5 mm	Qx 2  Ø 6 x 30mm	 
--	---	---



28

Sx2  Ø 1.5 x 9.5mm	 
---	---

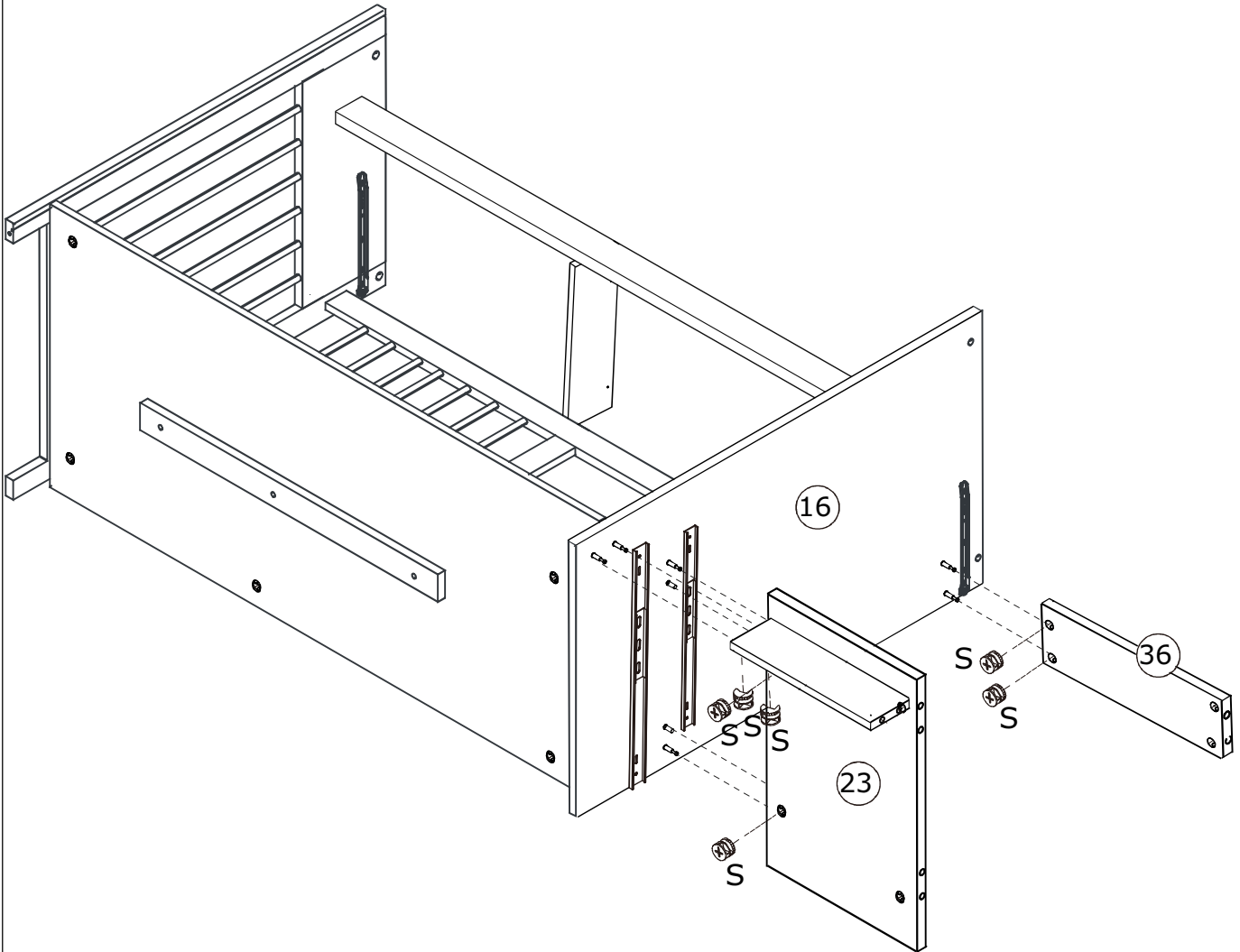
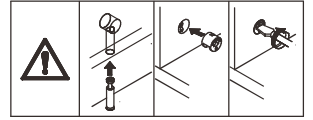
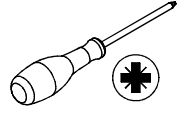


29

Sx6



Ø15x9.5 mm

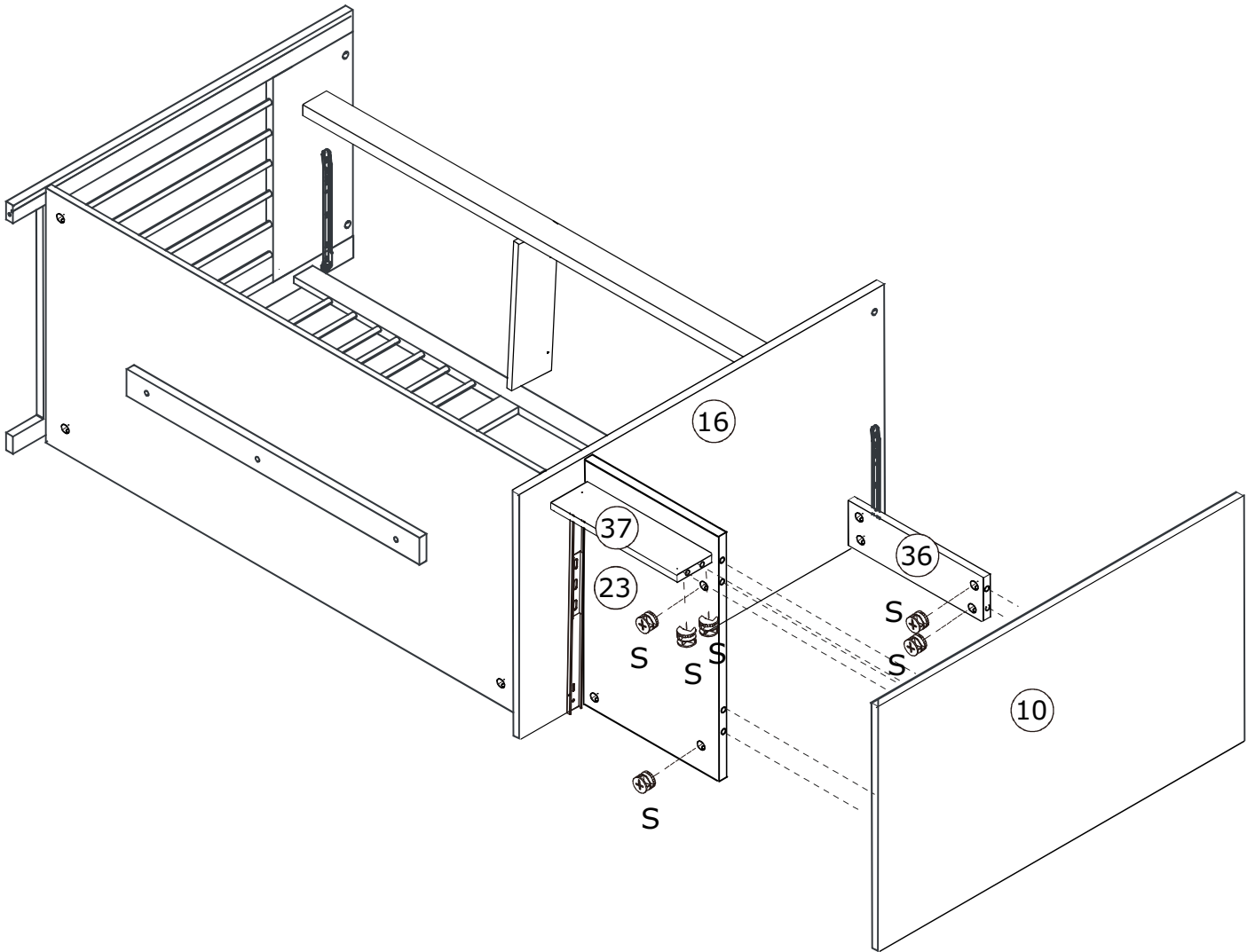
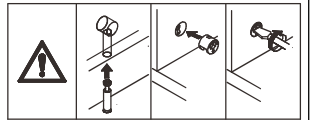
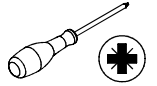


30

Sx6



Ø15x9.5mm

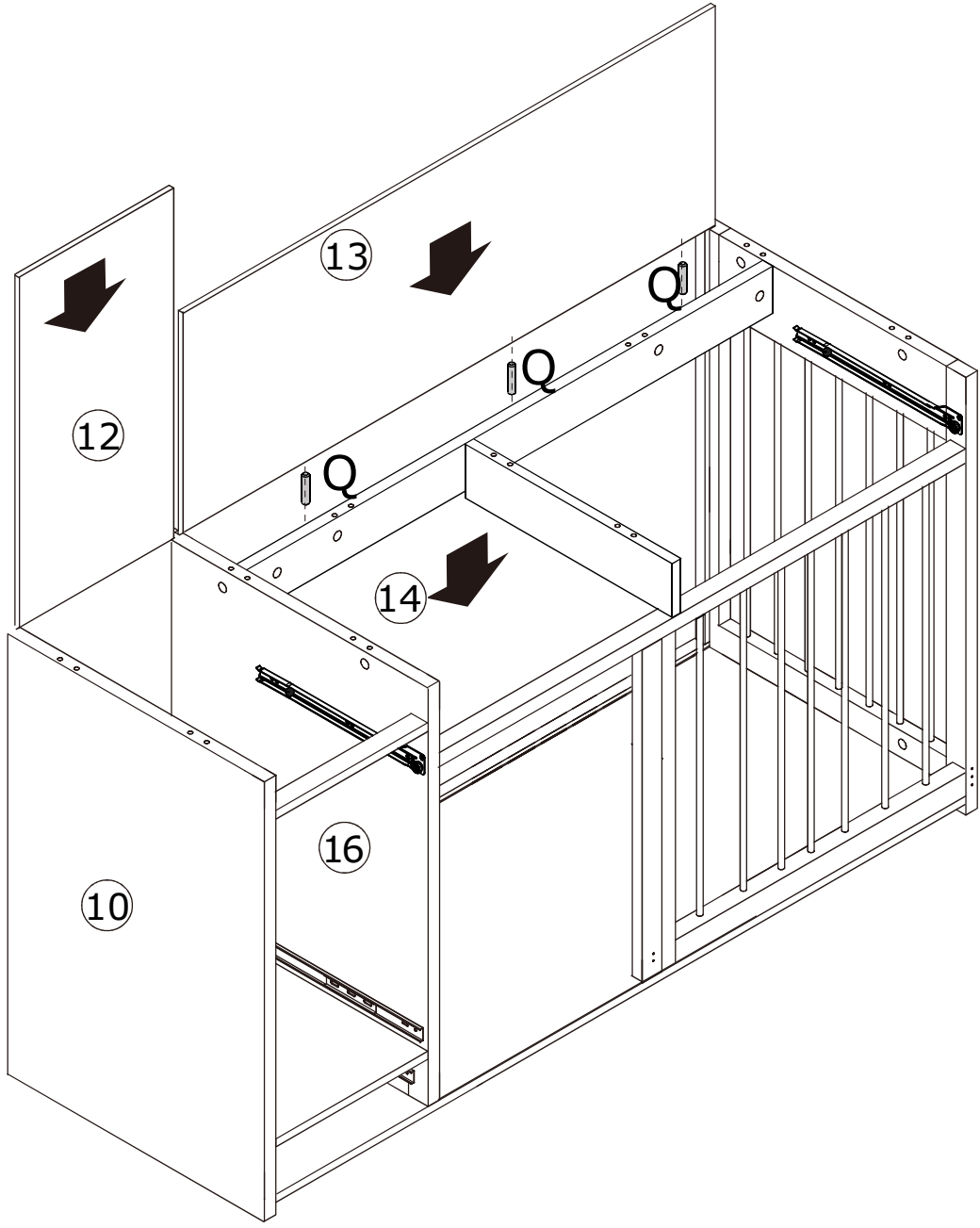
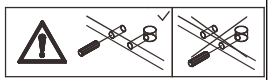
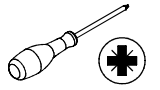


31


Qx3




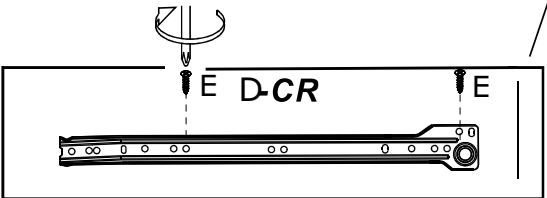
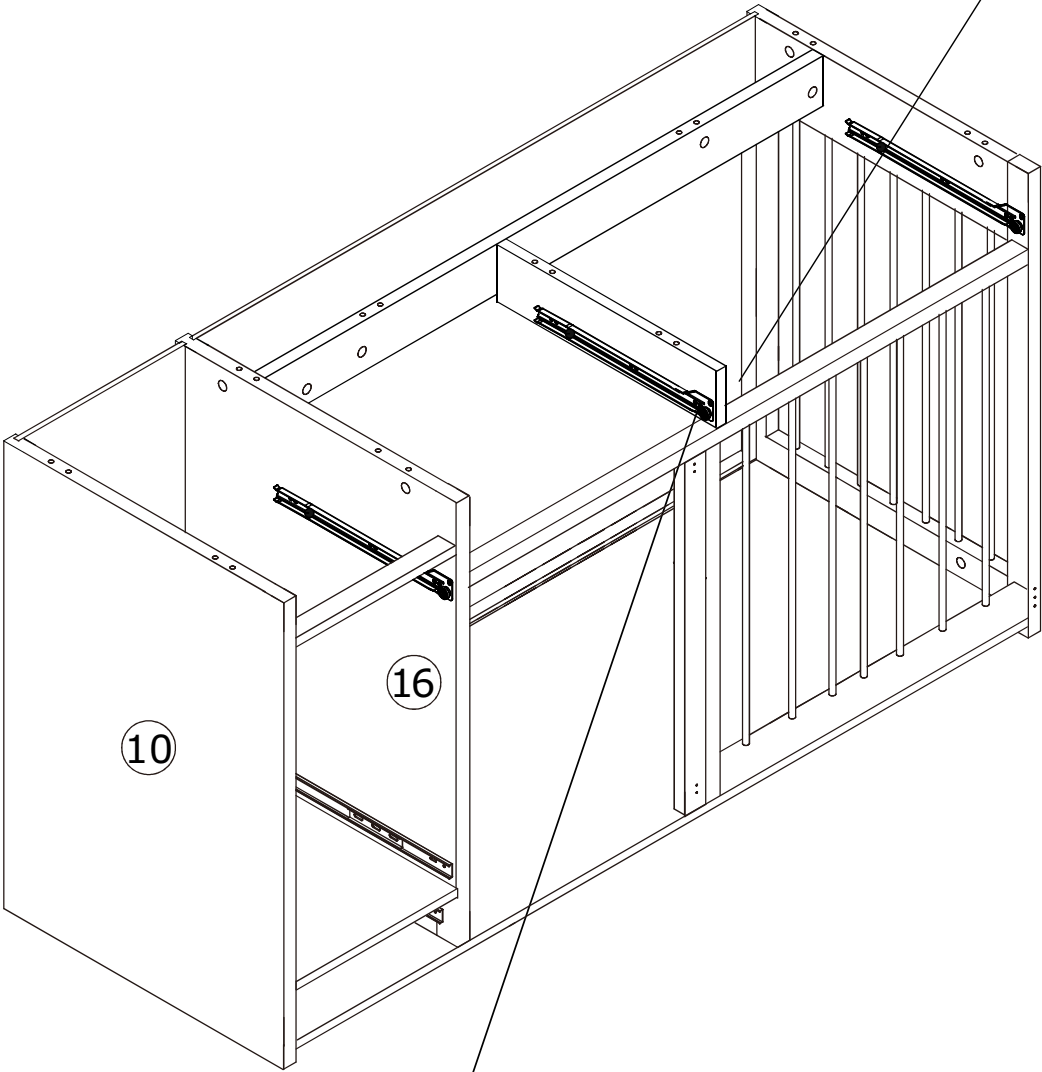
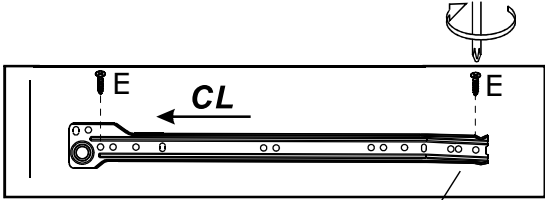
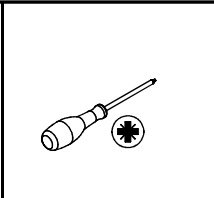
Ø6x30mm



32

Dx1

L= 350mm

Ex4

Ø3x12 mm



33

Qx6

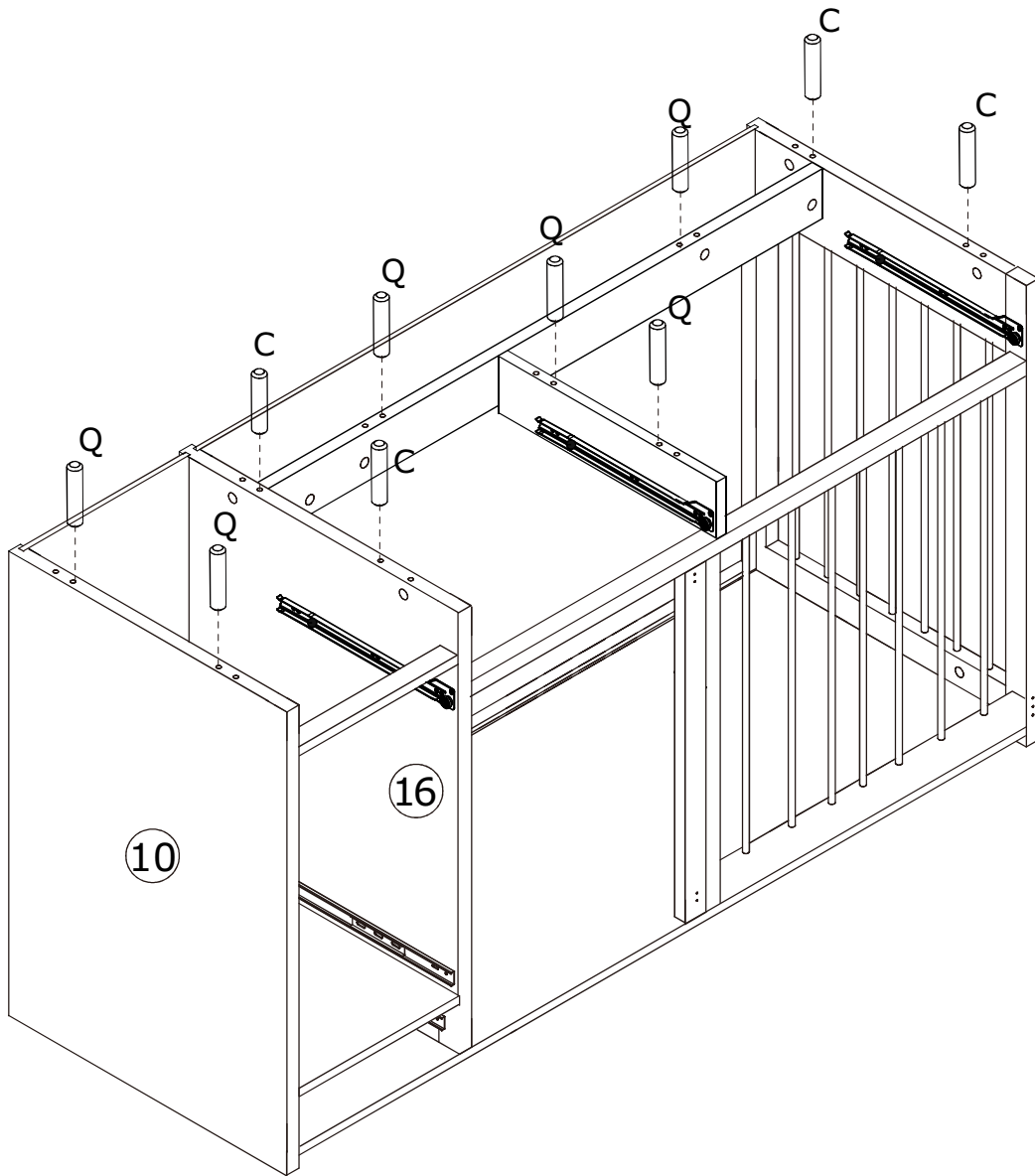
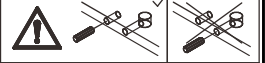
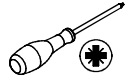


Ø6x30mm

Cx4



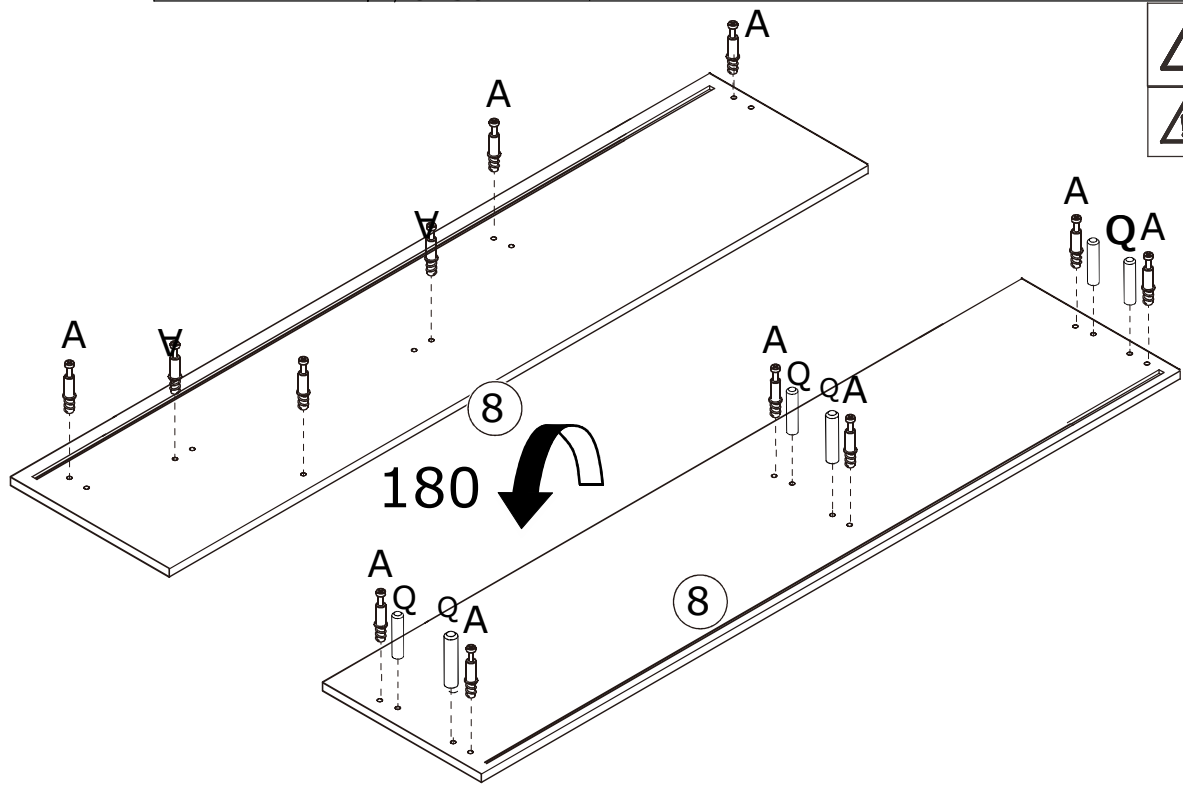
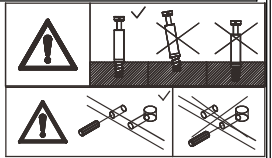
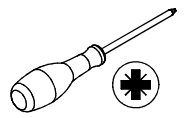
Ø8x30mm



34

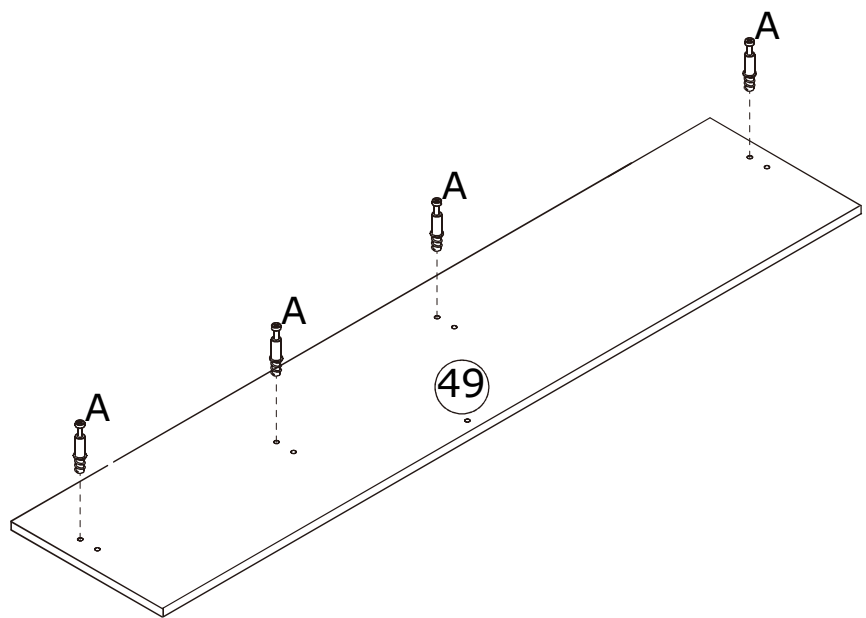
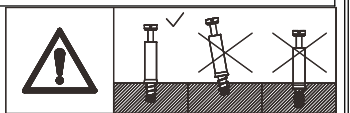
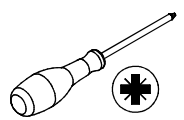
Ax12
Ø6 x 3.5 mm

Qx6
Ø6x30mm



35

Ax4
Ø6 x 3.5 mm



36

Bx4

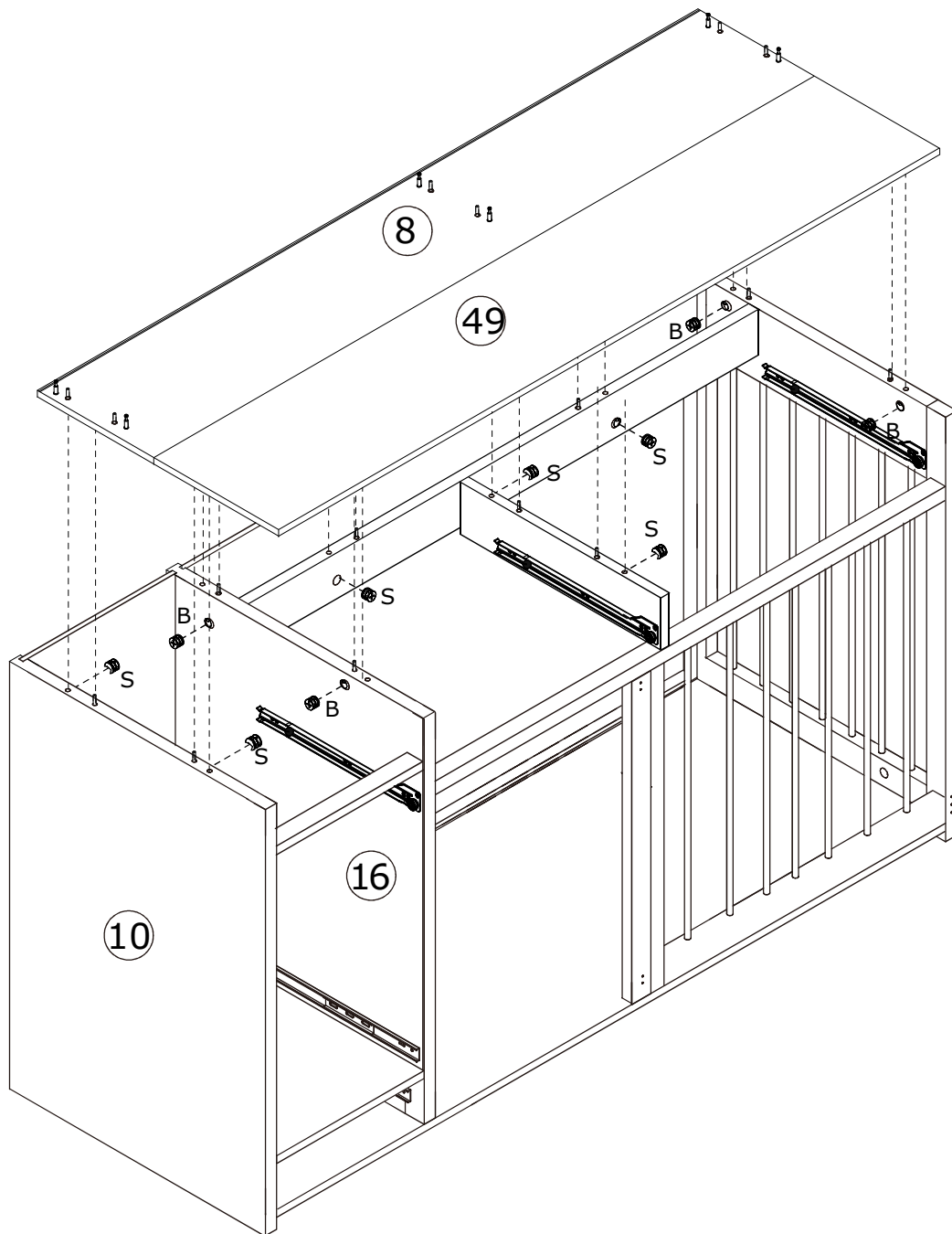
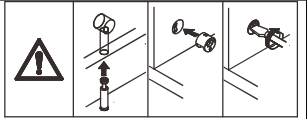
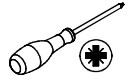


Ø15x11mm

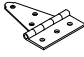

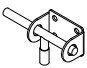

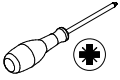
Sx6

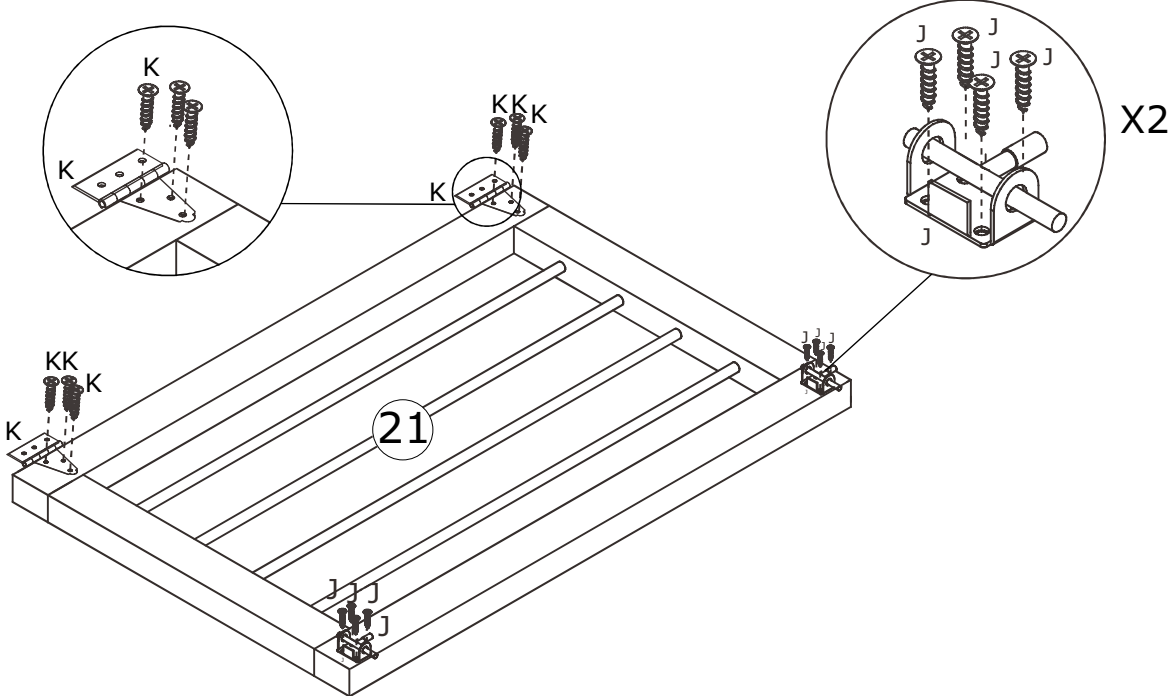


Ø15x9.5 mm


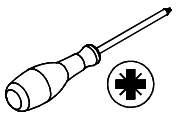


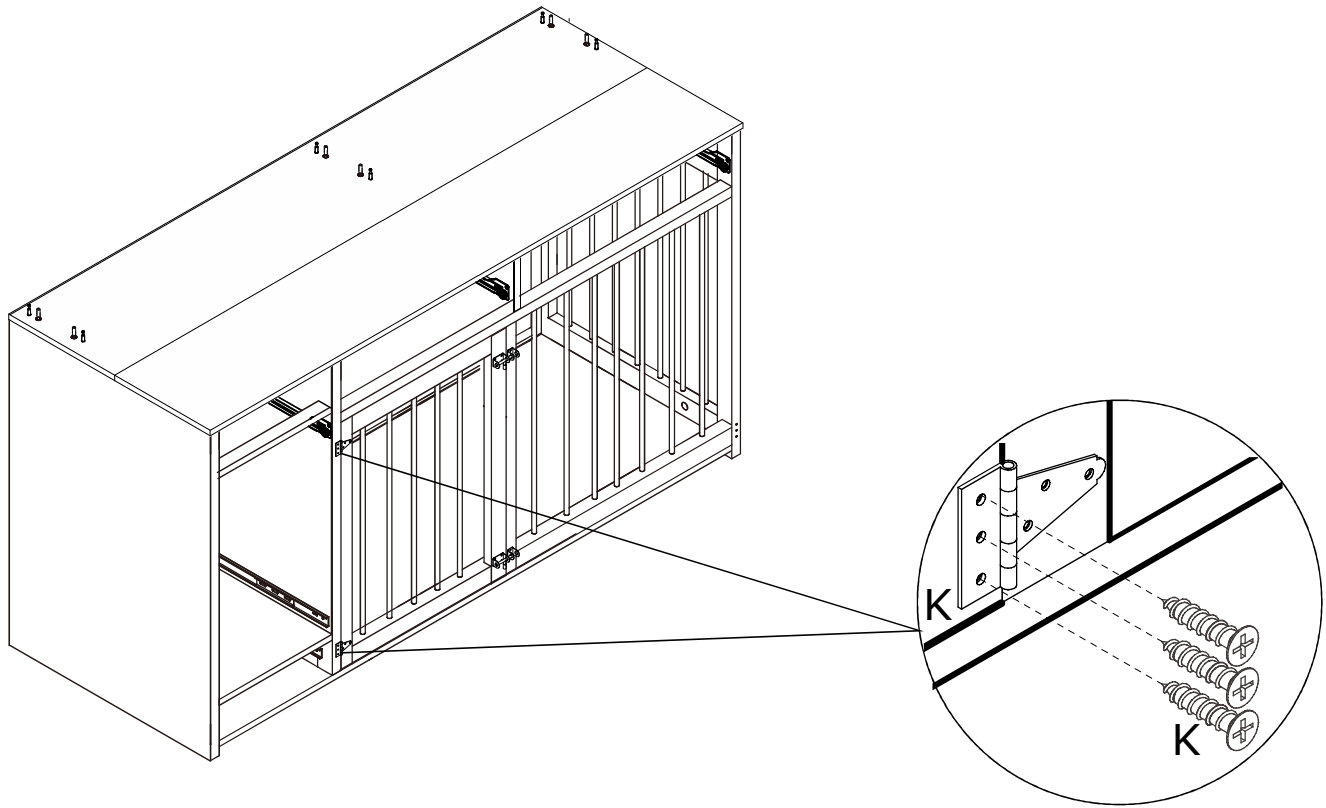
37

Kx2 	Kx6  Ø 3.5x14mm	Jx2 	Jx8  Ø 3.5x14mm		
--	--	--	--	--	---



38

Kx6  Ø 3.5x14mm		
--	--	---



39

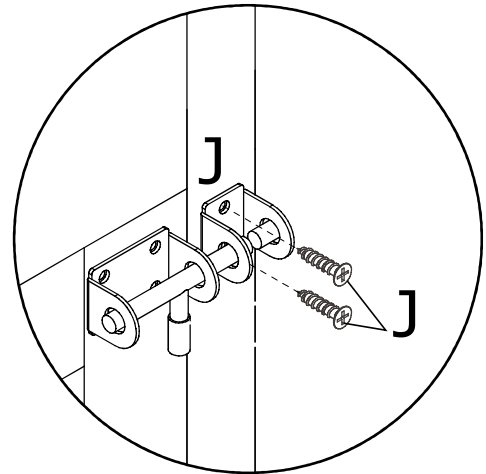
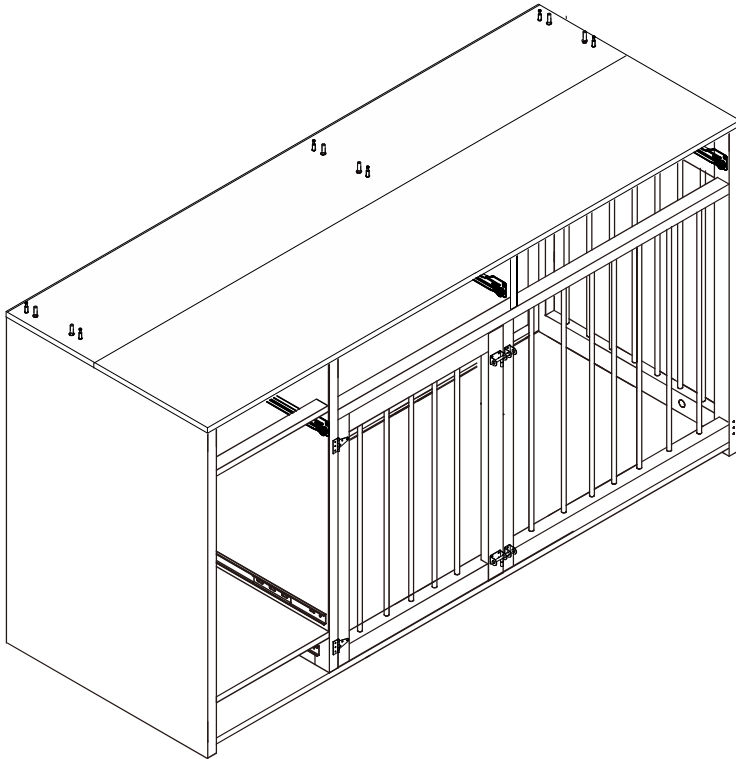
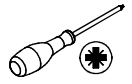
Jx2



Jx4



Ø3.5x14mm

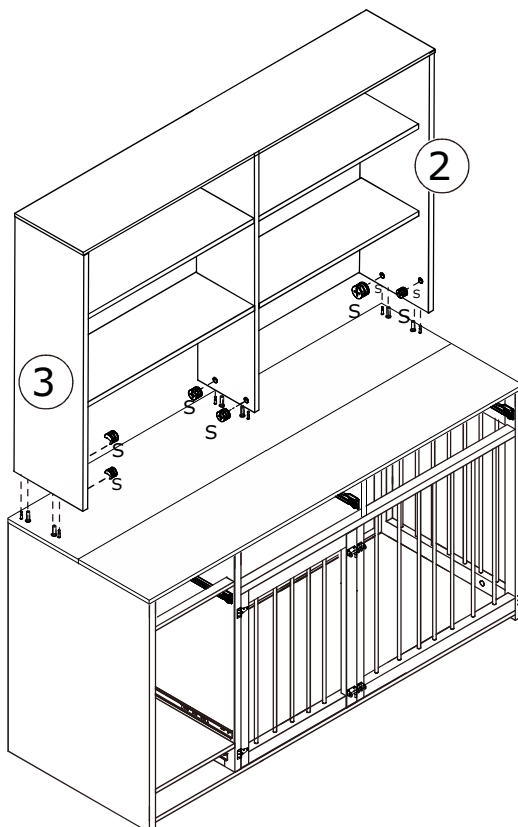
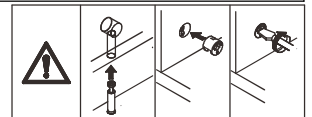
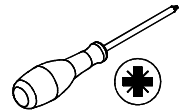


40

Sx6



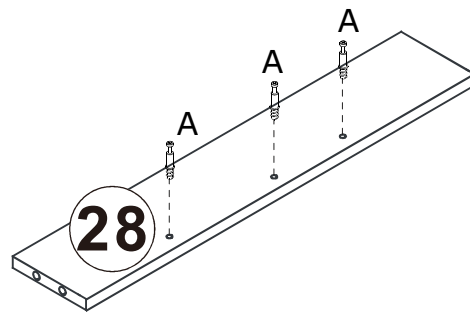
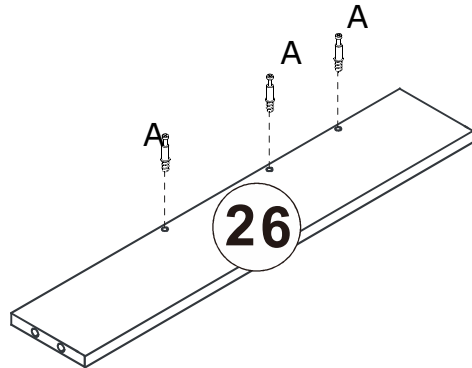
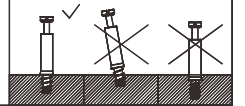
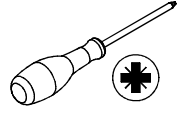
Ø15x9.5 mm



41

Ax6

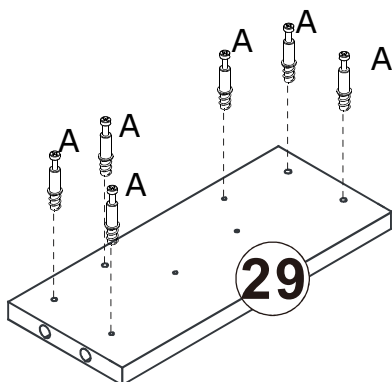
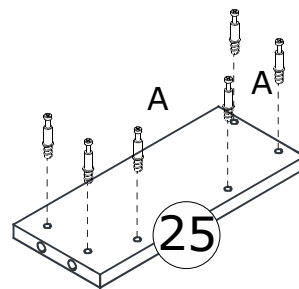
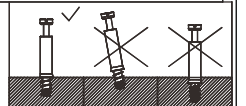
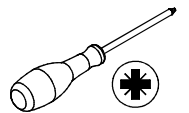
$\phi 6 \times 35 \text{mm}$



42

Ax12

$\phi 6 \times 35 \text{mm}$

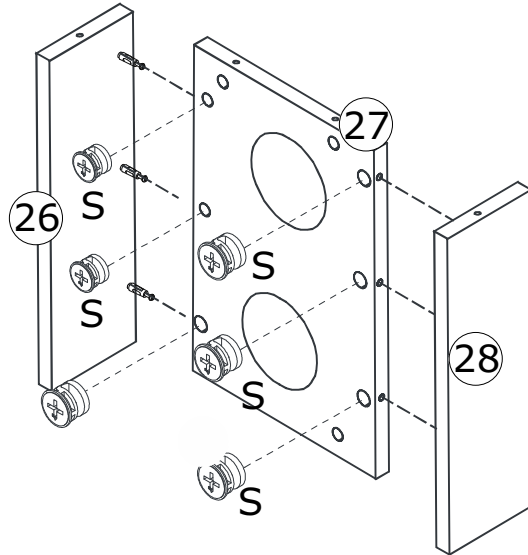
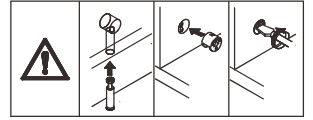
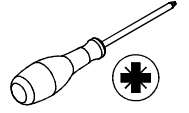


43

Sx6



Ø15x9.5mm

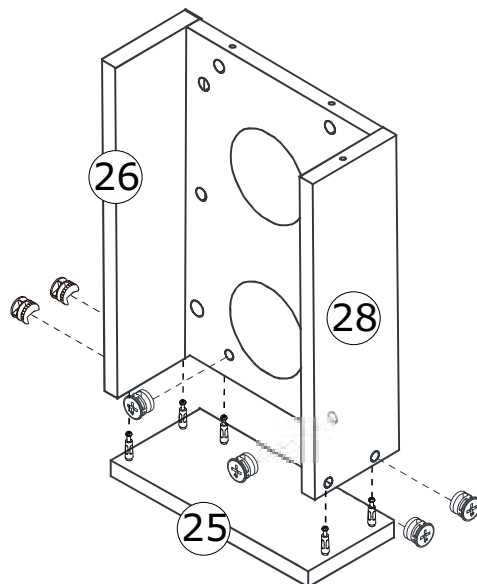
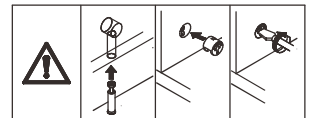
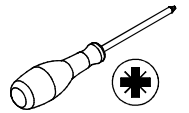


44

Sx6



Ø15x9.5mm

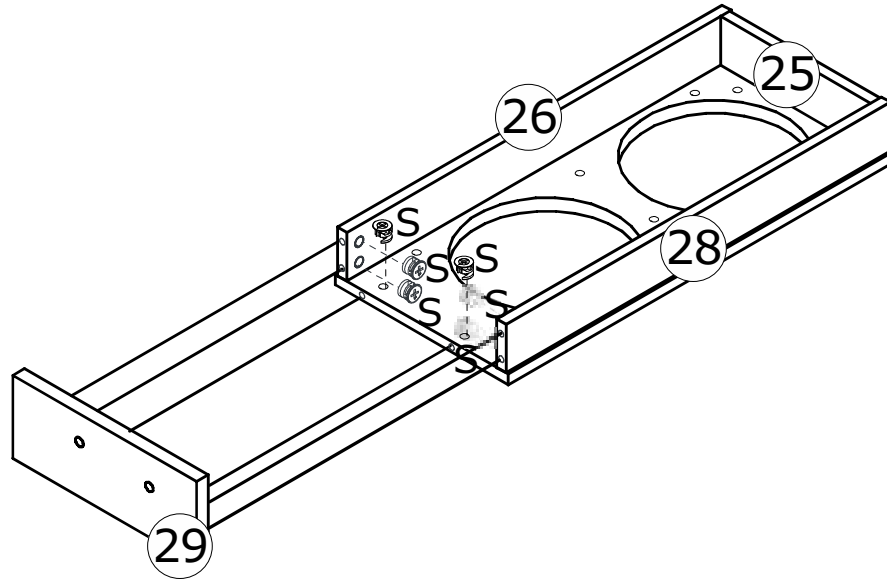
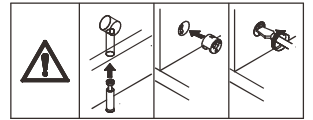
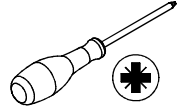


45

Sx6



Ø 15x9.5mm

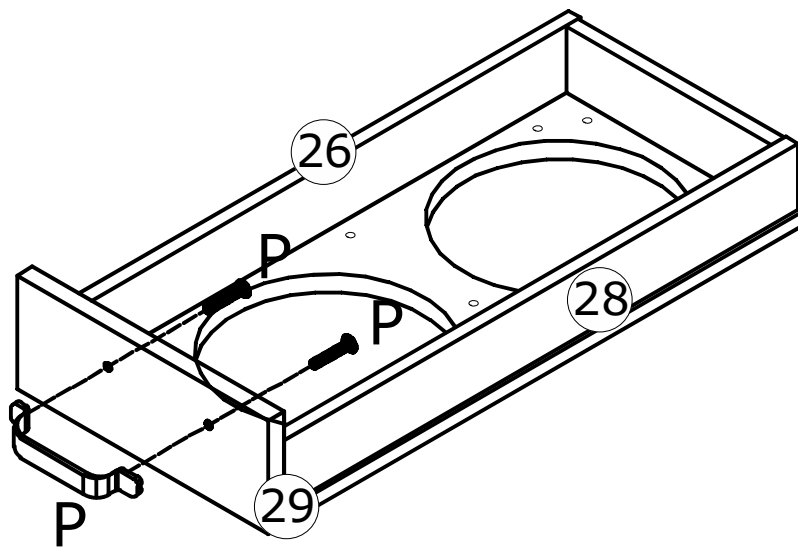
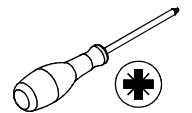


46


Px1




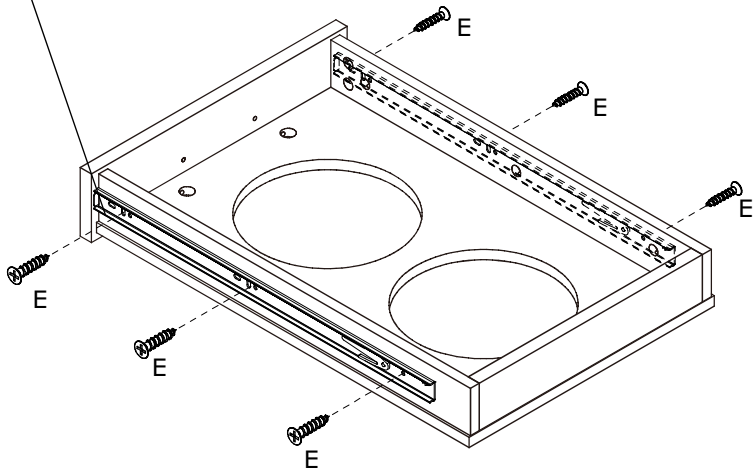
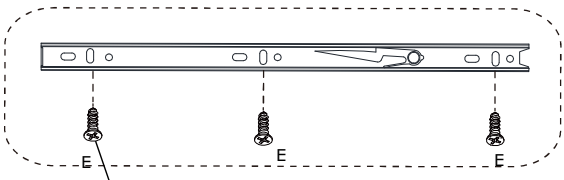
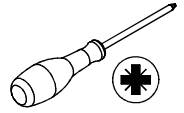
Ø 4x18mm



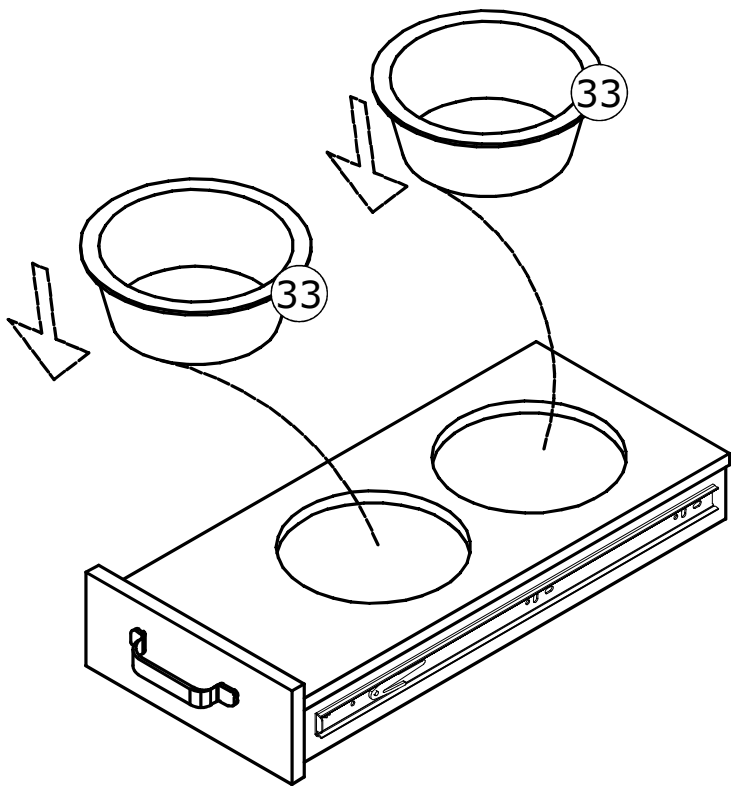
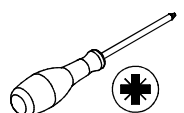
47

Ex6

∅3X12mm

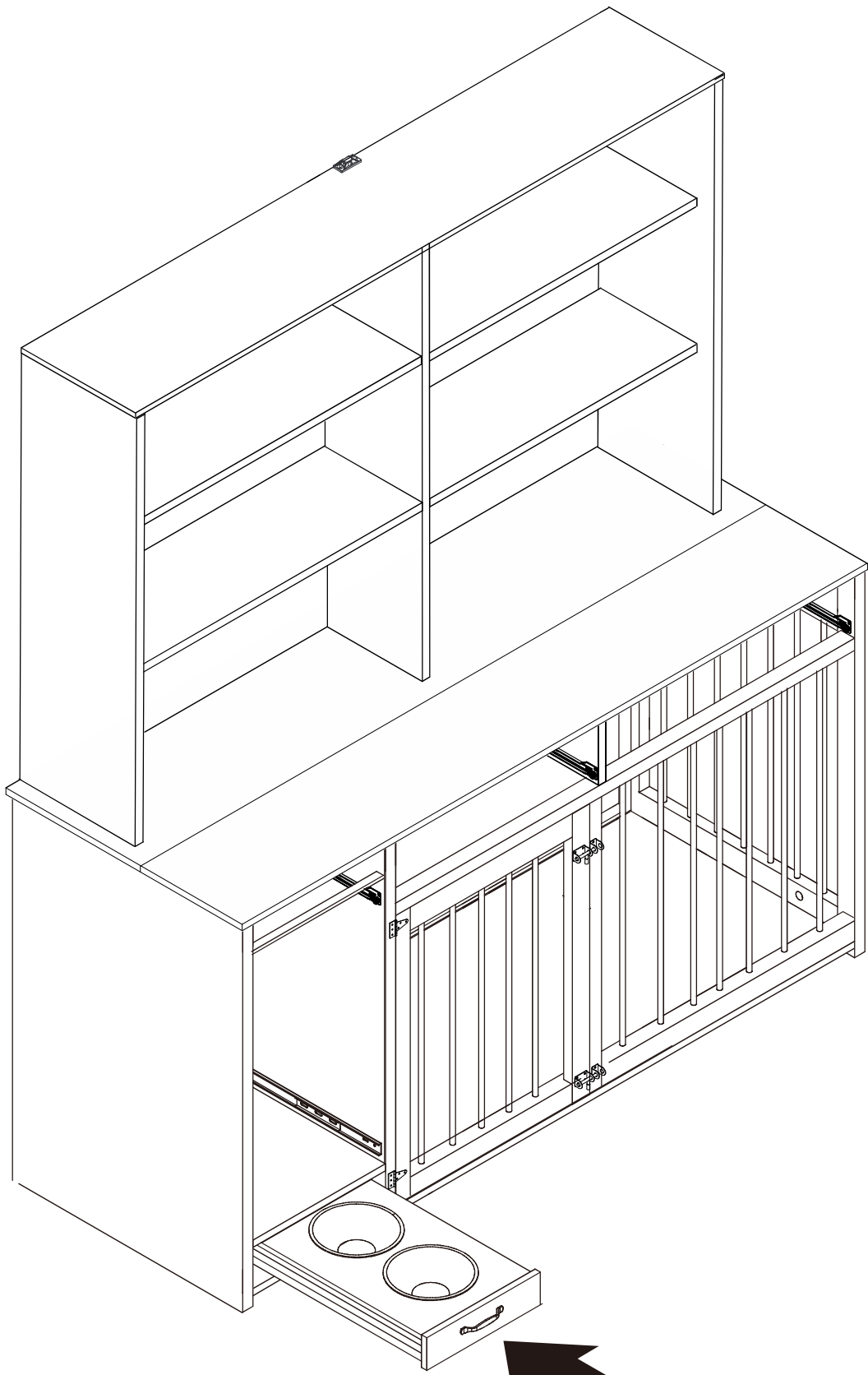
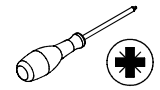
Ux1

L= 500mm



48



49



50

Ax16

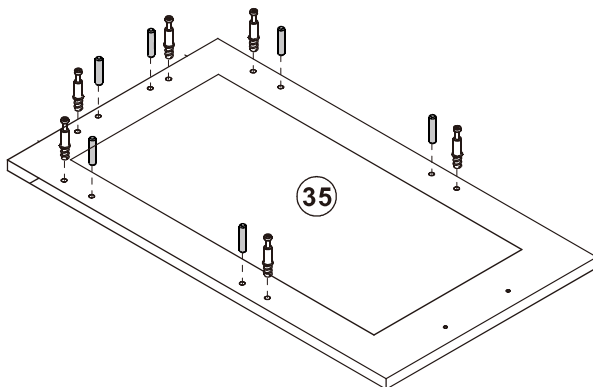
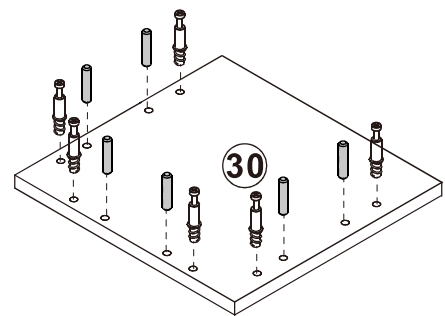
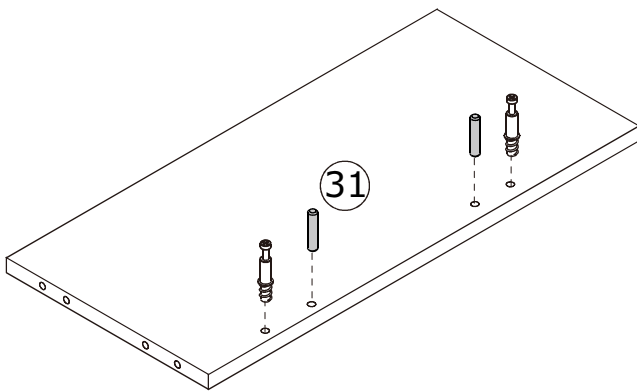
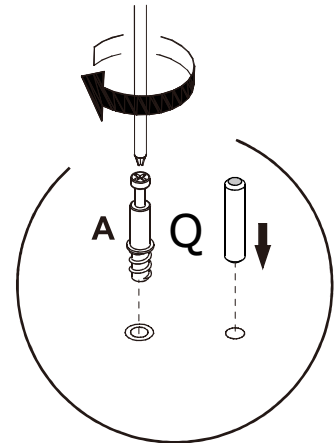
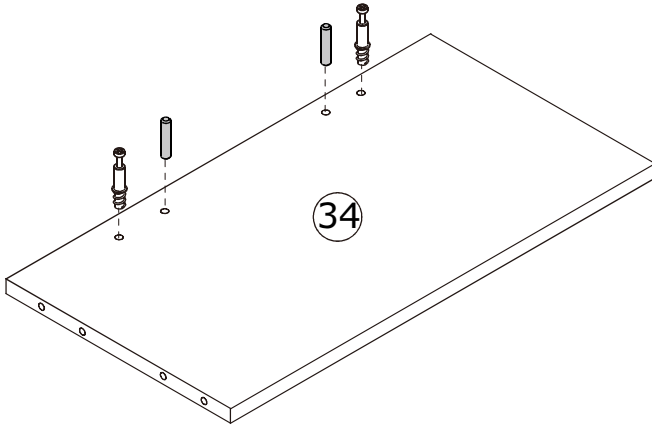
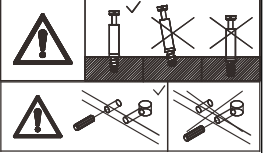
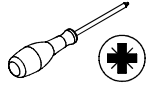


∅ 6X35mm

Qx16



∅6x30mm

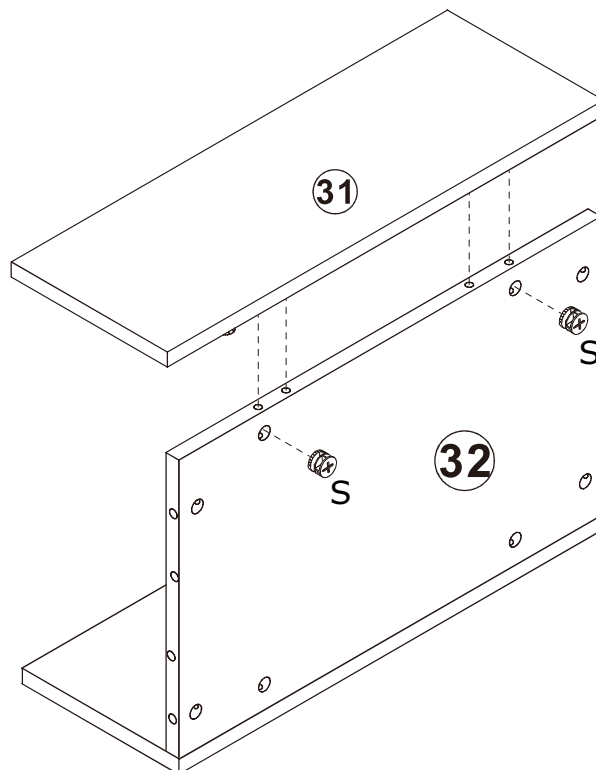
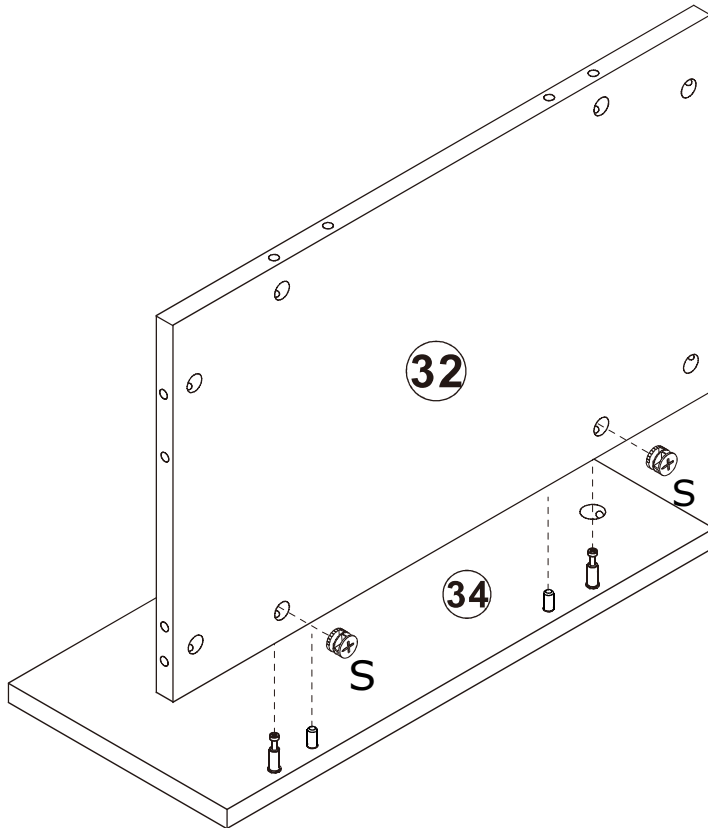
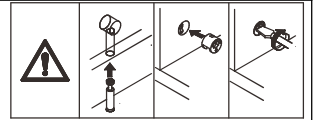
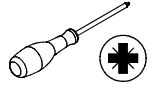


51

Sx4



Ø 15 x 9.5mm

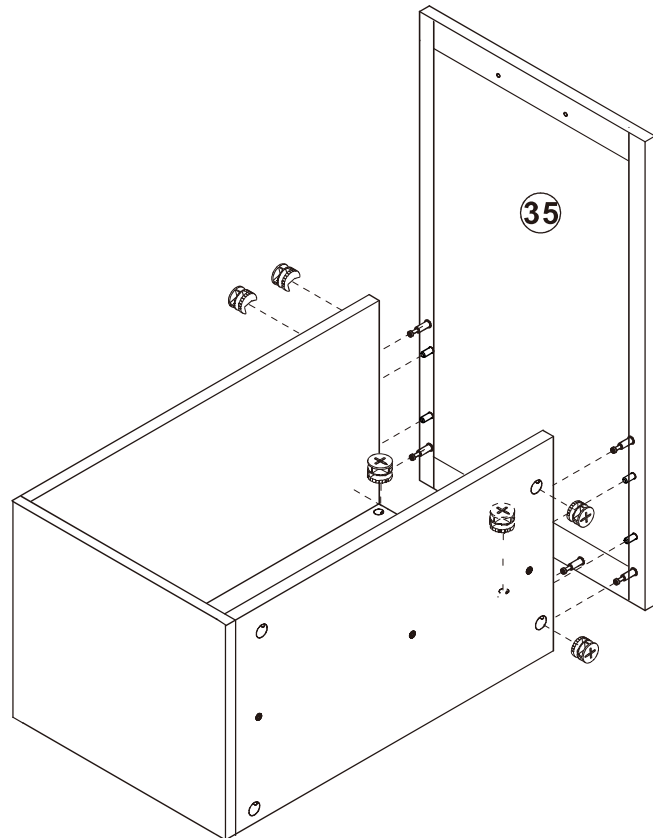
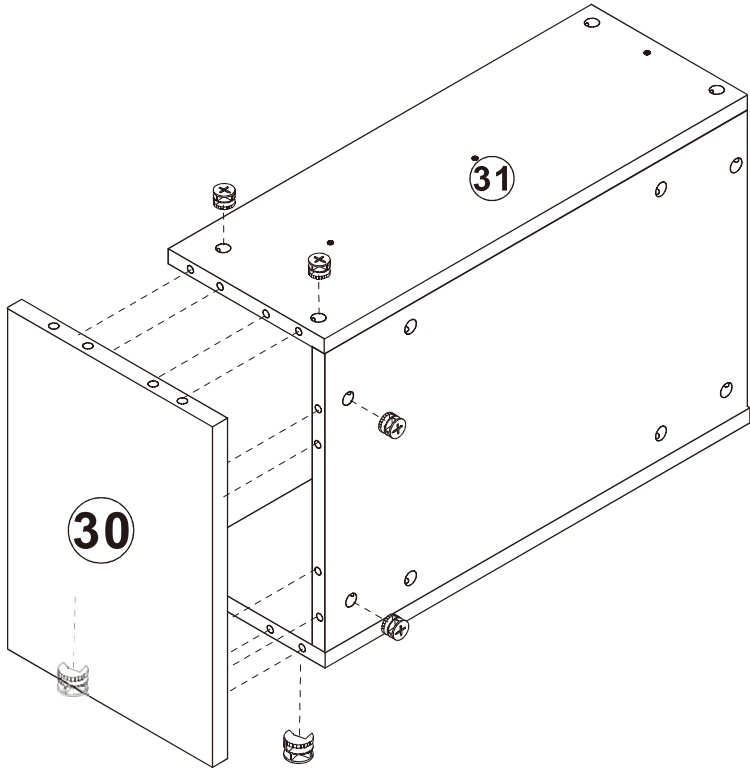
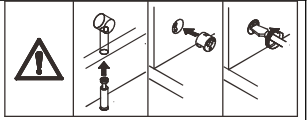
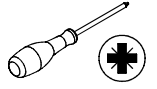


52


Sx12





Ø 15 x 9.5mm

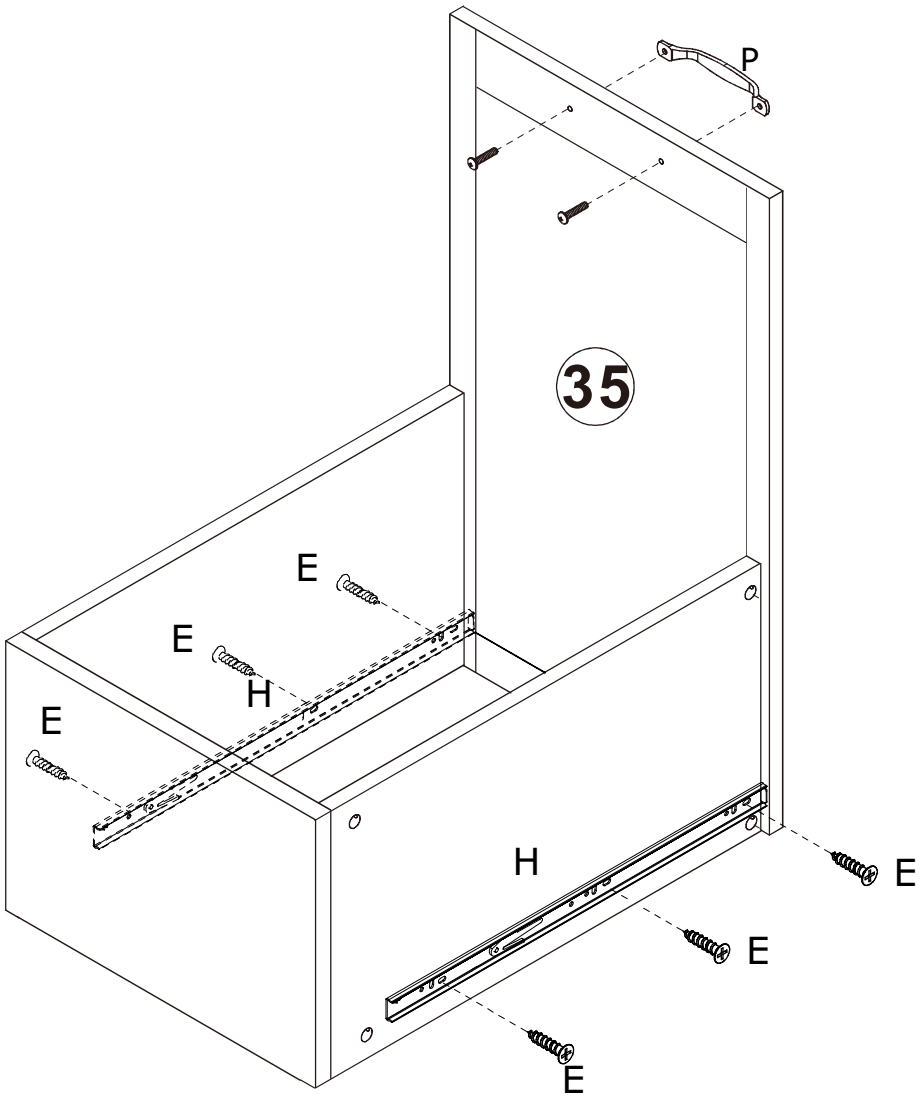
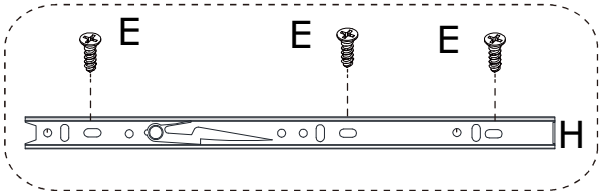
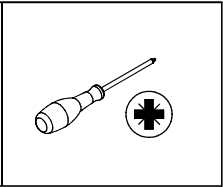


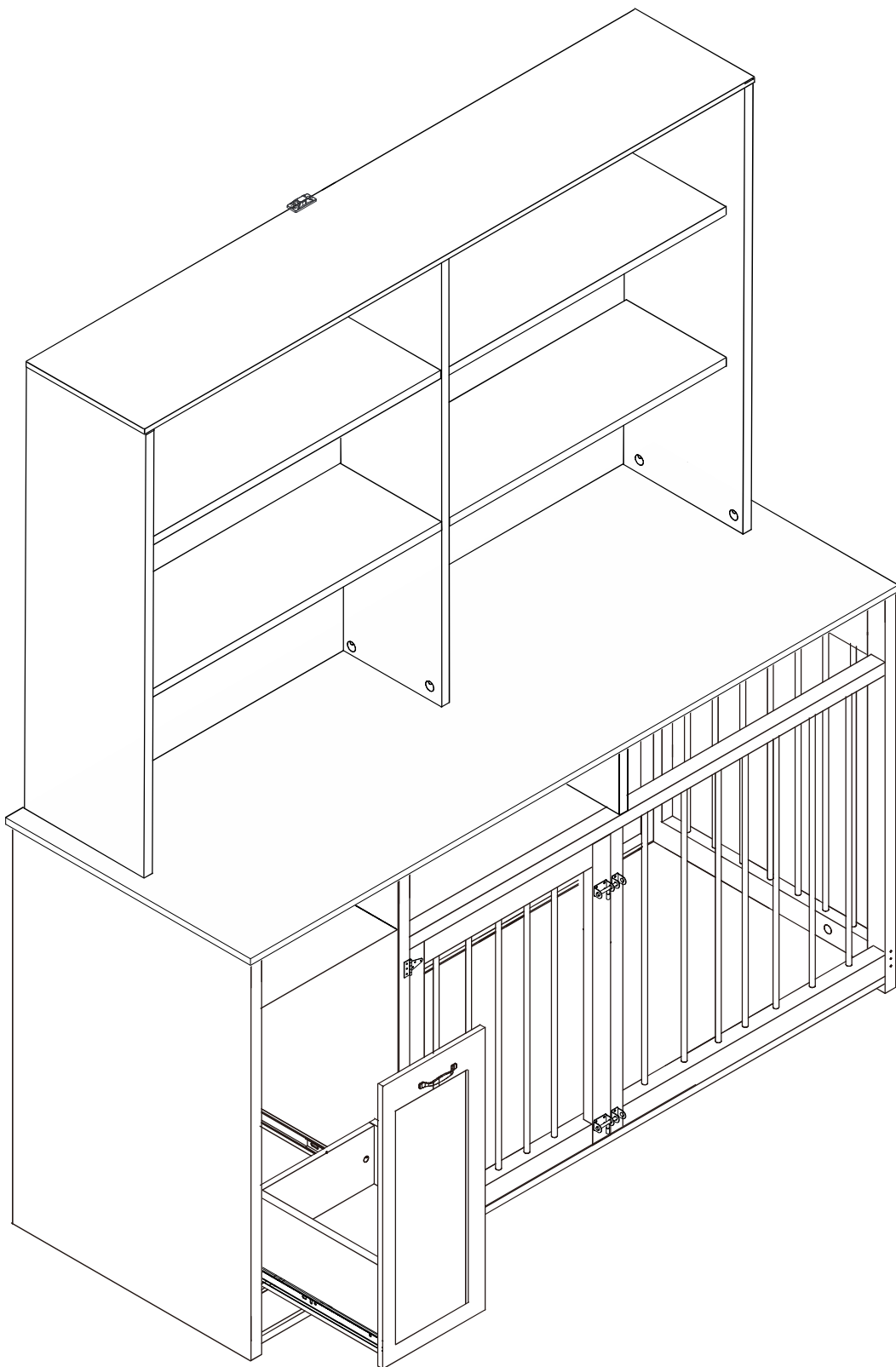
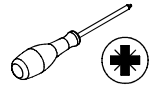
53

Ex6

Ø 3X12mm

Px1

Ø 4X18mm

Hx1

L= 400mm



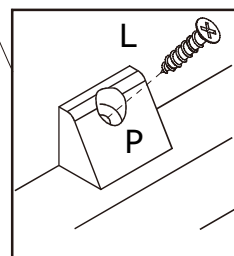
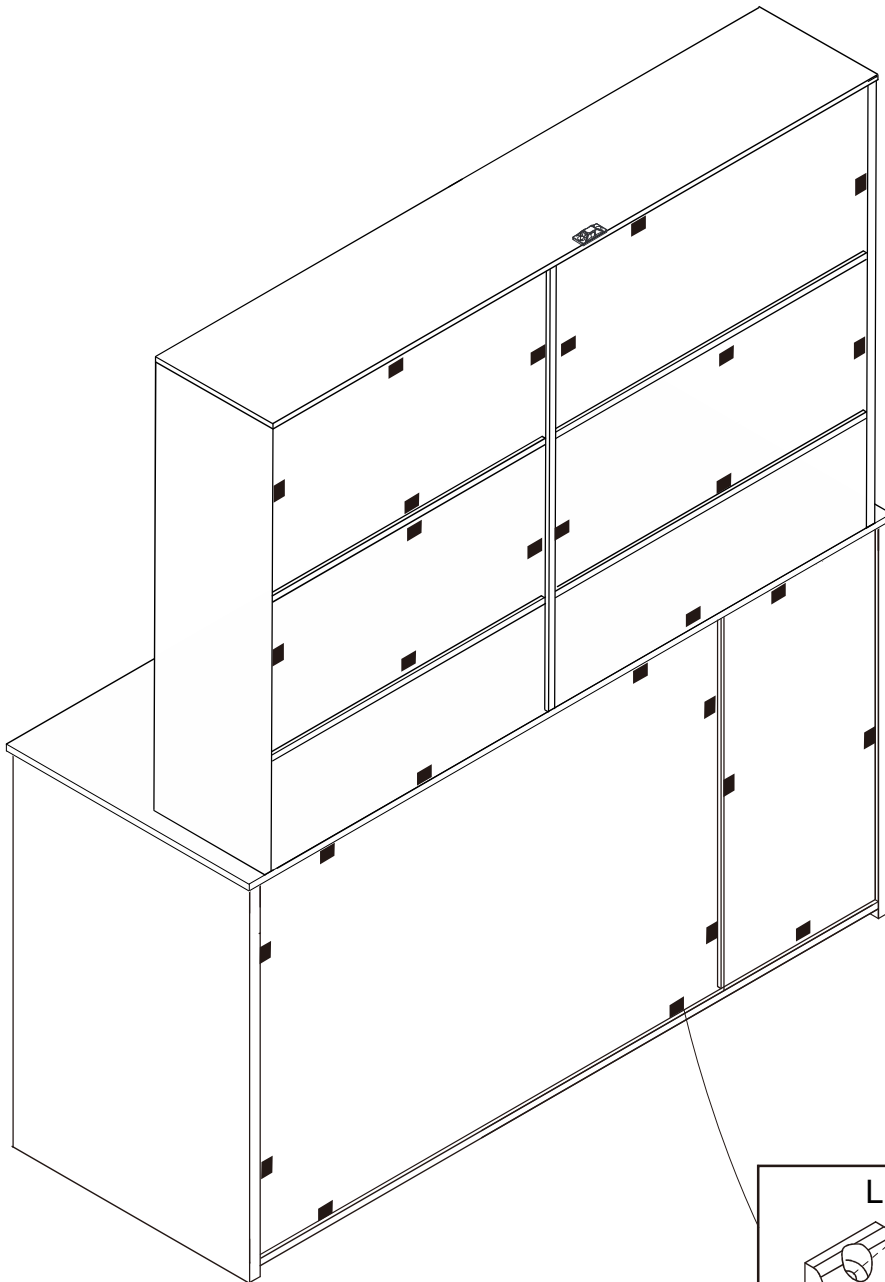
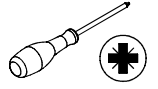


55

Lx26



∅ 3X12mm

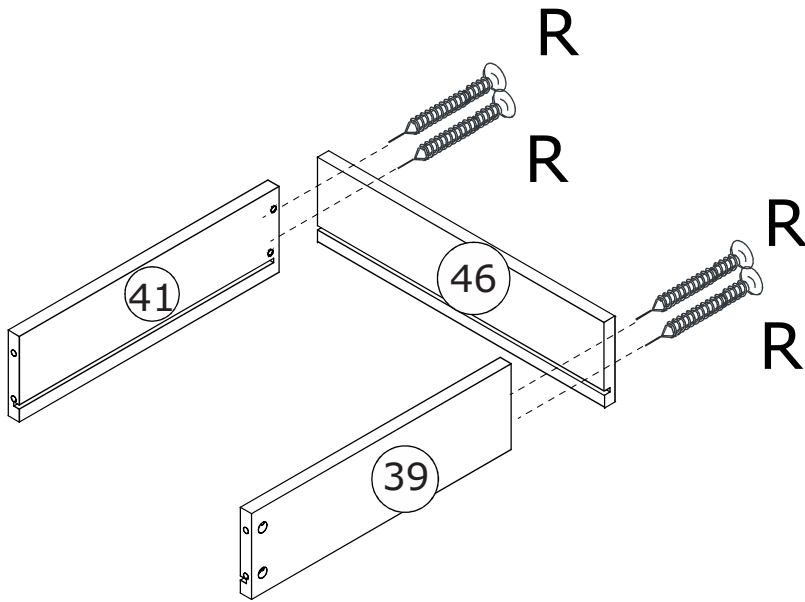
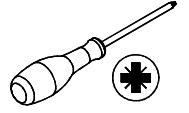


56

R x 8

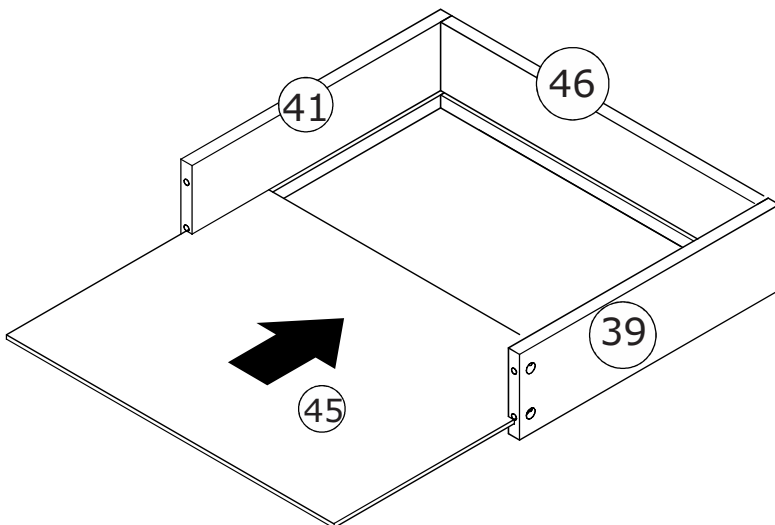
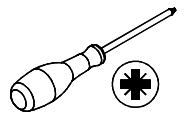


Ø 4X30mm



x2

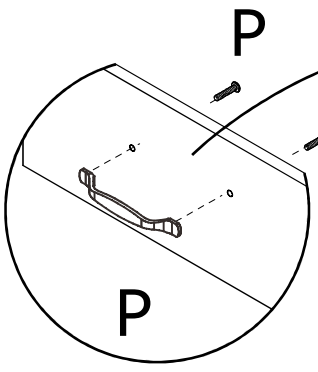
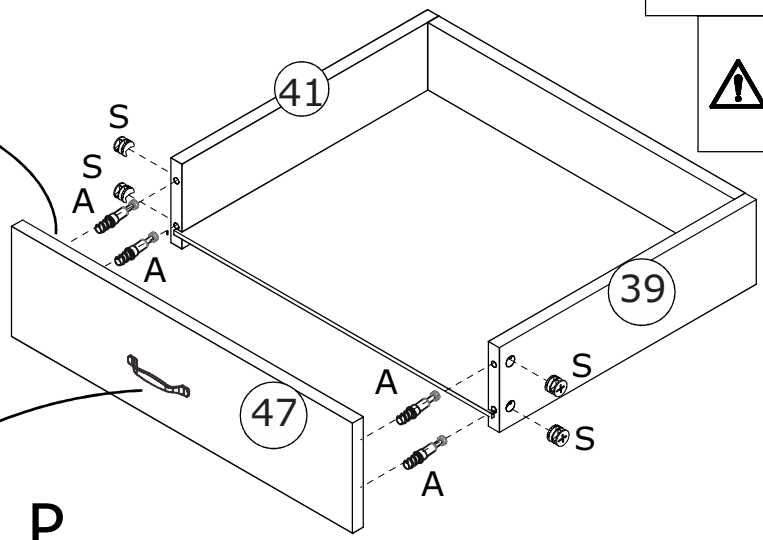
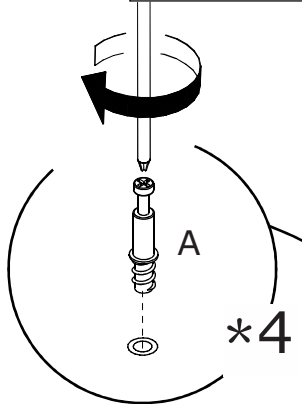
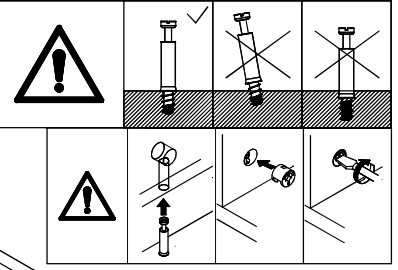
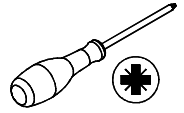
57



x2

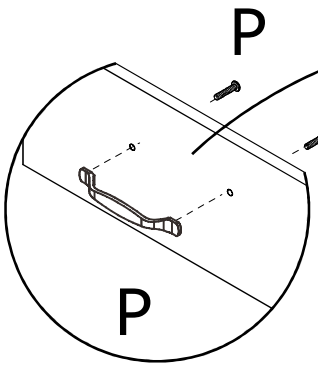
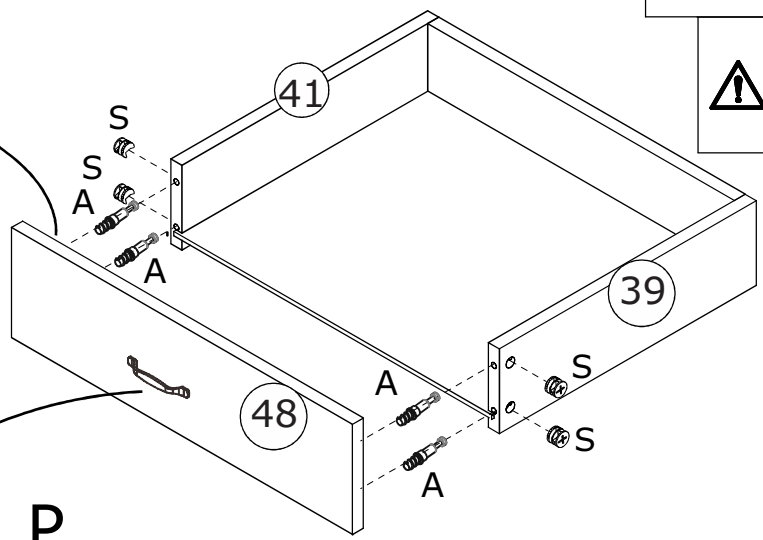
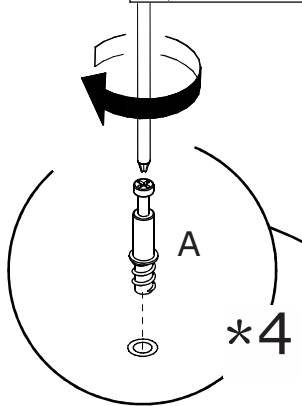
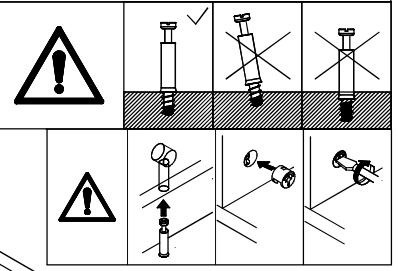
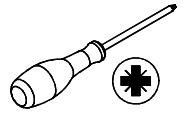
58

- Ax4
Ø6x35mm
- Sx4
Ø15x9.5mm
- Px1
Ø4 x18mm



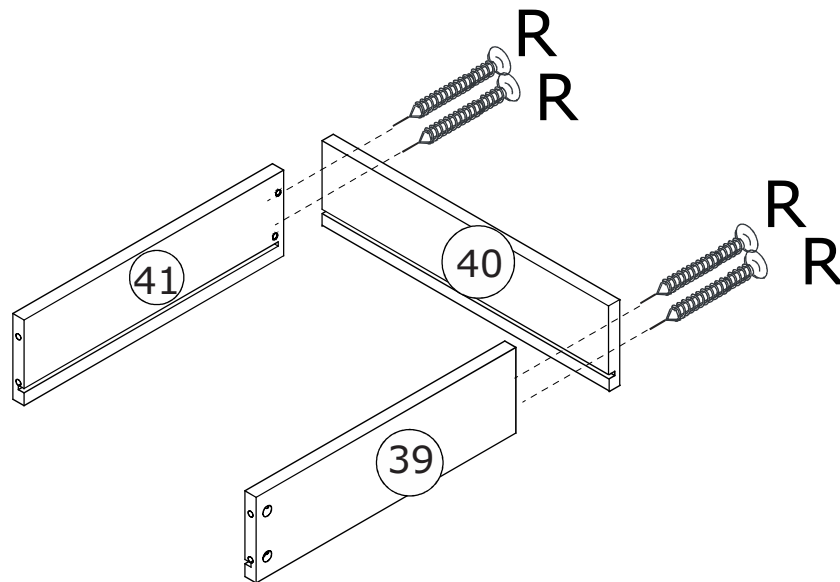
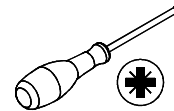
59

- Ax4
Ø6x35mm
- Sx4
Ø15x9.5mm
- Px1
Ø4 x18mm

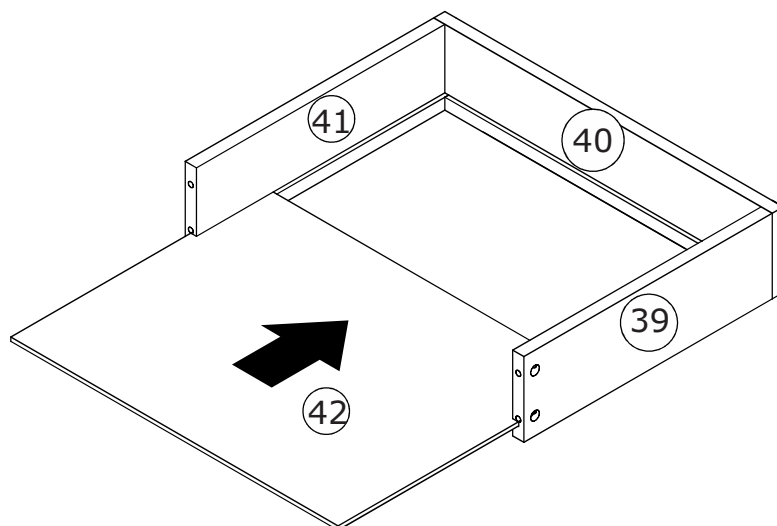
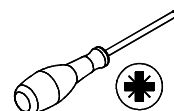


60

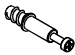


R x 4

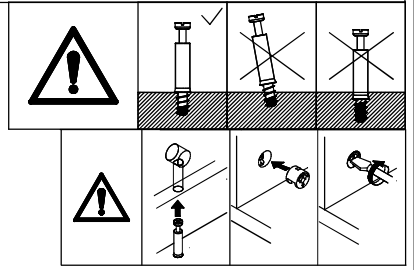
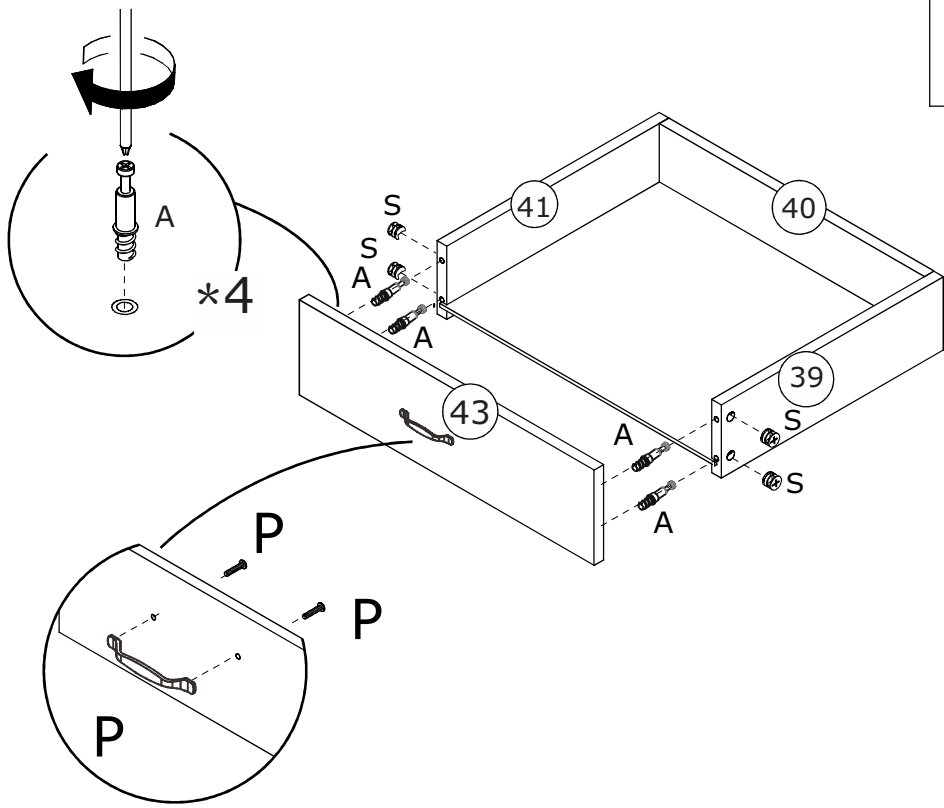
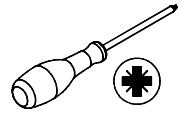


61

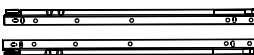



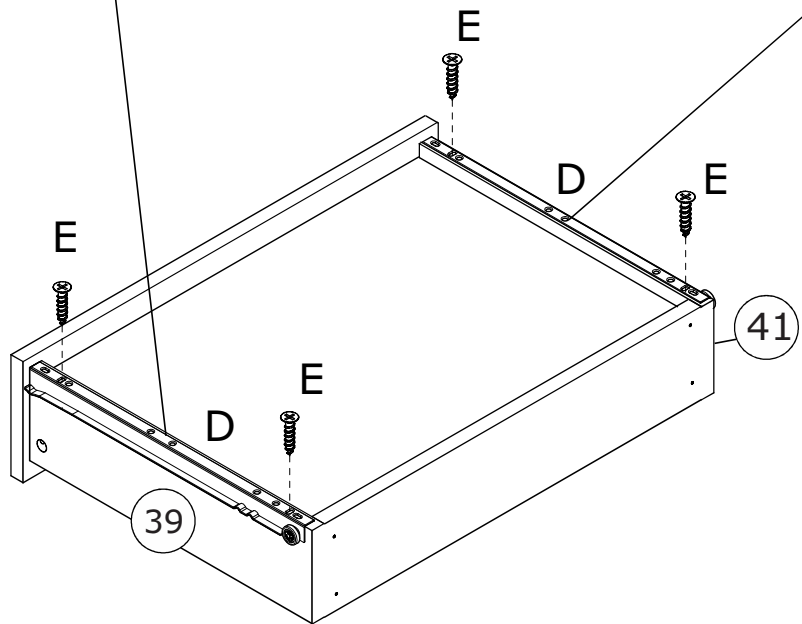
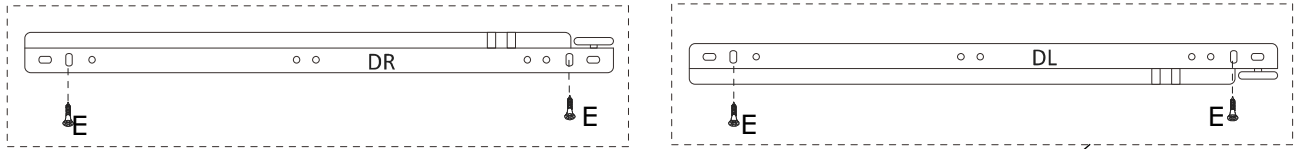
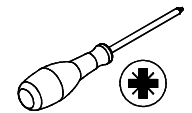
62

Ax4  Ø6x35mm	Sx4  Ø15x11mm	P.x1  Ø4 x18mm
---	--	---



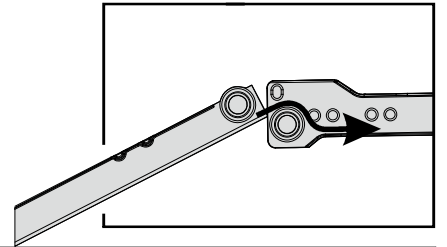
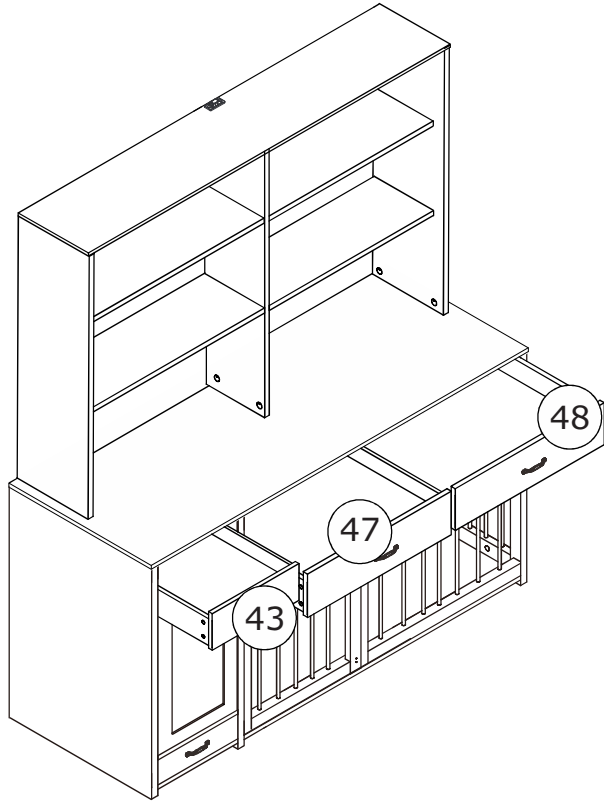
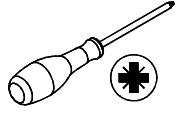
63

Dx3 	Ex12  Ø3x12mm
--	--

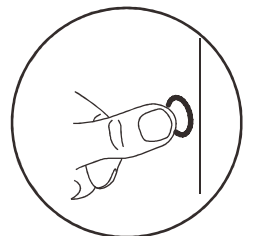
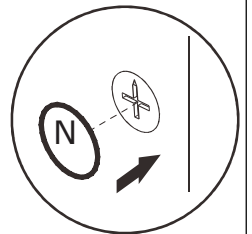
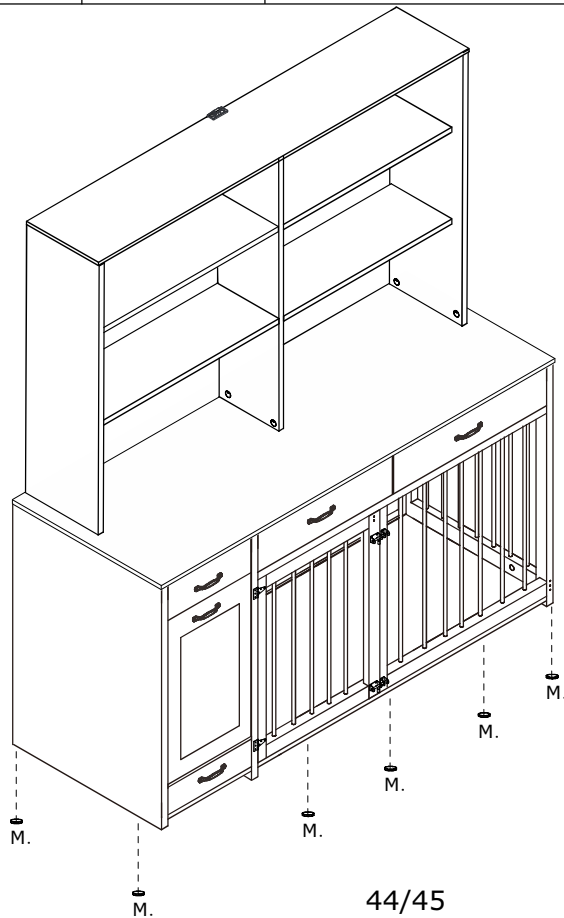
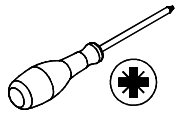
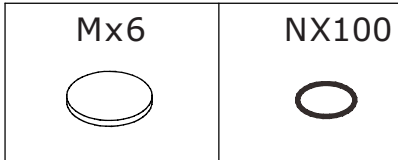


X3

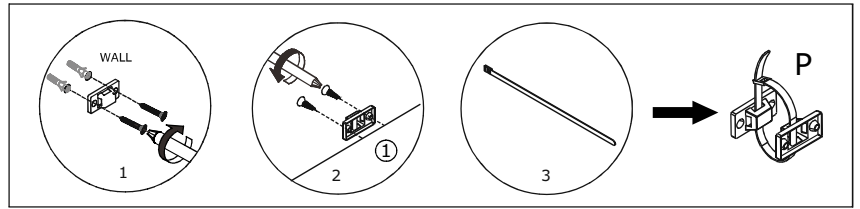
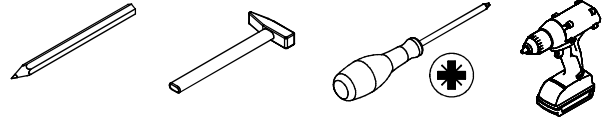
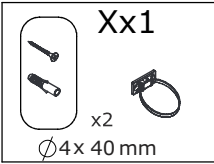
64



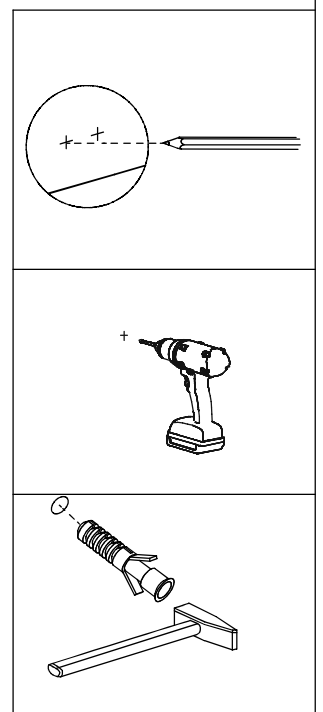
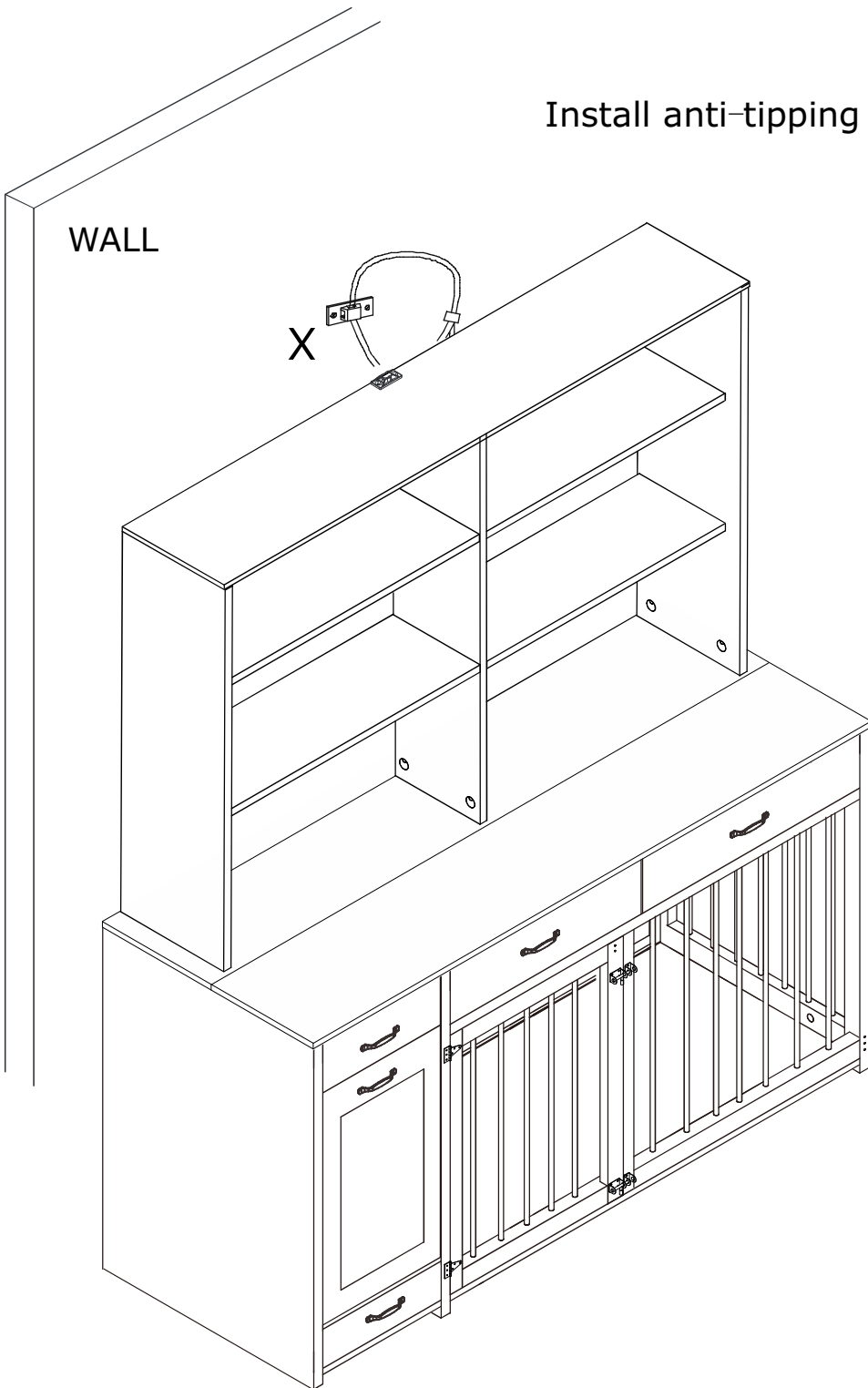
65



66



Install anti-tipping device as shown.



WARRANTY

WARRANTY CLAIMS

- There is a 30-day warranty for broken furniture or any other problems that do not work properly. The warranty will start from the date of purchase which must be verified by proof of purchase.
- Before making a claim, we may be able to answer your query, simply call us. Please leave your purchase order number, along with some details of the problem, if you want a replacement part. We will arrange within 48 hours. If there is out of stock, we will reply with a shipping date.
- The product must be used in accordance with the instructions provided. For health reasons.
- For other reasons, if the furniture needs to be returned, it must be cleaned and dried and operated within 30 days of receipt.

Type of Warranty Claim

- Failure to follow the furniture instructions will invalidate the warranty. Attention please.
- Does not include damage during installation, but includes damage during transportation.

Scope of responsibility

- Shall not bear any responsibility for misuse or user damage and / or loss of parts during the installation of furniture.
- After using, the damage and scratches of the furniture are not covered by the warranty.

The Warranty Relates to All Bought in The Us and Covers The Following Areas

- Sheet parts: 1 month from the date of purchase.
- Electrical parts: 1 month from the date of purchase.

RETURNS

CHANGED YOUR MIND AND NEED TO RETURN YOU ITEM?

PLEASE FOLLOW THE BELOW INSTRUCTIONS:

- If you have purchased and have simply changed your mind, follow the retailer's instructions for returns.

DEFECTIVE ITEMS

- If your item is defective in any way, i.e. it doesn't work but you can't identify why, in the first instance, please call us.

DAMAGED ITEMS

- If you receive an order with obvious shipping damage from the retailer, then we suggest the delivery is refused. If the delivery has been accepted and then shipping damage is found, please follow the specific instructions advised by the retailer.
In all circumstances please save all packaging material and paperwork for the order. Please be aware that if you dispose of packaging material or attempt to return the merchandise without contacting the fulfiller, you jeopardise your chances of making a claim, and you may not receive a credit for the return.

AFTER-SALES CONTACT



feedbackstation@163.com



(303)800-6387