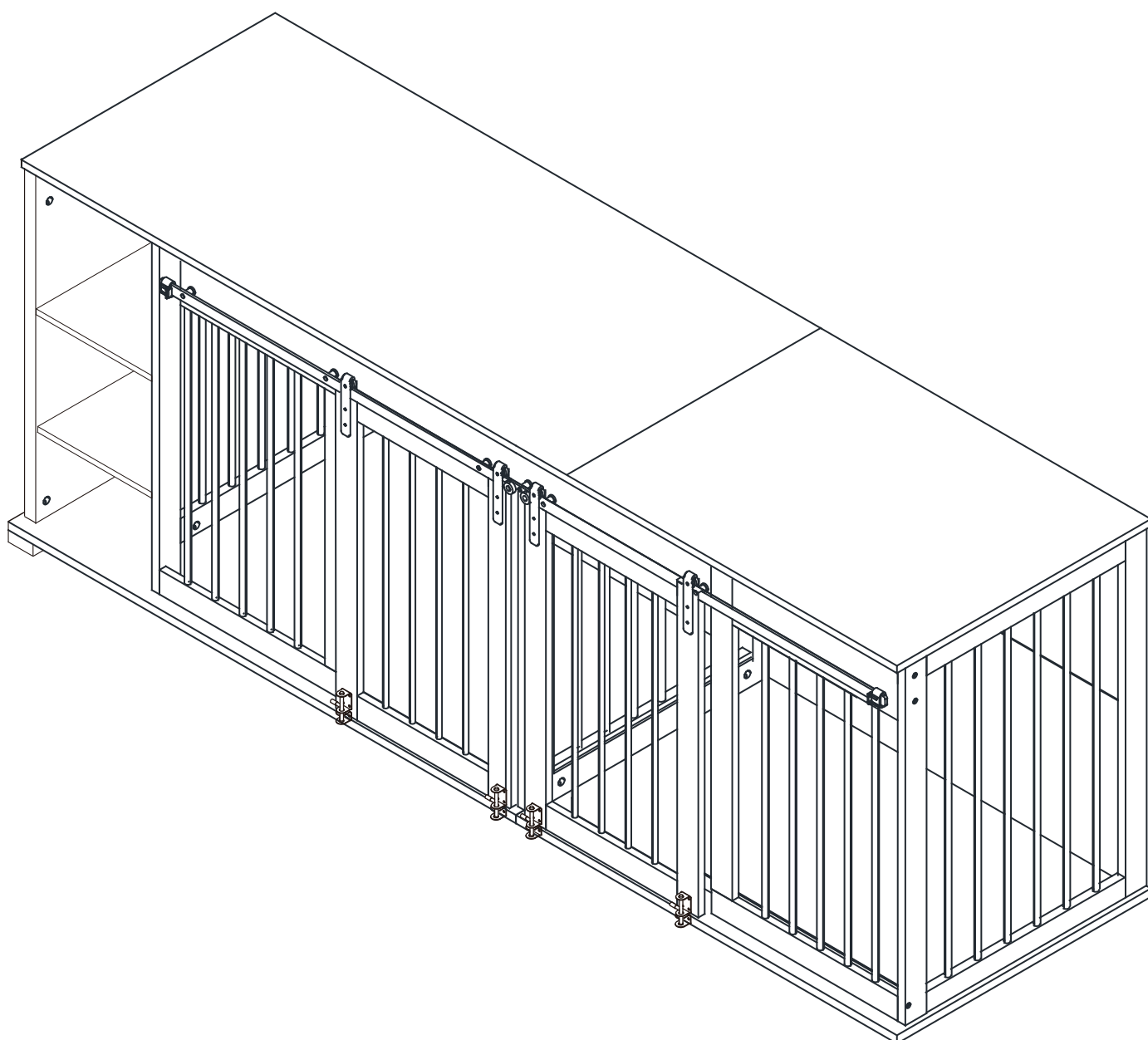
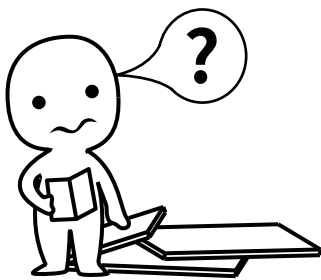


RODUCT INSTRUCTION

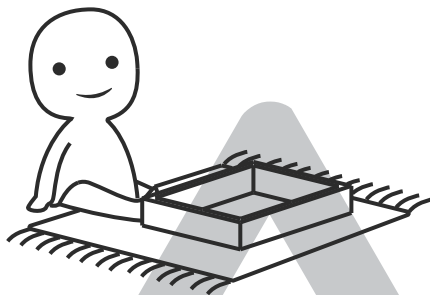
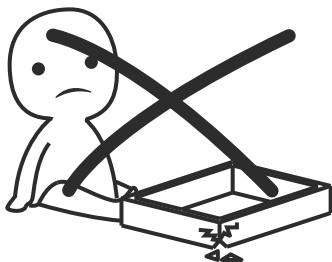
KF150179 – 01





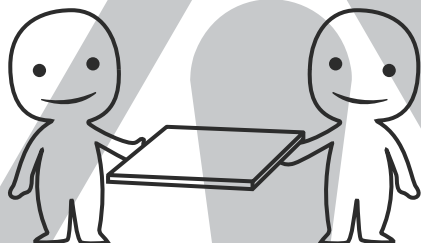
IMPORTANT INFORMATION!

please read the entire manual before starting to assemble and/or using this product. follow the manual thoroughly and keep it for further reference.



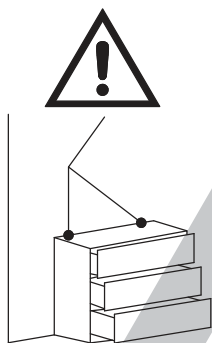
AVOID SCRATCHES!

In order to avoid scratching this furniture should be assembled on a soft layer- could be a rug.



IMPROVE EFFICIENCY !

Try to find a partner to install with you, which can speed up the installation efficiency and shorten the time.



ANTI-TOPPLE WARNING !

Overturnd furniture can cause serious or fatal crush injuries. To prevent tipping over, be sure to use the wall attachment, if not included with this product. Please purchase the wall attachment that fit your wall. If unsure, seek professional advice. Please read and follow each step of the instructions carefully.

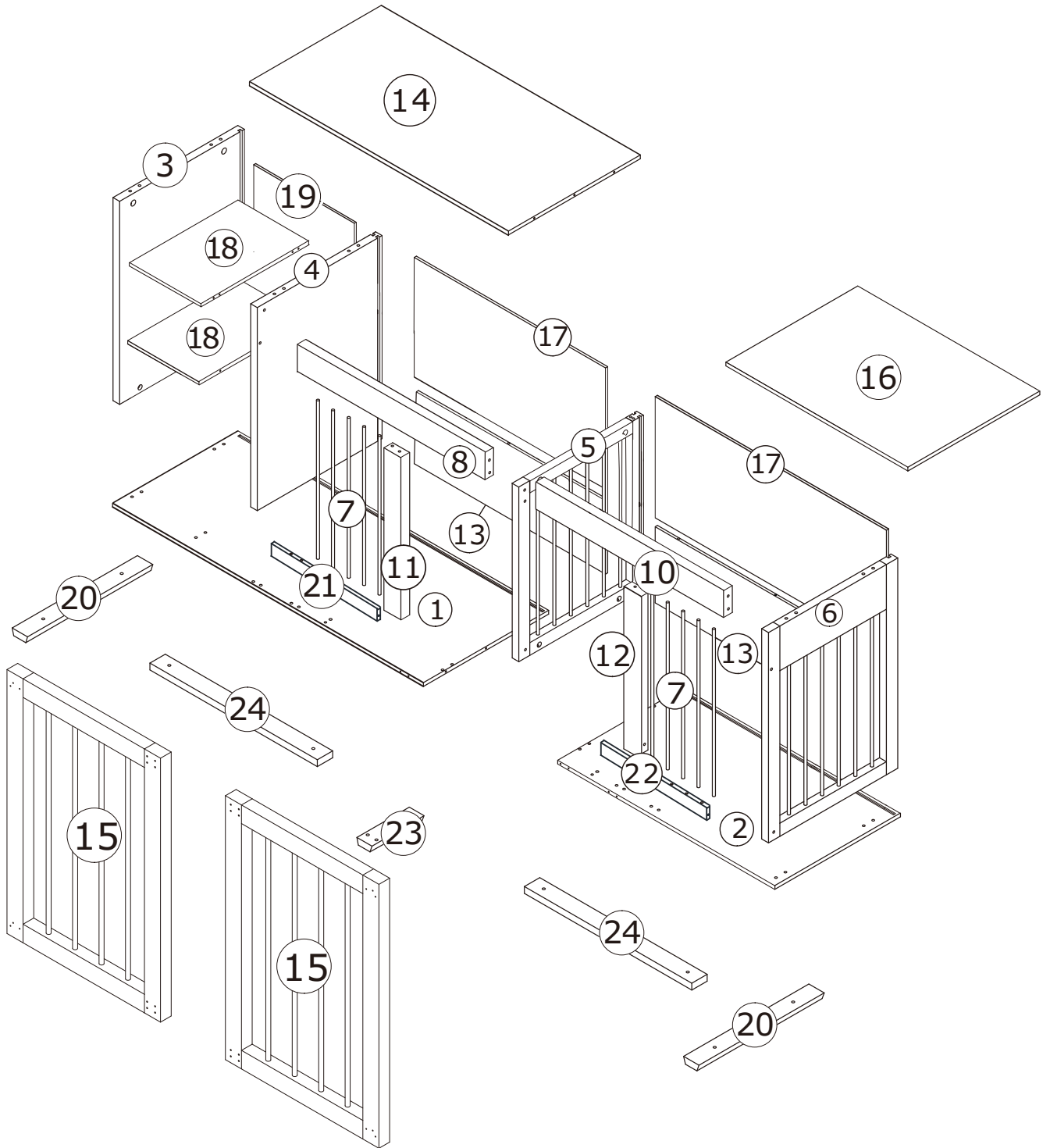
IMPORTANT !

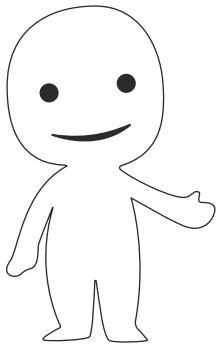
It is important that any product which is assembled using any kind of screw is re-tightened 2 weeks after assembly, and once every 3 months - in order to assure stability through-out the lifespan of the product.

For regular maintenance and cleaning of the product, for the frame, please use a rag dipped in neutral detergent to fully wipe it, and then dry it with a clean rag. For glass materials, wipe with a rag dampened with water glass cleaner, and then dry with a dry rag.

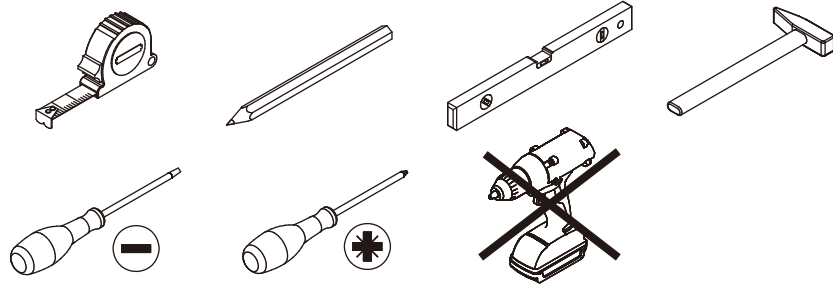
Do not use an electric screwdriver, and do not use too much force when installing, because the board is easy to break.

Parts List / Teileliste





Please prepare the following tools



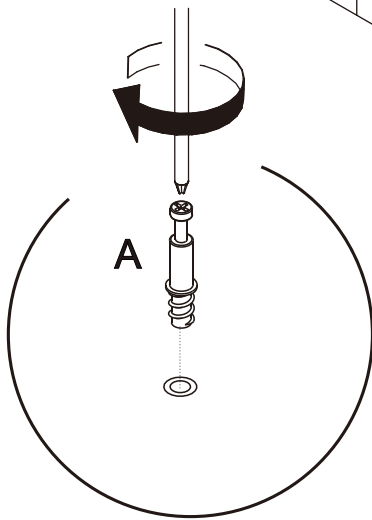
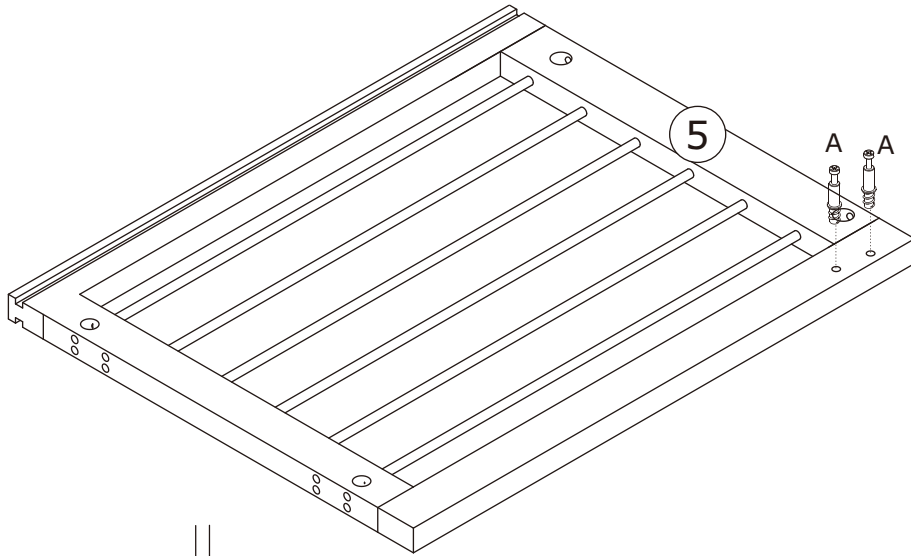
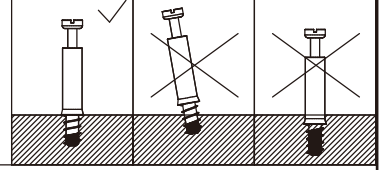
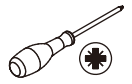
When installing, please carefully confirm whether each screw corresponds to the manual, accessories with similar shapes can be distinguished by size

<p>A x 42+4</p> <p>∅ 5 x 3 1 mm</p>	<p>B x 42+5</p> <p>∅ 1 5 x 1 1 mm</p>	<p>C x 46+4</p> <p>∅ 8 x 30 mm</p>	<p>D x 5</p>	<p>E x 18+1</p> <p>∅ 6x35 mm</p>
<p>Fx4</p> <p>∅3.5x17mm</p>	<p>G x 5</p> <p>∅ 6x25 mm</p>	<p>H x 8</p> <p>∅3.5x15mm</p>	<p>J x 4</p> <p>∅ 3.5 x 14 mm</p>	<p>K x 6</p>
<p>L x 22+2</p> <p>∅ 3 x 12 mm</p>	<p>M x 6</p> <p>∅ 6 x 30mm</p>	<p>N x 42+5</p>	<p>O x 1</p>	<p>P.x 2</p>
<p>Q x 2</p>	<p>R x 3</p> <p>∅ 6 x 40mm</p>	<p>S x 2</p> <p>∅ 6 x 80mm</p>	<p>T x 4</p>	<p>U x 5</p> <p>∅ 6 x 40mm</p>
<p>V x 2</p> <p>∅ 6 x 12mm</p>	<p>White nut</p> <p>X3</p>			

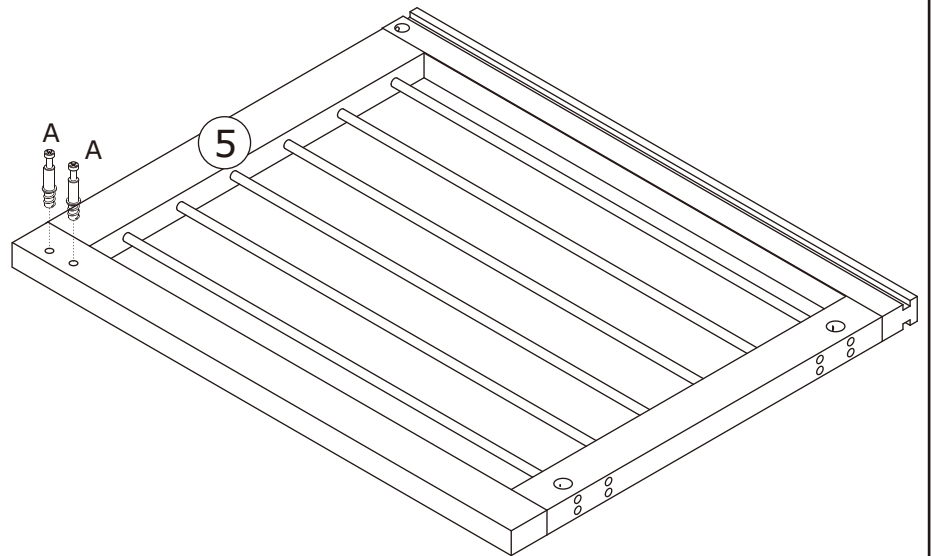
1

A x 4

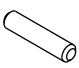

Ø5x31mm




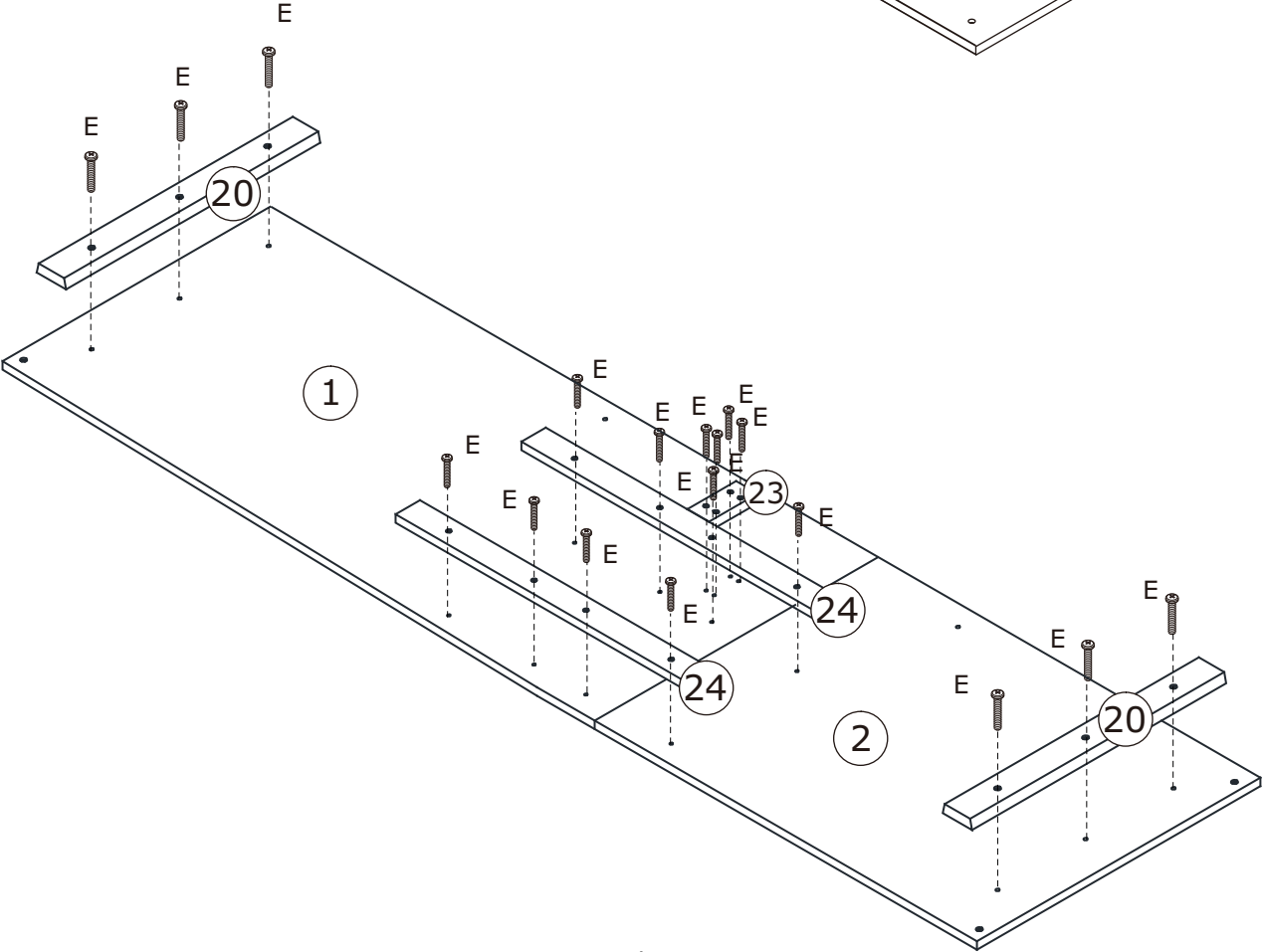
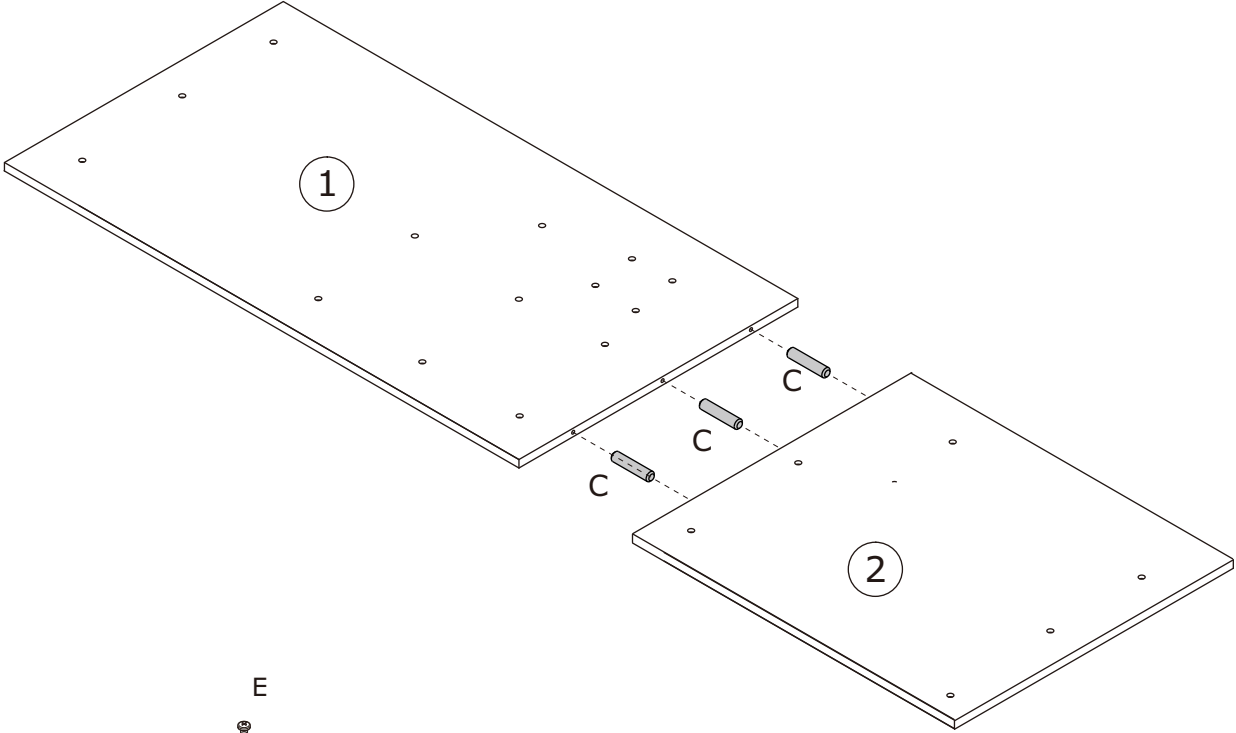
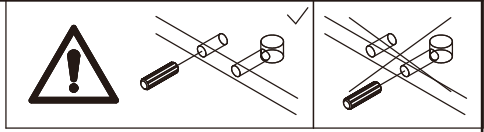
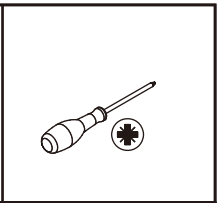
180°



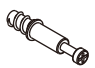
2

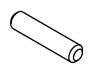
Cx3

Ø8 x 30 mm


Ex18

Ø6x35 mm

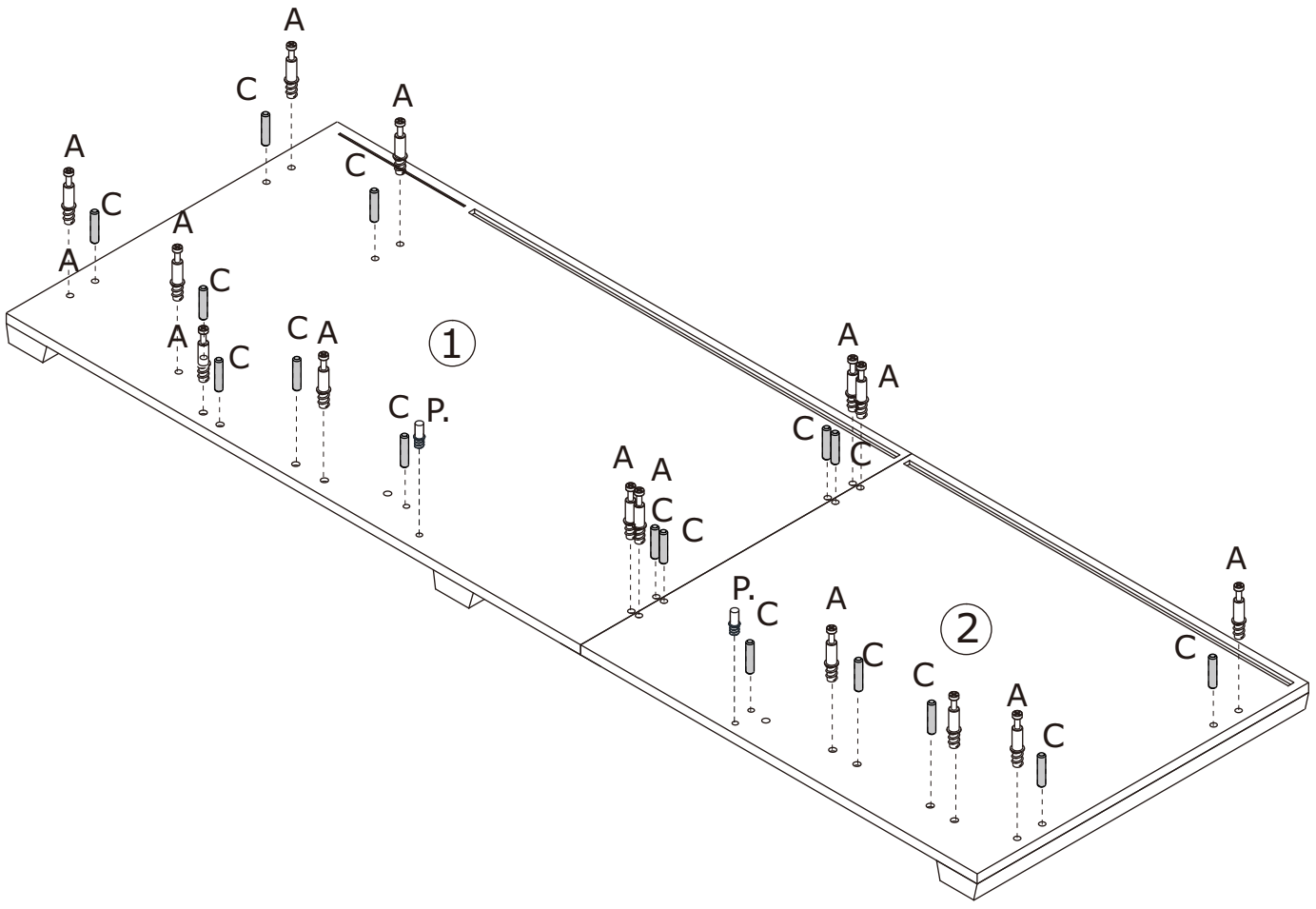
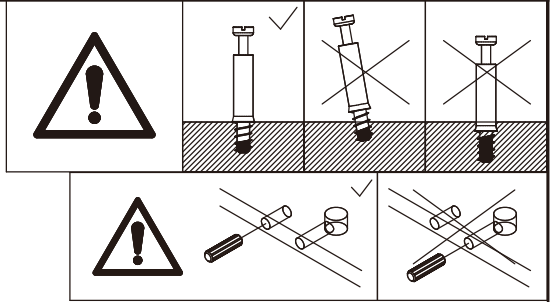


3

Ax14

Ø5x31mm

Cx16

Ø8x30mm

P.x 2


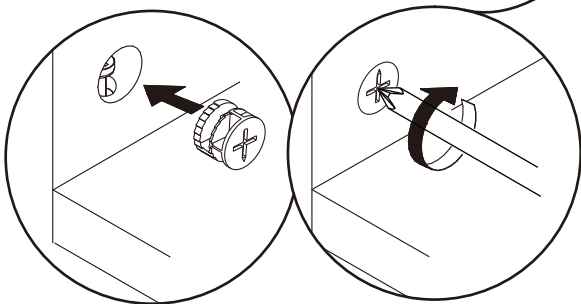
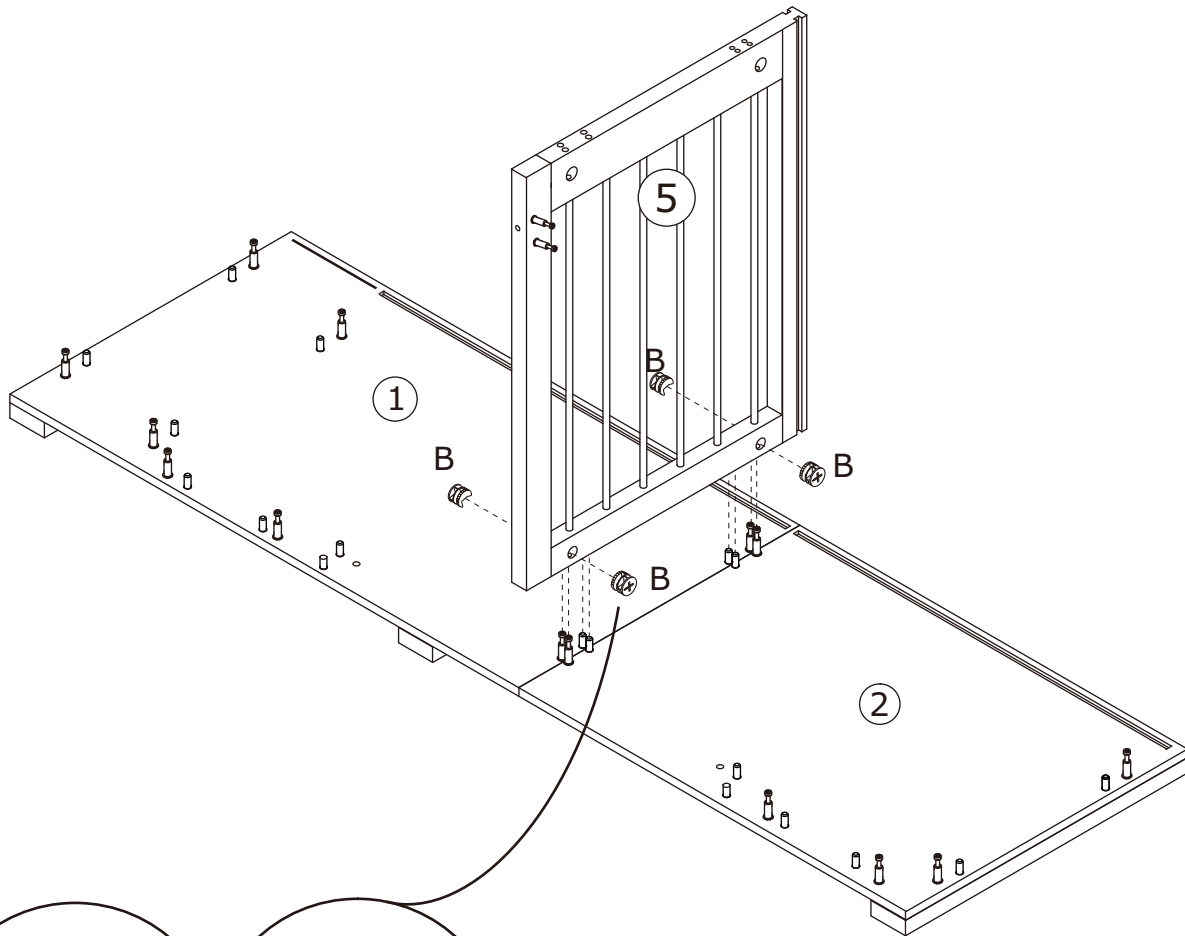
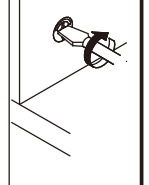
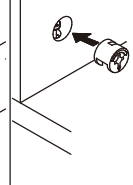
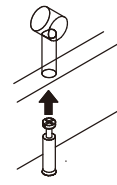
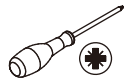


4

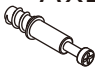
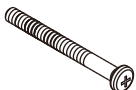
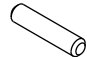


Bx4

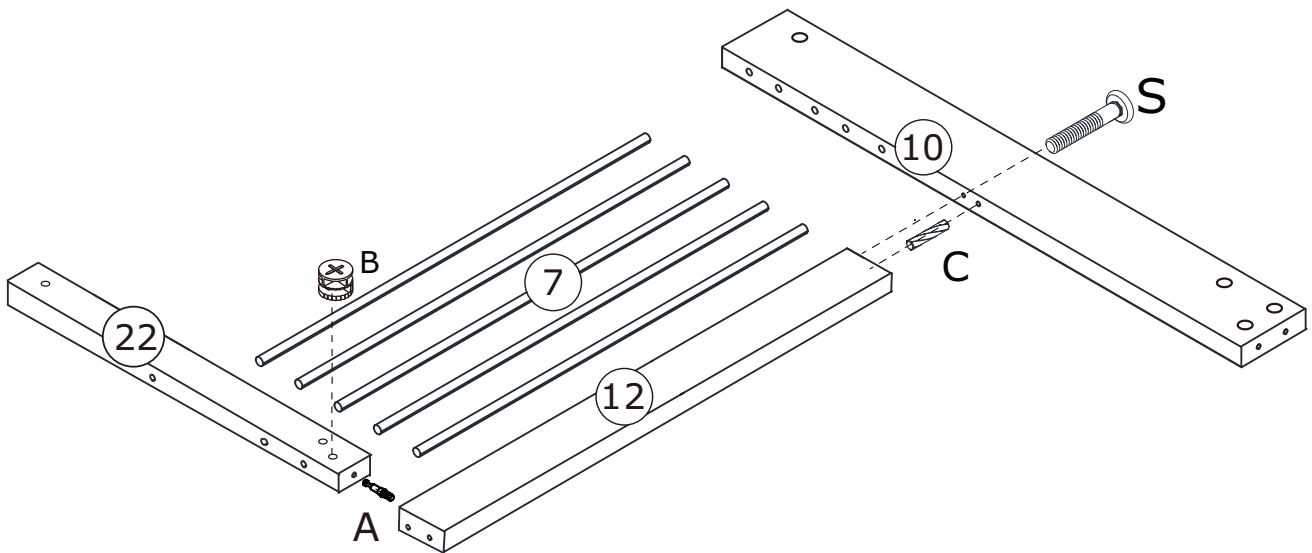
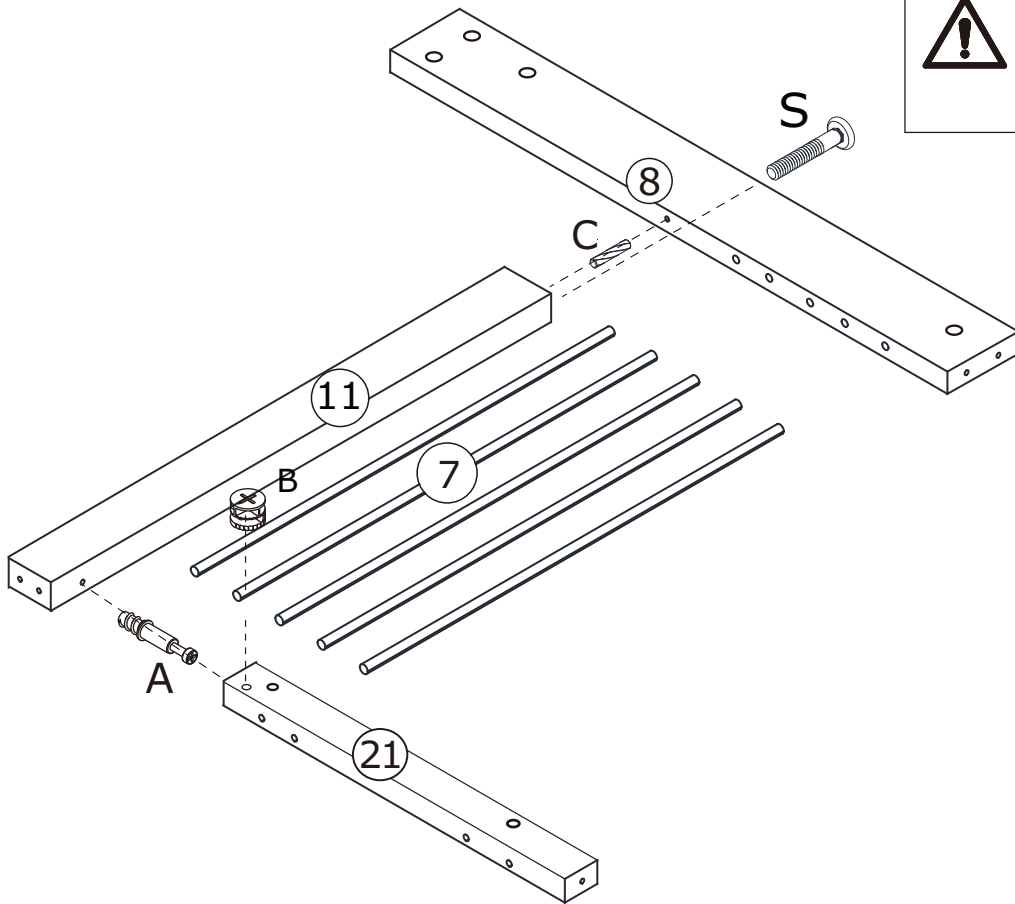
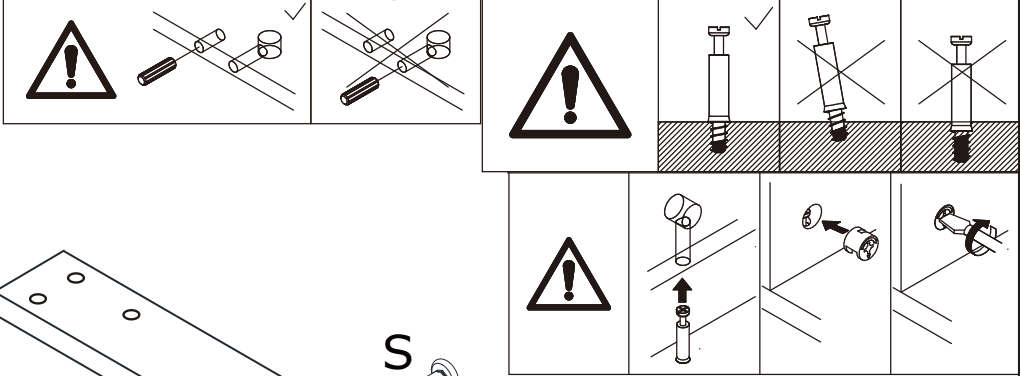


Ø15x11mm



5

<p>Ax2</p>  <p>∅5x31mm.</p>	<p>Sx2</p>  <p>∅6x80mm</p>	<p>Cx2</p>  <p>∅8x30mm</p>	<p>Bx2</p>  <p>∅15x11mm</p>		
--	---	---	---	--	---

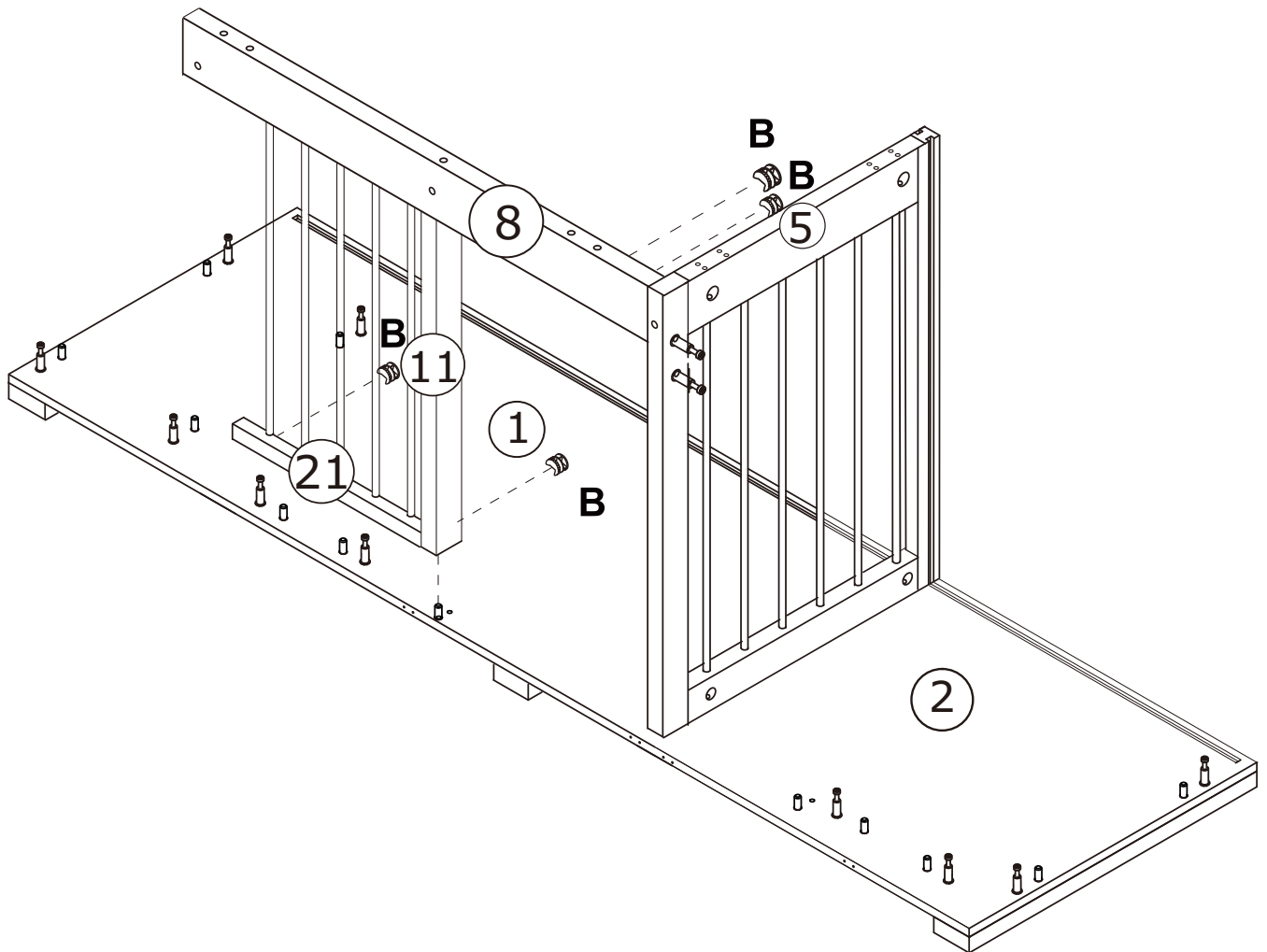
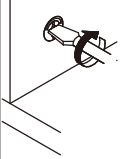
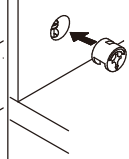
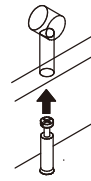


6

Bx4



Ø15x11mm



7

Bx4

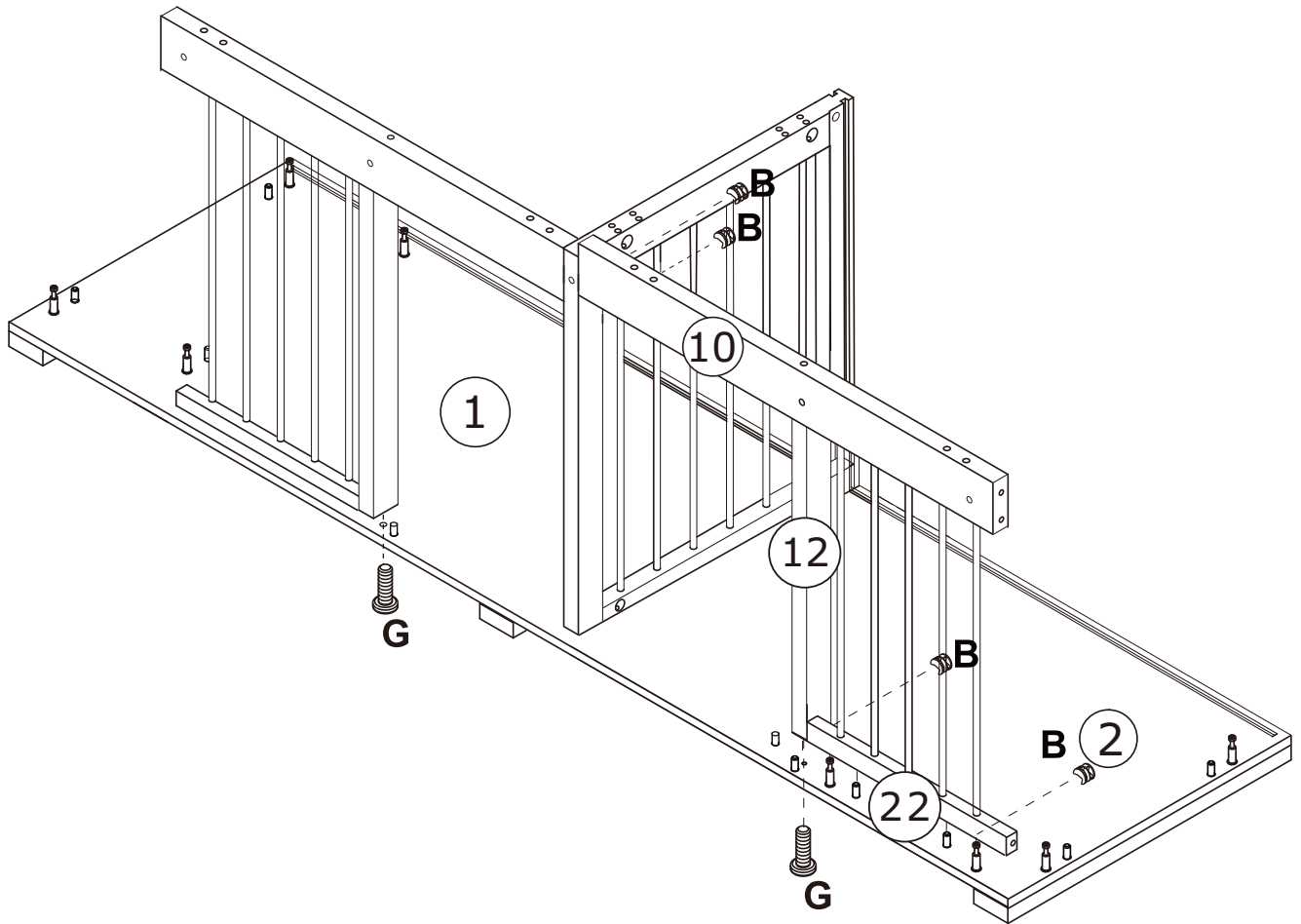
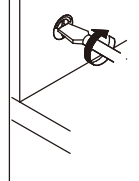
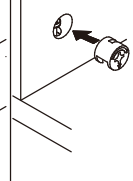
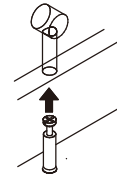


Ø15x11mm

Gx2



Ø6x25mm

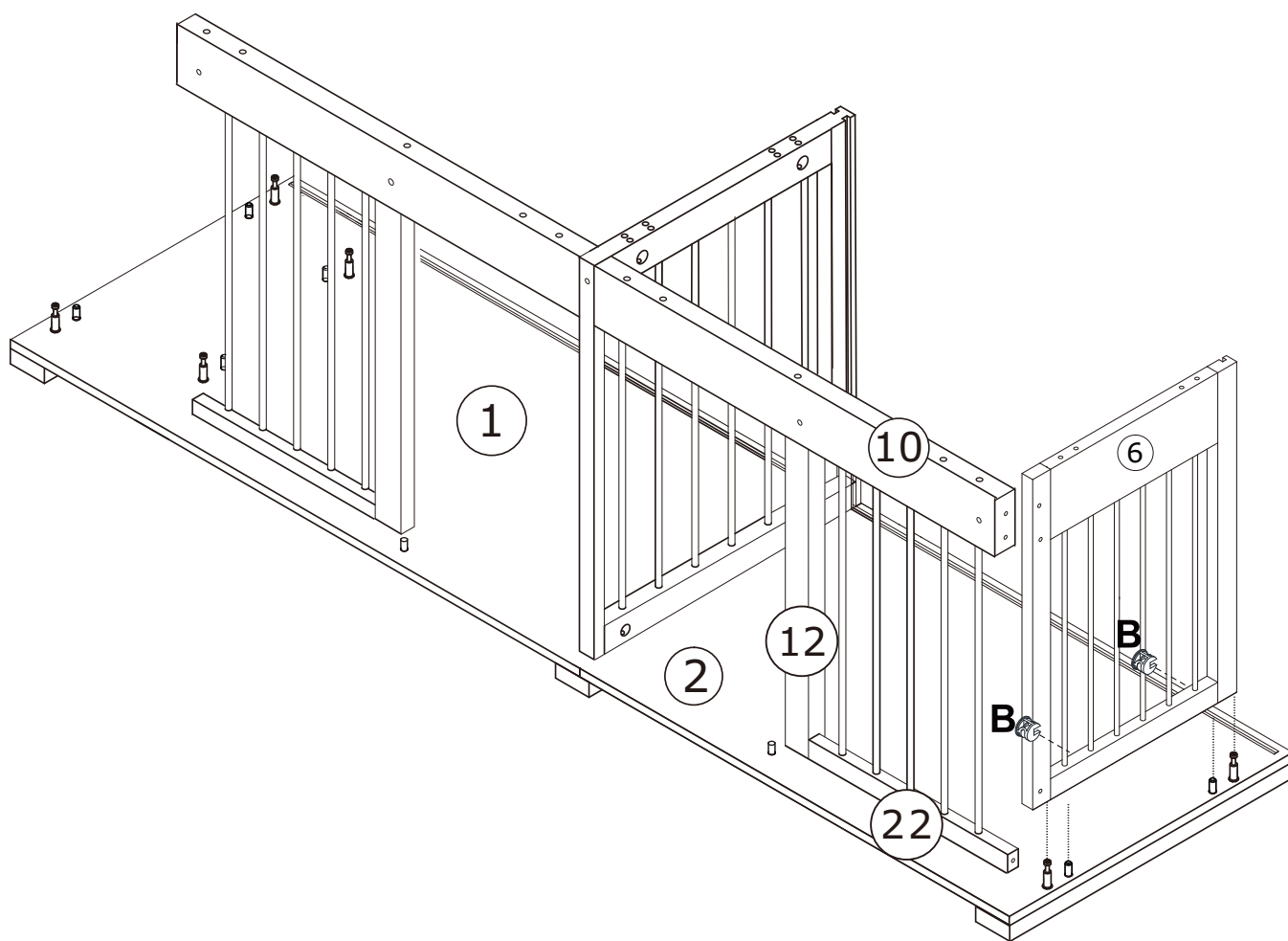
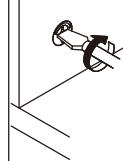
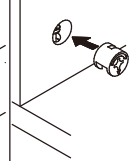
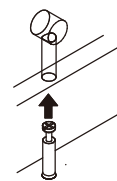


8


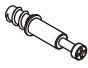
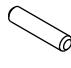

Bx2

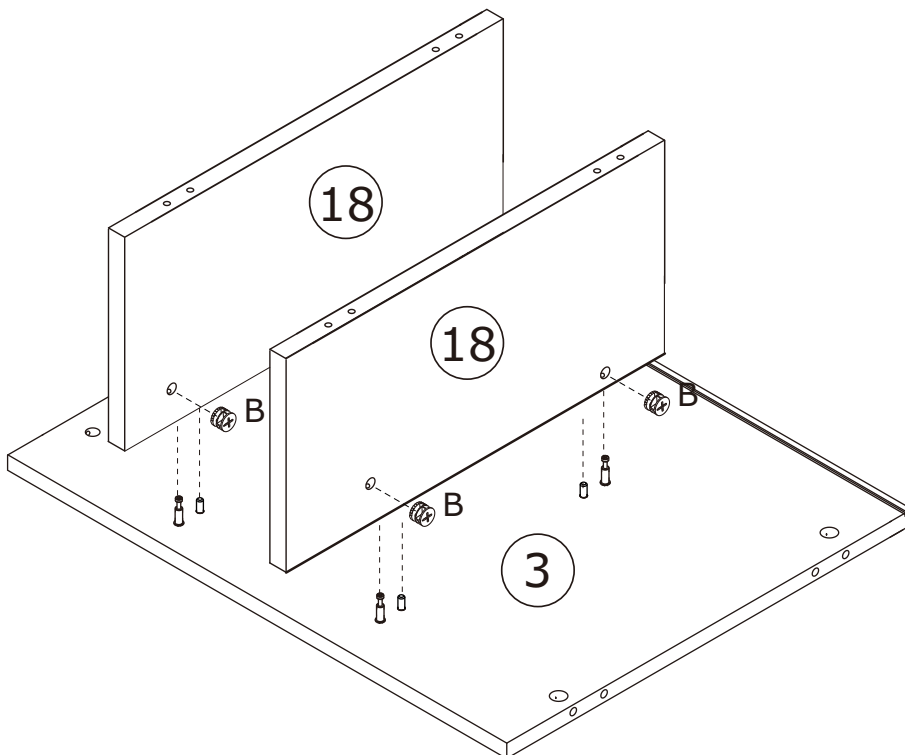
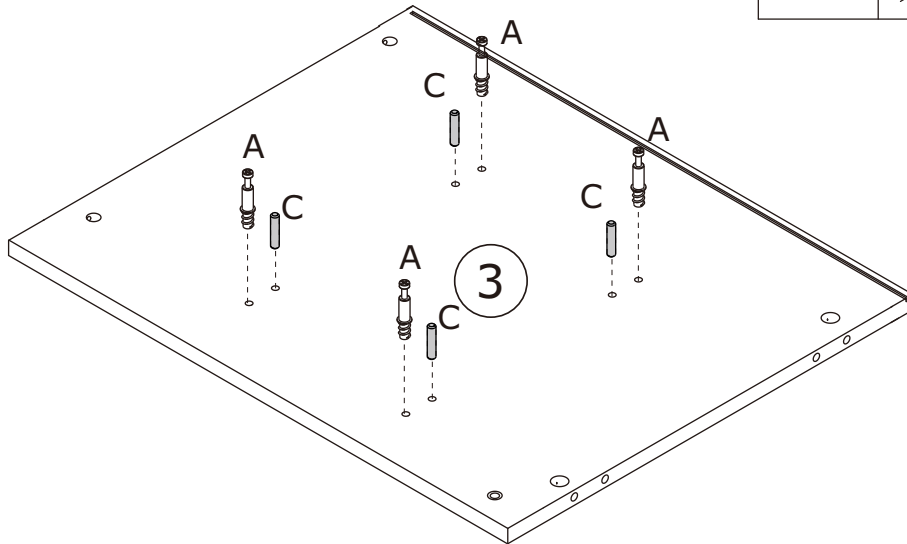
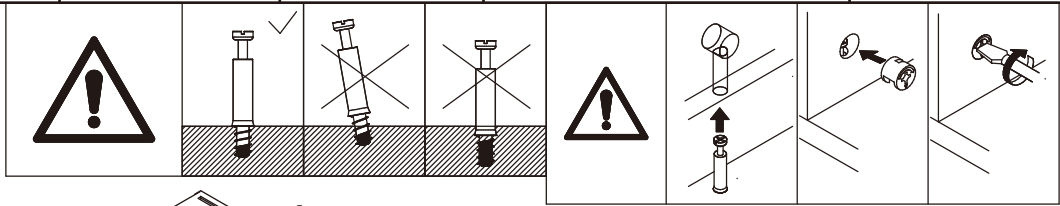


Ø15x11mm

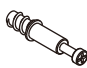
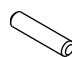




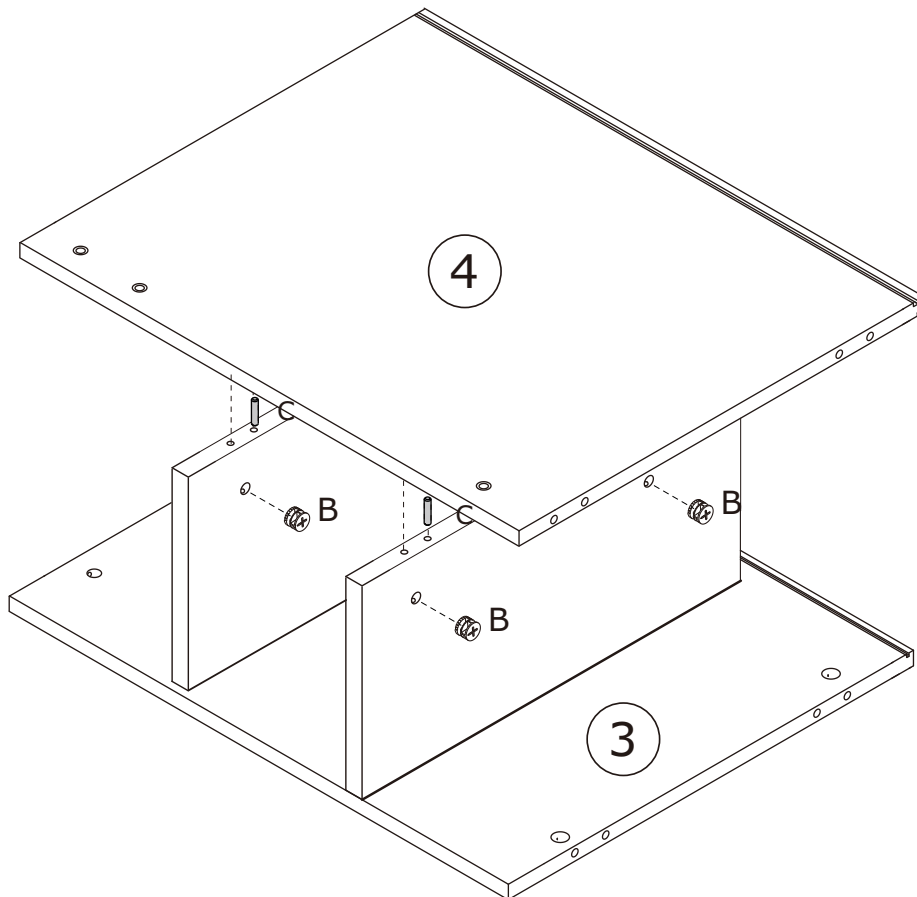
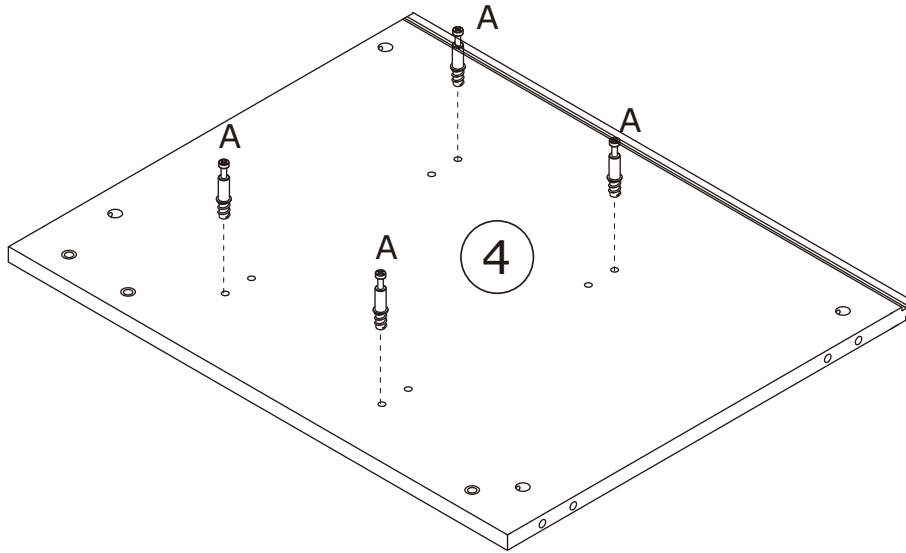
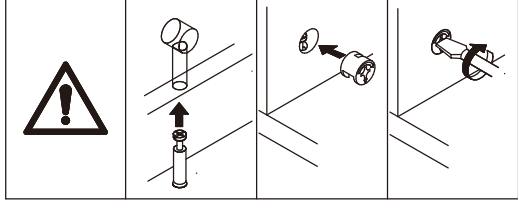
9

<p>Bx4</p>  <p>Ø15x11mm</p>	<p>Ax4</p>  <p>Ø5x31mm</p>	<p>Cx4</p>  <p>Ø8x30mm</p>	
--	---	---	---




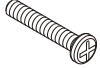
10

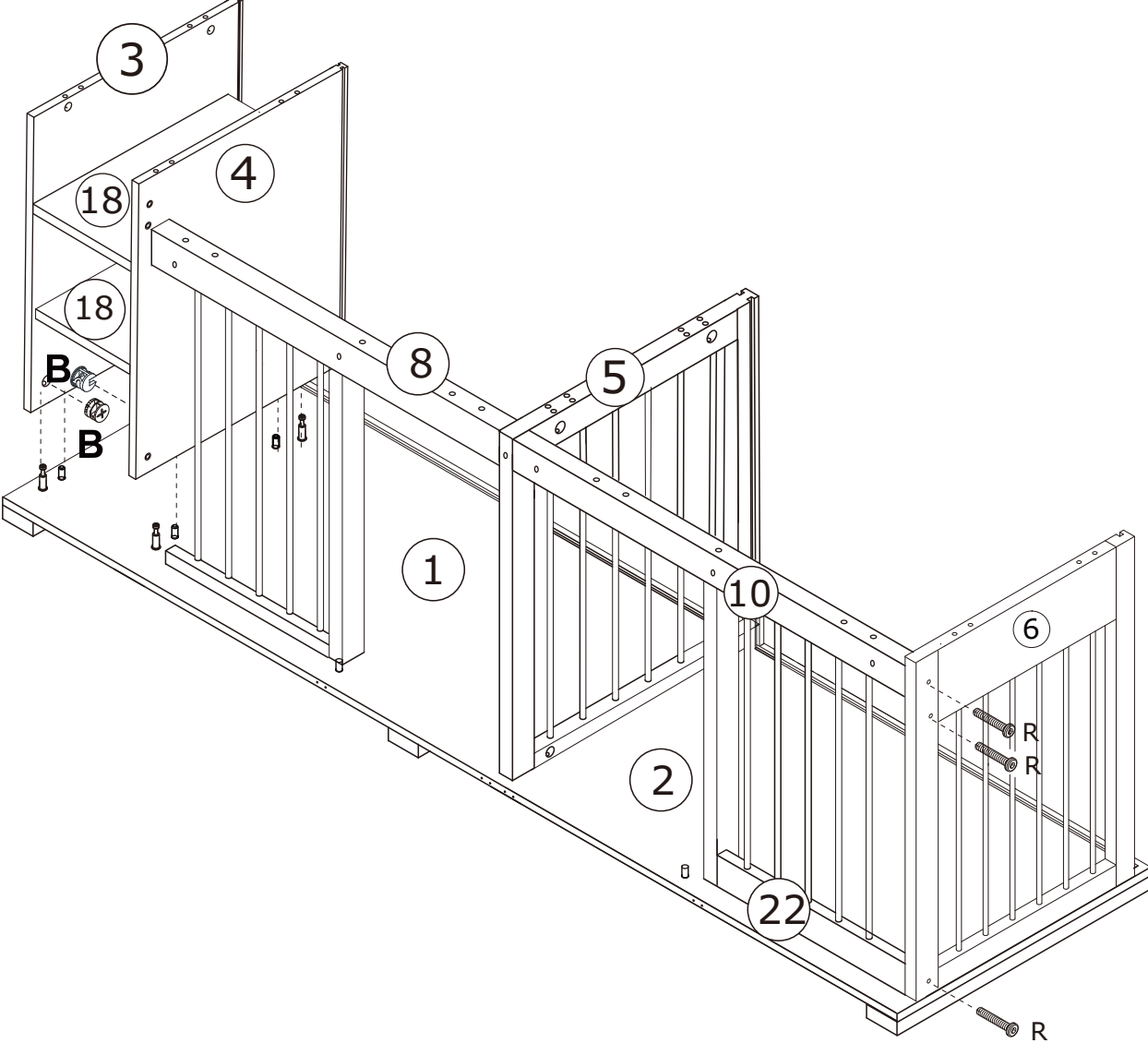
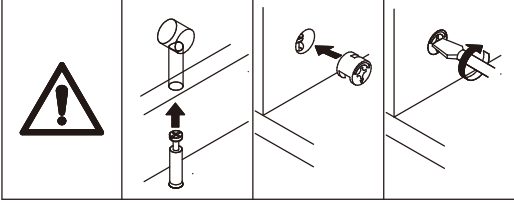
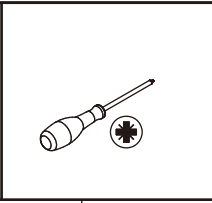
Ax4  Ø5x31mm	Cx4  Ø8x30mm	Bx4  Ø15x11mm		
---	---	--	--	---



11

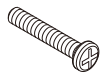
B x 4

Ø 15x11mm

R x 3

Ø 6x40mm

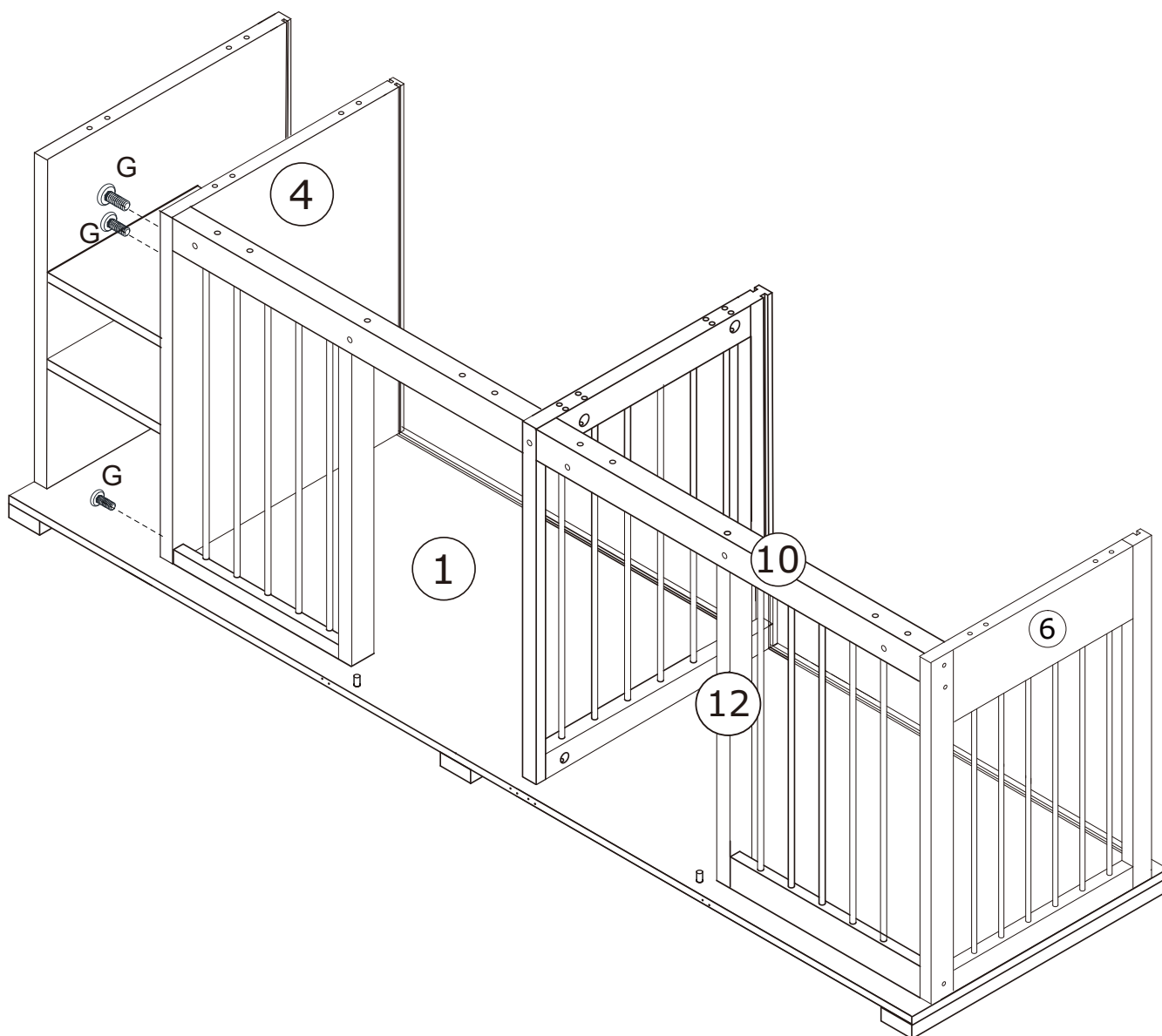


12

G x 3



Ø6X25mm

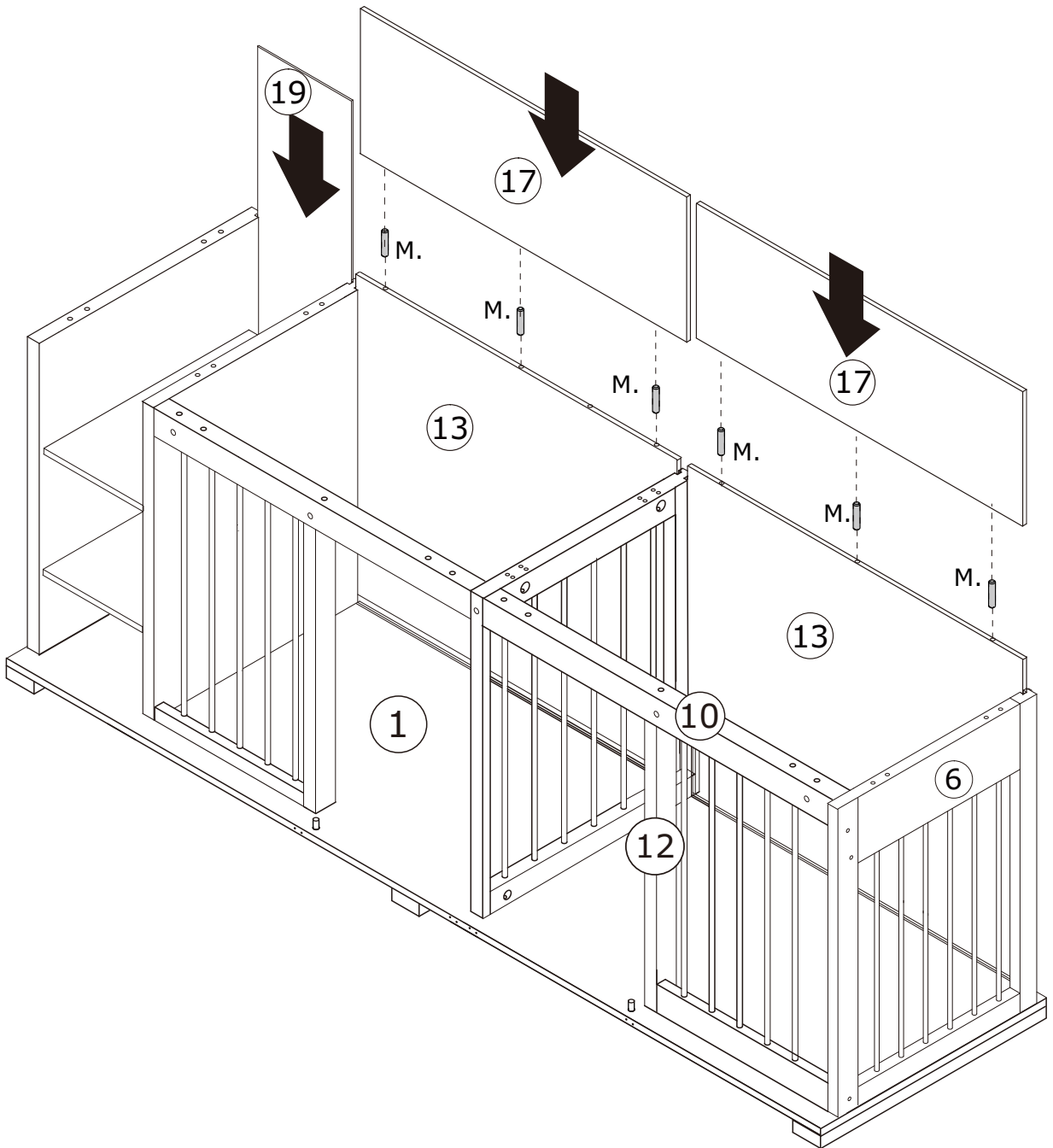
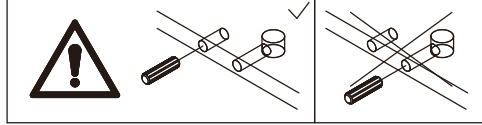


13

Mx6



∅6x30mm



14

Cx3

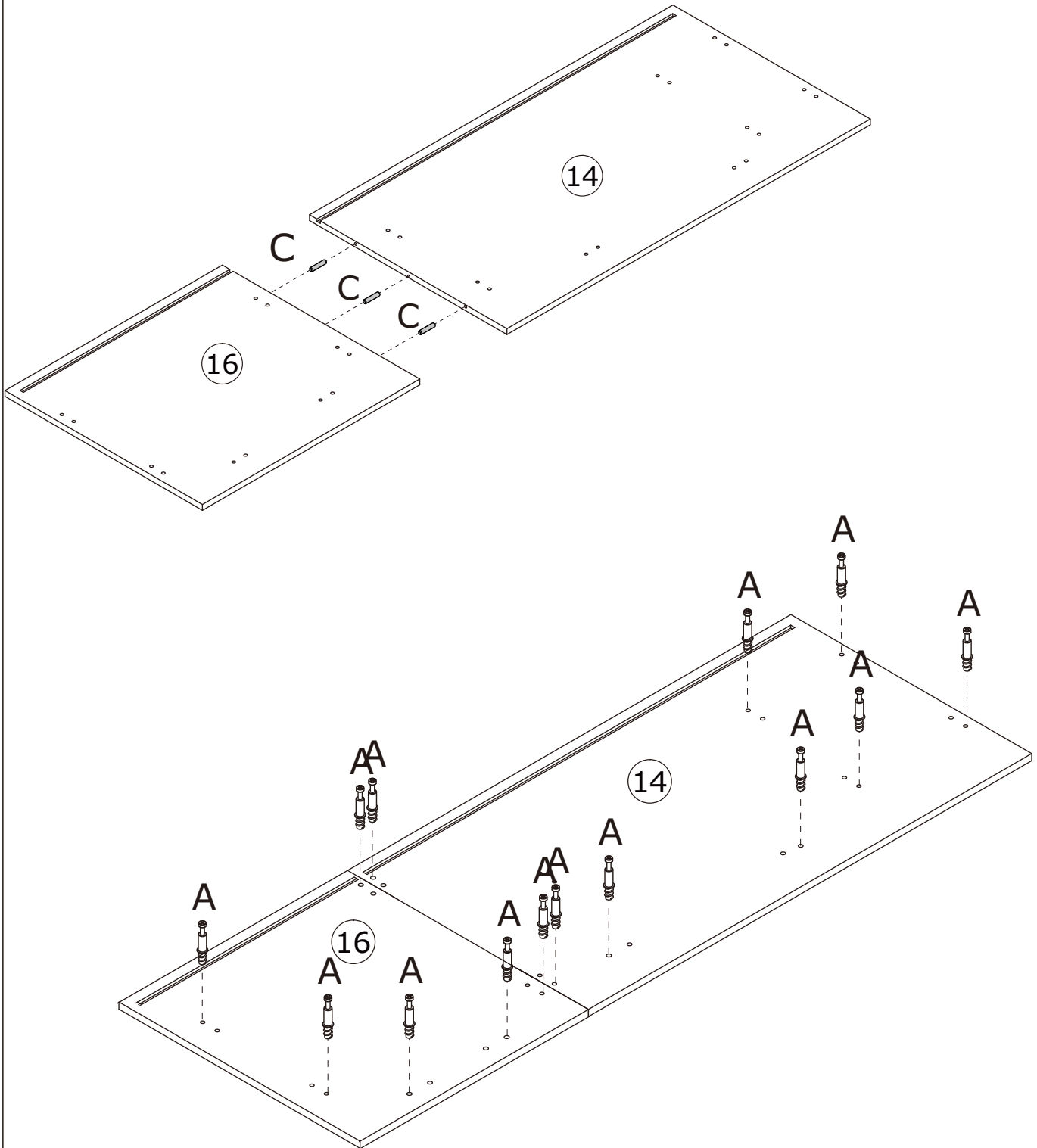
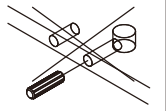
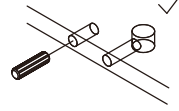
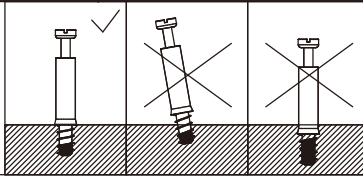
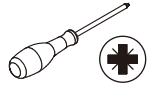


∅8x30mm

Ax14



∅5x31mm



15

Cx14

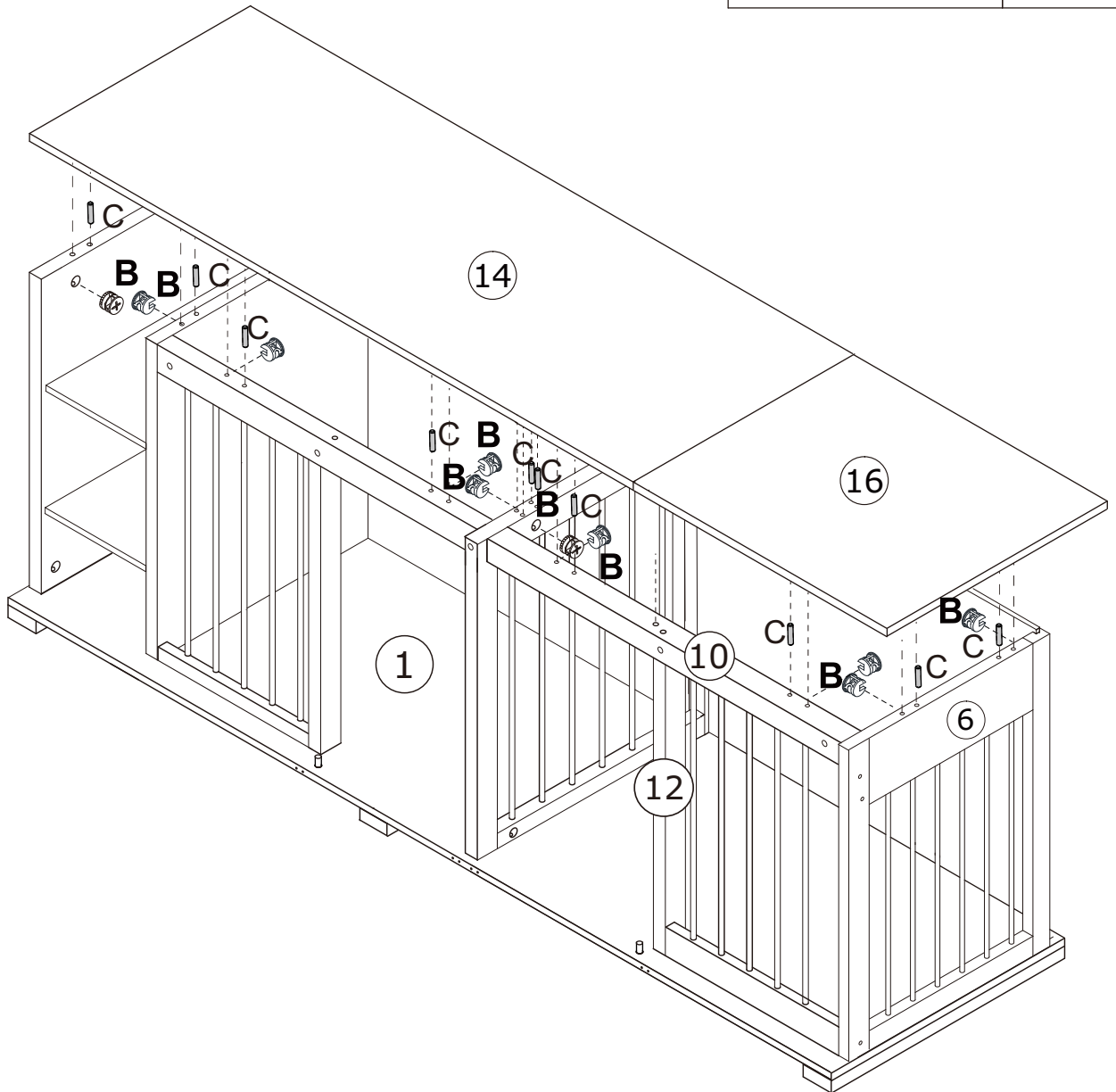
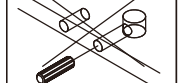
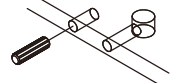
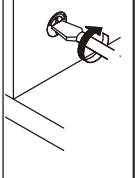
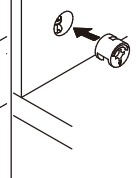
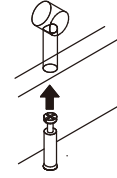
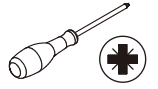


∅8x30mm

Bx14



∅15x11mm



16

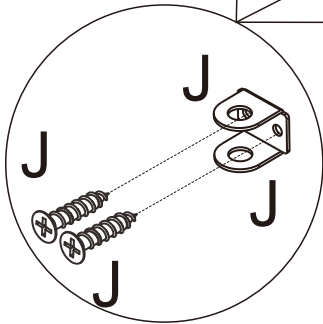
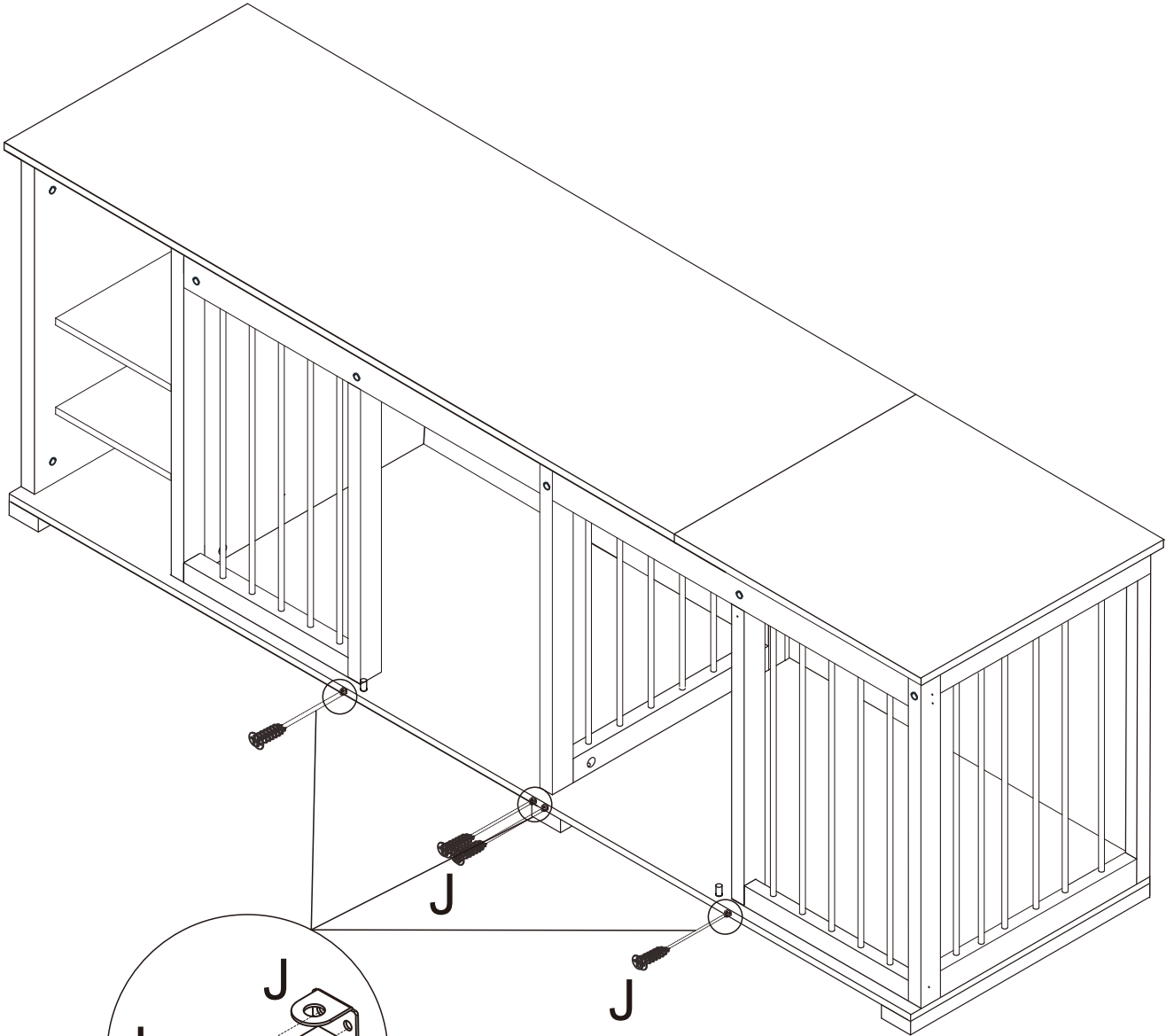
Jx4



Jx8



Ø 3.5x14mm

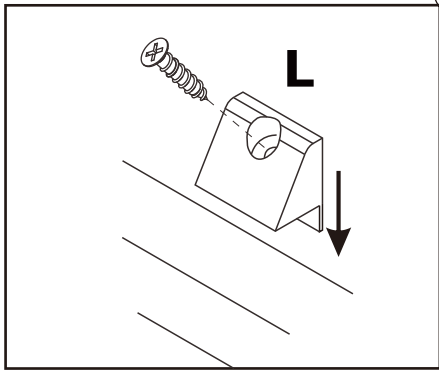
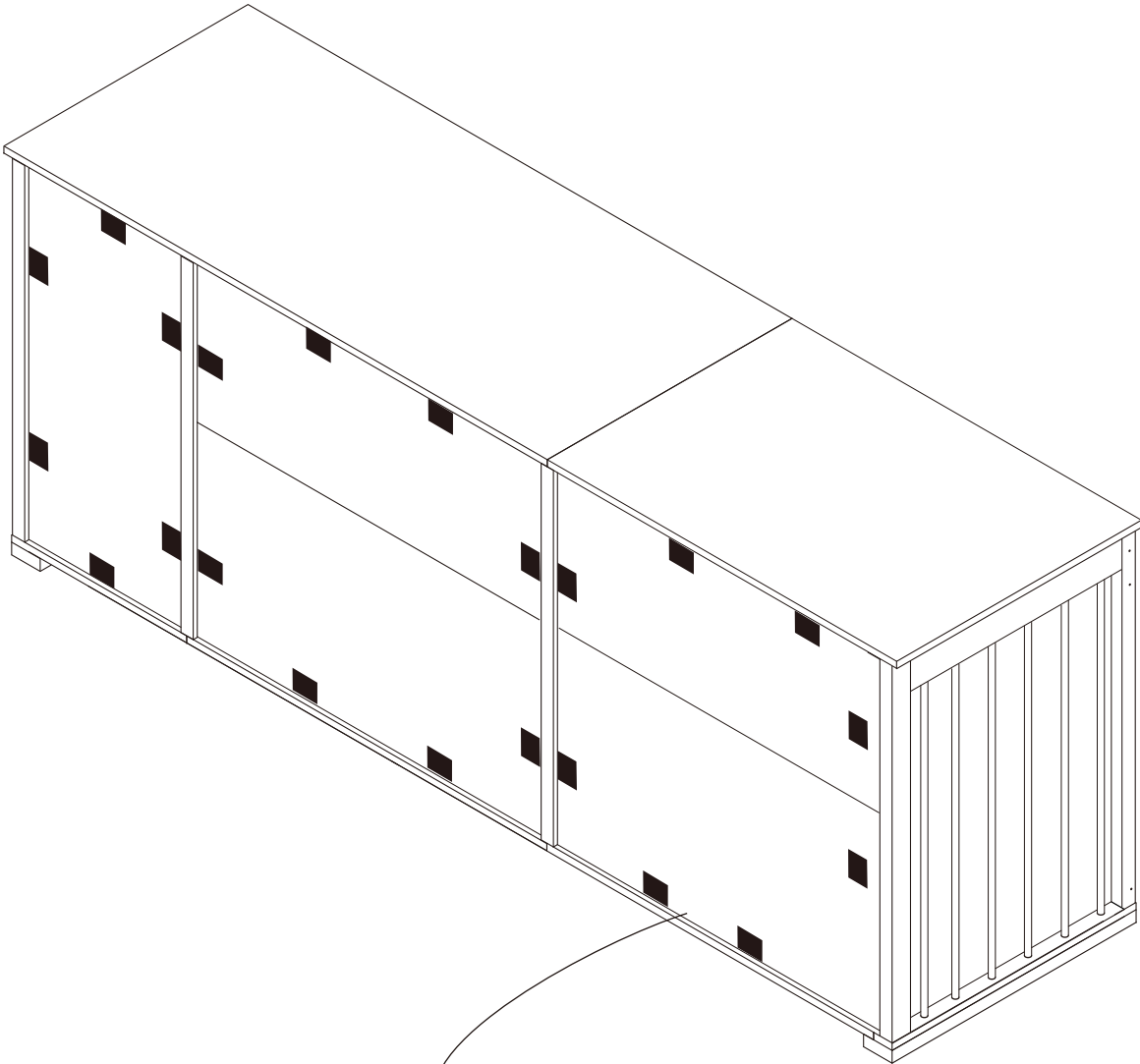
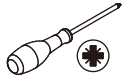


17

Lx22



Ø 3x12mm



18

F x 4



Ø 3.5x17mm

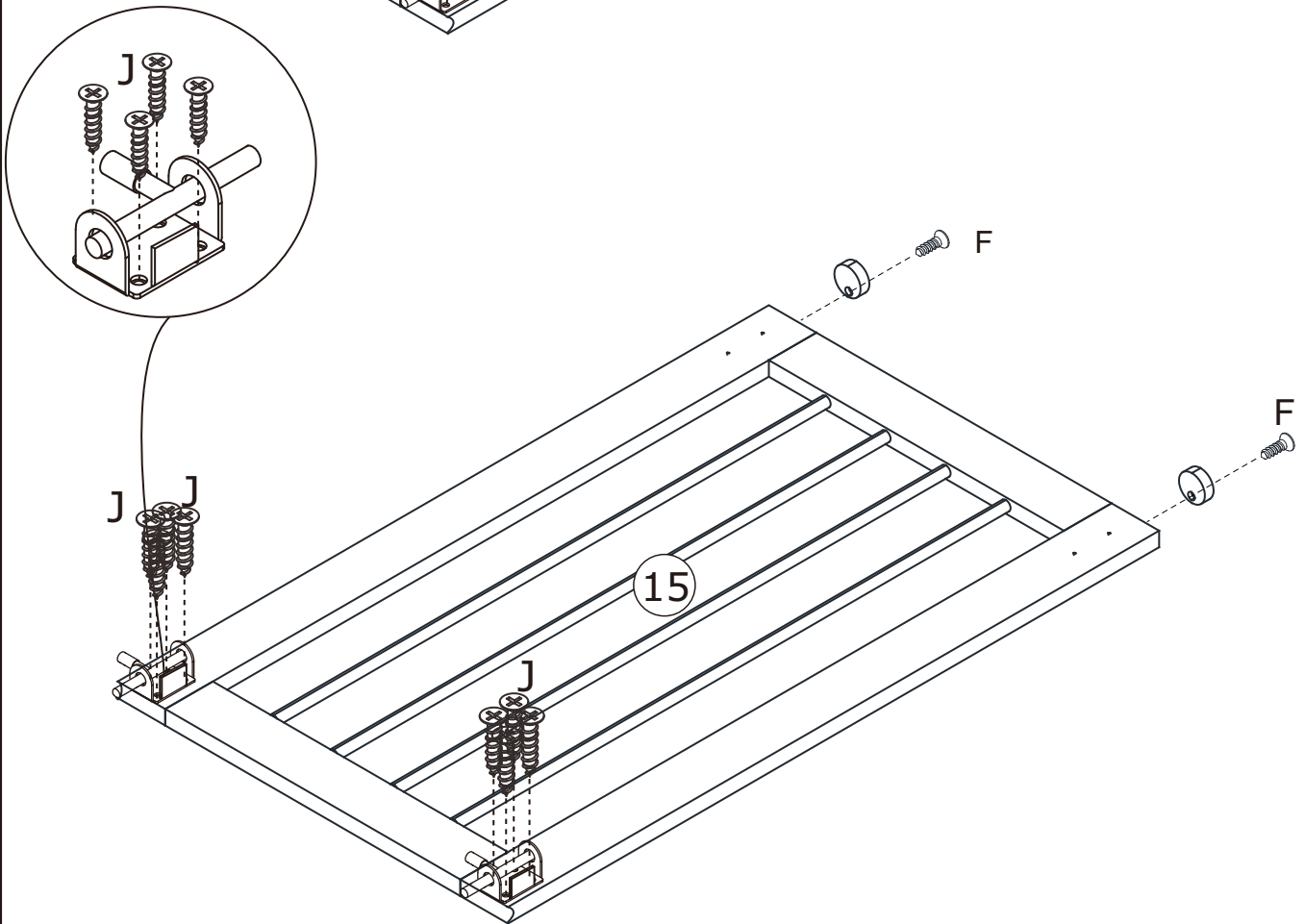
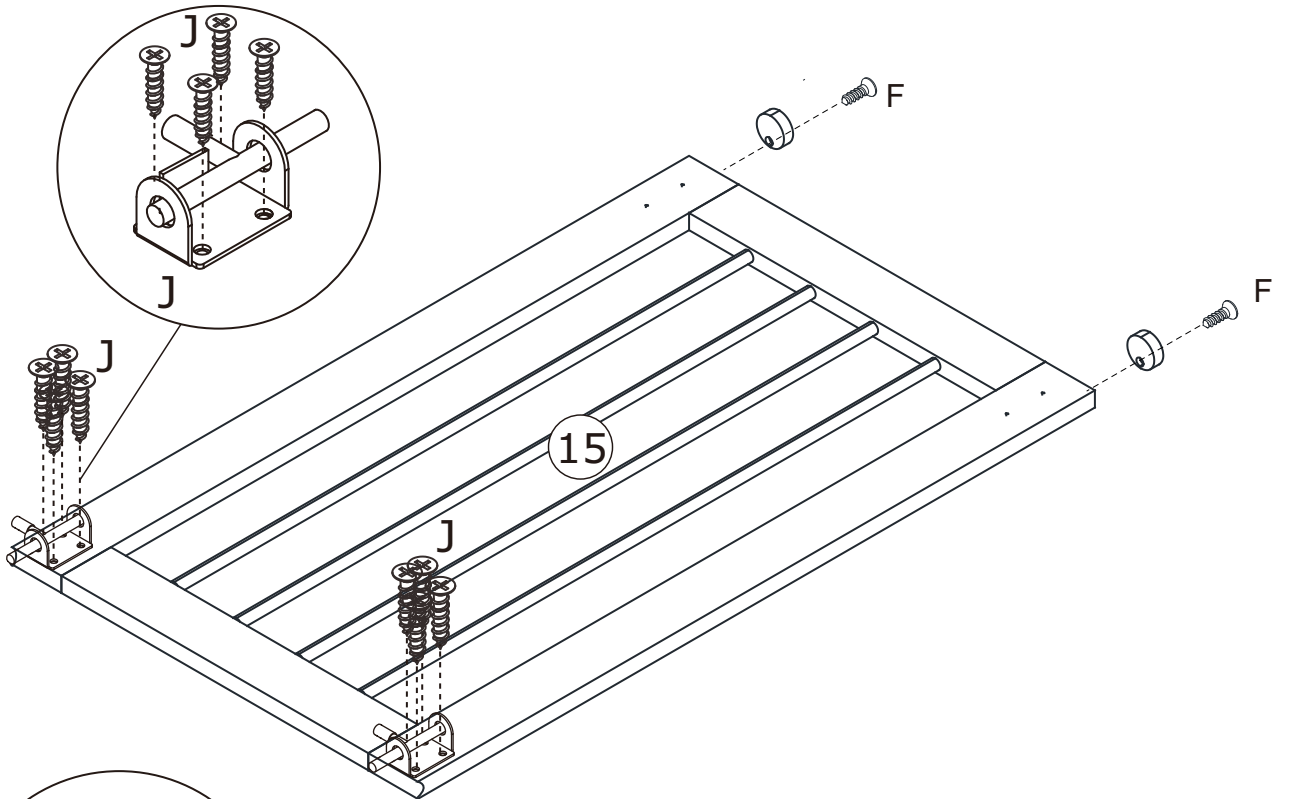
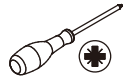
J x 4



J x 16



Ø 3.5x14mm



19

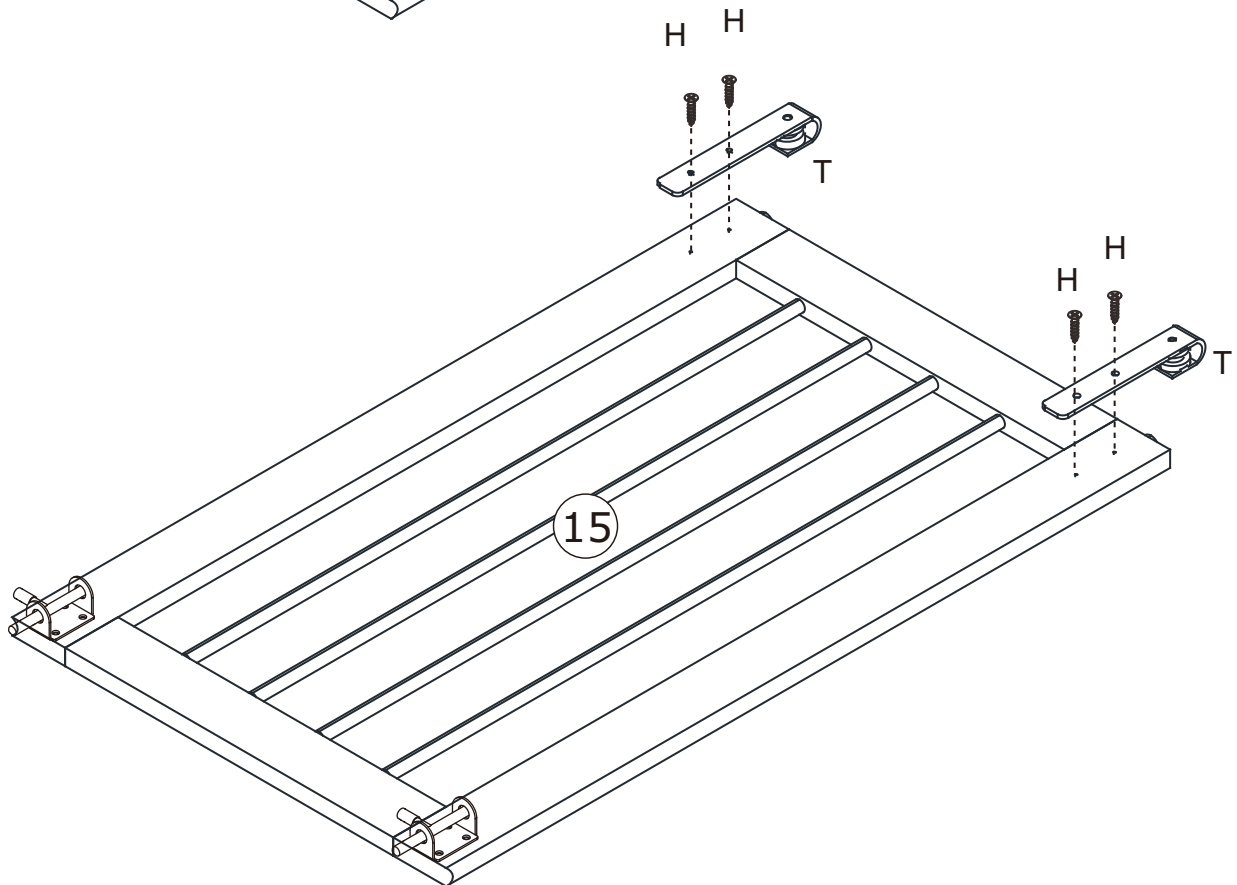
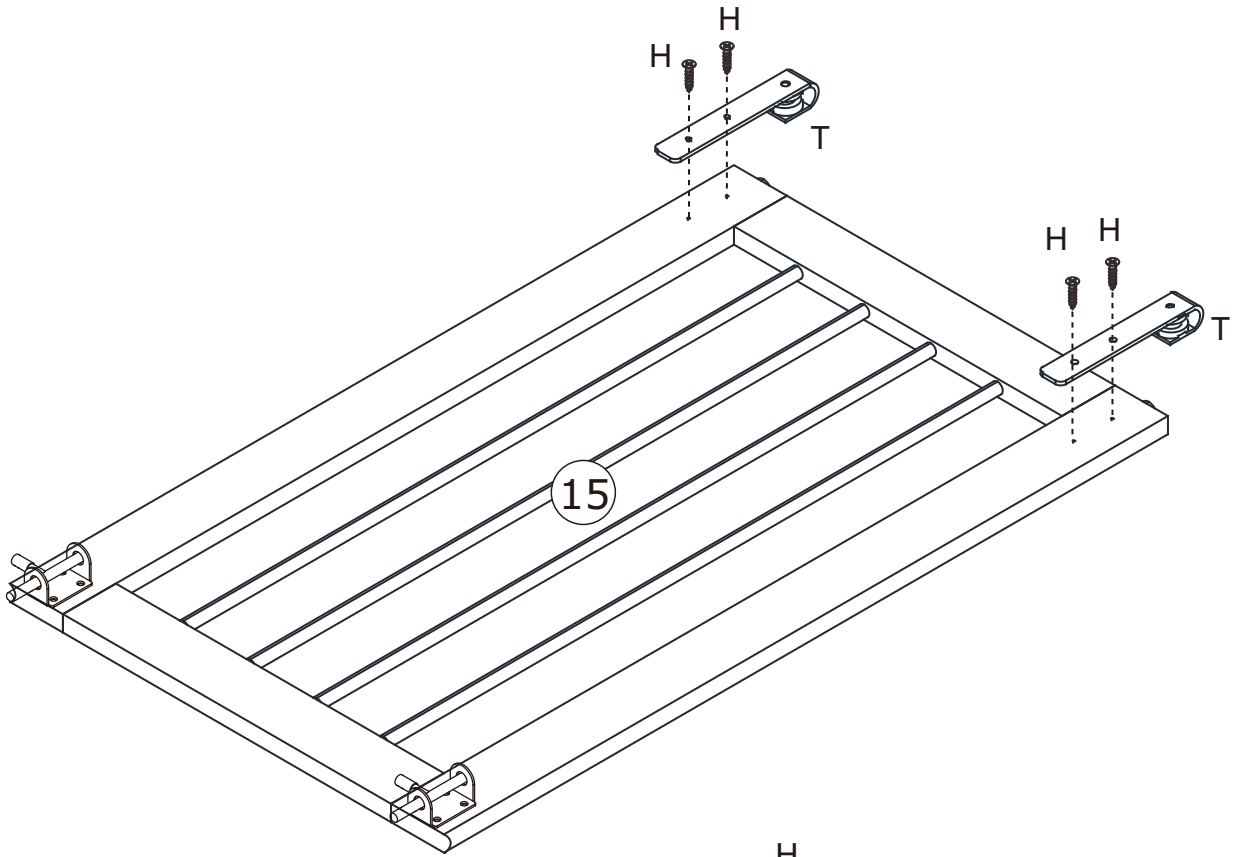
T x 4



H x 8



Ø 3.5x15mm



20

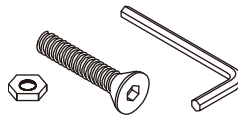
O x 1



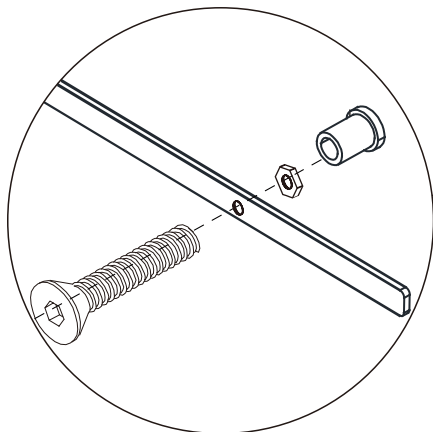
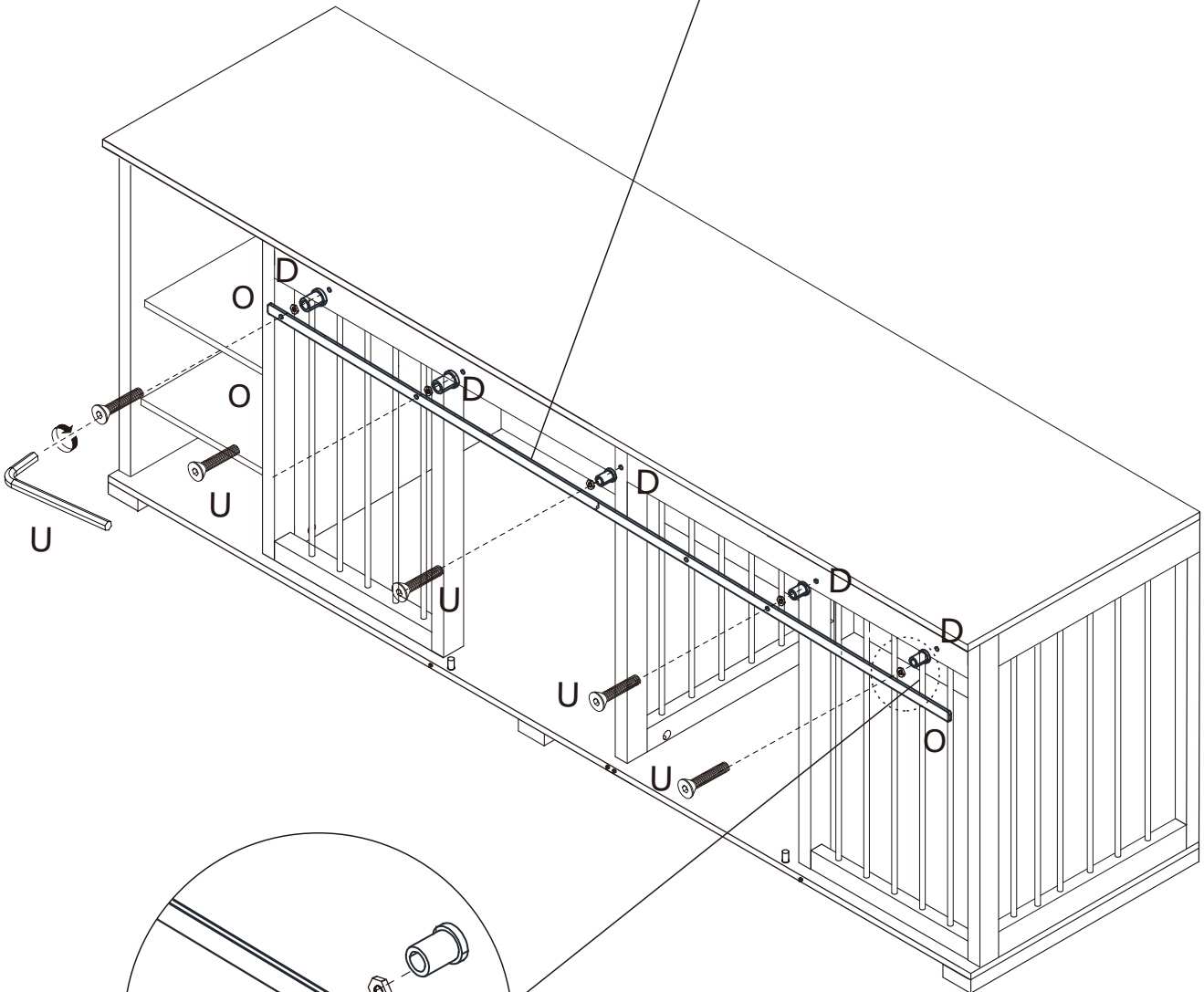
D x 5



U x 5

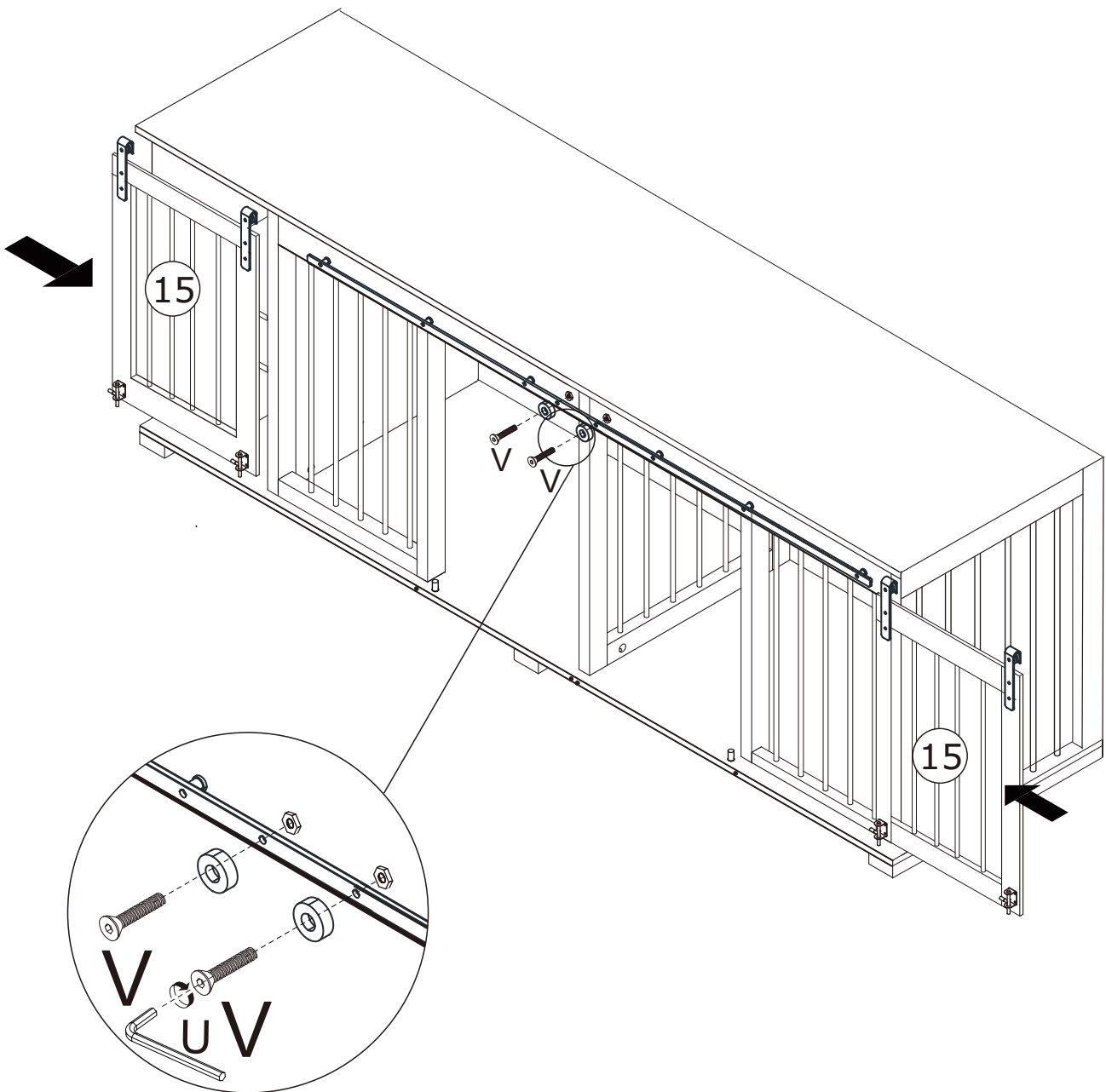
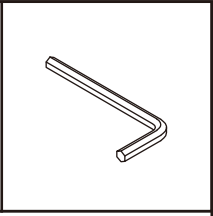


Ø6 x 40mm



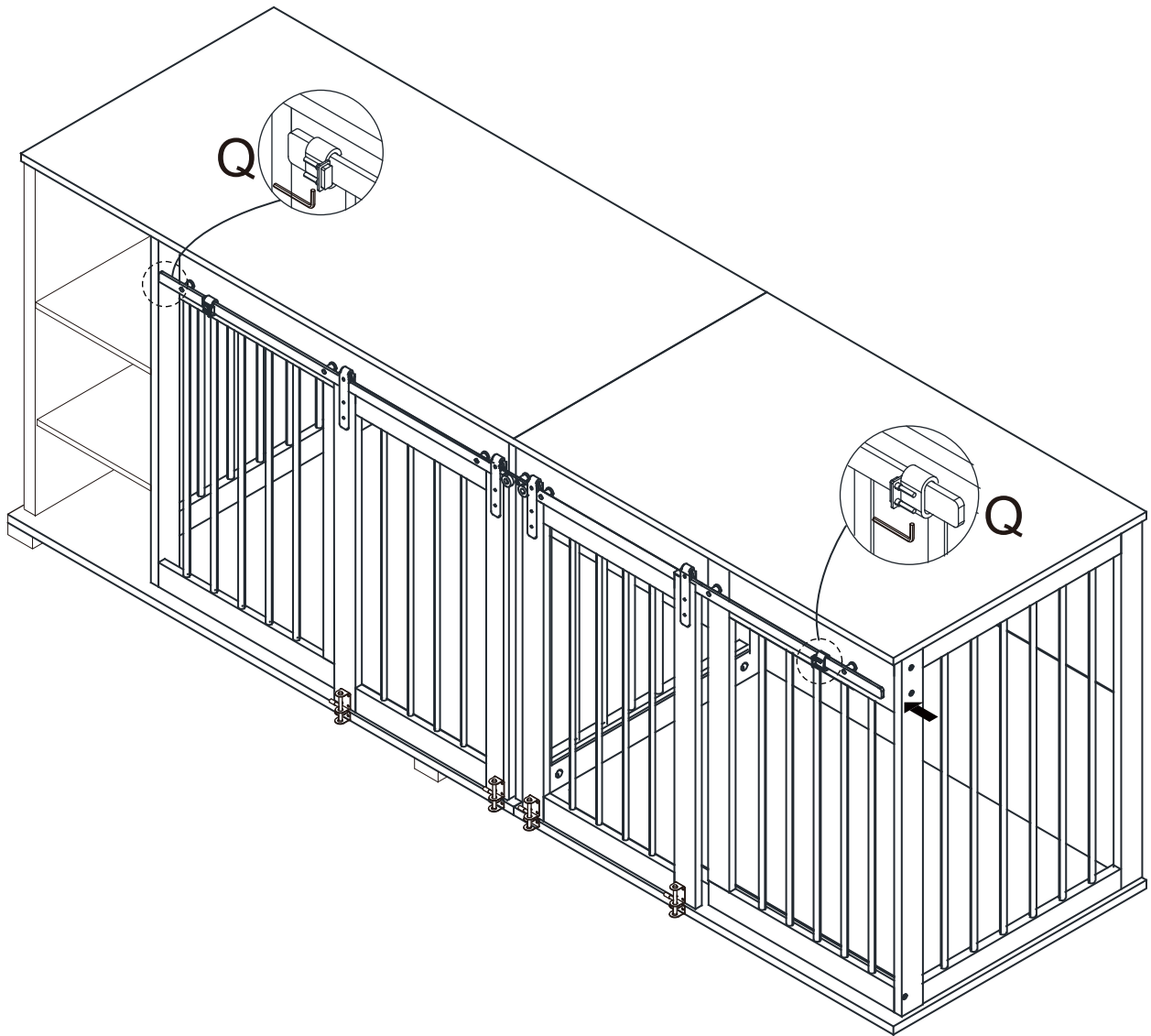
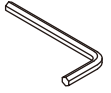
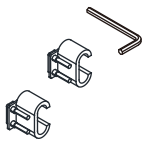
21

V x 2
Ø6 x 12mm



22

Q x 2

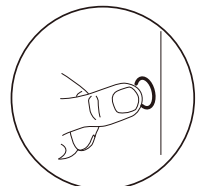
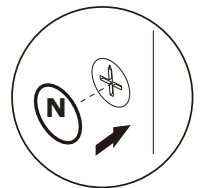
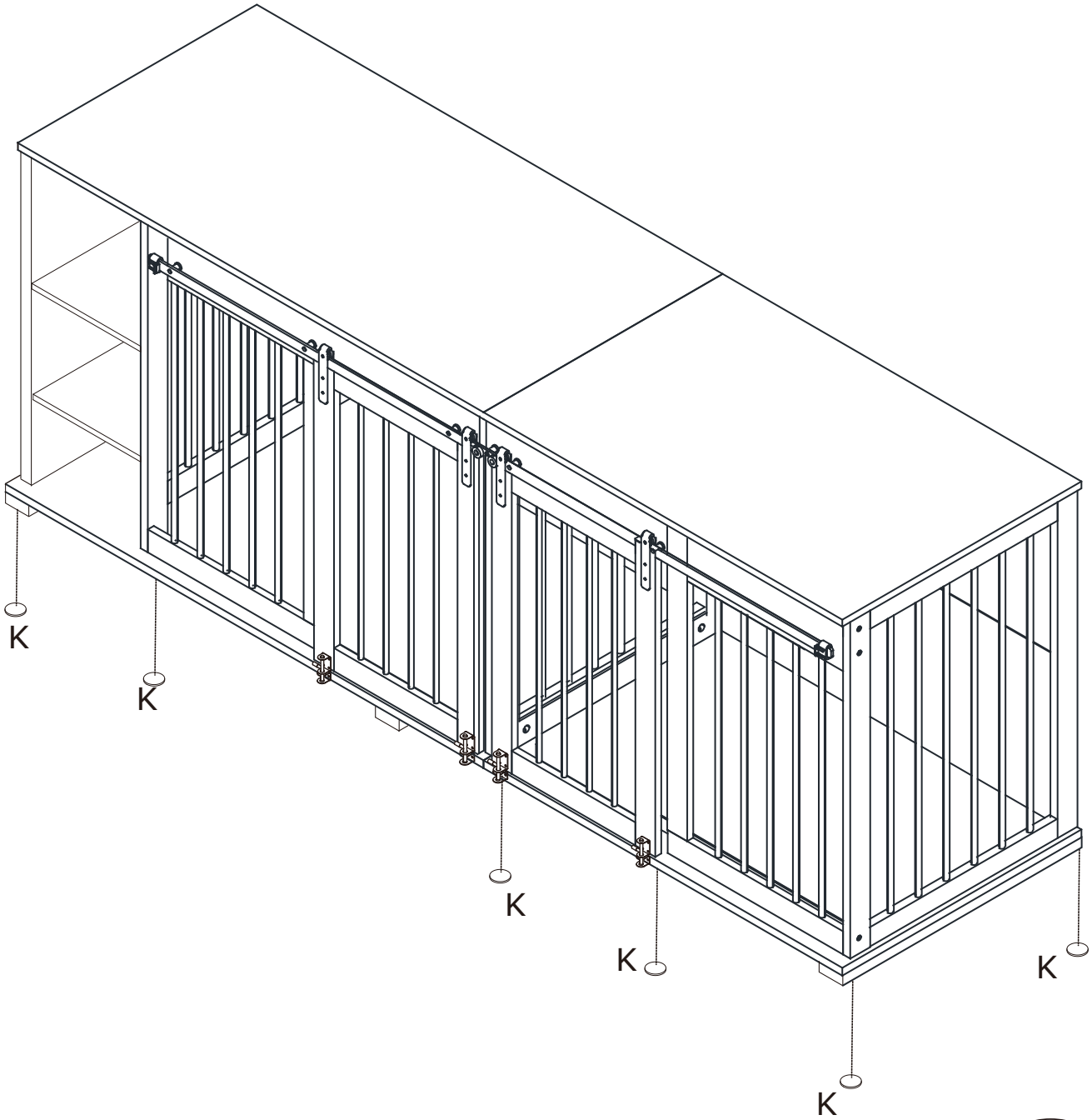
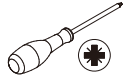


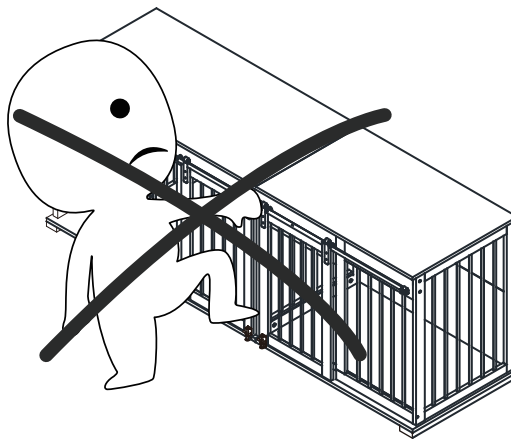
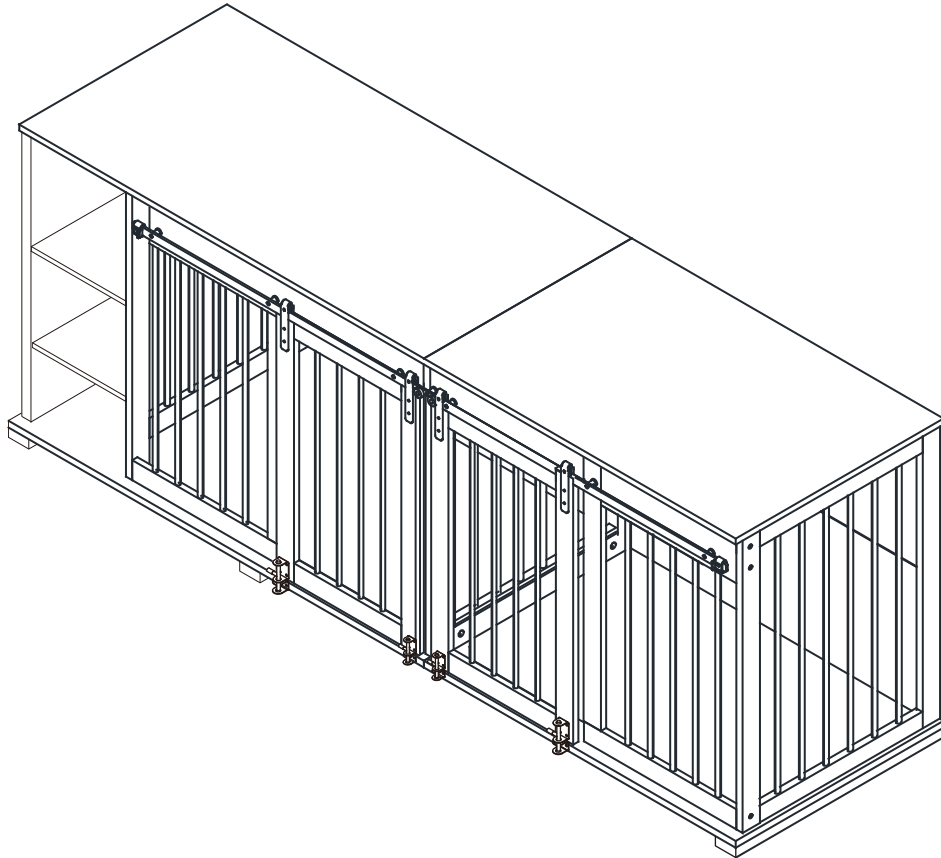
23

K. x 6



NX42





Serious or fatal crushing injuries can occur from furniture tip-over.
To further reduce the risk of serious injury and death from tip-overs:

Schwere oder tödliche Quetschverletzungen können durch Umkippen von
Möbeln auftreten.
Um das Risiko schwerer Verletzungen und Todesfälle durch Umkippen
weiter zu reduzieren.

WARRANTY

WARRANTY CLAIMS

- There is a 30-day warranty for broken furniture or any other problems that do not work properly. The warranty will start from the date of purchase which must be verified by proof of purchase.
- Before making a claim, we may be able to answer your query, simply call us. Please leave your purchase order number, along with some details of the problem, if you want a replacement part. We will arrange within 48 hours. If there is out of stock, we will reply with a shipping date.
- The product must be used in accordance with the instructions provided. For health reasons.
- For other reasons, if the furniture needs to be returned, it must be cleaned and dried and operated within 30 days of receipt.

Type of Warranty Claim

- Failure to follow the furniture instructions will invalidate the warranty. Attention please.
- Does not include damage during installation, but includes damage during transportation.

Scope of responsibility

- Shall not bear any responsibility for misuse or user damage and / or loss of parts during the installation of furniture.
- After using, the damage and scratches of the furniture are not covered by the warranty.

The Warranty Relates to All Bought in The Us and Covers The Following Areas

- Sheet parts: 1 month from the date of purchase.
- Electrical parts: 1 month from the date of purchase.

If you haven't received all your packages, wait for 3-5 more days as they may still be in transit Contact the seller or delivery service if the expected delivery date has passed and you haven't received any packages, and do so promptly to avoid further delays

Please note the product has 2 packages, and this is the package2

RETURNS

CHANGED YOUR MIND AND NEED TO RETURN YOU ITEM?

PLEASE FOLLOW THE BELOW INSTRUCTIONS:

- If you have purchased and have simply changed your mind, follow the retailer's instructions for returns.

DEFECTIVE ITEMS

- If your item is defective in any way, i.e. it doesn't work but you can't identify why, in the first instance, please call us.

DAMAGED ITEMS

- If you receive an order with obvious shipping damage from the retailer, then we suggest the delivery is refused. If the delivery has been accepted and then shipping damage is found, please follow the specific instructions advised by the retailer. In all circumstances please save all packaging material and paperwork for the order. Please be aware that if you dispose of packaging material or attempt to return the merchandise without contacting the fulfiller, you jeopardise your chances of making a claim, and you may not receive a credit for the return.