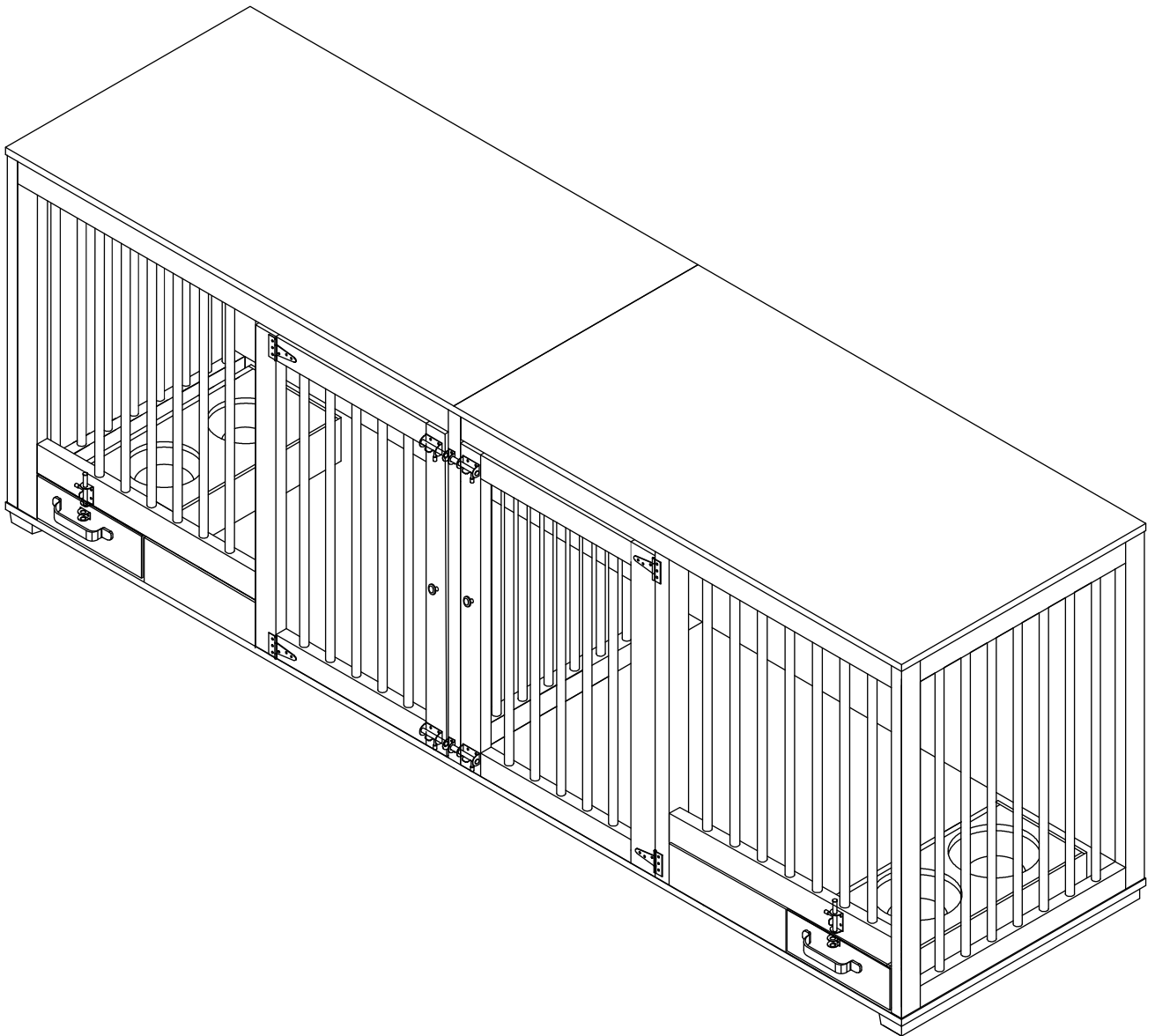
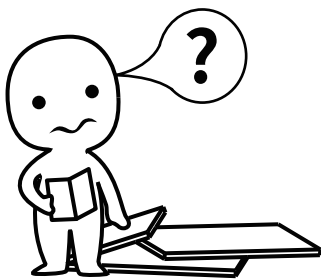


PRODUCT INSTRUCTION

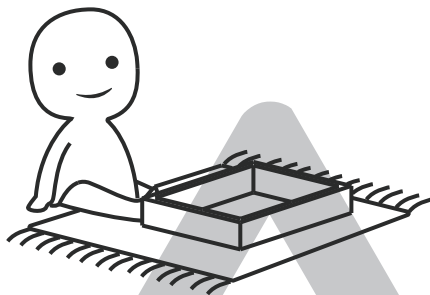
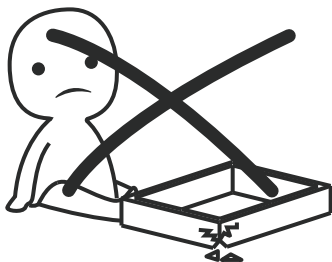
KF150170-01





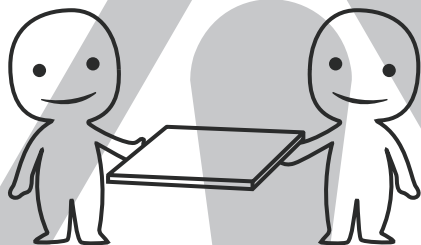
IMPORTANT INFORMATION!

please read the entire manual before starting to assemble and/or using this product. follow the manual thoroughly and keep it for further reference.



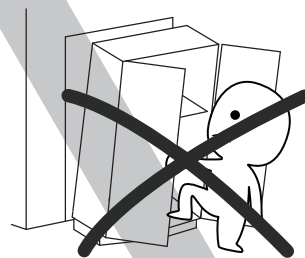
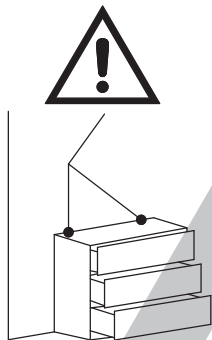
AVOID SCRATCHES!

In order to avoid scratching this furniture should be assembled on a soft layer- could be a rug.



IMPROVE EFFICIENCY !

Try to find a partner to install with you, which can speed up the installation efficiency and shorten the time.



ANTI-TOPPLE WARNING !

Overturned furniture can cause serious or fatal crush injuries. To prevent tipping over, be sure to use the wall attachment, if not included with this product. Please purchase the wall attachment that fit your wall. If unsure, seek professional advice. Please read and follow each step of the instructions carefully.

IMPORTANT !

It is important that any product which is assembled using any kind of screw is re-tightened 2 weeks after assembly, and once every 3 months - in order to assure stability through-out the lifespan of the product.

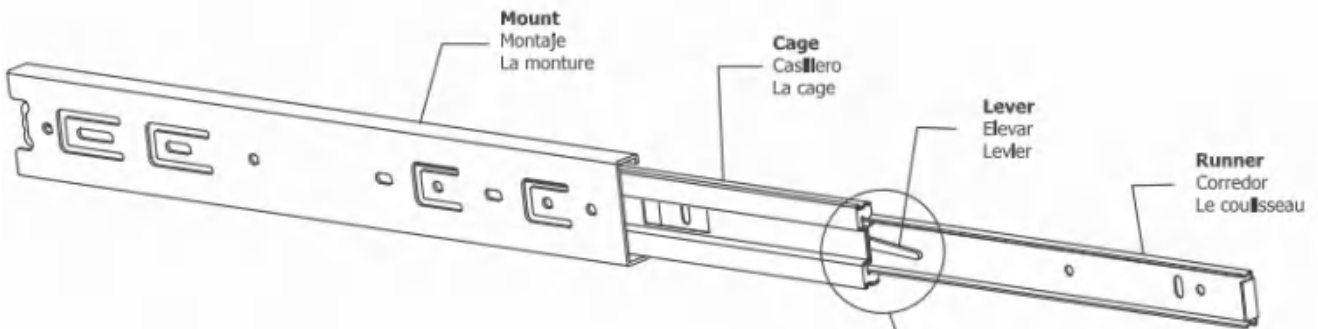
For regular maintenance and cleaning of the product, for the frame, please use a rag dipped in neutral detergent to fully wipe it, and then dry it with a clean rag. For glass materials, wipe with a rag dampened with water glass cleaner, and then dry with a dry rag.

Do not use an electric screwdriver, and do not use too much force when installing, because the board is easy to break.

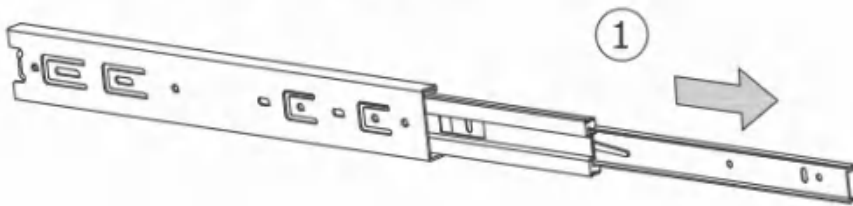
**Slides Must Be Separated Before Assembly.
After Separated, Set Aside Until Needed for Assembly.**

Las diapositivas deben separarse antes del montaje.
Después de la separación, déjelo a un lado hasta que sea necesario.

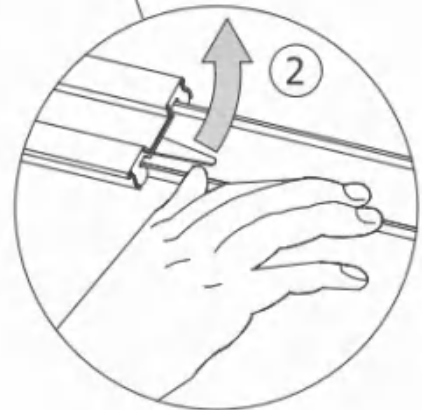
Les glissières doivent être séparées avant l'assemblage.
Après la séparation, mettez de côté jusqu'au moment de l'assemblage.



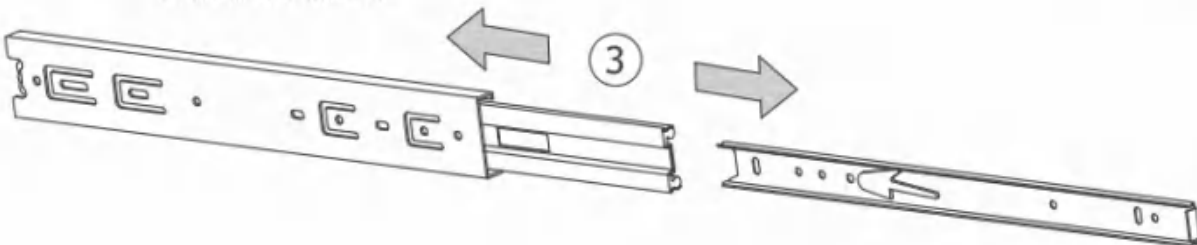
STEP 1: Extend Slide
Extender la diapositiva
Extendre la diapositive

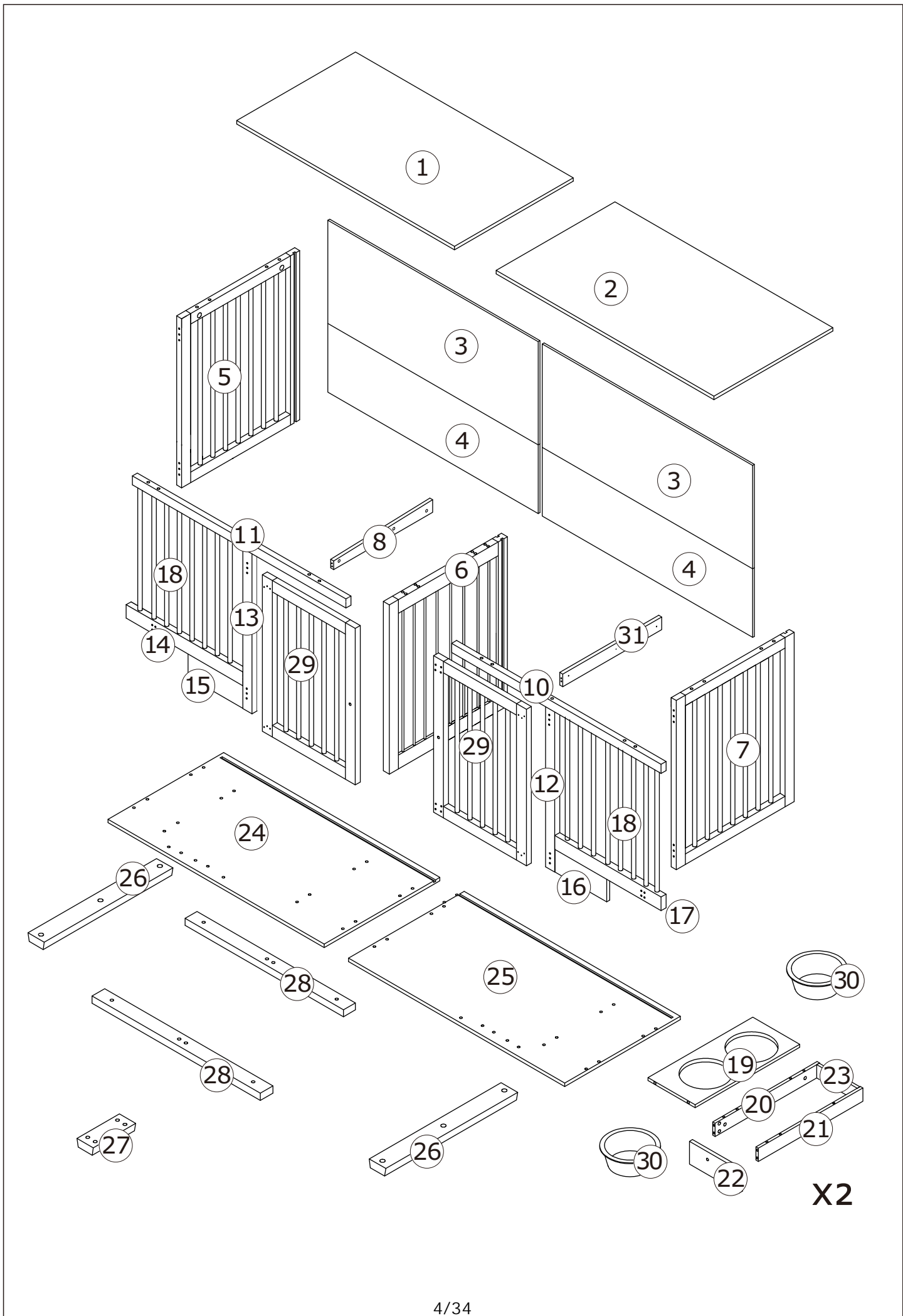


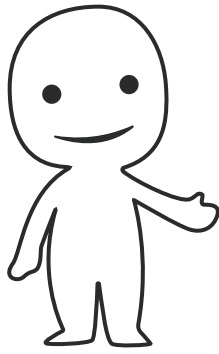
STEP 2: Push Lever UP
Empujar hacia arriba
Levier le levier



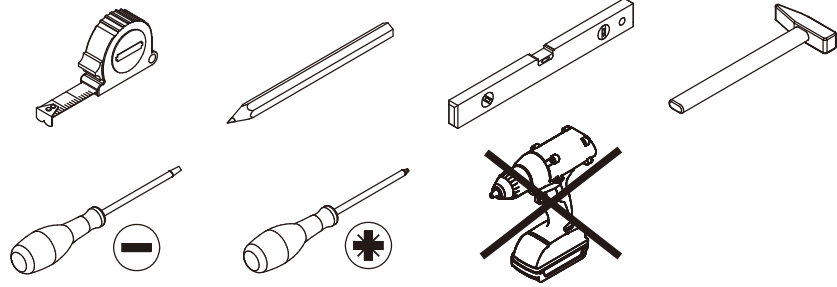
STEP 3: Remove Runner
Quitar el corredor
Enlever le coureur







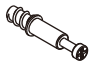
Please prepare the following tools




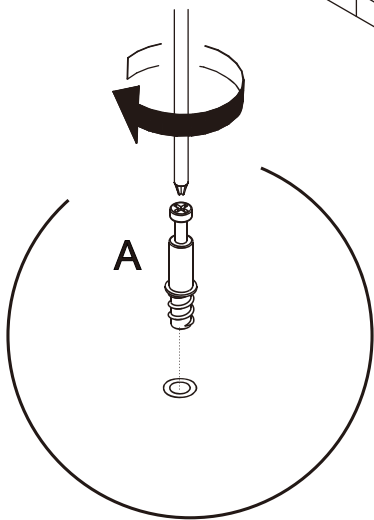
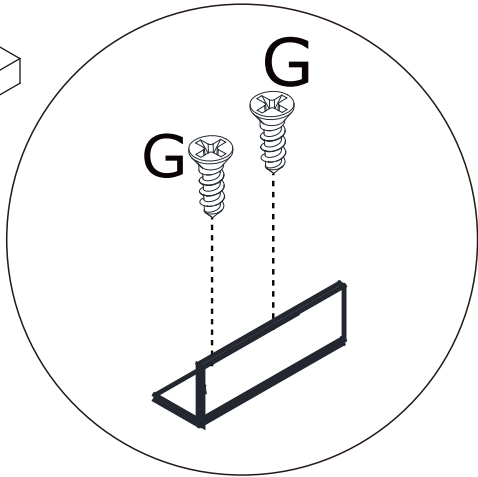
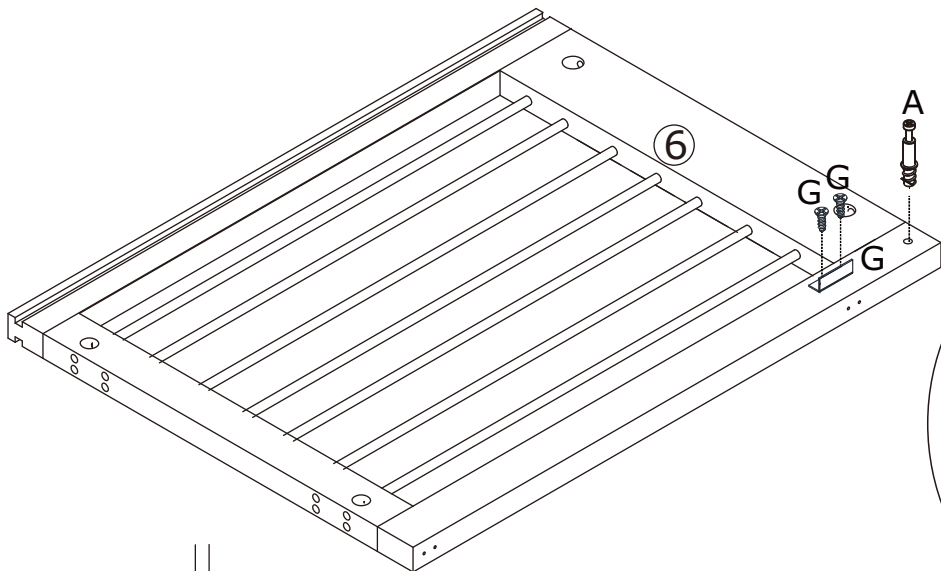
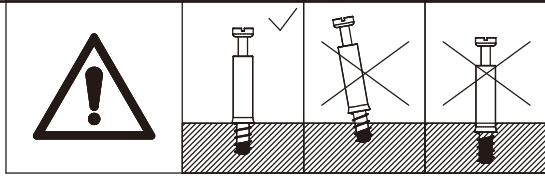
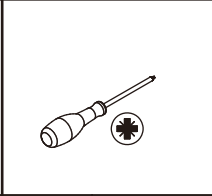
When installing, please carefully confirm whether each screw corresponds to the manual, accessories with similar shapes can be distinguished by size

<p>A x 78</p> <p>∅ 5 x 31 mm</p>	<p>B x 42</p> <p>∅ 15 x 11 mm</p>	<p>C x 36</p> <p>∅ 15 x 9.5mm</p>	<p>D x 40+4</p> <p>∅ 8 x 30mm</p>	<p>E x 6</p> <p>∅ 6 x 30mm</p>
<p>F x 2</p> <p>∅ 6 x 25 mm</p>	<p>G x 2</p> <p>∅ 3x12 mm</p>	<p>H x 24+4</p> <p>∅ 3 x 12mm</p>	<p>J x 4</p> <p>L=500mm</p>	<p>K x 4</p> <p>∅ 3 x 12mm</p>
<p>L x 6</p> <p>∅ 3.5 x 14mm</p>	<p>Mx22+2</p> <p>∅ 6 x 35 mm</p>	<p>N x 2</p> <p>∅ 4 x 18mm</p>	<p>P x 2</p> <p>∅ 4 x 28mm</p>	<p>Q x 2</p> <p>∅ 6x60mm</p>
<p>R x 8</p> <p>∅ 3 x 12mm</p>	<p>S x 82+5</p> <p>∅ 3 x 12mm</p>	<p>Z x 1</p>	<p>White nut</p> <p>X3</p>	

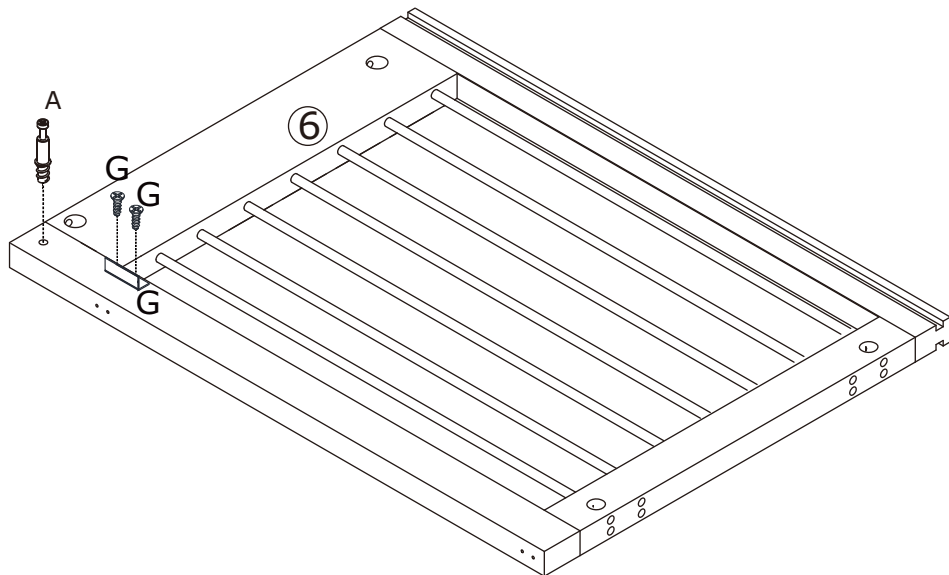
1

Ax2

Ø5x31mm

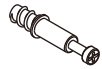
Gx2

Ø3x12mm




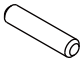
180°

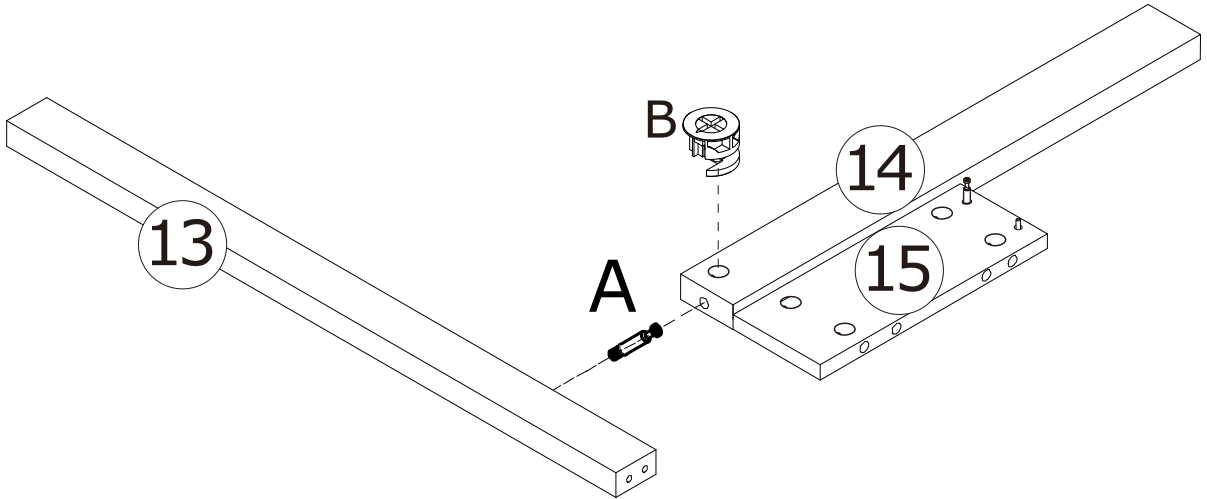
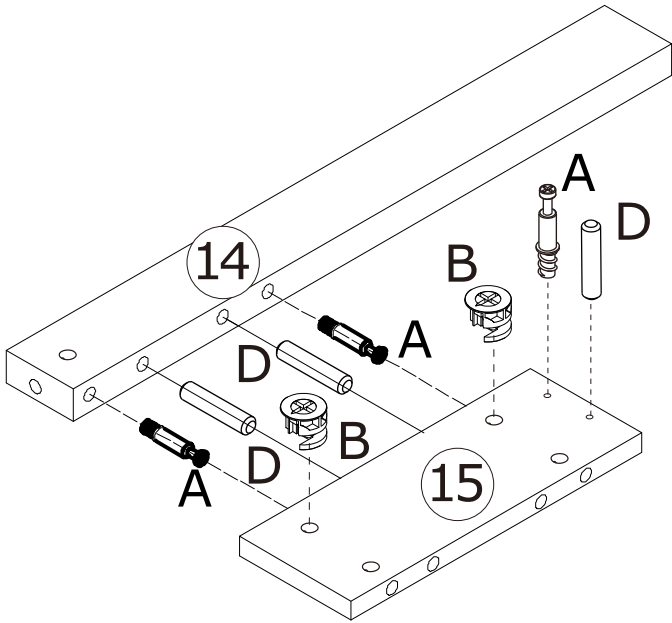
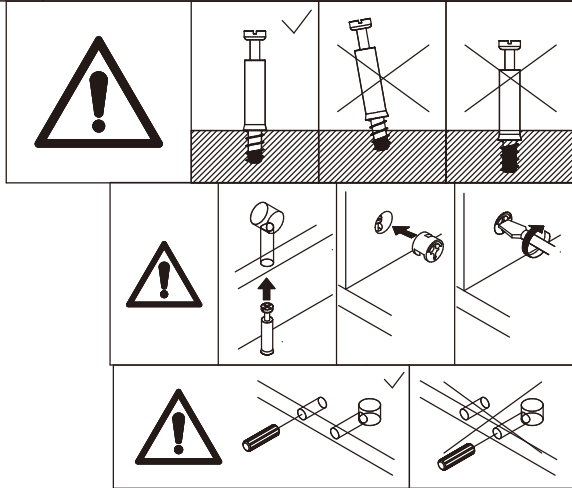


2


Ax4

Ø5x31mm

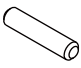
Bx3

Ø15x11mm

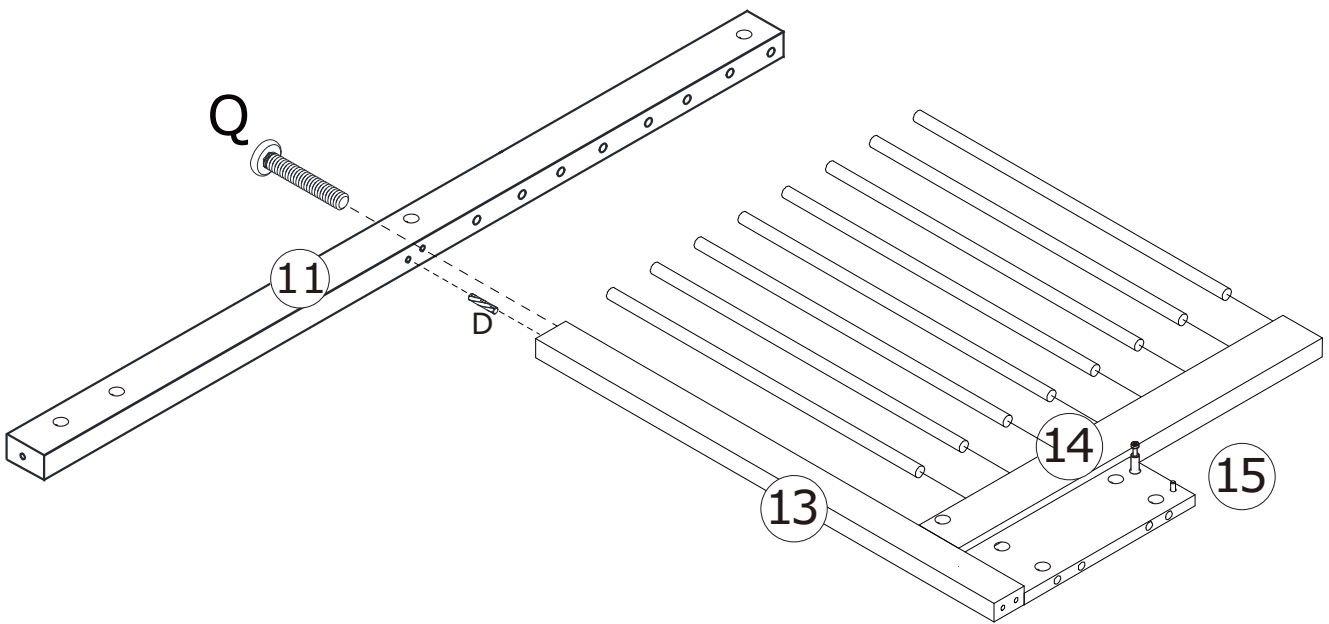
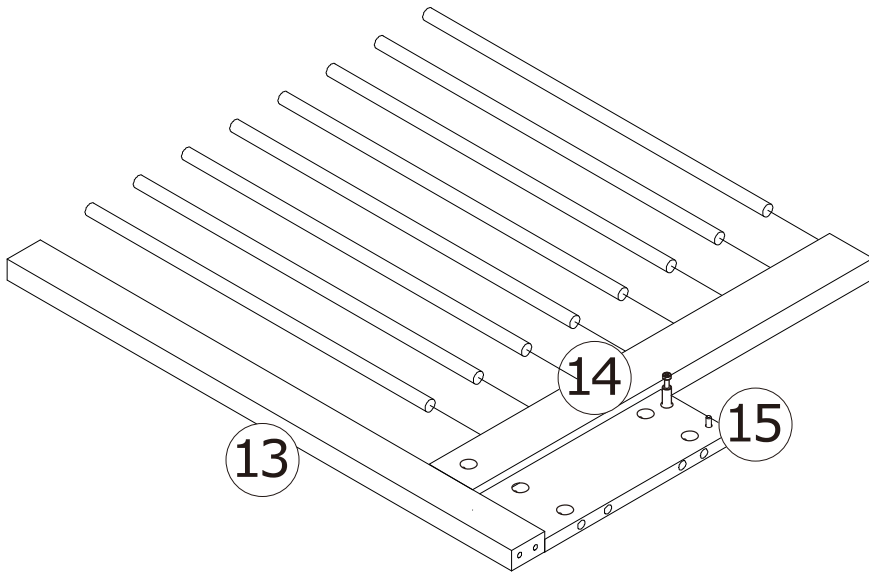
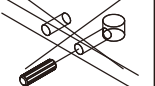
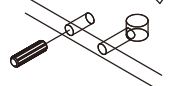
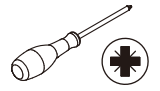
Dx3

Ø8x30mm



3

Qx1

Ø6x60mm

Dx1

Ø8x30mm



4

A x 4



∅5 x 31 mm

B x 3

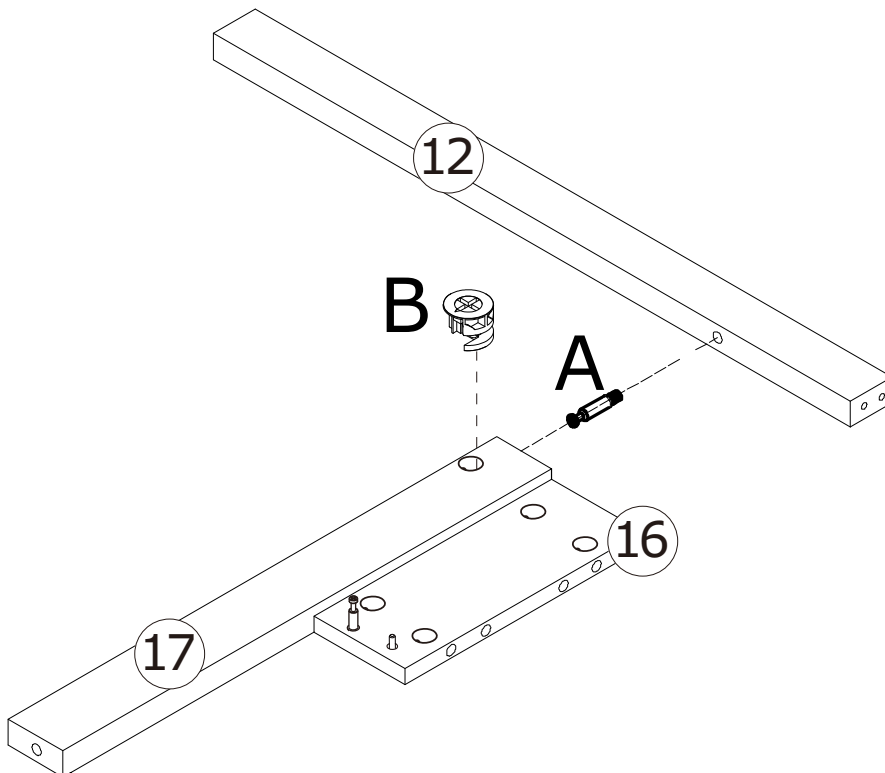
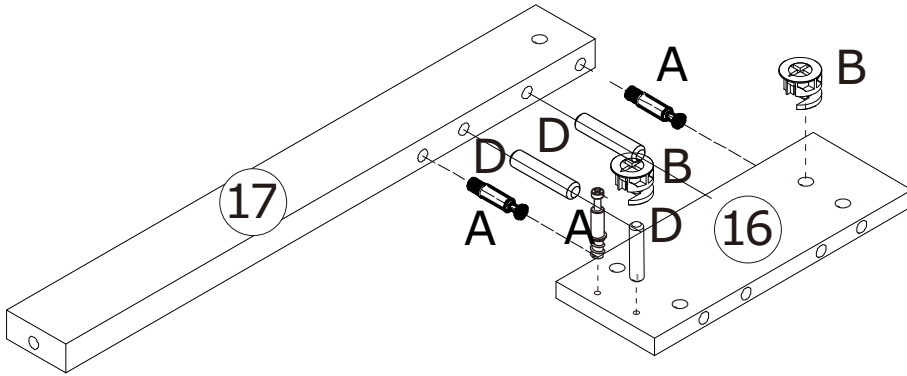
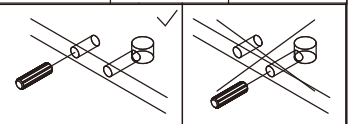
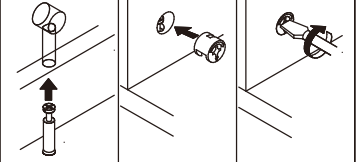
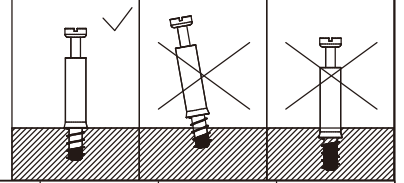
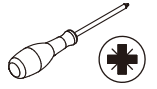


∅15 x 1 mm

D x 3



∅8 x 30 mm



5

Qx1

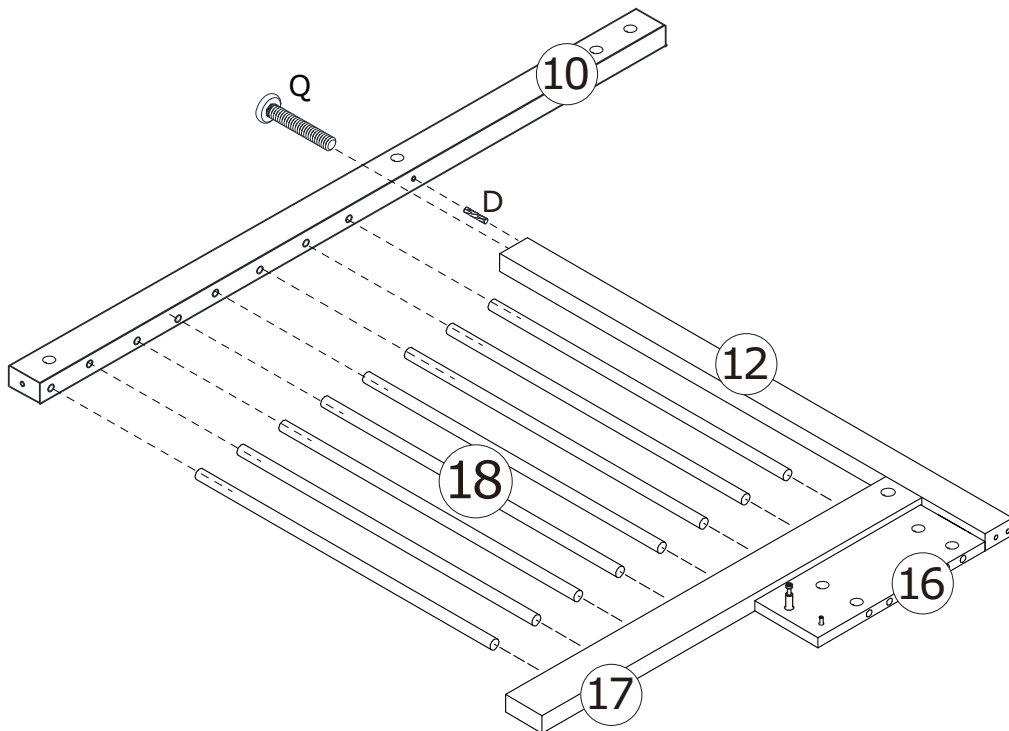
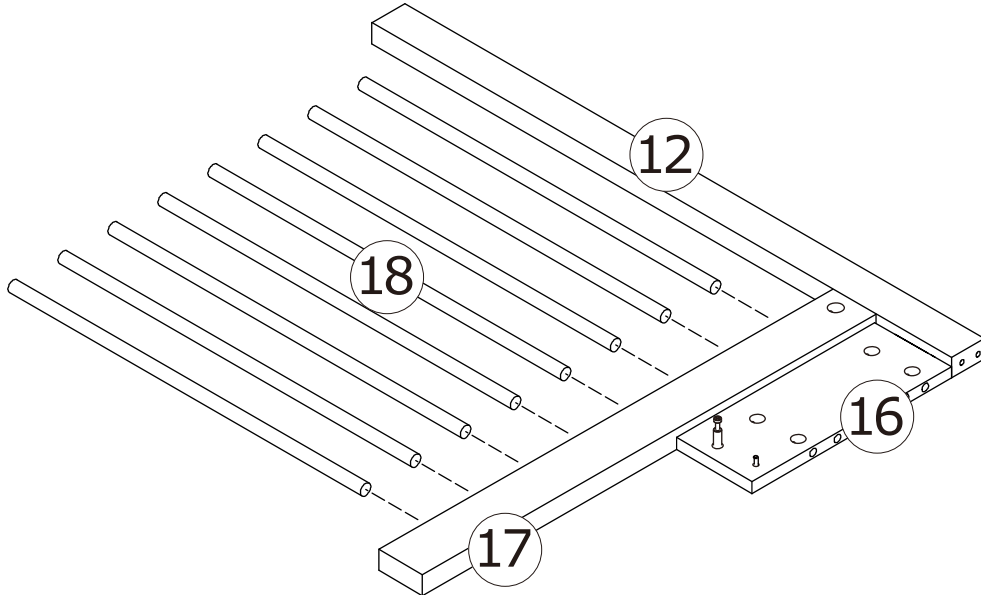
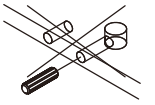
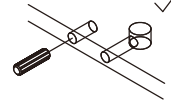
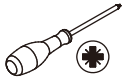


∅6x60mm

D x 1

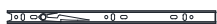


∅8 x 30mm



6

J x2

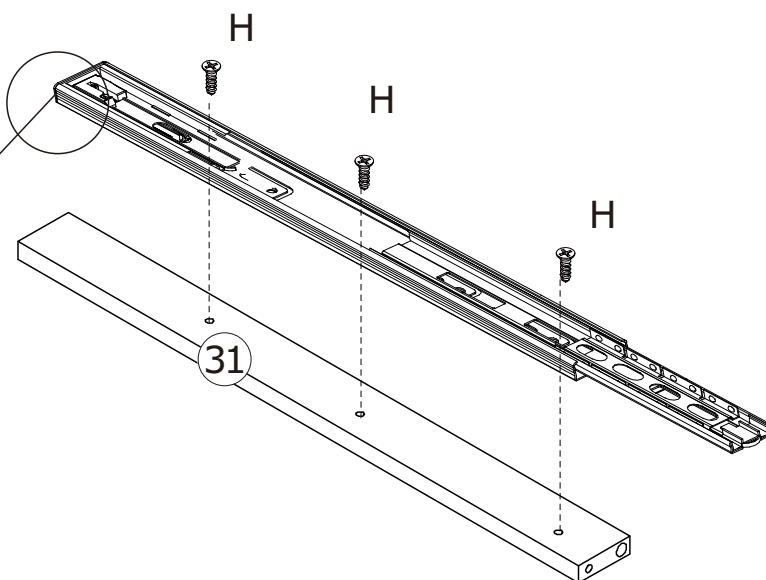
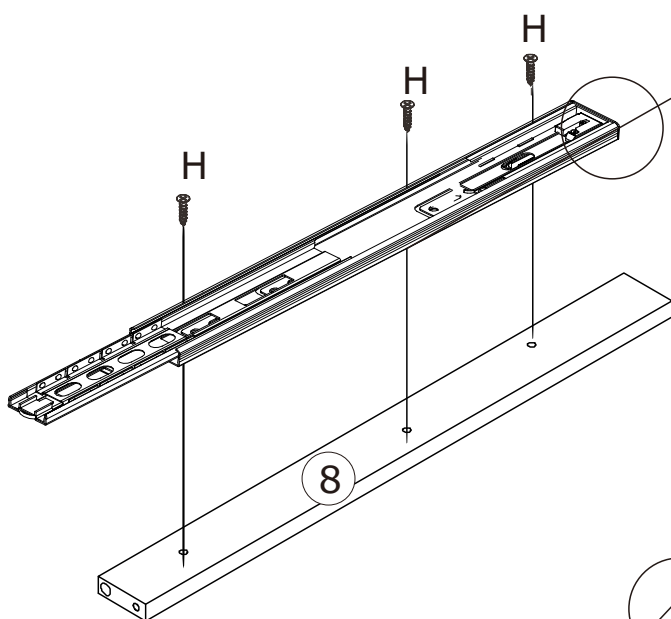
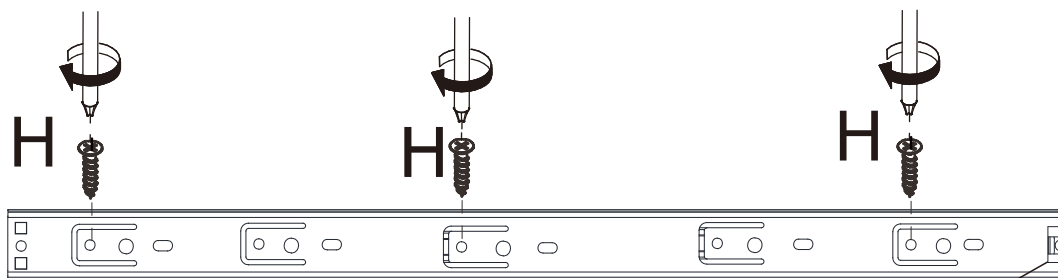
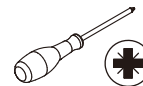


L = 500mm

Hx6



∅3x12mm

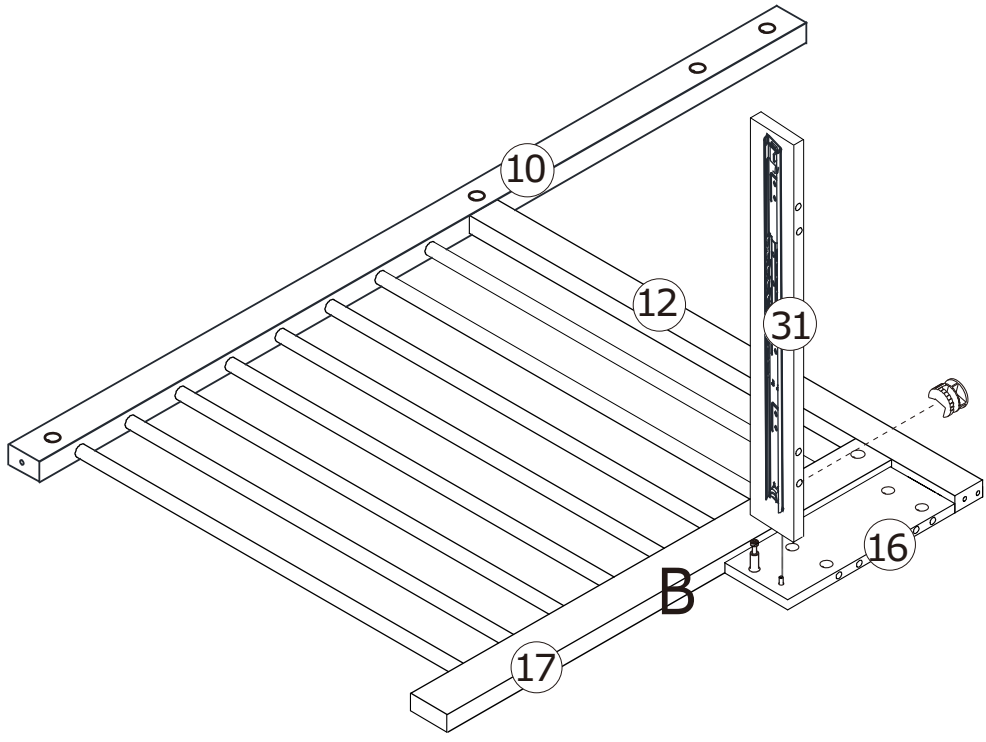
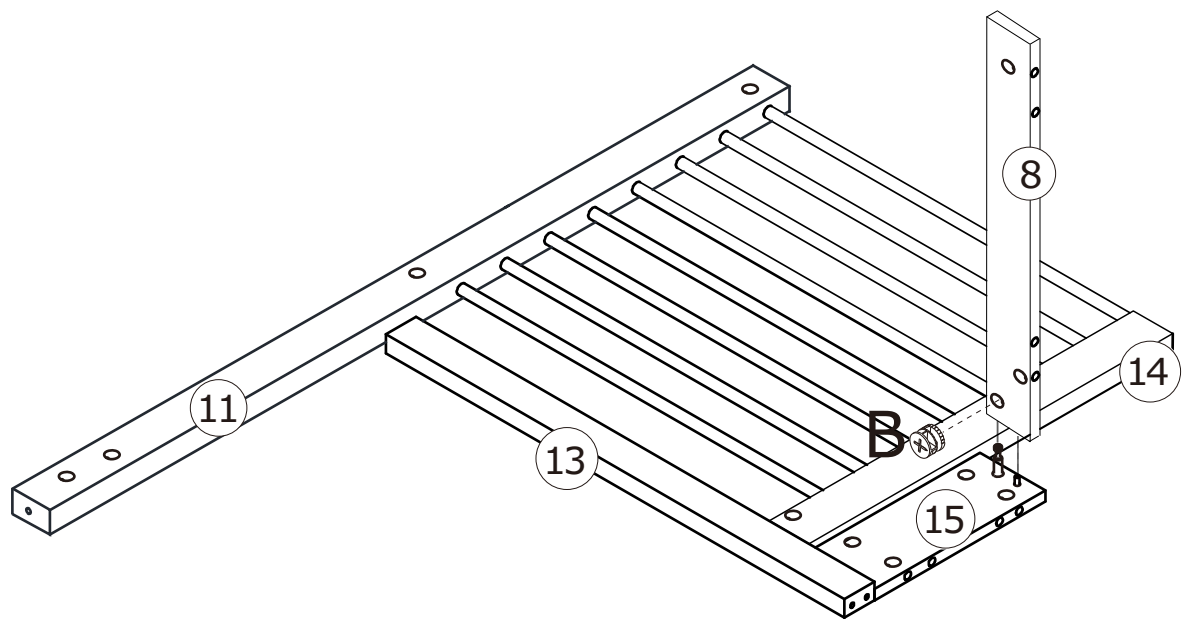
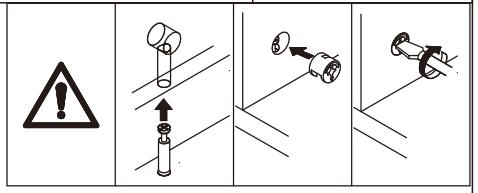
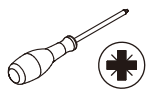


7

Bx2



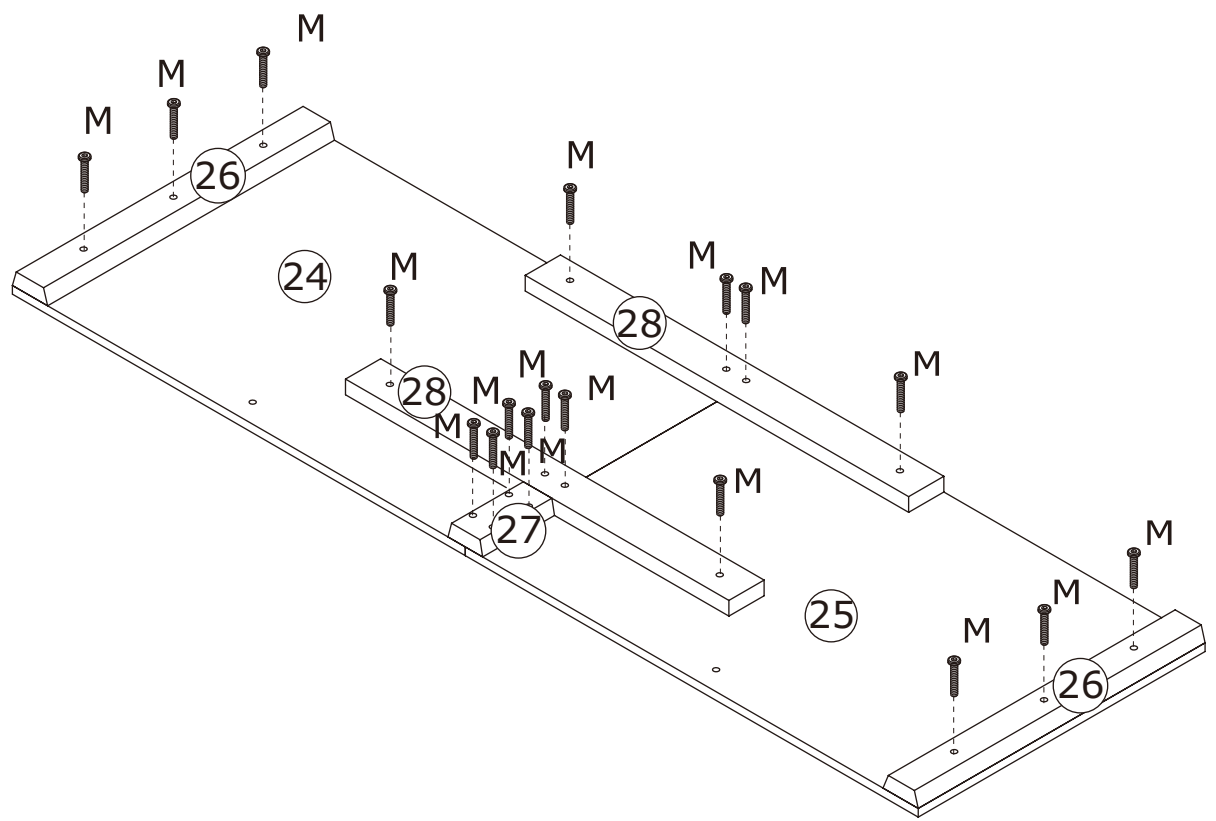
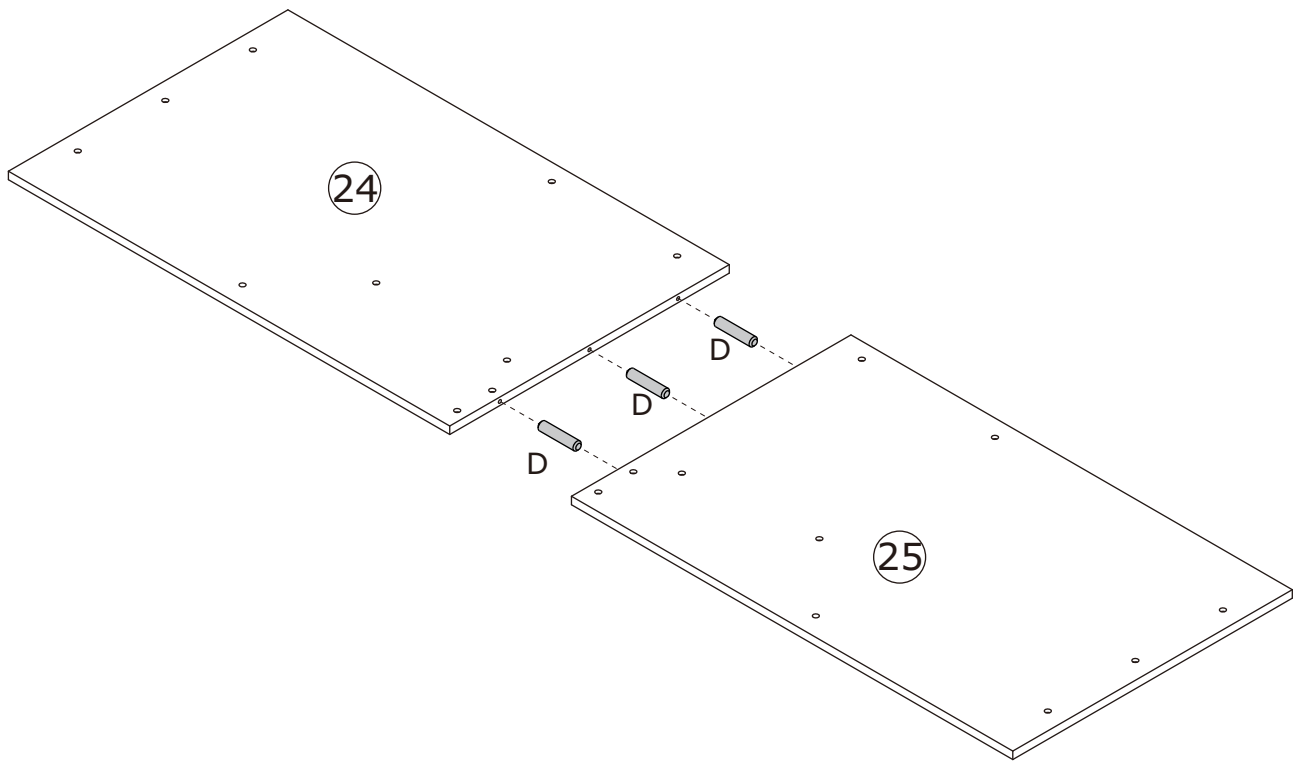
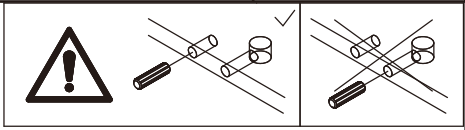
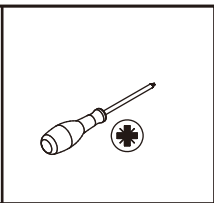
Ø 15x11mm



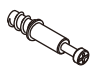
8

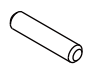
Dx3
Ø 8 x 30 mm

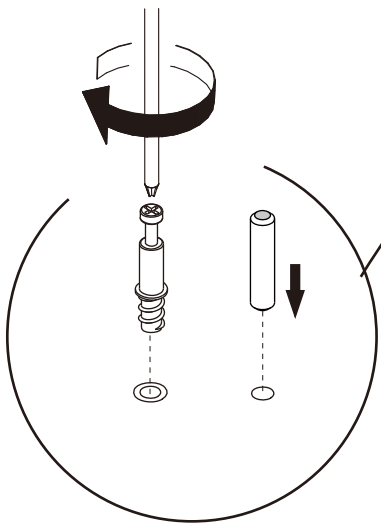
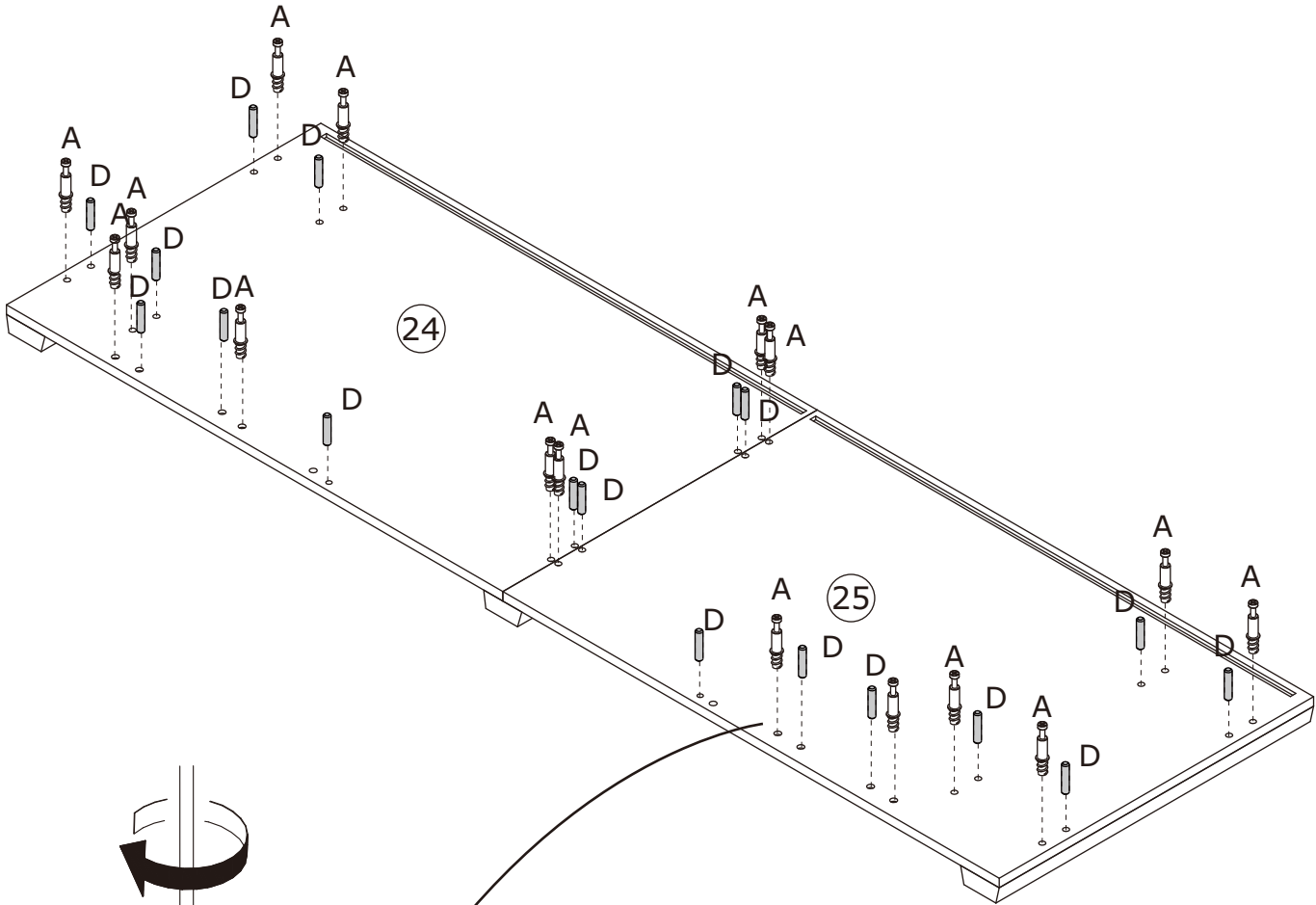
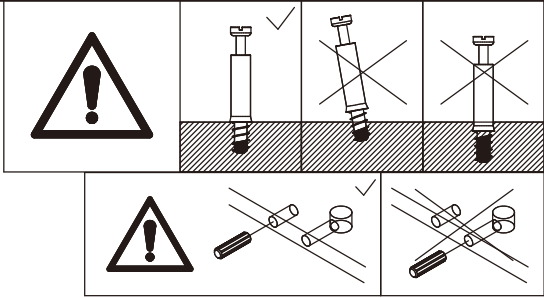
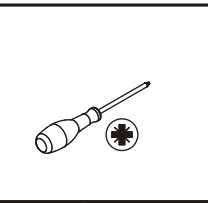
Mx18
Ø 6x35 mm



9

Ax16

Ø5x31mm

Dx18

Ø8x30mm

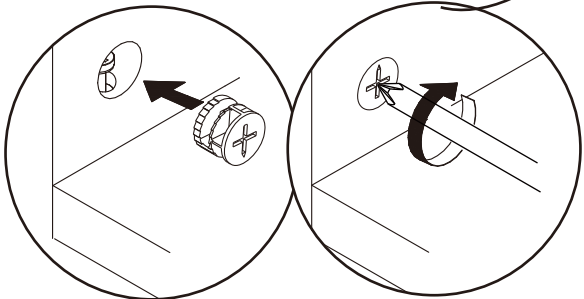
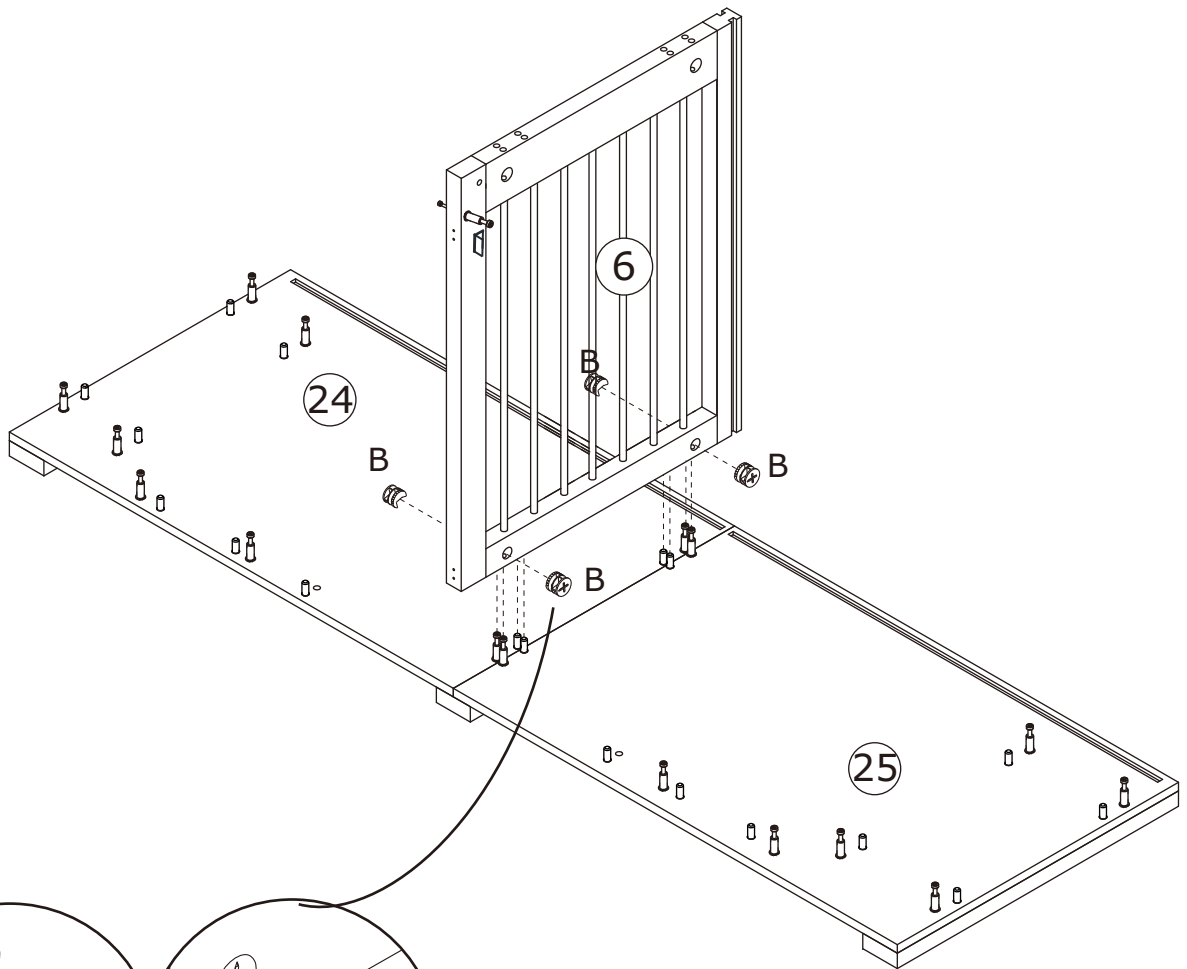
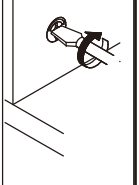
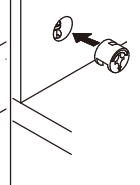
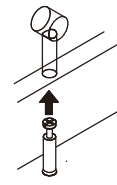
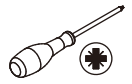


10

Bx4



Ø15x11mm



11

Bx10

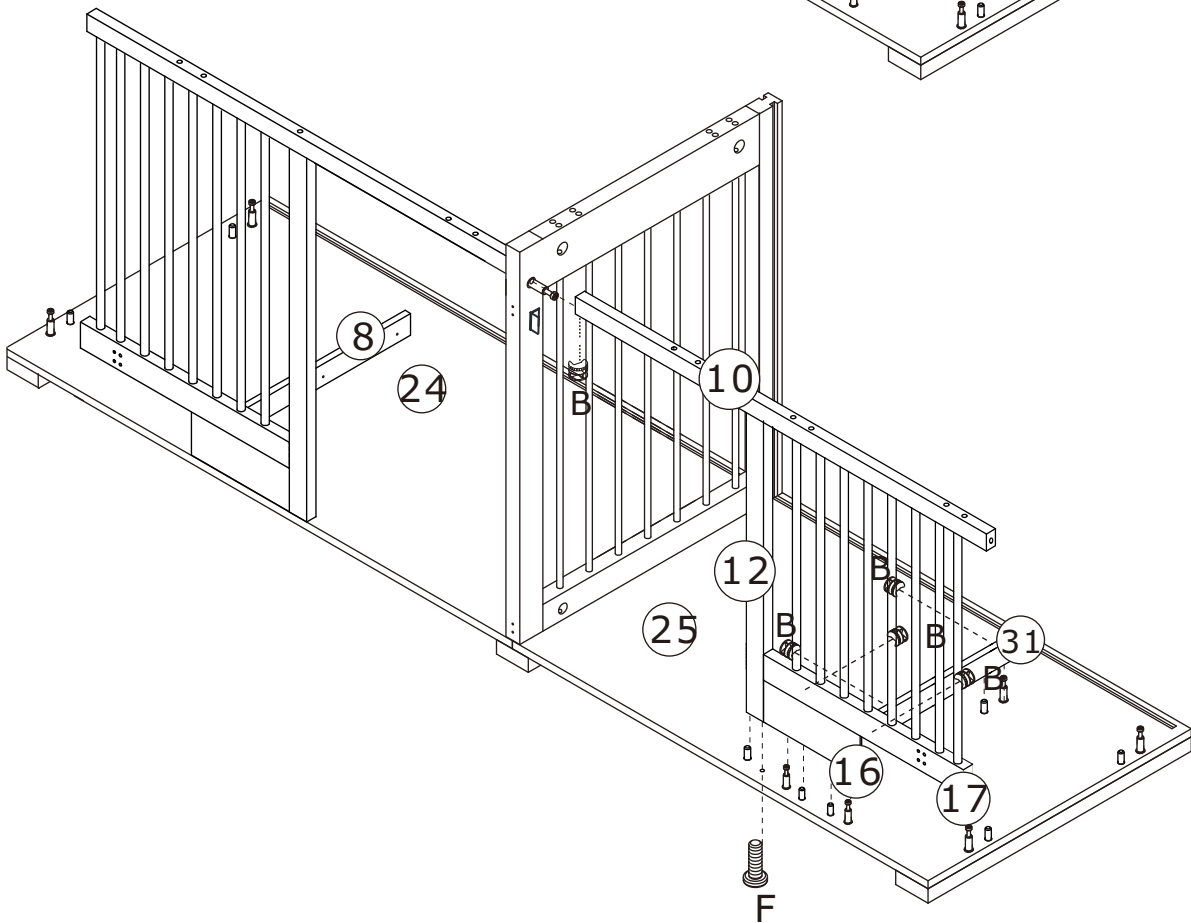
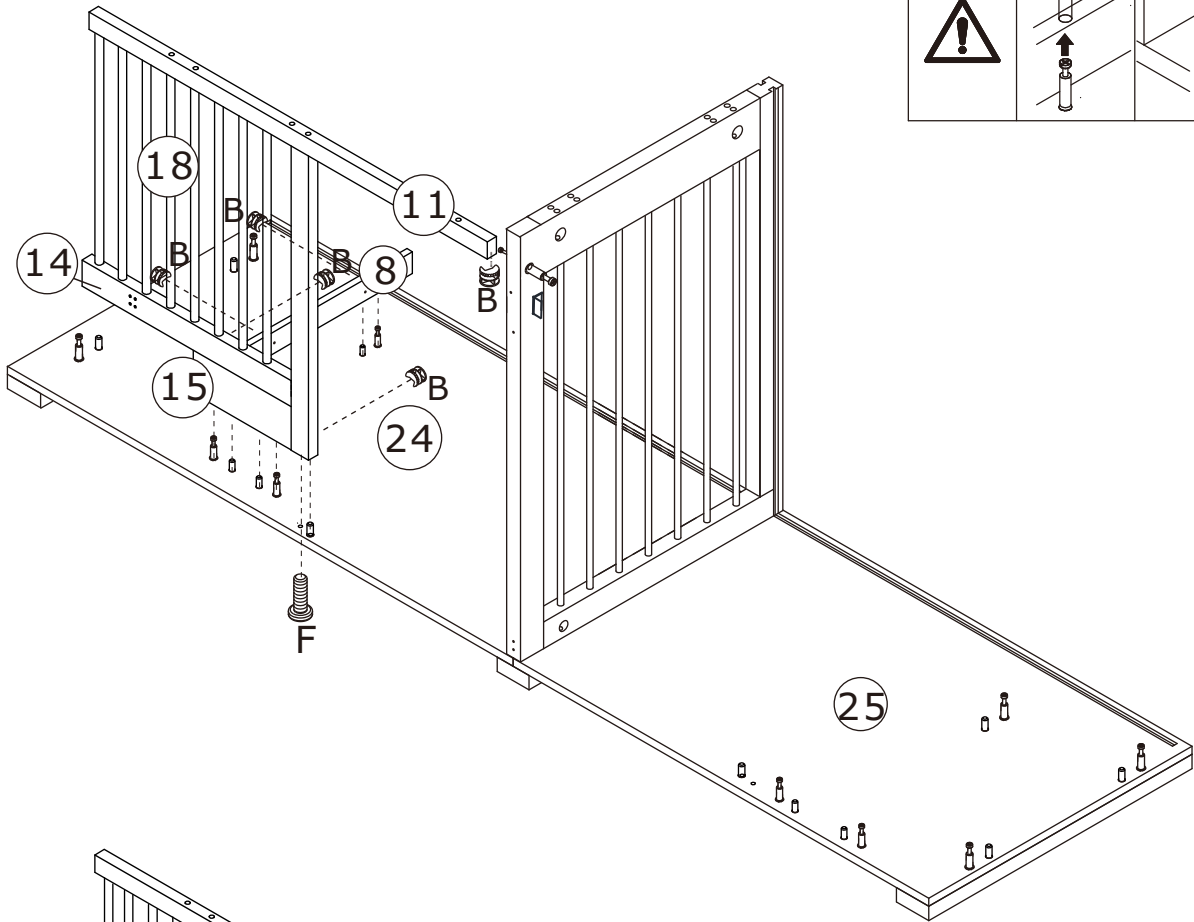
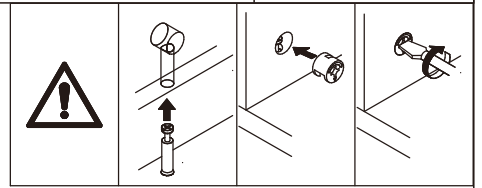
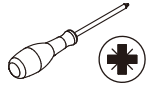


∅ 15x11mm

Fx2



∅ 6x25mm

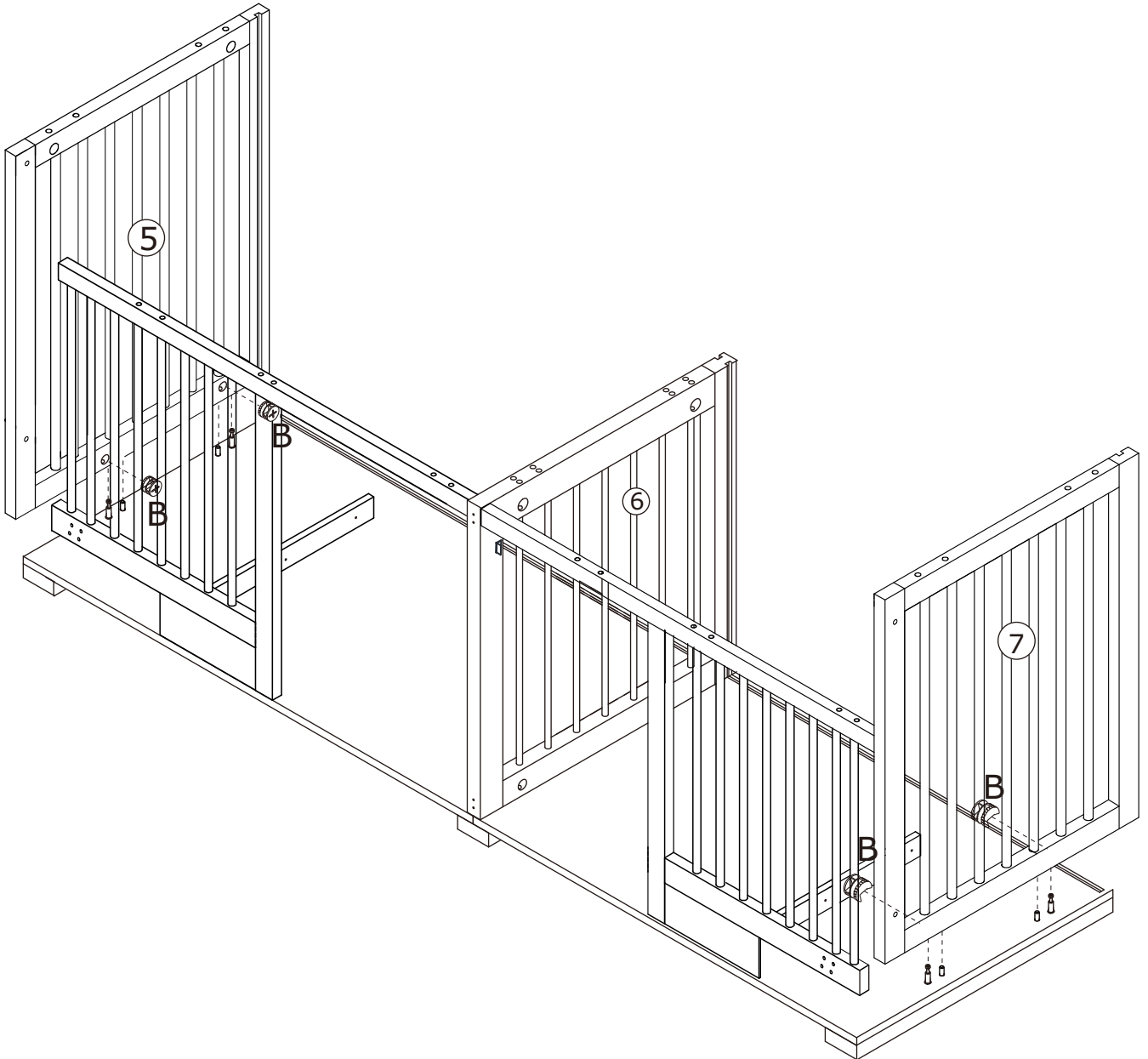
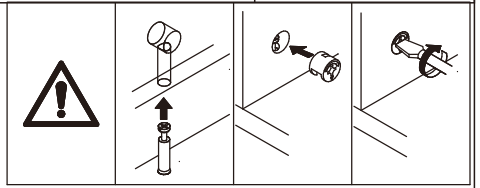
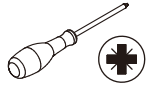


12

Bx4

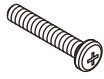


Ø 15x11mm

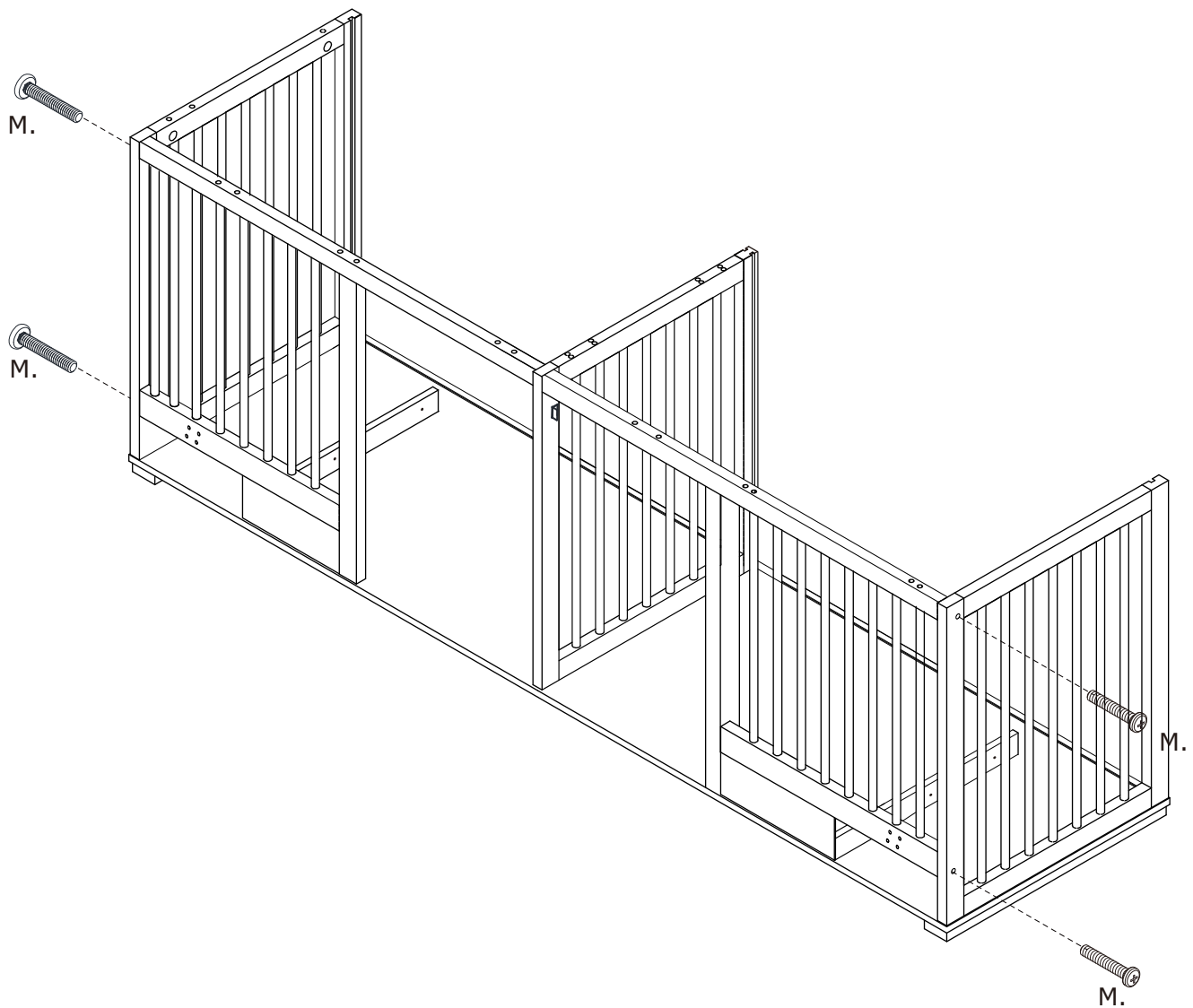
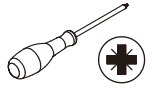


13

M. x 4



∅ 6 x 35 mm



14

Jx2

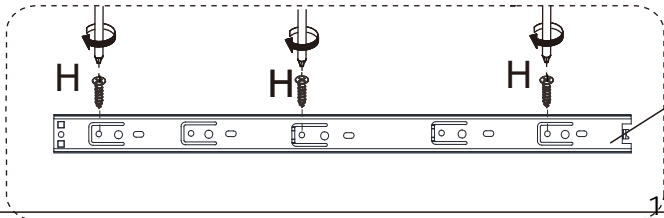
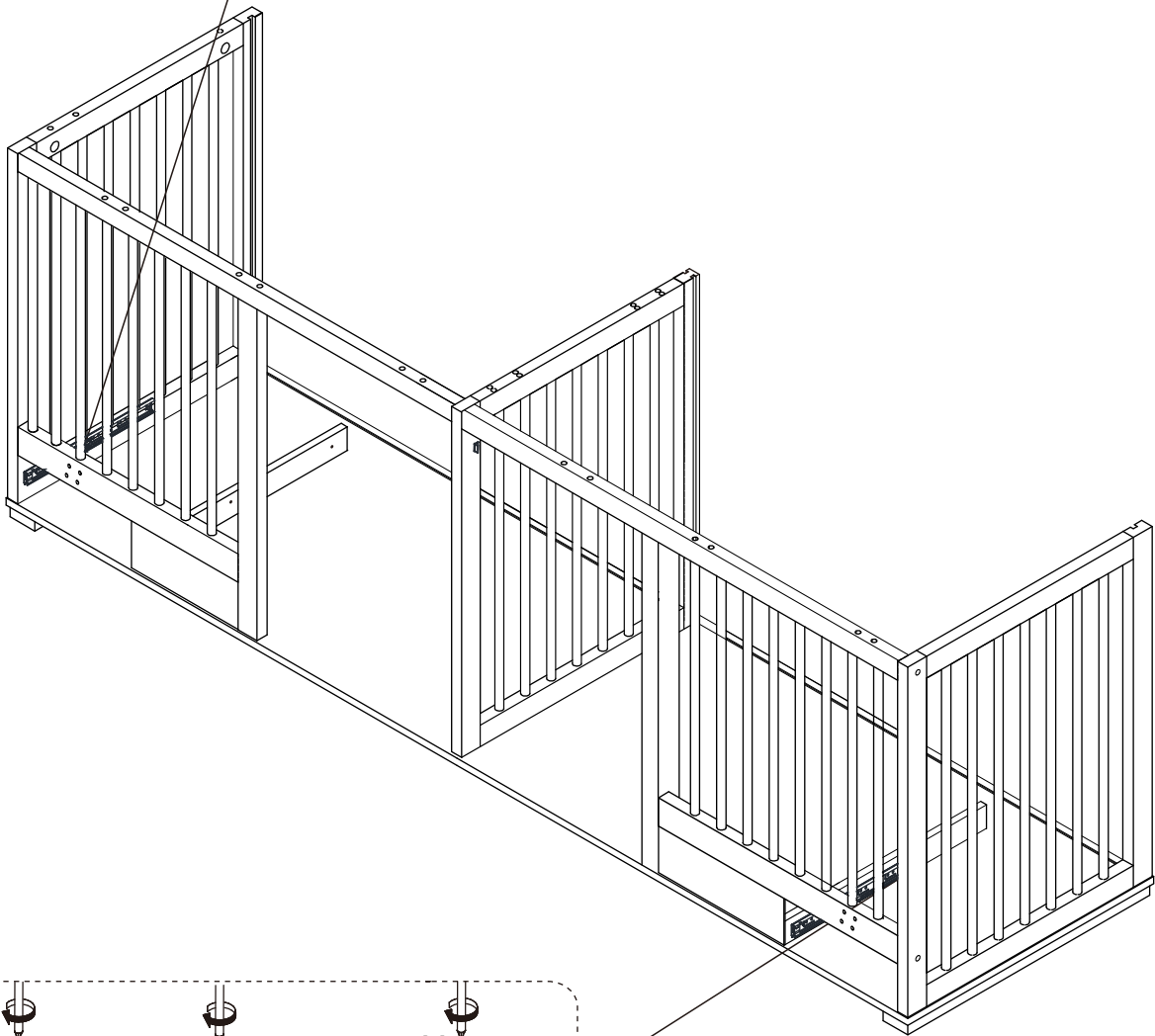
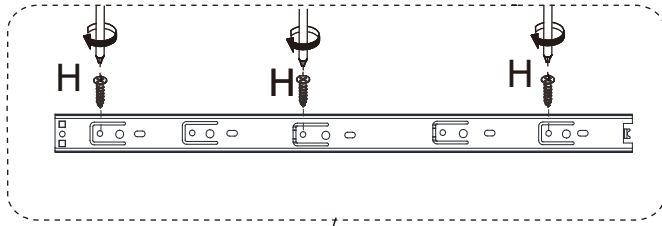
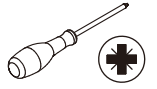


L=500 mm

Hx6



∅ 3x12 mm

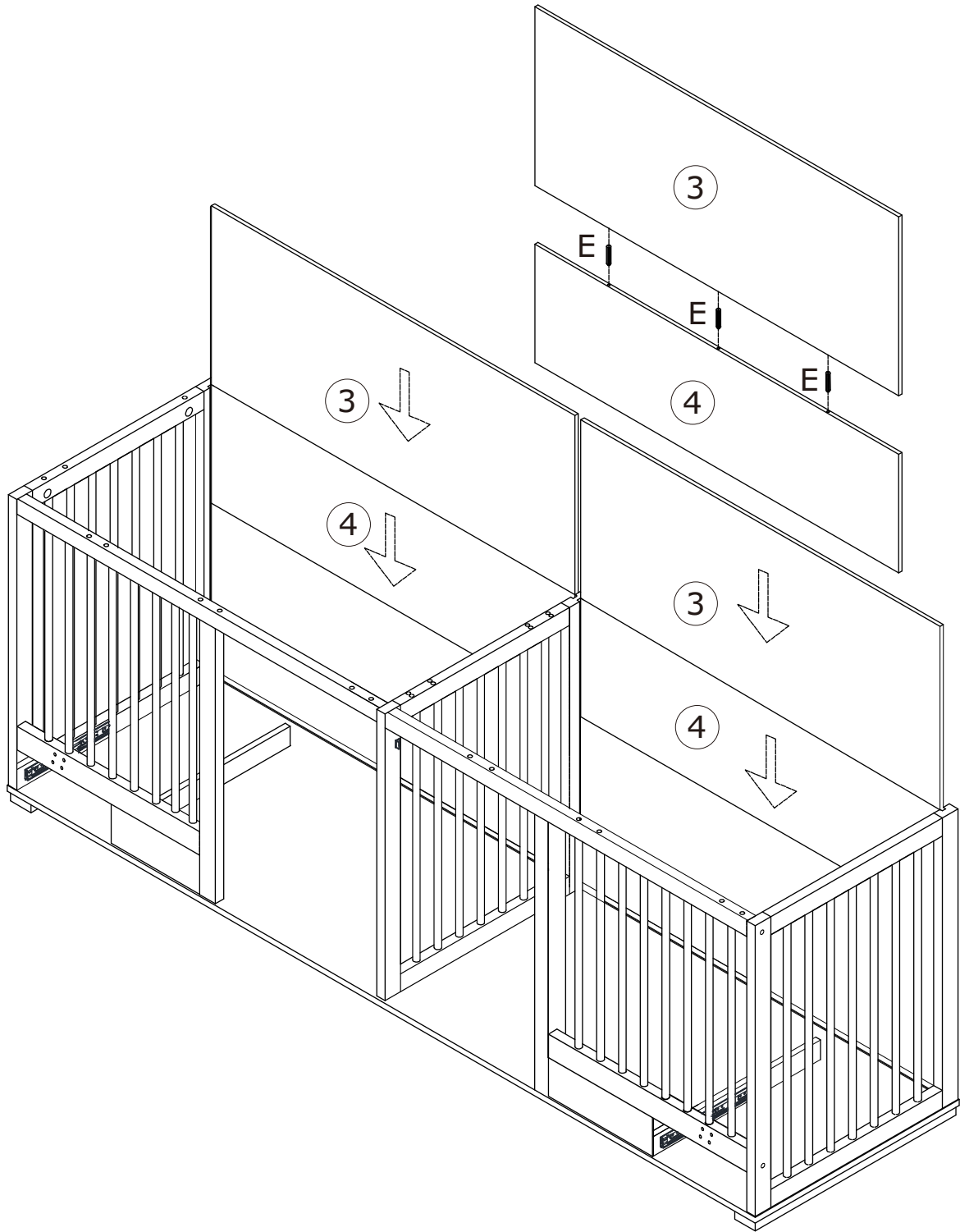
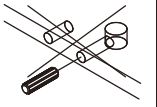
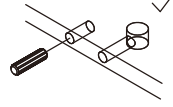
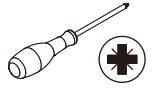


15

Ex6



∅ 6x 30mm

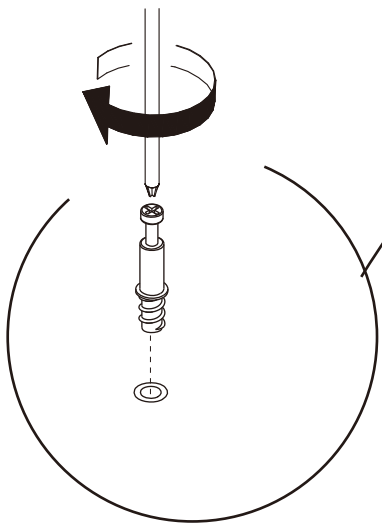
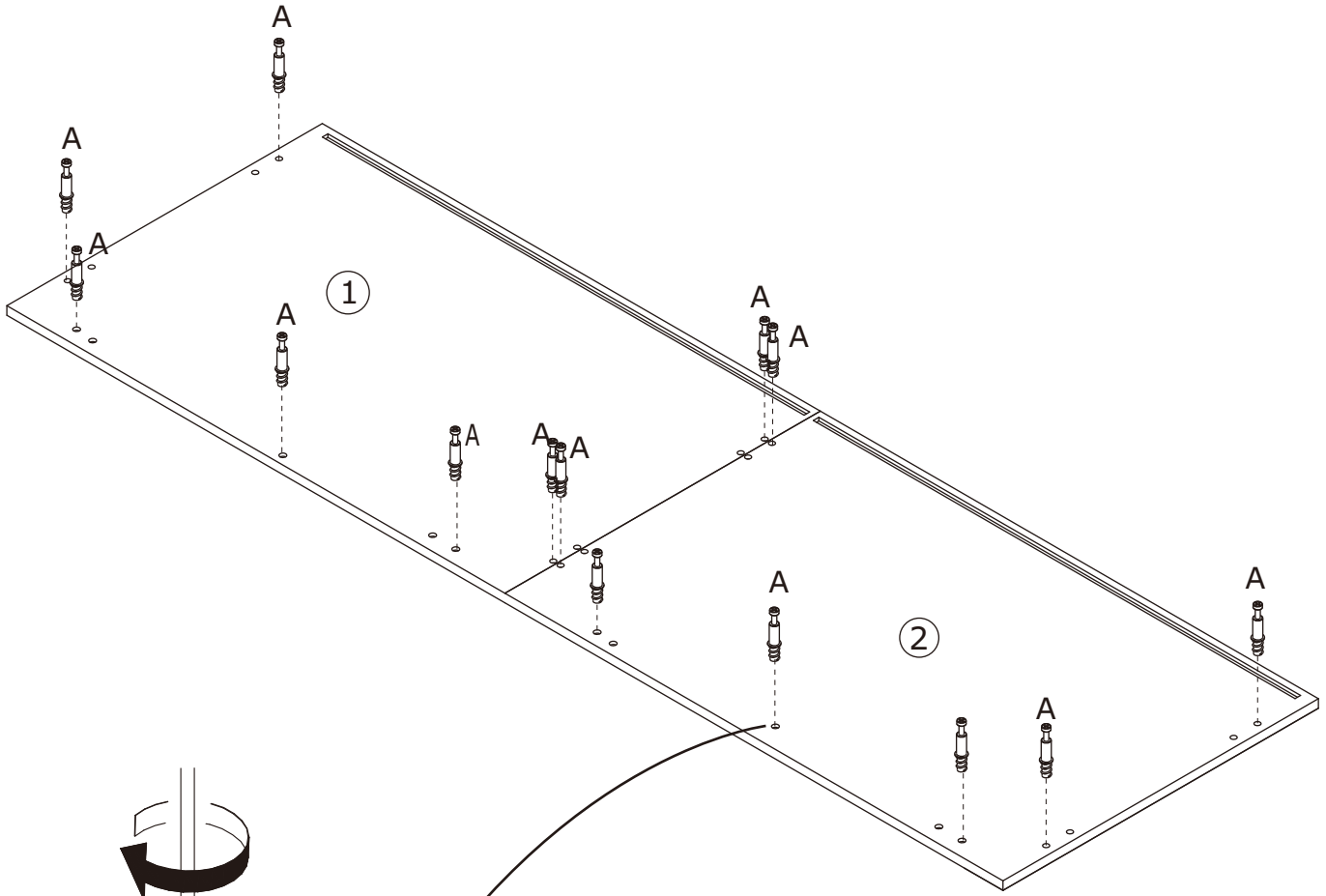
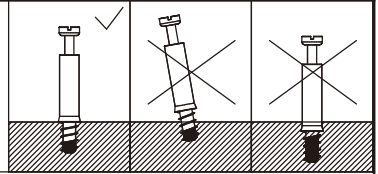
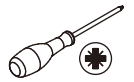


16

Ax14



Ø5x31mm



17

Dx12

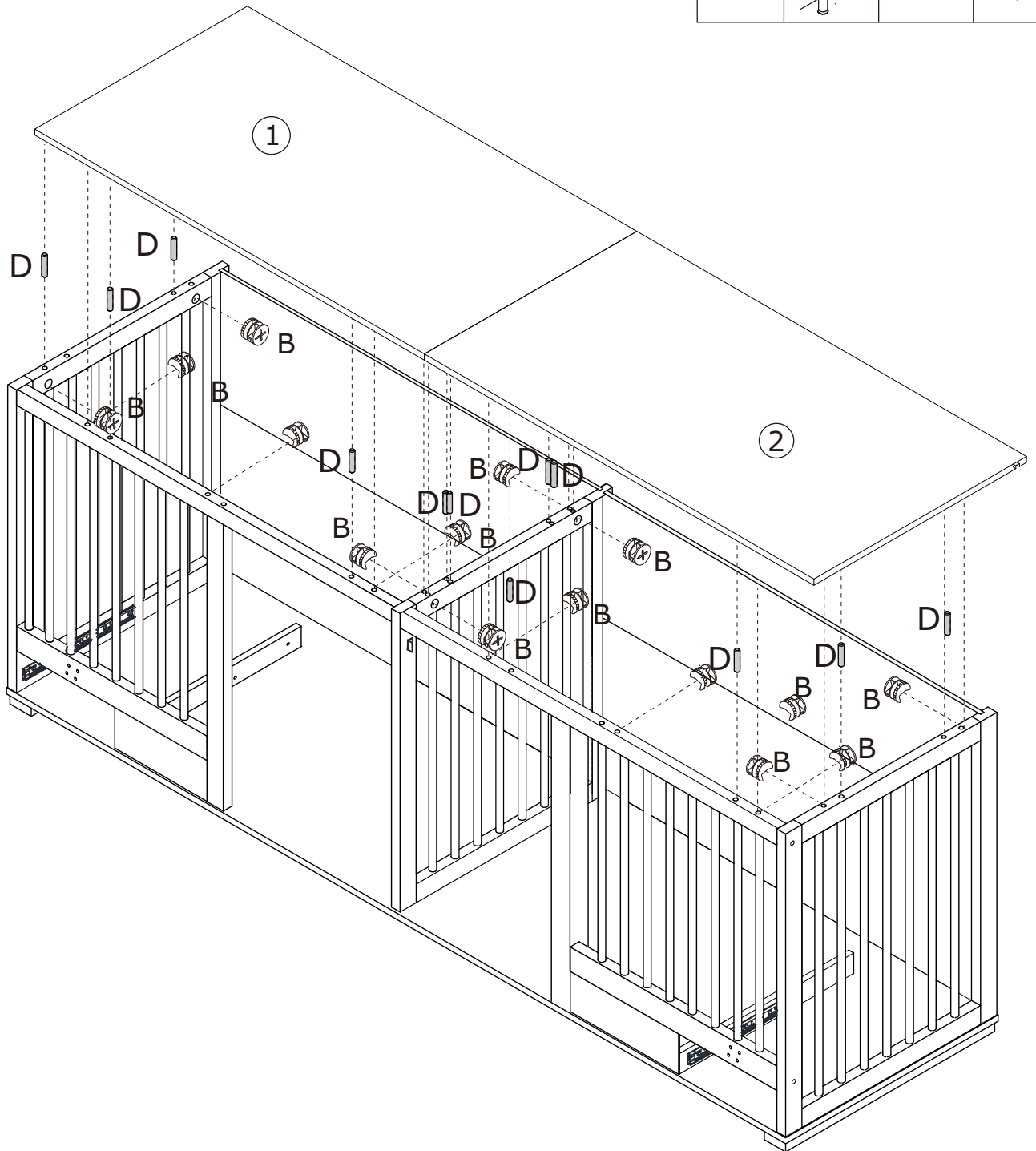
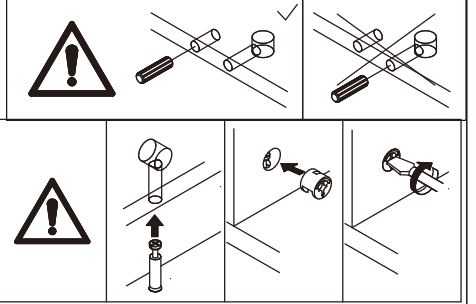
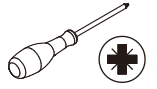


∅ 8 x 30mm





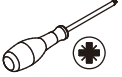
Bx14

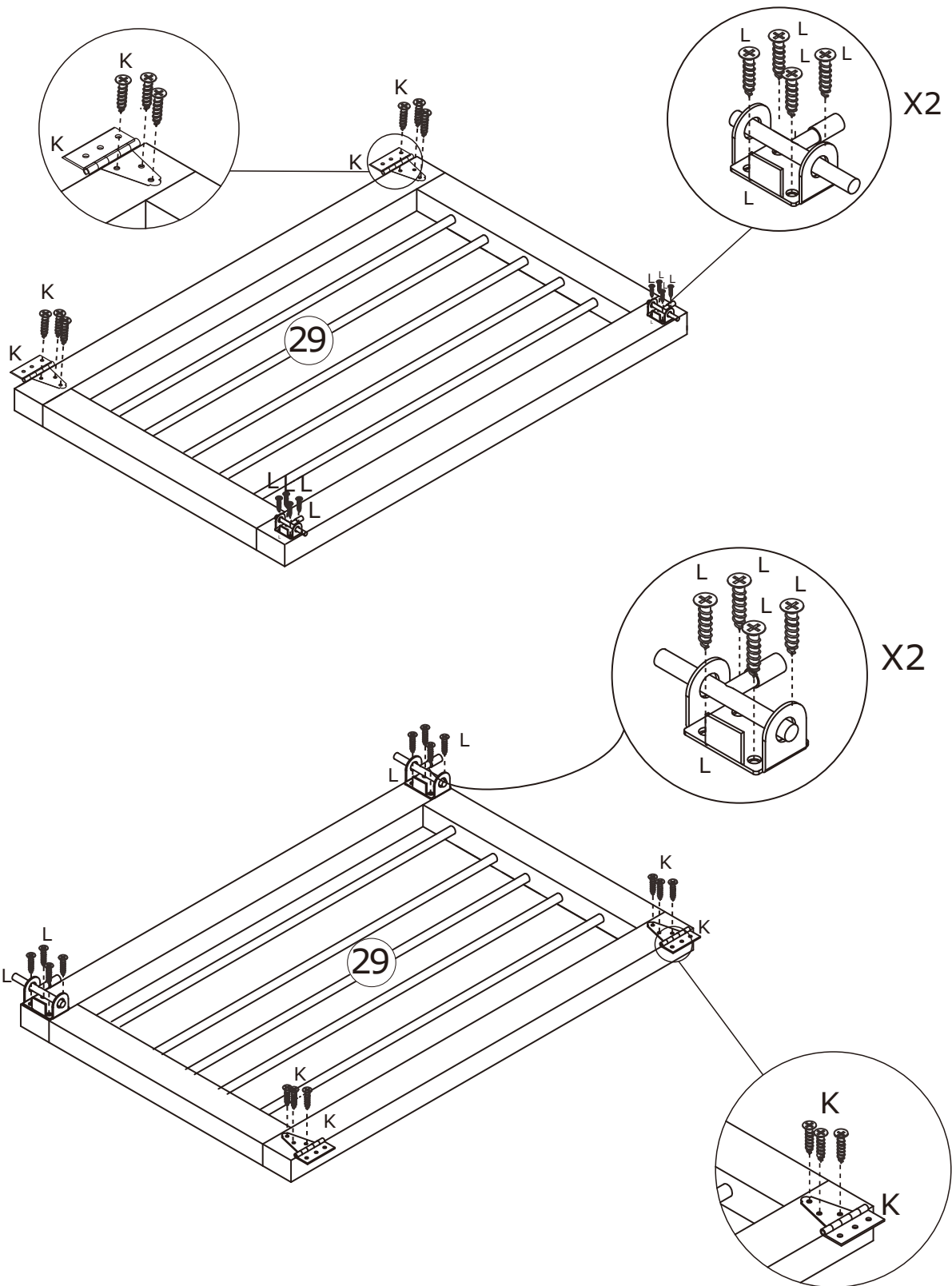


∅ 15 x 11 mm



18

Kx4 	Kx12  Ø 3x12mm	Lx4 	Lx16  Ø 3.5x14mm	
--	---	--	---	---

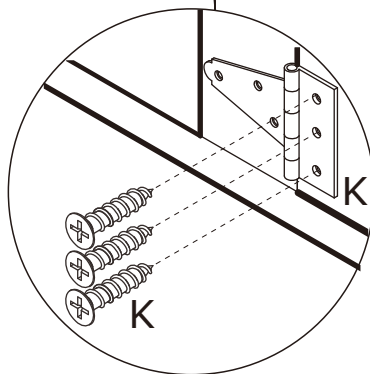
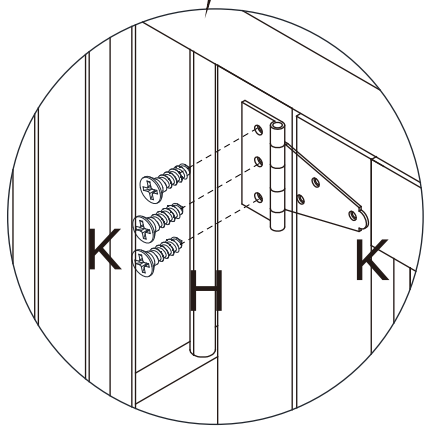
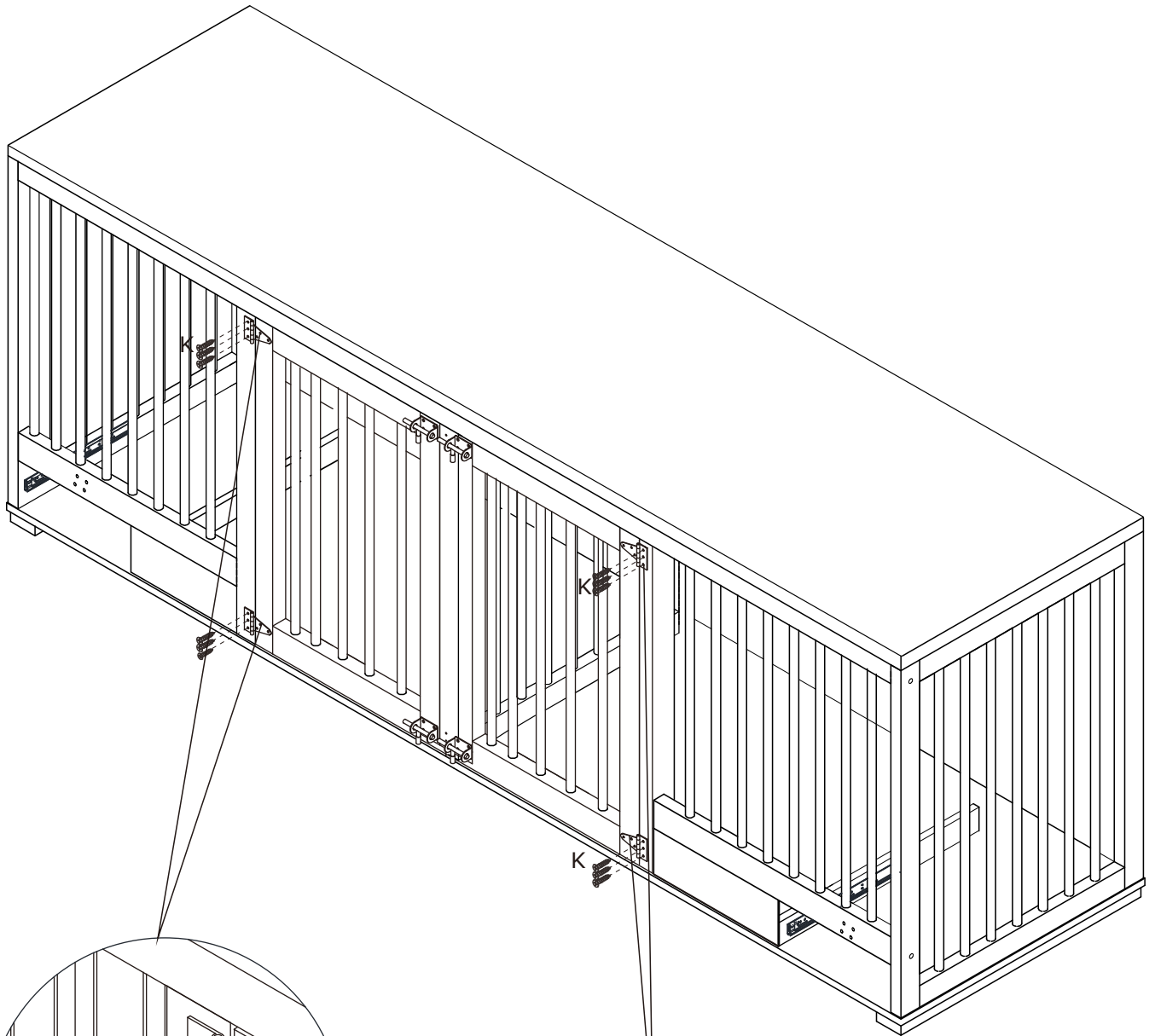
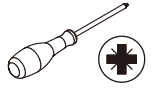


19

Kx12



Ø3x12mm



20

Lx4



Ø 3.5x14mm

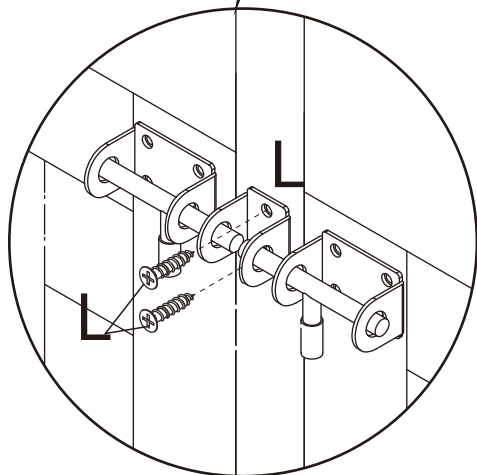
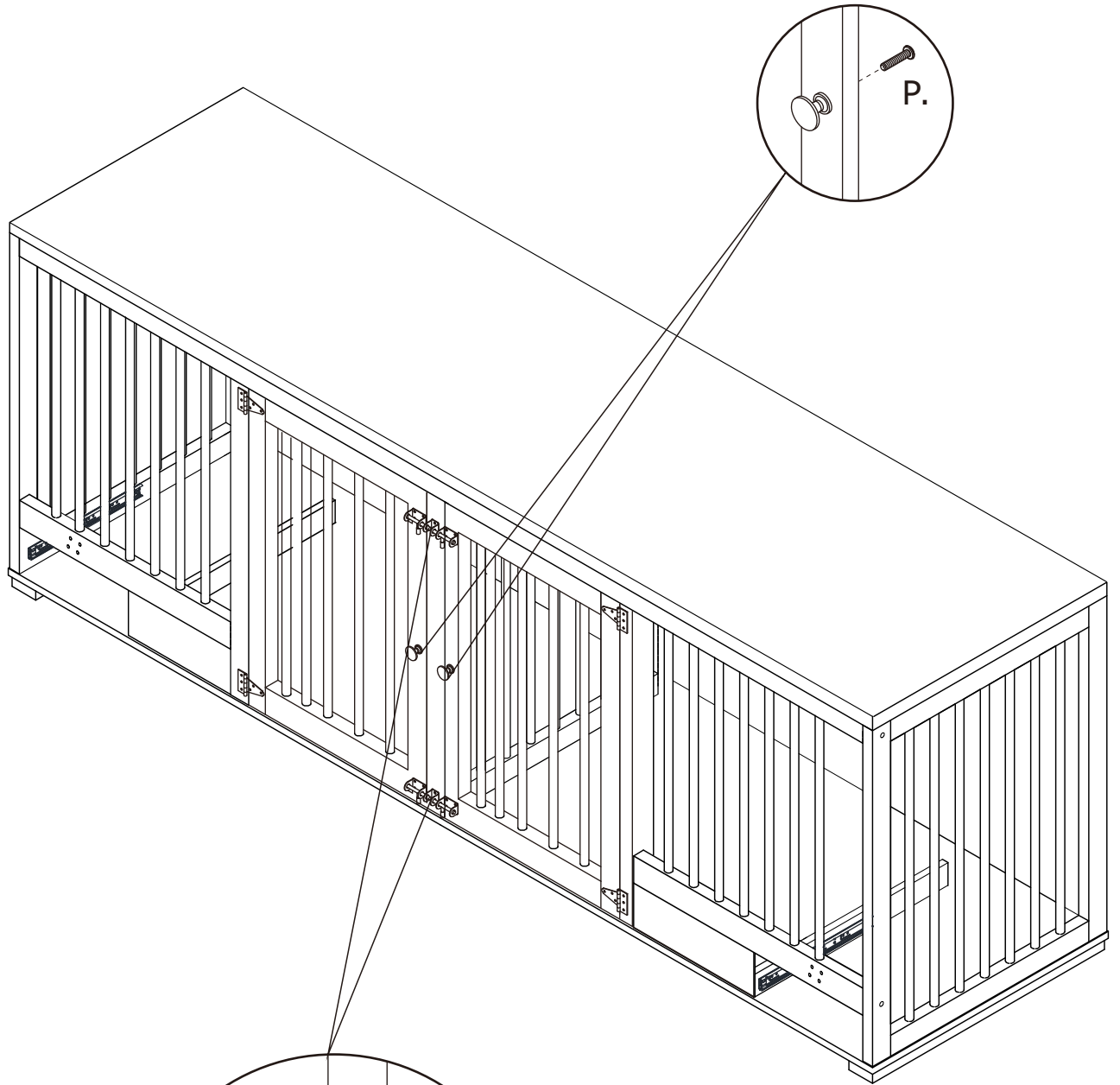
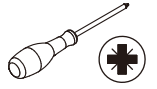
L x 2



Px2



Ø 4x28mm

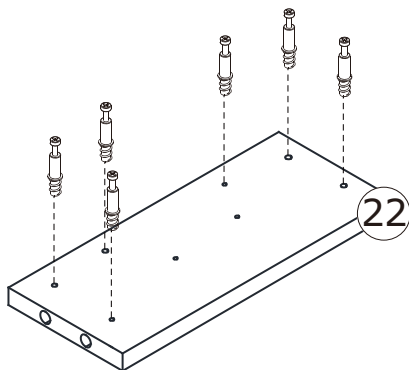
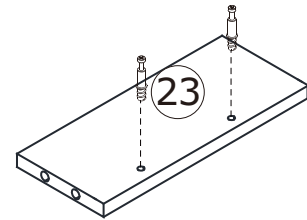
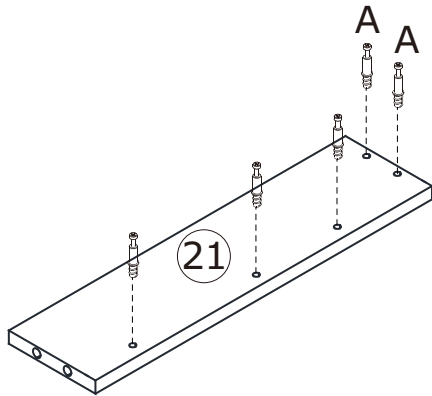
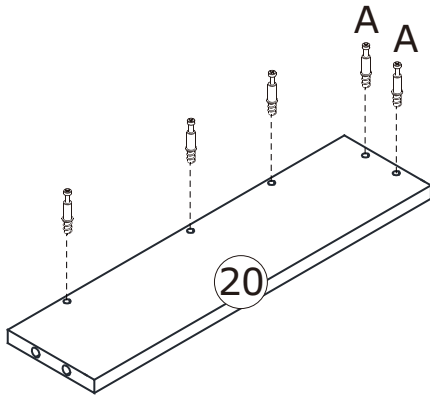
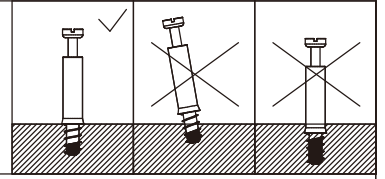
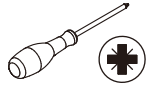


21

A x 36



Ø5x31mm



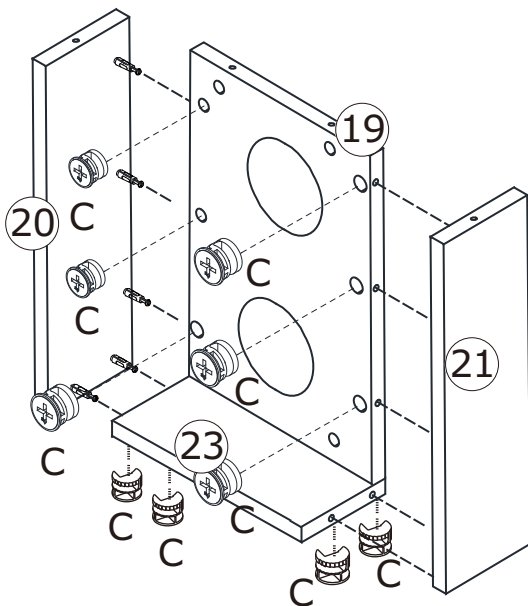
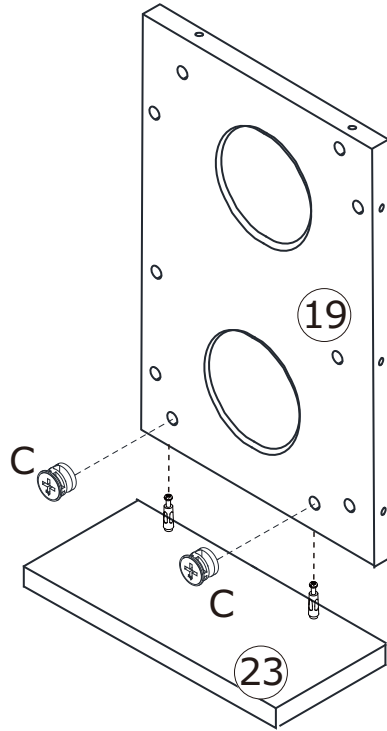
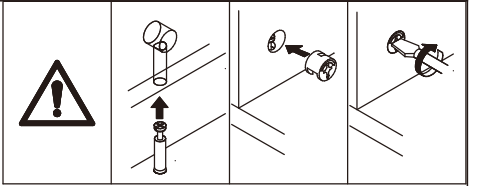
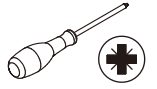
x2

22

Cx24



Ø15x9.5mm



x2

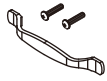
23

Cx12

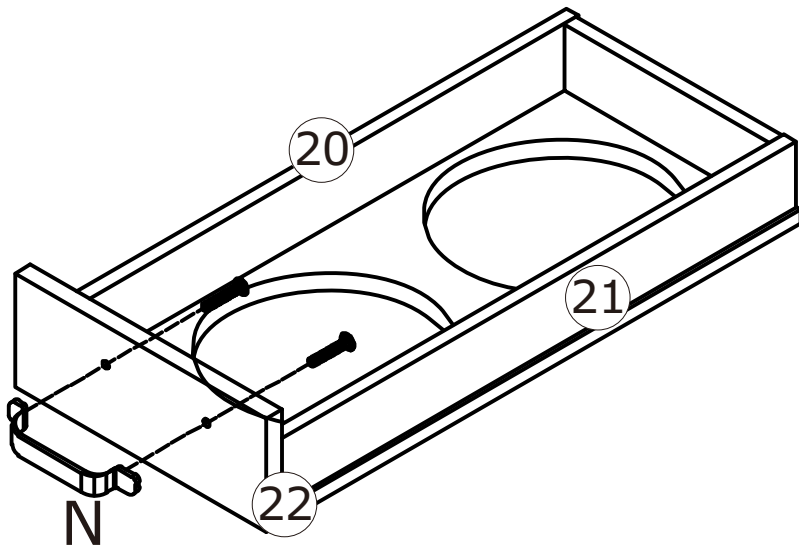
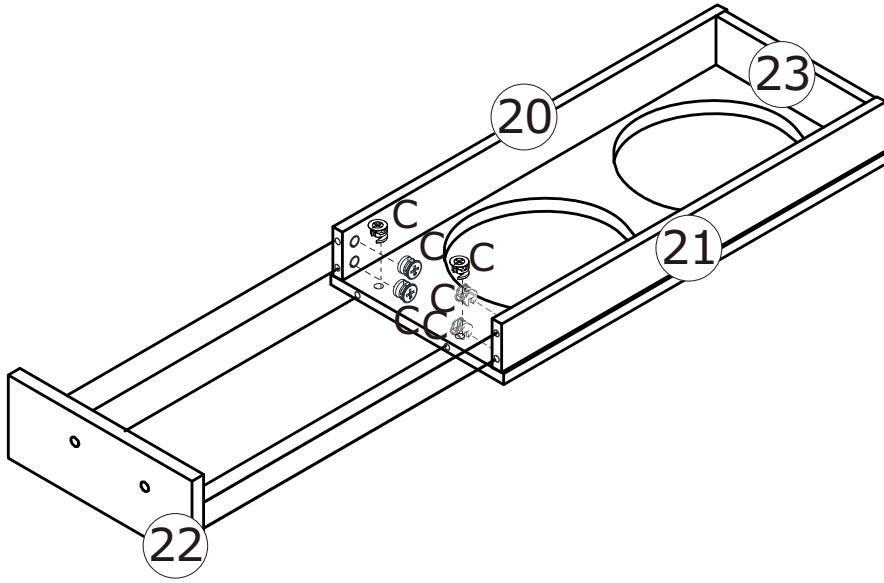
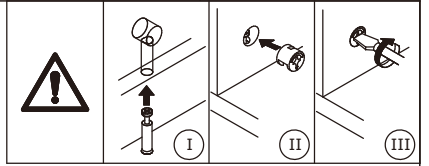
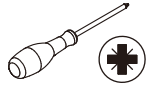


∅ 15x9.5mm

Nx2



∅ 4x18mm



x2

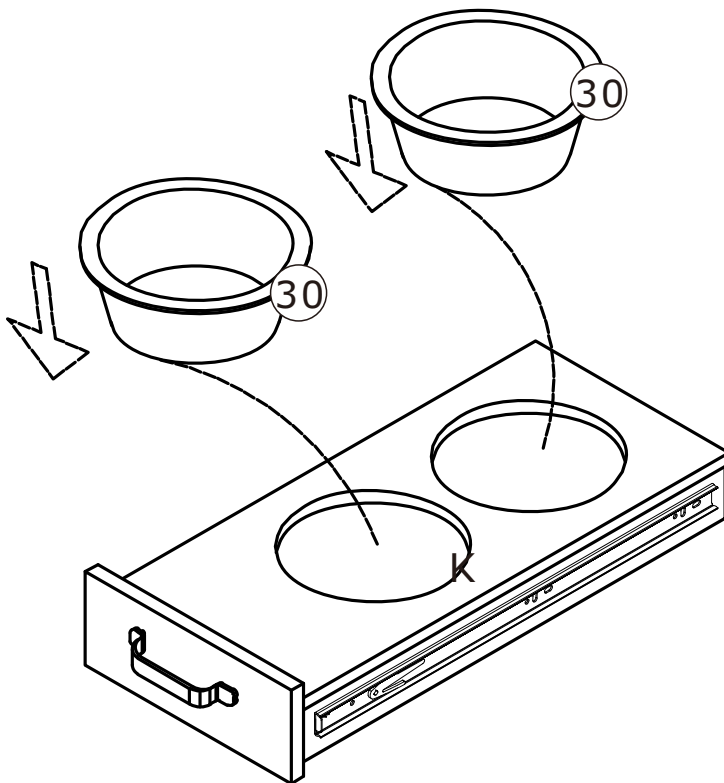
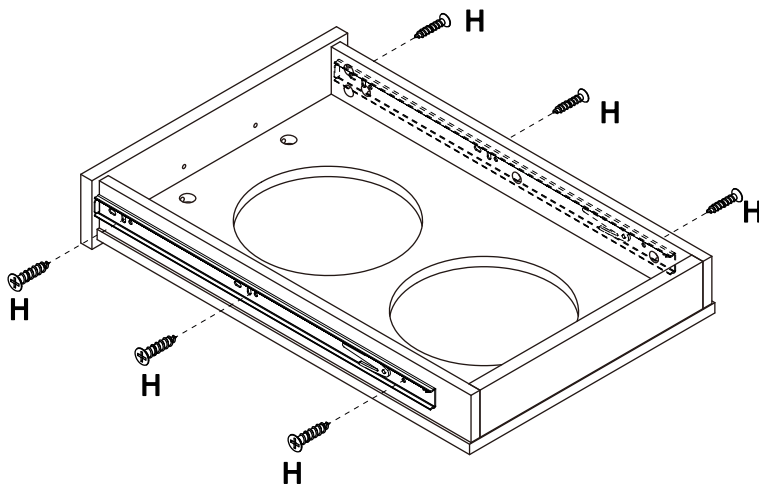
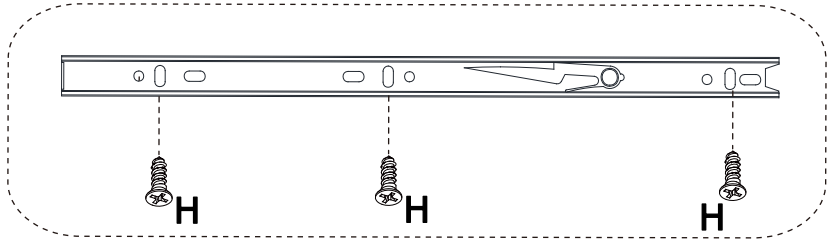
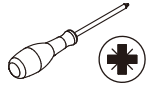
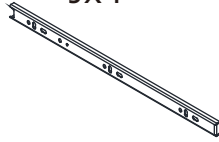
24

Hx12



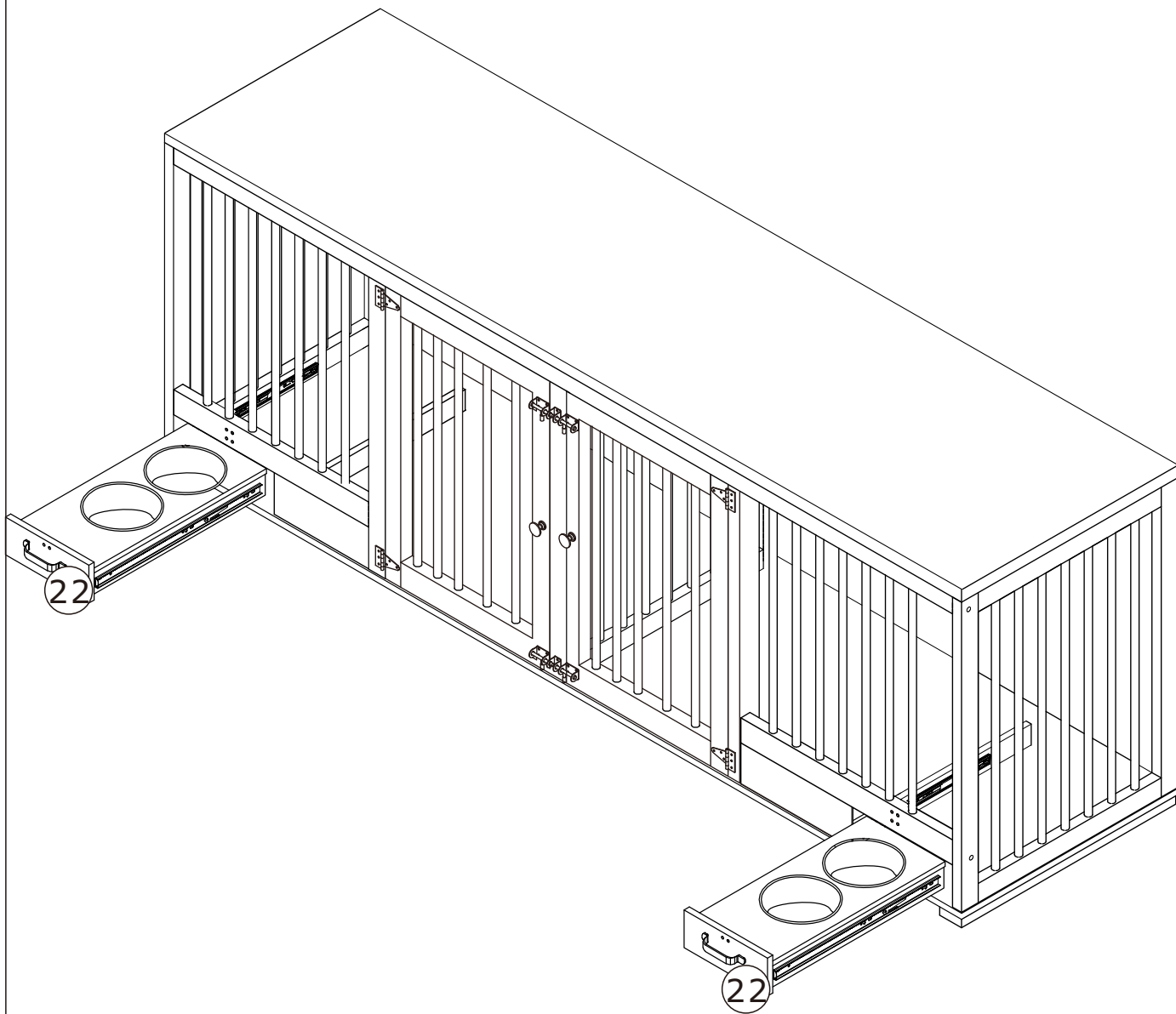
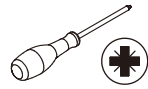
∅ 3x12 mm

Jx4



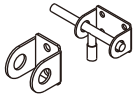
x2

25



26

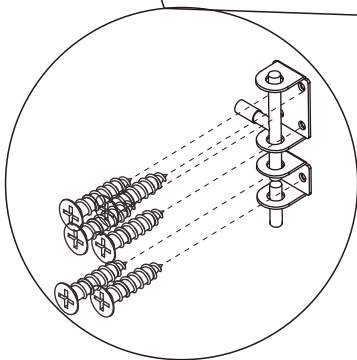
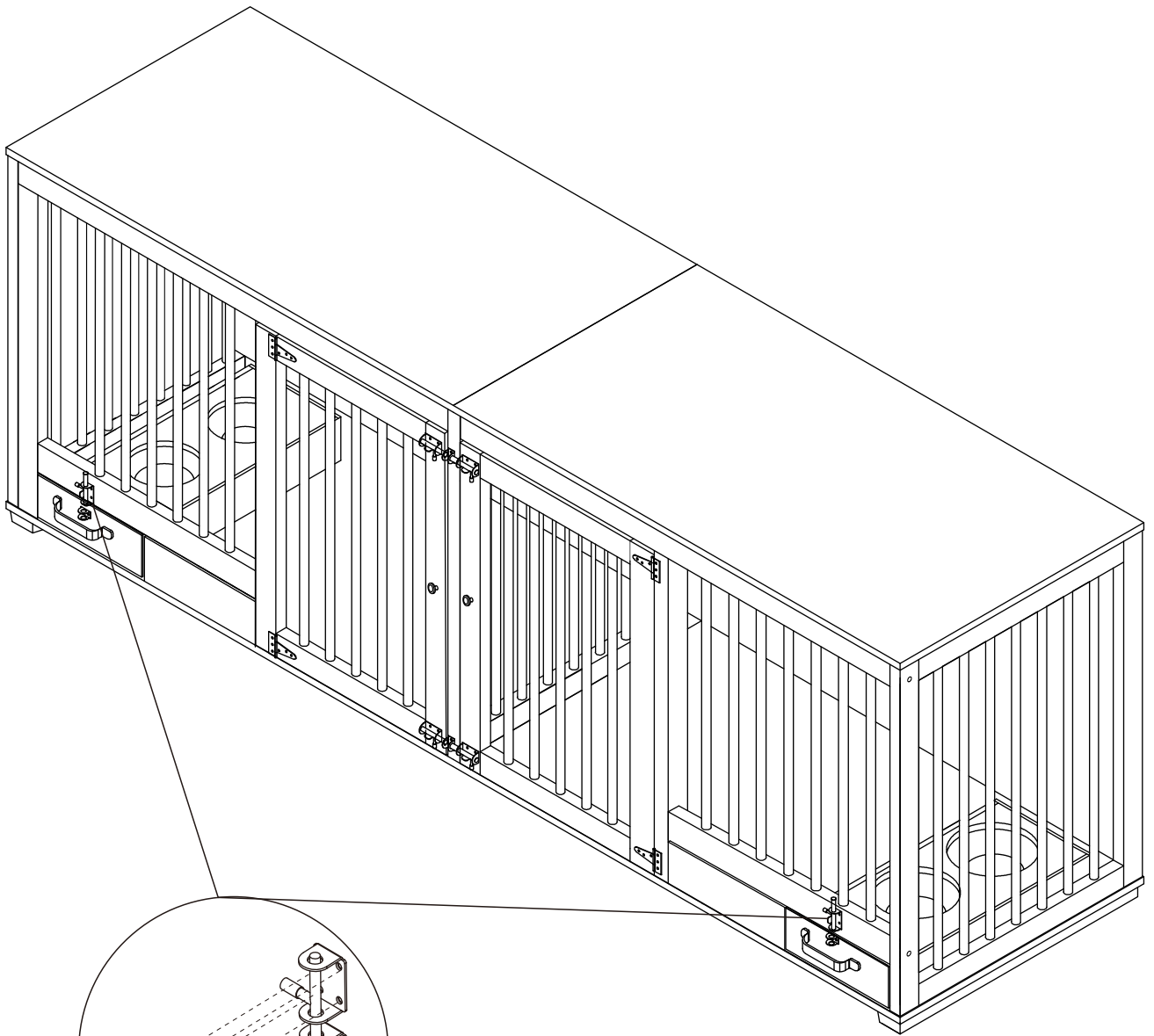
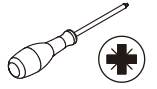
Lx 2



Lx 12



Ø 3.5x14mm

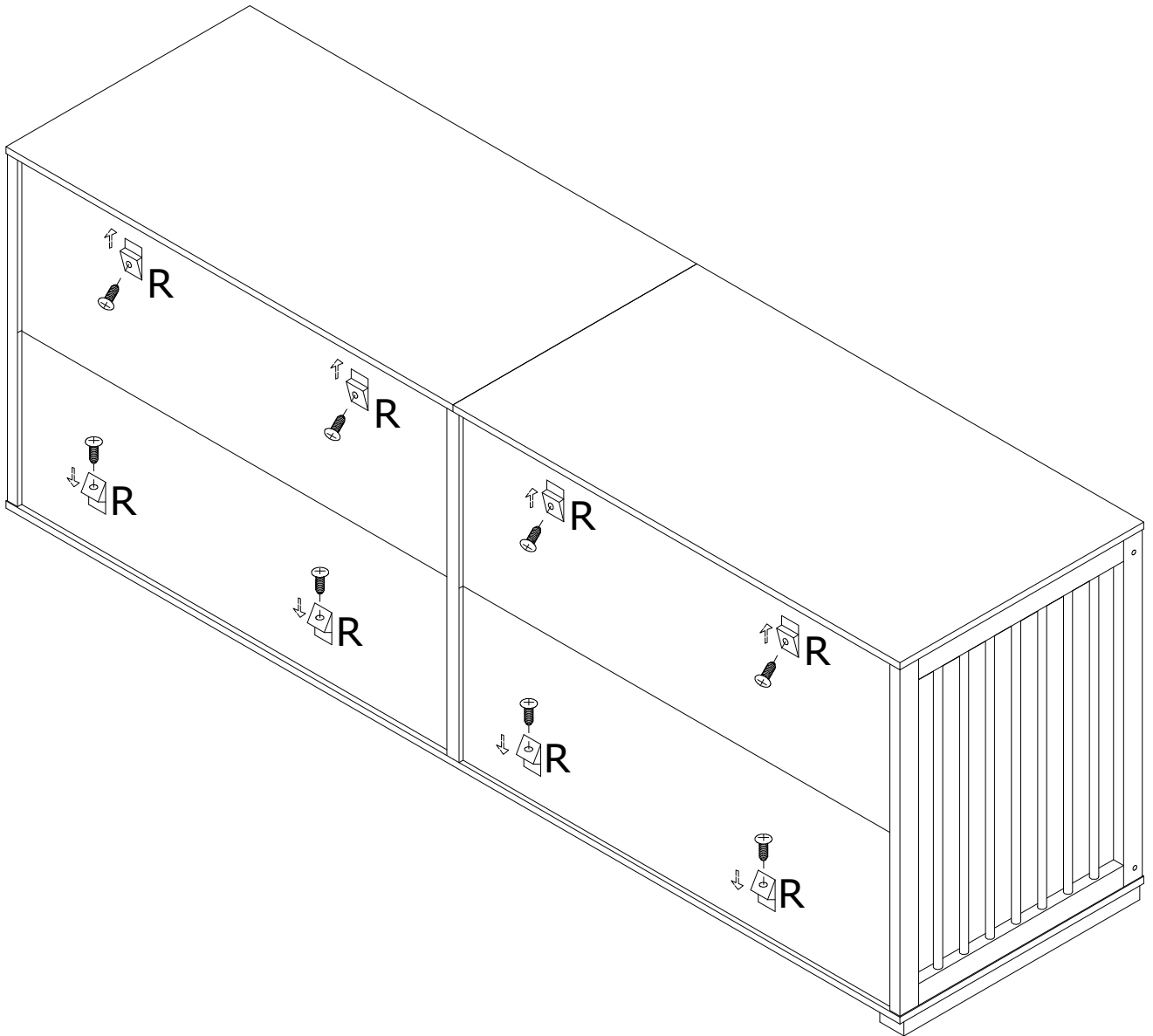
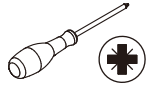


27

R x 8



∅ 3 x 12mm

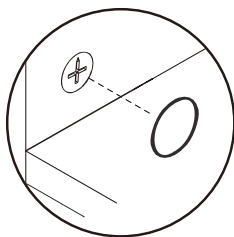
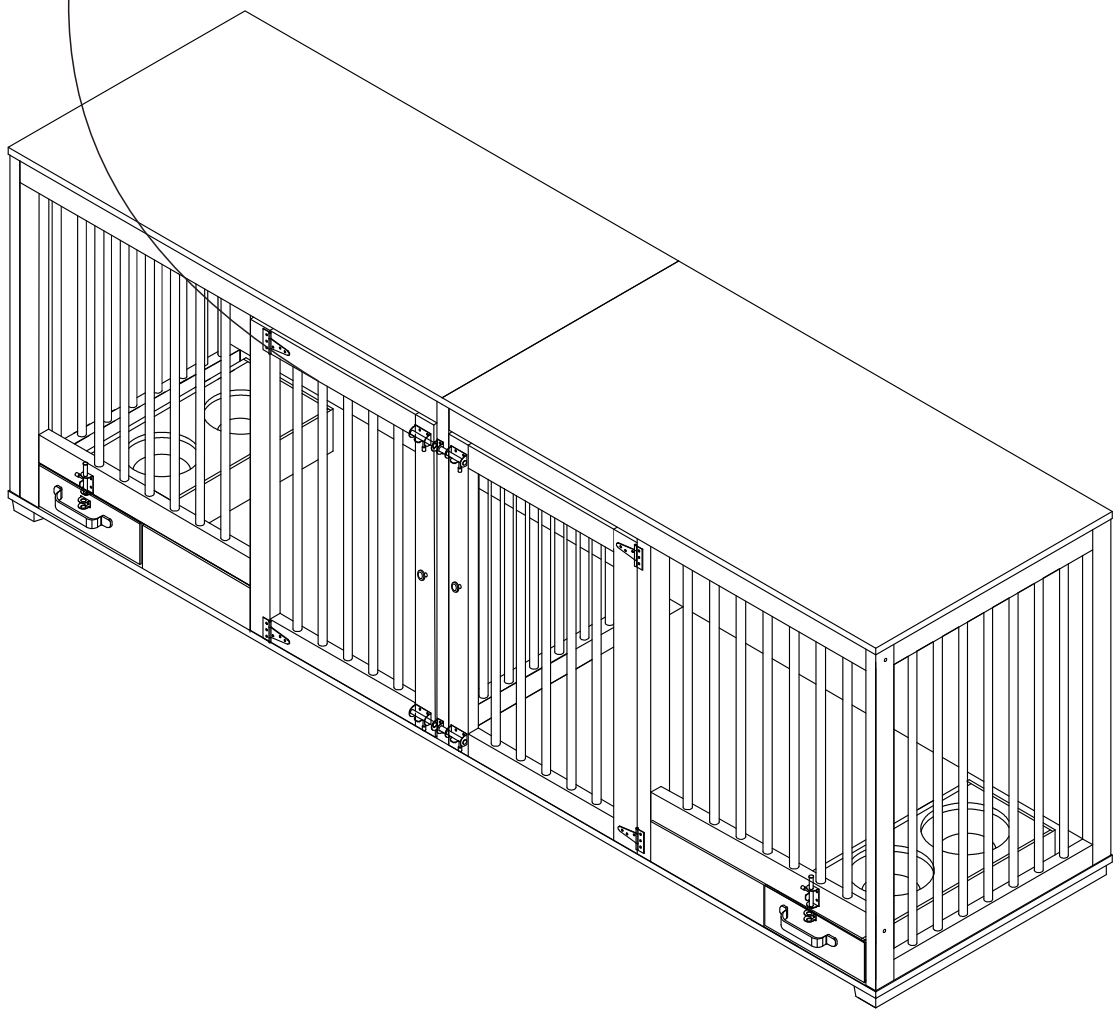
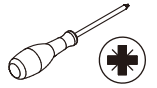


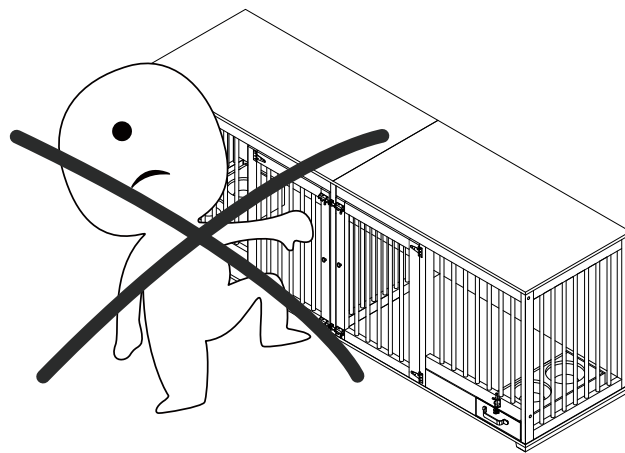
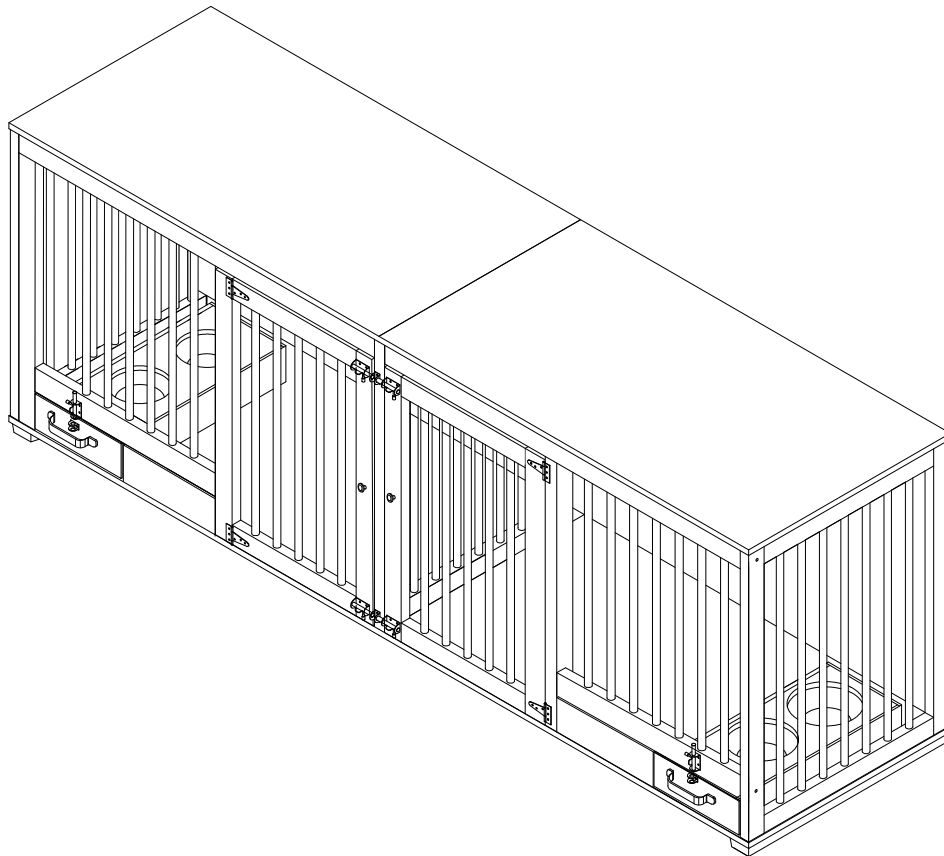
28

Sx82



Zx1





Serious or fatal crushing injuries can occur from furniture tip-over.
 To further reduce the risk of serious injury and death from tip-overs:

Schwere oder tödliche Quetschverletzungen können durch Umkippen von
 Möbeln auftreten.
 Um das Risiko schwerer Verletzungen und Todesfälle durch Umkippungen
 weiter zu reduzieren.

WARRANTY

WARRANTY CLAIMS

- There is a 30-day warranty for broken furniture or any other problems that do not work properly. The warranty will start from the date of purchase which must be verified by proof of purchase.
- Before making a claim, we may be able to answer your query, simply call us. Please leave your purchase order number, along with some details of the problem, if you want a replacement part. We will arrange within 48 hours. If there is out of stock, we will reply with a shipping date.
- The product must be used in accordance with the instructions provided. For health reasons.
- For other reasons, if the furniture needs to be returned, it must be cleaned and dried and operated within 30 days of receipt.

Type of Warranty Claim

- Failure to follow the furniture instructions will invalidate the warranty. Attention please.
- Does not include damage during installation, but includes damage during transportation.

Scope of responsibility

- Shall not bear any responsibility for misuse or user damage and / or loss of parts during the installation of furniture.
- After using, the damage and scratches of the furniture are not covered by the warranty.

The Warranty Relates to All Bought in The Us and Covers The Following Areas

- Sheet parts: 1 month from the date of purchase.
- Electrical parts: 1 month from the date of purchase.

RETURNS

CHANGED YOUR MIND AND NEED TO RETURN YOU ITEM?

PLEASE FOLLOW THE BELOW INSTRUCTIONS:

- If you have purchased and have simply changed your mind, follow the retailer's instructions for returns.

DEFECTIVE ITEMS

- If your item is defective in any way, i.e. it doesn't work but you can't identify why, in the first instance, please call us.

DAMAGED ITEMS

- If you receive an order with obvious shipping damage from the retailer, then we suggest the delivery is refused. If the delivery has been accepted and then shipping damage is found, please follow the specific instructions advised by the retailer.
In all circumstances please save all packaging material and paperwork for the order. Please be aware that if you dispose of packaging material or attempt to return the merchandise without contacting the fulfiller, you jeopardise your chances of making a claim, and you may not receive a credit for the return.