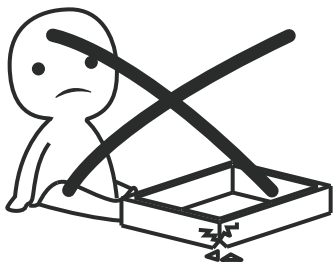




IMPORTANT INFORMATION!

please read the entire manual before starting to assemble and/or using this product. follow the manual thoroughly and keep it for further reference.



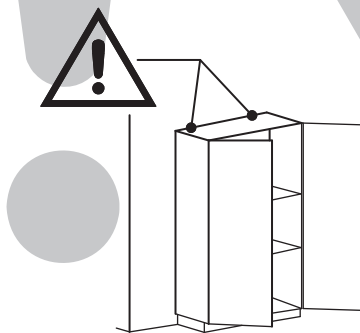
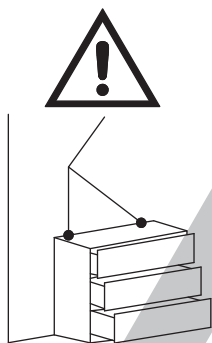
AVOID SCRATCHES!

In order to avoid scratching this furniture should be assembled on a soft layer- could be a rug.



IMPROVE EFFICIENCY !

Try to find a partner to install with you, which can speed up the installation efficiency and shorten the time.



ANTI-TOPPLE WARNING !

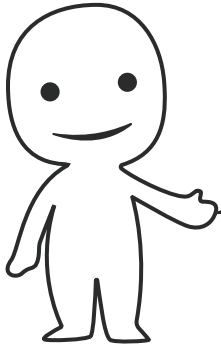
Overturnd furniture can cause serious or fatal crush injuries. To prevent tipping over, be sure to use the wall attachment, if not included with this product. Please purchase the wall attachment that fit your wall. If unsure, seek professional advice. Please read and follow each step of the instructions carefully.

IMPORTANT !

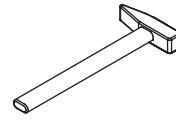
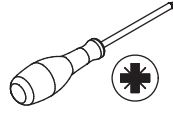
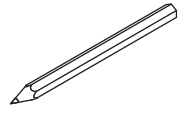
It is important that any product which is assembled using any kind of screw is re-tightened 2 weeks after assembly, and once every 3 months - in order to assure stability through-out the lifespan of the product.

For regular maintenance and cleaning of the product, for the frame, please use a rag dipped in neutral detergent to fully wipe it, and then dry it with a clean rag. For glass materials, wipe with a rag dampened with water glass cleaner, and then dry with a dry rag.

Do not use an electric screwdriver, and do not use too much force when installing, because the board is easy to break.

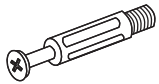


Please prepare the following tools



When installing, please carefully confirm whether each screw corresponds to the manual, accessories with similar shapes can be distinguished by size

A x 80



M6 x 35 mm

B x 84



M10 x 15 mm

C x 30



M6 x 30 mm

D x 42



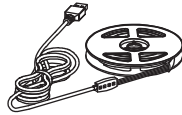
M4 x 14 mm

E x 52



M4 x 14 mm

F x 1

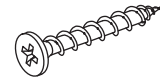


G x 19



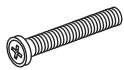
M6 x 10 mm

H x 2



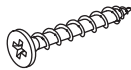
M5 x 60 mm

I x 6



M6 x 45 mm

J x 36

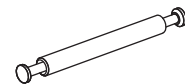


M4 x 40 mm

K x 4



L x 2



M6 x 74 mm

M x 2



M6 x 50 mm

N x 7



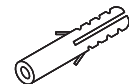
M6 x 10 mm

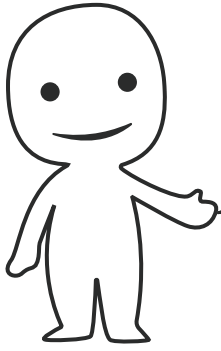
O x 7



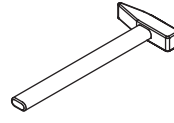
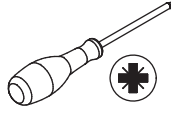
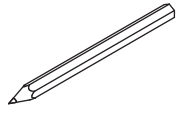
M6 x 15 mm

P x 2



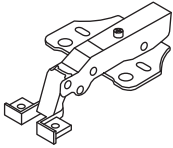


Please prepare the following tools

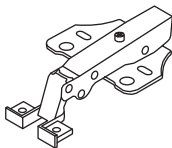


When installing, please carefully confirm whether each screw corresponds to the manual, accessories with similar shapes can be distinguished by size

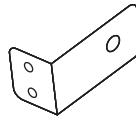
Q x 6



R x 4



S x 2

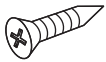


T x 20



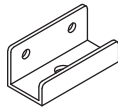
M4 x 8 mm

U x 36



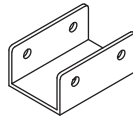
M4 x 12 mm

V x 6



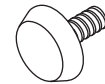
50 x 20 x 22 mm

W x 1

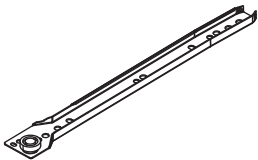


50 x 30 x 22 mm

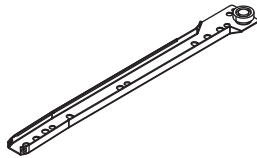
X x 7



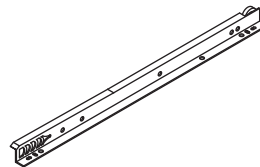
CL x 4



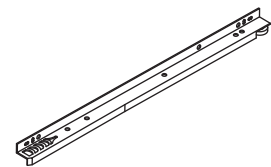
CR x 4

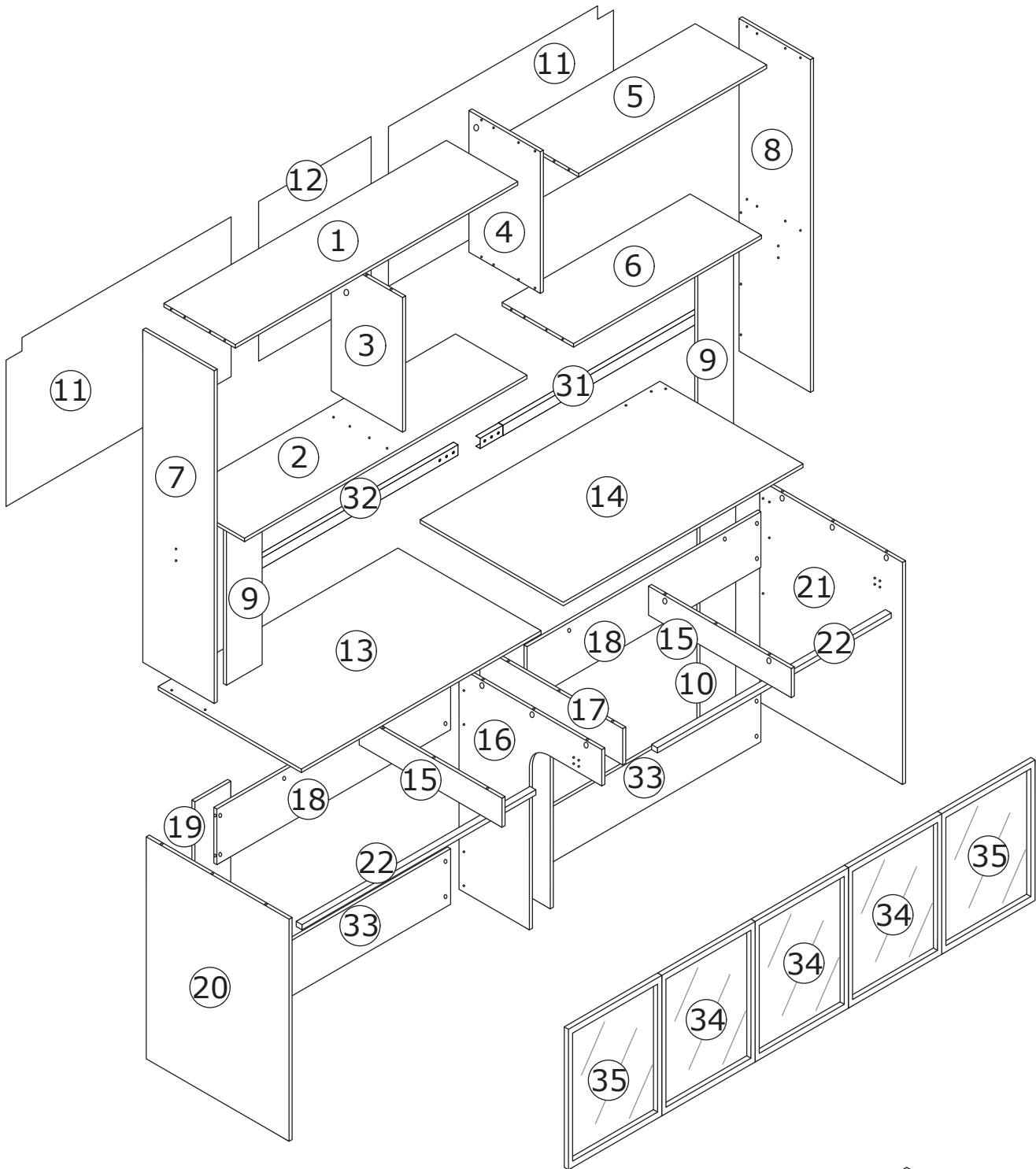


DL x 4



DR x 4





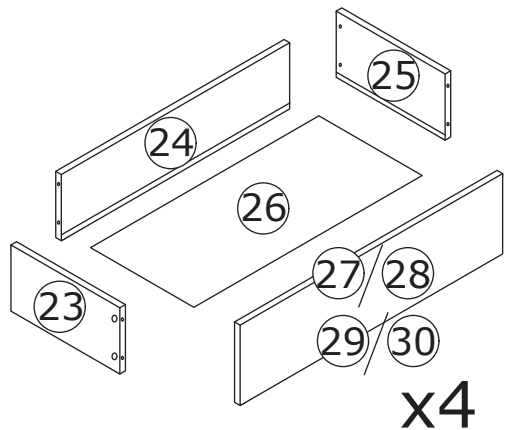
⚠ WARNING



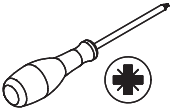
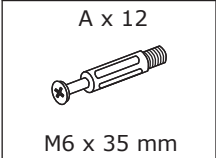
Children have died from furniture tipover. To reduce the risk of furniture tipover:

- ALWAYS install Anti-tip device provided.
- NEVER put a TV on this product.
- NEVER allow children to stand, climb or hang on drawers, doors, or shelves.
- NEVER open more than one drawer at a time.
- Place heaviest items in the lowest drawers.

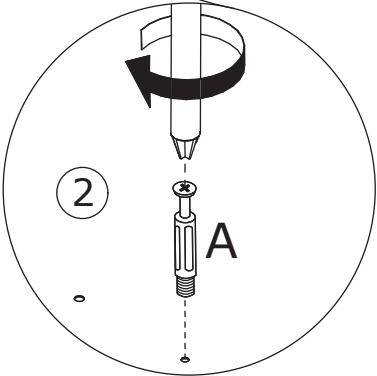
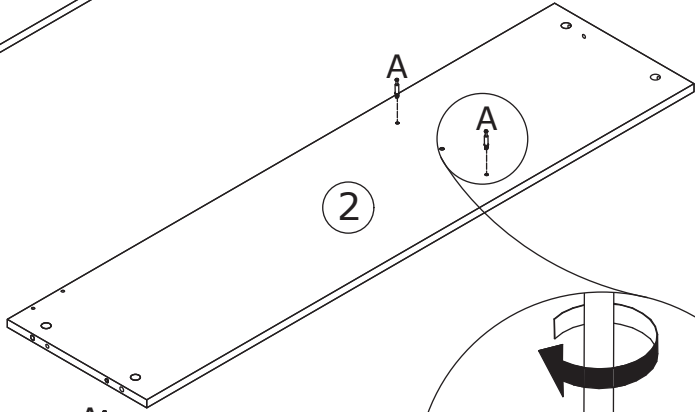
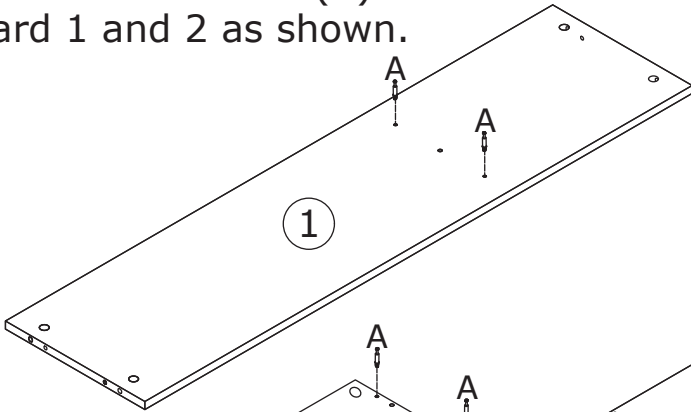
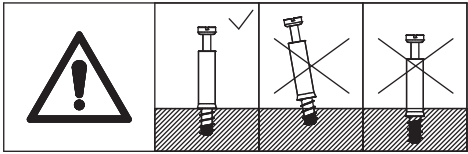
*This is a permanent label.
Do not remove!*



1

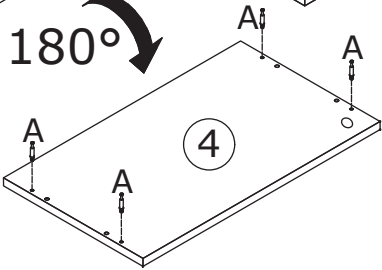


Screw eccentric rod(A) into board 1 and 2 as shown.

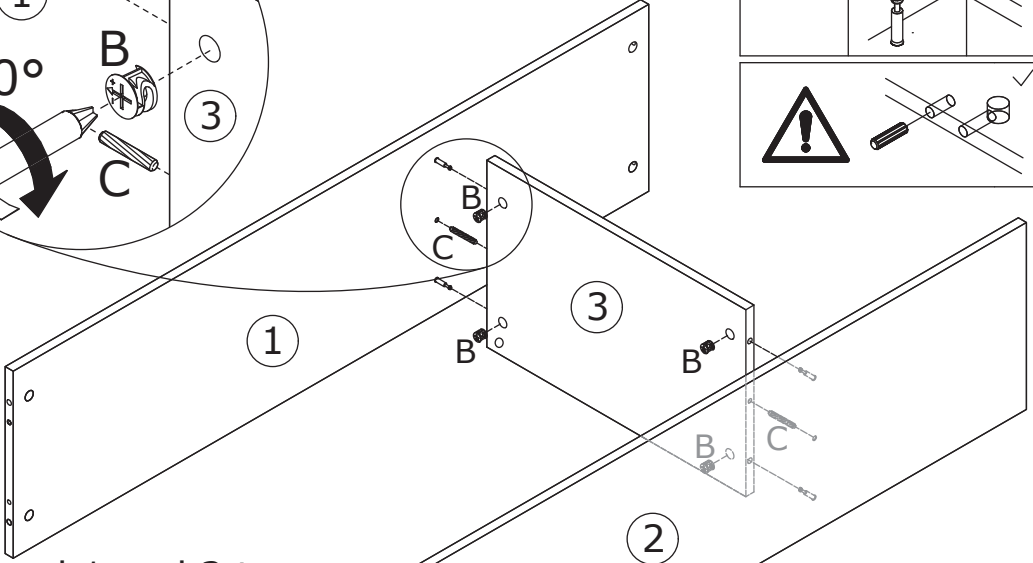
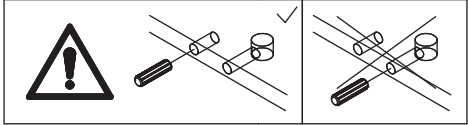
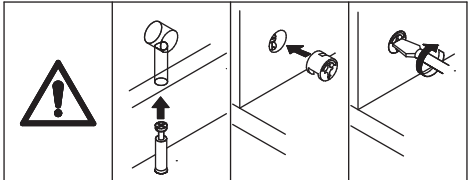
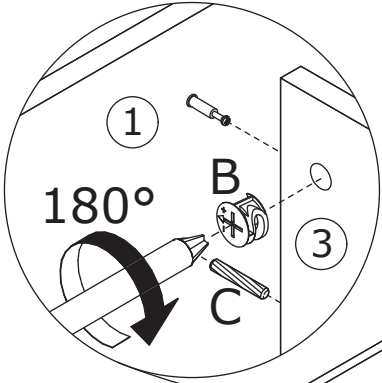
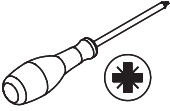
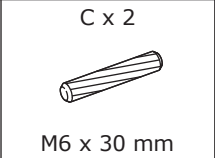
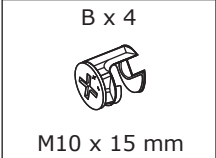


Screw eccentric rod(A) into board 4 and flip to back, screw eccentric rod(A) into as shown.

180°

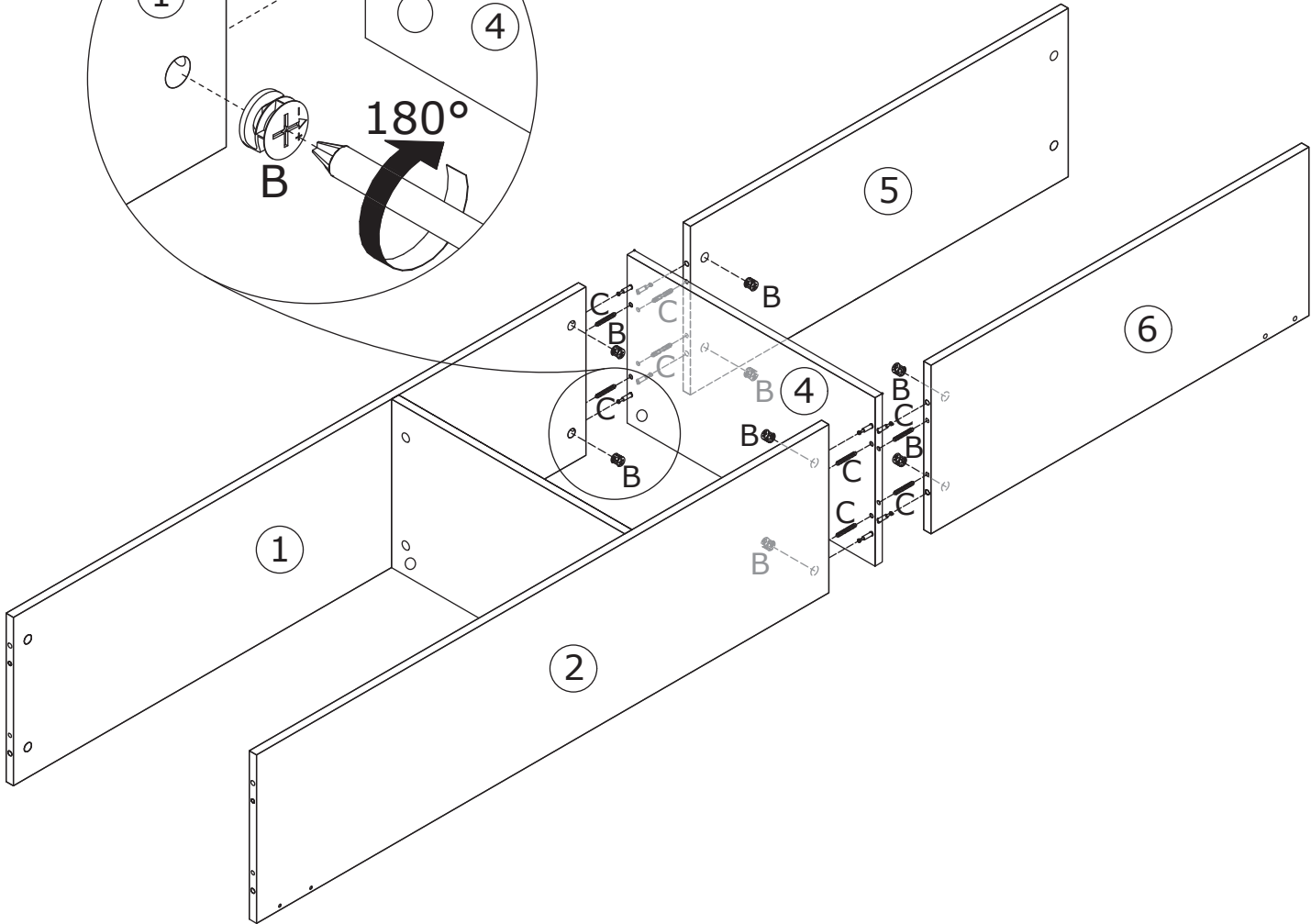
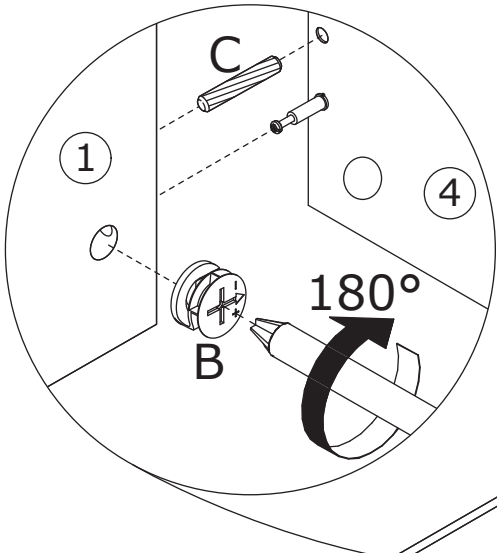
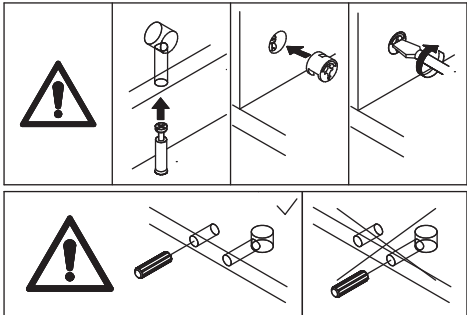
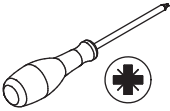
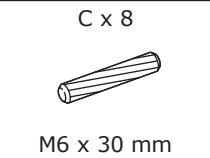
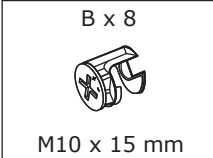


2



Connect board 1 and 2 to board 3 using wooden dowel(C), add cam lock(B) into board 3 and turn clockwise to tighten as shown.

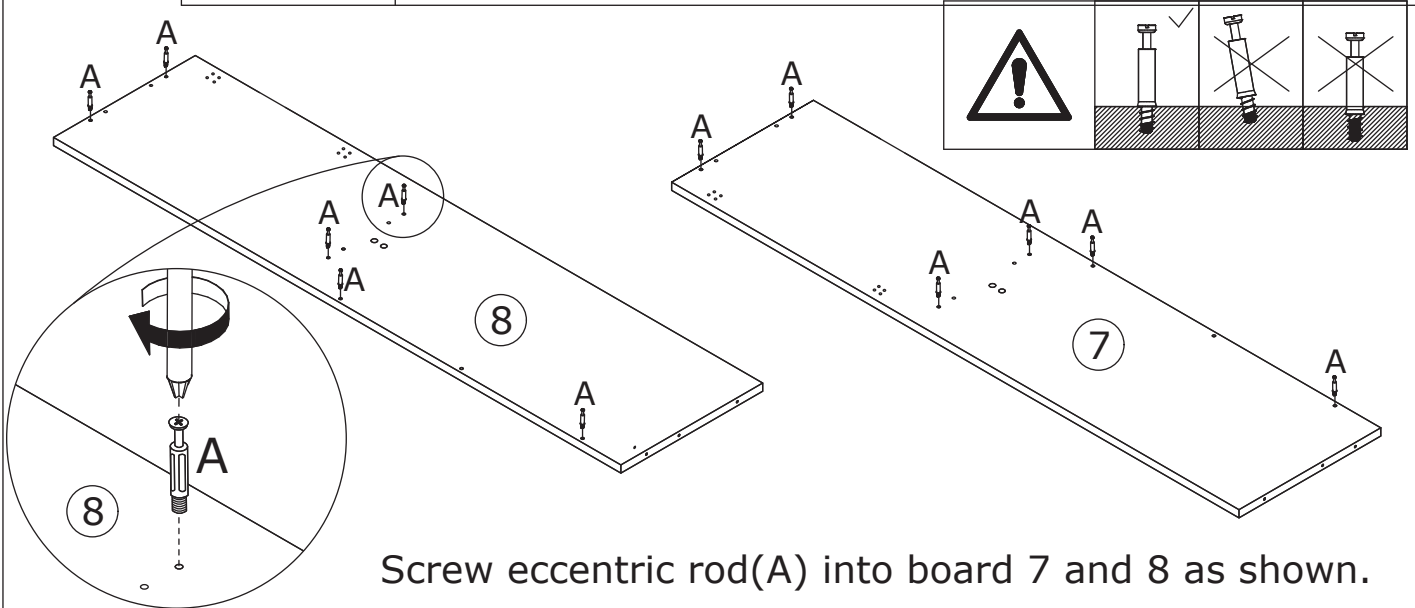
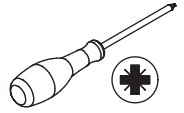
3



Connect board 1, 2, 5 and 6 to board 4 using wooden dowel(C), add cam lock(B) into board 1,2,5,6 and turn clockwise to tighten as shown.

4

A x 12
M6 x 35 mm

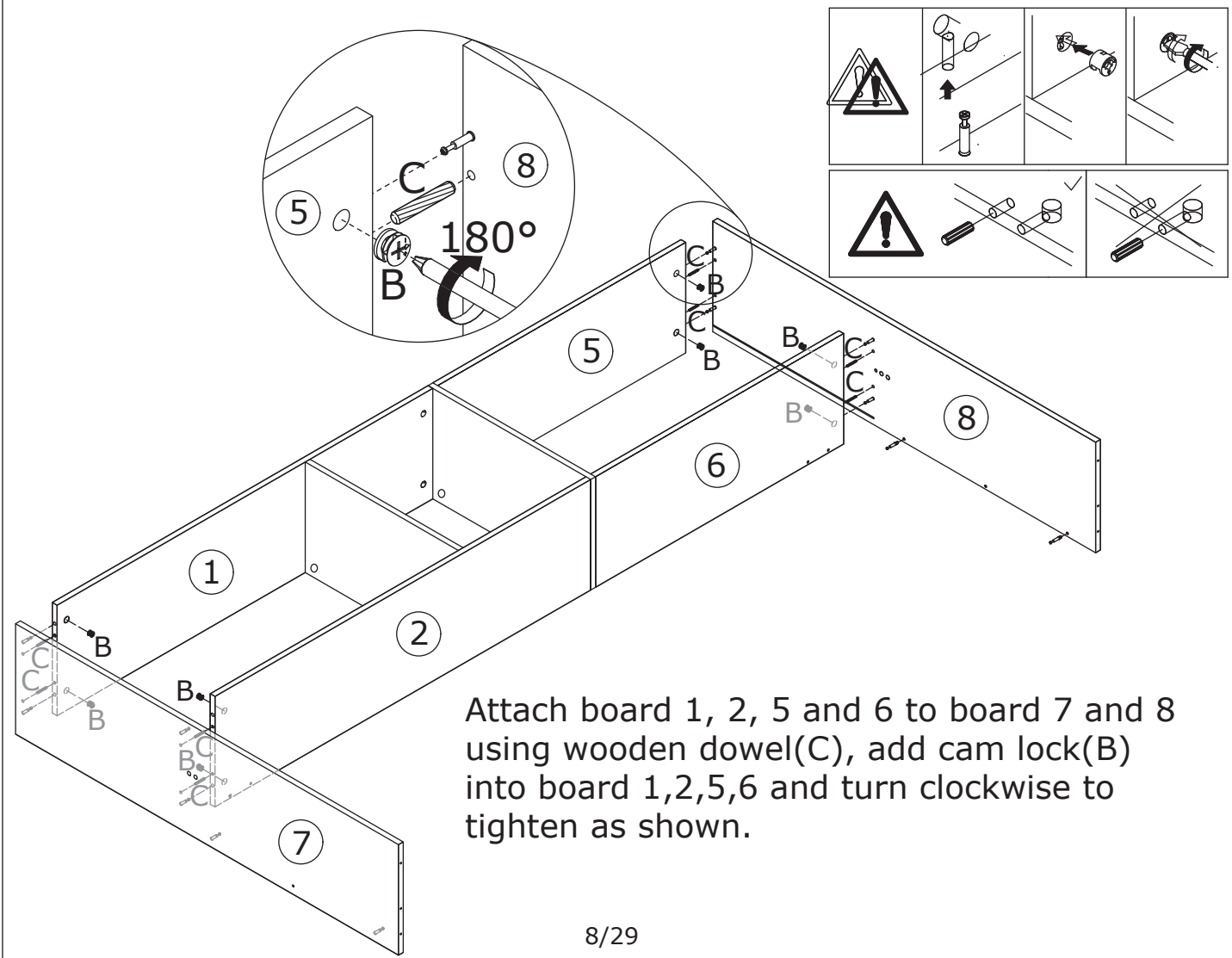
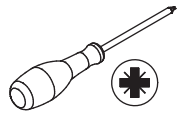


Screw eccentric rod(A) into board 7 and 8 as shown.

5

B x 8
M10 x 15 mm

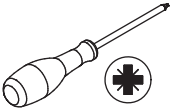
C x 8
M6 x 30 mm



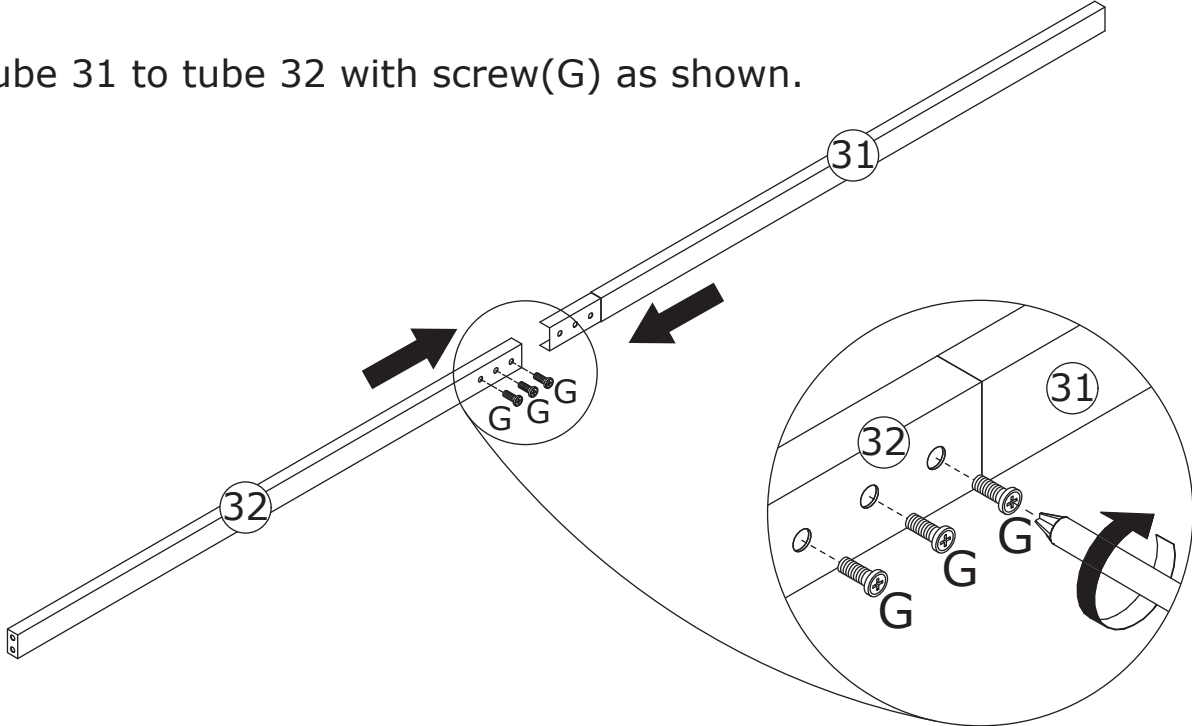
Attach board 1, 2, 5 and 6 to board 7 and 8 using wooden dowel(C), add cam lock(B) into board 1,2,5,6 and turn clockwise to tighten as shown.

6

G x 3
M6 x 10 mm

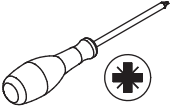


Fix tube 31 to tube 32 with screw(G) as shown.

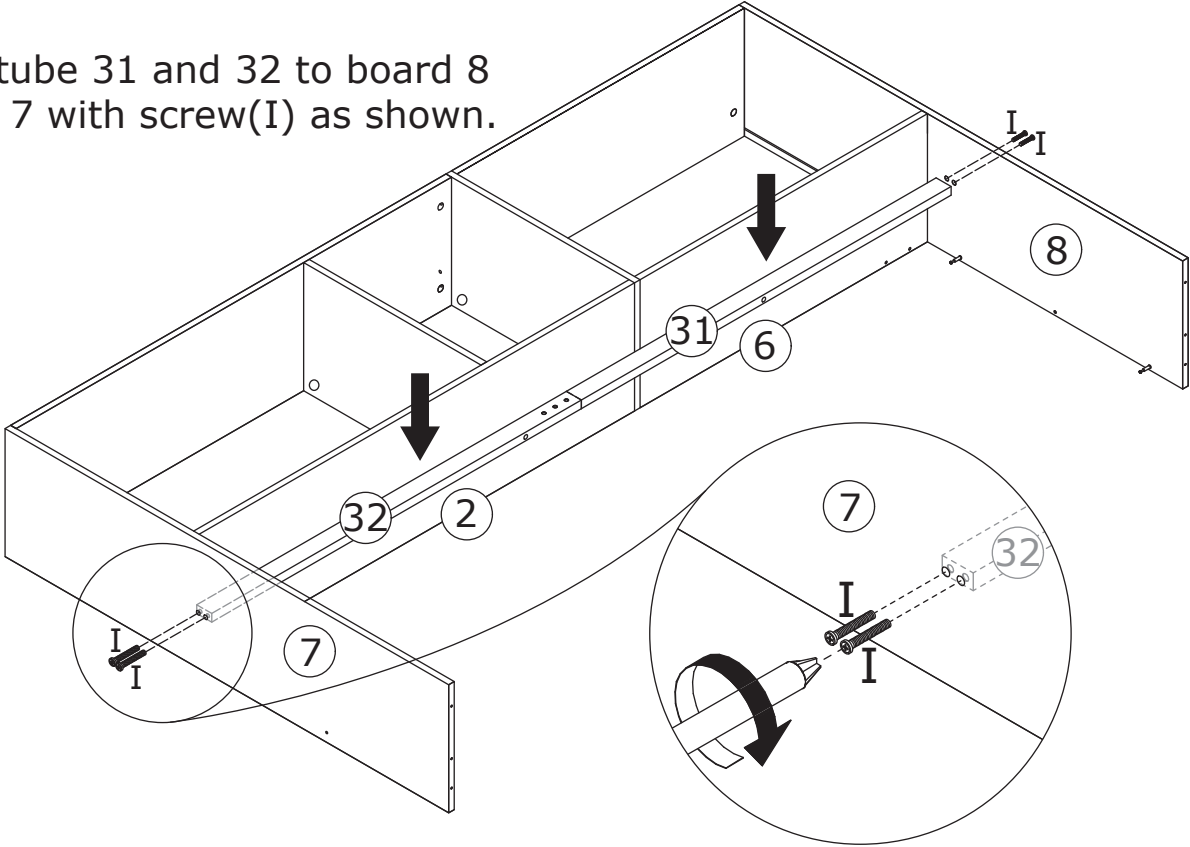


7

I x 4
M6 x 45 mm

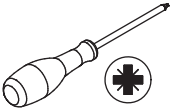


Fix tube 31 and 32 to board 8 and 7 with screw(I) as shown.

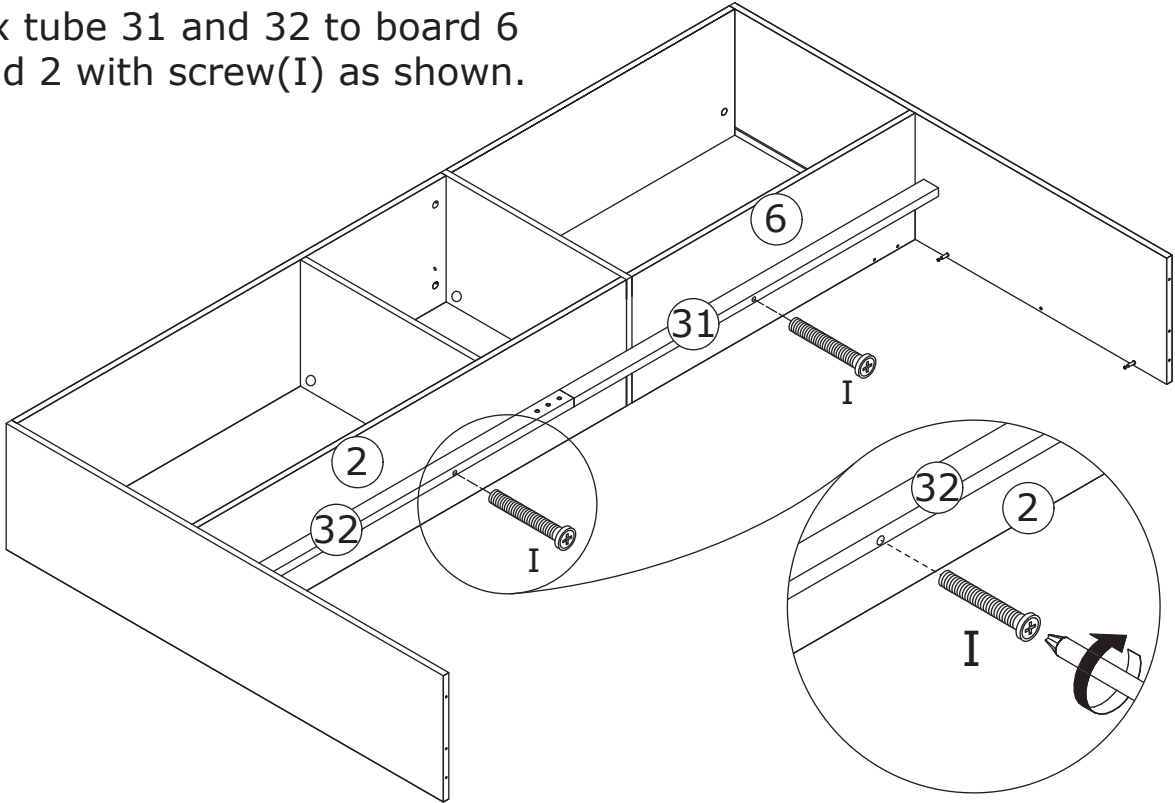


8

I x 2
M6 x 45 mm



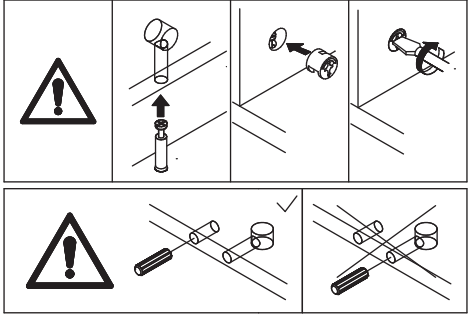
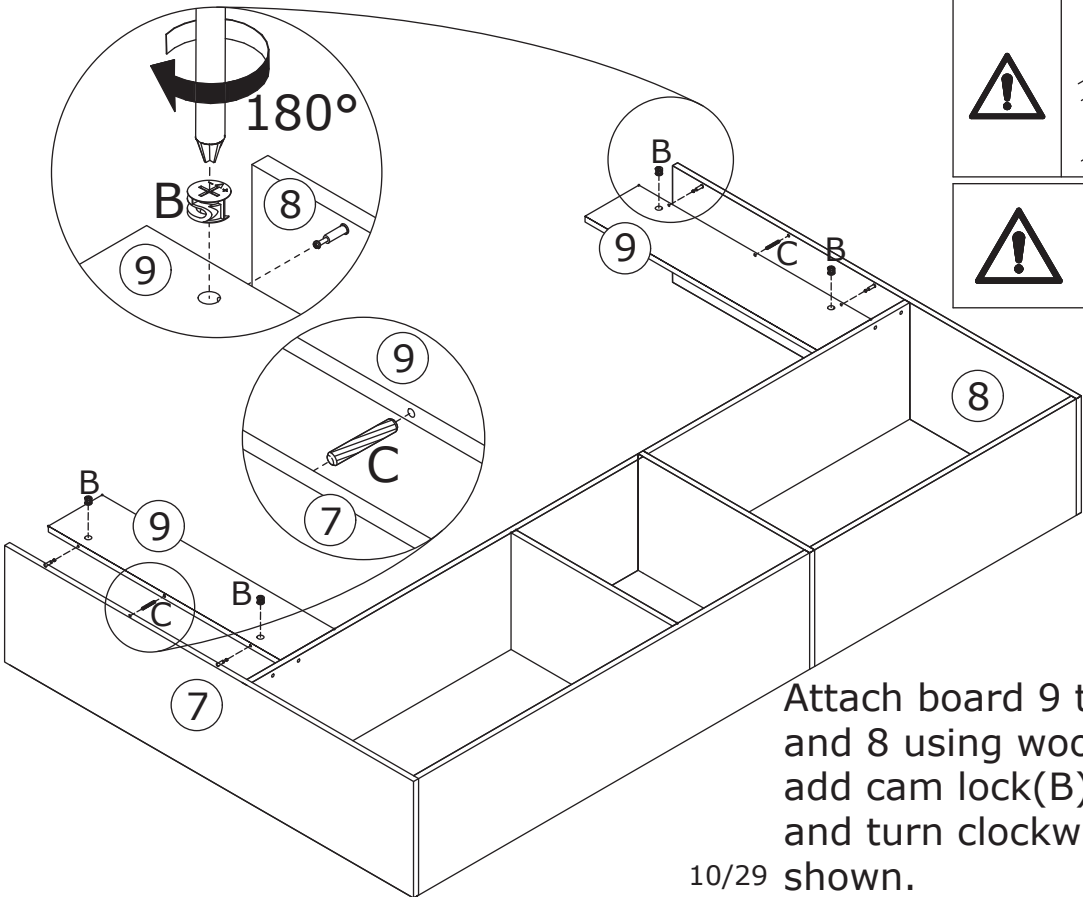
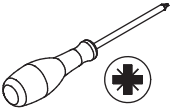
Fix tube 31 and 32 to board 6 and 2 with screw(I) as shown.



9

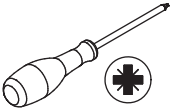
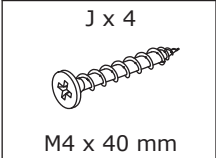
B x 4
M10 x 15 mm

C x 2
M6 x 30 mm

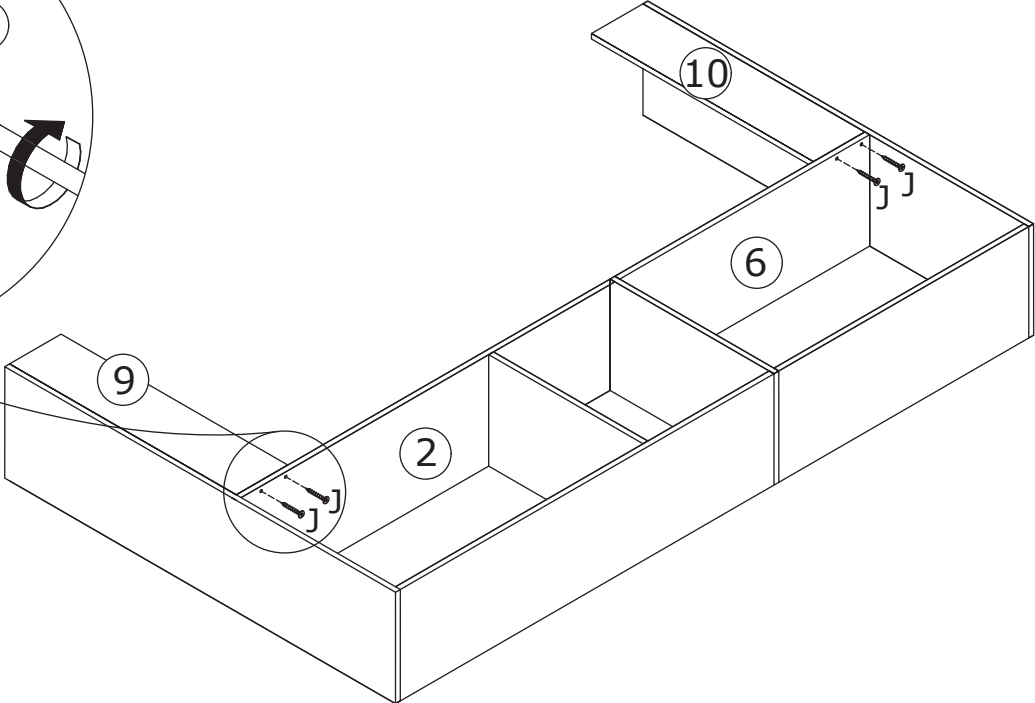
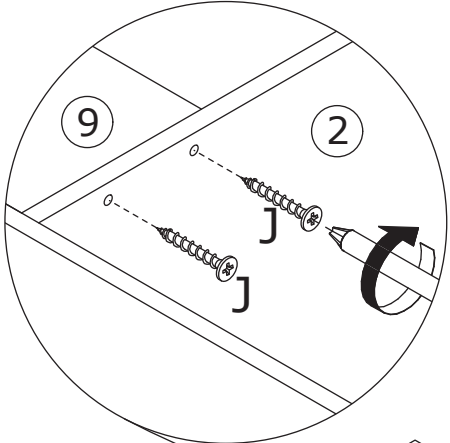


Attach board 9 to board 7 and 8 using wooden dowel(C), add cam lock(B) into board 9 and turn clockwise to tighten as shown.

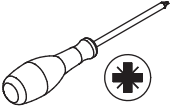
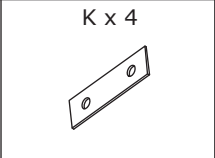
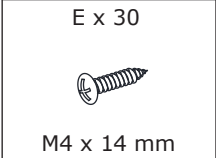
10



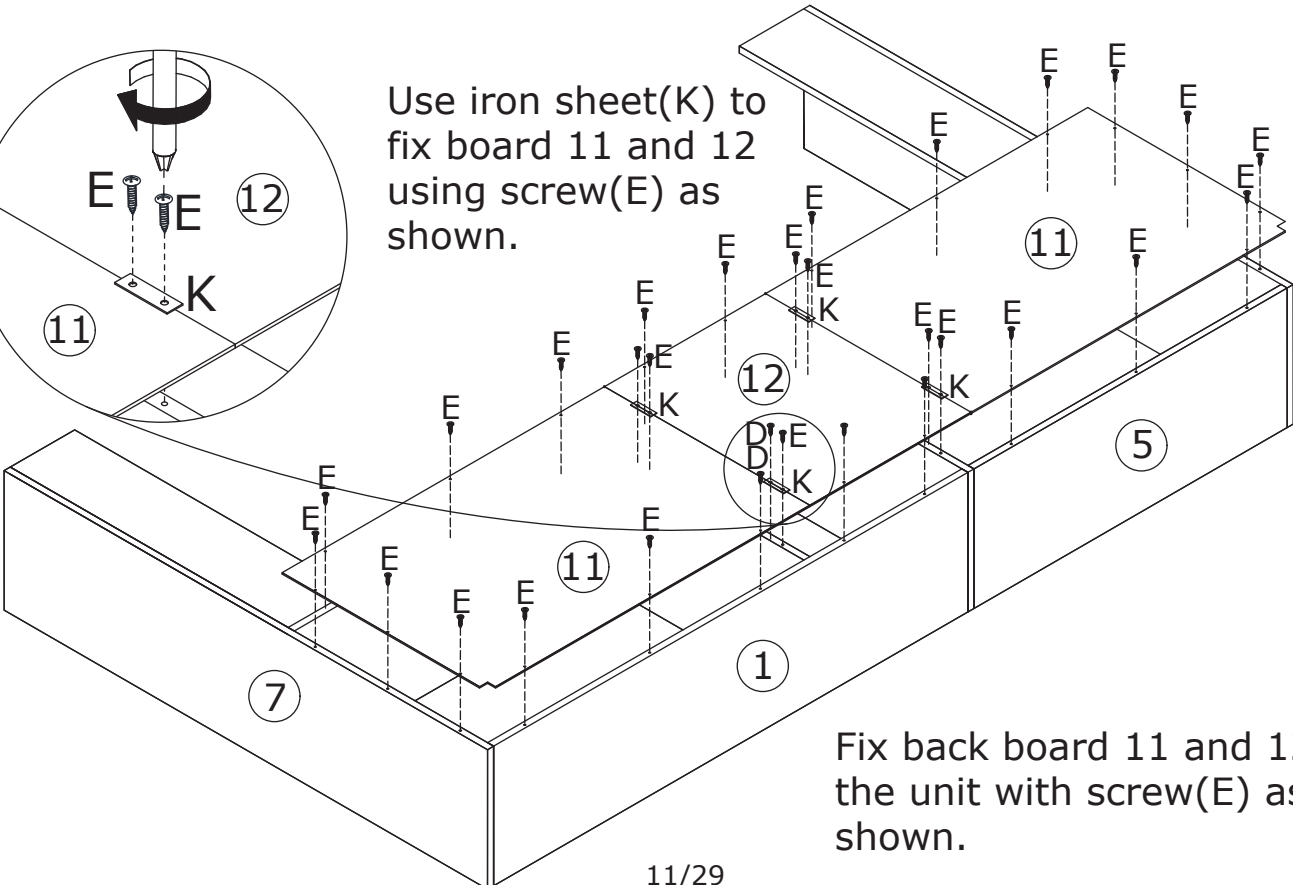
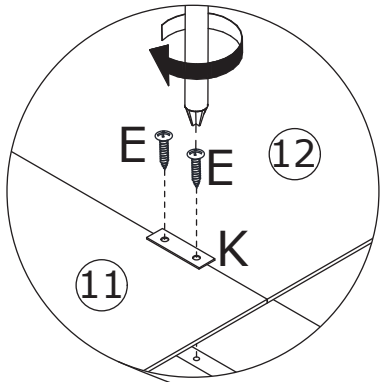
Fix board 9 and 10 to board 2 and 6 with screw(J) as shown.



11



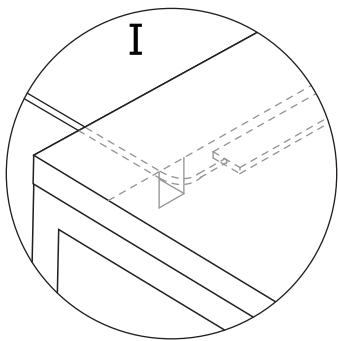
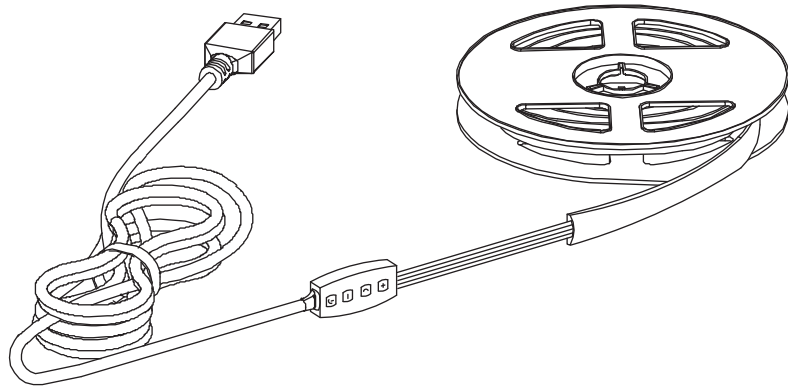
Use iron sheet(K) to fix board 11 and 12 using screw(E) as shown.



Fix back board 11 and 12 to the unit with screw(E) as shown.

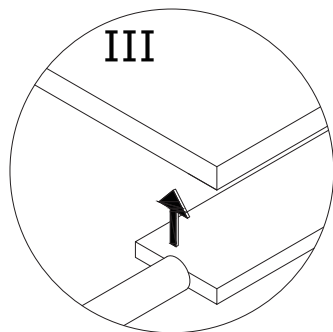
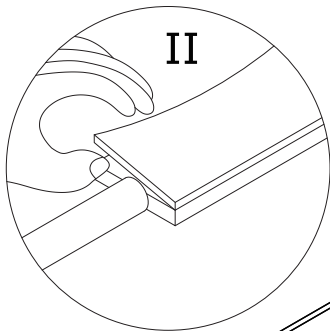
12

F x 1

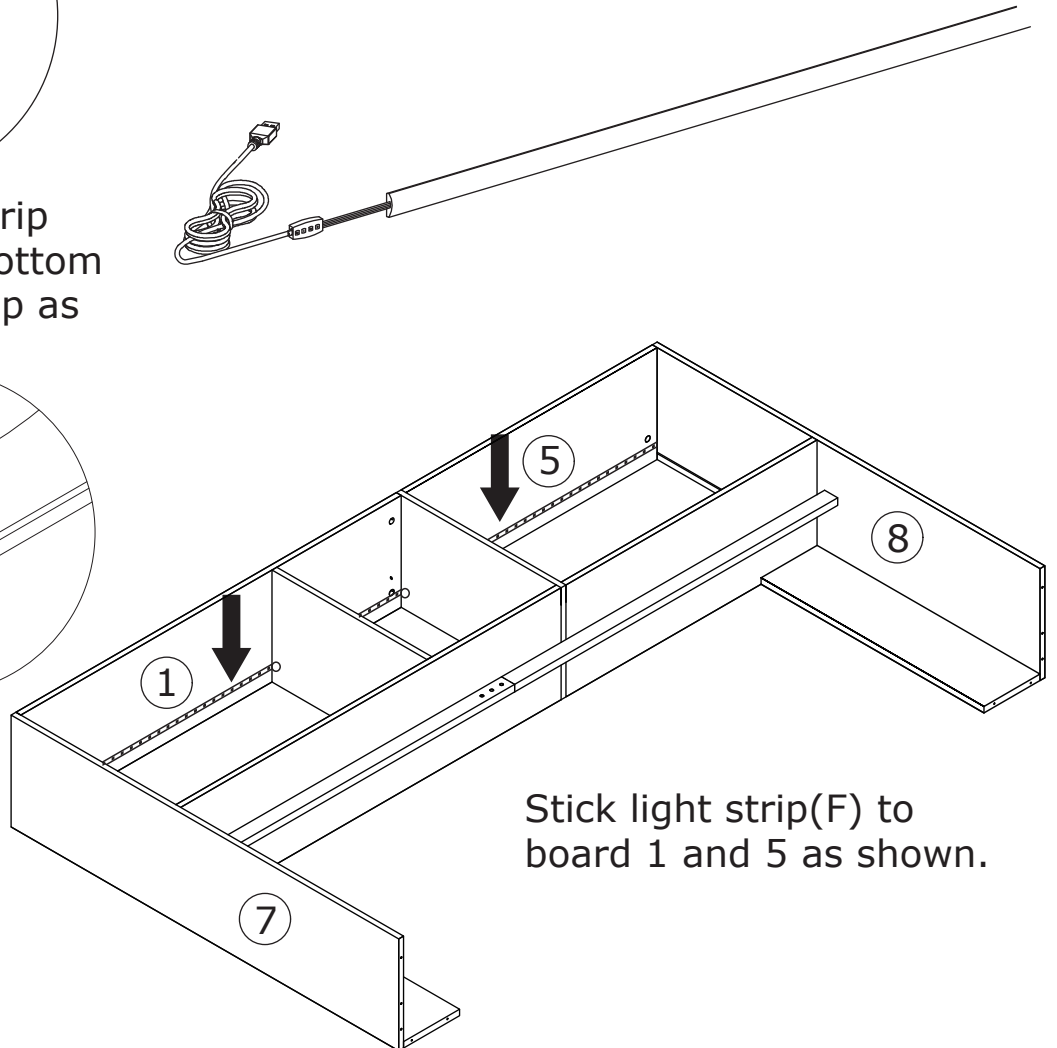


Thread the strip through the bottom hole to the top as shown.

Open the package and get the LED strip, clean the boards. keep the boards dry.

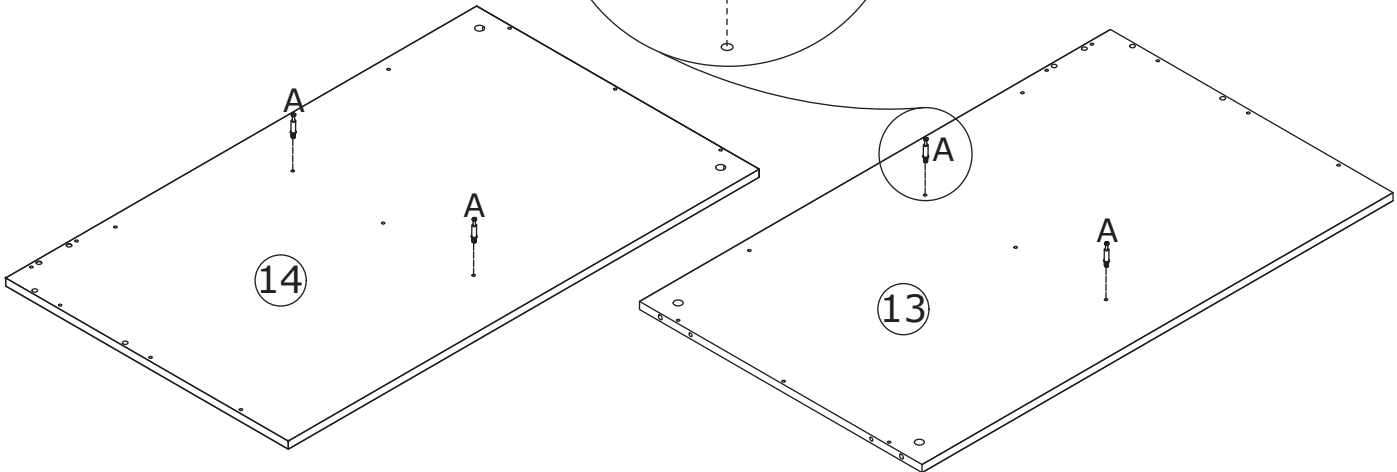
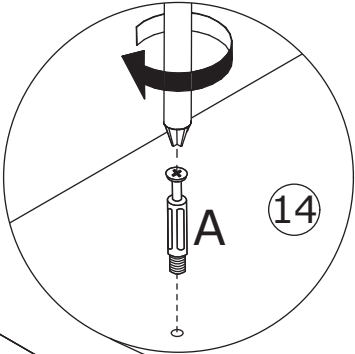
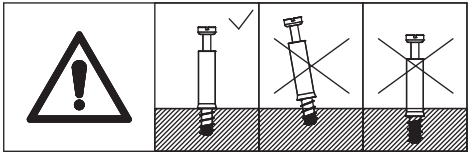
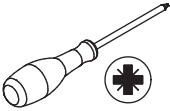
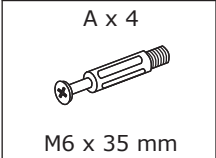


Tear off the tape of the light strip, stick the strip to the bottom from the top cabinet as shown.



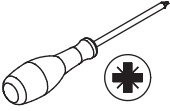
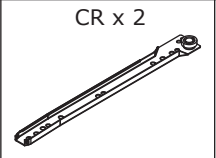
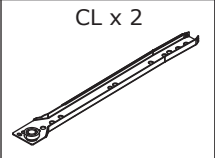
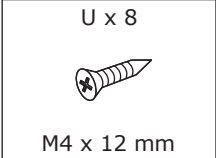
Stick light strip(F) to board 1 and 5 as shown.

13

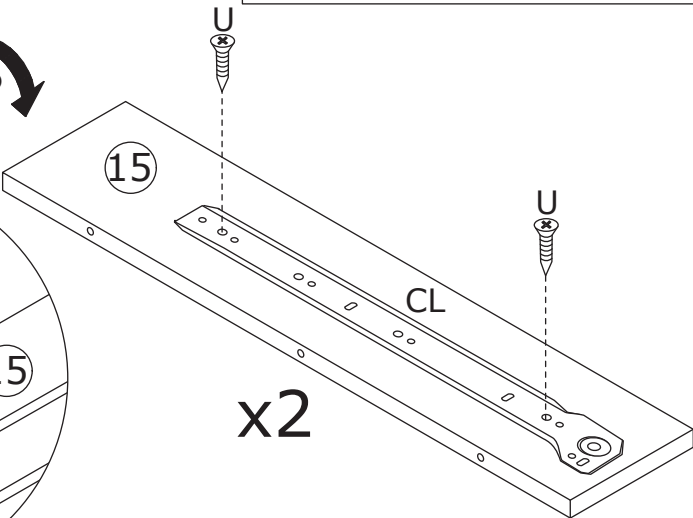
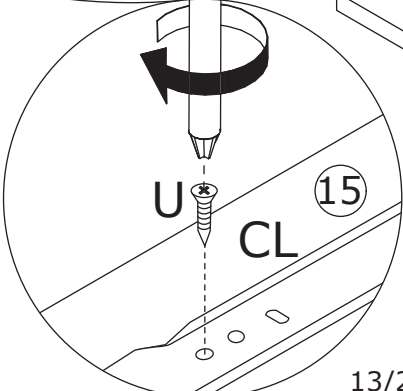
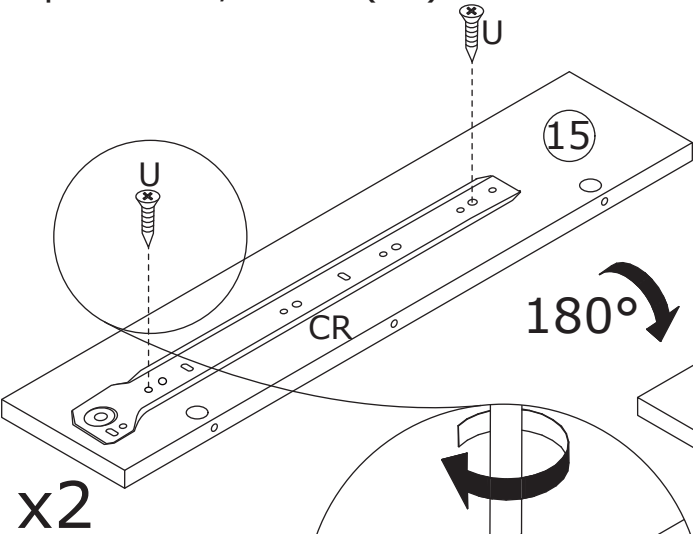
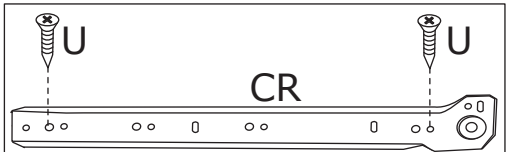
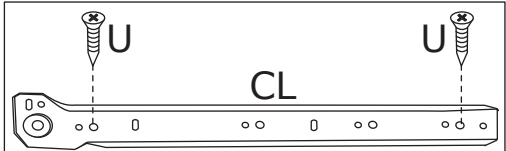


Screw eccentric rod(A) into board 13 and 14 as shown.

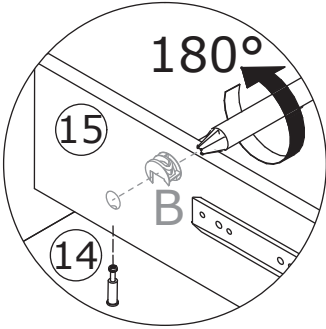
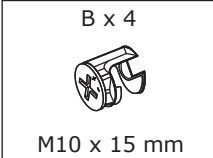
14



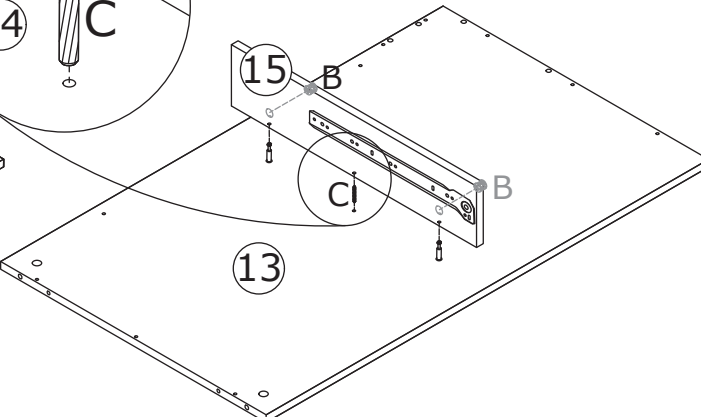
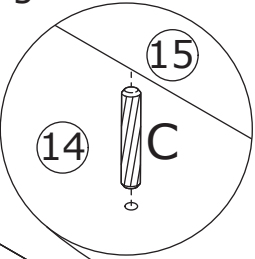
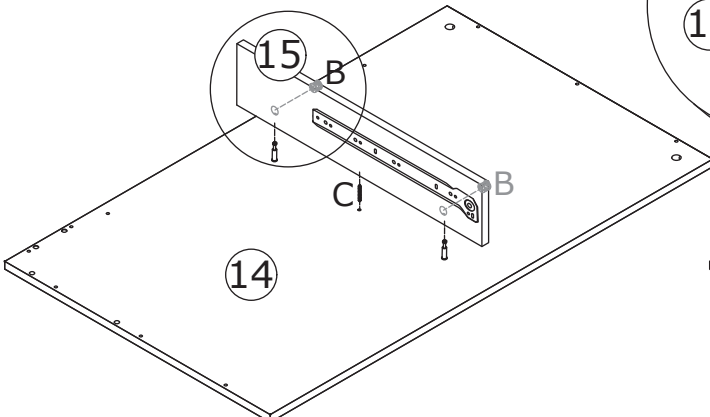
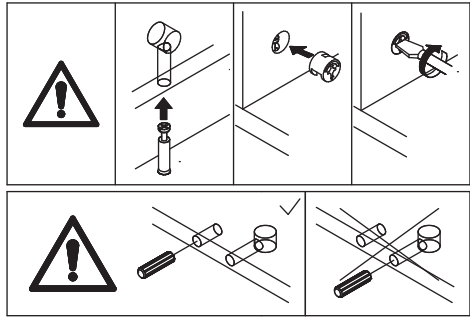
Fix rail(CR) to board 15 with screw(U) at first. Flip to back, fix rail(CL) as shown.



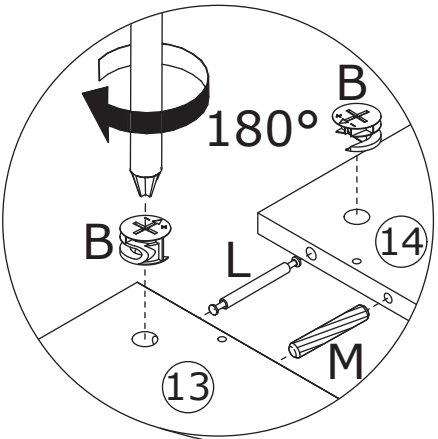
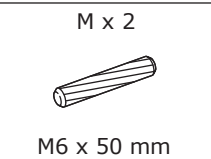
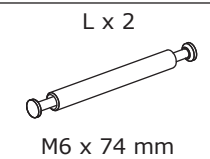
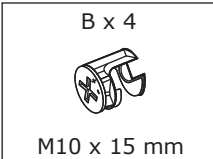
15



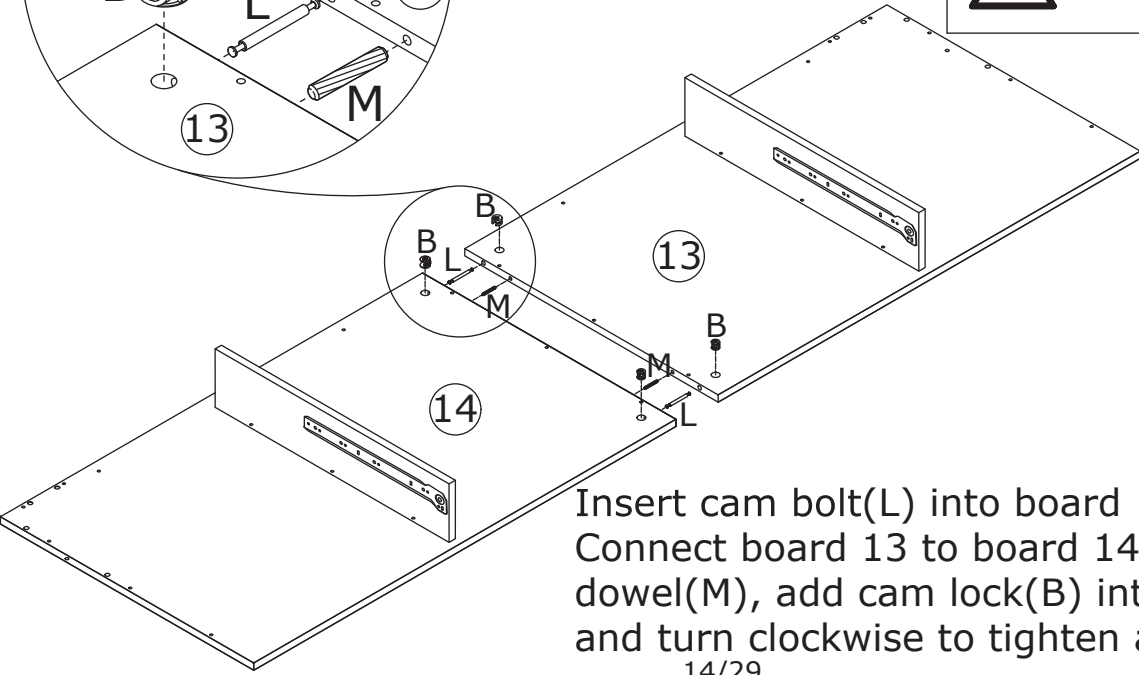
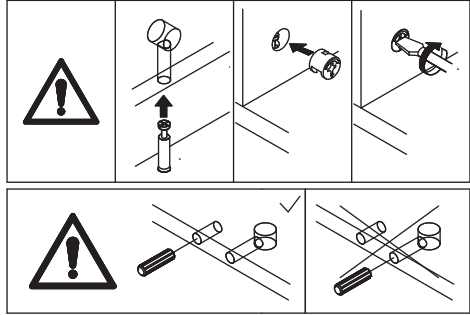
Attach board 15 to board 13 and 14 using wooden dowel(C), add cam lock(B) into board 15 and turn clockwise to tighten as shown.



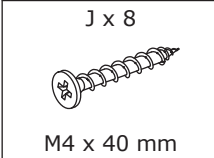
16



Insert cam bolt(L) into board 13 as shown. Connect board 13 to board 14 using wooden dowel(M), add cam lock(B) into board 13,14 and turn clockwise to tighten as shown.

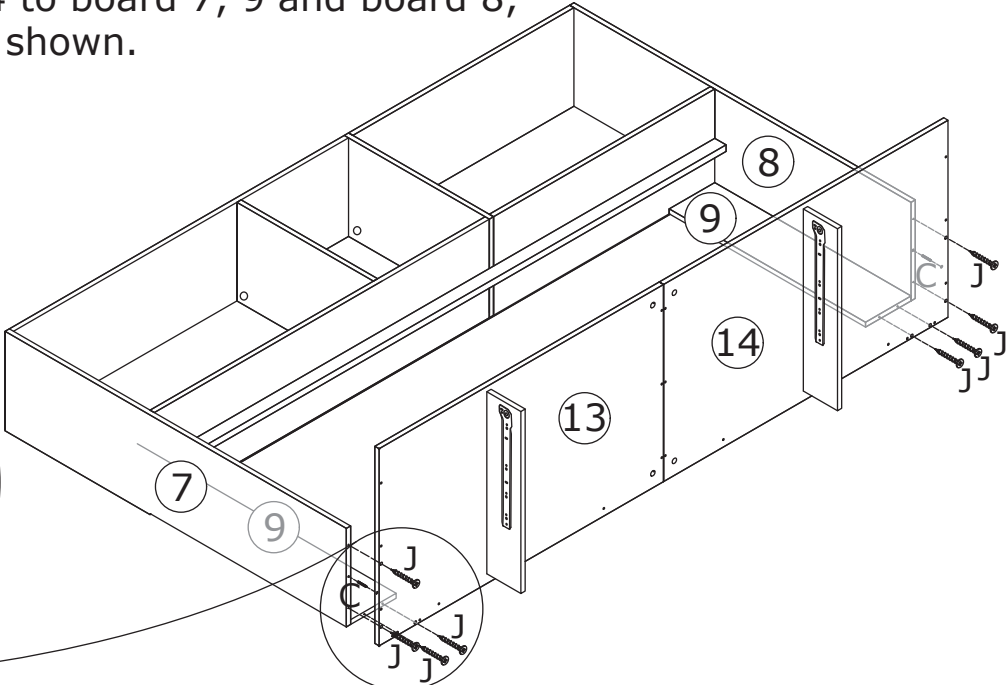
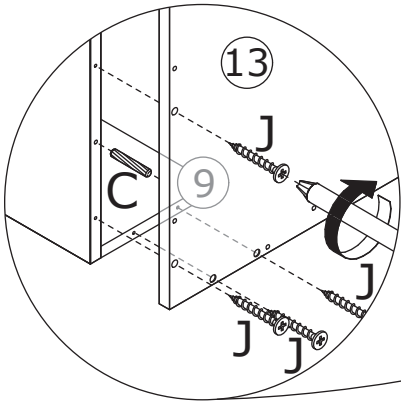
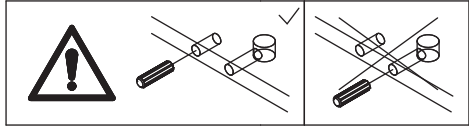


17

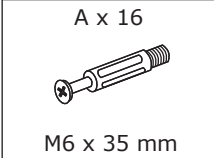


Insert wooden dowel(C) into board 7 and 8 as shown.

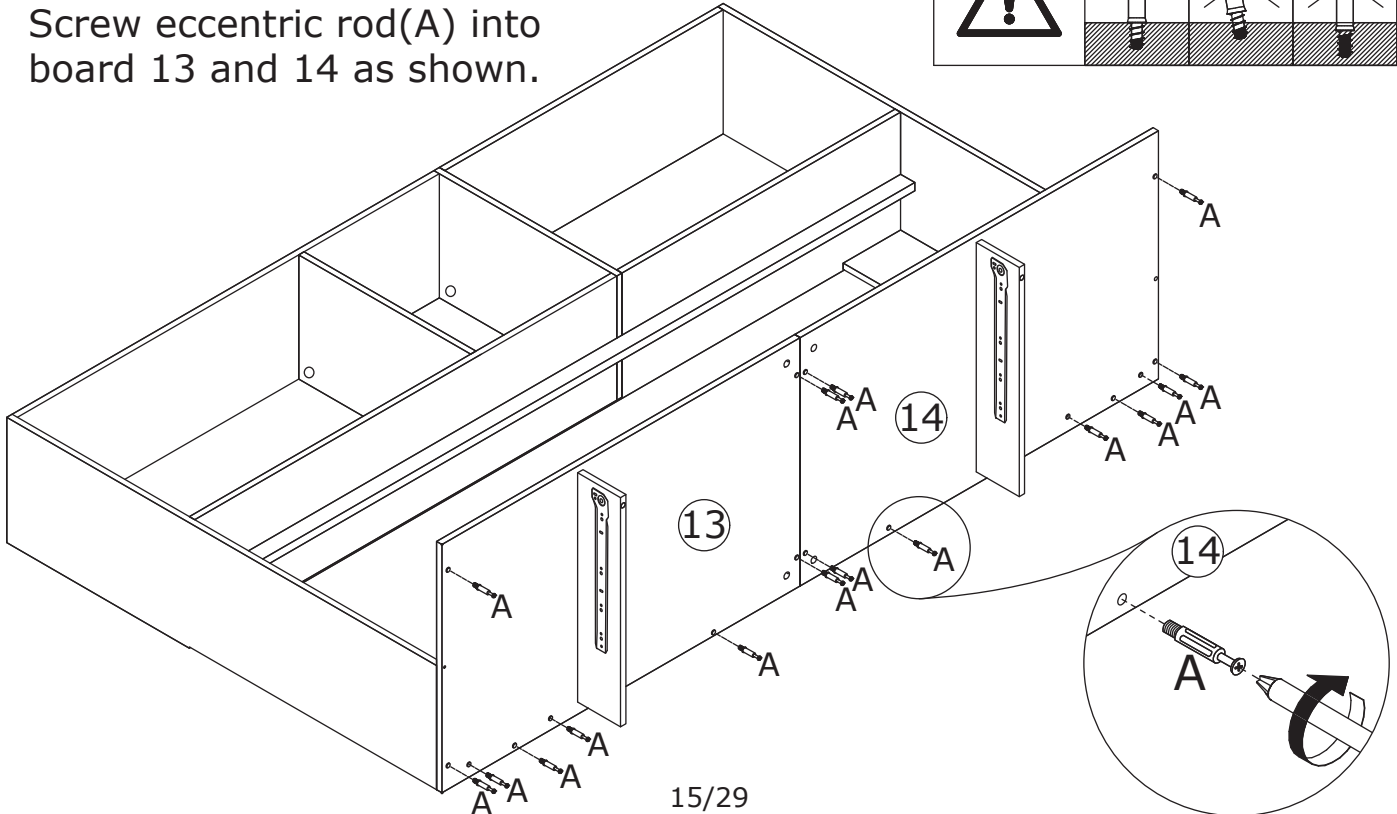
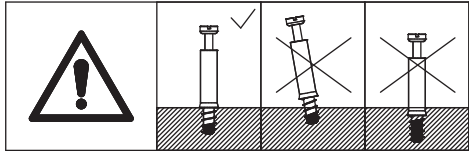
Fix board 13 and 14 to board 7, 9 and board 8, 9 using screw(J) as shown.



18

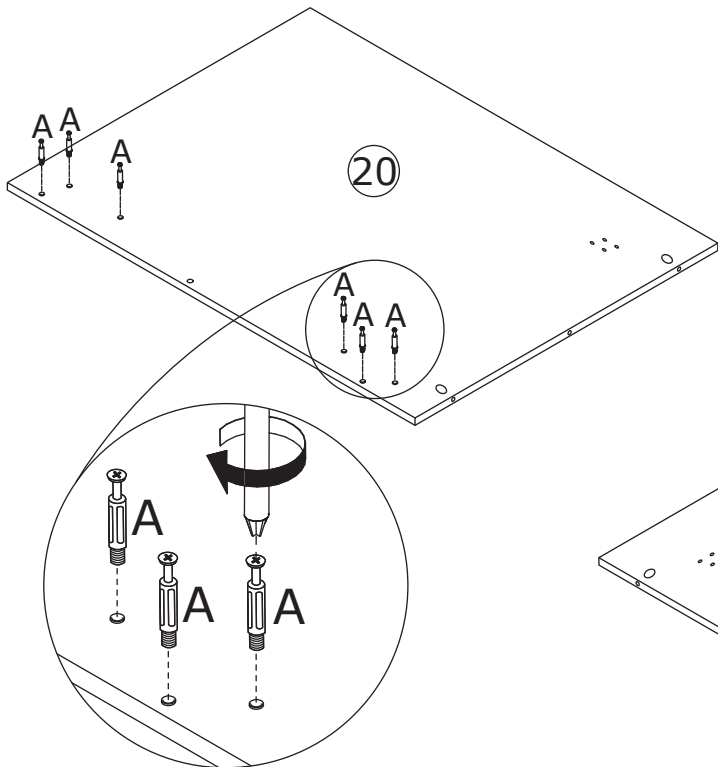
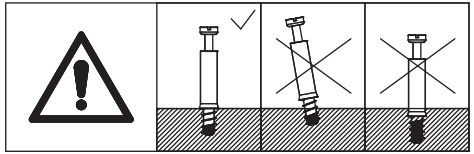
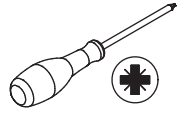


Screw eccentric rod(A) into board 13 and 14 as shown.

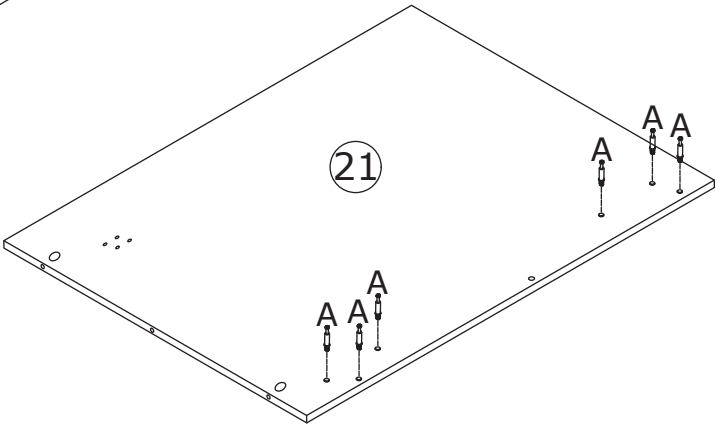


19

A x 12
M6 x 35 mm



Screw eccentric rod(A) into board 20 and 21 as shown.

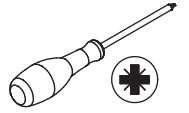


20

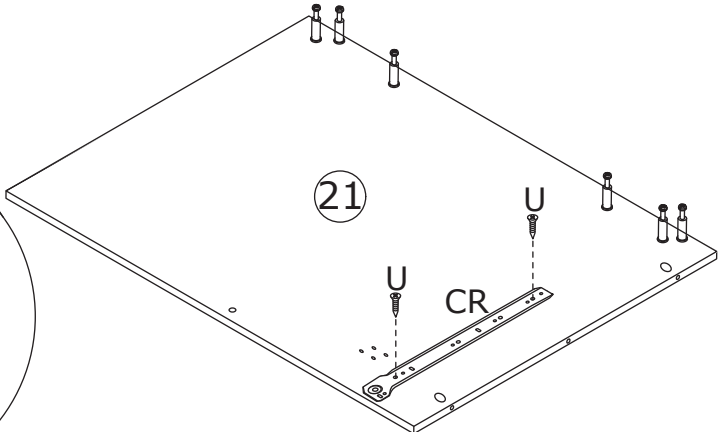
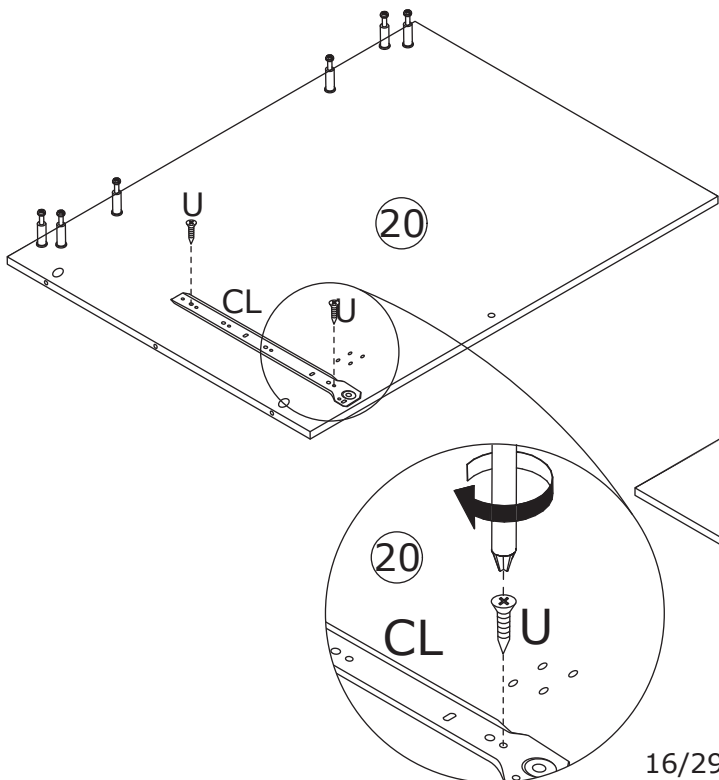
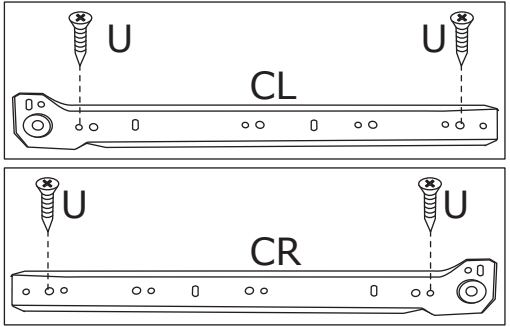
U x 4
M4 x 12 mm

CL x 1

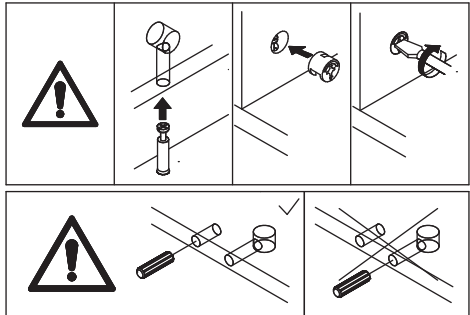
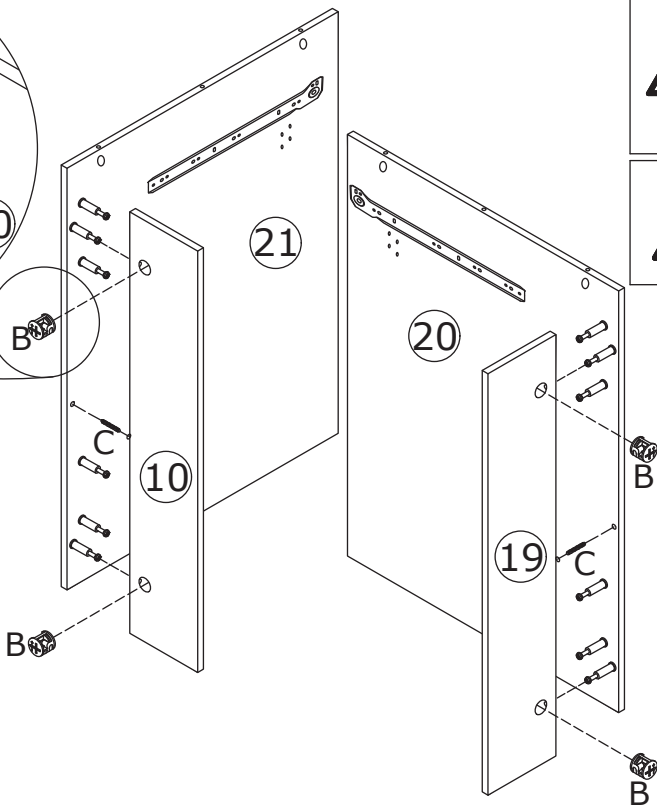
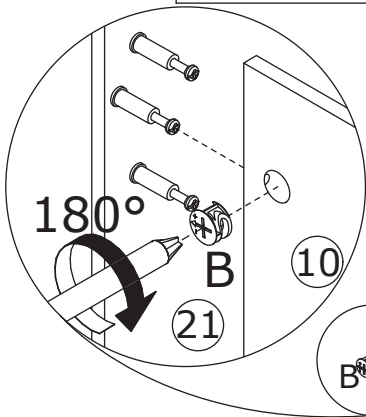
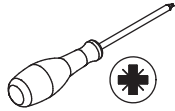
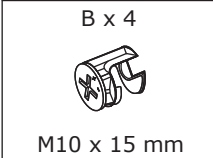
CR x 1



Fix rail(CL) and (CR) to board 20 and 21 with screw(U) at first.

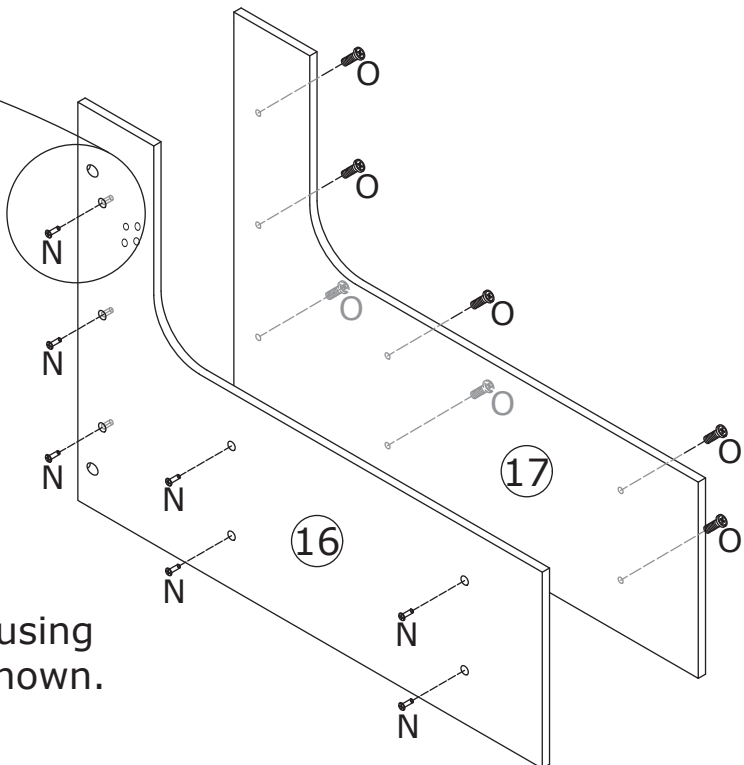
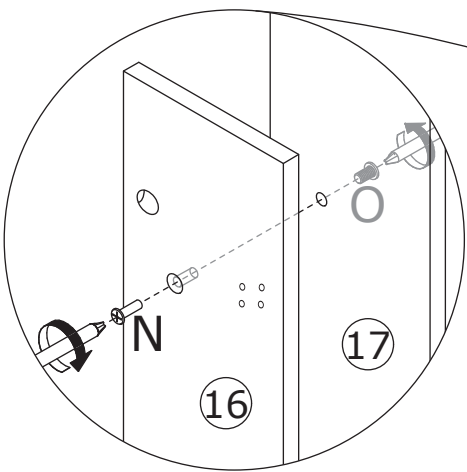
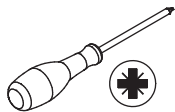
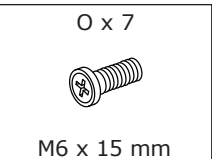
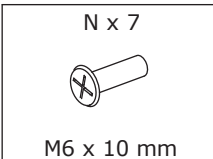


21



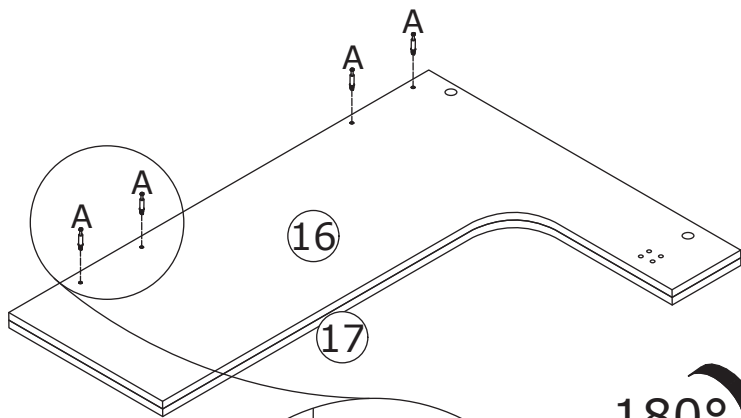
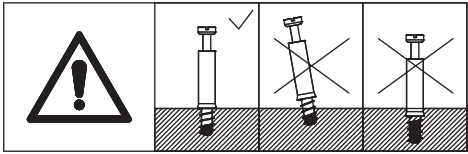
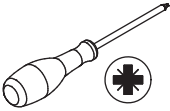
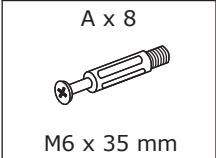
Attach board 10 and 19 to board 20 and 21 using wooden dowel(C), add cam lock(B) into board 19 and turn clockwise to tighten as shown.

22

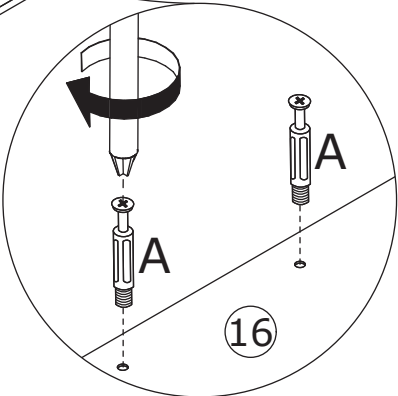


Fix board 16 to board 17 using screw(O) and nut(N) as shown.

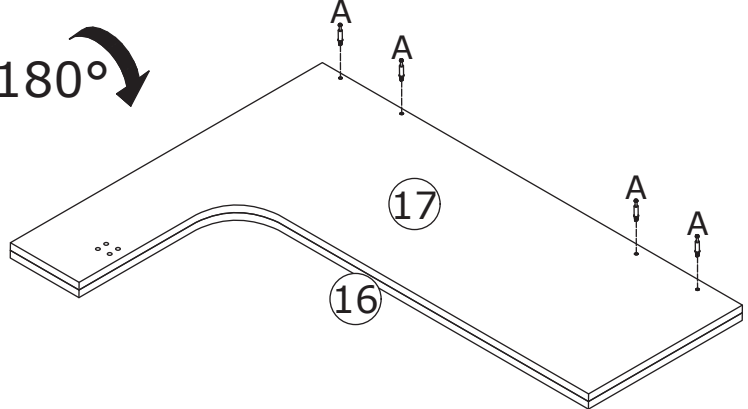
23



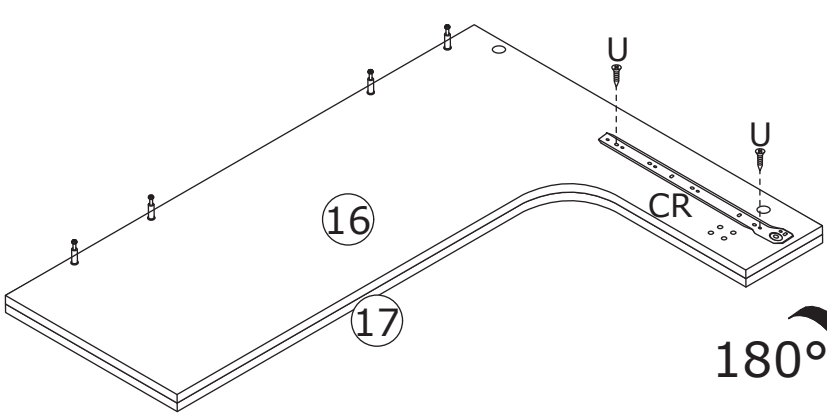
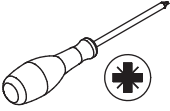
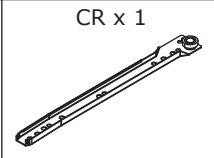
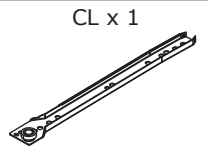
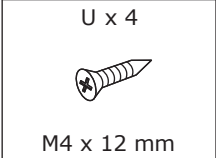
Screw eccentric rod(A) into board 16 and 17 as shown.



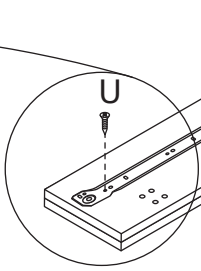
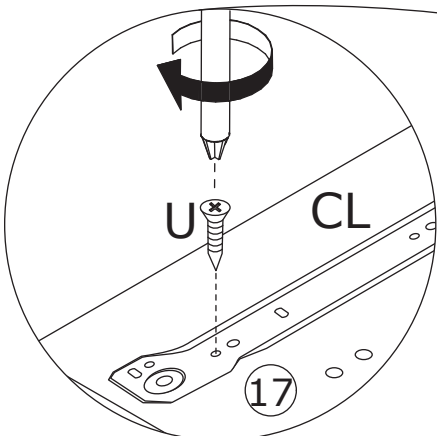
180°



24



180°



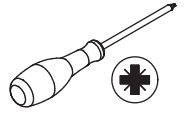
Fix rail(CL) and (CR) to board 17 and 16 with screw(U) at first.

25

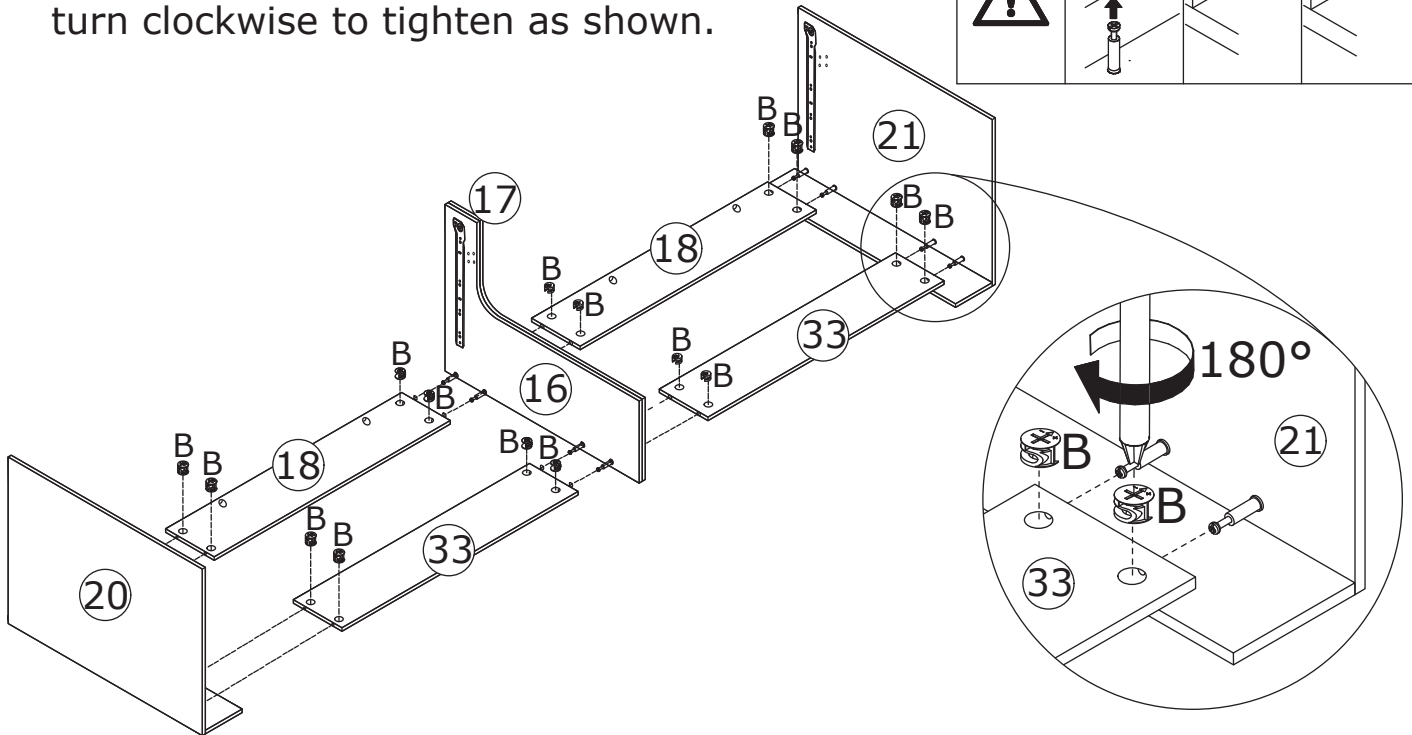
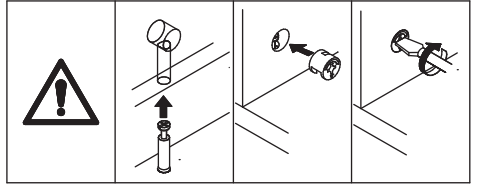
B x 16



M10 x 15 mm



Connect board 18 and 33 to board 20, 16, 17 and 21, add cam lock(B) into board 18,33 and turn clockwise to tighten as shown.

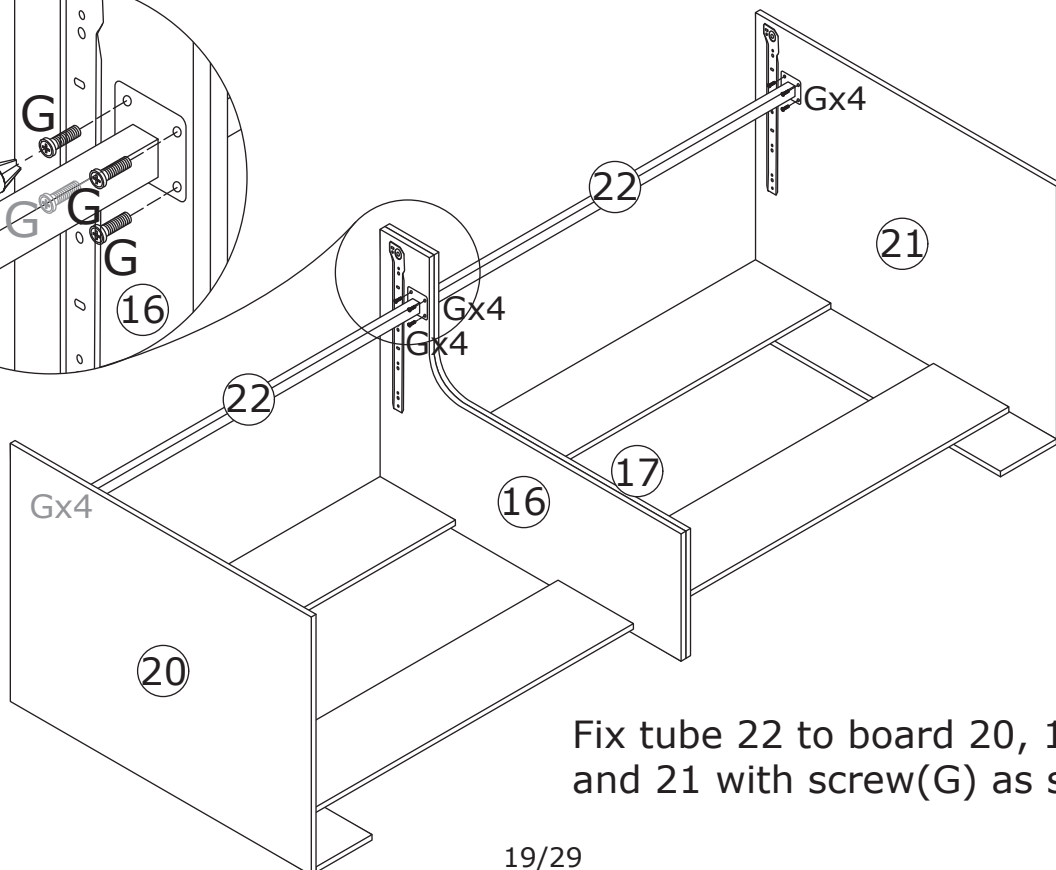
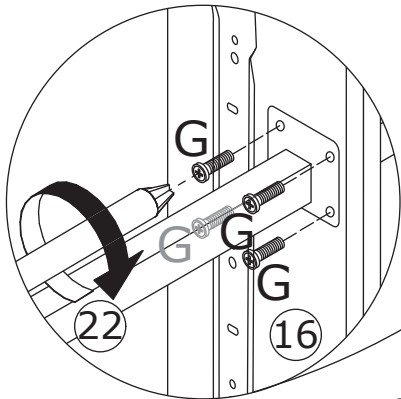
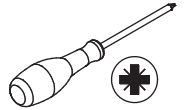


26

G x 16





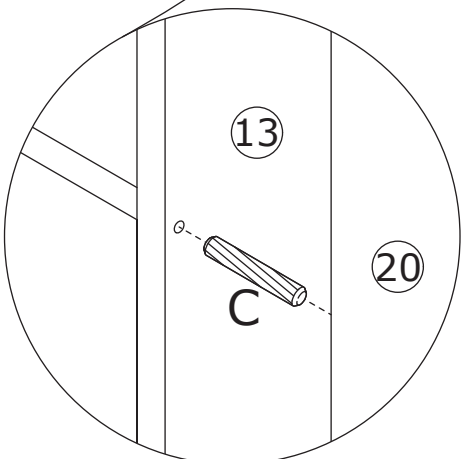
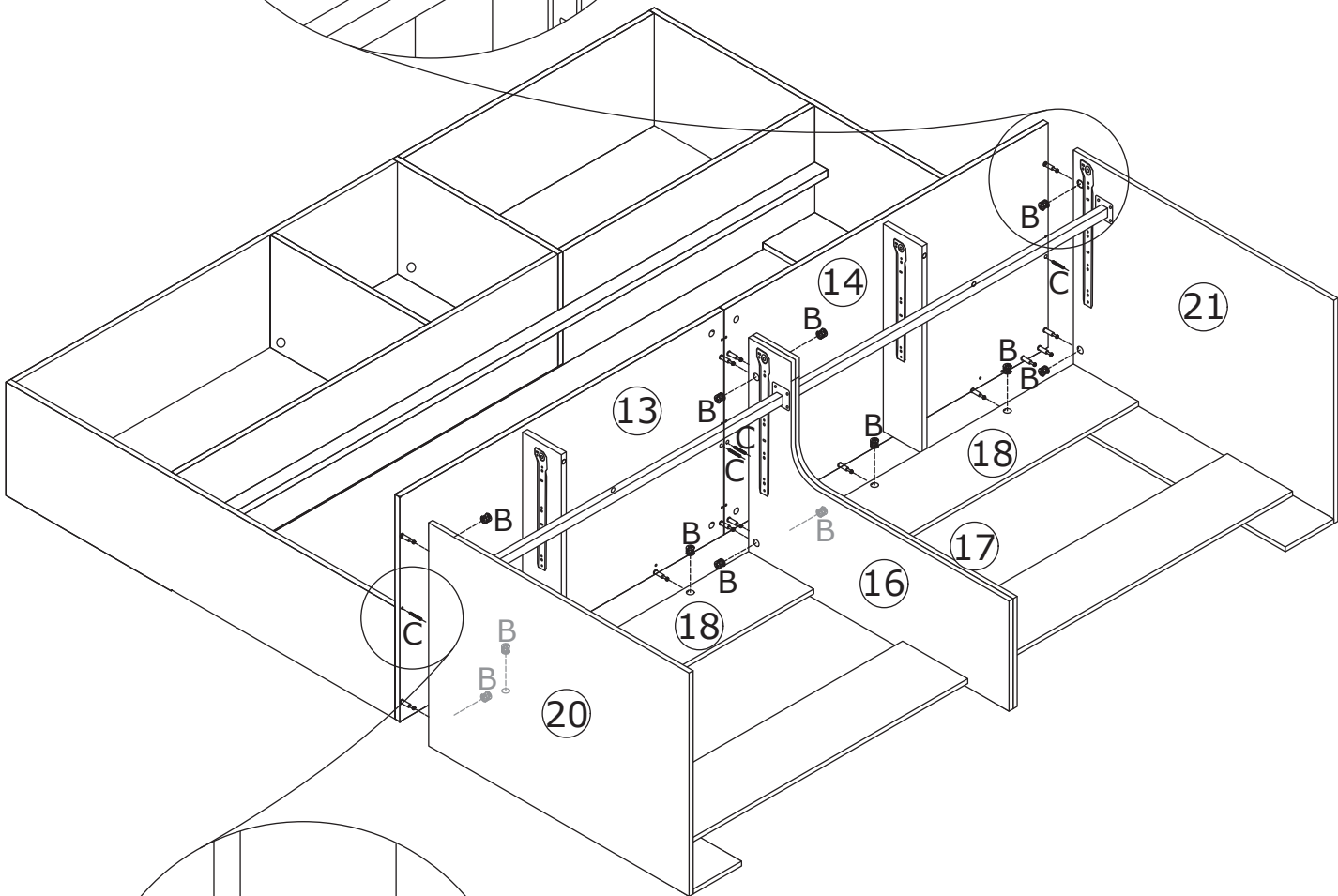
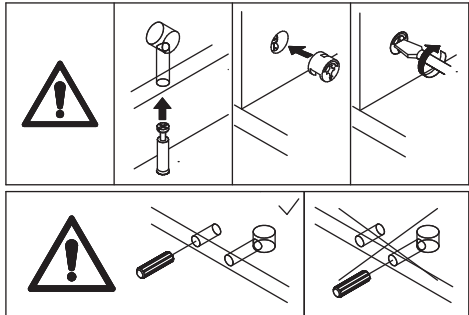
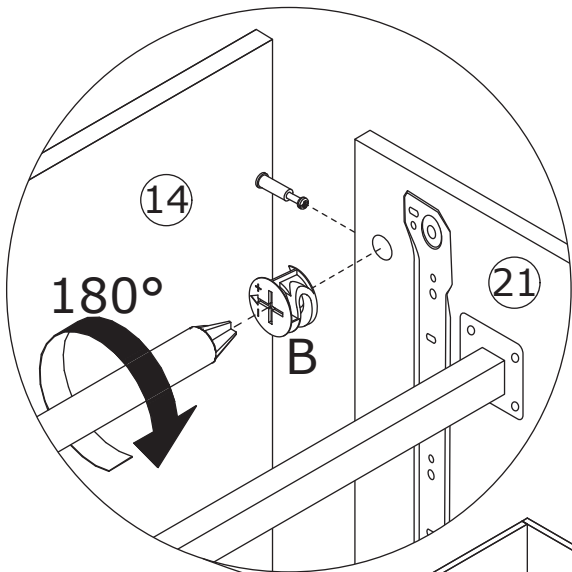
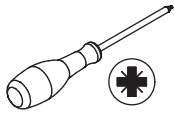
M6 x 10 mm



Fix tube 22 to board 20, 16, 17 and 21 with screw(G) as shown.

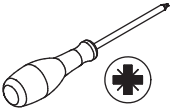
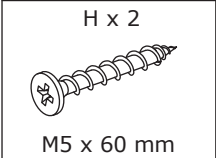
27

B x 12  M10 x 15 mm	C x 4  M6 x 30 mm
--	--

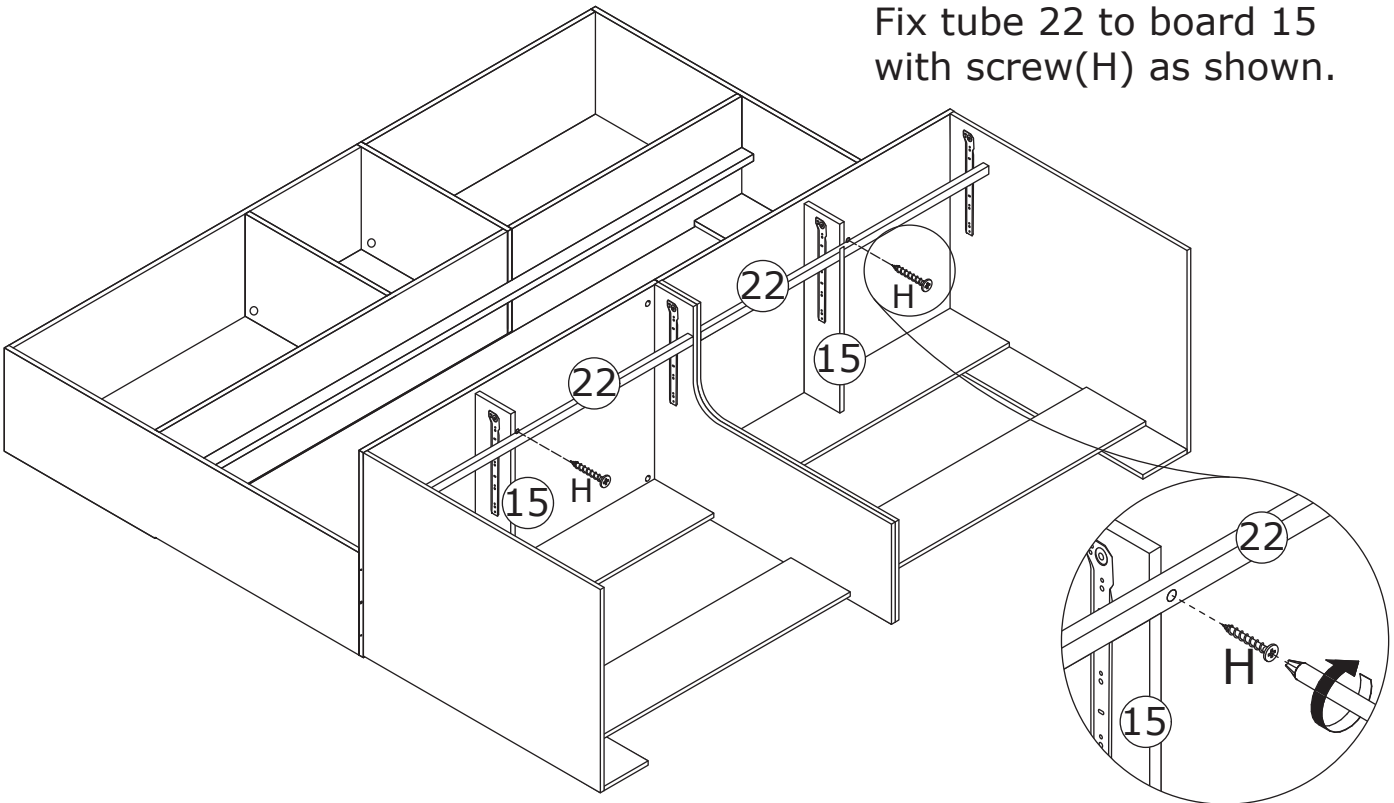


Connect the two assembled components using wooden dowel(C), add cam lock(B) into and turn clockwise to tighten as shown.

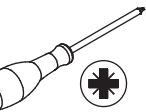
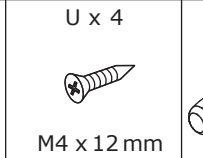
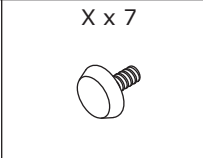
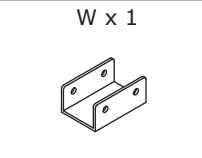
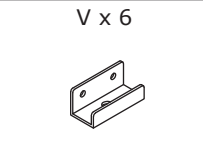
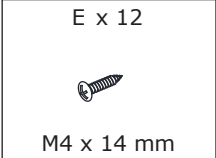
28



Fix tube 22 to board 15 with screw(H) as shown.

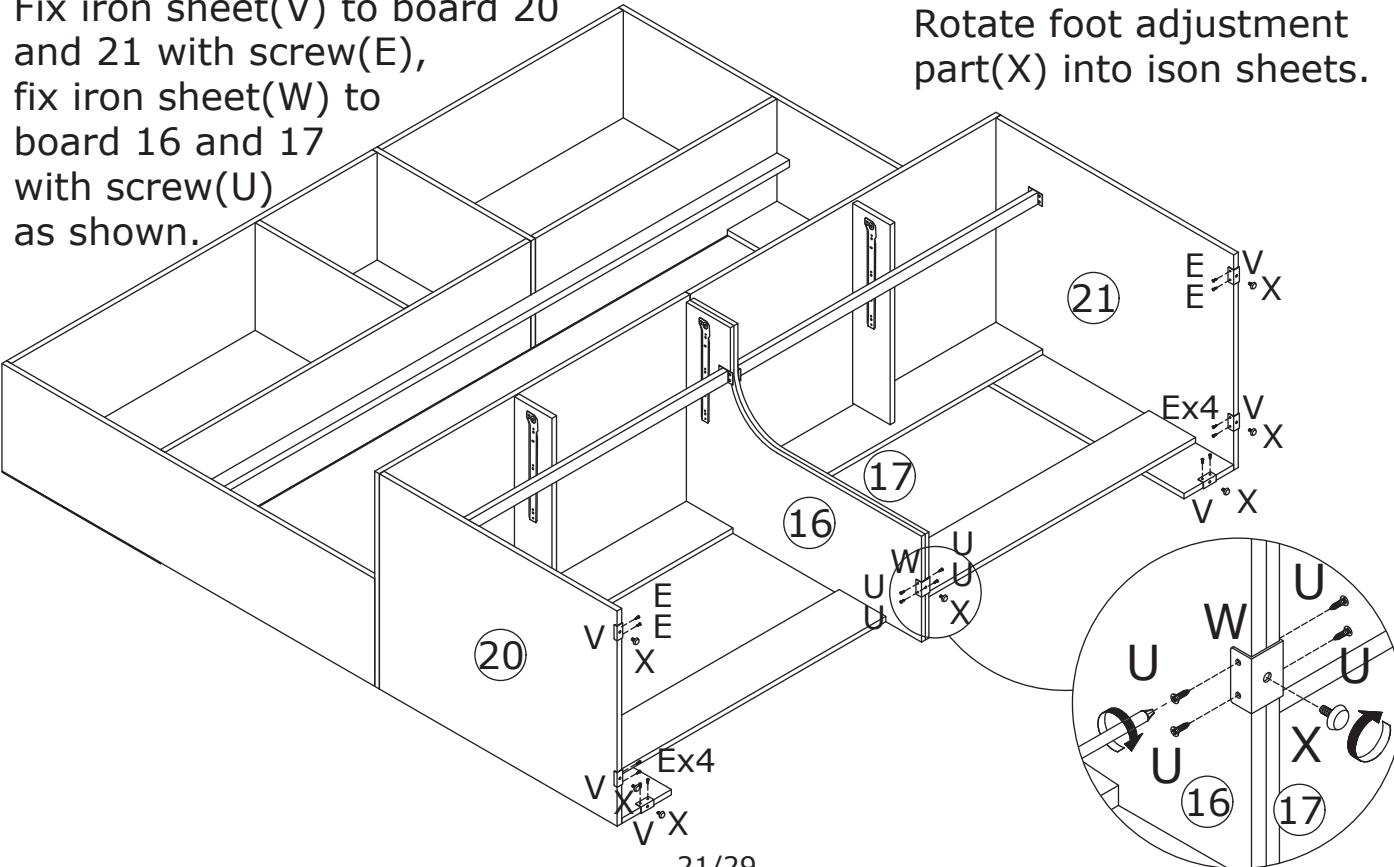


29



Fix iron sheet(V) to board 20 and 21 with screw(E), fix iron sheet(W) to board 16 and 17 with screw(U) as shown.

Rotate foot adjustment part(X) into iron sheets.



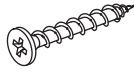
30

B x 4

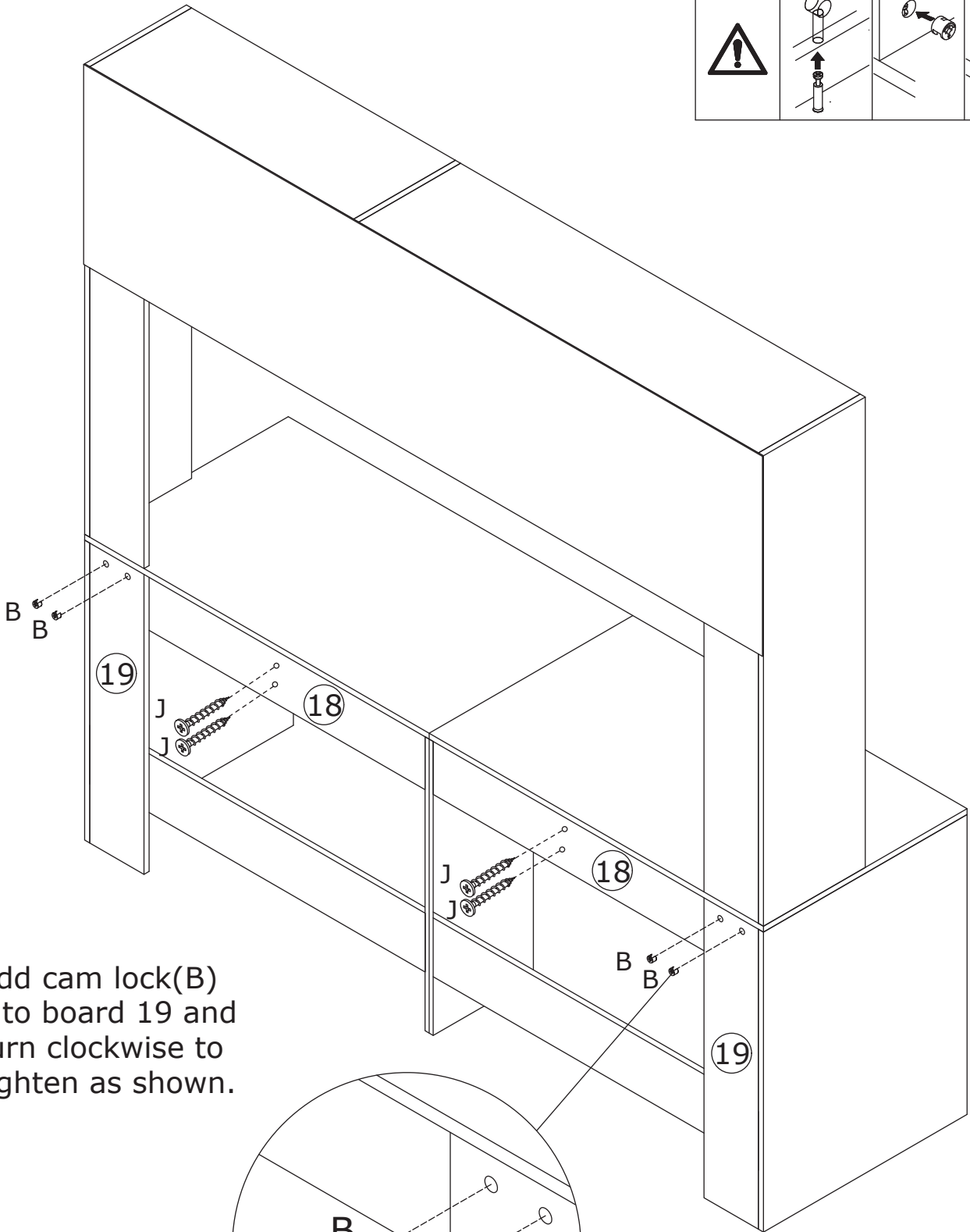
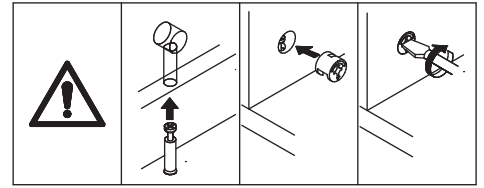
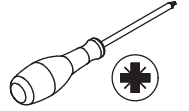


M10 x 15 mm

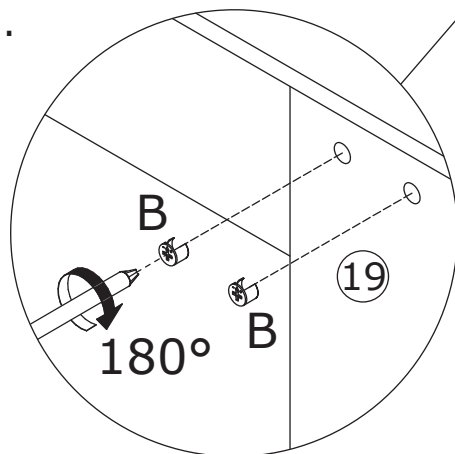
J x 4



M4 x 40 mm

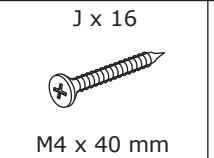
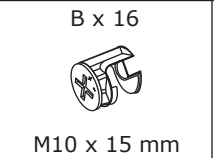
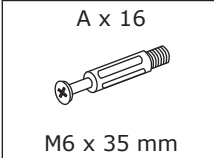


Add cam lock(B) into board 19 and turn clockwise to tighten as shown.

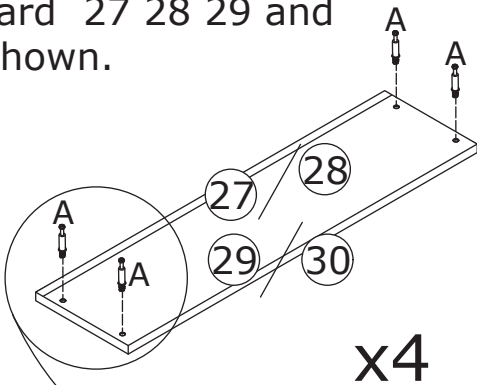


Fix board 18 to board 15 with screw(J) as shown.

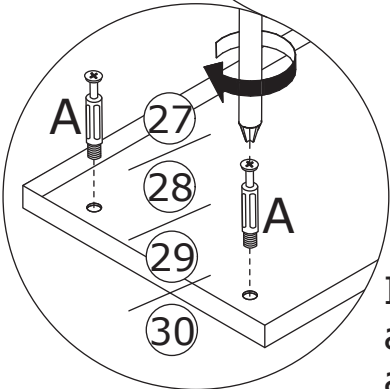
31



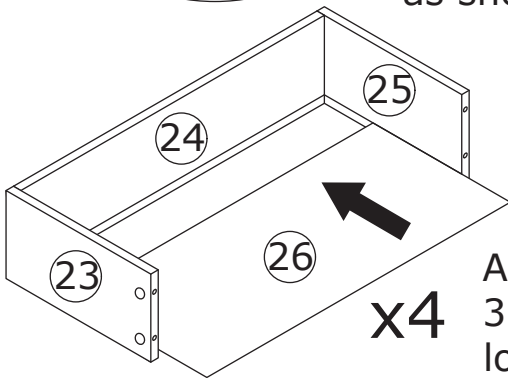
Screw eccentric rod(A)
 into board 27 28 29 and
 30 as shown.



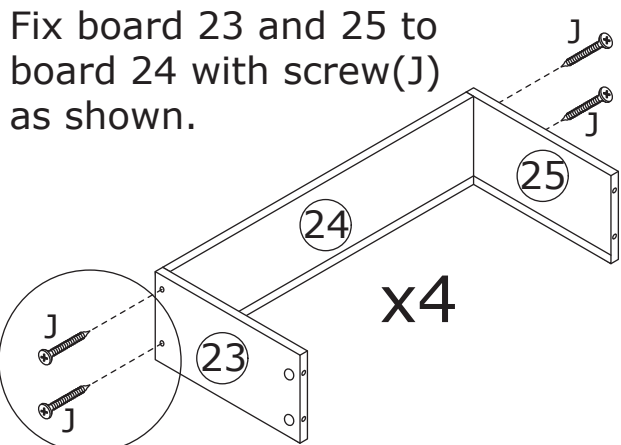
x4



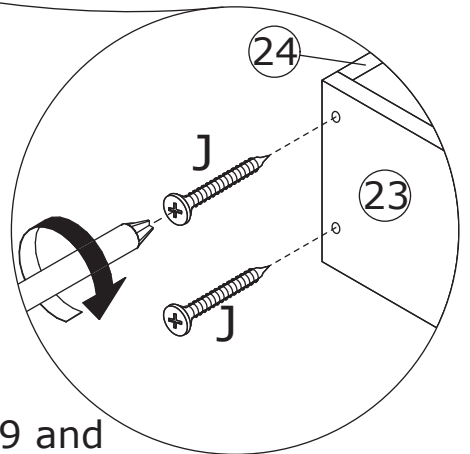
Insert bottom board 26
 along available grooves
 as shown.



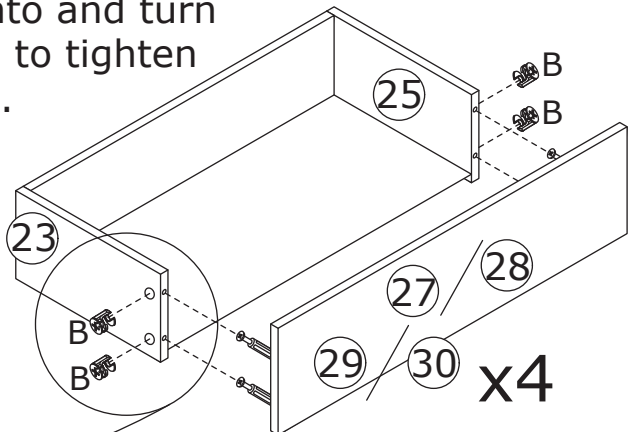
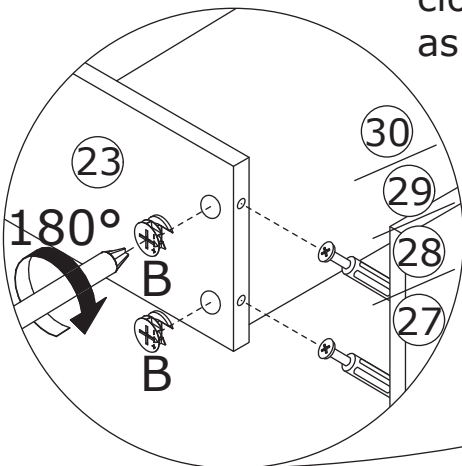
x4



x4

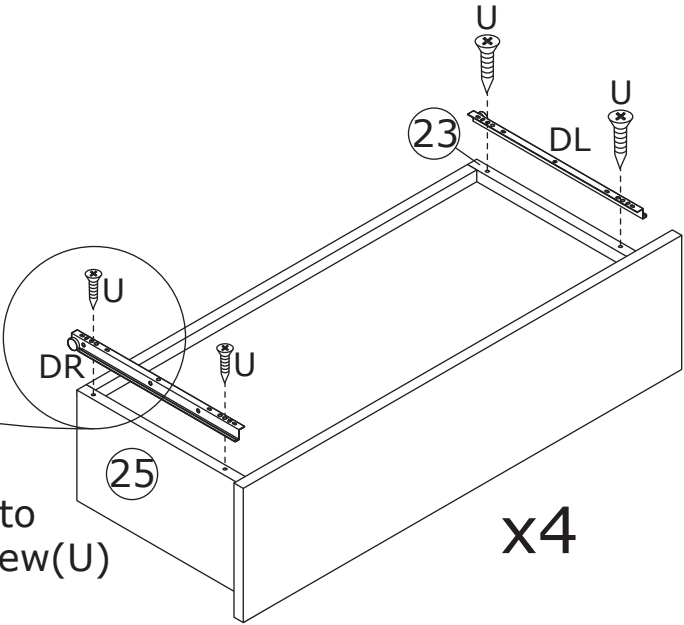
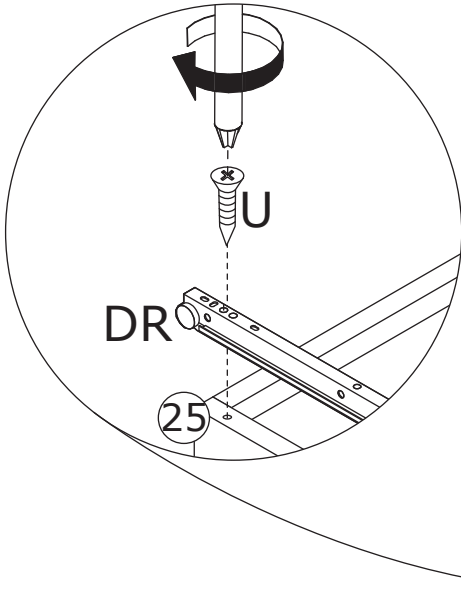
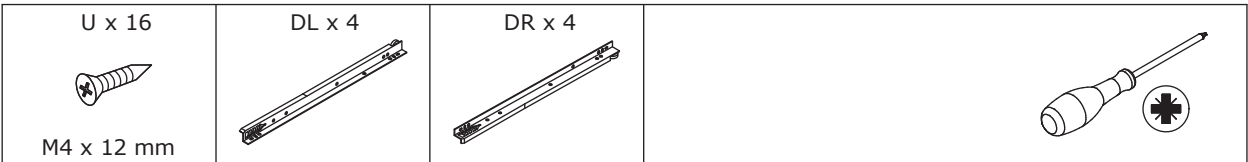


Attach board 27 28 29 and
 30 to board 23 and 25, add cam
 lock(B) into and turn
 clockwise to tighten
 as shown.



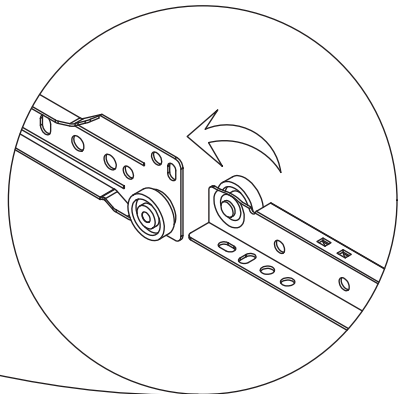
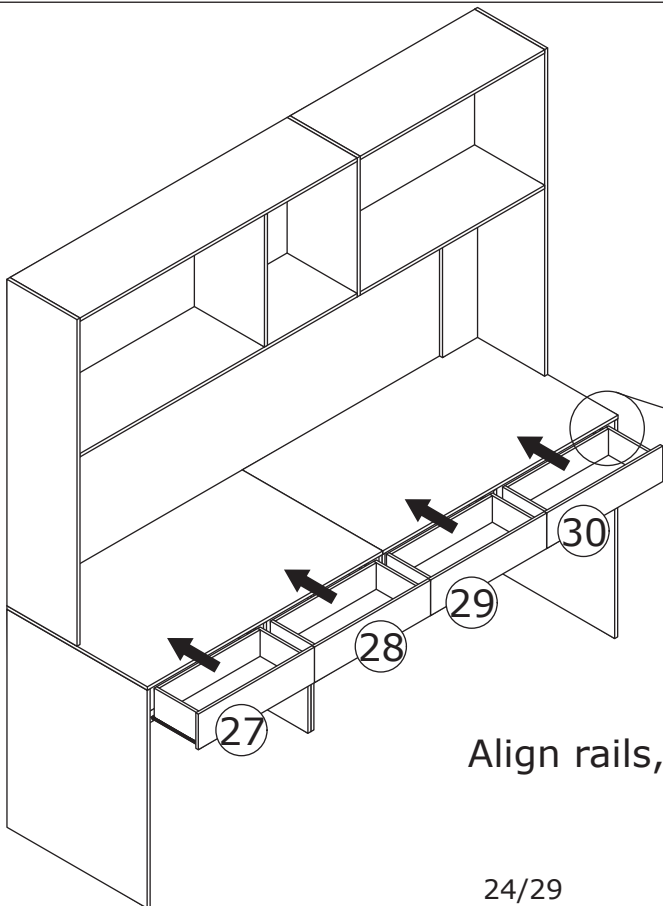
x4

32



Fix runner(DL) and (DR) to board 23 and 25 with screw(U) as shown.

33

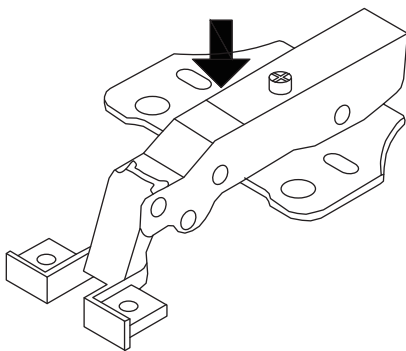


Align rails, insert drawers into.

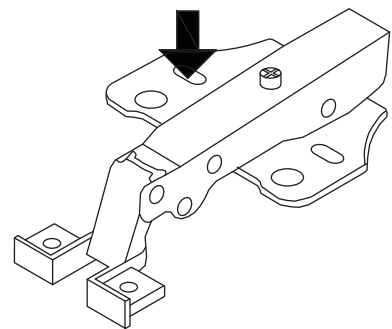


Pay attention to the difference between the middle parts of the two types of door hinges.

- The curved door hinges(Q) are used on the door panel in the middle of the cabinet.
- And the full coverage door hinges(R) are used on the outermost door plates.

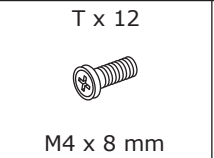
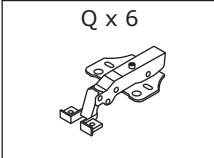


Q

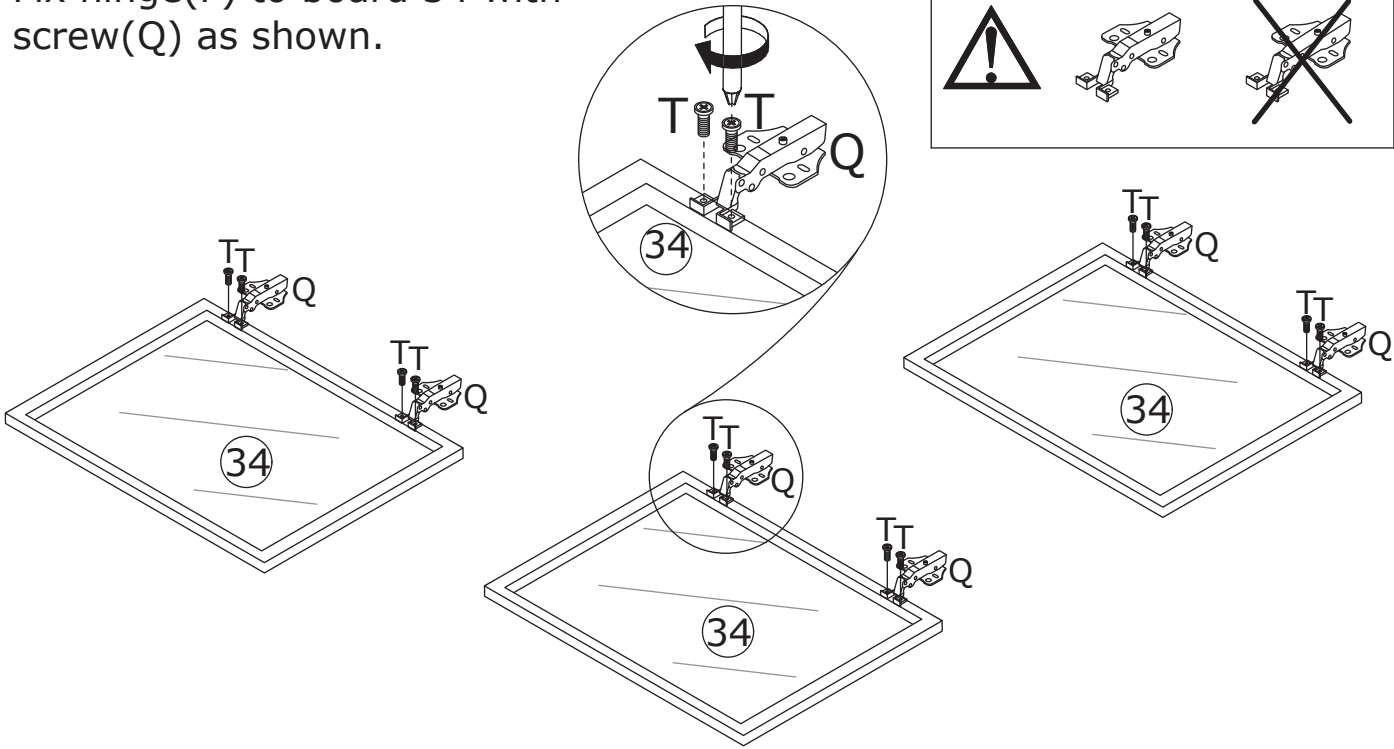
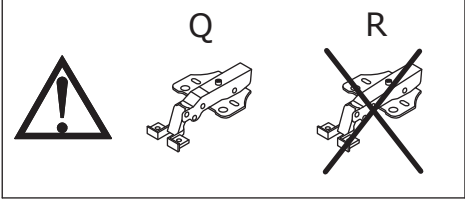


R

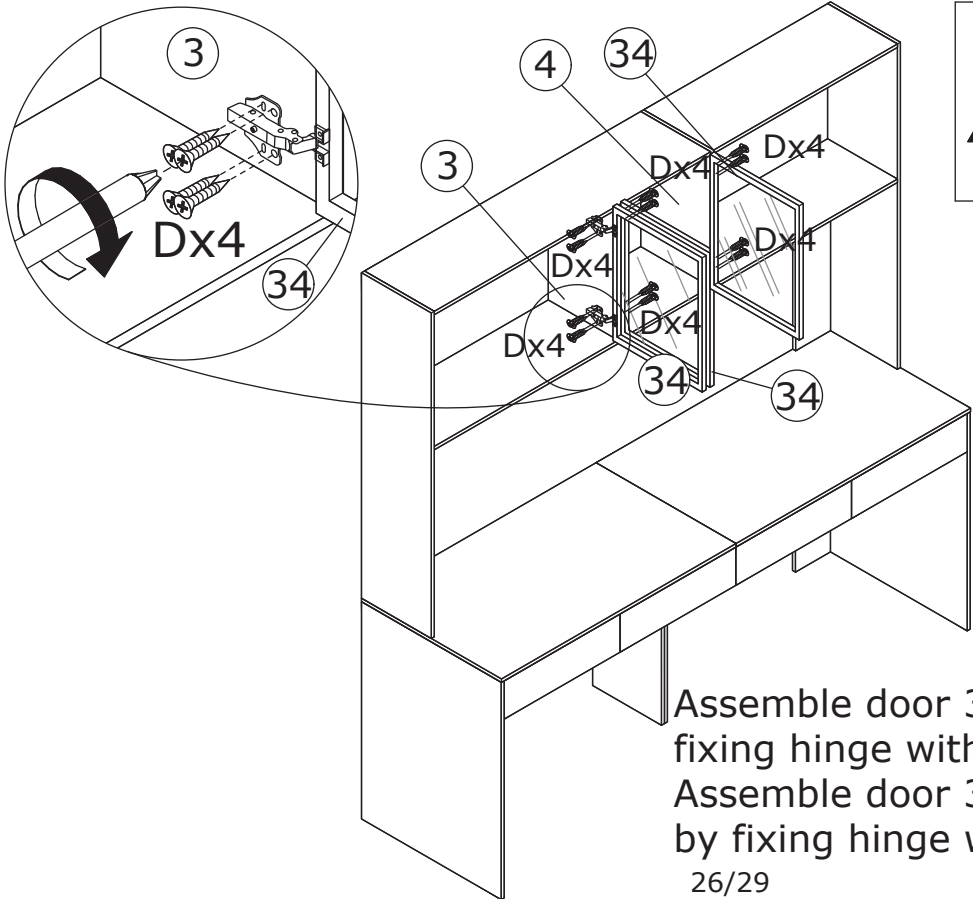
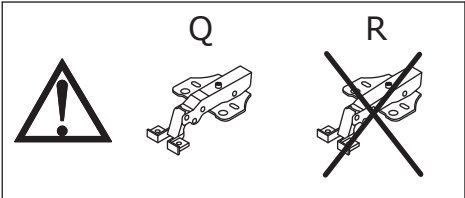
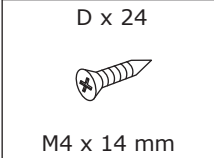
35



Fix hinge(F) to board 34 with screw(Q) as shown.

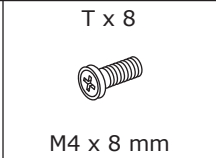
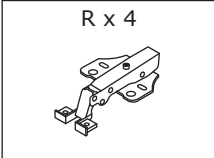


36

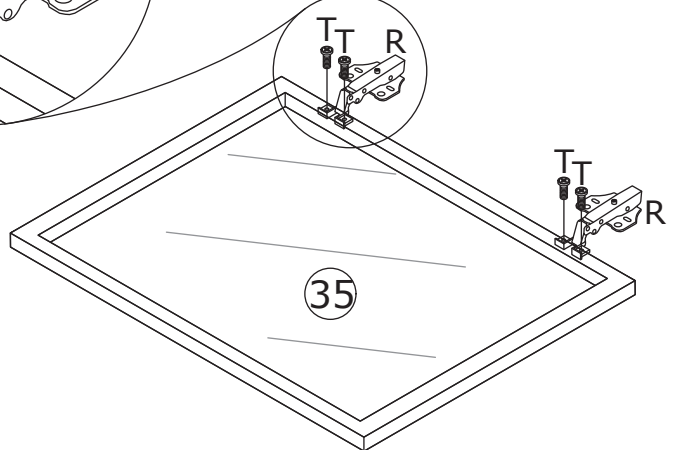
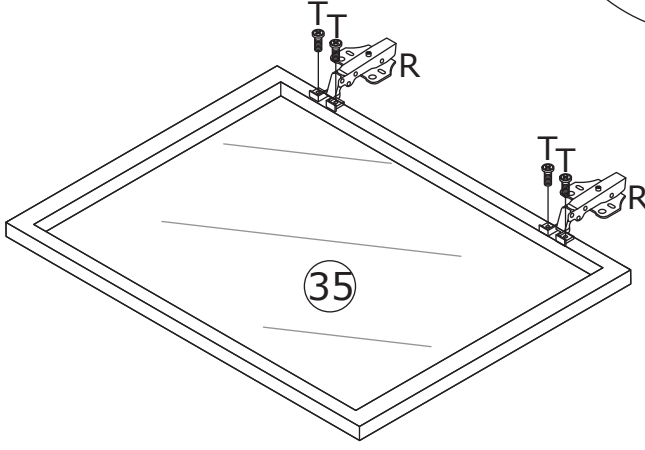
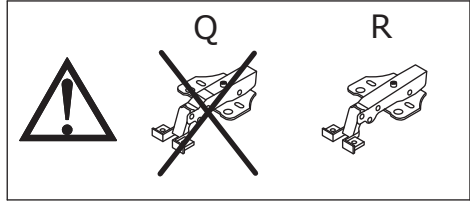
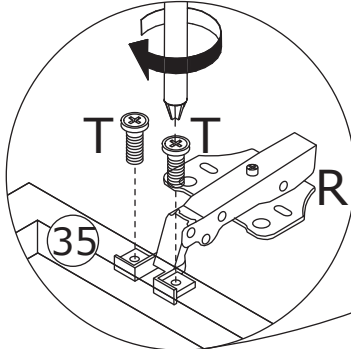


Assemble door 34 to board 3 by fixing hinge with screw(D) as shown.
Assemble door 34 to board 4 by fixing hinge with screw(D) as shown.

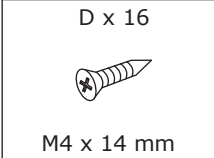
37



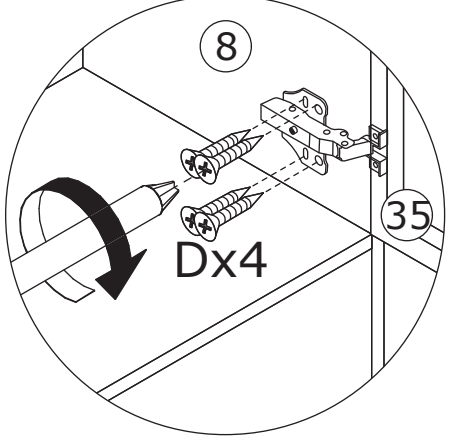
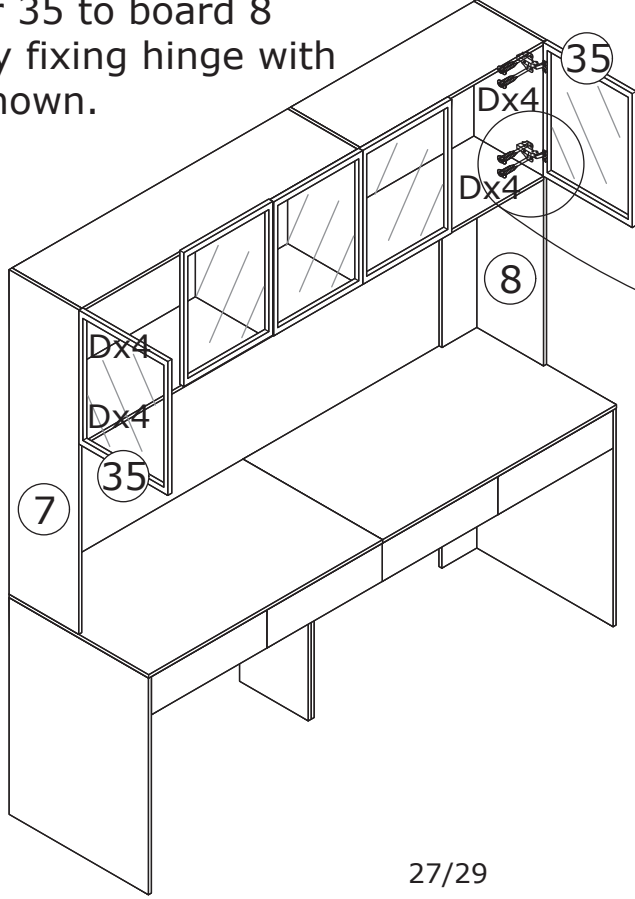
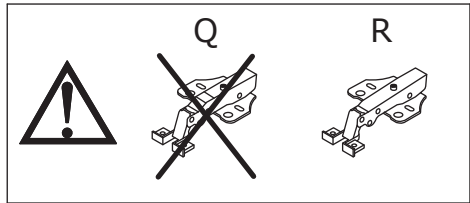
Fix hinge(R) to board 35 with screw(T) as shown.

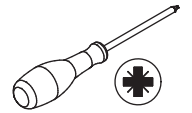


38



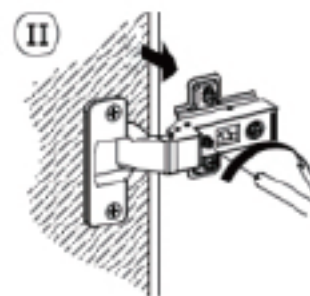
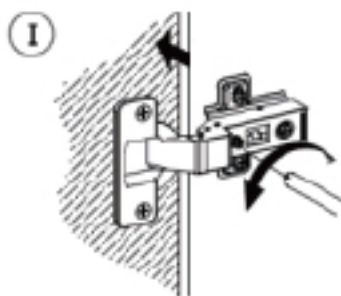
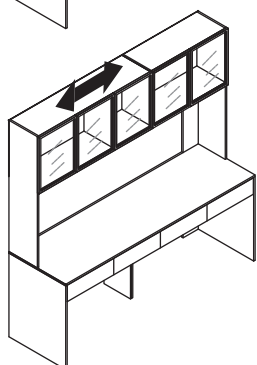
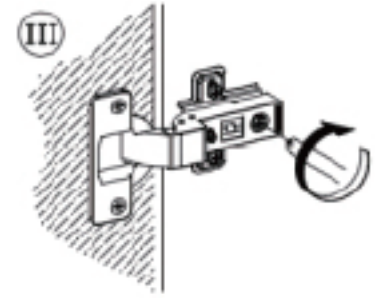
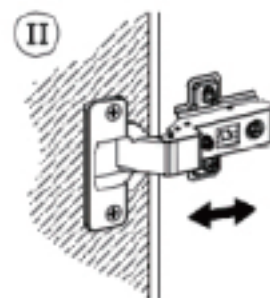
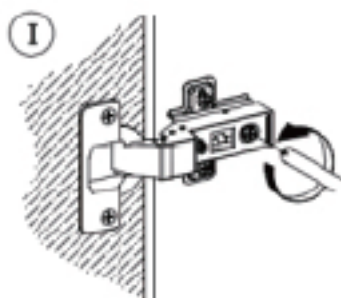
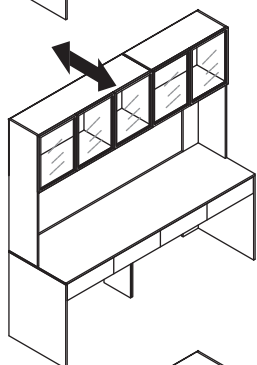
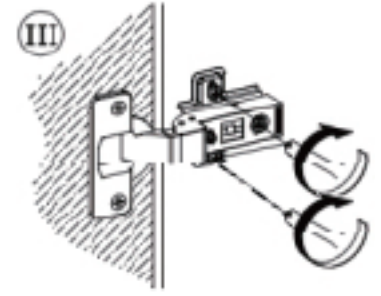
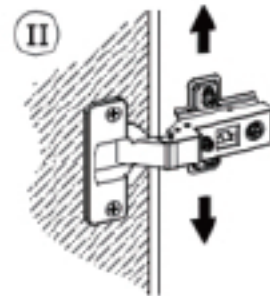
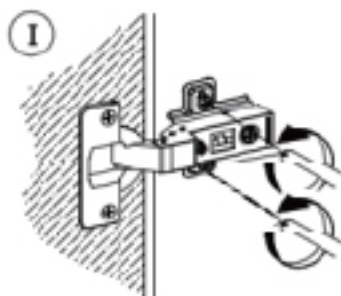
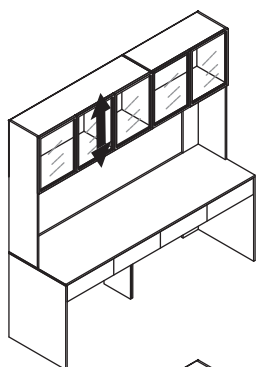
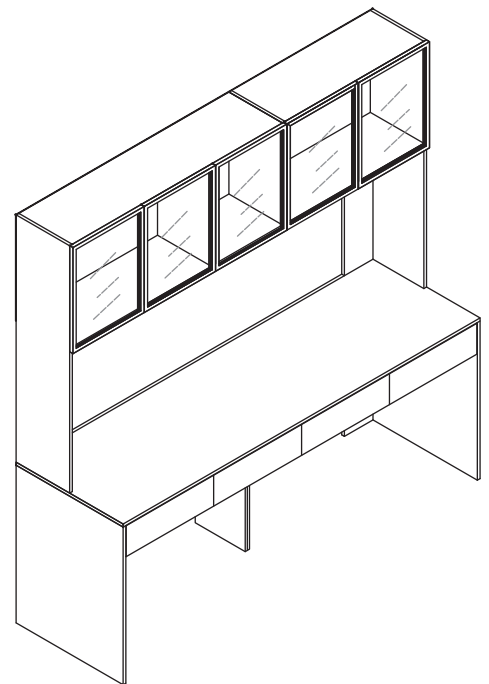
Assemble door 35 to board 8 and board 7 by fixing hinge with screw(D) as shown.





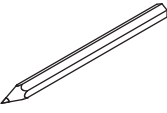
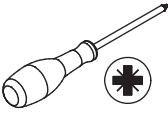
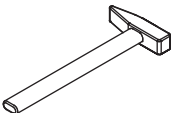

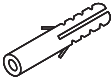
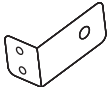


If there is misalignment after you install, adjust the screw to the best condition
If doors are still not aligned if the hinges are properly correctly, please watch the video.

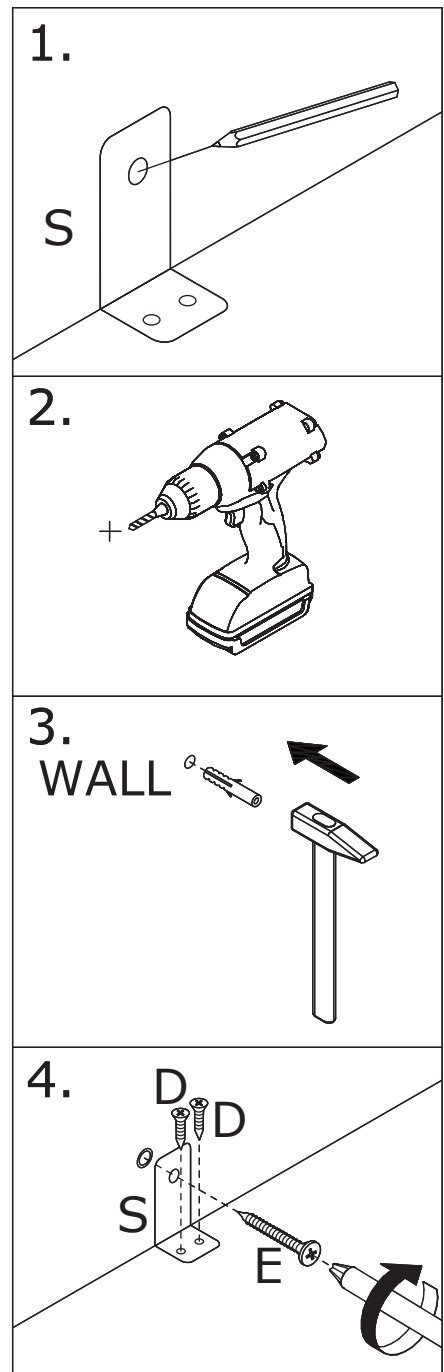
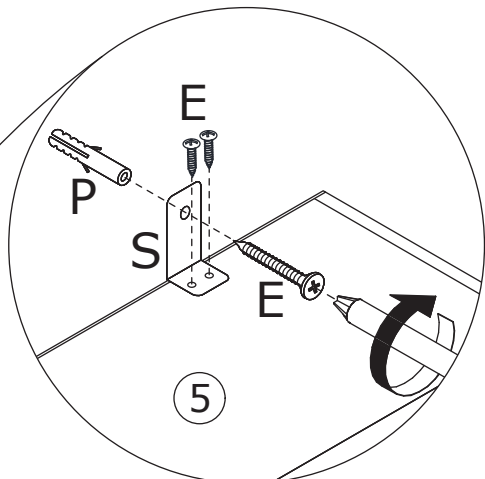
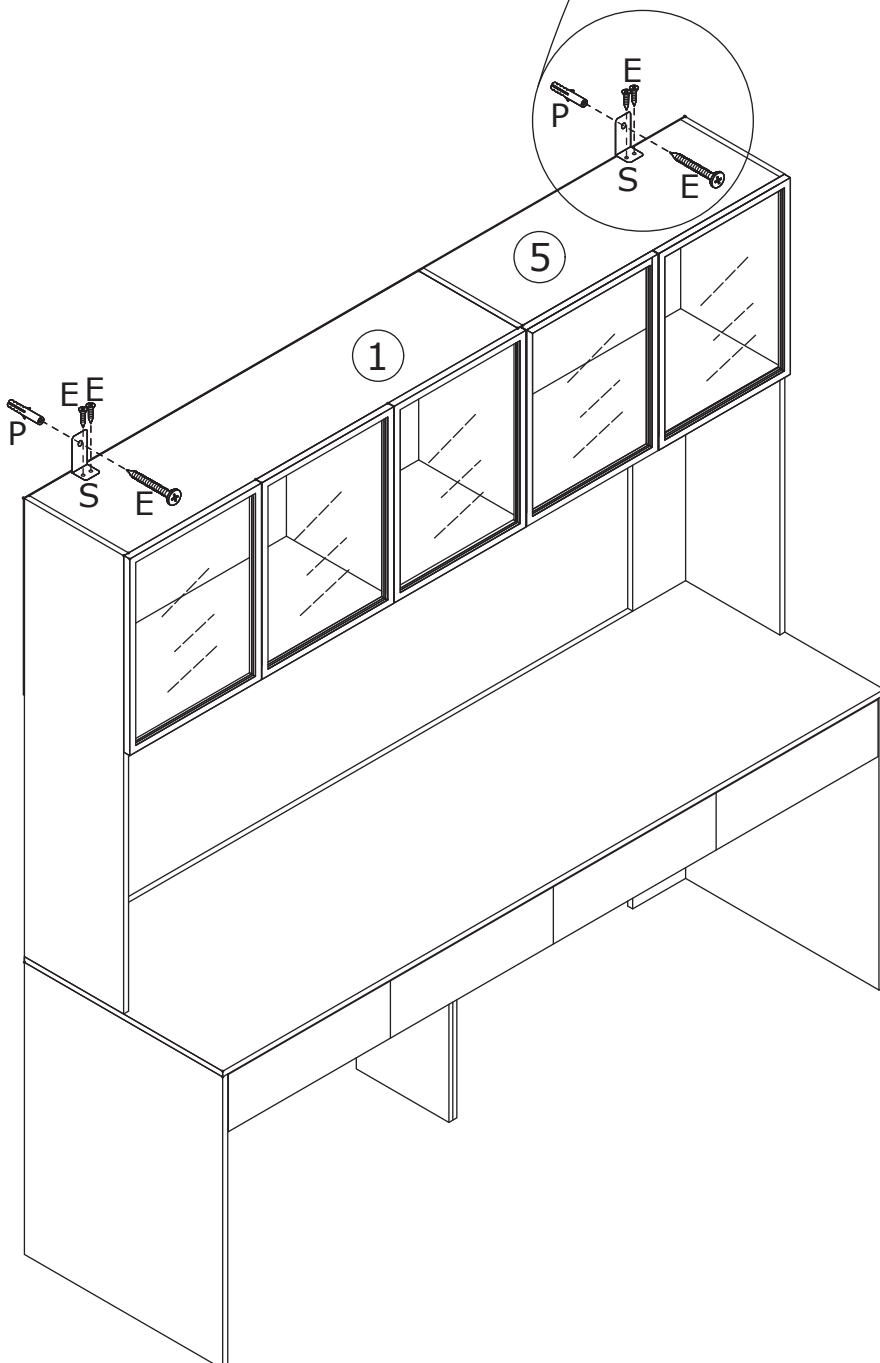
<https://youtu.be/n0Lb36SoODM>



40

E x 4  M4 x 14 mm	J x 2  M4 x 40 mm				
P x 2 	S x 2 				

Install anti-tipping device as shown.



WARRANTY

WARRANTY CLAIMS

- There is a 30-day warranty for broken furniture or any other problems that do not work properly. The warranty will start from the date of purchase which must be verified by proof of purchase.
- Before making a claim, we may be able to answer your query, simply call us. Please leave your purchase order number, along with some details of the problem, if you want a replacement part. We will arrange within 48 hours. If there is out of stock, we will reply with a shipping date.
- The product must be used in accordance with the instructions provided. For health reasons.
- For other reasons, if the furniture needs to be returned, it must be cleaned and dried and operated within 30 days of receipt.

Type of Warranty Claim

- Failure to follow the furniture instructions will invalidate the warranty. Attention please.
- Does not include damage during installation, but includes damage during transportation.

Scope of responsibility

- Shall not bear any responsibility for misuse or user damage and / or loss of parts during the installation of furniture.
- After using, the damage and scratches of the furniture are not covered by the warranty.

The Warranty Relates to All Bought in The Us and Covers The Following Areas

- Sheet parts: 1 month from the date of purchase.
- Electrical parts: 1 month from the date of purchase.

RETURNS

CHANGED YOUR MIND AND NEED TO RETURN YOU ITEM?

PLEASE FOLLOW THE BELOW INSTRUCTIONS:

- If you have purchased and have simply changed your mind, follow the retailer's instructions for returns.

DEFECTIVE ITEMS

- If your item is defective in any way, i.e. it doesn't work but you can't identify why, in the first instance, please call us.

DAMAGED ITEMS

- If you receive an order with obvious shipping damage from the retailer, then we suggest the delivery is refused. If the delivery has been accepted and then shipping damage is found, please follow the specific instructions advised by the retailer.
In all circumstances please save all packaging material and paperwork for the order. Please be aware that if you dispose of packaging material or attempt to return the merchandise without contacting the fulfiller, you jeopardise your chances of making a claim, and you may not receive a credit for the return.

AFTER-SALES CONTACT



feedbackstation@163.com



(303)800-6387