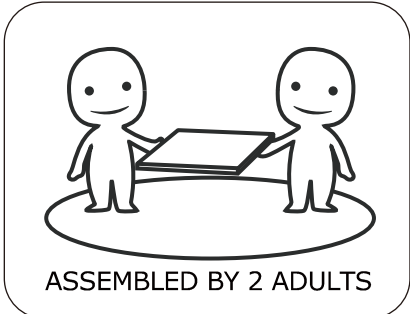
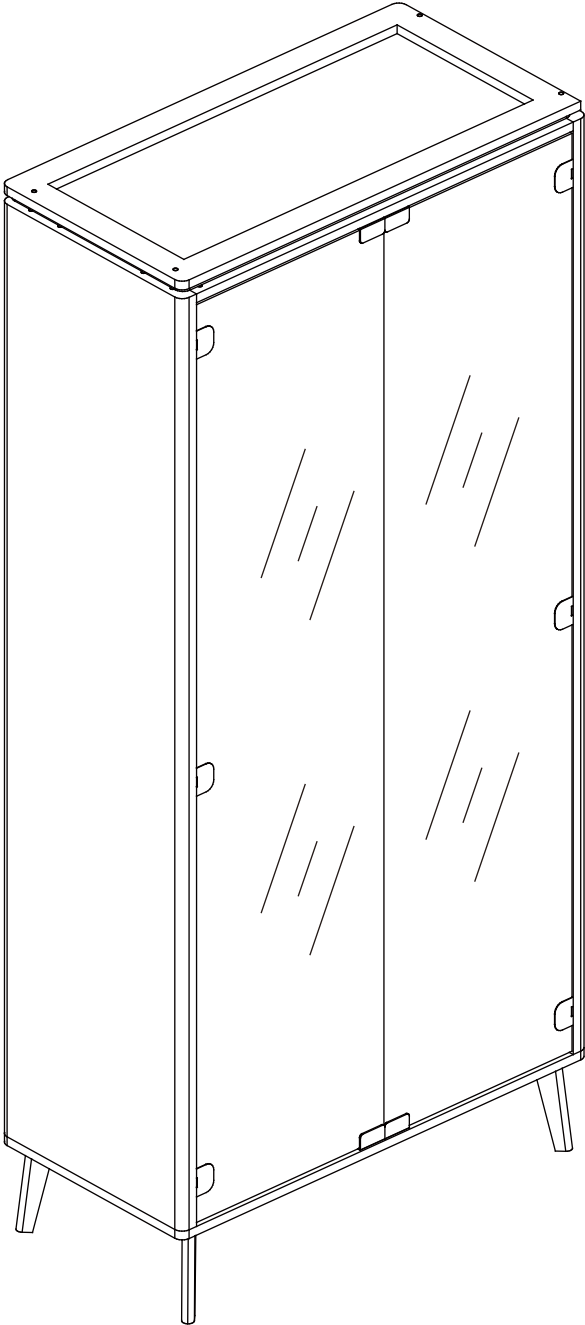
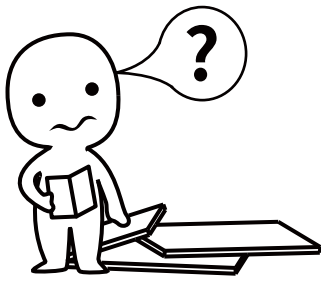


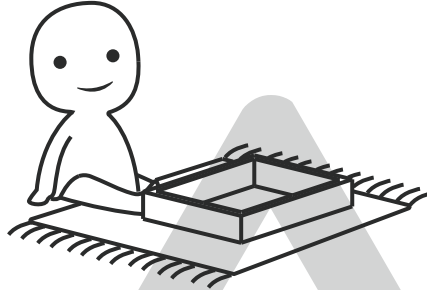
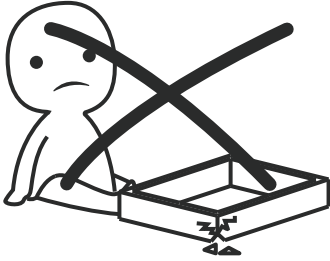
Display Cabinet





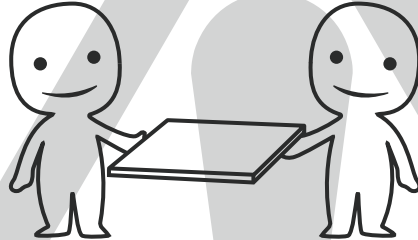
IMPORTANT INFORMATION!

please read the entire manual before starting to assemble and/or using this product. follow the manual thoroughly and keep it for further reference.



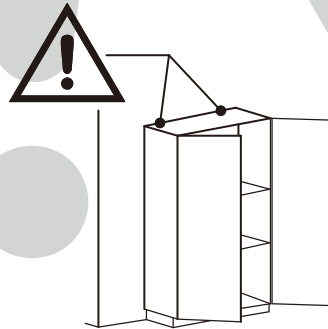
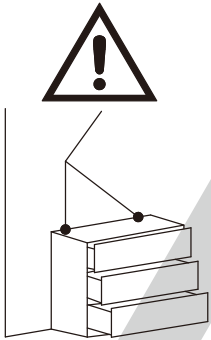
AVOID SCRATCHES!

In order furniture should be assembled on a soft layer - could be a rug.



IMPROVE EFFICIENCY !

Try to find a partner to install with you, which can speed up the installation efficiency and shorten the time.



ANTI-TOPPLE WARNING !

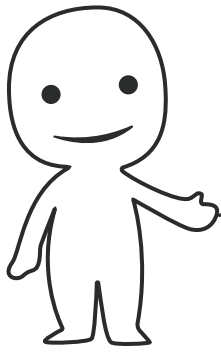
Overturnd furniture can cause serious or fatal crush in to use the wall attachment, if not included with this product. Please purchase the wall attachment that fit your wall. If unsure, seek professional advice. Please read and follow each step of the instructions carefully.

IMPORTANT !

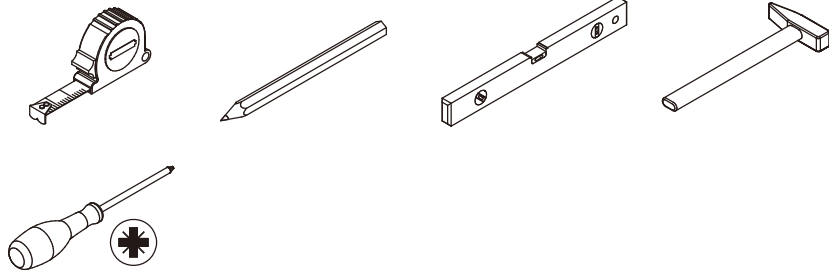
It is important that any product which is assembled use 2 weeks after assembly, and once every 3 months - in order to assure stability through-out the lifespan of the product.

For regular maintenance and cleaning of the product, for the frame, please use a rag dipped in neutral detergent to fully wipe it, and then dry it with a clean rag. For glass materials, wipe with a rag dampened with water glass cleaner, and then dry with a dry rag.

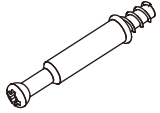

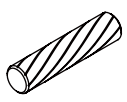
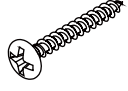
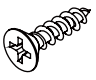


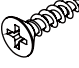
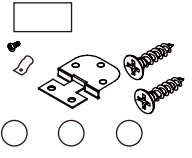
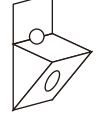
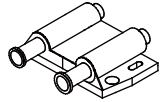

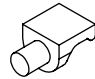
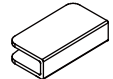
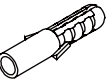
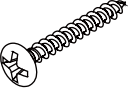

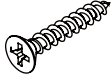
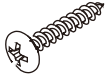
Do not use an electric screwdriver, and do not use too much force when installing, because the board is easy to break.



Please prepare the following tools



When installing, please carefully confirm whether each screw corresponds to the manual, accessories with similar shapes can be distinguished by size

A x 6  Ø 6 x 35 mm	B x 6  Ø 15 x 10 mm	C x 12  Ø 6 x 30 mm	D x 4  Ø 4 x 55 mm	E x 8  Ø 3 x 16 mm
F x 2 	G x 3  Ø 4 x 25 mm	H x 4  Ø 3 x 14 mm	J x 6 	K x 8 
L x 1 	M x 2  Ø 4 x 12 mm	N x 8 	P x 4 	Q x 2 
R x 2  Ø 4 x 40 mm	S x 4  Ø 6 x 50 mm	T x 2  Ø 4 x 35 mm	U x 8  Ø 4 x 30 mm	

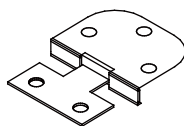
J - 1



J - 2



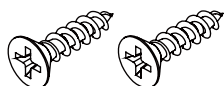
J - 3



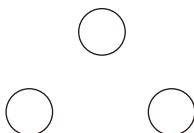
J x 4

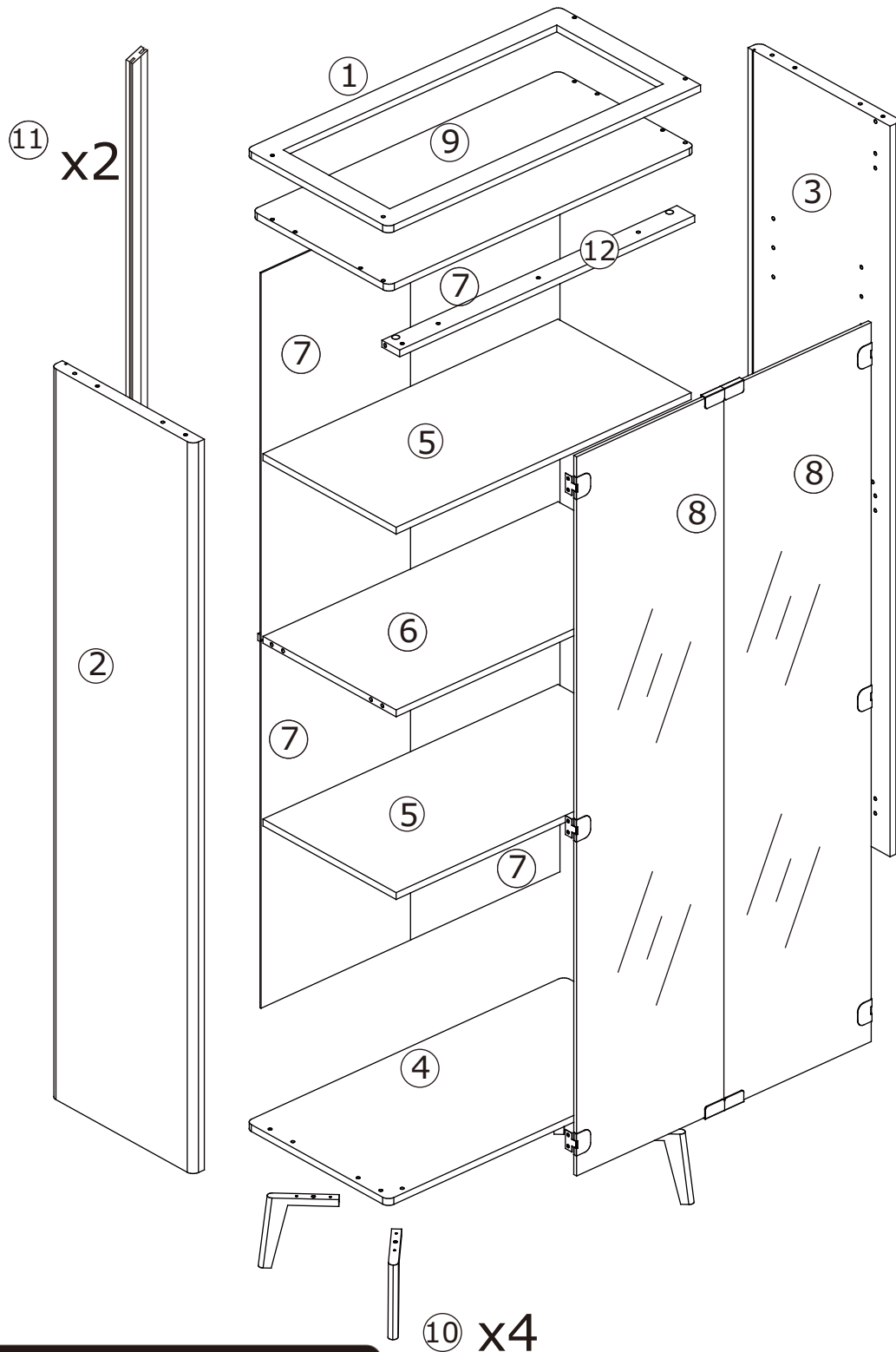


J - 5



J - 6





⚠ WARNING

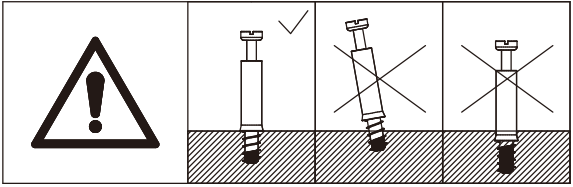
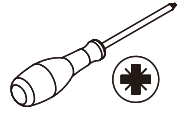
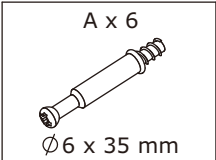


Children have died from furniture tipover. To reduce the risk of furniture tipover:

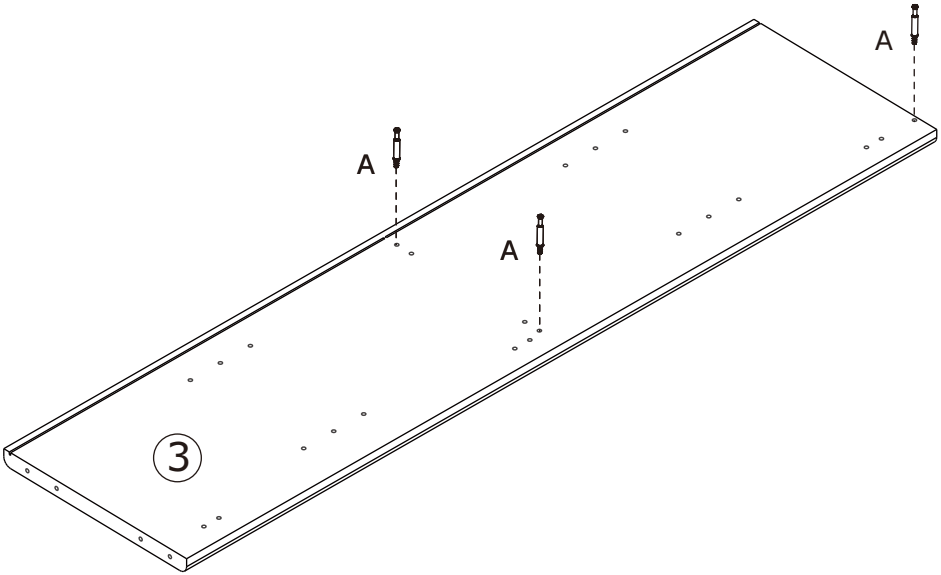
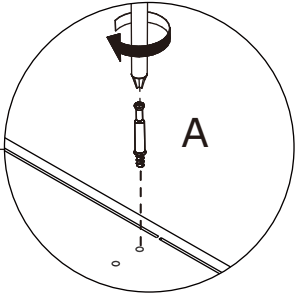
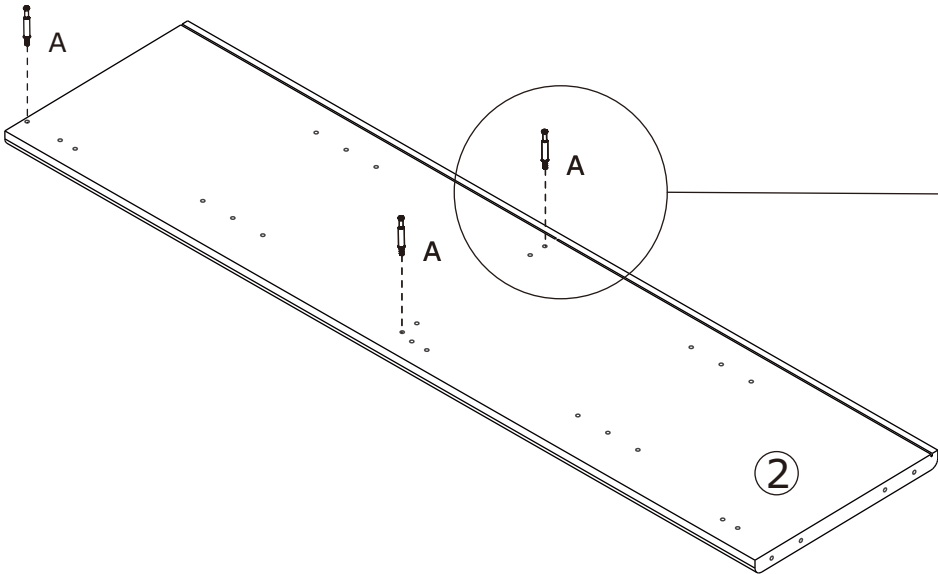
- ALWAYS install tipover restraint provided.
- NEVER put a TV on this product.
- NEVER allow children to stand, climb or hang on drawers, doors, or shelves.
- NEVER open more than one drawer at a time.
- Place heaviest items in the lowest drawers.

*This is a permanent label.
Do not remove!*

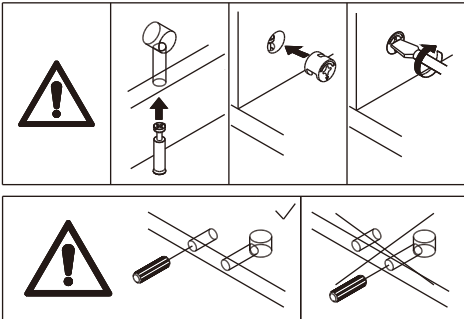
1



Screw eccentric rod(A) into board 2 and 3 with a screwdriver as shown.

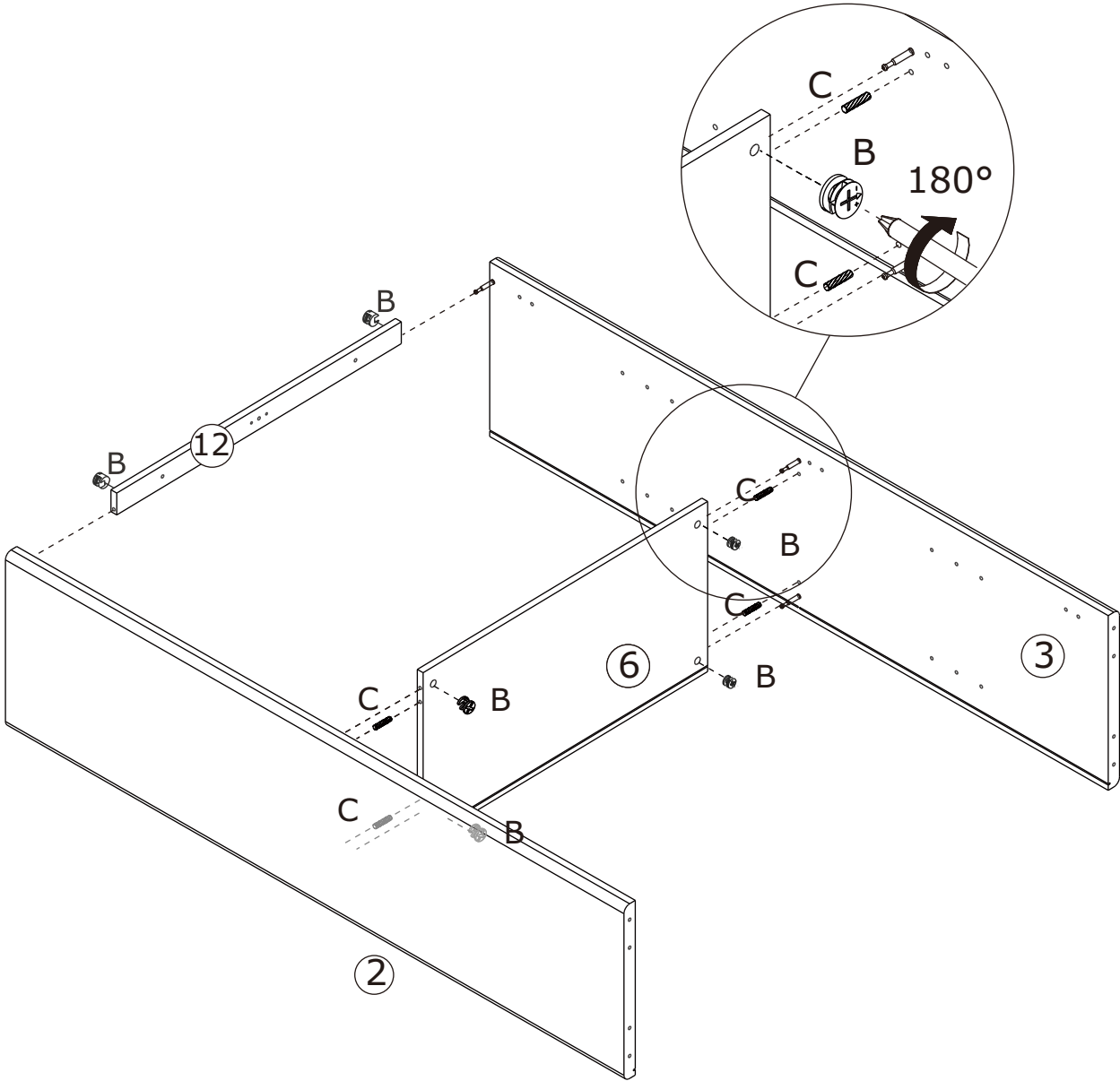


2



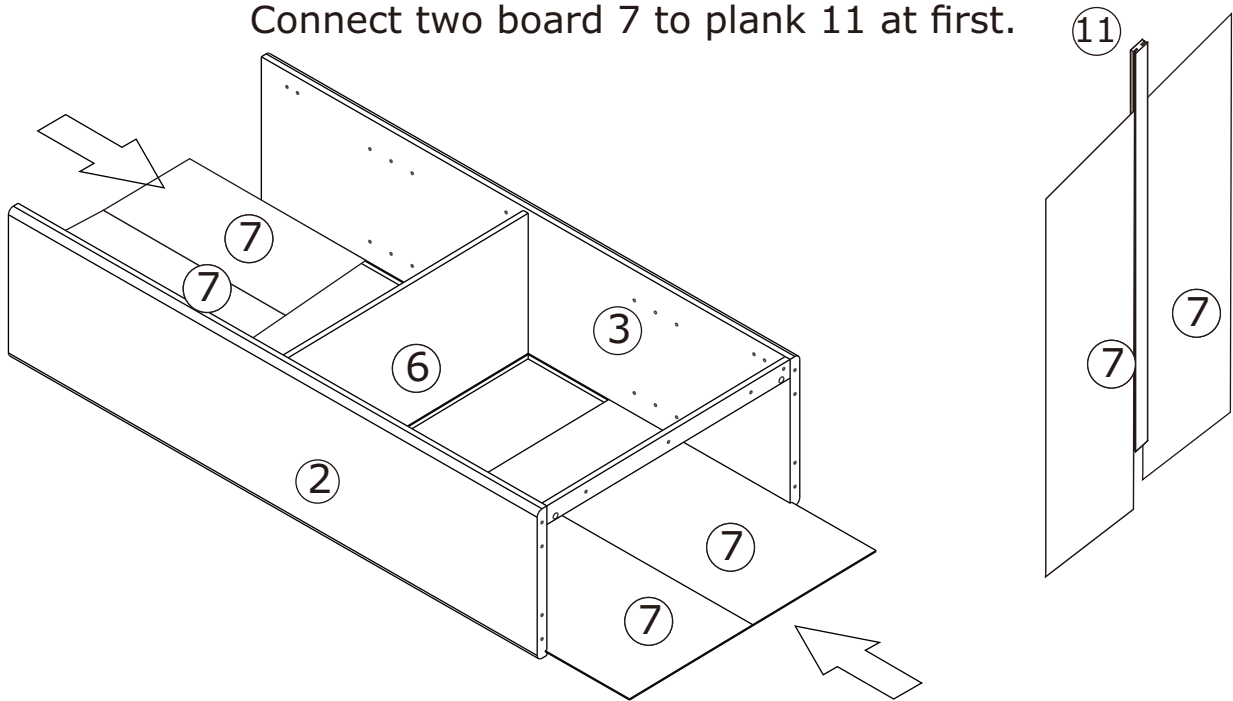
Insert wooden dowel(C) into board 6 a first.

Connect board 3 and 2 to board 12 and 6 , add cam lock(B) into board 6,12 and turn clockwise to tighten as shown.



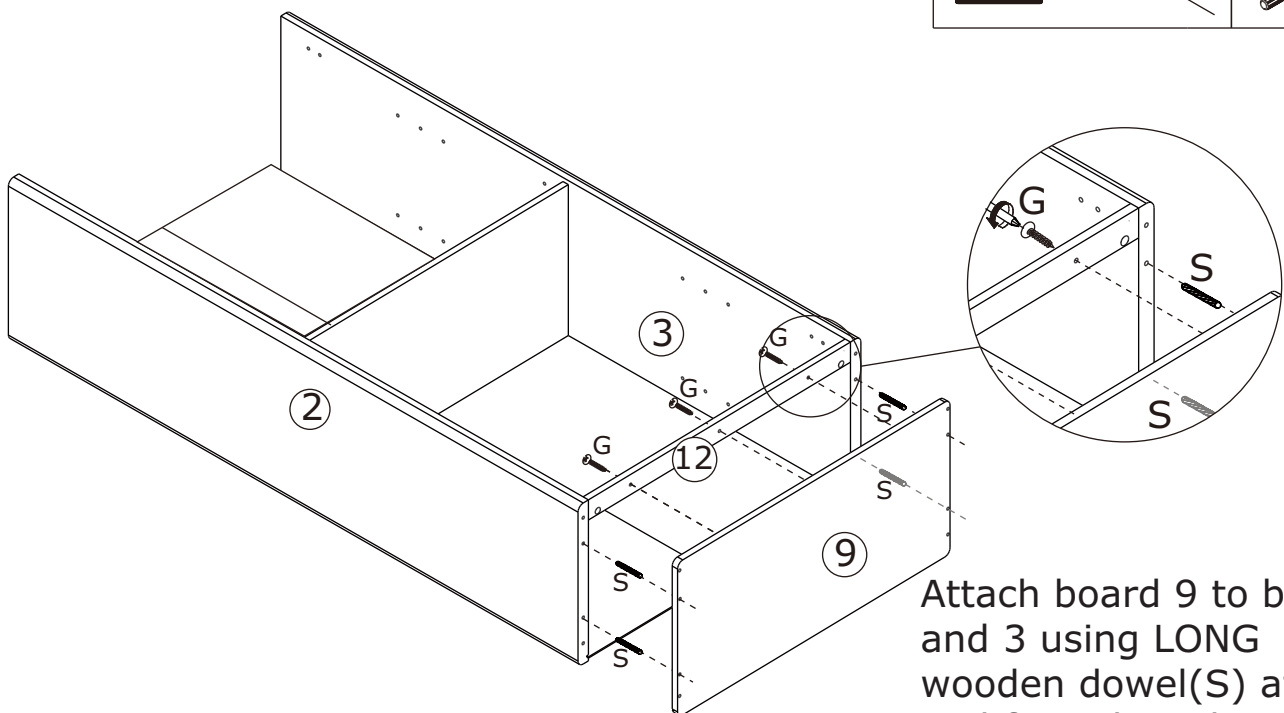
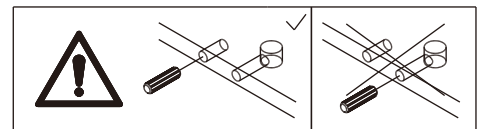
3

Connect two board 7 to plank 11 at first.



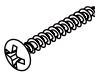
Insert back board 7 along available grooves as shown.

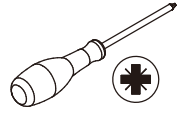
4



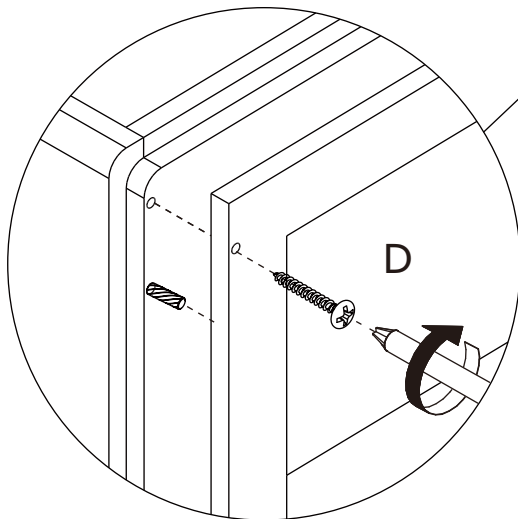
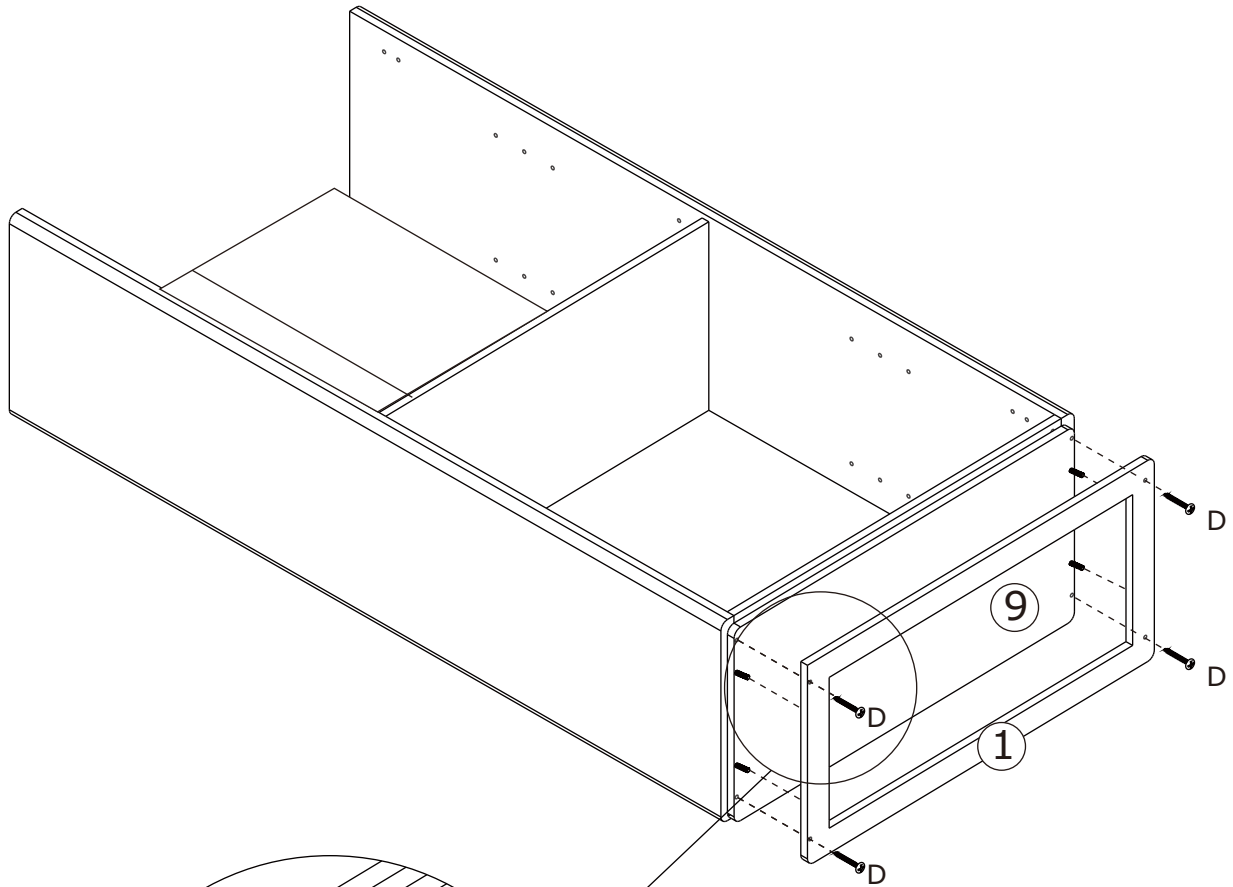
Attach board 9 to board 2 and 3 using LONG wooden dowel(S) at first, and fix to board 12 with screw(G) as shown.

5



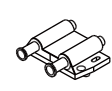


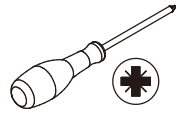
D x 4

Ø4 x 55 mm



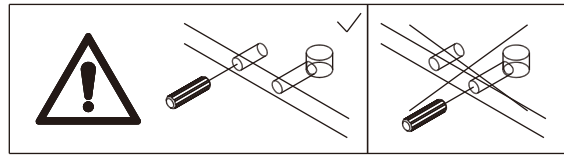
Attach board 1 to board 9 at first, and fix with screw(D) as shown.



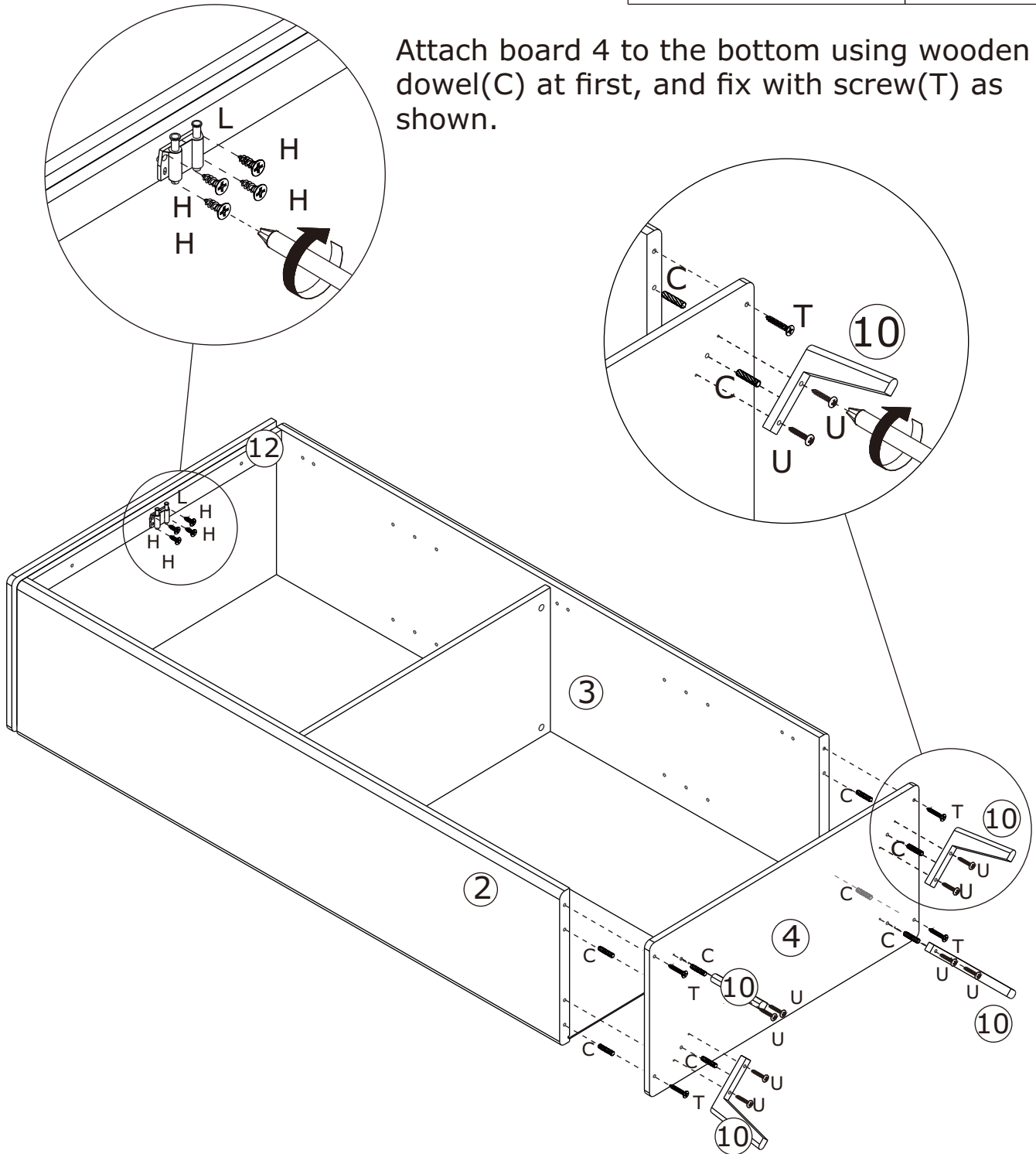
6

C x 8  Ø6 x 30 mm	H x 4  Ø3 x 14 mm	L x 1 	T x 4  Ø4 x 35 mm	U x 8  Ø4 x 30 mm	
--	--	--	---	--	---

Fix part(L) to board 12 using screw(H) as shown.

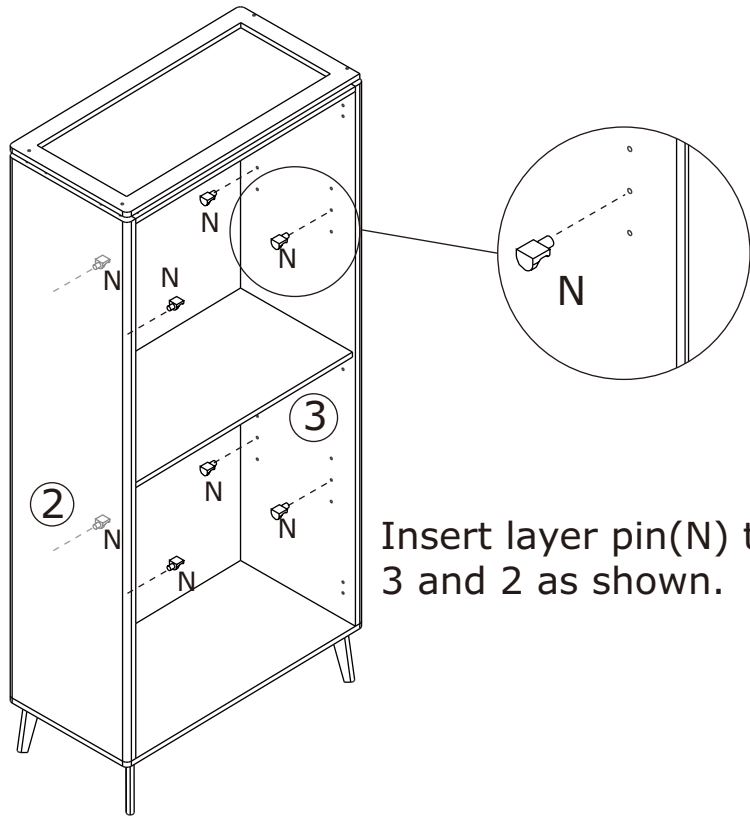
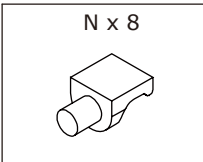


Attach board 4 to the bottom using wooden dowel(C) at first, and fix with screw(T) as shown.



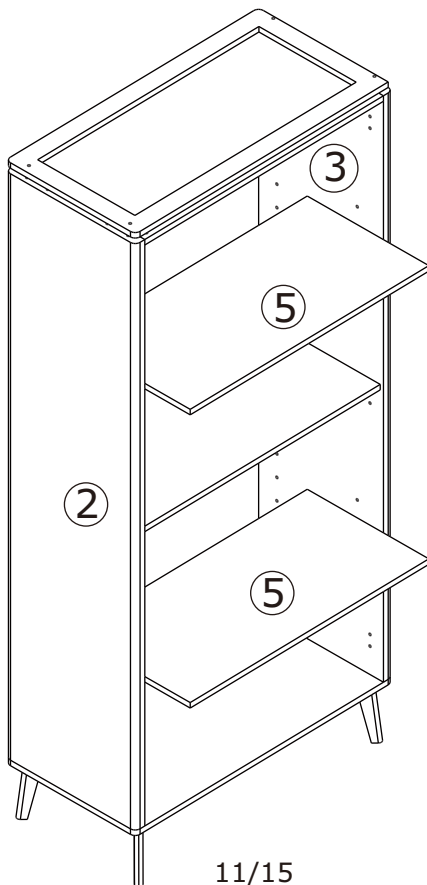
Attach leg 10 to board 4 using wooden dowel(C), and fix with screw(U) as shown.

7



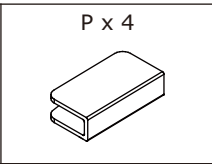
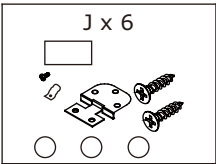
Insert layer pin(N) to board 3 and 2 as shown.

8

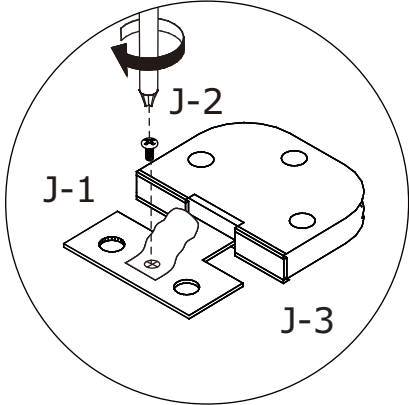
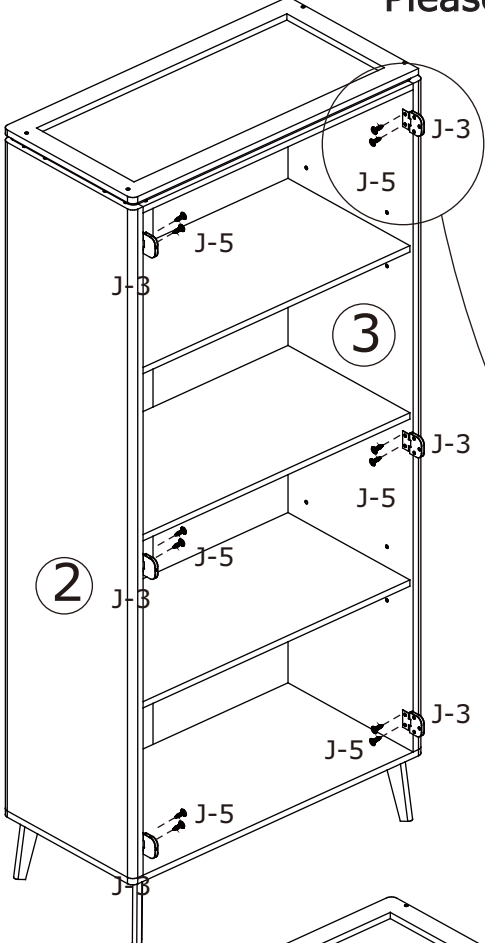


Place shelf board 5 in.

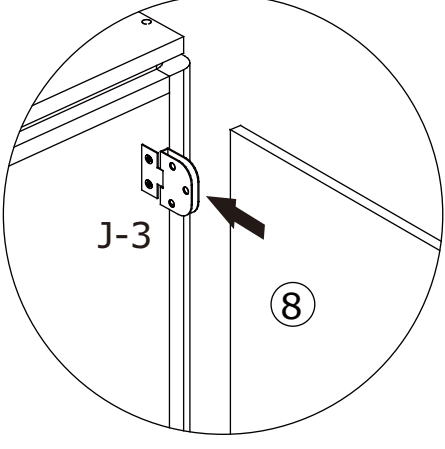
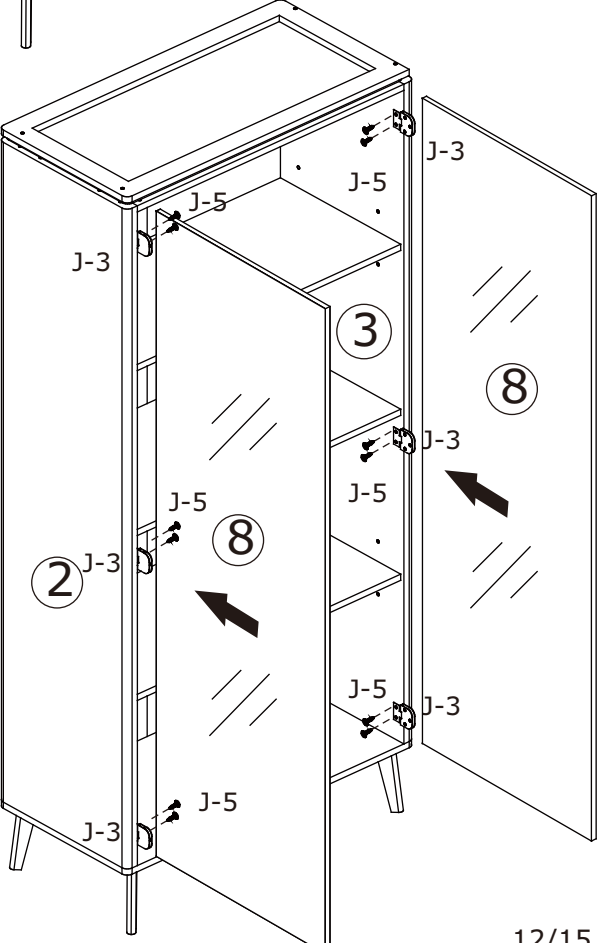
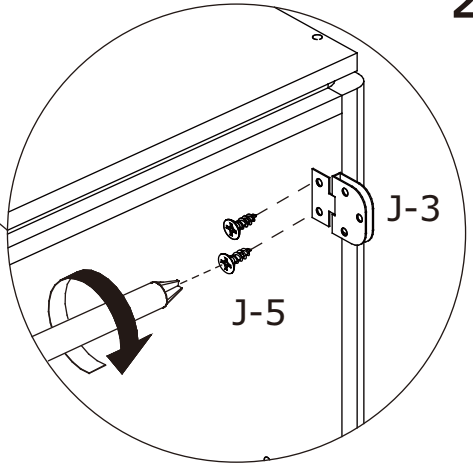
11



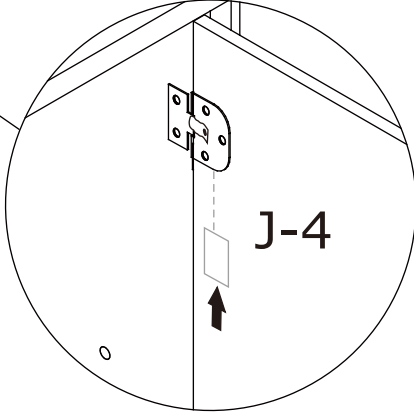
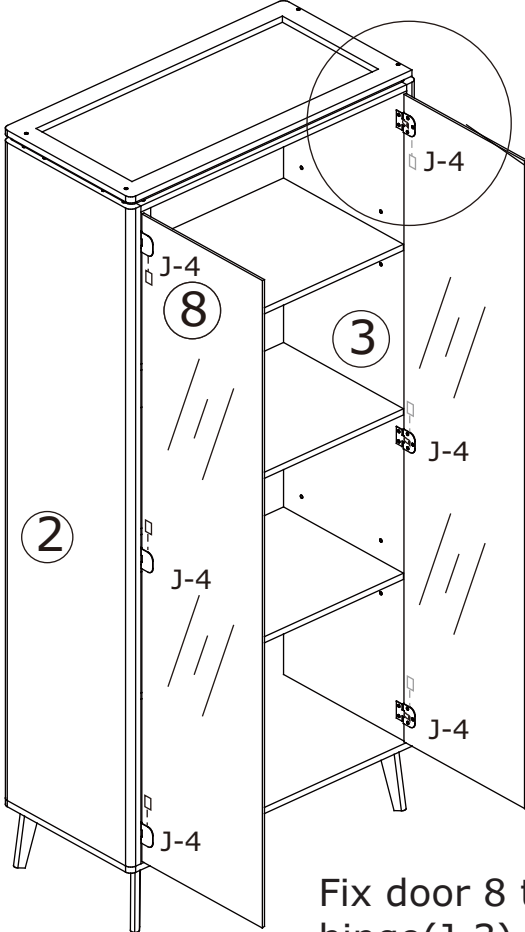
Please refer to page 4 for hinge fittings.



Fix hinge(J-3) to board 2 and 3 with screw(J-5) as shown.

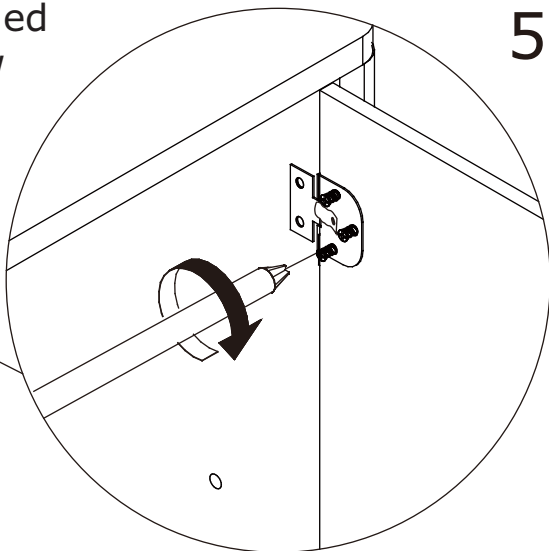
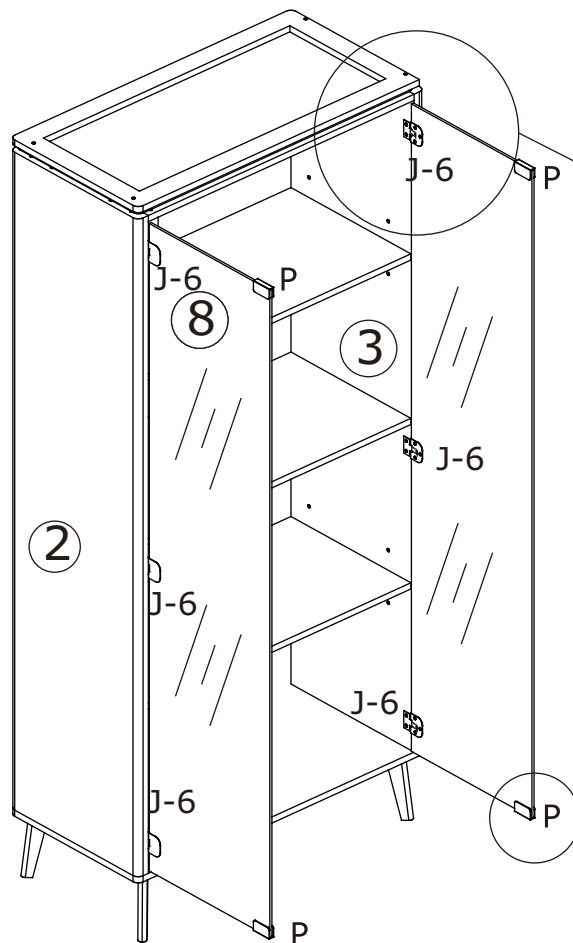


Put the plastic spacer(J-4) in the hinge seam at first.



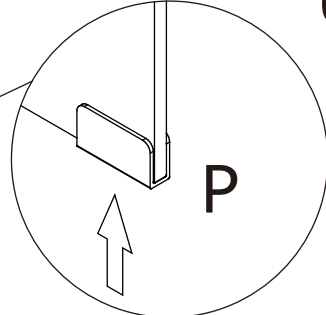
4

Fix door 8 to assembled hinge(J-3) with screw as shown.



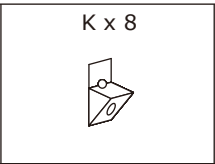
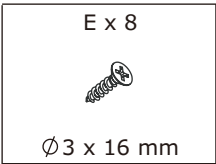
5

Place part(P) to board 8 as shown.

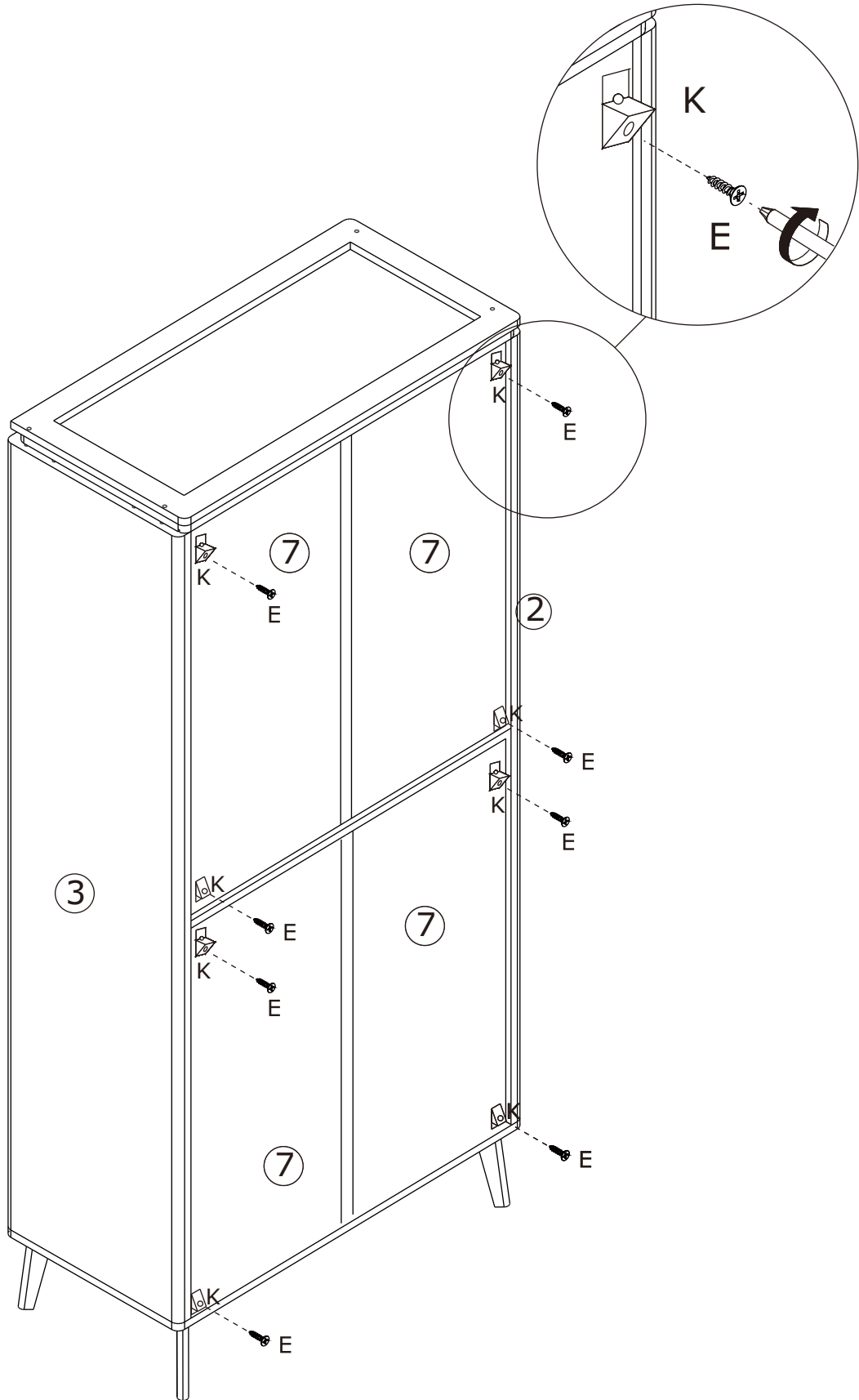


6



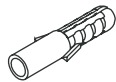

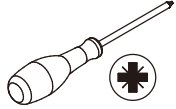
10

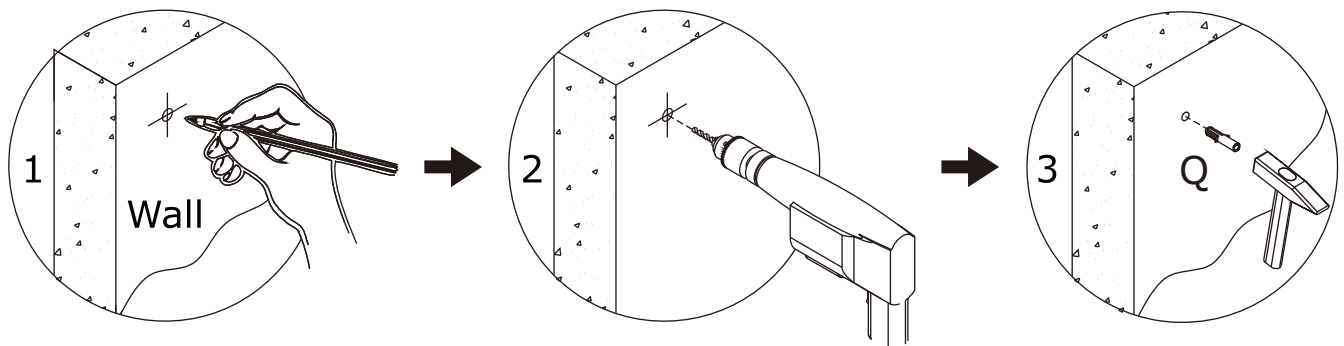


Insert buckle(K) into back slots and fix with screw(E) as shown.

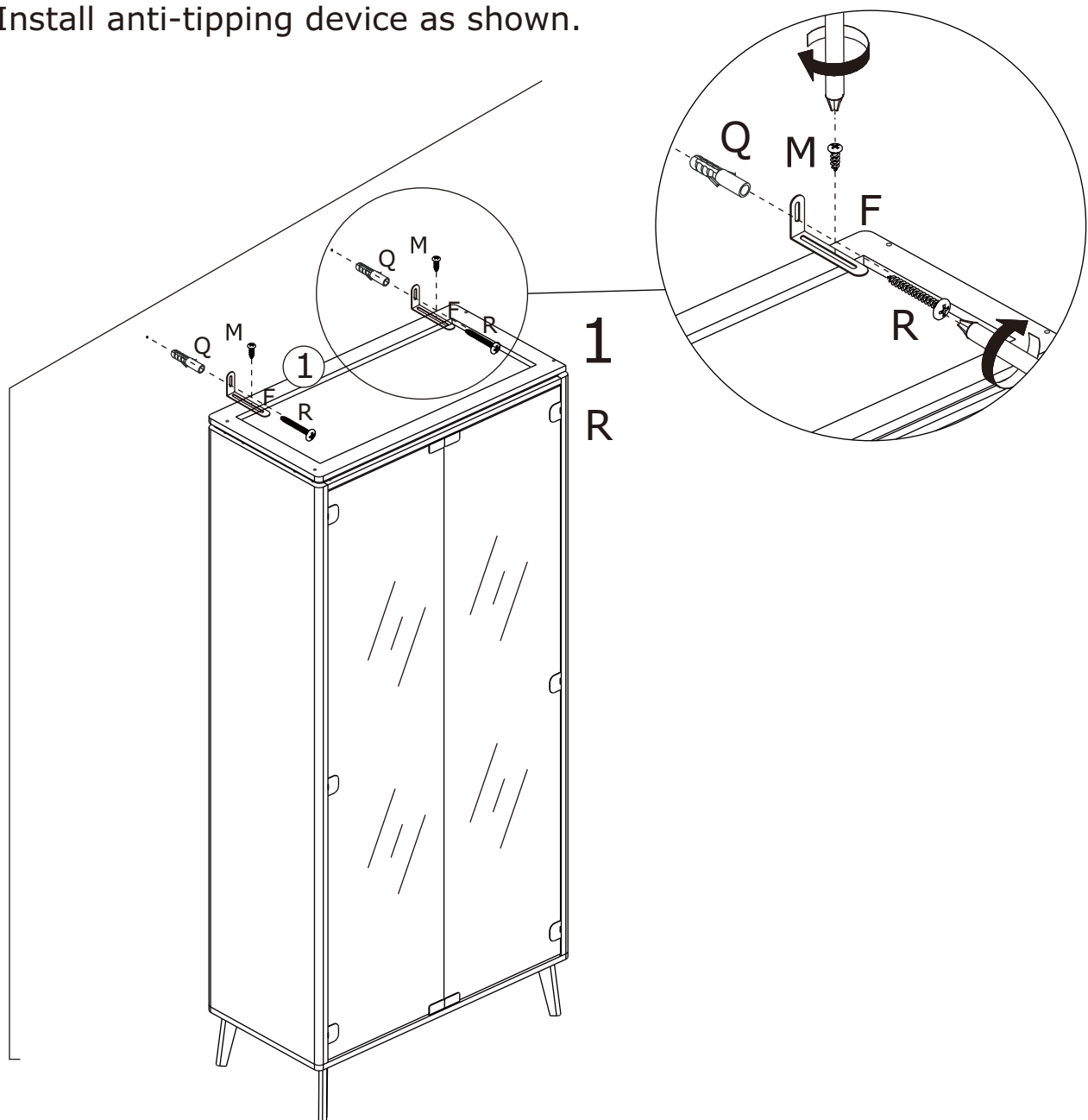


11

F x 2 	M x 2  Ø4 x 12 mm	Q x 2 	R x 2  Ø4 x 40 mm	
--	--	--	---	---



Install anti-tipping device as shown.



WARRANTY

WARRANTY CLAIMS

work properly. The warranty will start from the date of purchase which must be verified by proof of purchase.

- Before making a claim, we may be able to answer your query, simply call us. Please leave your purchase order number, along with some details of the problem, if you want a replacement part. We will arrange within 48 hours. If there is out of stock, we will reply with a shipping date.
- The product must be used in accordance with the instructions provided. For health reasons.
- For other reasons, if the furniture needs to be returned, it must be cleaned and dried and operated within 30 days of receipt.

Type of Warranty Claim

urniture instructions will invalidate the war

- Failure to follow the fu
- Does not include damage during installation, but includes damage during transportation.

Scope of responsibility

- Shall not bear any re
the installation of furniture.
- After using, the damage and scratches of the furniture are not covered by the warranty.

The Warranty Relates to All Bought in The Us and Covers The Following Areas

t parts: 1 month from the date of purchase.

- Shee
- Electrical parts: 1 month from the date of purchase.
- There is a 30-day warran

RETURNS

CHANGED YOUR MIND AND NEED TO RETURN YOUR ITEM?

PLEASE FOLLOW THE BELOW INSTRUCTIONS:

- If you have purchased and have instructions for returns.

, i.e. it does

DEFECTIVE ITEMS

- If your item is defective in any way the first instance, please call us.

DAMAGED ITEMS

- If you receive an order with the delivery is refused. If the delivery has been accepted and then shipping damage is found, please follow the specific instructions advised by the retailer. In all circumstances please save all packaging material and paperwork for the order. Please be aware that if you dispose of packaging material or attempt to return the merchandise without contacting the fulfiller, you jeopardise your chances of making a claim, and you may not receive a credit for the return.

AFTER-SALES CONTACT

with obvious shipping damage from the



feedbackstation@163.com



(303)800-6387