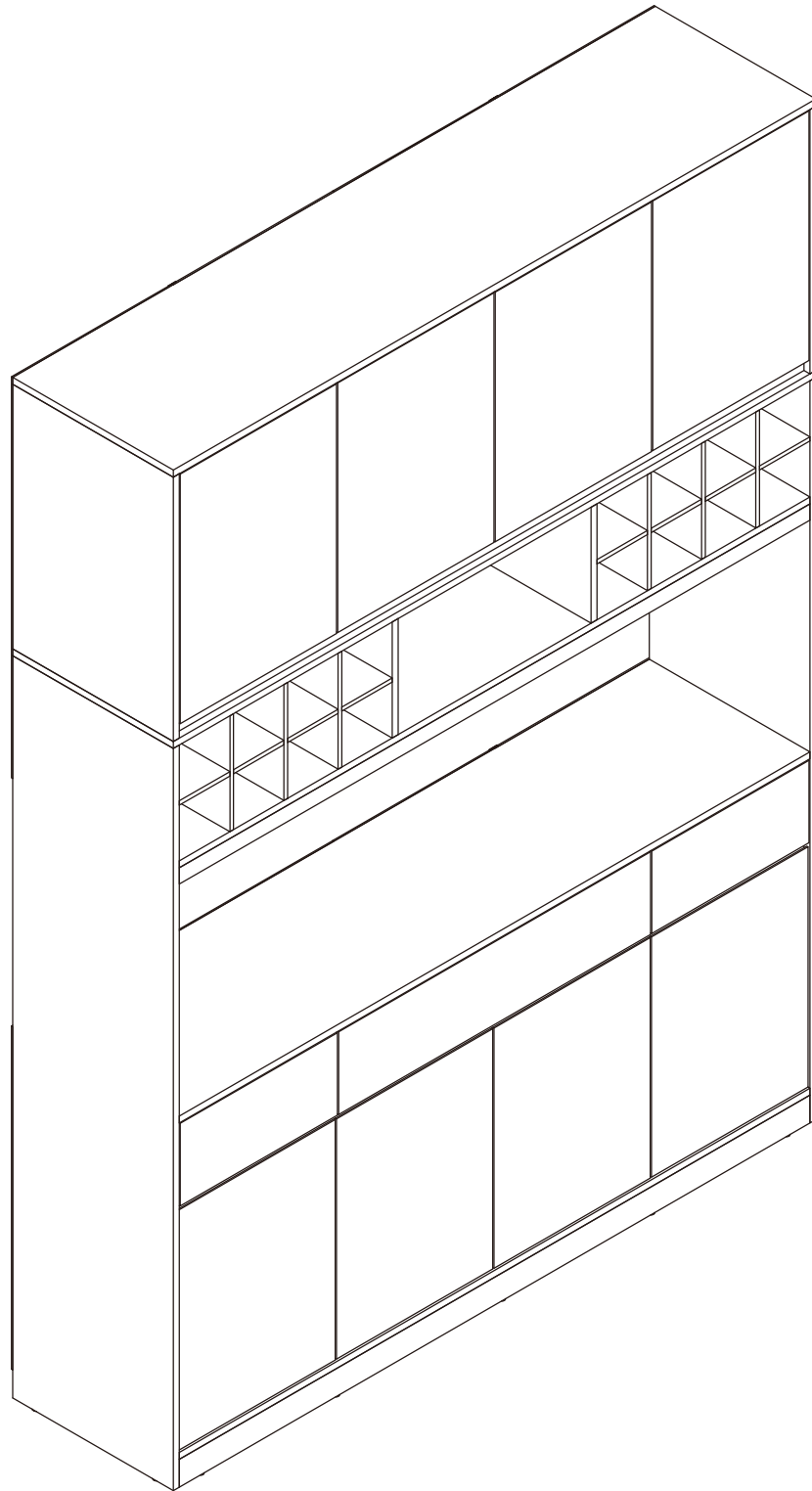
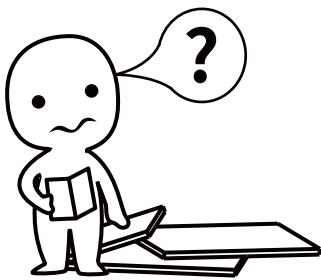


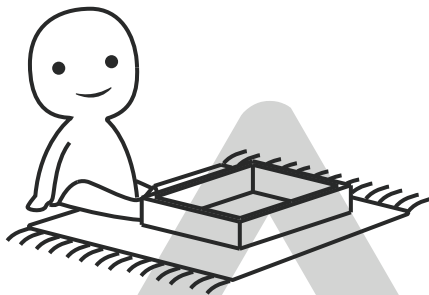
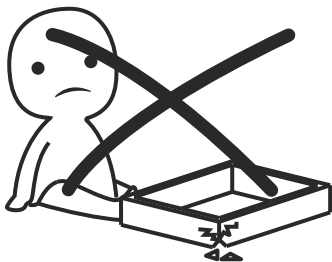
Cabinet





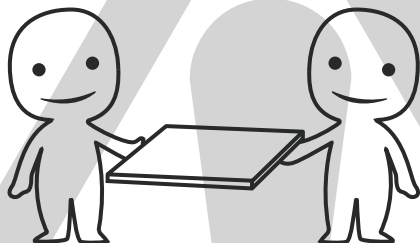
IMPORTANT INFORMATION!

please read the entire manual before starting to assemble and/or using this product. follow the manual thoroughly and keep it for further reference.



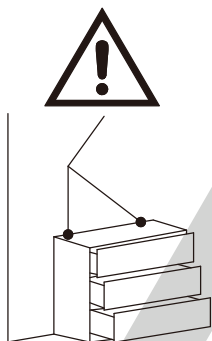
AVOID SCRATCHES!

In order to avoid scratching this furniture should be assembled on a soft layer- could be a rug.



IMPROVE EFFICIENCY !

Try to find a partner to install with you, which can speed up the installation efficiency and shorten the time.



ANTI-TOPPLE WARNING !

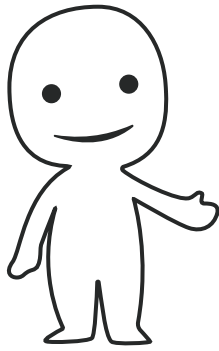
Overturnd furniture can cause serious or fatal crush injuries. To prevent tipping over, be sure to use the wall attachment, if not included with this product. Please purchase the wall attachment that fit your wall. If unsure, seek professional advice. Please read and follow each step of the instructions carefully.

IMPORTANT !

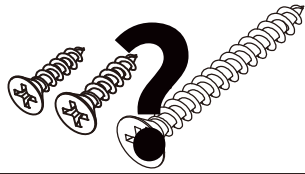
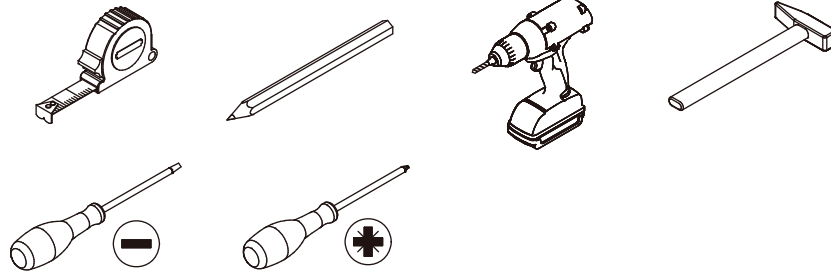
It is important that any product which is assembled using any kind of screw is re-tightened 2 weeks after assembly, and once every 3 months - in order to assure stability through-out the lifespan of the product.

For regular maintenance and cleaning of the product, for the frame, please use a rag dipped in neutral detergent to fully wipe it, and then dry it with a clean rag. For glass materials, wipe with a rag dampened with water glass cleaner, and then dry with a dry rag.

Do not use an electric screwdriver, and do not use too much force when installing, because the board is easy to break.

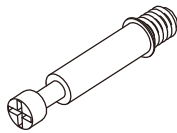


Please prepare the following tools



When installing, please carefully confirm whether each screw corresponds to the manual, accessories with similar shapes can be distinguished by size

A x 29(+2)



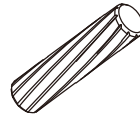
Ø6 x 35mm

B x 29(+2)



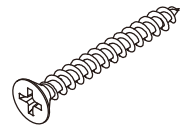
Ø15 x 10mm

C x 64(+3)



Ø6 x 30mm

D x 50(+3)



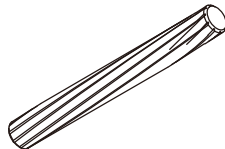
Ø4 x 40mm

E x 60(+4)



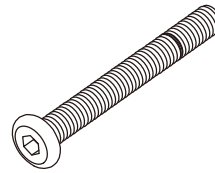
Ø3.5 x 12mm

F x 4



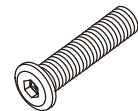
Ø6 x 50mm

G x 4



Ø6 x 50mm

H x 4



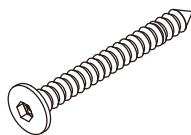
Ø6 x 30mm

J x 4



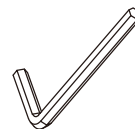
Ø6 x 12mm

K x 20



Ø5 x 40mm

L x 1



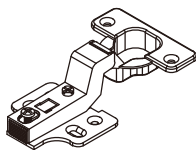
M4mm

M x 14

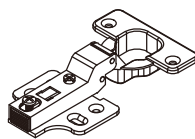


Ø15mm

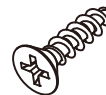
N x 8



P x 8



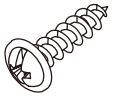
Q x 96(+4)



R x 16(+1)



S x 100(+4)

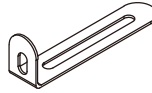


Ø2.5 x 14mm

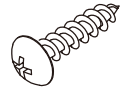
T x 8



U x 2



V x 4

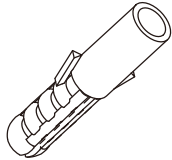


Ø4 x 14mm

W x 6



Y x 2



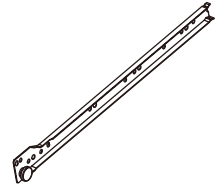
Ø6 x 30mm

Z x 28(+2)



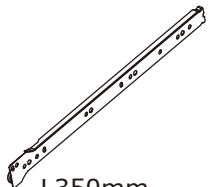
Ø20mm

CL x 3



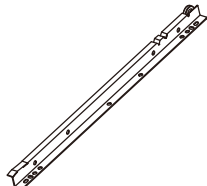
L350mm

CR x 3



L350mm

DL x 3

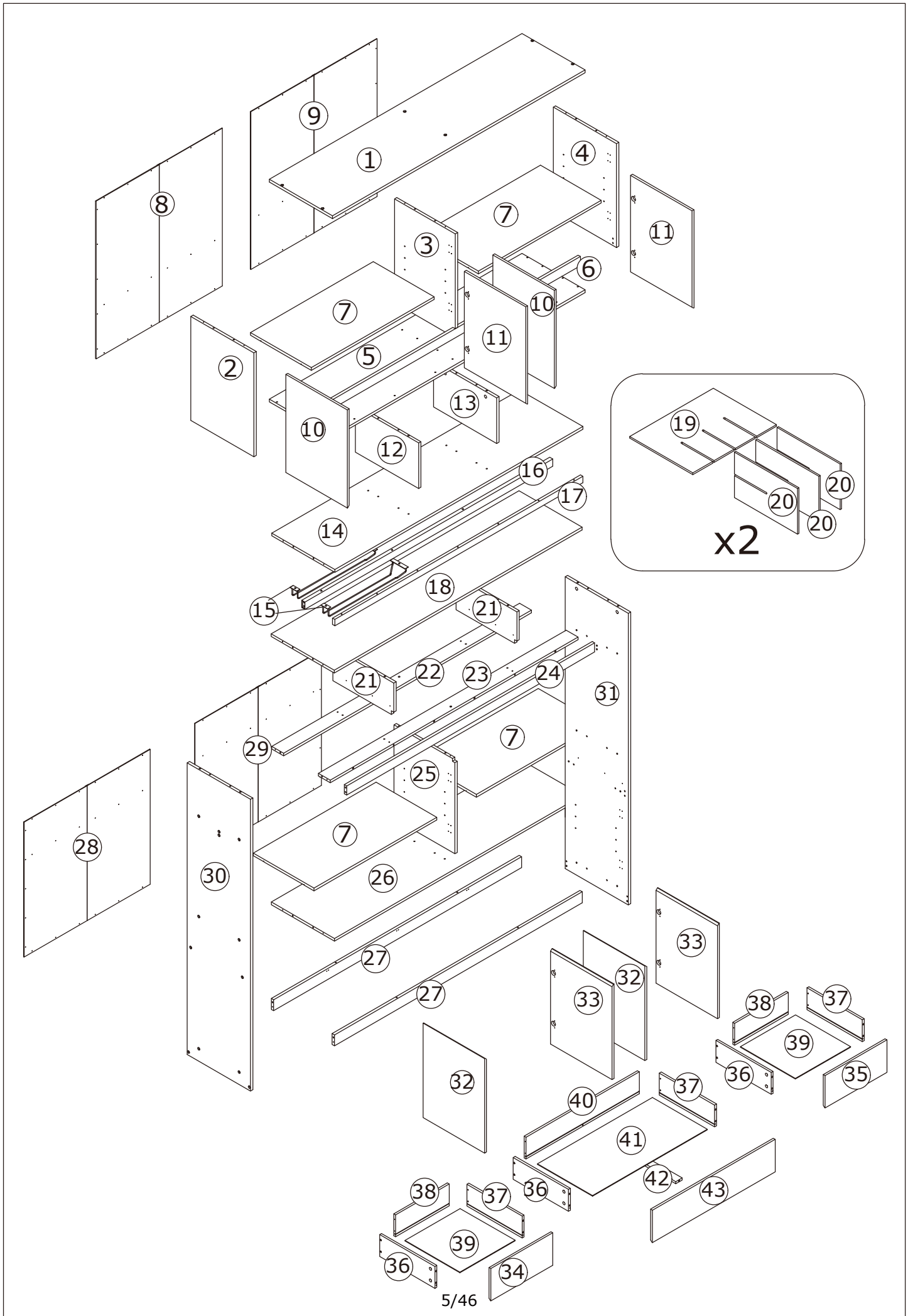


L350mm

DL x 3



L350mm

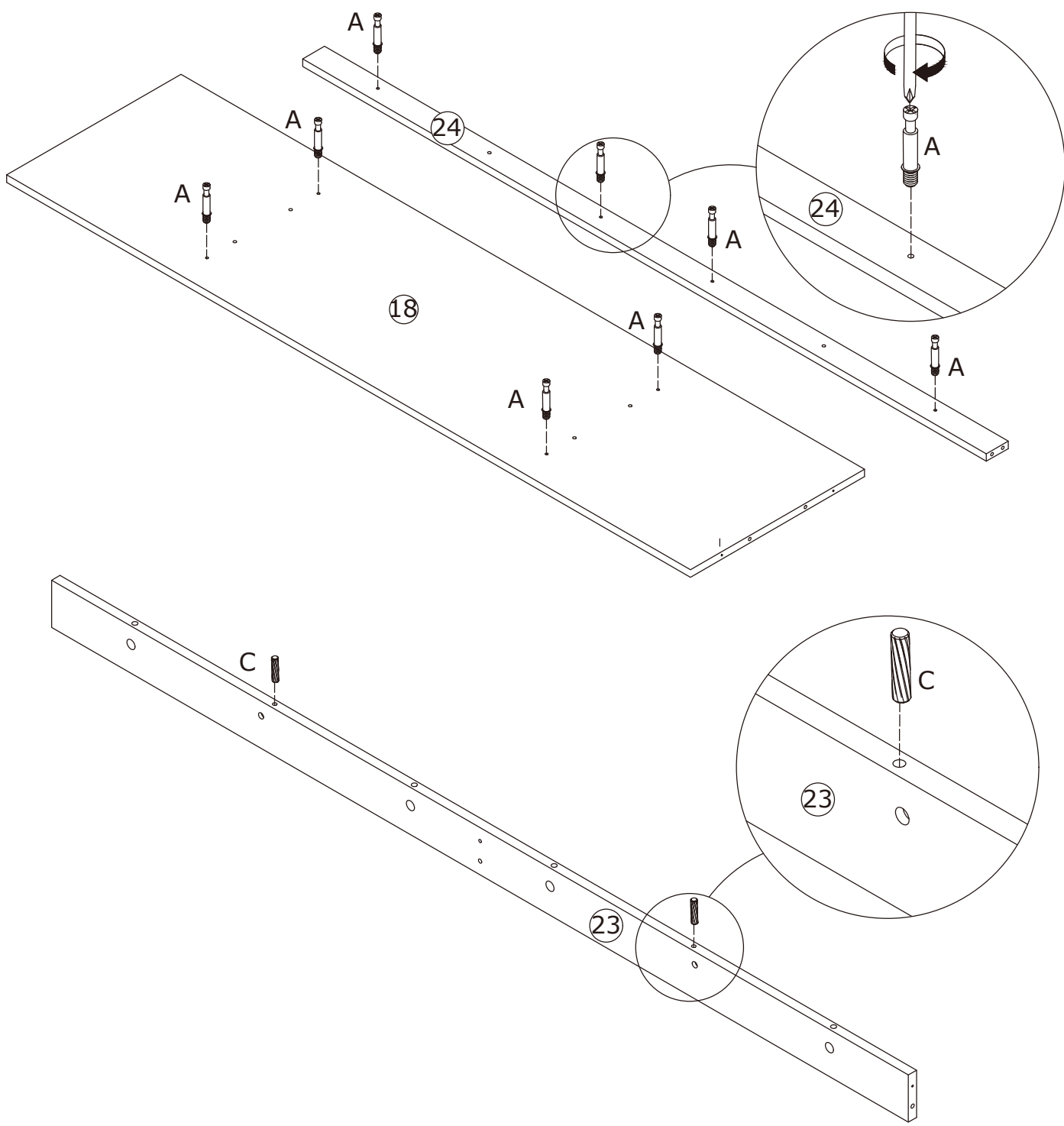
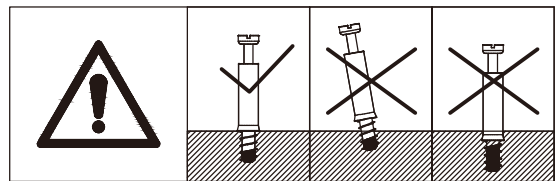


1




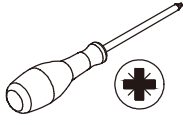
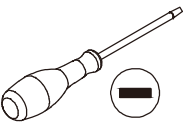


Insert quickfit screw(A) into corresponding holes in plate 18 and 24 as shown.

Insert wooden tenon(C) into plate 23 as shown.

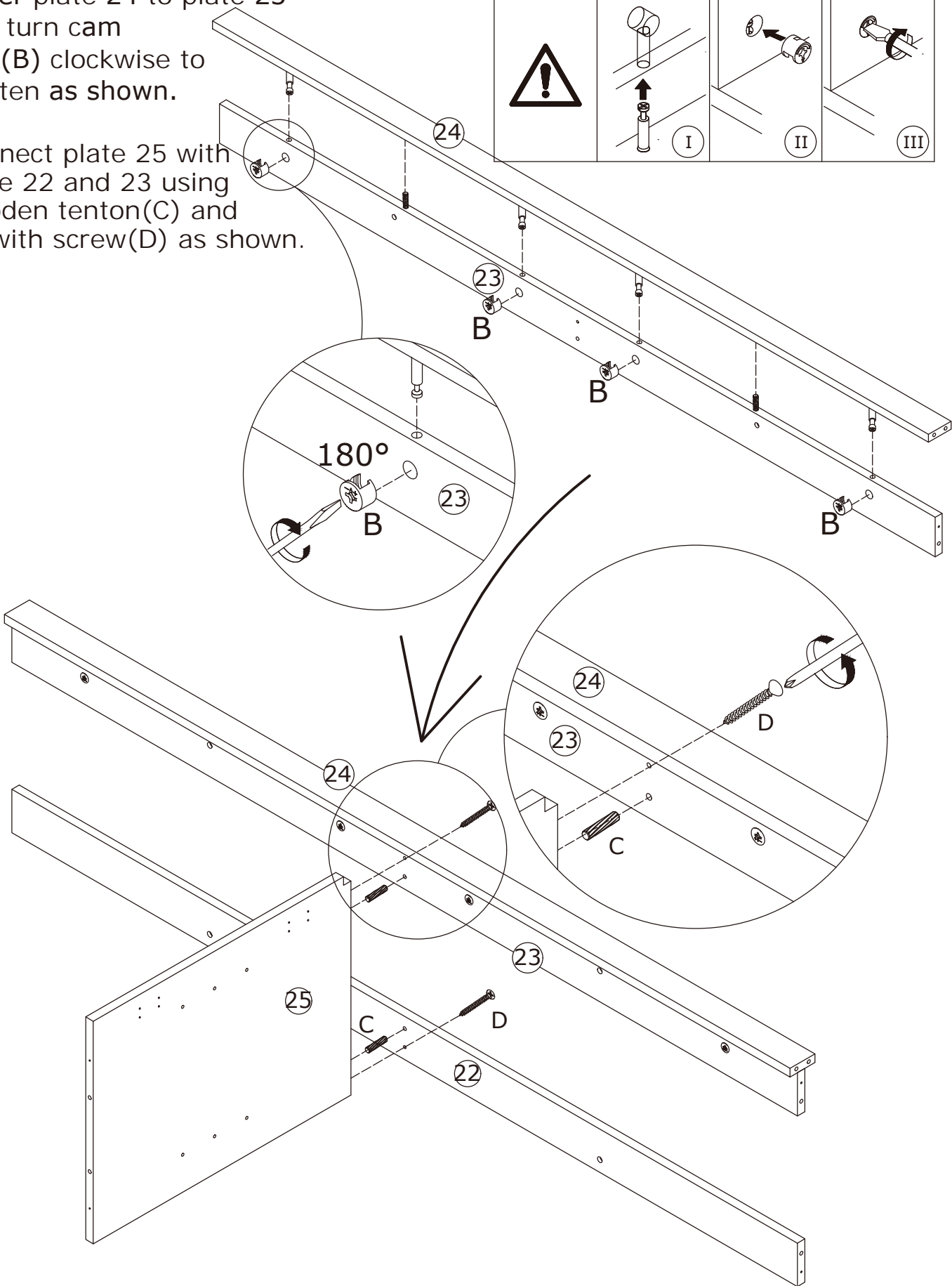
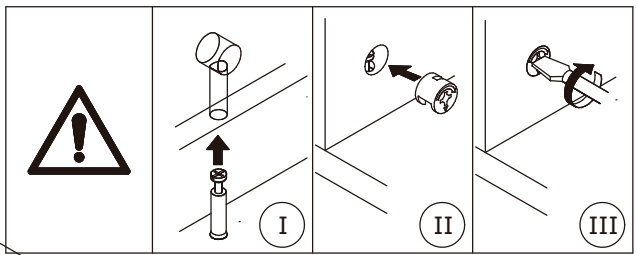


2


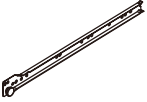
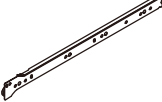
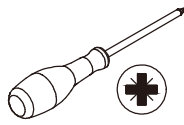
<p>B x 4  Ø15 x 10mm</p>	<p>C x 2  Ø6 x 30mm</p>	<p>D x 2  Ø4 x 40mm</p>	 
---	--	--	--

Cover plate 24 to plate 23 and turn cam lock(B) clockwise to tighten as shown.

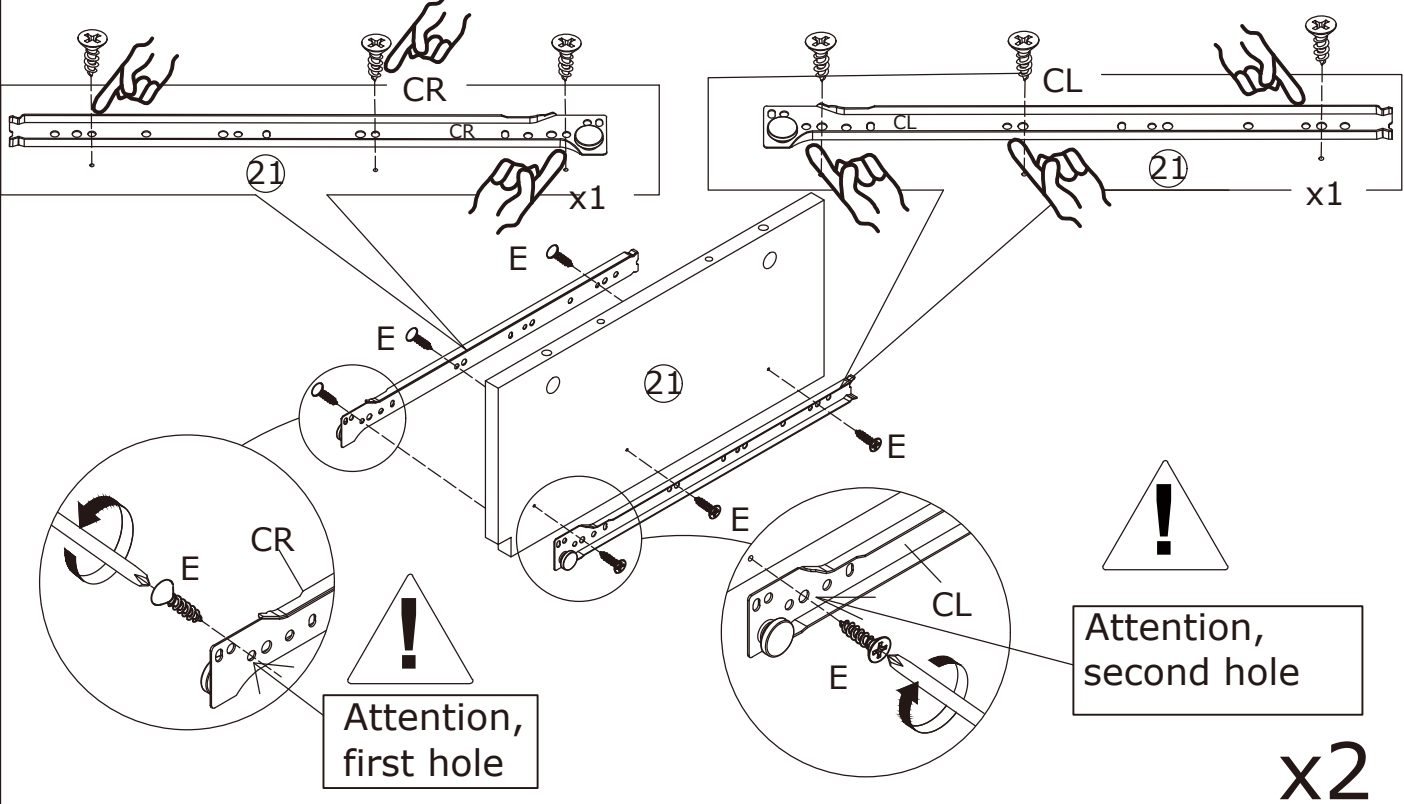
Connect plate 25 with plate 22 and 23 using wooden tenton(C) and fix with screw(D) as shown.




3

<p>E x 12</p>  <p>Ø3.5 x 12mm</p>	<p>CL x 2</p>  <p>L350mm</p>	<p>CR x 2</p>  <p>L350mm</p>	
--	---	---	---

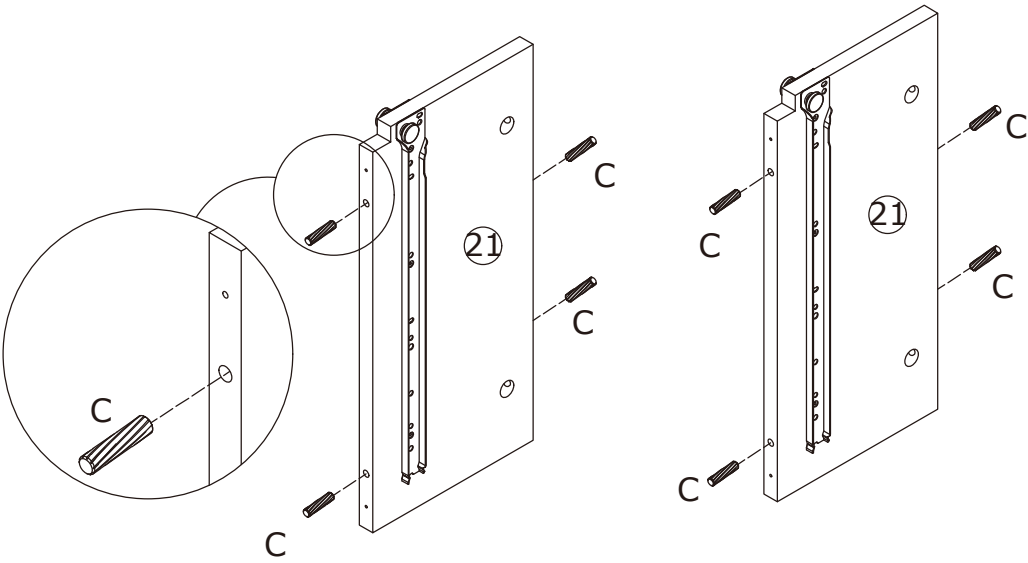
Fix slide rail (CL) and (CR) to the corresponding positions of plate 21 with screw(E) as shown.



4

<p>C x 8</p>  <p>Ø6 x 30mm</p>	
---	--

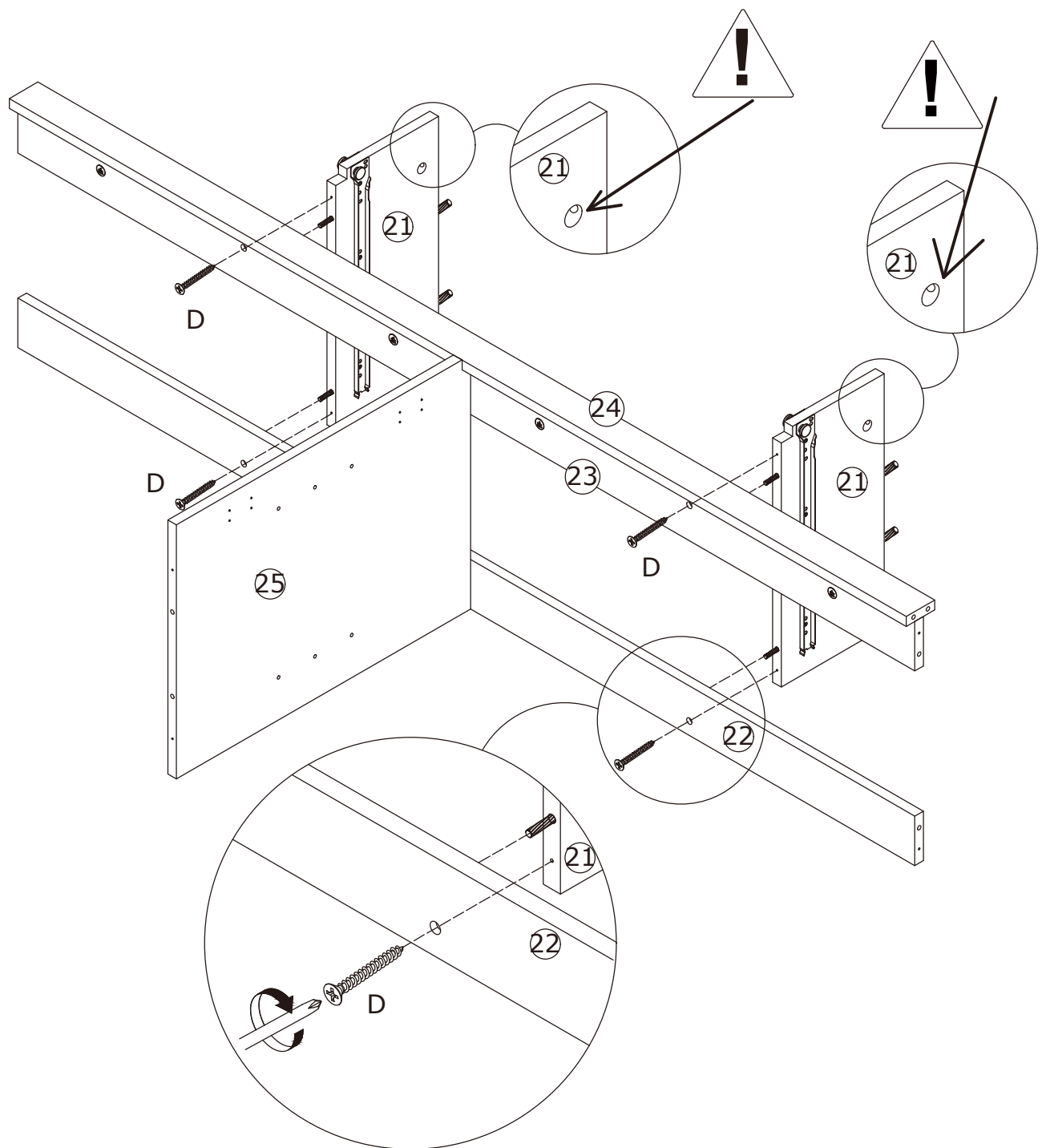
Insert wooden tenon(C) into plate 21 as shown.



5



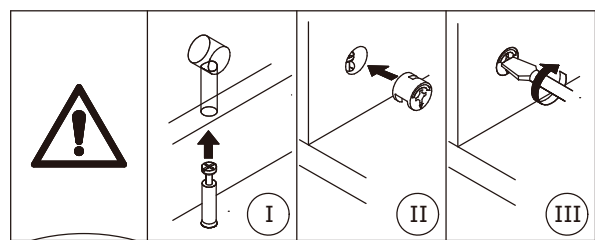
Connect plate 21 with plate 22 and 23 using screw(D) as shown.



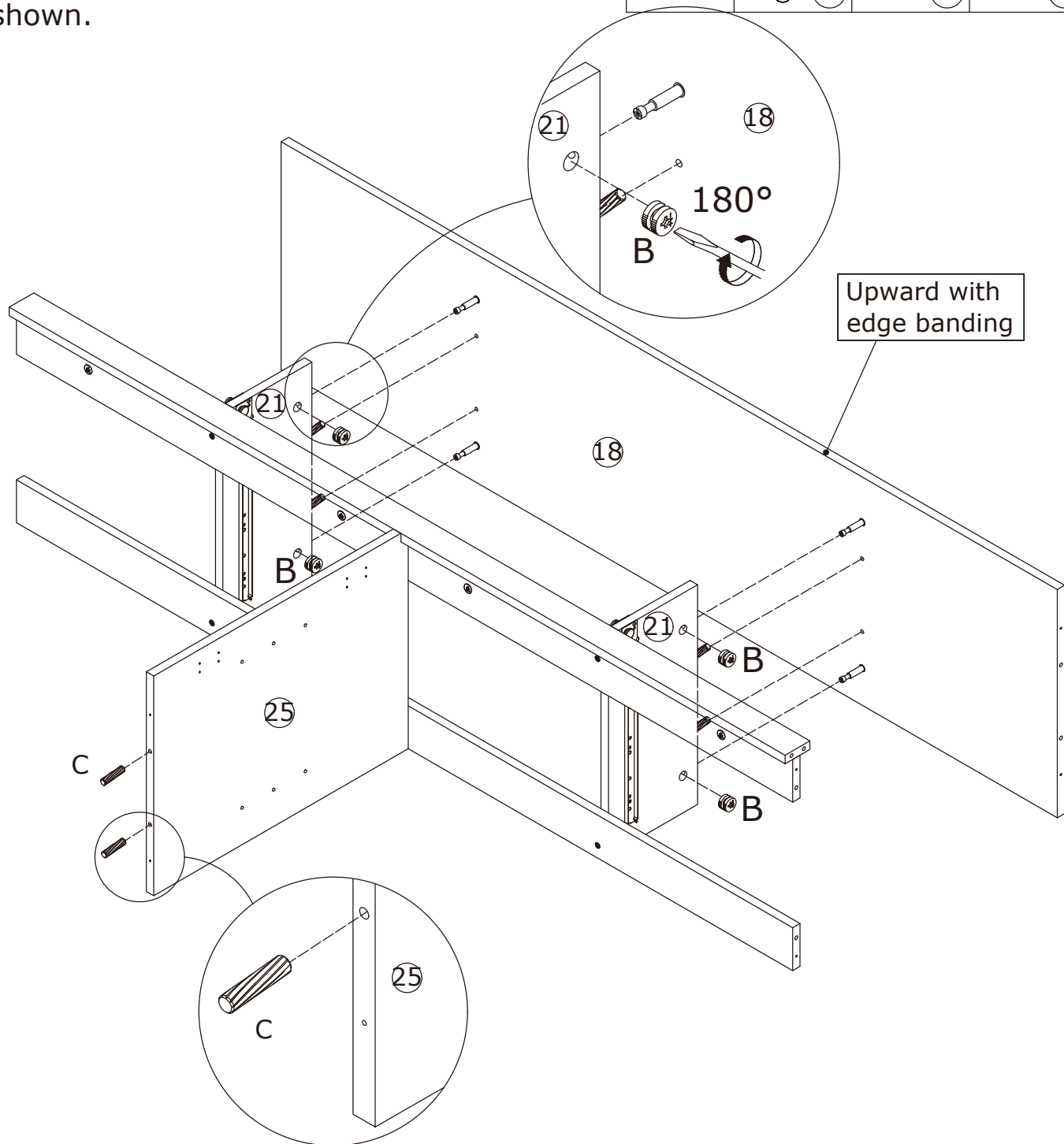
6

B x 4  Ø15 x 10mm	C x 2  Ø6 x 30mm	
--	---	---



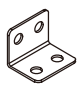
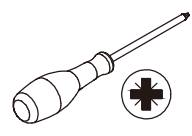
Cover plate 18 to plate 21 turn cam lock (B) clockwise to tighten as shown.



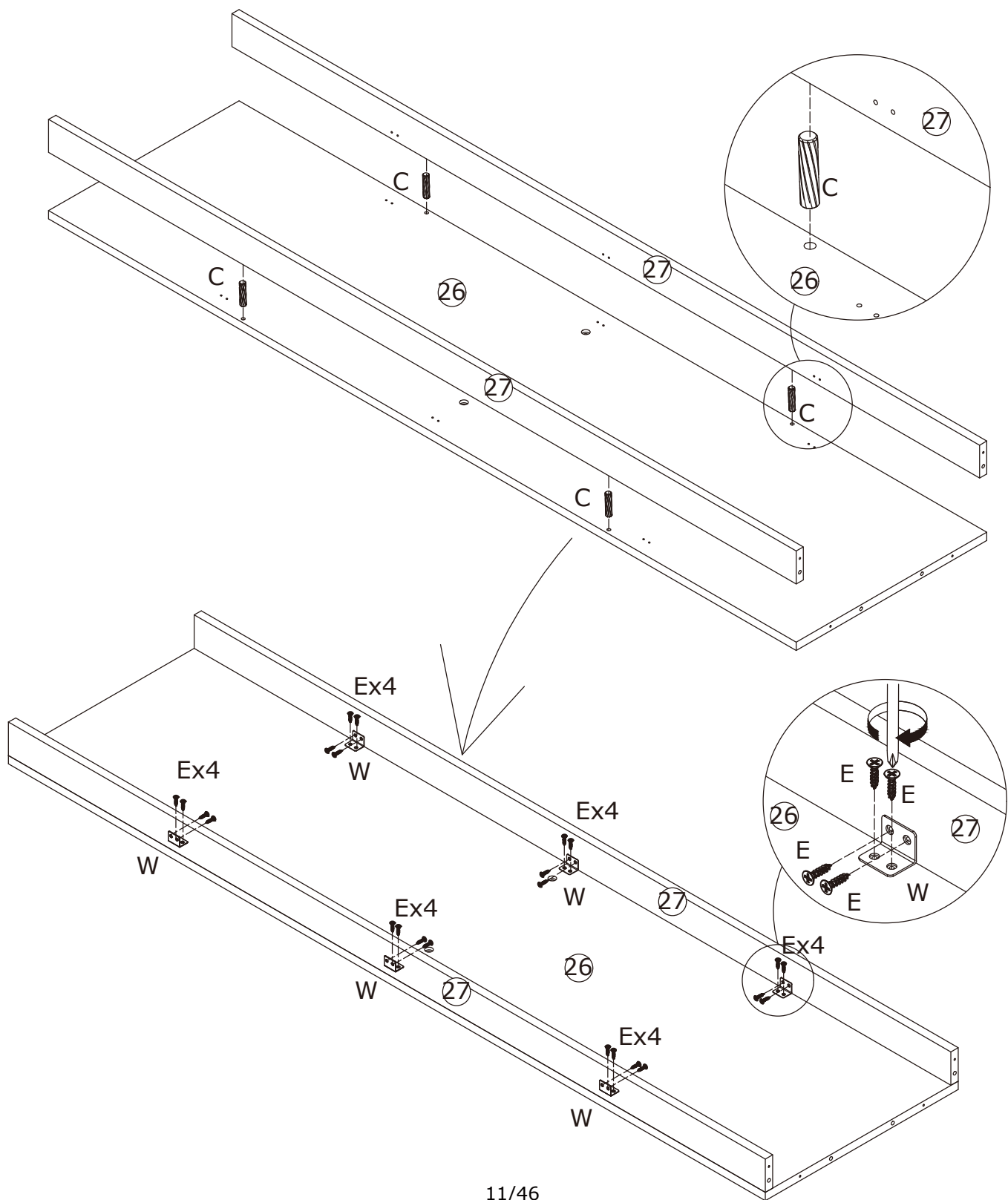
Insert wooden tenon(C) into plate 25 as shown.



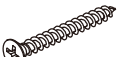
7

C x 4  Ø6 x 30mm	E x 24  Ø3.5 x 12mm	W x 6 	
---	--	--	---

Attach plate 27 to plate 26 using wooden dowel(C)
as shown.
Please fix the L-shaped iron sheet (W) to plate 26
and 27 with screws(E) as shown.



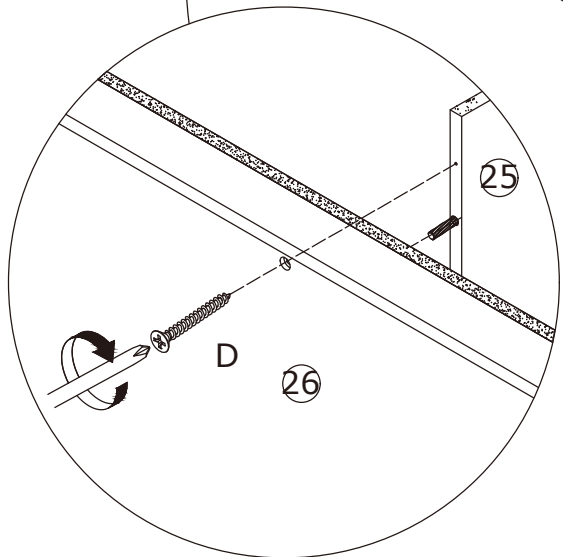
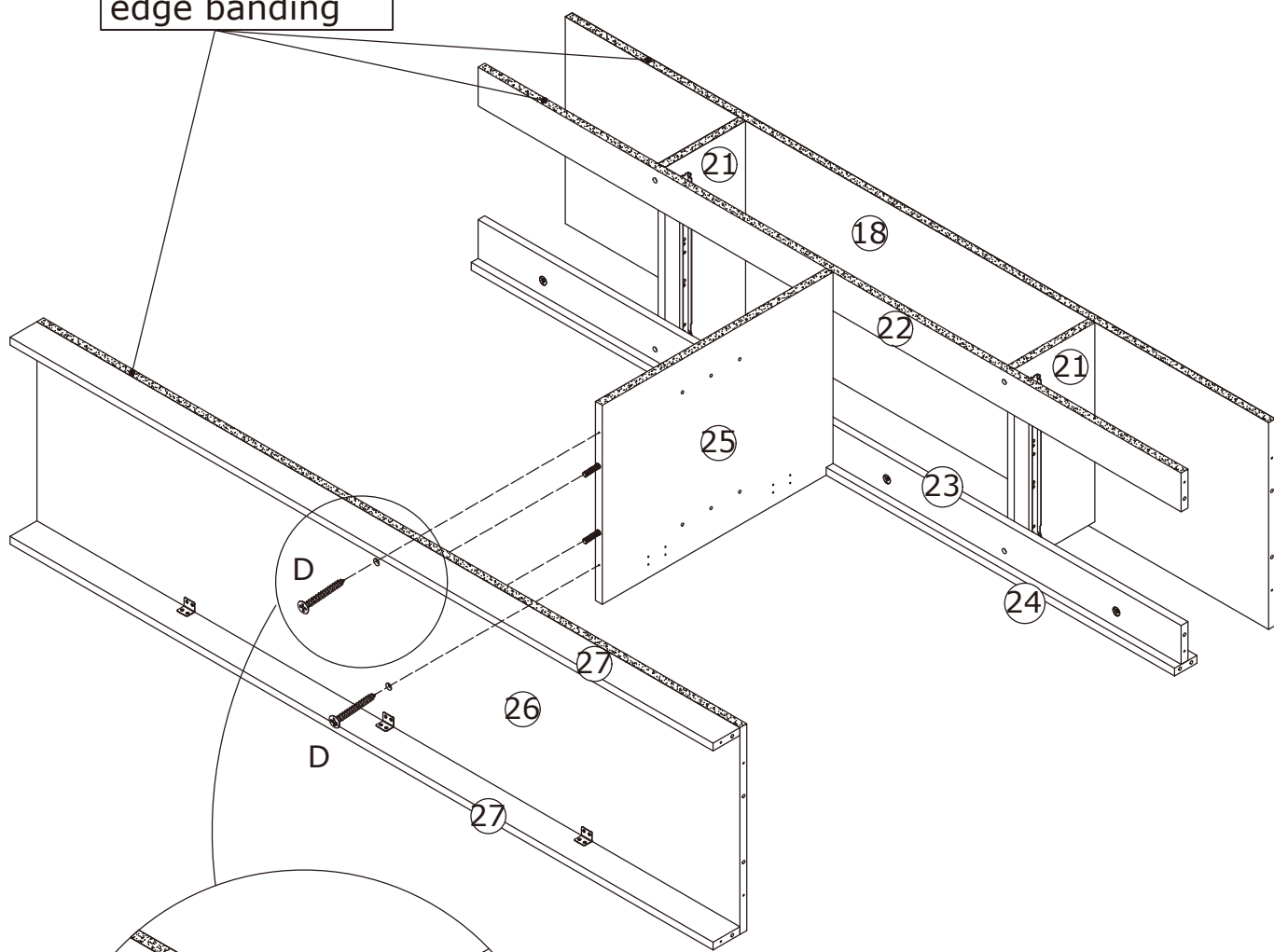
8

<p>D x 2</p>  <p>Ø4 x 40mm</p>	
---	---


Please connect plate 25 with plates 26 using screw(D) as shown.



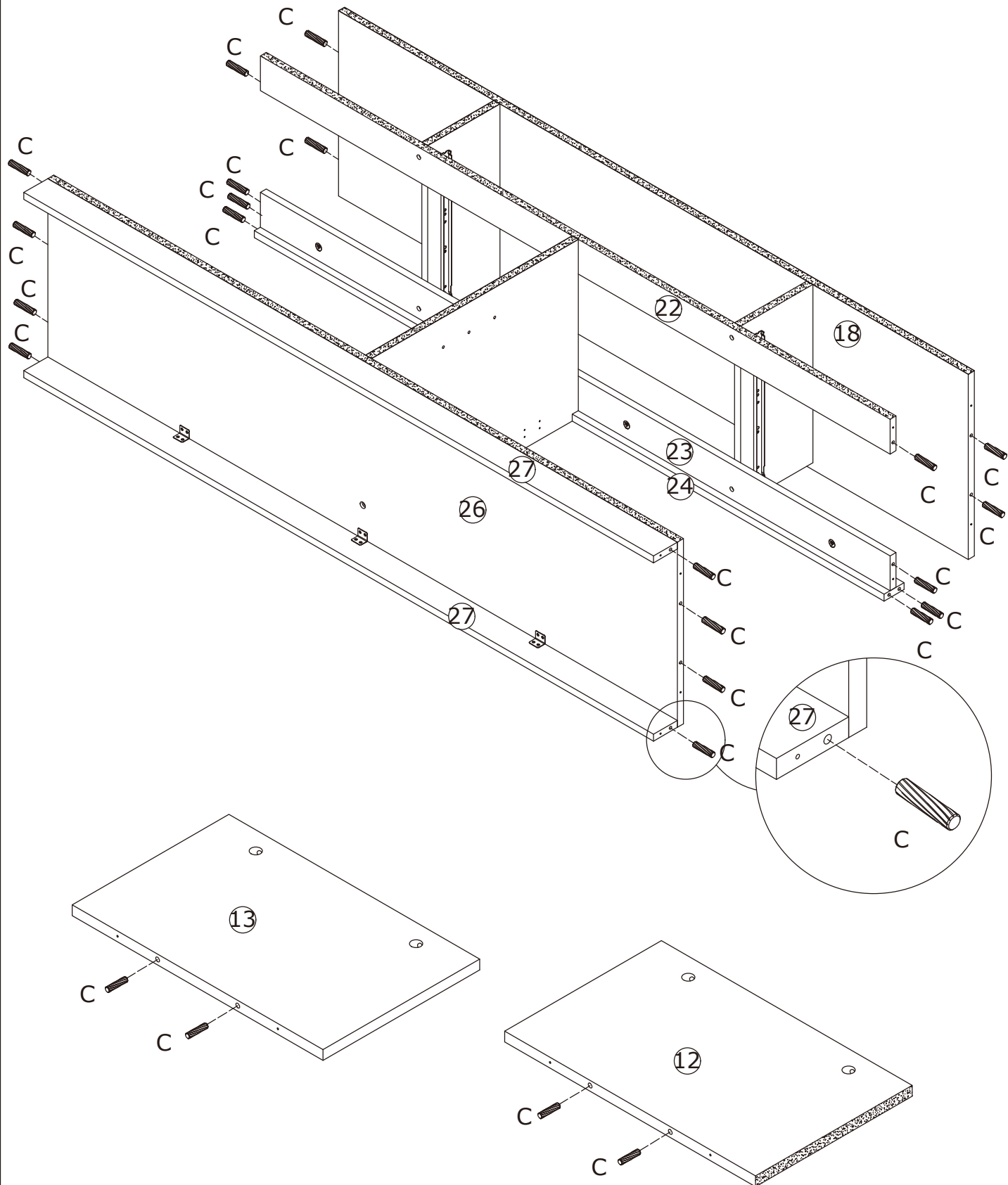
Upward without edge banding






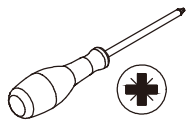
9

C x 24

Ø6 x 30mm

Please insert wooden tenon(C) into the corresponding holes in plates 12,13, 18, 22, 23, 24, 26 and 27 as shown.



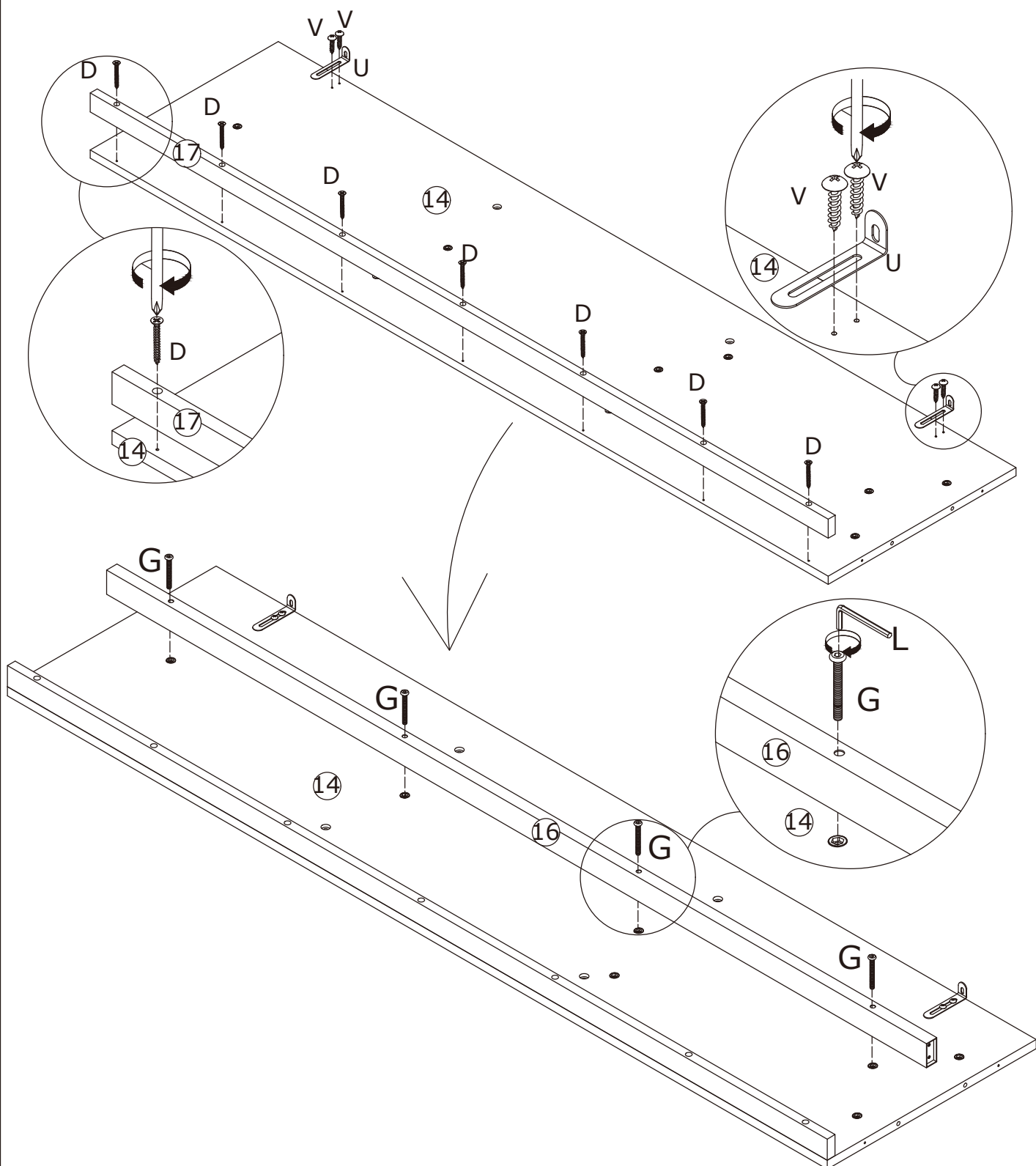
10

 D x 7 Ø4 x 40mm	 G x 4 Ø6 x 50mm	 L x 1 M4mm	
---	---	--	---

Fix part(U) to plate 14 with screw(V) as shown.

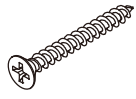
Attach plate 17 to plate 14 with screw(D) as shown.

Fix steel tube 16 to plate 14 with screw(G) as shown.

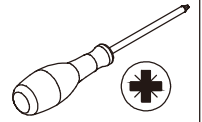


11

D x 4



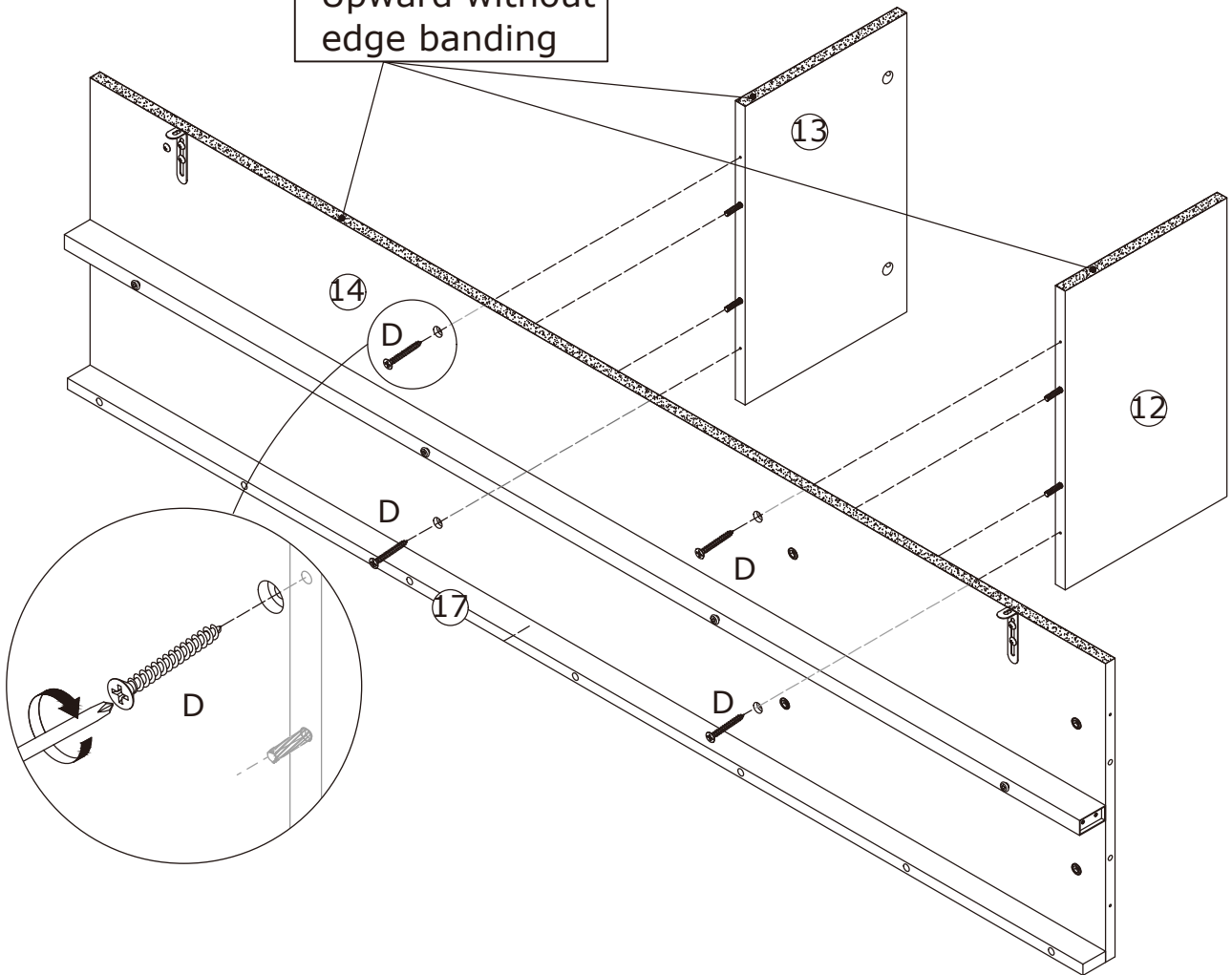
Ø4 x 40mm



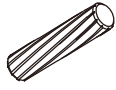


Please connect plate 14 with plate 12 and 13 with screw(D) as shown.



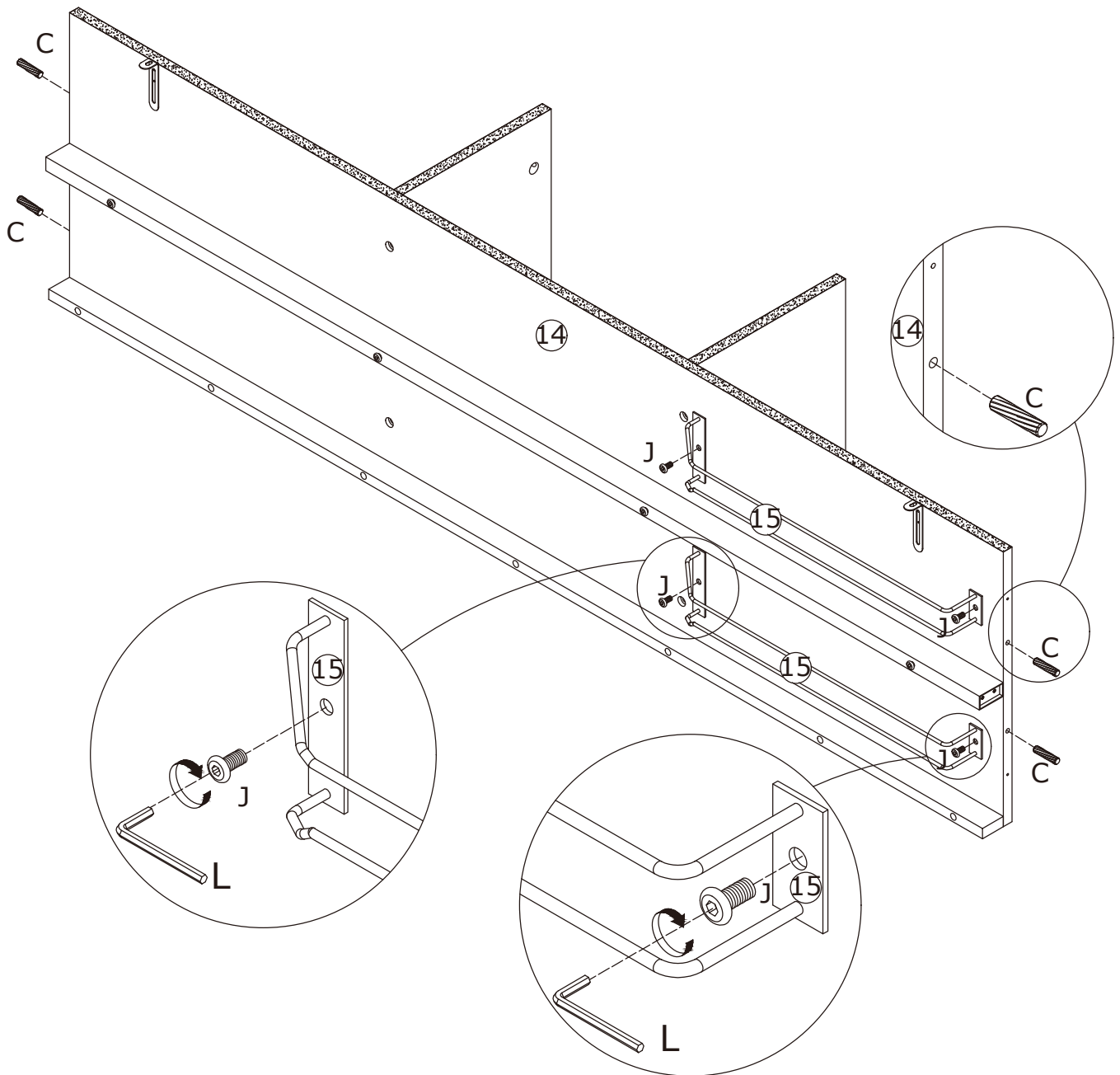
Upward without edge banding





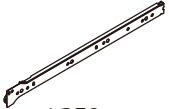
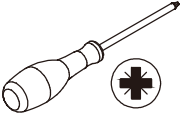
12

<p>C x 4</p>  <p>Ø6 x 30mm</p>	<p>J x 4</p>  <p>Ø6 x 12mm</p>	<p>L x 1</p>  <p>M4mm</p>	
---	---	--	--

Fix the 15 winecup holder 15 to plate 14 with screw(J) as shown.
Insert the wooden tenon(C) into plate 14 as shown.

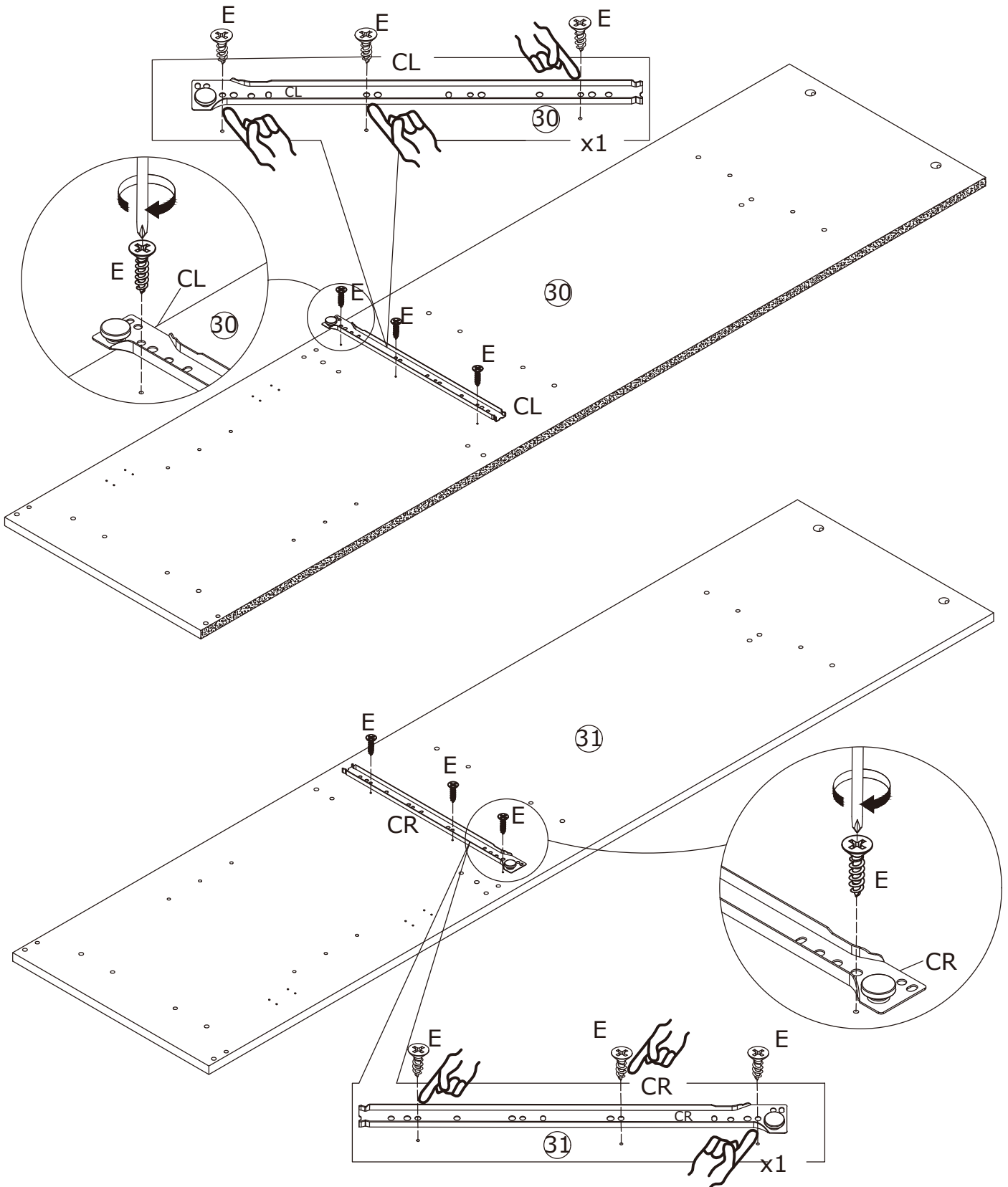


13




Ex6  Ø3.5x12mm	CLx1  L350mm	CRx1  L350mm	
---	---	---	---

Fix slide rail(CL) to the corresponding positions of plate 30 with screw(E) as shown.

Fix slide rail(CR) to the corresponding positions of plate 31 with screw(E) as shown.

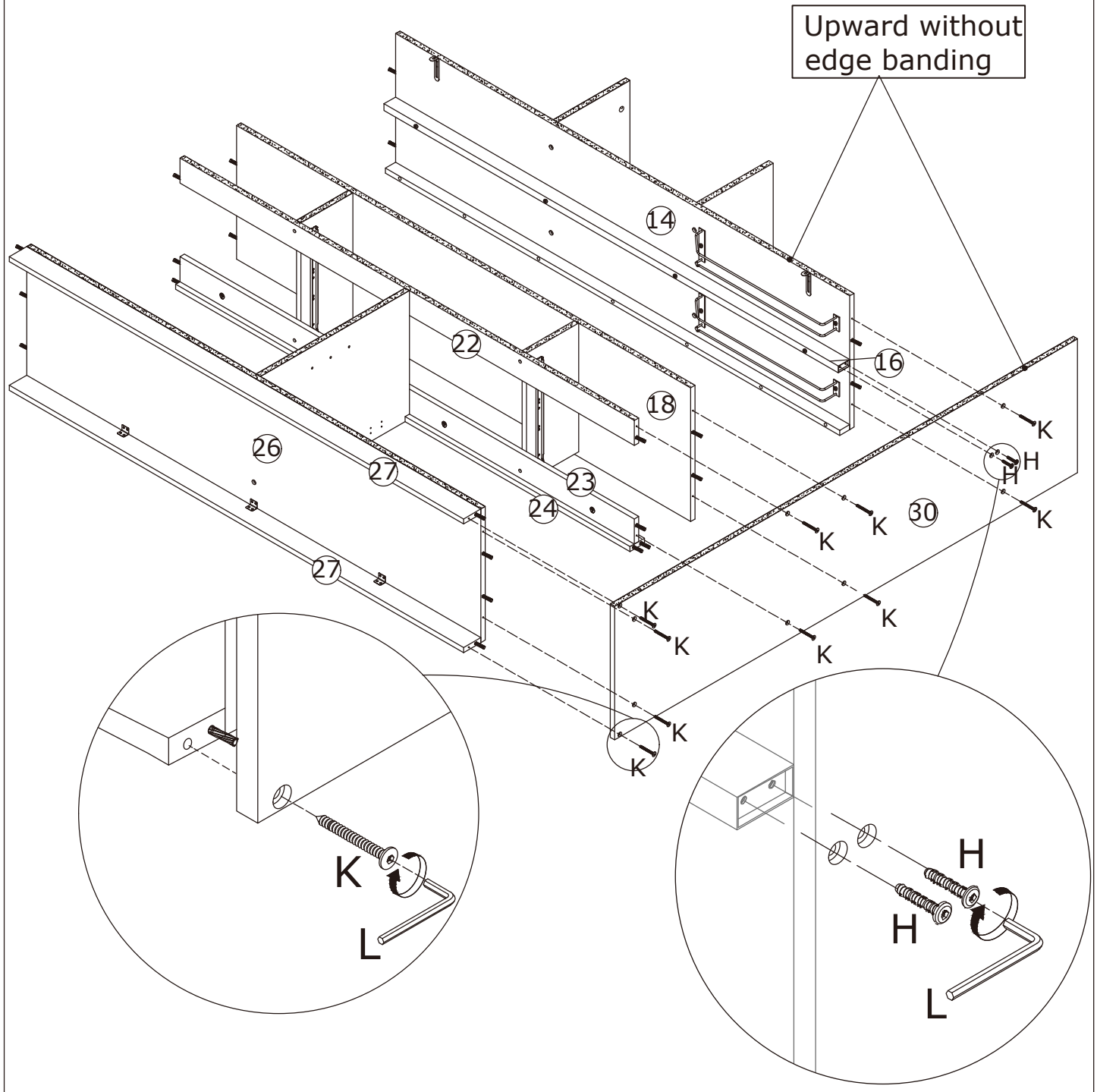


14




H x 2  Ø6 x 30mm	K x 10  Ø5 x 40mm	L x 1  M4mm	
---	--	--	--

Attach plate 30 to plate 14, 18, 22, 23, 24, 26, and 27 with screw(K) as shown.

Fix plate 30 with plate 16 using screw(H) as shown.

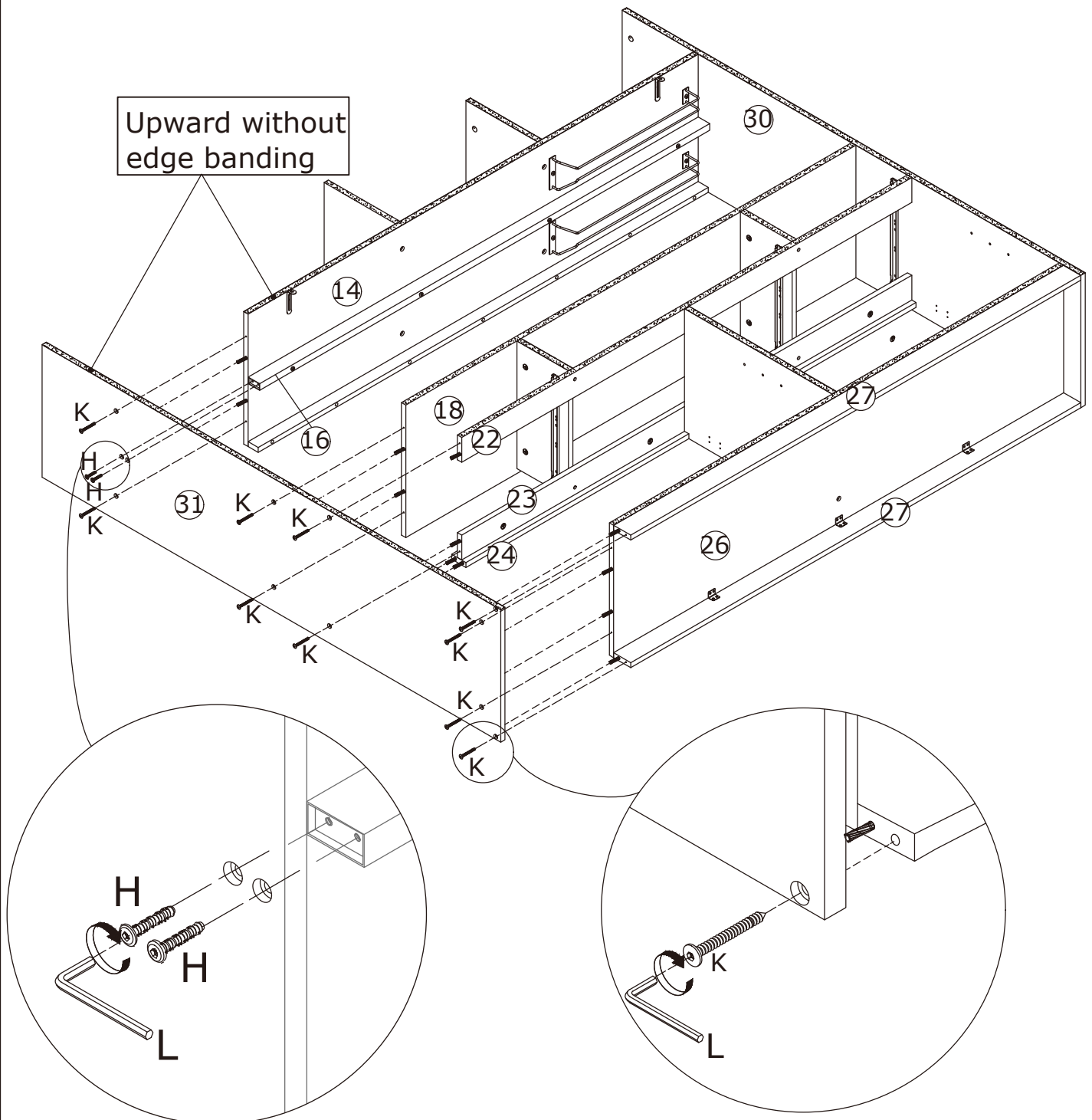


15

H x 2  Ø6 x 30mm	K x 10  Ø5 x 40mm	L x 1  M4mm	
---	--	--	--

Connect plate 31 with plate 14, 18, 22, 23, 24, 26, and 27 with screw(K) as shown.

Fix plate 31 with plate 16 using screw(H) as shown.



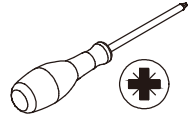
16

S x 49



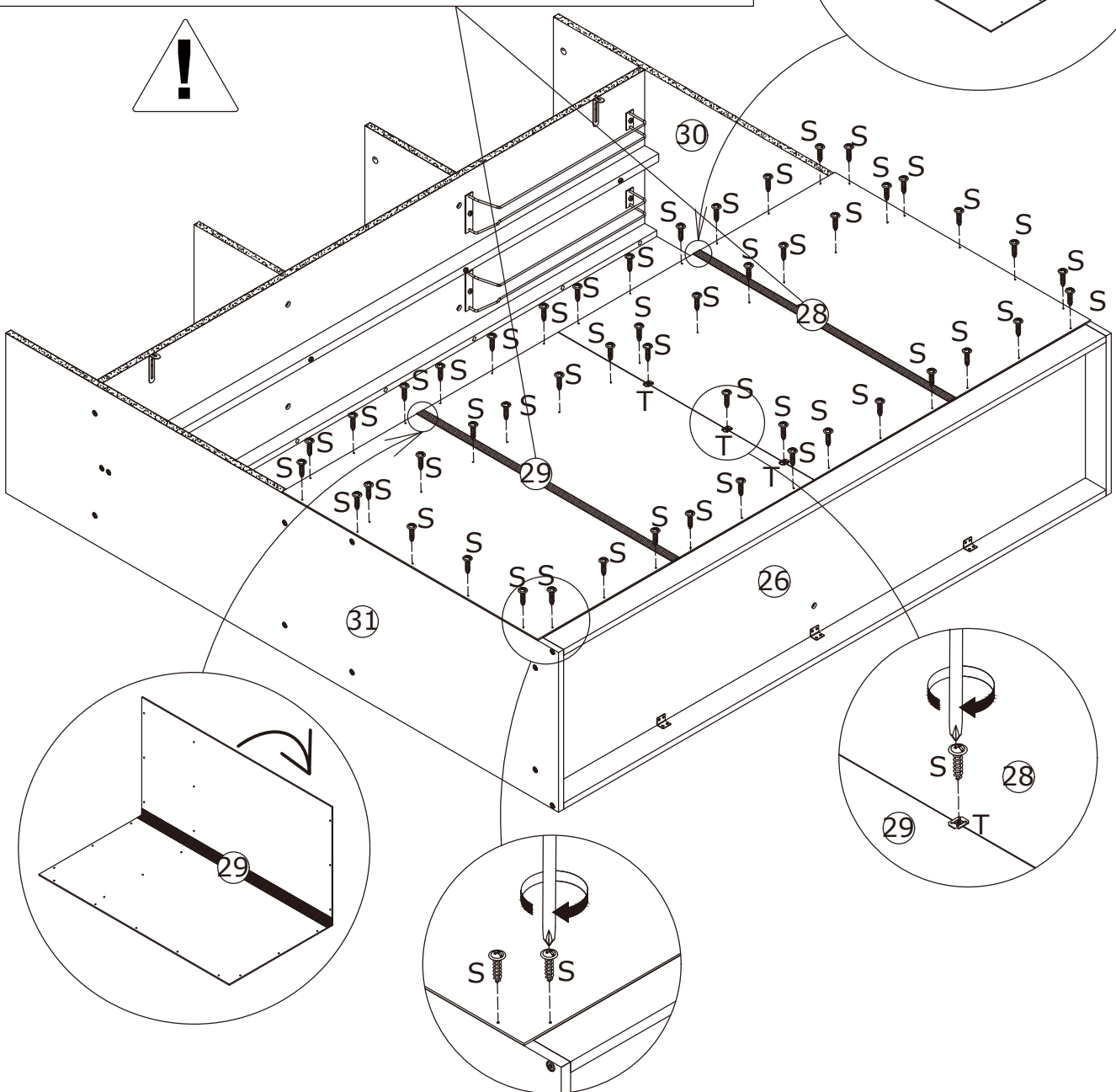
Ø2.5 x 14mm

T x 3



Fix back plate 28 and 29 with screw(S) as shown.
And use sheet(T) to fix plate 28 and 29 together with screw(S) as shown.

Note: the color of plate 28 and 29 is white and face downward

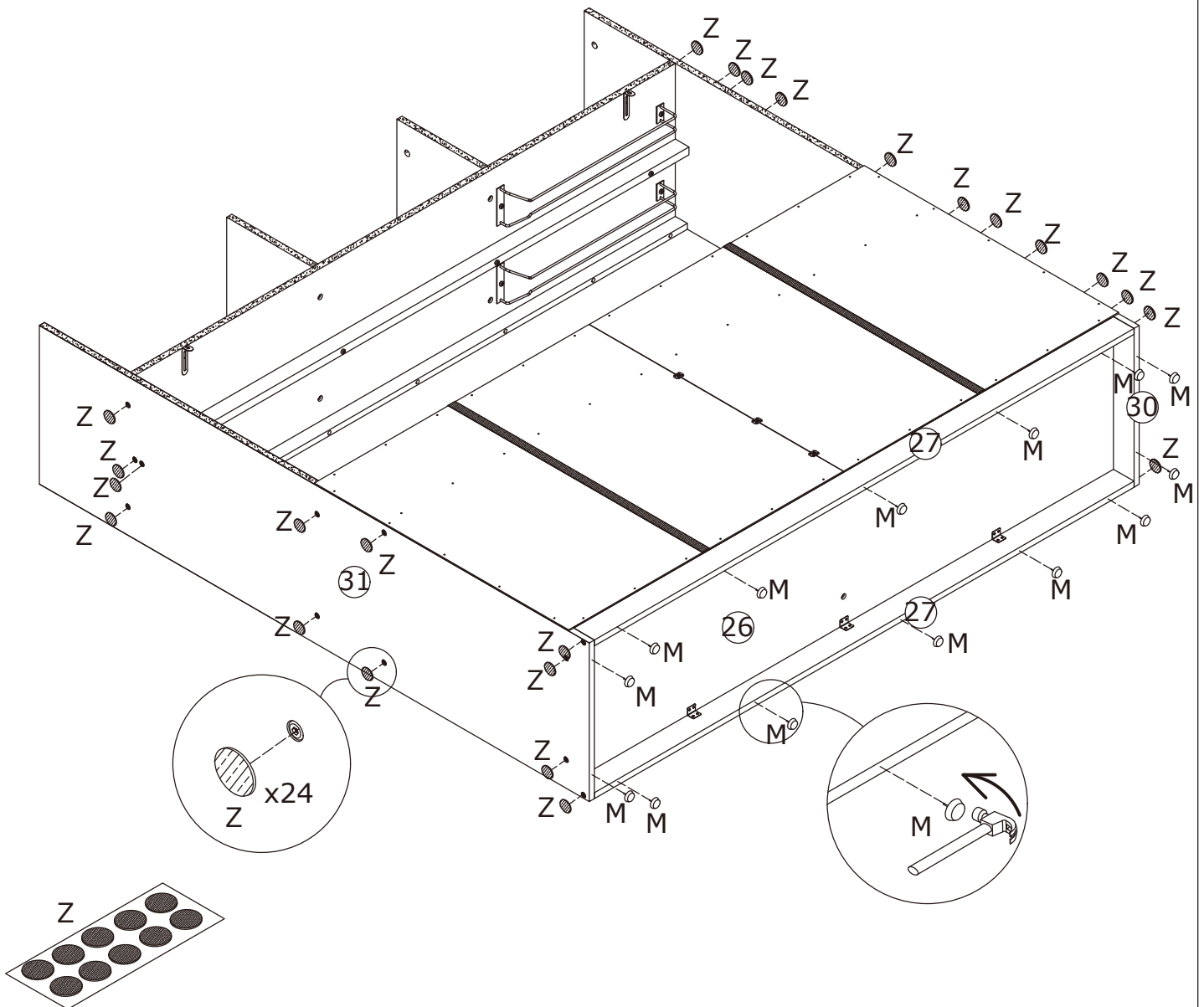


17

M x 14  Ø15 x 10mm	Z x 24  Ø20mm	
---	--	---

Knock foot peg(M) into plate 27, 30 and 31 as shown.

Use sticker(Z) to cover exposed screws in plate 27, 30 and 31.



18

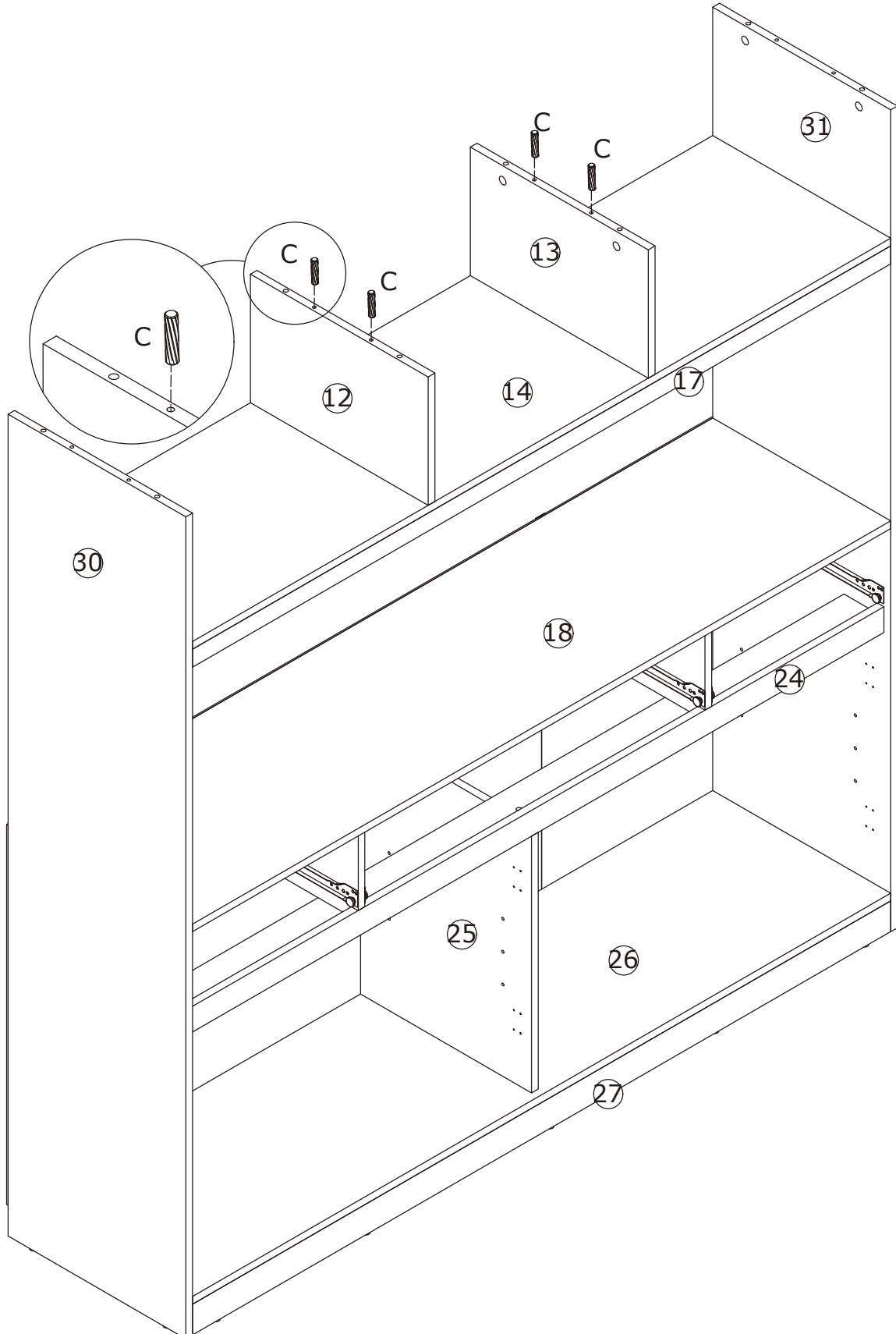
C x 4



Ø6 x 30mm

This step requires at least two people!

Please stand the cabinet up, and insert the wooden tenon(C) into the corresponding holes in plate 12 and 13 as shown.



19

C x 2

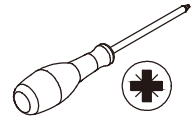


Ø6 x 30mm

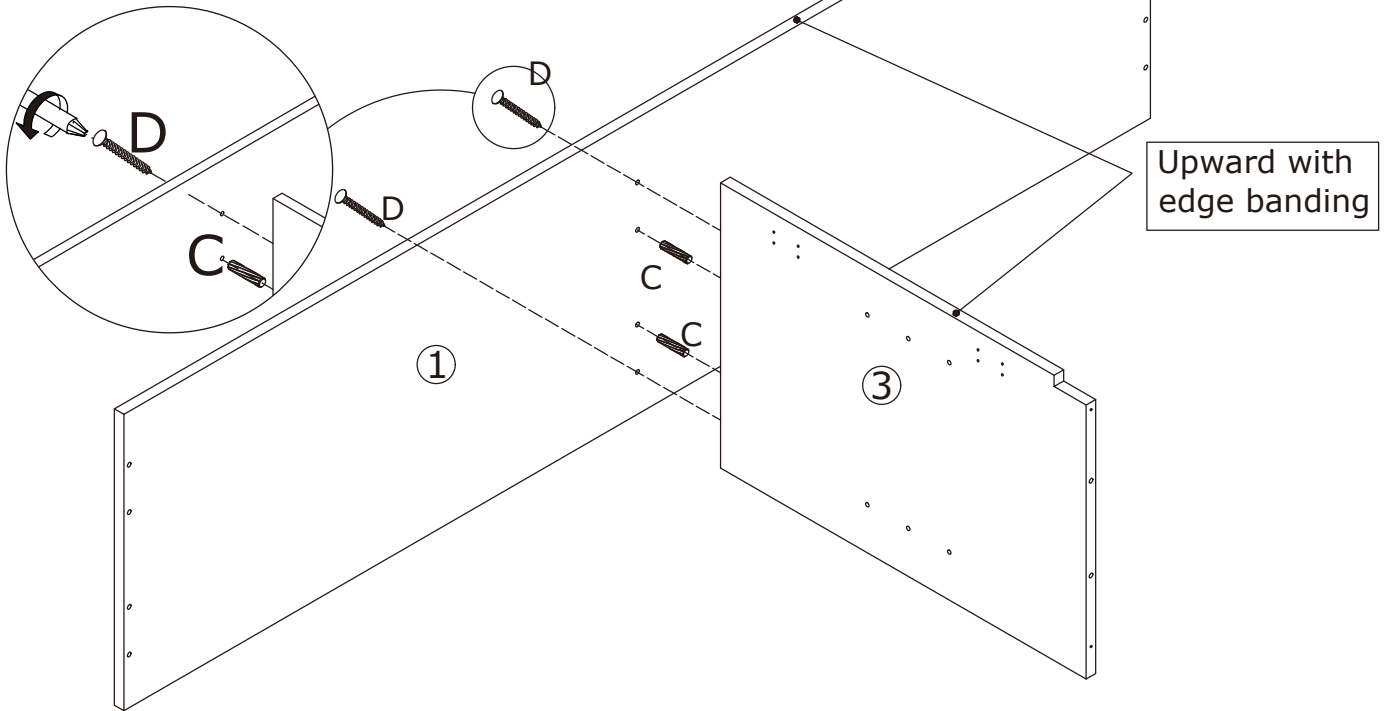
D x 2



Ø4 x 40mm

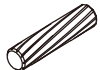


Connect plate 1 with plate 3 using wooden dowel(C) and fix with screw(D), as shown.



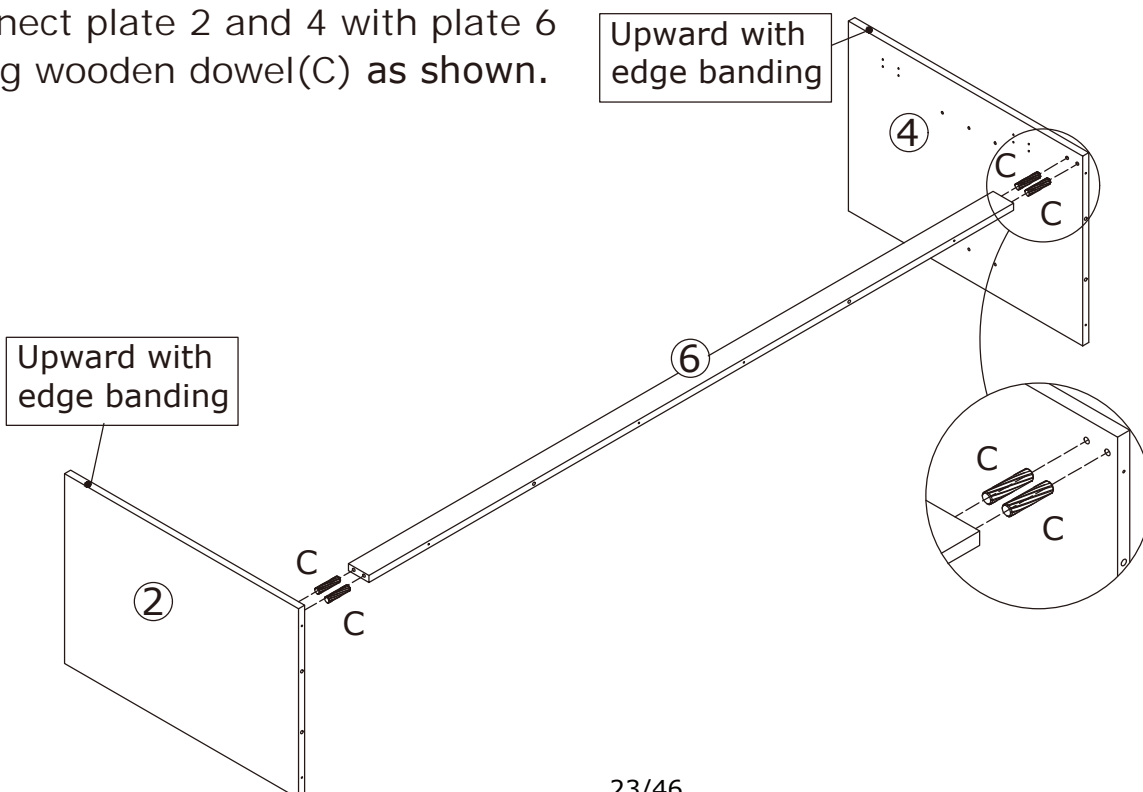
20

C x 4



Ø6 x 30mm

Connect plate 2 and 4 with plate 6 using wooden dowel(C) as shown.



21

C x 4

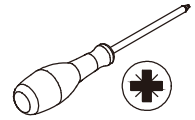


Ø6 x 30mm

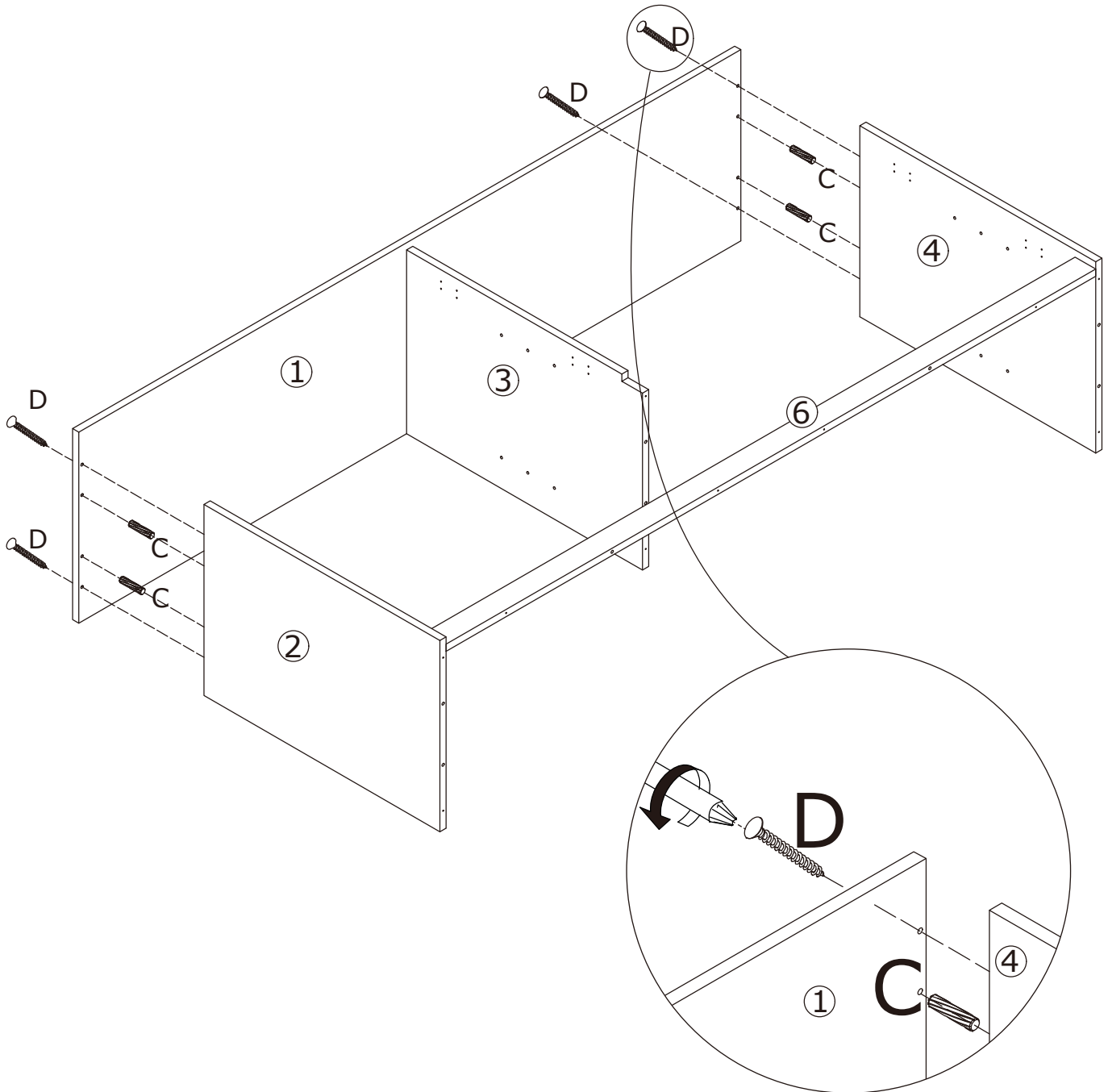
D x 4



Ø4 x 40mm



Connect the two components using wooden dowel(C) at first, then fix with screw(D) as shown.



22

C x 4



Ø6 x 30mm

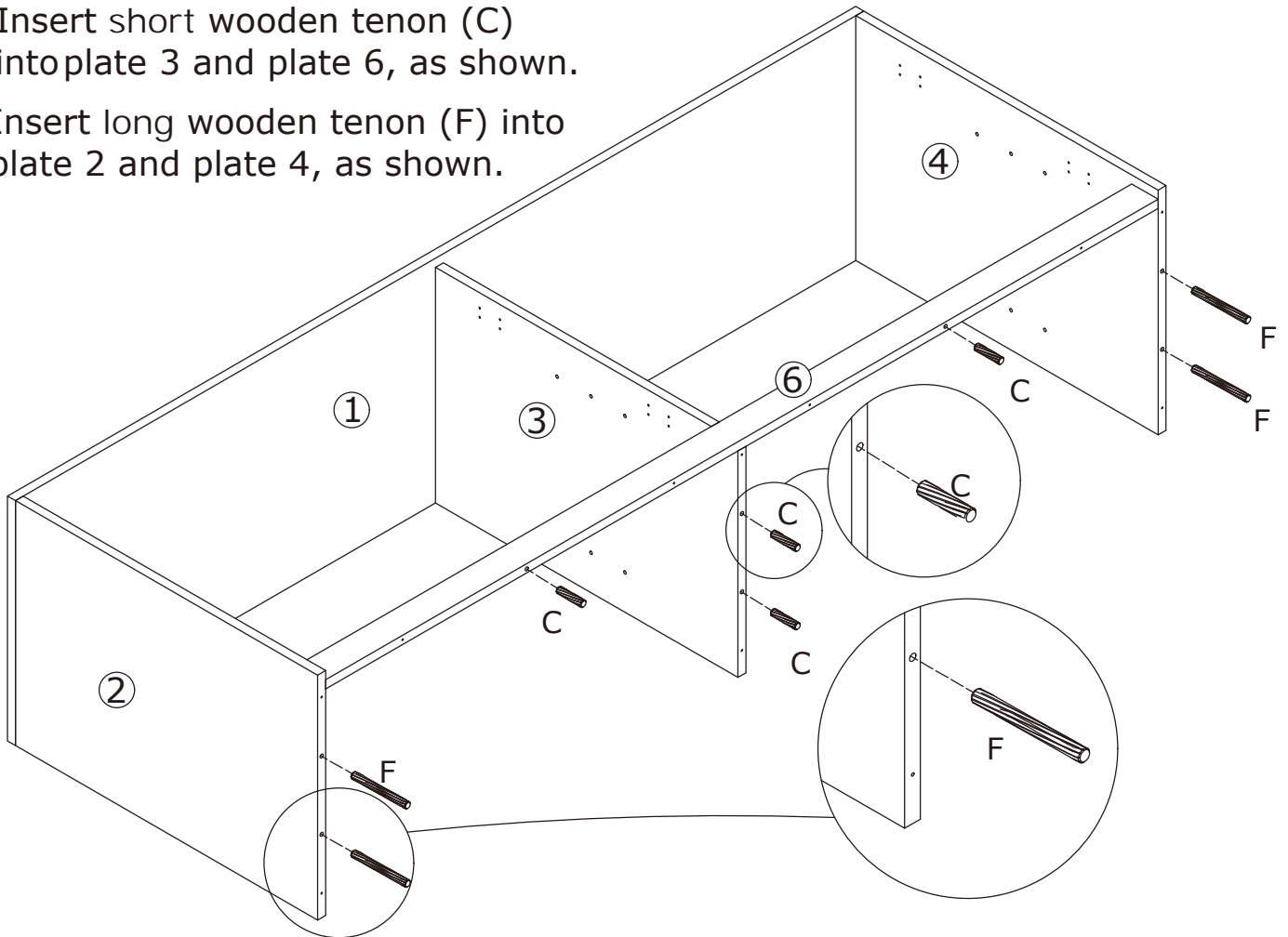
F x 4



Ø6 x 50mm

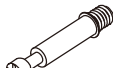
Insert short wooden tenon (C) into plate 3 and plate 6, as shown.

Insert long wooden tenon (F) into plate 2 and plate 4, as shown.

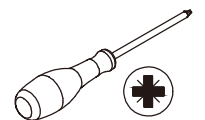


23

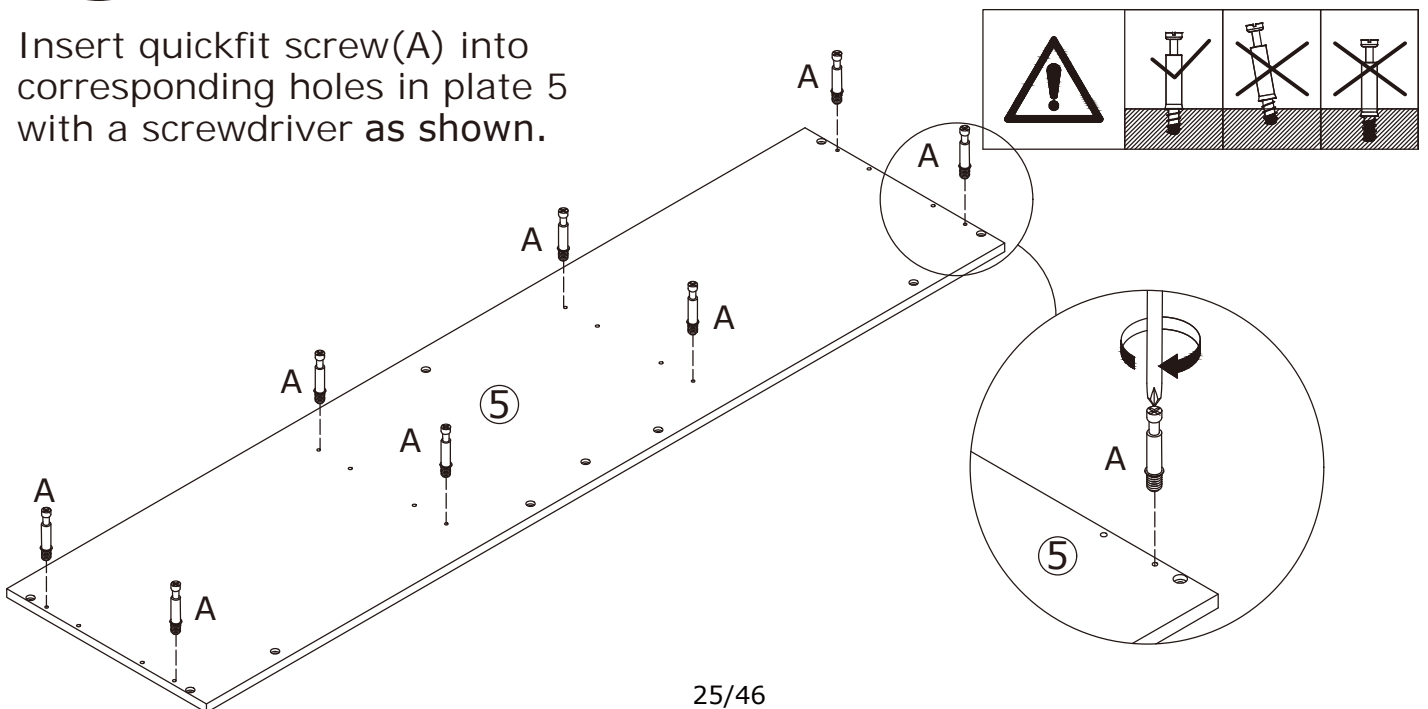
A x 8



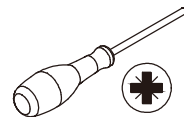
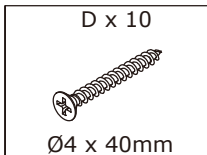
Ø6 x 35mm



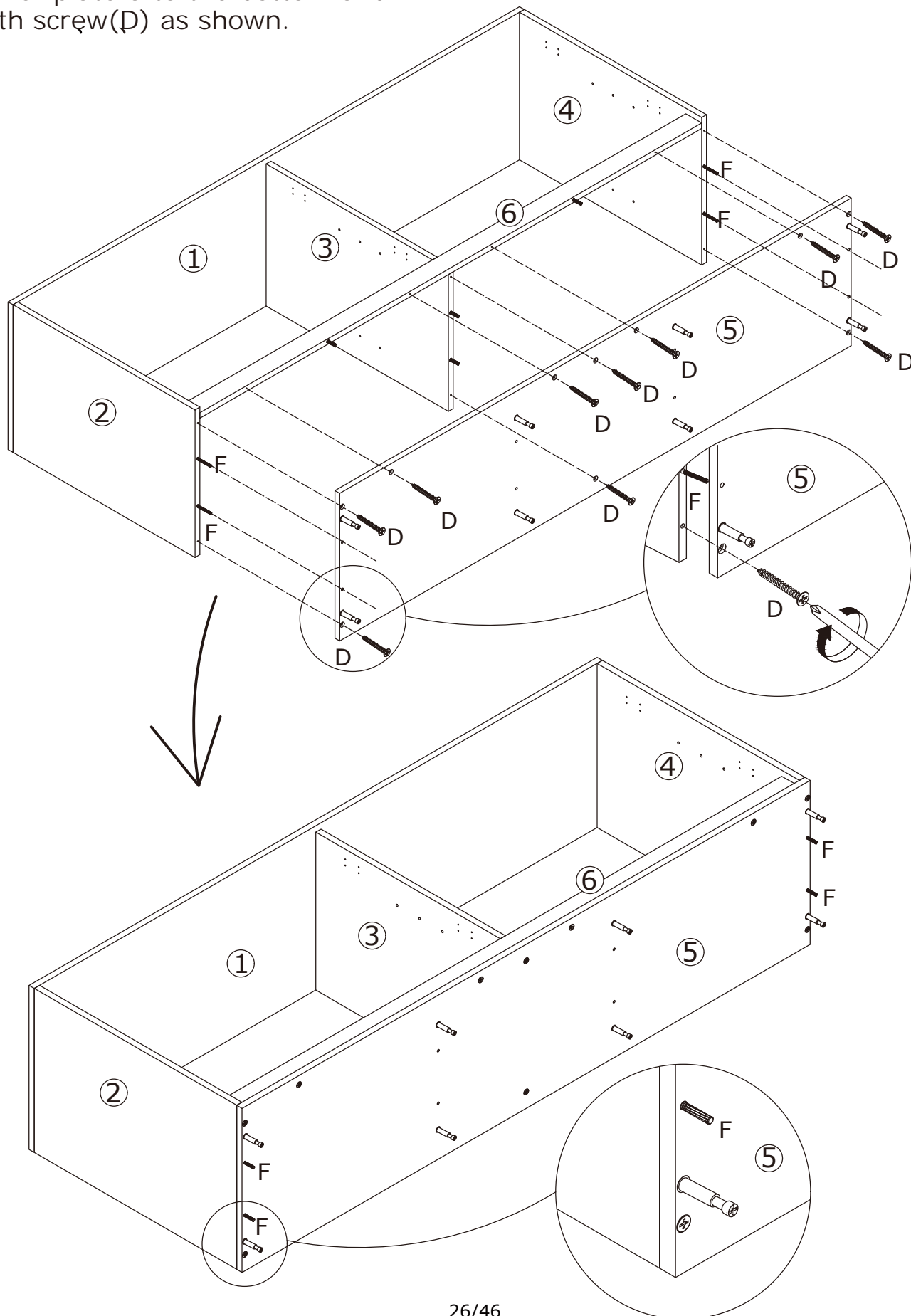
Insert quickfit screw (A) into corresponding holes in plate 5 with a screwdriver as shown.



24



Cover plate 5 to the bottom and fix with screw(D) as shown.

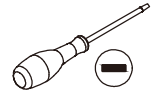


25

B x 8

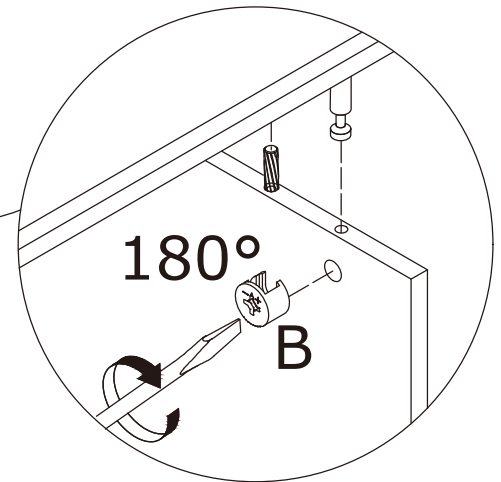
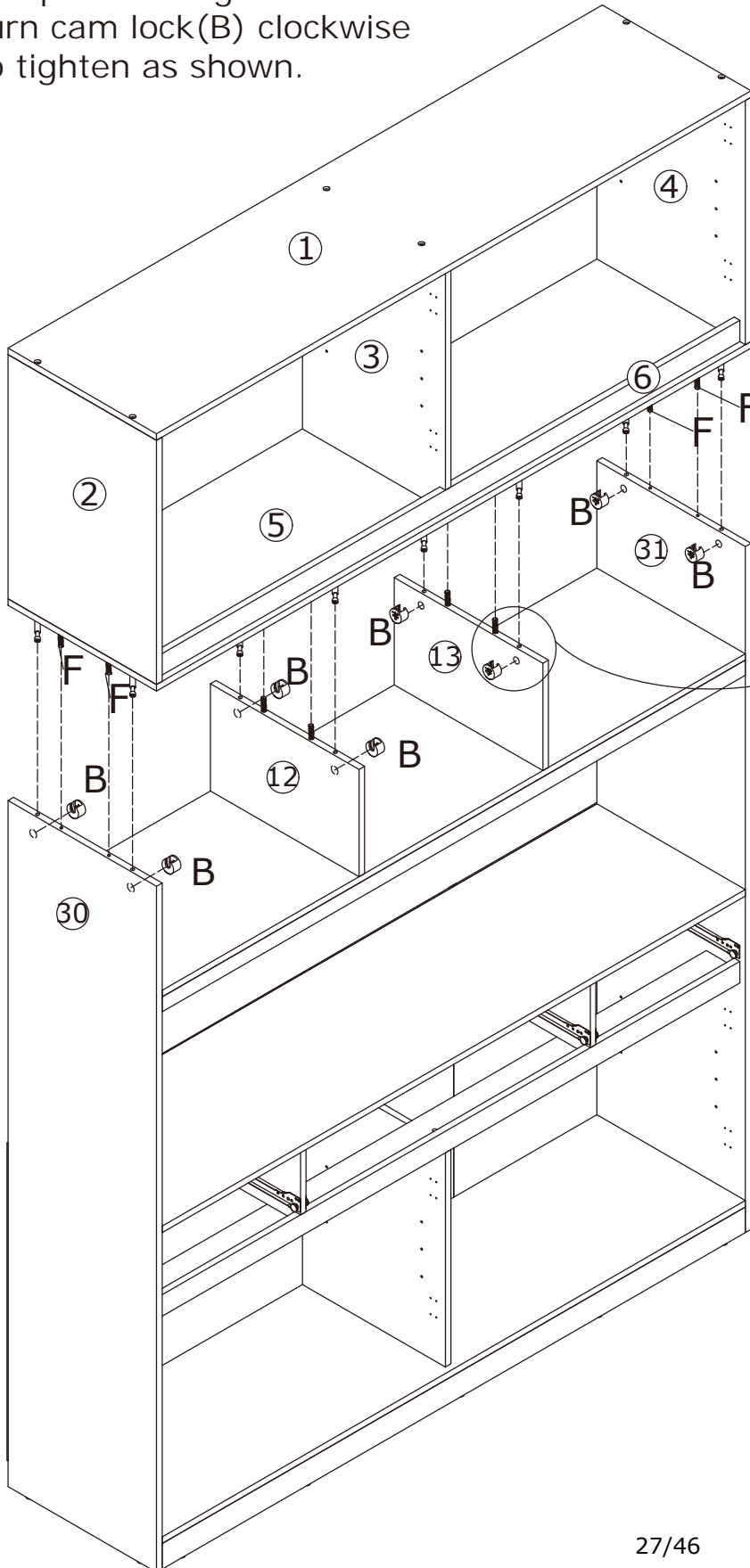
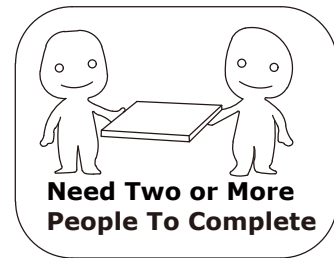
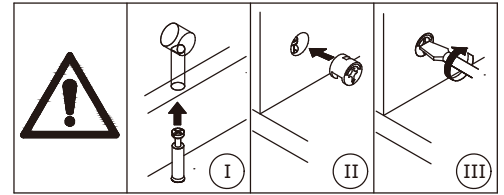


Ø15 x 10mm



It needs two or more people to complete!

Connect the two big components together and turn cam lock(B) clockwise to tighten as shown.



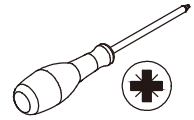
26

S x 51



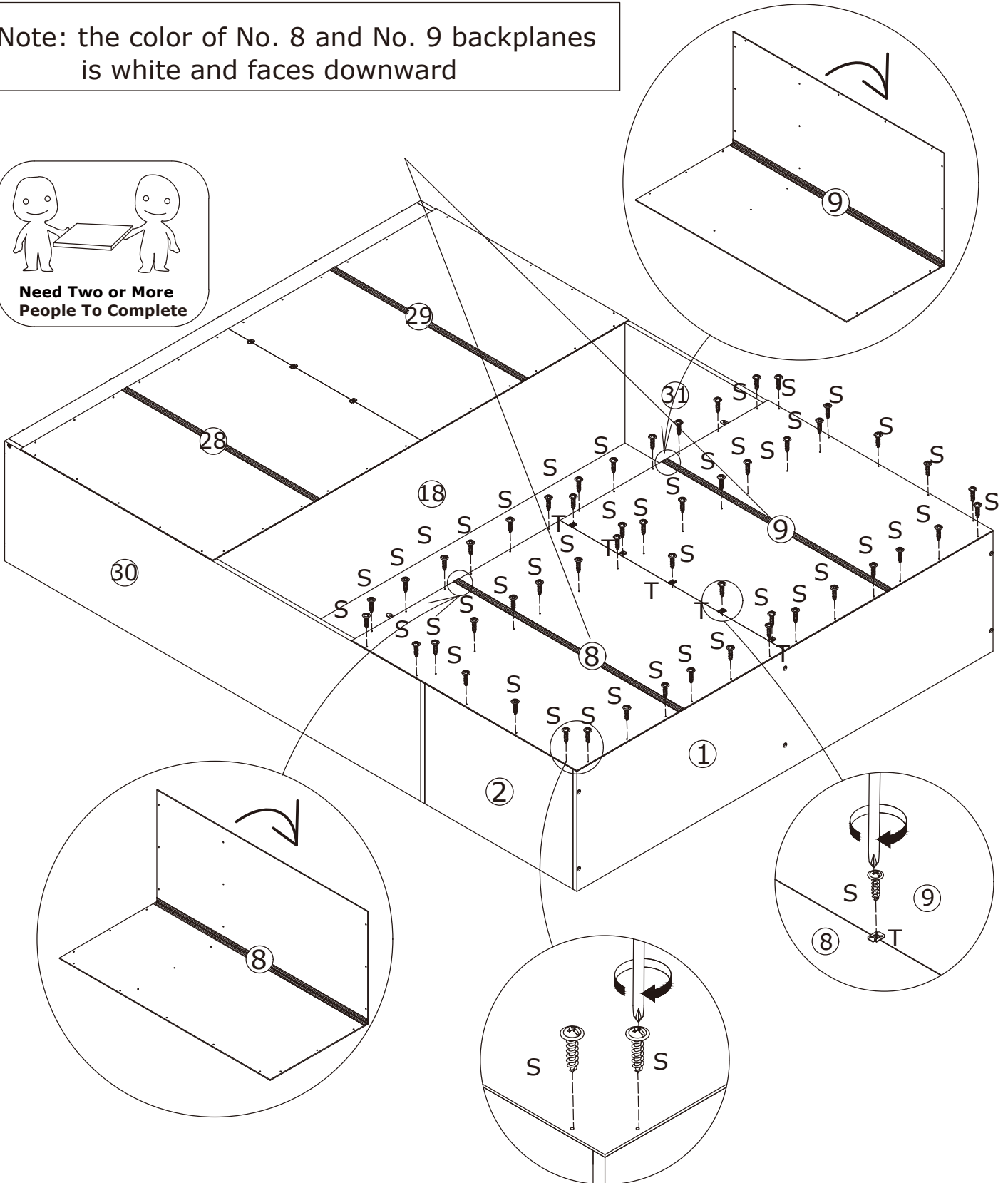
Ø2.5 x 14mm

T x 5



Fix back plate 8 and 9 with screw(S) as shown.
And use sheet(T) to fix plate 8 and 9 together with screw(S)
as shown.

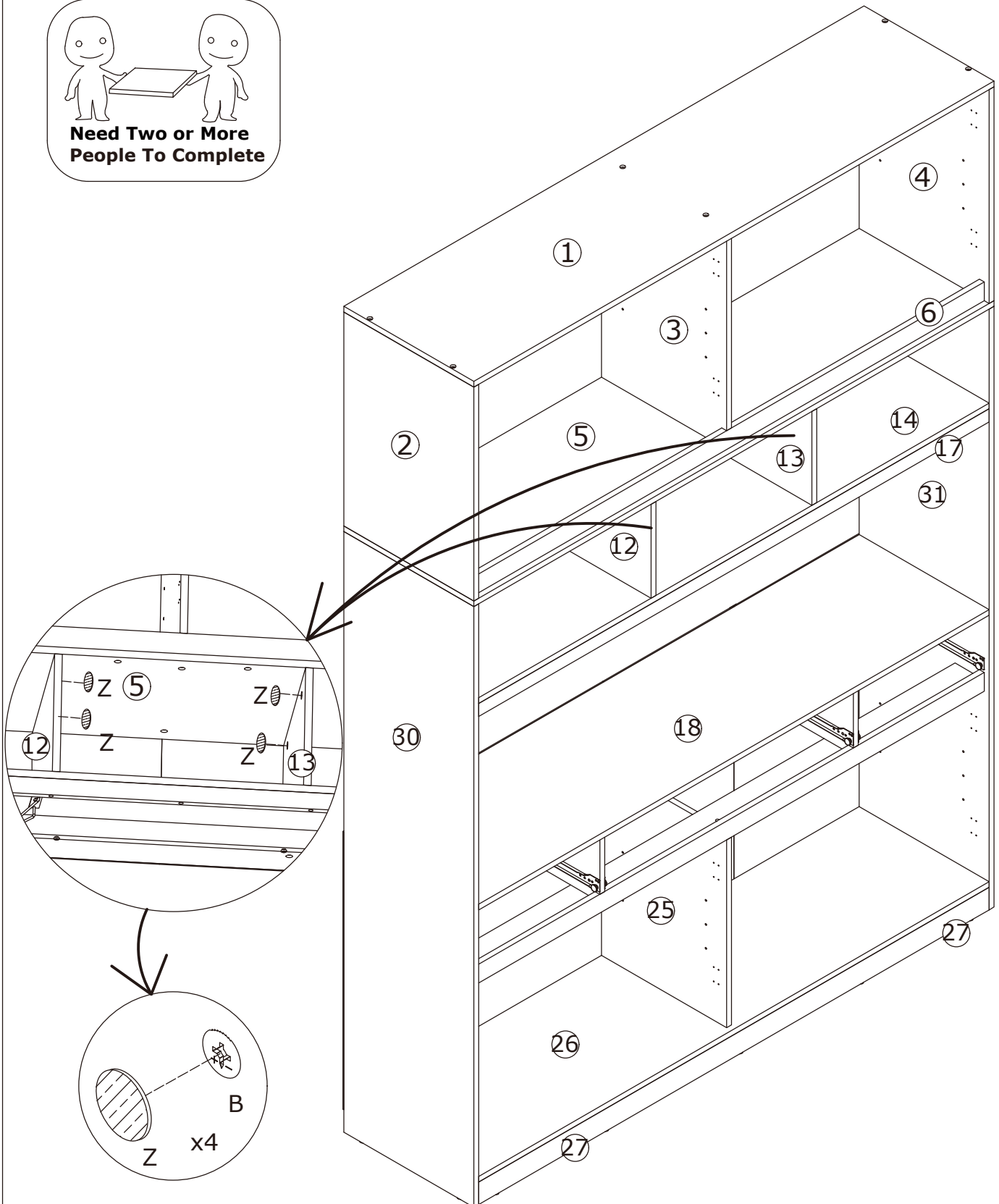
Note: the color of No. 8 and No. 9 backplanes
is white and faces downward



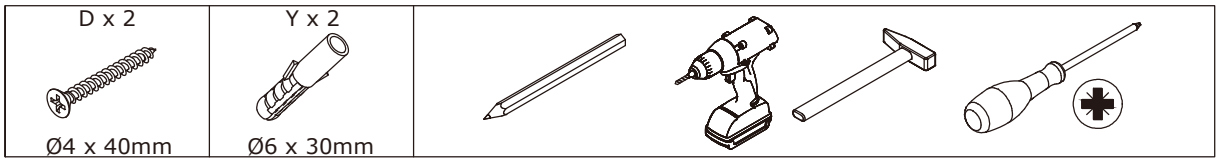
27



Two or more people are required to complete and erect the cabinet, as shown.

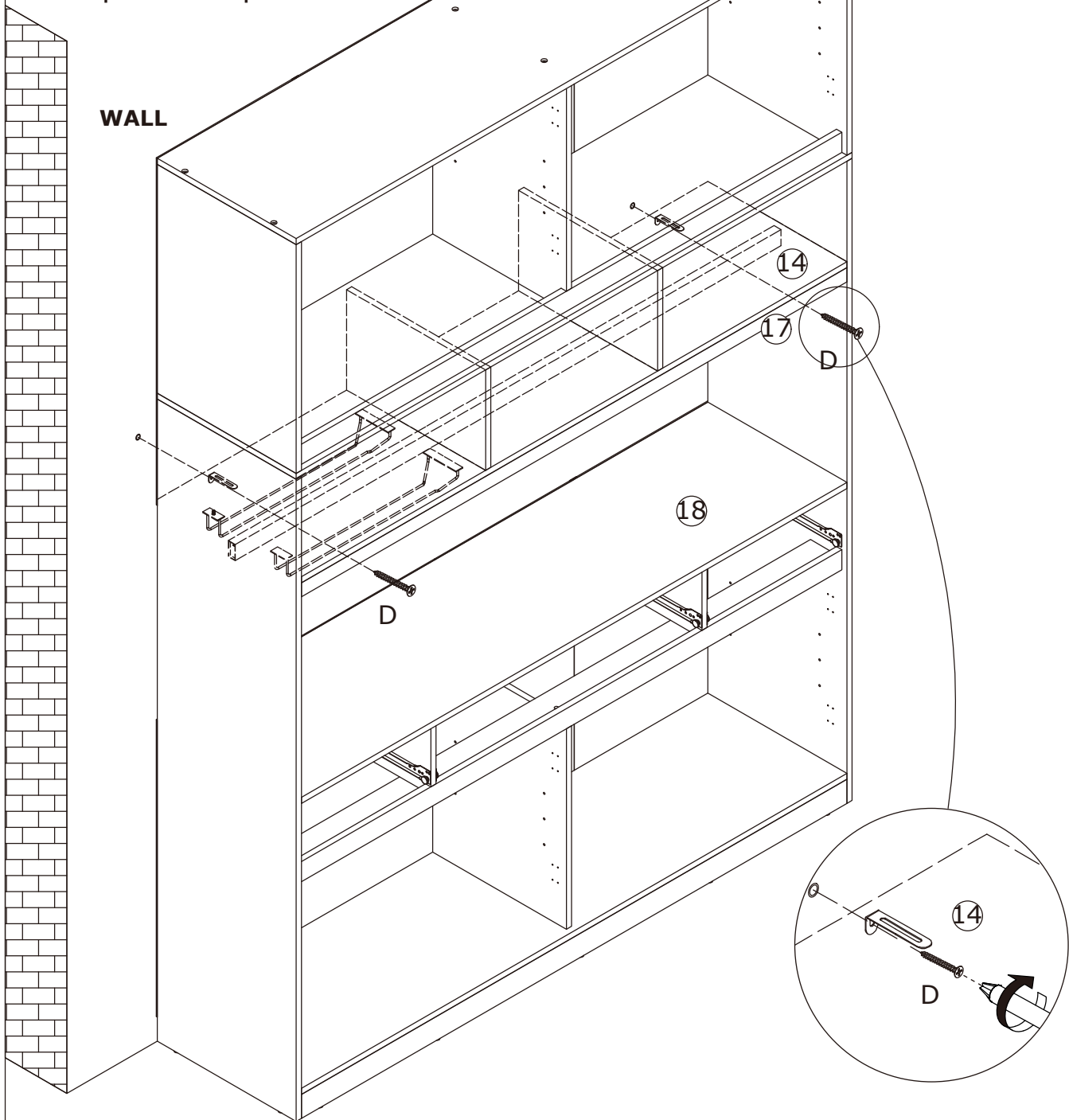
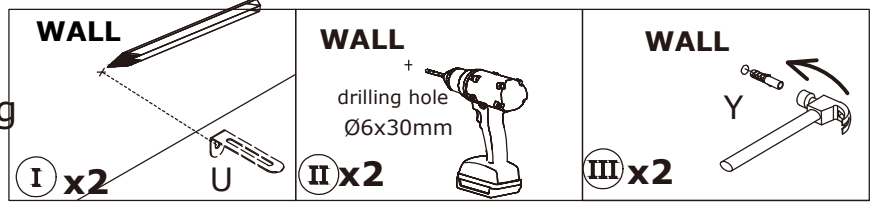


28



For extra stability, it is recommended that you fix your drawer to the wall using the additional hardwares (D, U, Y), as shown.

Should you choose not to affix the product to the wall, serious injury may be caused if the product tips over.

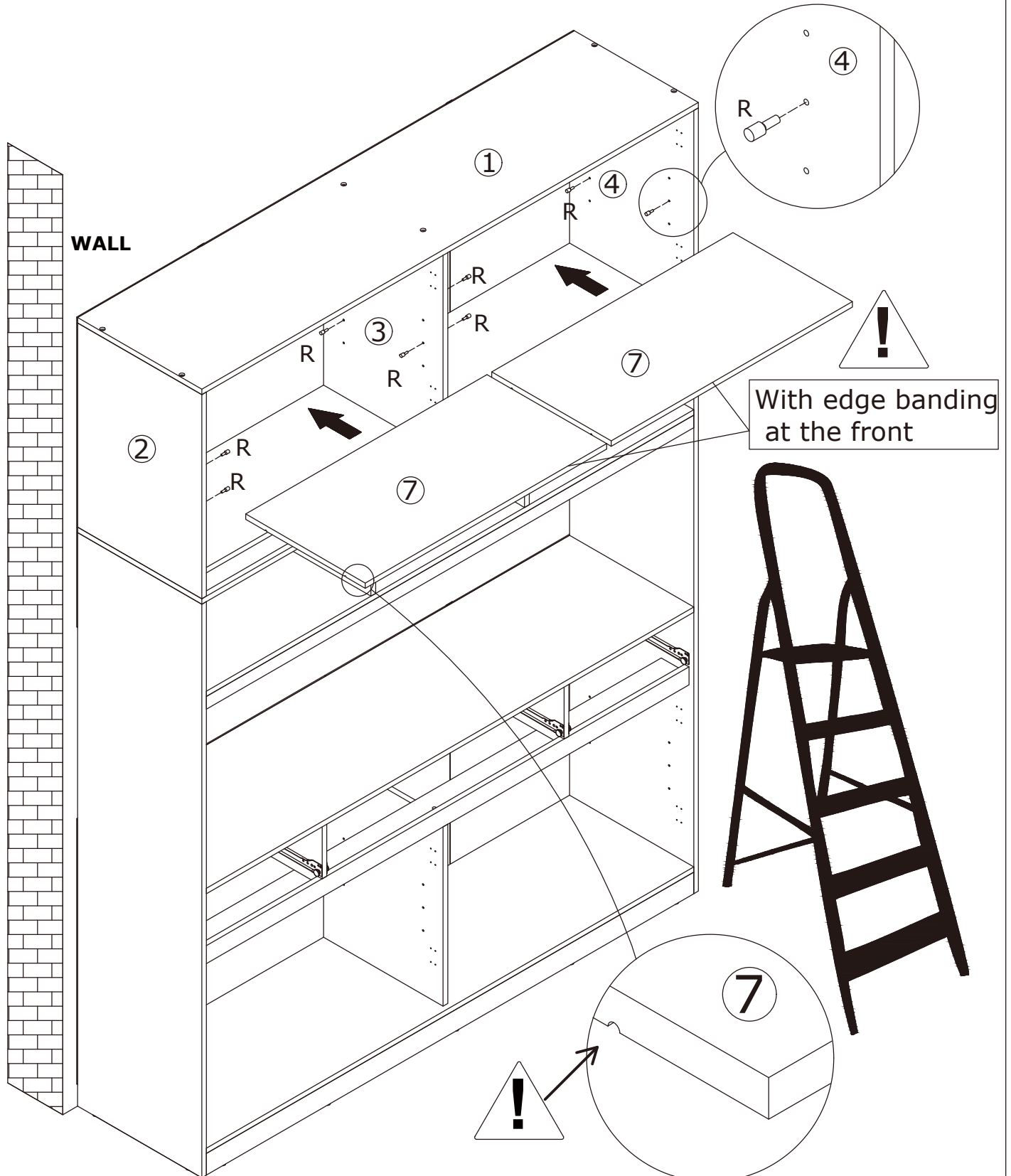


29

R x 8

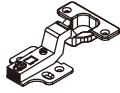


Insert part(R) into the opposite positions of plate 2, 3 and 4.
Place plate 7 in, as shown.

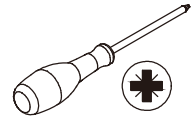


30

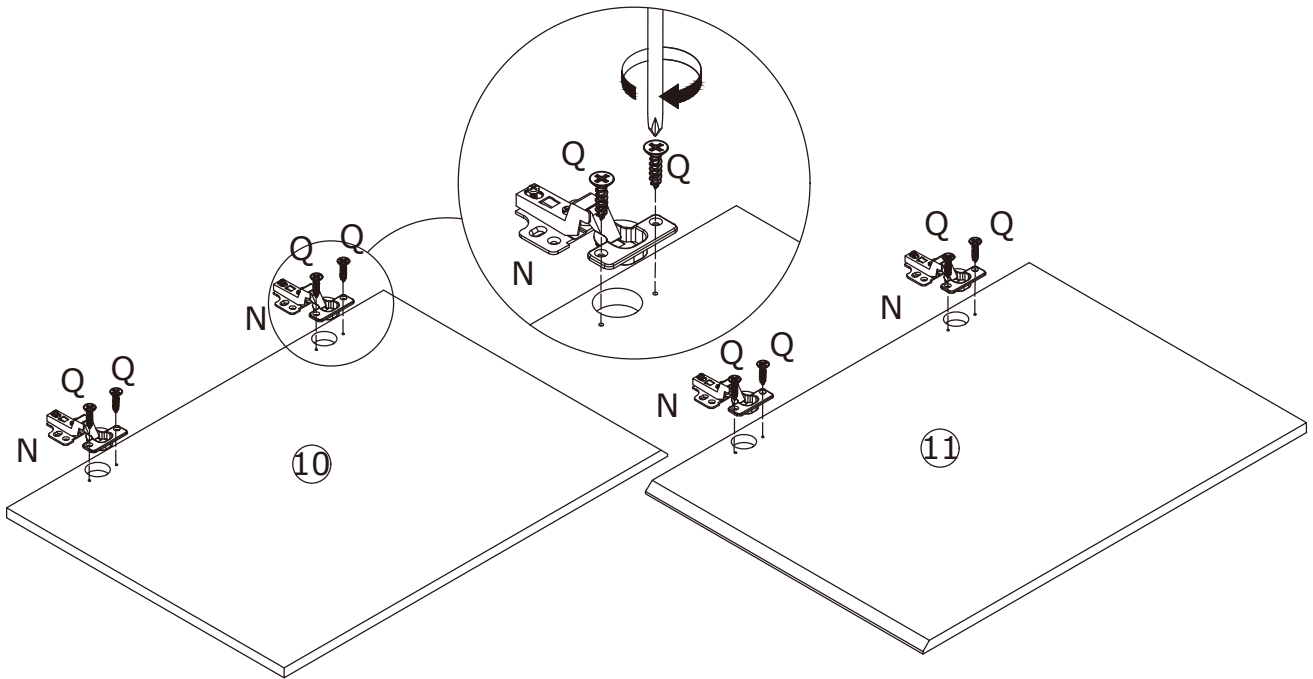
N x 4



Q x 8



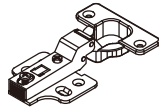
Fix hinge(N) to plate 10 and 11 with screw(Q), as shown.



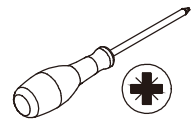
Please don't use an electric drill or use force to rotate, may cause crack.

31

P x 4

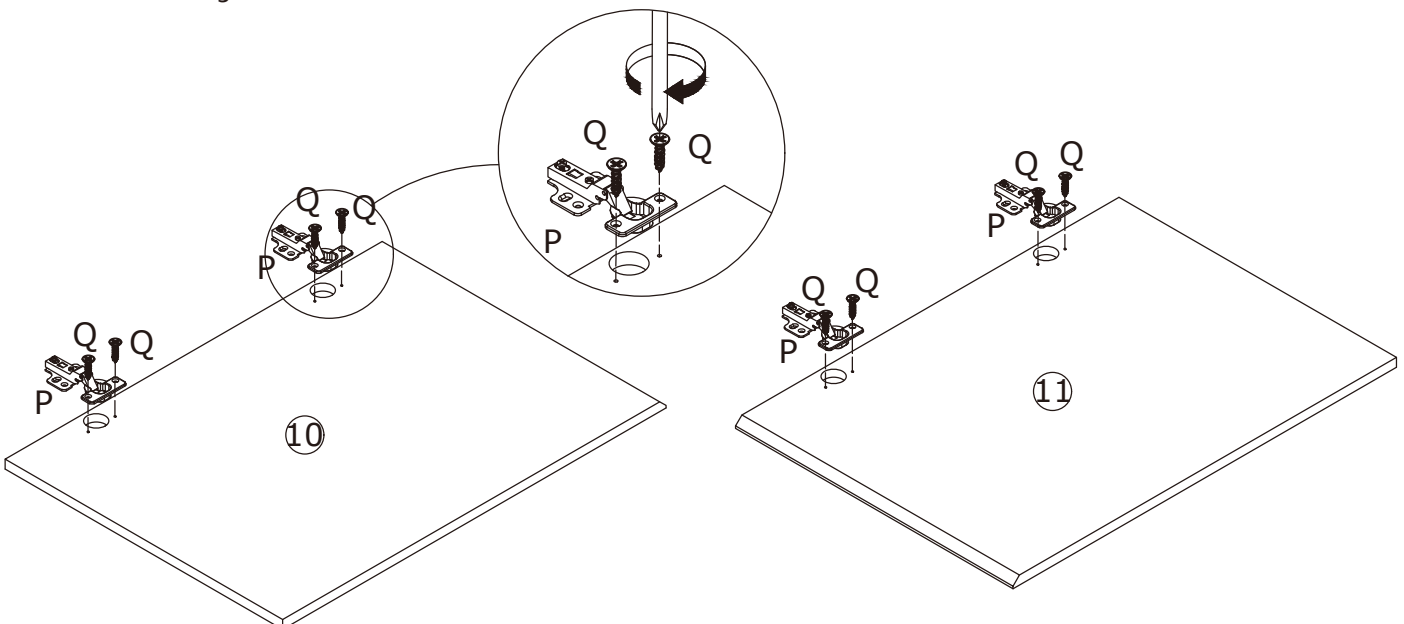


Q x 8



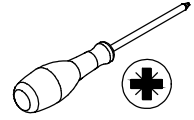
Fix hinge(P) to another plate 10 and 11 with screw(Q), as shown.

Please don't use an electric drill or use force to rotate, may cause crack.



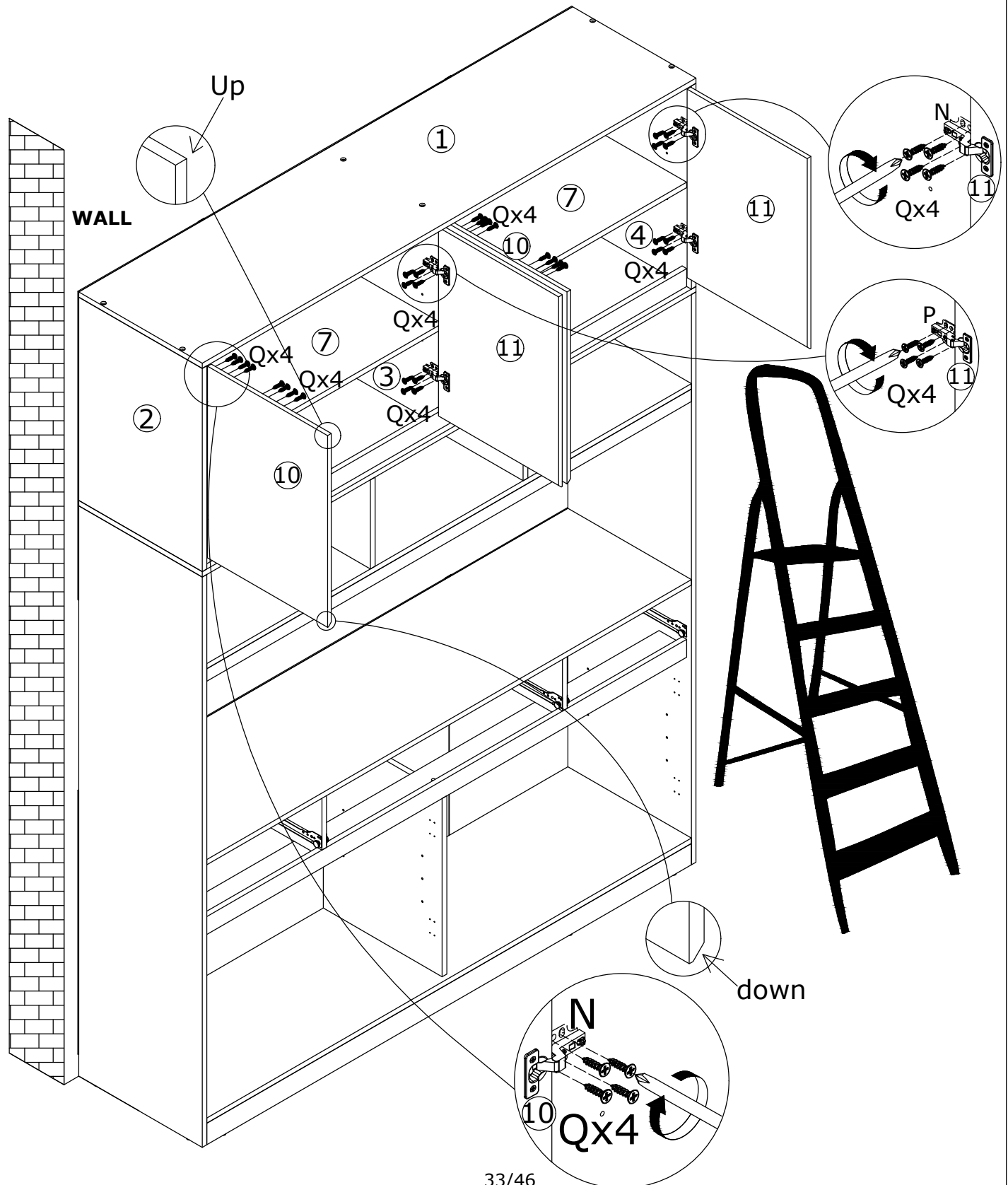
32

Q x 32



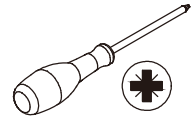
Attach plate 10 to plate 2; plate 11 to plate 4 by fixing hinge(N) with screw(Q) as shown.

Attach another plate 10 and 11 to plate 3 by fixing hinge(P) with screw(Q) as shown.



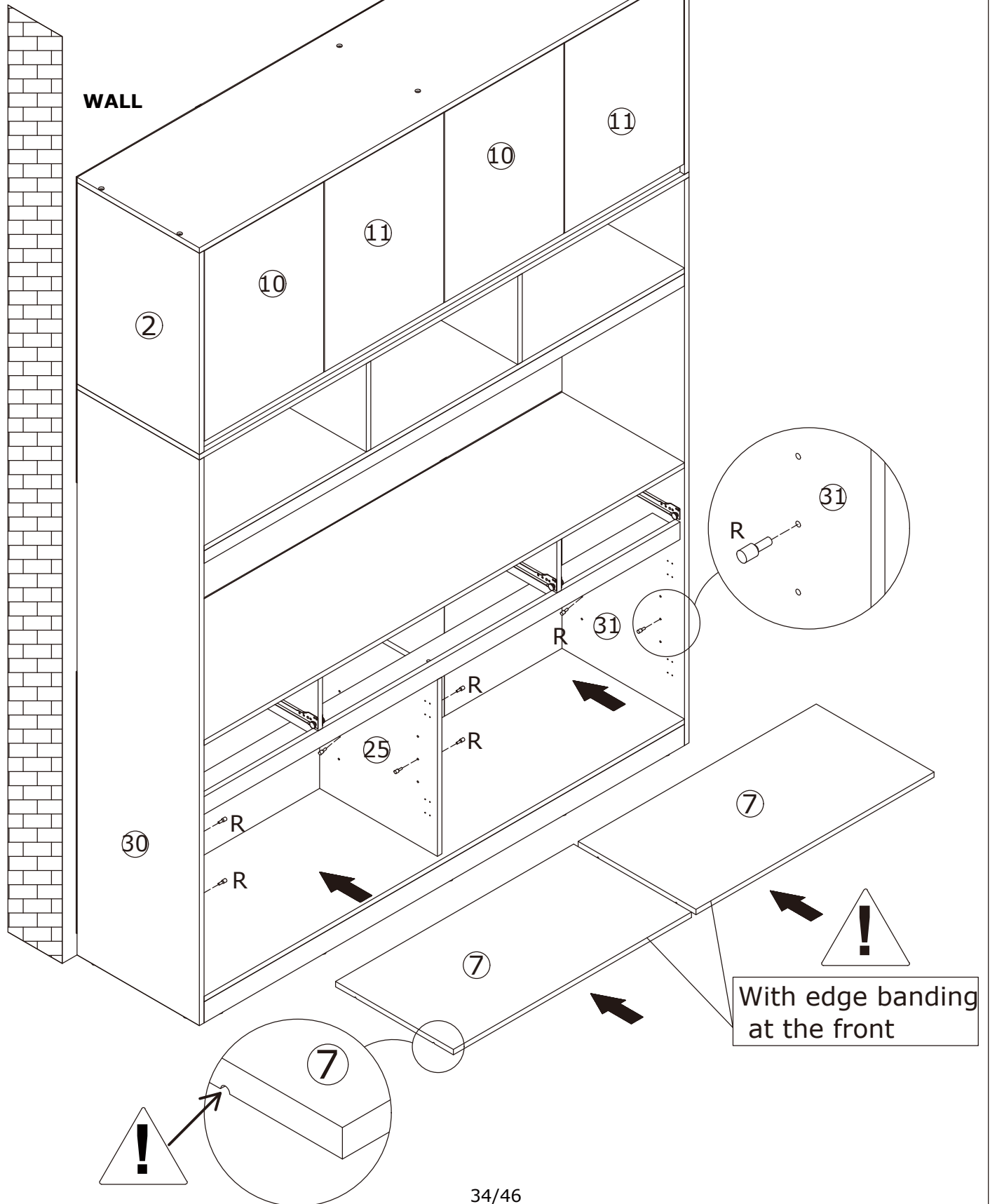
33

R x 8



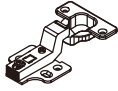
Insert part(R) into the opposite positions of plate 25, 30 and 31.

Place plate 7 in.

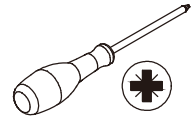


34

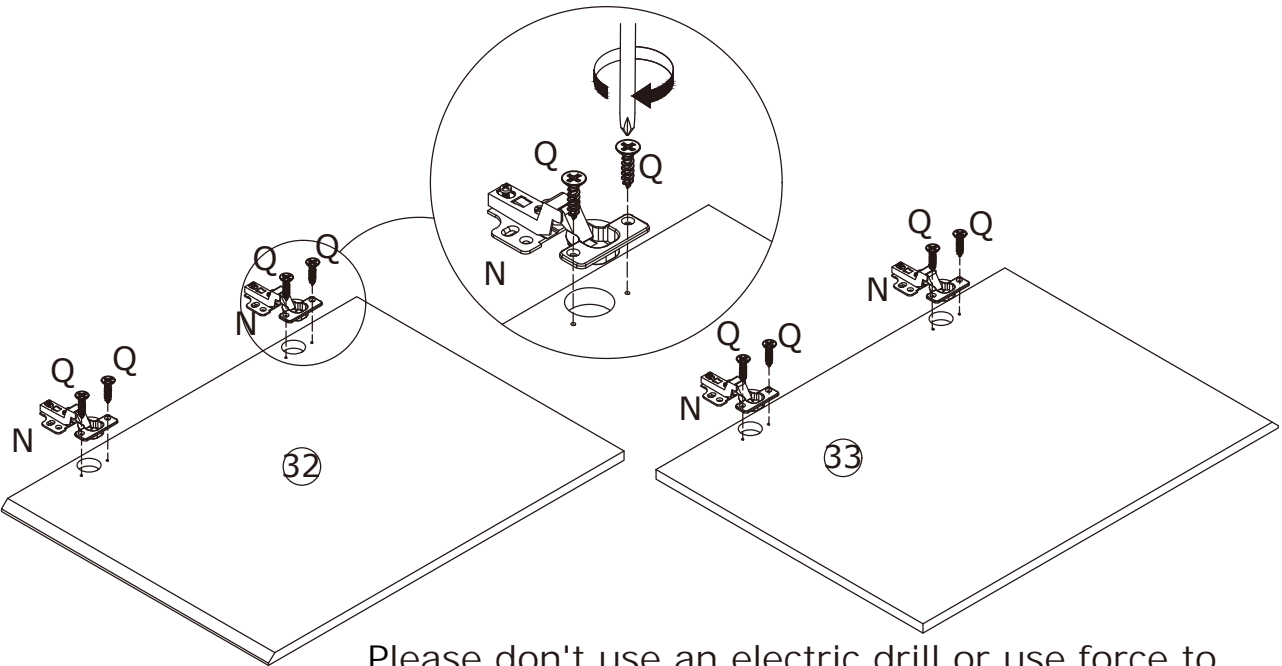
N x 4



Q x 8



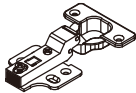
Fix hinge(N) to plate 32 and 33 with screw(Q), as shown.



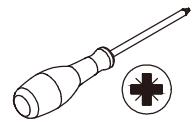
Please don't use an electric drill or use force to rotate, may cause crack.

35

P x 4

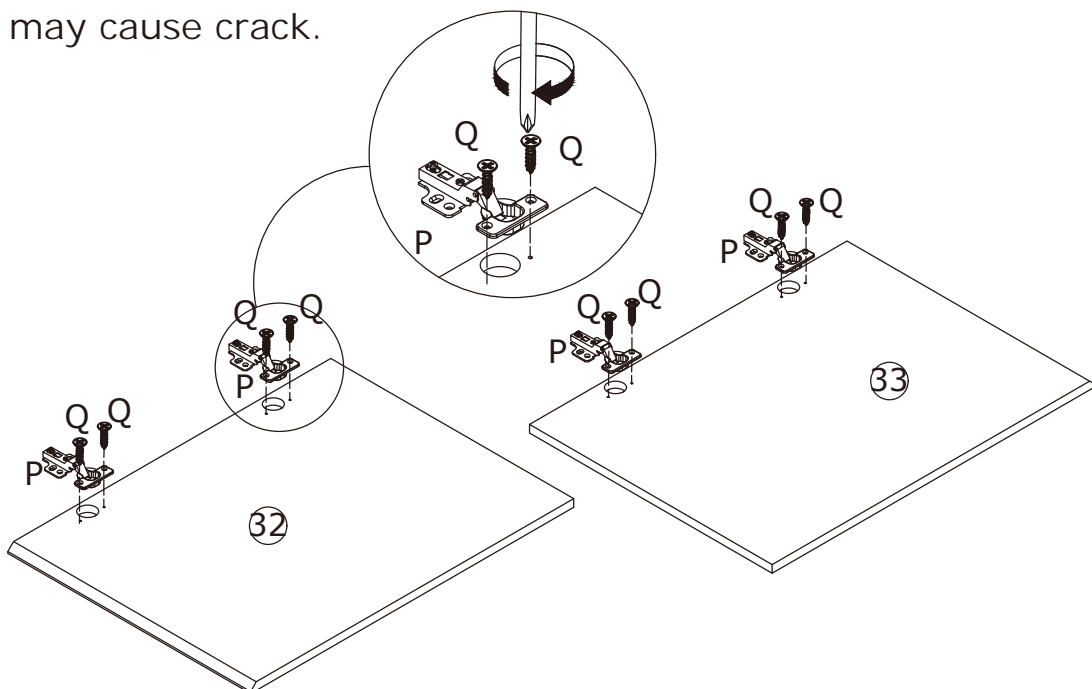


Q x 8



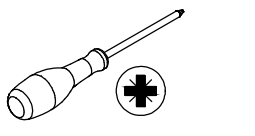

Fix hinge(P) to another plate 32 and 33 with screw(Q), as shown.

Please don't use an electric drill or use force to rotate, may cause crack.



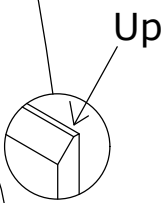
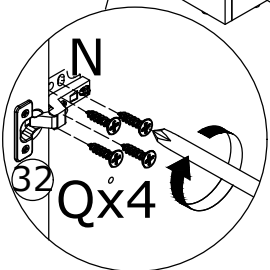
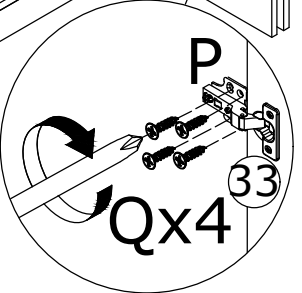
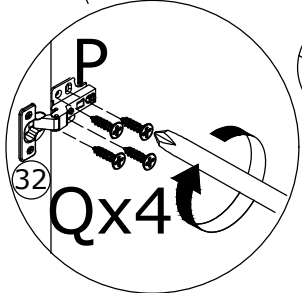
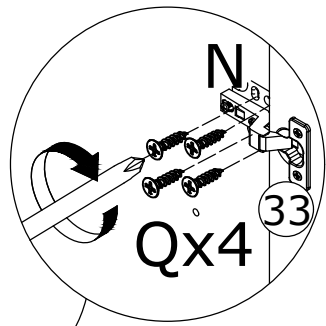
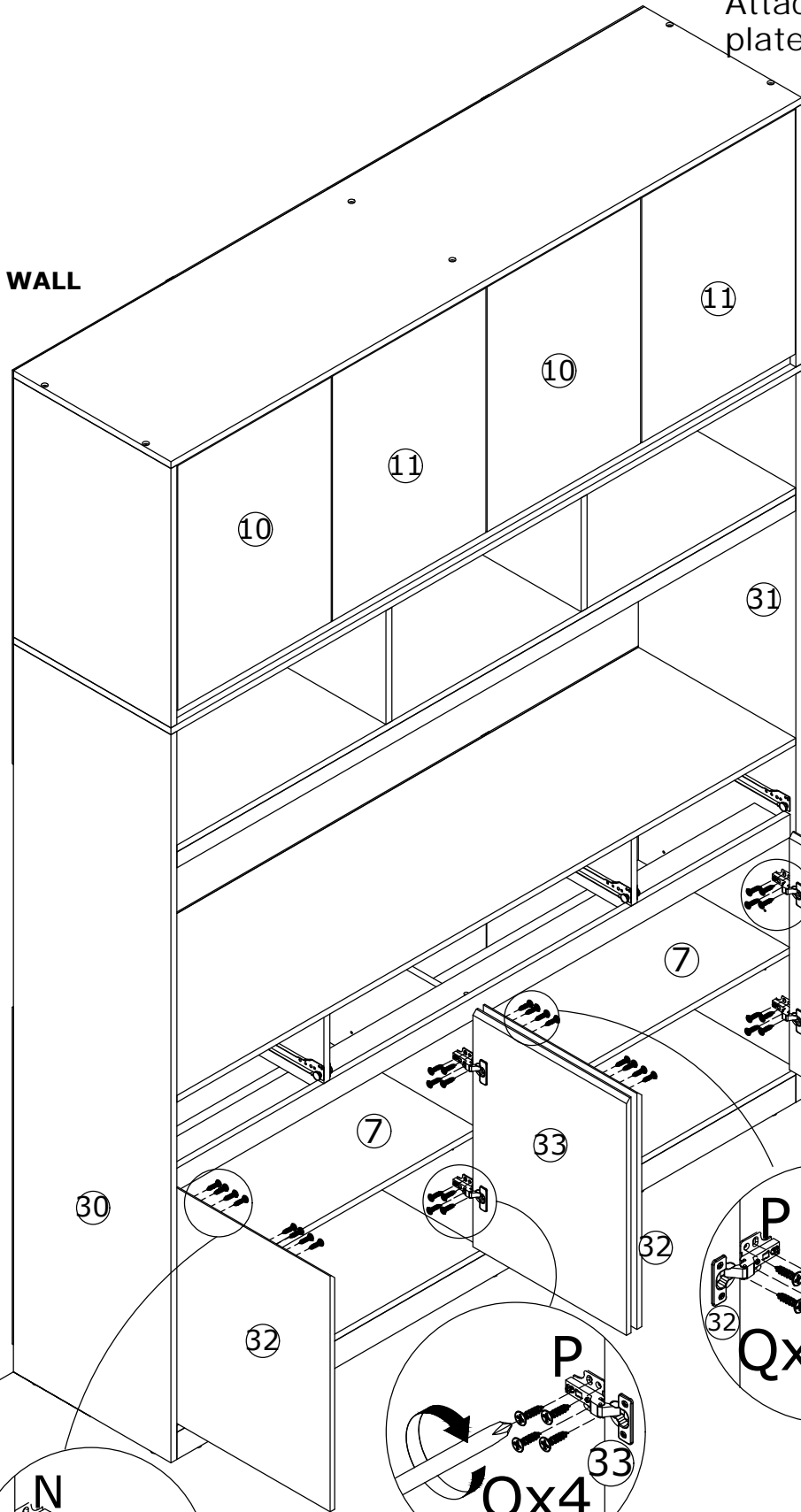
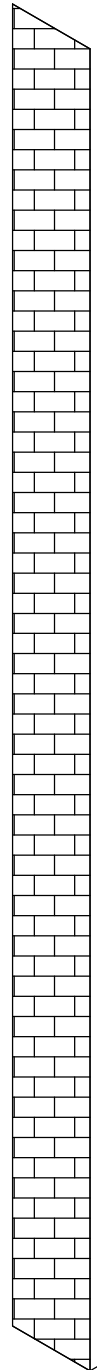
36

Q x 32

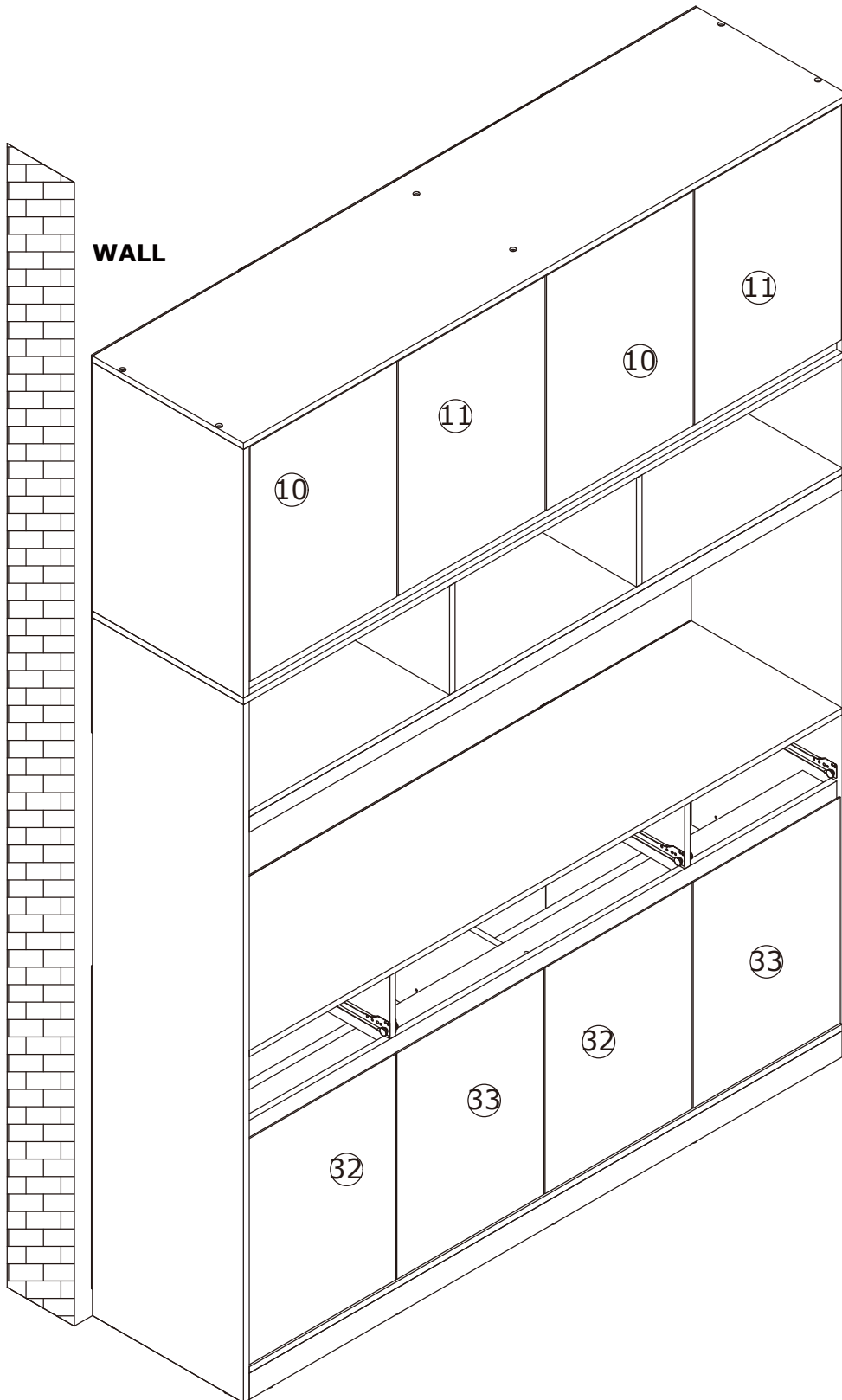


Attach plate 32 to plate 30;
plate 33 to plate 31 by
fixing hinge(N) with
screw(Q) as shown.

Attach another plate 32
and 33 to plate 25 by
fixing hinge(P) with
screw(Q) as shown.

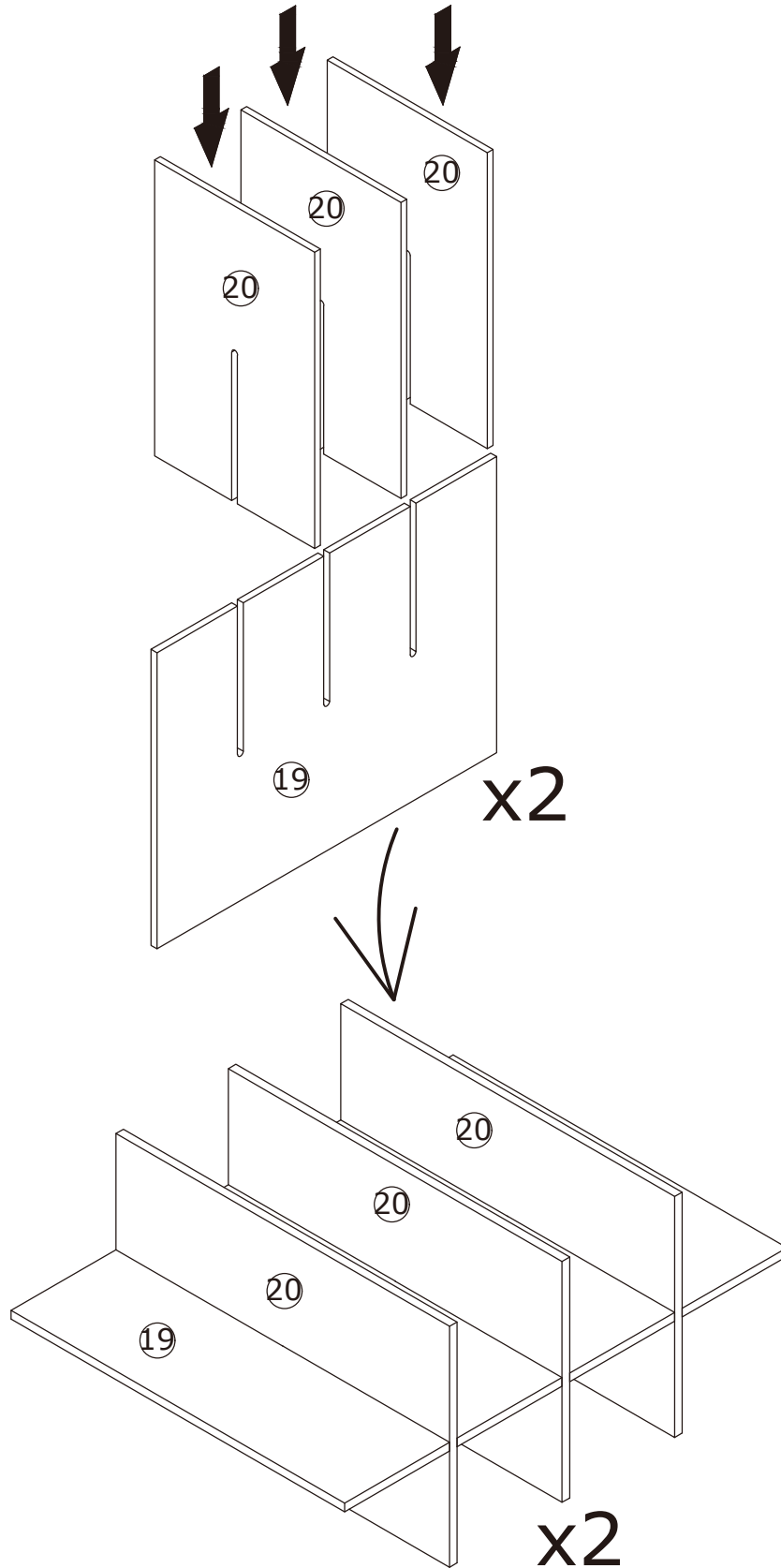


37

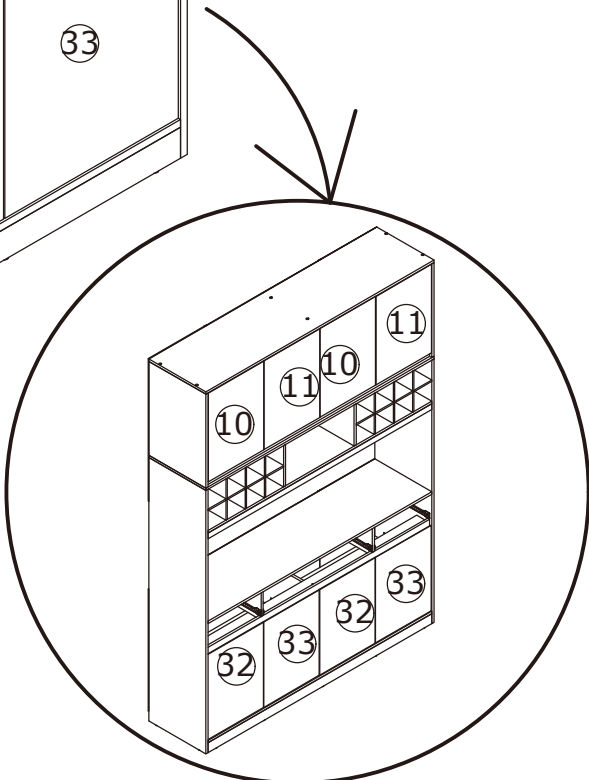
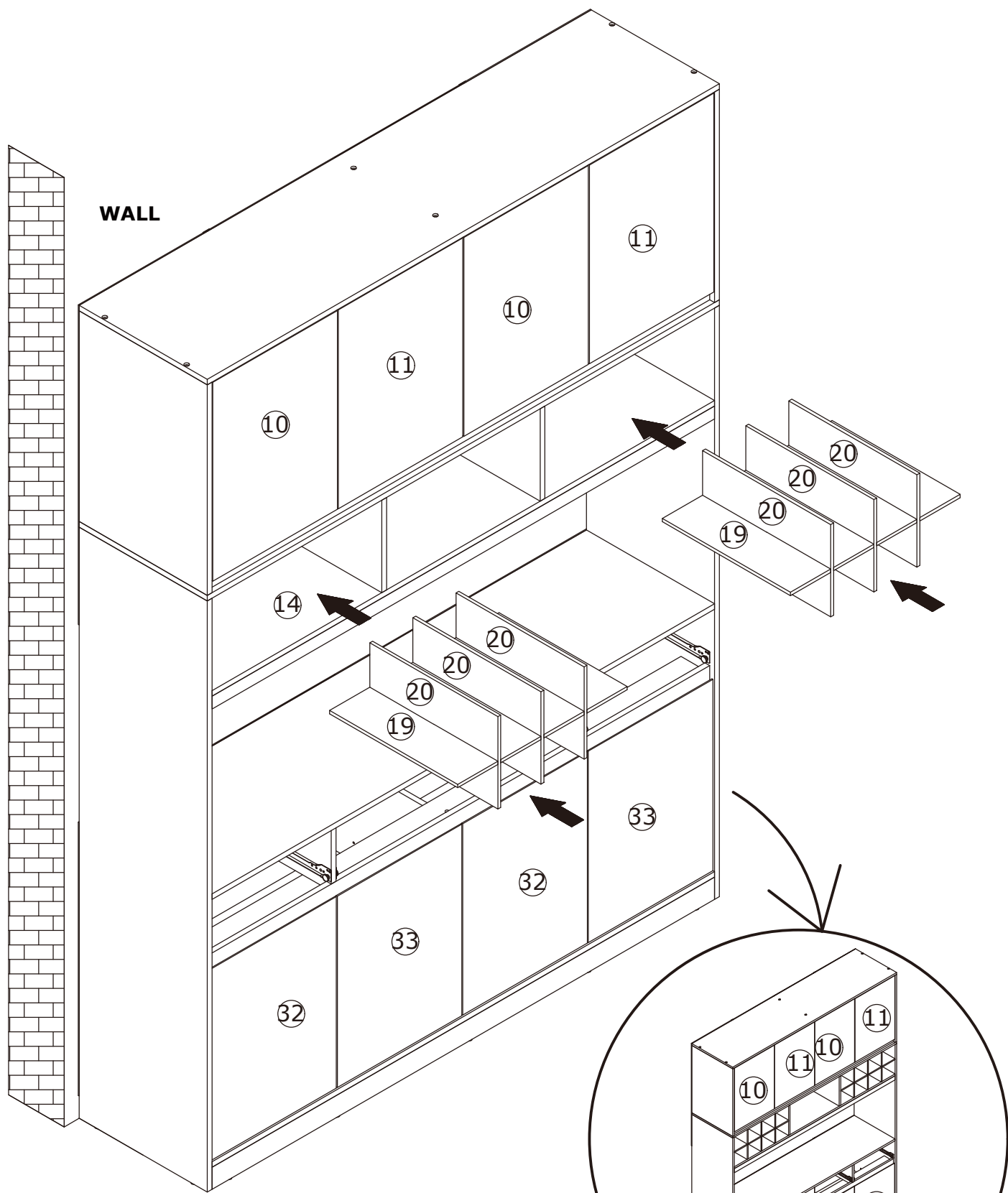


38

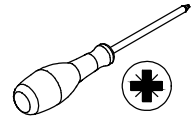
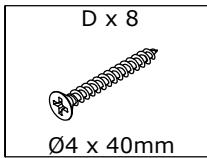
Please insert plate 20 into the slots of plate 19, as shown.



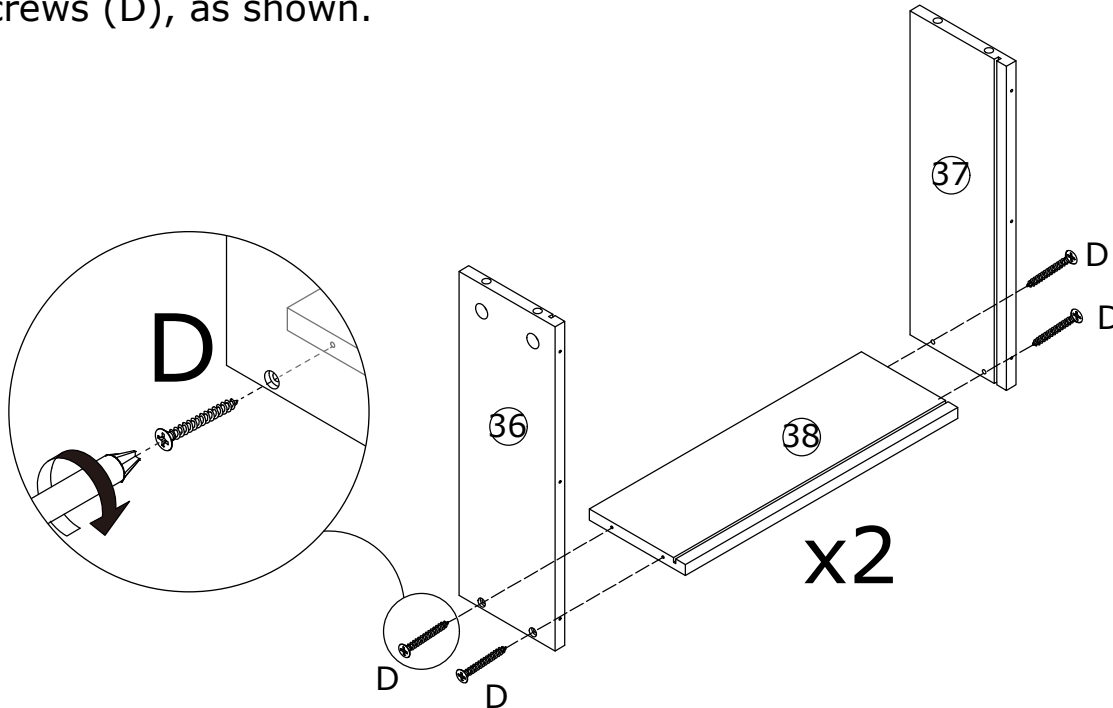
39



40

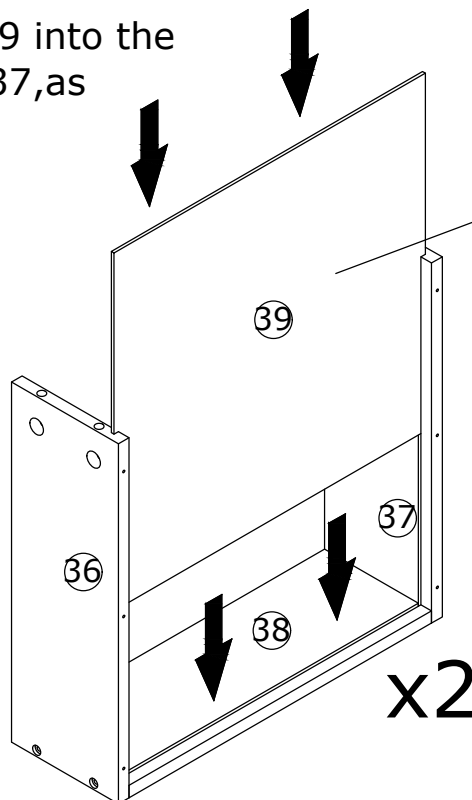


Please connect plate 36 and 37 with plate 38 using screws (D), as shown.



41

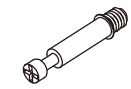
Please insert plate 39 into the slot of plate 36 and 37, as shown.



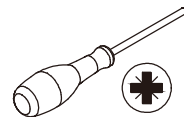
Note: Plate 39 extraction base is white and backward

42

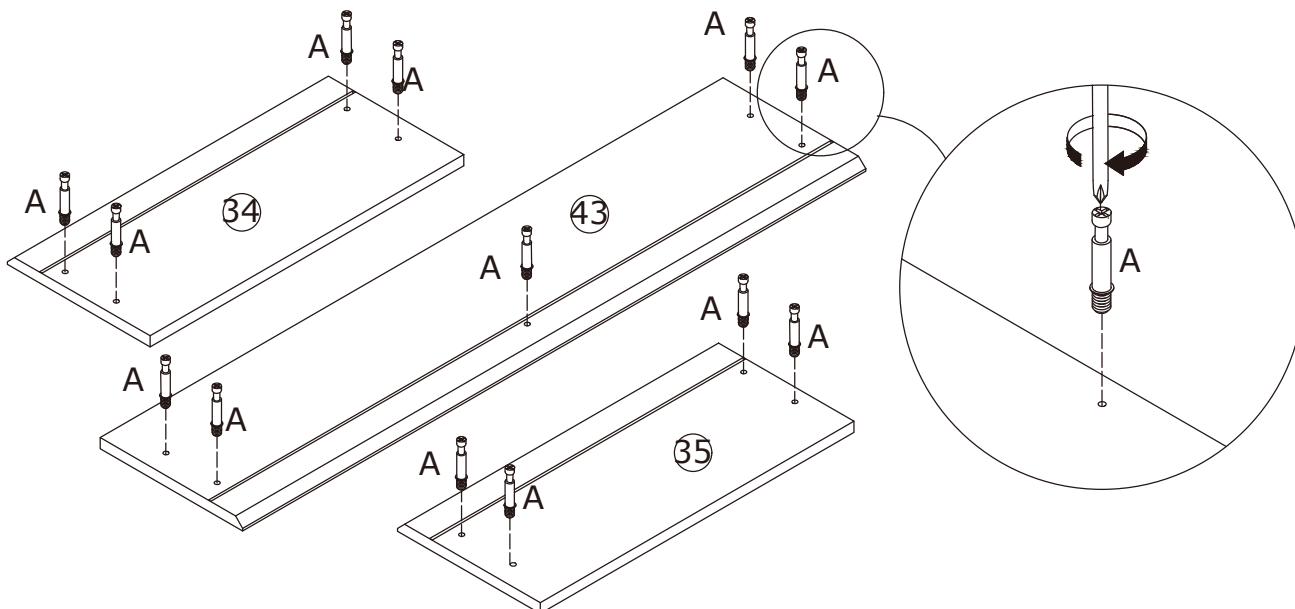
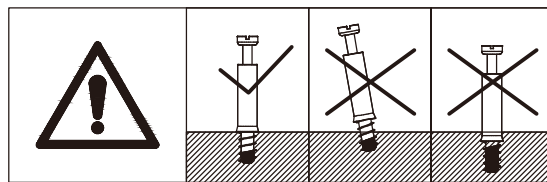
A x 13



Ø6 x 35mm



Insert quickfit screw(A) into plate 34, 35 and 43 with a screwdriver as shown.

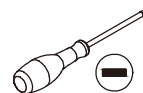


43

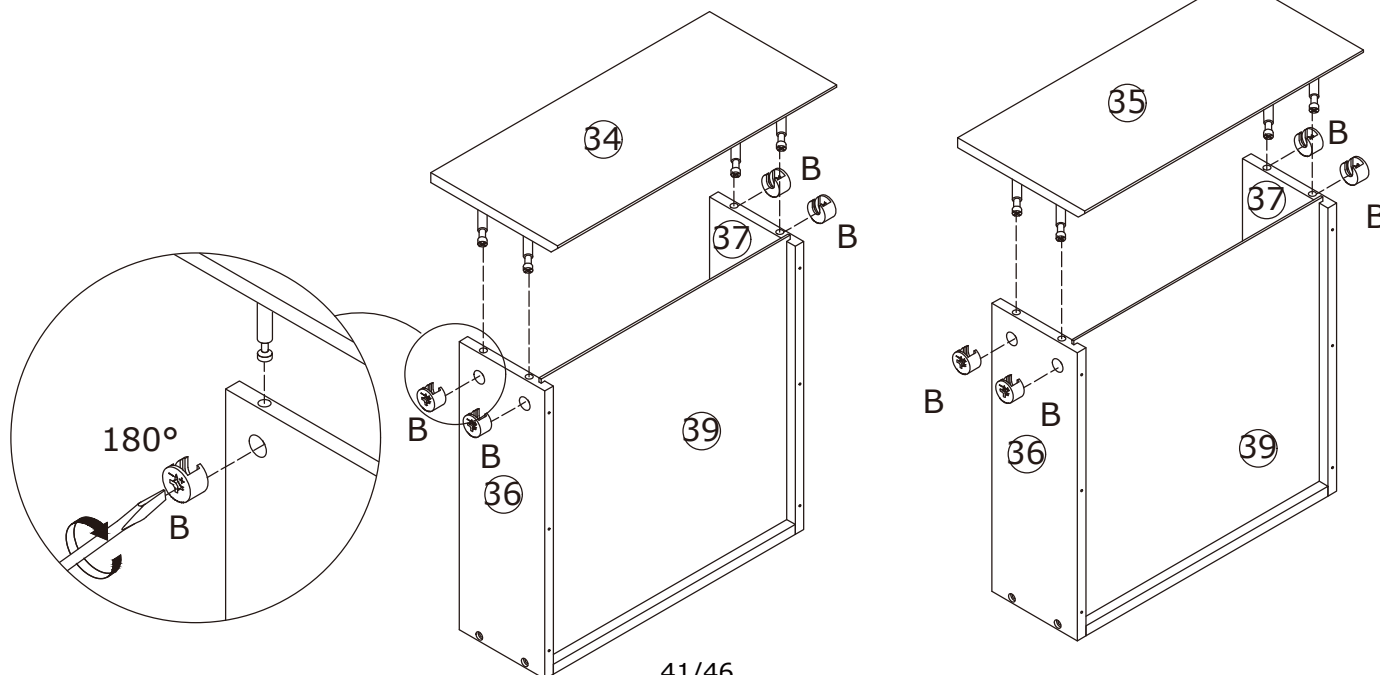
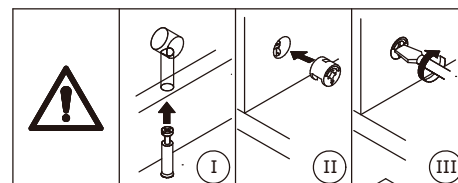
B x 8






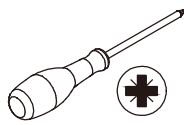

Ø15 x 10mm



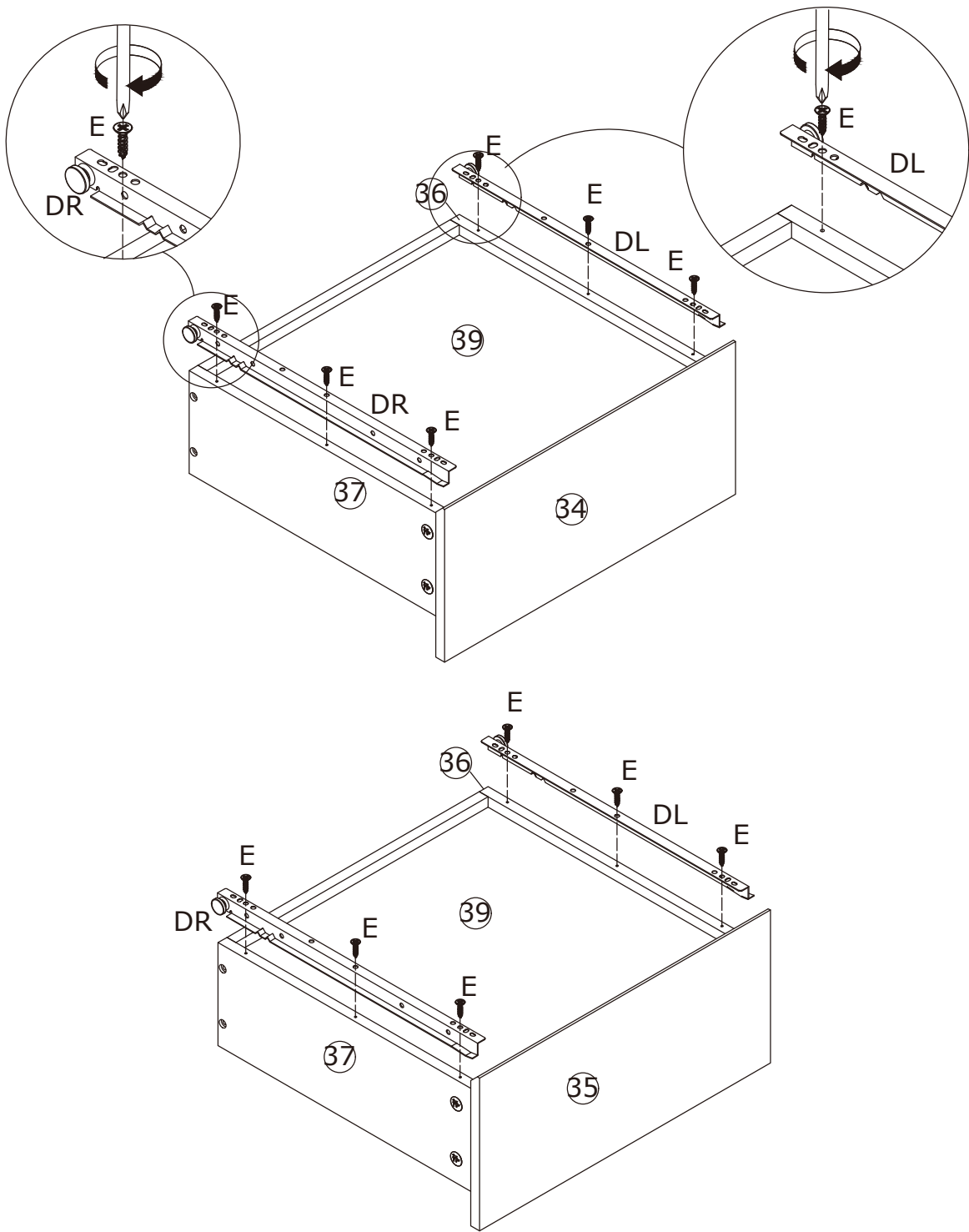
Attach plate 34 and 35 to the assembled components respectively and turn cam lock(B) clockwise to tighten as shown.



44

E x 12  Ø3.5 x 12mm	DL x 2  L350mm	DR x 2  L350mm	 
--	---	---	--

Fix runner(DL) and (DR) to plate 36 and 37 respectively with screw(E) as shown.

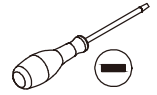


45

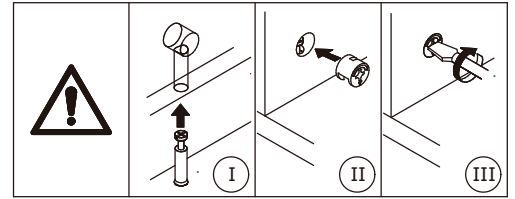
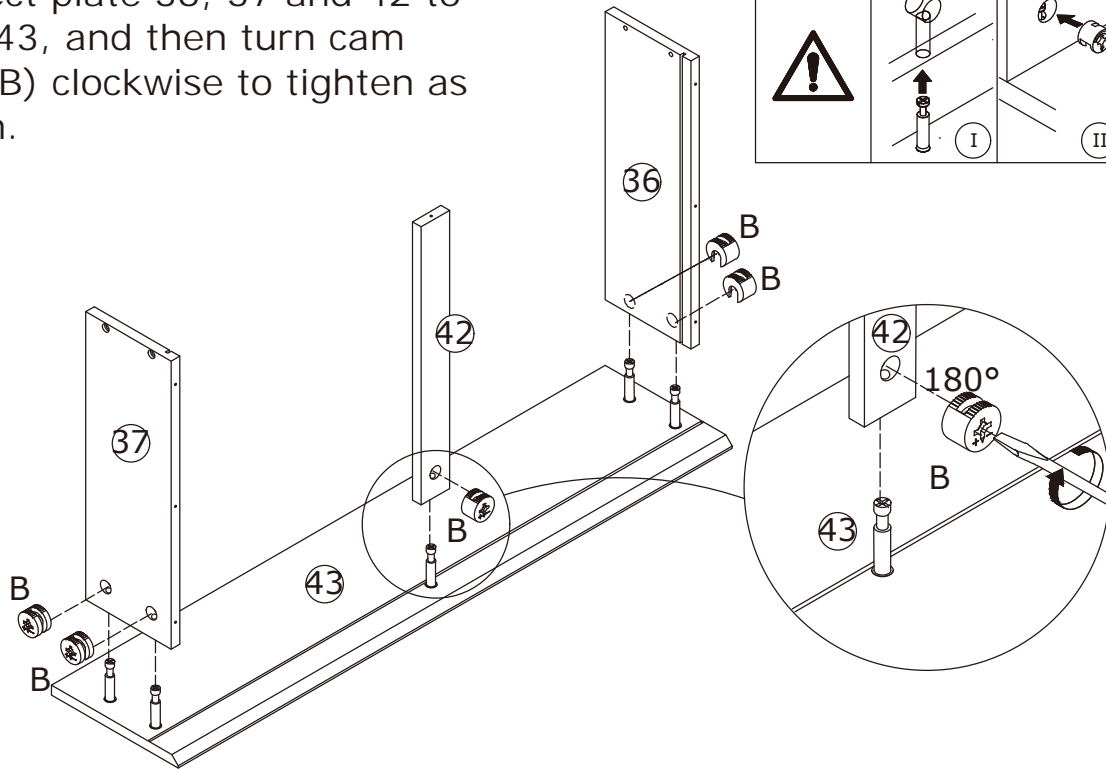
B x 5



Ø15 x 10mm

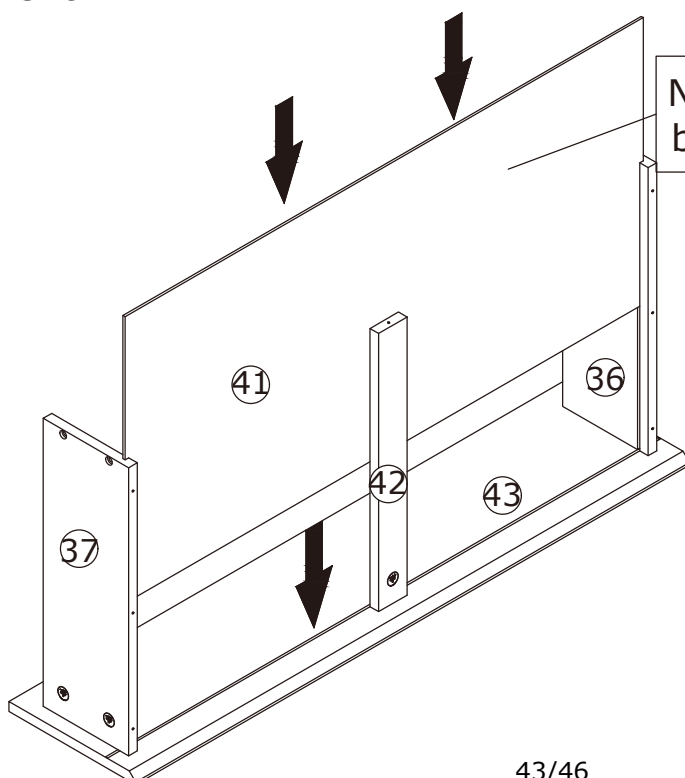


Connect plate 36, 37 and 42 to plate 43, and then turn cam locks(B) clockwise to tighten as shown.



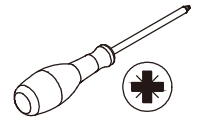
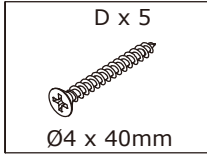
46

Please insert plate 41 into the slots as shown.

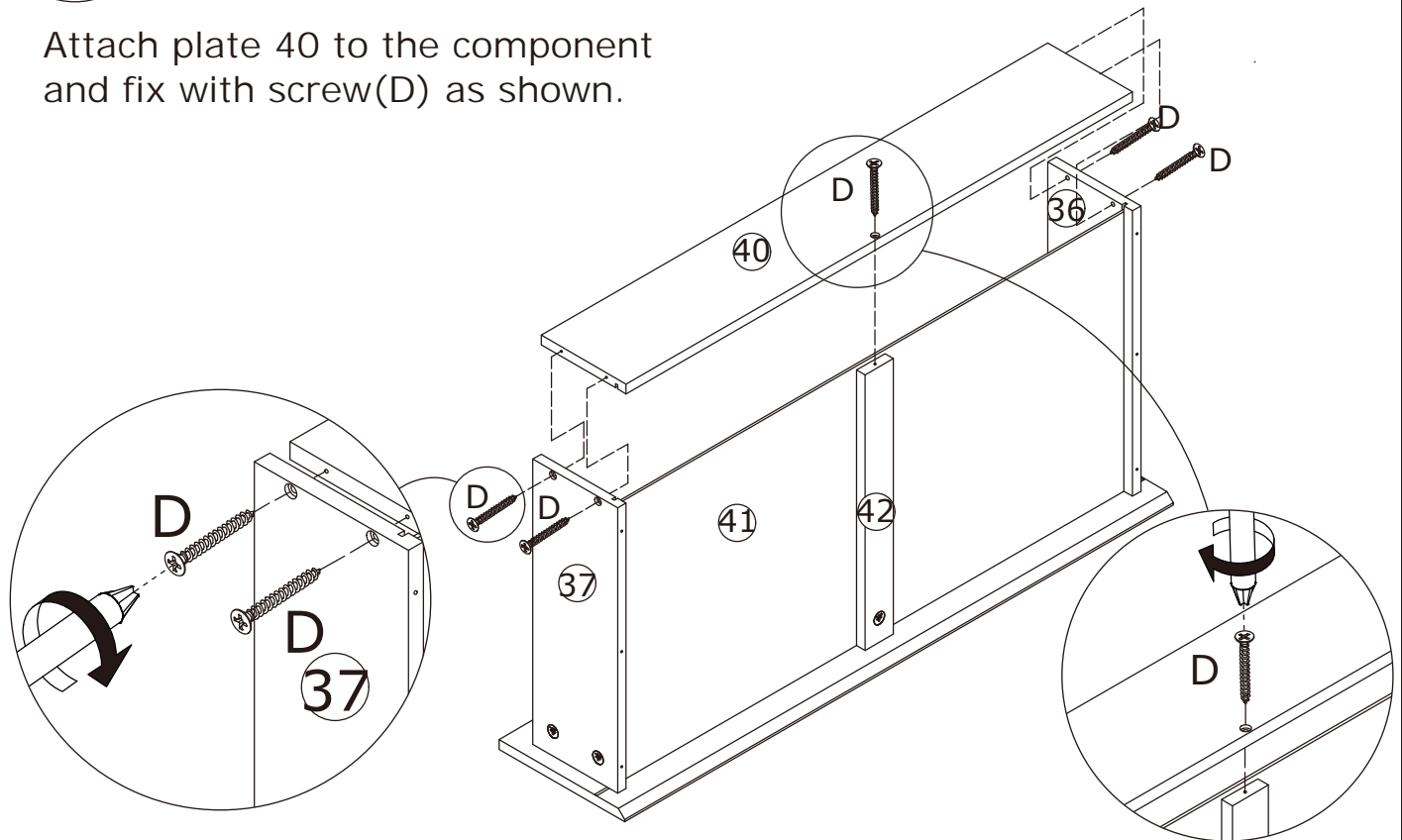


Note: Plate 41 extraction base is white and backward

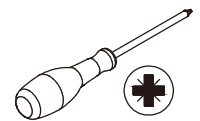
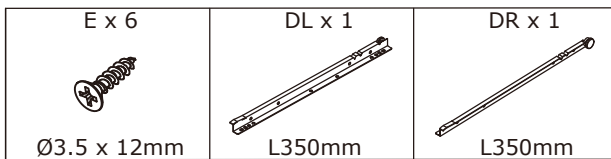
47



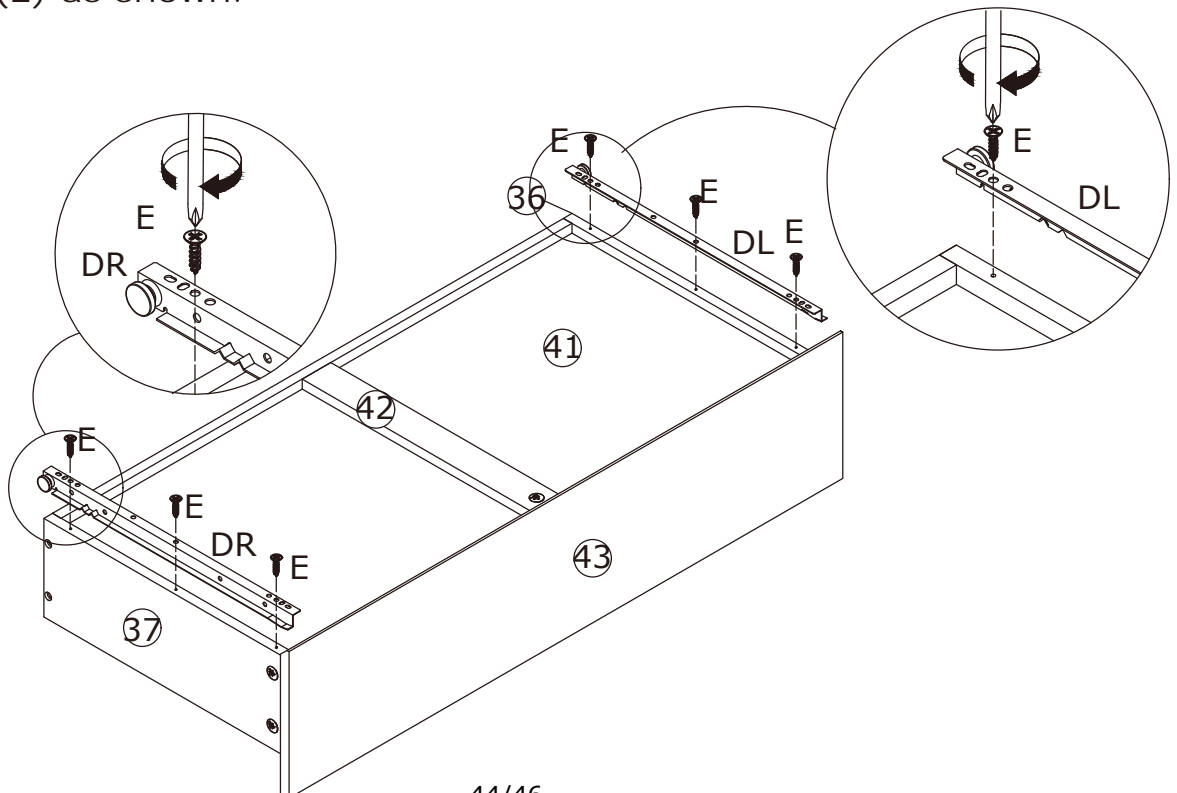
Attach plate 40 to the component and fix with screw(D) as shown.



48

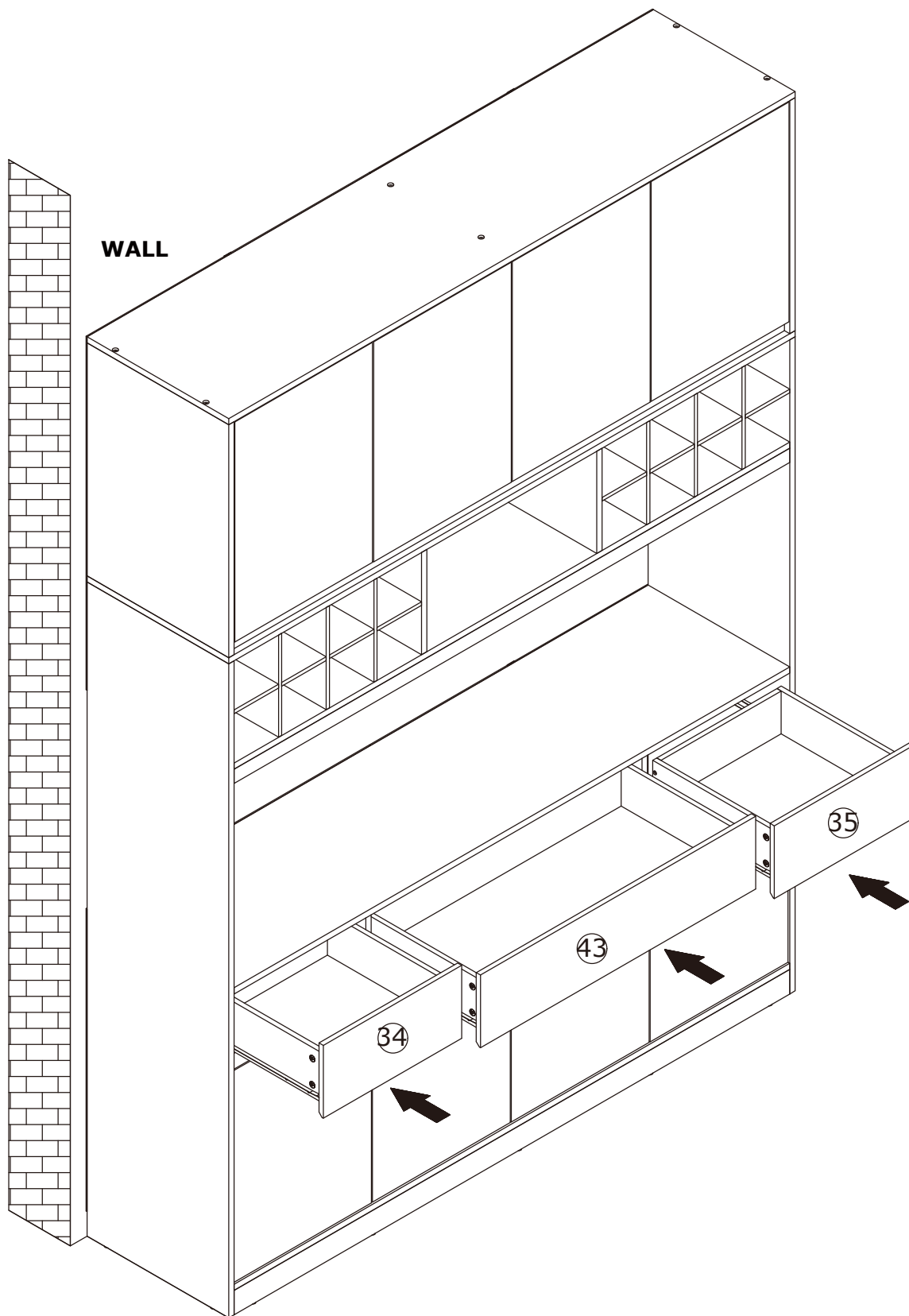


Fix runner(DL) and (DR) to plate 36 and 37 respectively with screw(E) as shown.

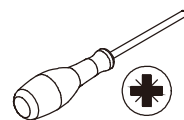


49

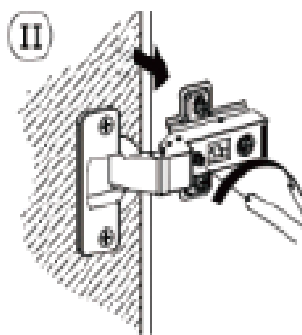
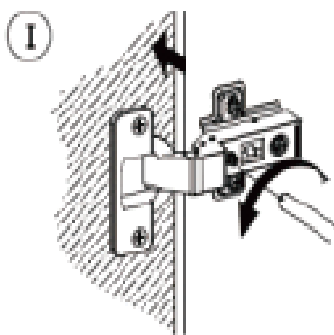
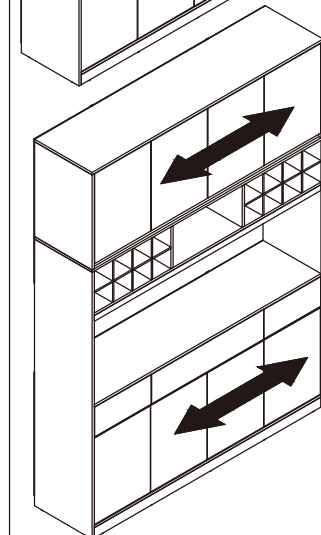
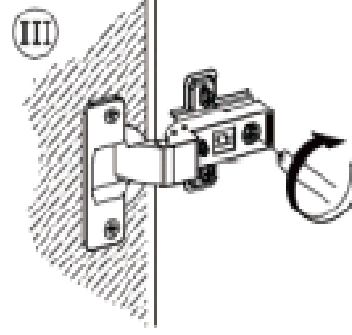
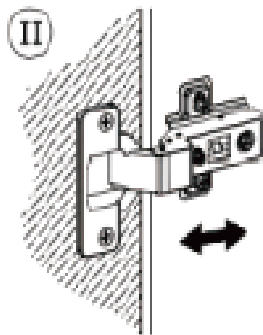
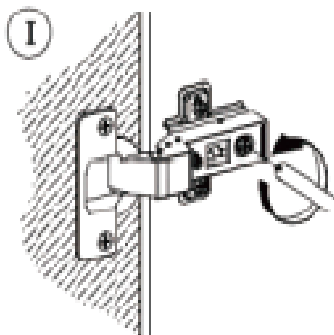
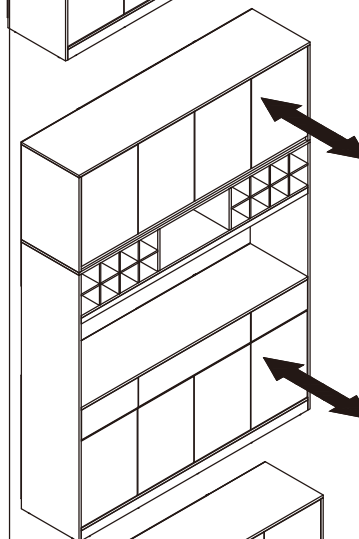
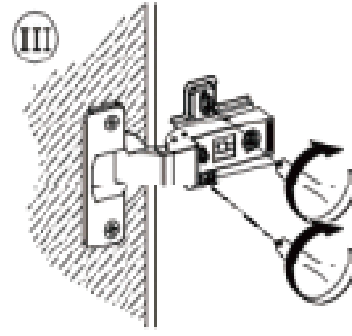
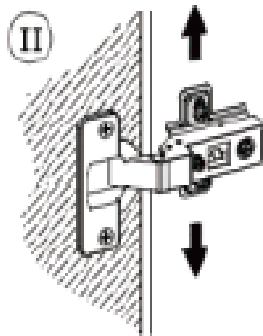
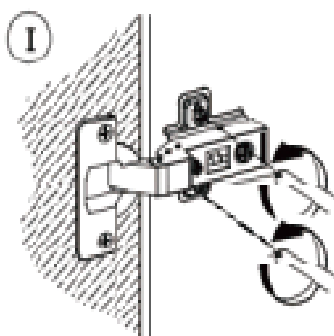
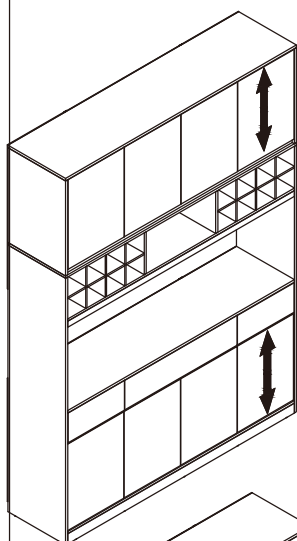
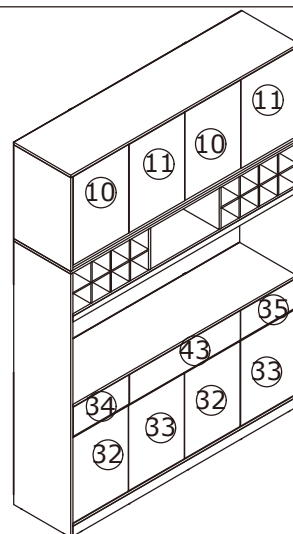
Align rails, slide all drawers.



50



Adjust hinges to make the door alignment, as shown.



WARRANTY

WARRANTY CLAIMS

- There is a 30-day warranty for broken furniture or any other problems that do not work properly. The warranty will start from the date of purchase which must be verified by proof of purchase.
- Before making a claim, we may be able to answer your query, simply call us. Please leave your purchase order number, along with some details of the problem, if you want a replacement part. We will arrange within 48 hours. If there is out of stock, we will reply with a shipping date.
- The product must be used in accordance with the instructions provided. For health reasons.
- For other reasons, if the furniture needs to be returned, it must be cleaned and dried and operated within 30 days of receipt.

Type of Warranty Claim

- Failure to follow the furniture instructions will invalidate the warranty. Attention please.
- Does not include damage during installation, but includes damage during transportation.

Scope of responsibility

- Shall not bear any responsibility for misuse or user damage and / or loss of parts during the installation of furniture.
- After using, the damage and scratches of the furniture are not covered by the warranty.

The Warranty Relates to All Bought in The Us and Covers The Following Areas

- Sheet parts: 1 month from the date of purchase.
- Electrical parts: 1 month from the date of purchase.

RETURNS

CHANGED YOUR MIND AND NEED TO RETURN YOU ITEM?

PLEASE FOLLOW THE BELOW INSTRUCTIONS:

- If you have purchased and have simply changed your mind, follow the retailer's instructions for returns.

DEFECTIVE ITEMS

- If your item is defective in any way, i.e. it doesn't work but you can't identify why, in the first instance, please call us.

DAMAGED ITEMS

- If you receive an order with obvious shipping damage from the retailer, then we suggest the delivery is refused. If the delivery has been accepted and then shipping damage is found, please follow the specific instructions advised by the retailer.
In all circumstances please save all packaging material and paperwork for the order. Please be aware that if you dispose of packaging material or attempt to return the merchandise without contacting the fulfiller, you jeopardise your chances of making a claim, and you may not receive a credit for the return.