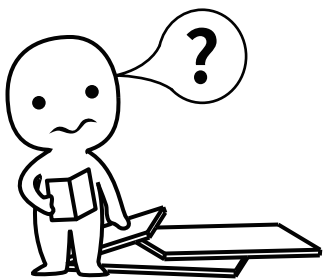


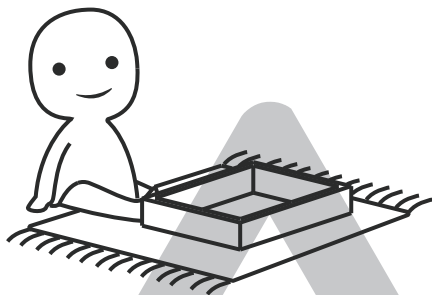
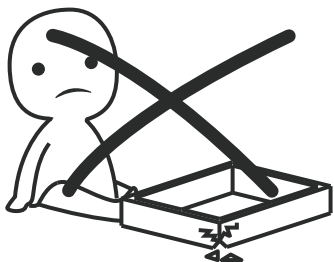
cabinet





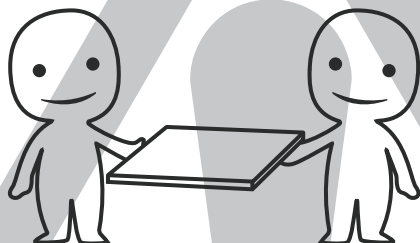
IMPORTANT INFORMATION!

please read the entire manual before starting to assemble and/or using this product. follow the manual thoroughly and keep it for further reference.



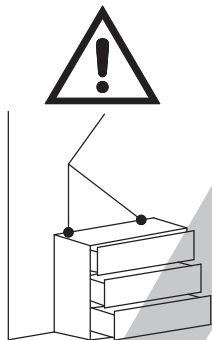
AVOID SCRATCHES!

In order to avoid scratching this furniture should be assembled on a soft layer- could be a rug.



IMPROVE EFFICIENCY !

Try to find a partner to install with you, which can speed up the installation efficiency and shorten the time.



ANTI-TOPPLE WARNING !

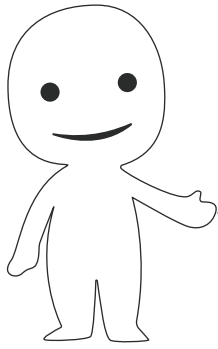
Overturnd furniture can cause serious or fatal crush injuries. To prevent tipping over, be sure to use the wall attachment, if not included with this product. Please purchase the wall attachment that fit your wall. If unsure, seek professional advice. Please read and follow each step of the instructions carefully.

IMPORTANT !

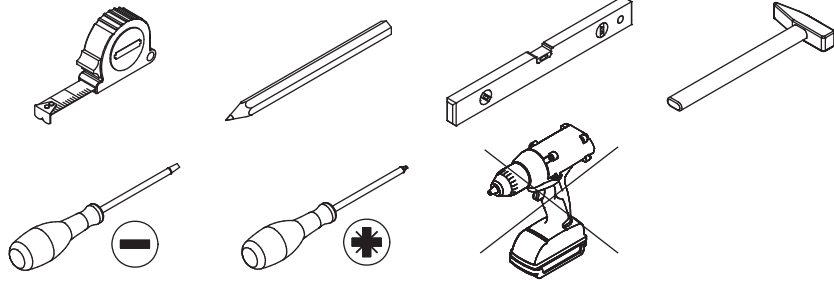
It is important that any product which is assembled using any kind of screw is re-tightened 2 weeks after assembly, and once every 3 months - in order to assure stability through-out the lifespan of the product.

For regular maintenance and cleaning of the product, for the frame, please use a rag dipped in neutral detergent to fully wipe it, and then dry it with a clean rag. For glass materials, wipe with a rag dampened with water glass cleaner, and then dry with a dry rag.

Do not use an electric screwdriver, and do not use too much force when installing, because the board is easy to break.

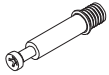


Please prepare the following tools



When installing, please carefully confirm whether each screw corresponds to the manual, accessories with similar shapes can be distinguished by size

A x 65



Φ6X35mm

B x 65



Φ15X9mm

C x 48



Φ6X30mm

D x 53



Φ4X30mm

E x 58



Φ3X12mm

F x 6



Φ4X35mm

G x 7



Φ4X16mm

H x 7



J x 2



Φ6X30mm

K x 2



Φ4X40mm

L x 8



M x 8

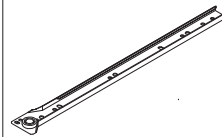


Φ3X16mm

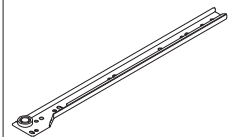
N x 2



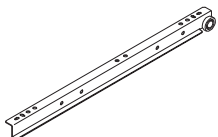
CL x 7



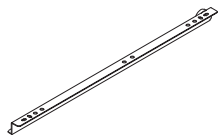
CR x 7

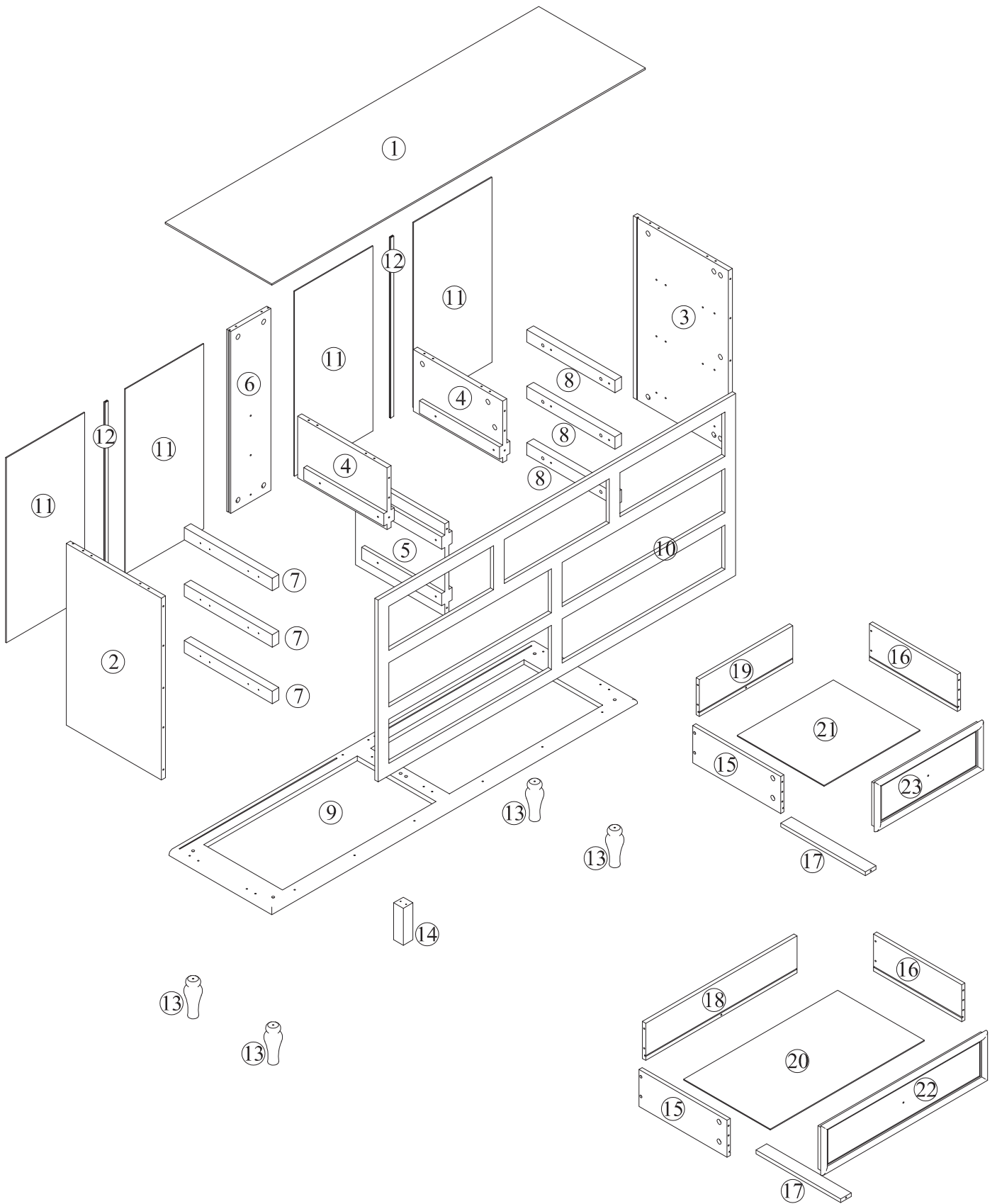


DL x 7



DR x 7

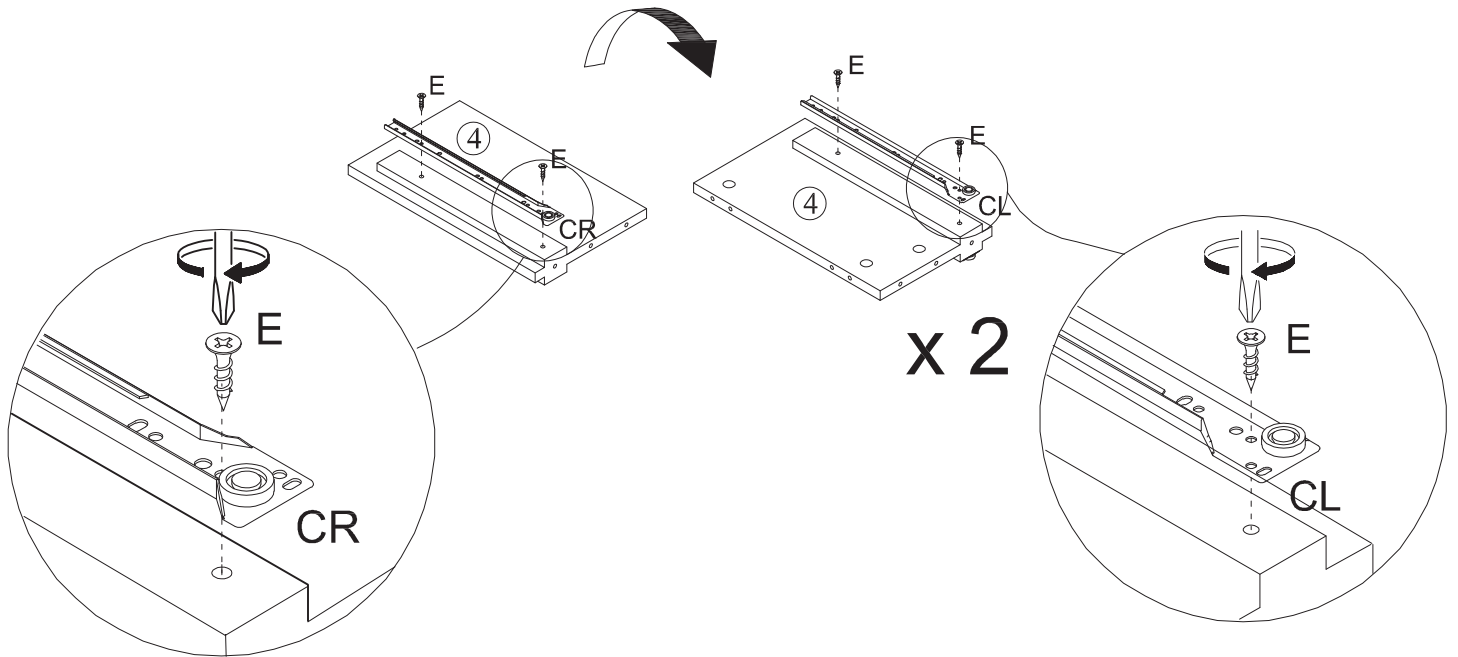




1



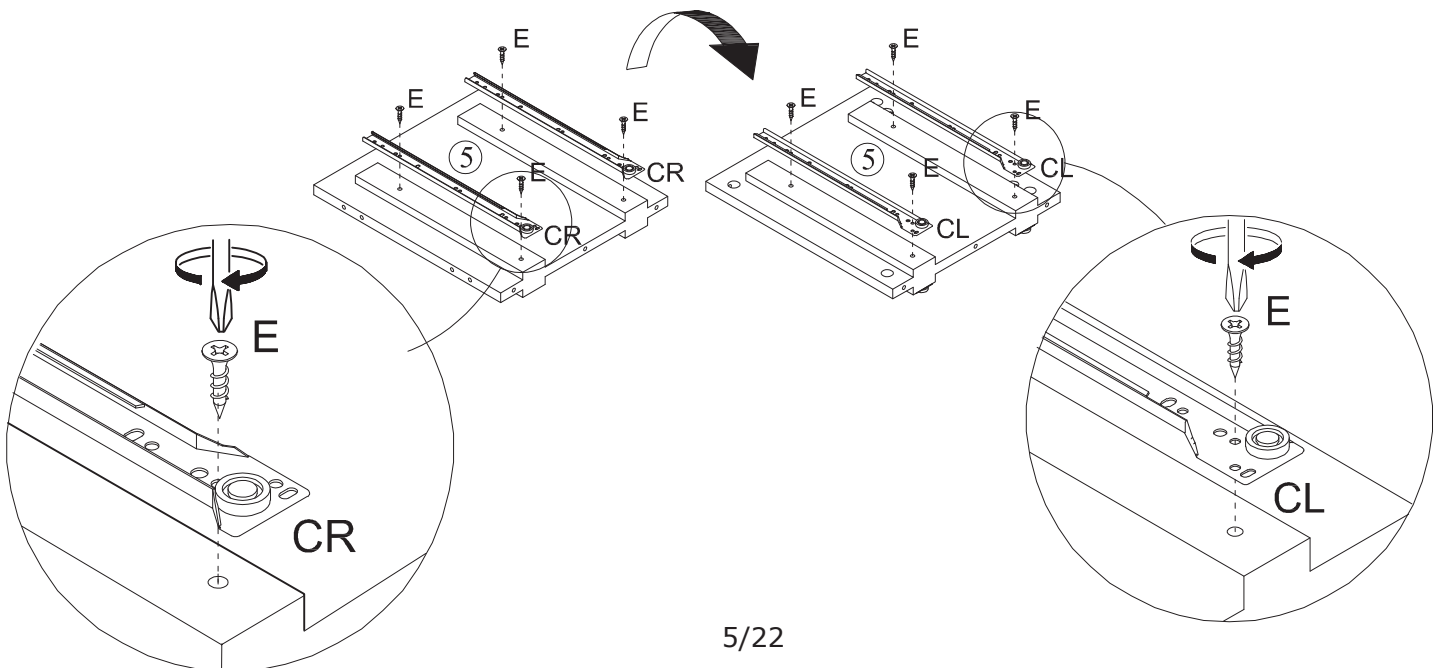
Fix the track to part 4 with screws



2



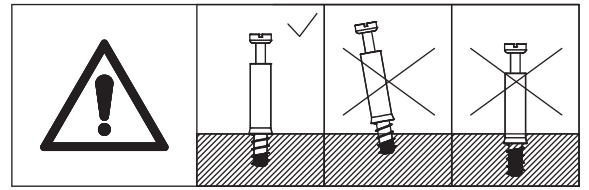
Fix the track to part 5 with screws



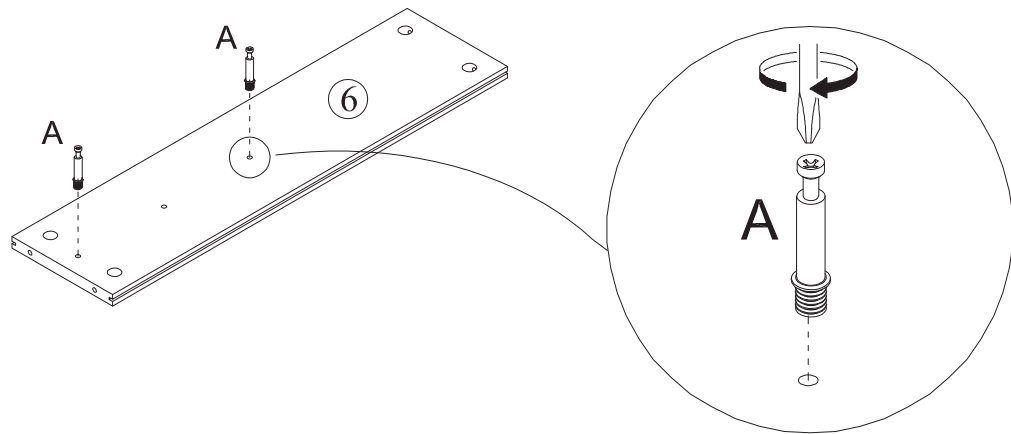
3



Insert quickfit screws A to part 6 as shown.



Do not use an electric screwdriver, do not use force during the rotation of the accessories, otherwise it may cause the board to crack

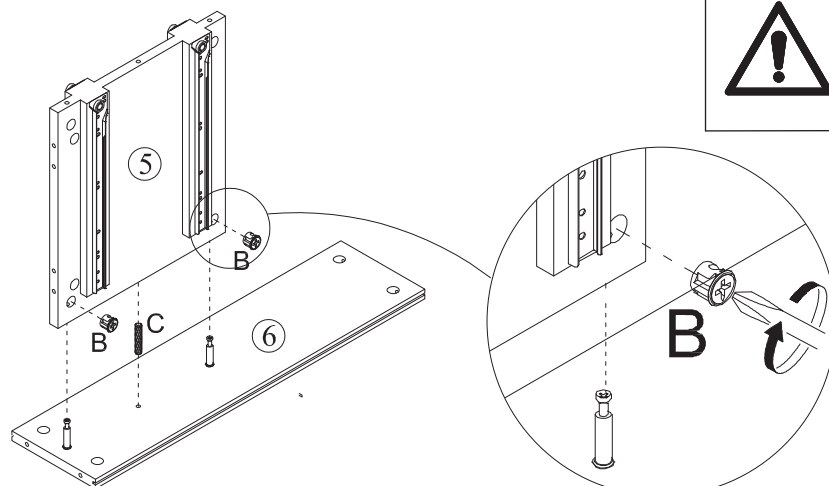
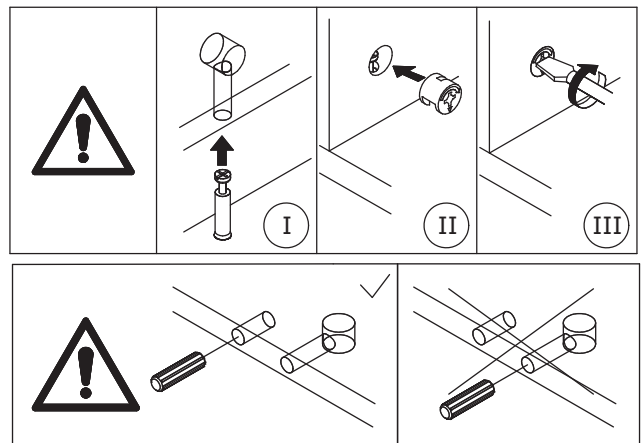


4

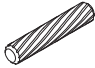



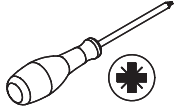


Insert parts 5 and 6 with fitting C

Install the part on part no. 6, insert CAM lock B, rotate and tighten as shown.

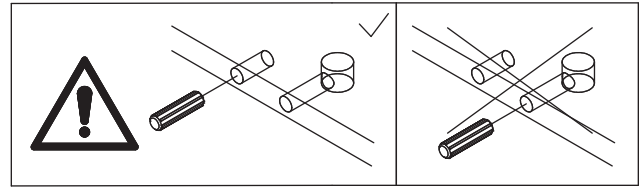
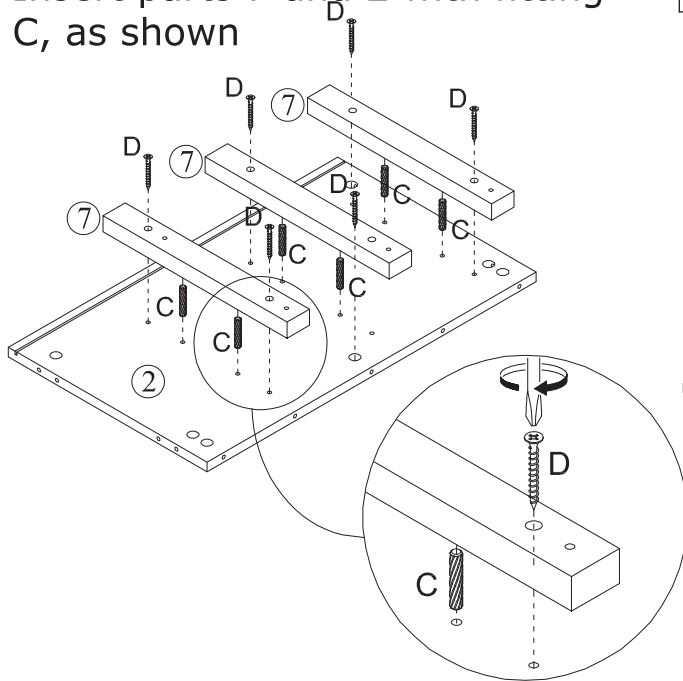


5

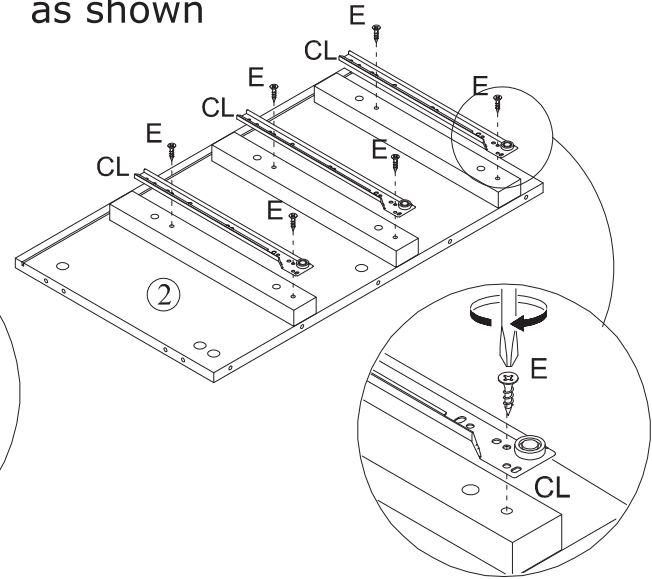
C x 6  Φ6X30mm	D x 6  Φ4X30mm	E x 6  Φ3X12mm	CL x 3 	
---	---	---	---	---

Attach part no. 7 to part No. 2 with fitting D and turn the screw as shown




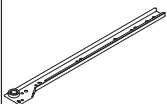
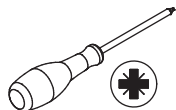
Insert parts 7 and 2 with fitting C, as shown



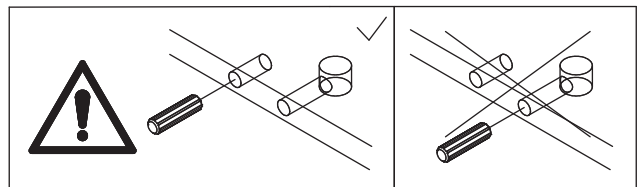
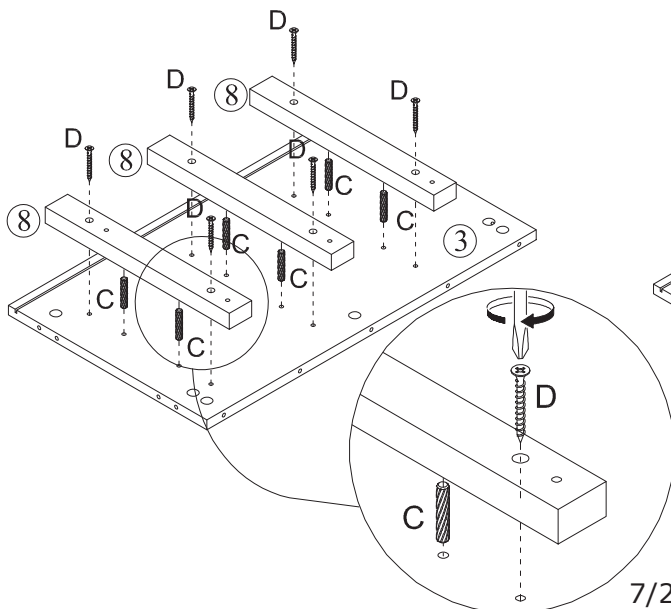
Fix the guide rail CL to part 2 with fitting E and turn the screw as shown



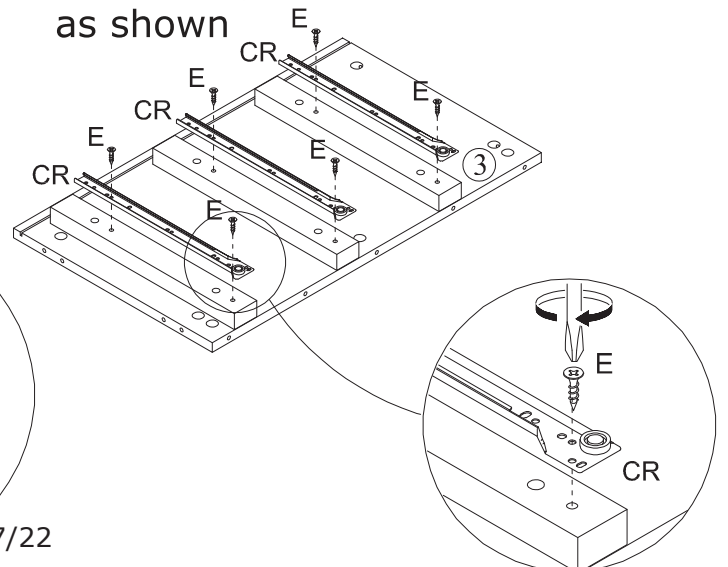
6

C x 6  Φ6X30mm	D x 6  Φ4X30mm	E x 6  Φ3X12mm	CR x 3 	
---	---	---	---	---

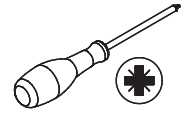
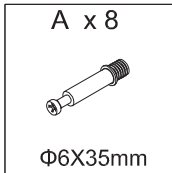
Attach part no. 8 to part No. 3 with fitting D and turn the screw as shown



Fix the guide rail CR to part 3 with fitting E and turn the screw as shown

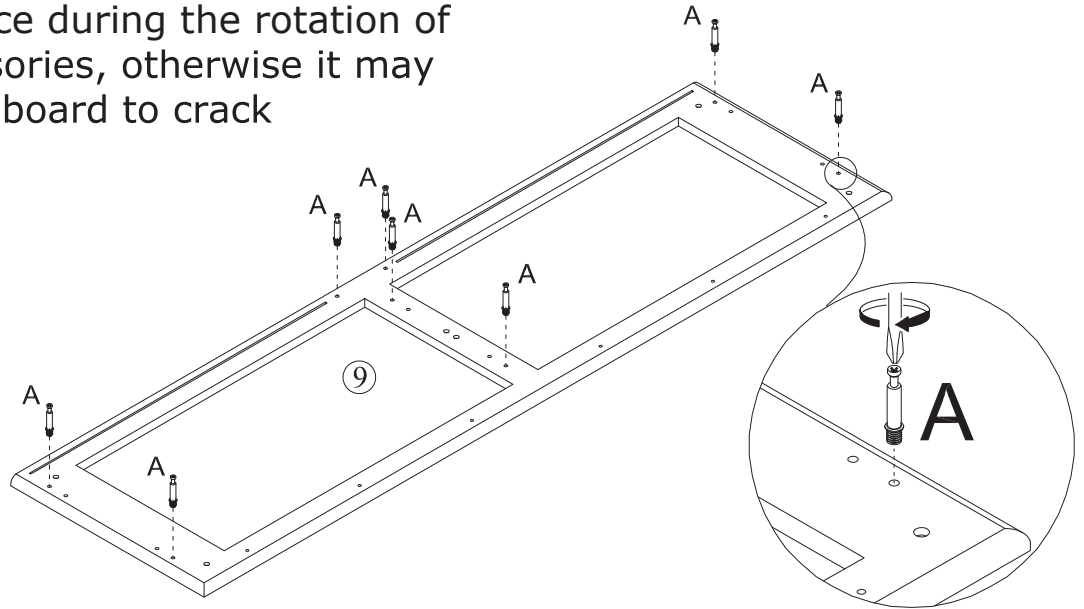
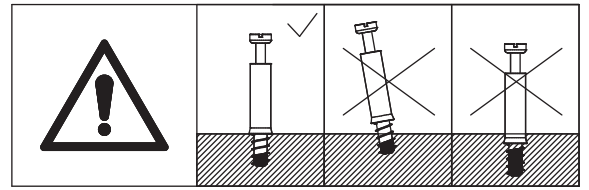


7

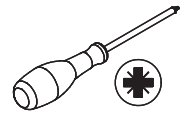
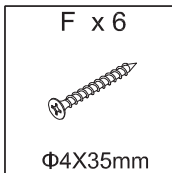


Insert quickfit screws A to part 9 as shown.

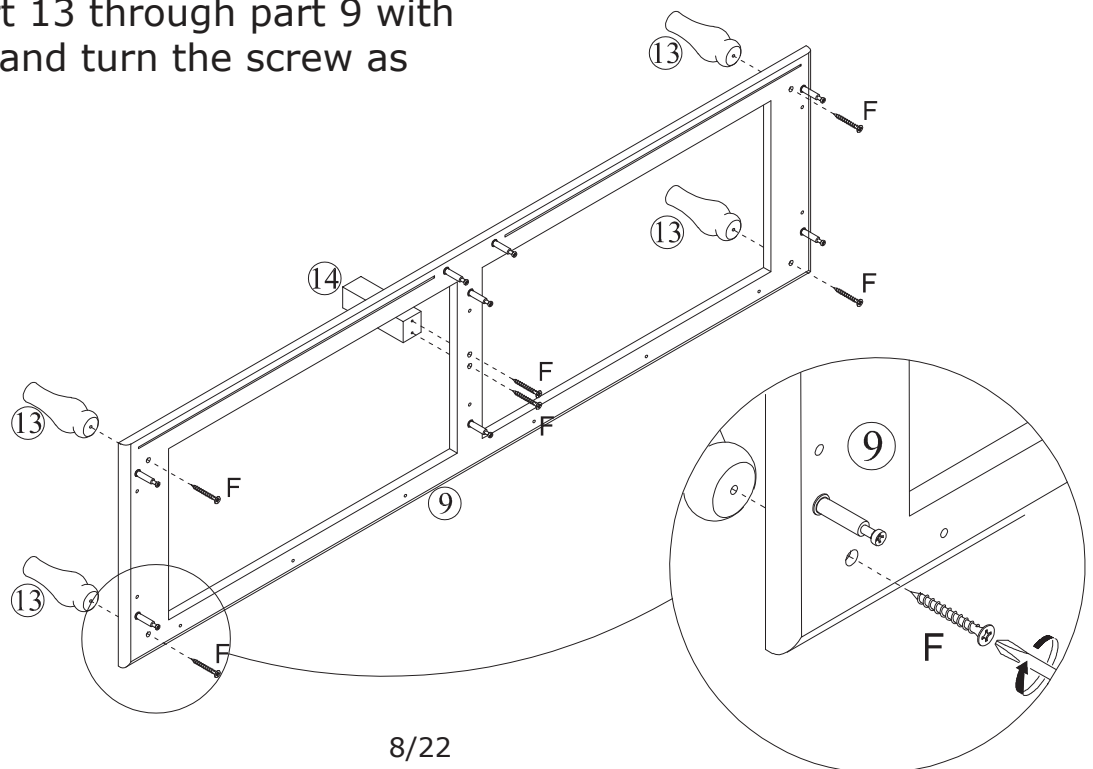
Do not use an electric screwdriver, do not force during the rotation of the accessories, otherwise it may cause the board to crack



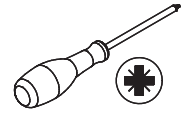
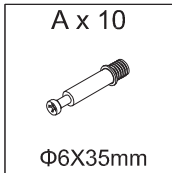
8



Lock part 13 through part 9 with fitting F and turn the screw as shown

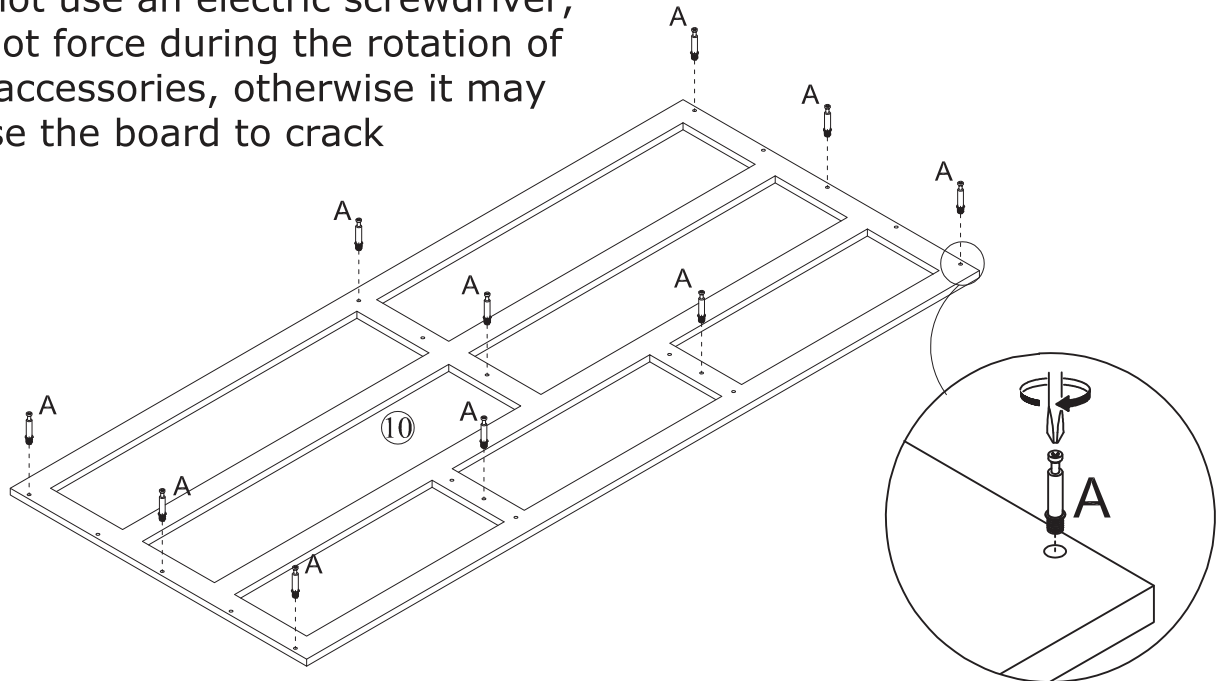
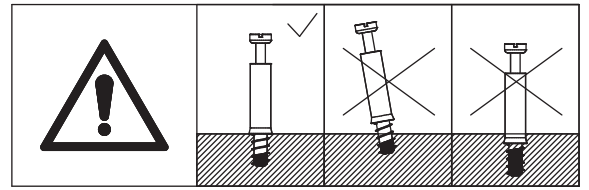


9

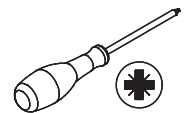
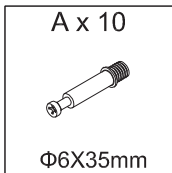


Insert quickfit screws A to part 10 as shown.

Do not use an electric screwdriver, do not force during the rotation of the accessories, otherwise it may cause the board to crack

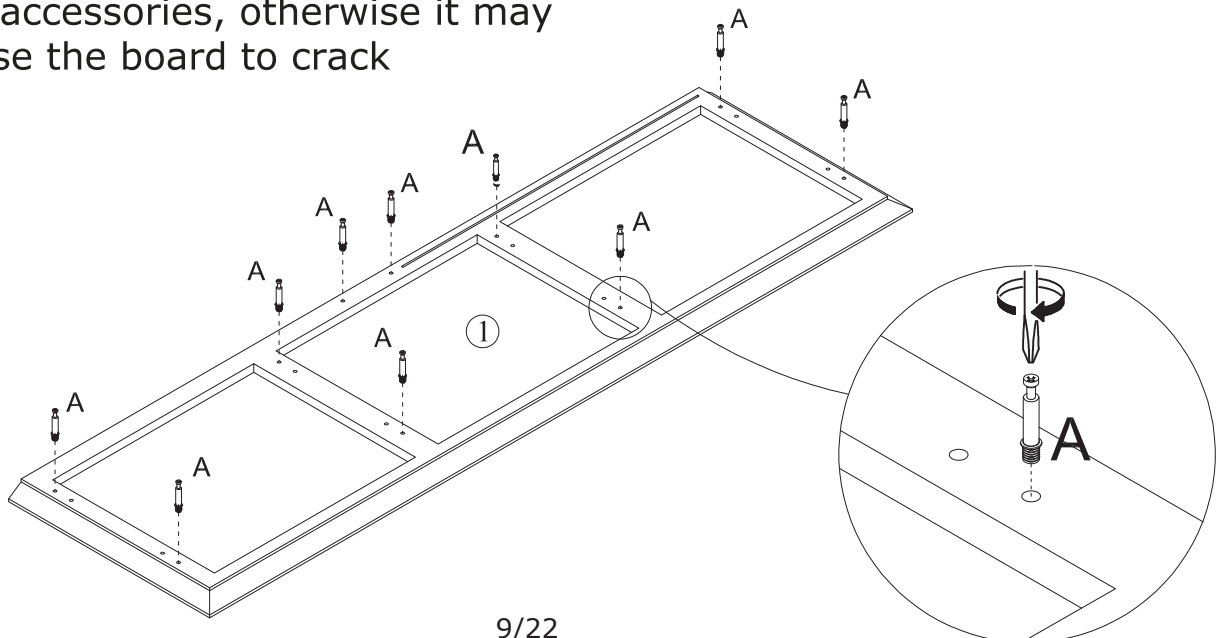
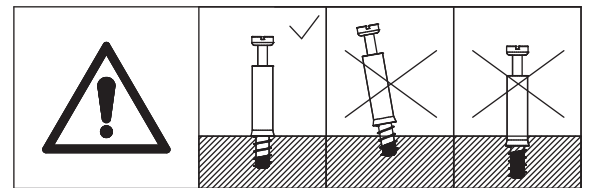


10



Insert quickfit screws A to part 1 as shown.

Do not use an electric screwdriver, do not force during the rotation of the accessories, otherwise it may cause the board to crack

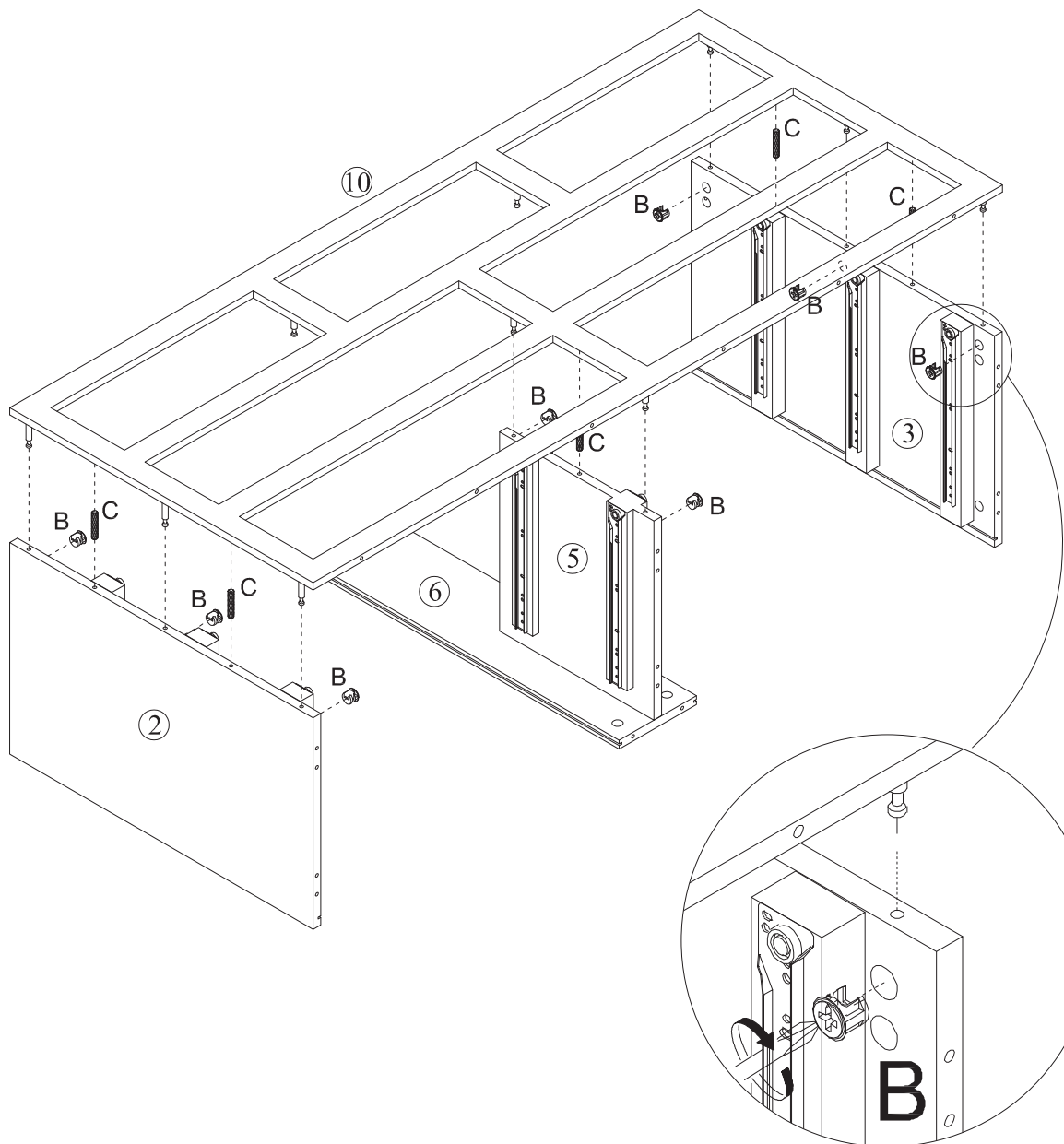
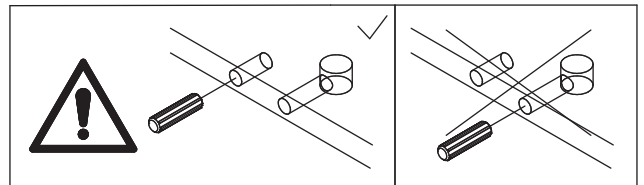
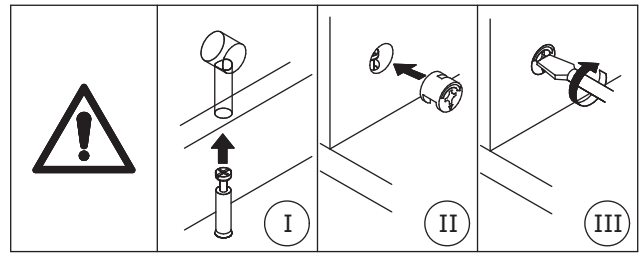


11



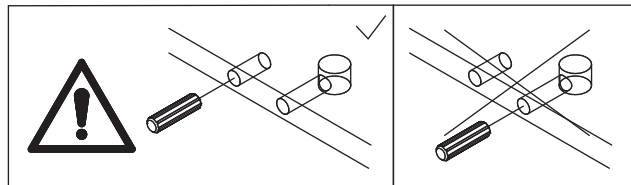
Insert part C into parts 2, 5 and 3,
as shown

Attach part 10 to part 2 and 5 and 3,
insert cam lock B into part 2 and 5
and 3, as shown, turn cam locks
clockwise to tighten.



12

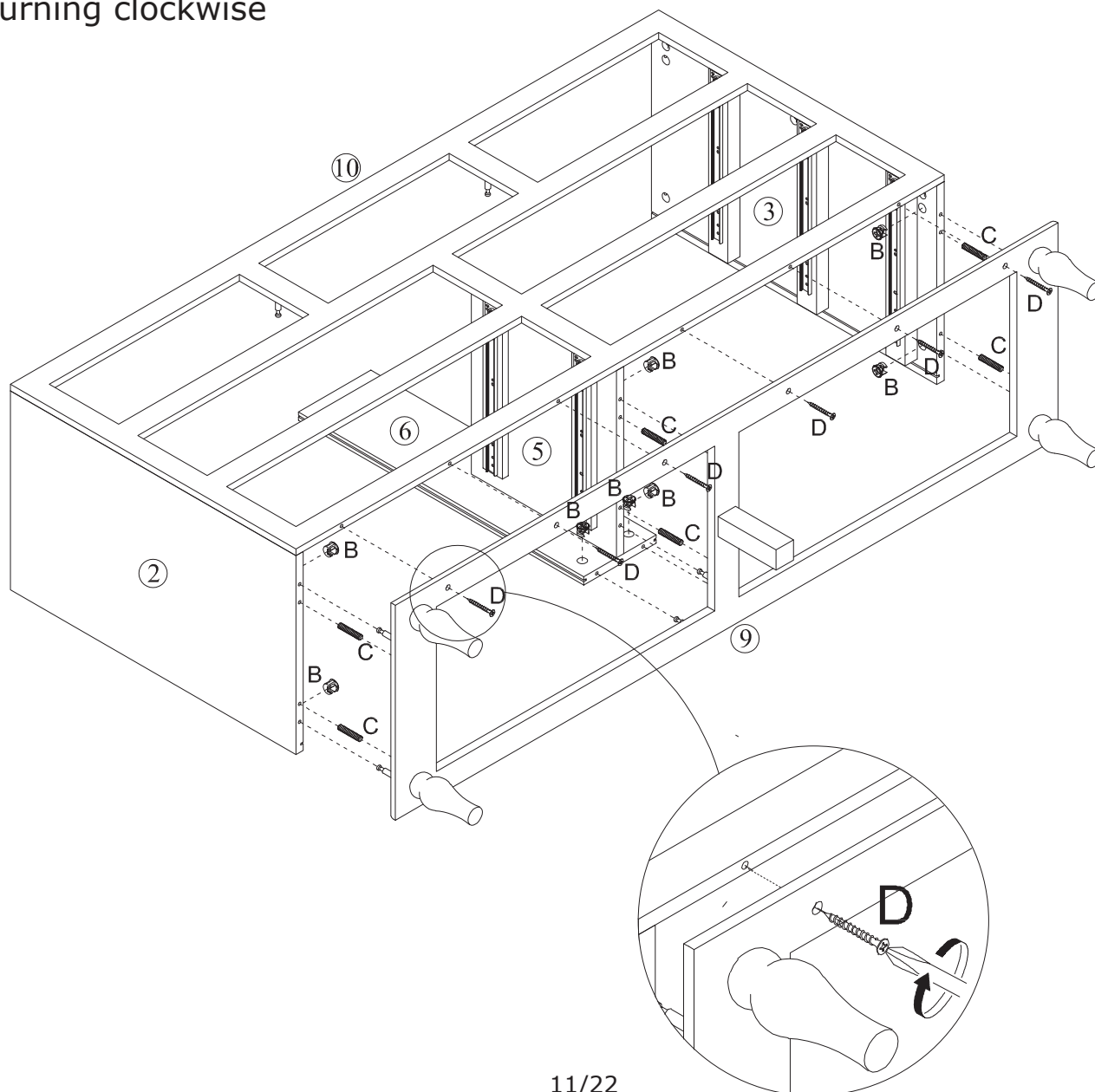
B x 8  Φ15X10mm	C x 6  Φ6X30mm	D x 6  Φ4X30mm	
---	--	--	---



Insert part C into parts 2, 5 and 3, as shown

Attach part 9 to part 2, 5, 6 and 3, insert cam lock B into part 2, 6, and 3 as shown, turn cam locks clockwise to tighten.

Place part D through part 9 to lock part 10, as shown in the picture, turning clockwise



13

B x 2

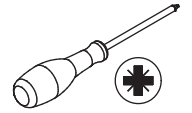


Φ15X10mm

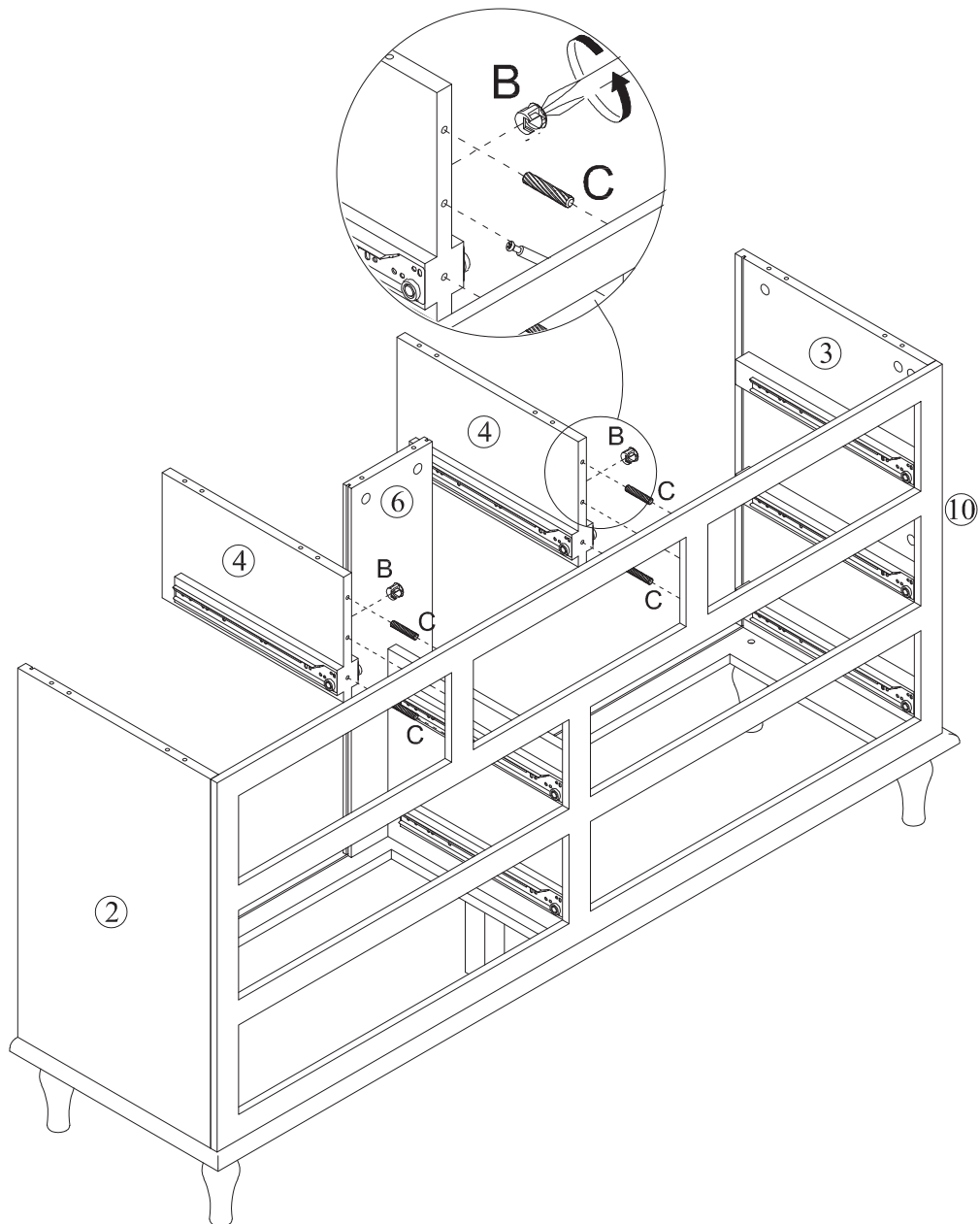
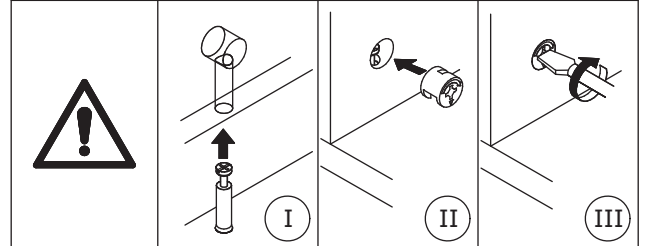
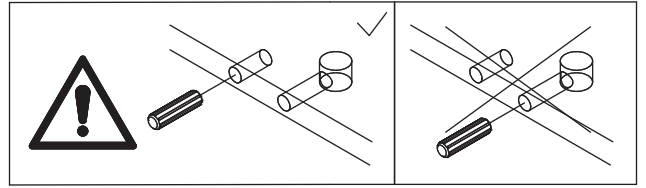
C x 4



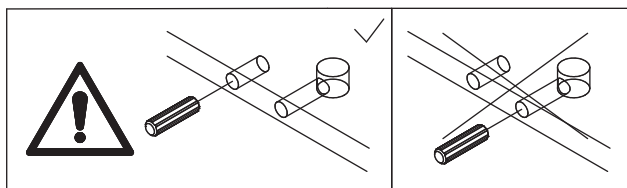
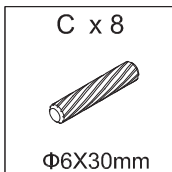
Φ6X30mm



Connect part C into No. 4 with No. 10 and insert Part B into No. 4 as shown turn cam locks clockwise to tighten.

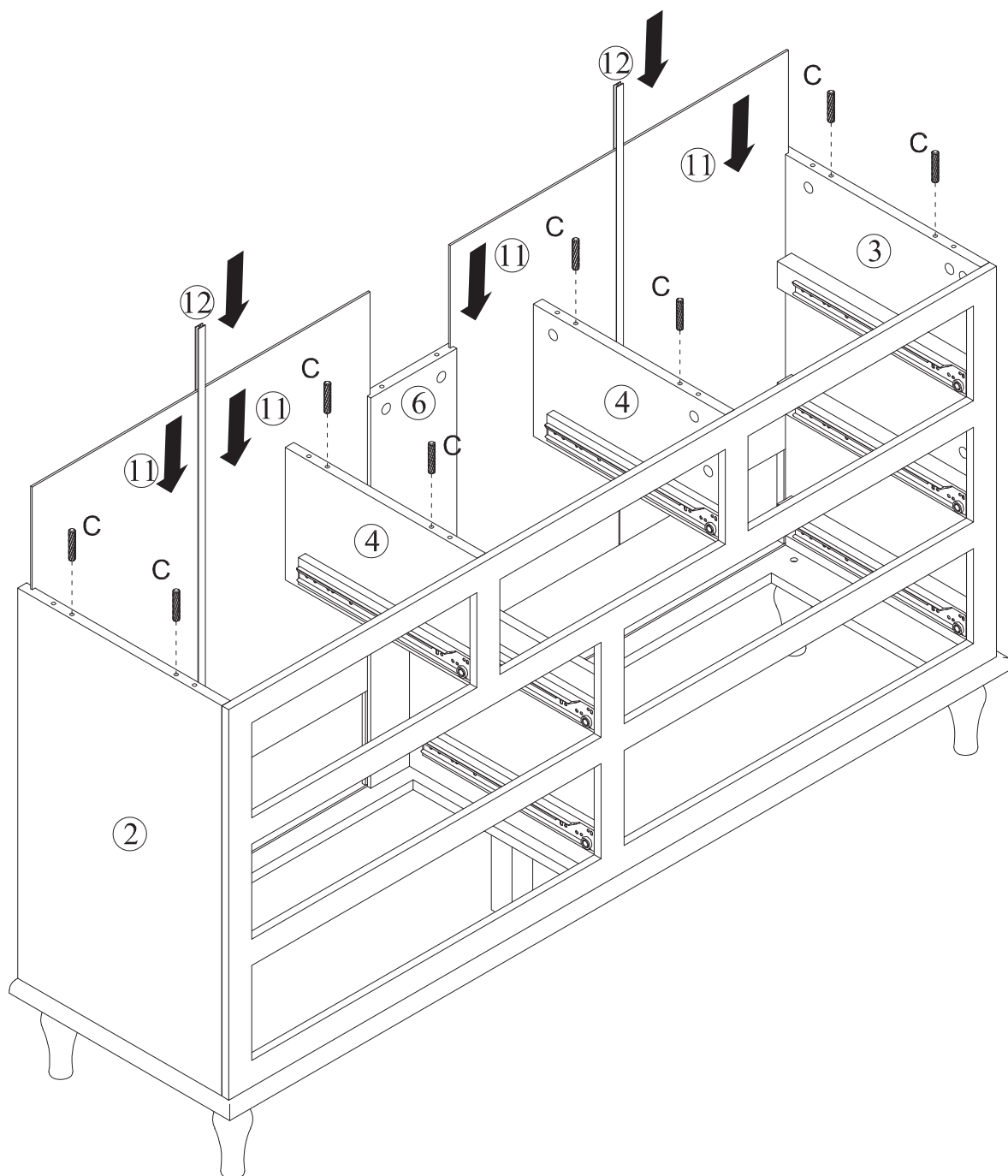


14



Insert part C into parts 2, 4 and 3,
as shown

Insert parts no. 11 and 12 into the
cabinet, as shown in the figure

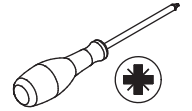


15

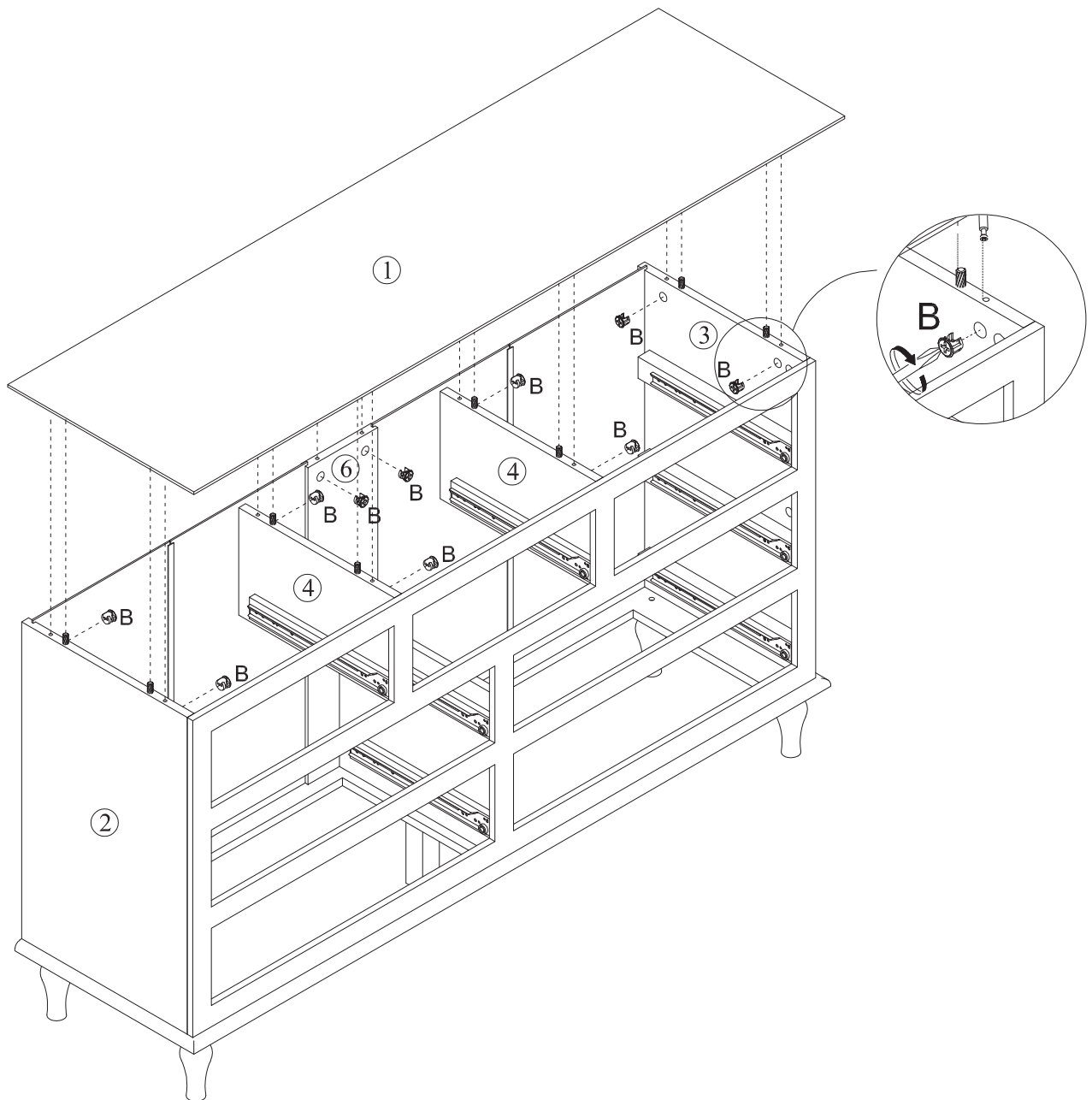
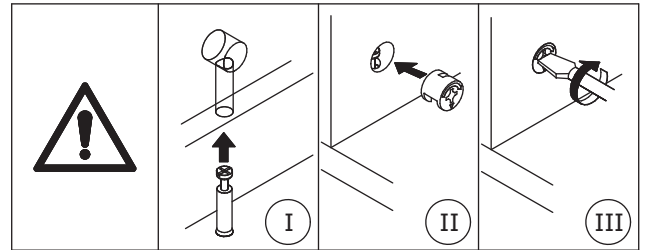
B x 10







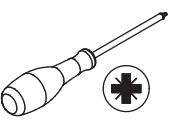
Φ15X10mm



Attach part 1 to part 2、4、6 and 3,
insert cam lock B into part
2、4、6 and 3 as shown, turn cam
locks clockwise to tighten.

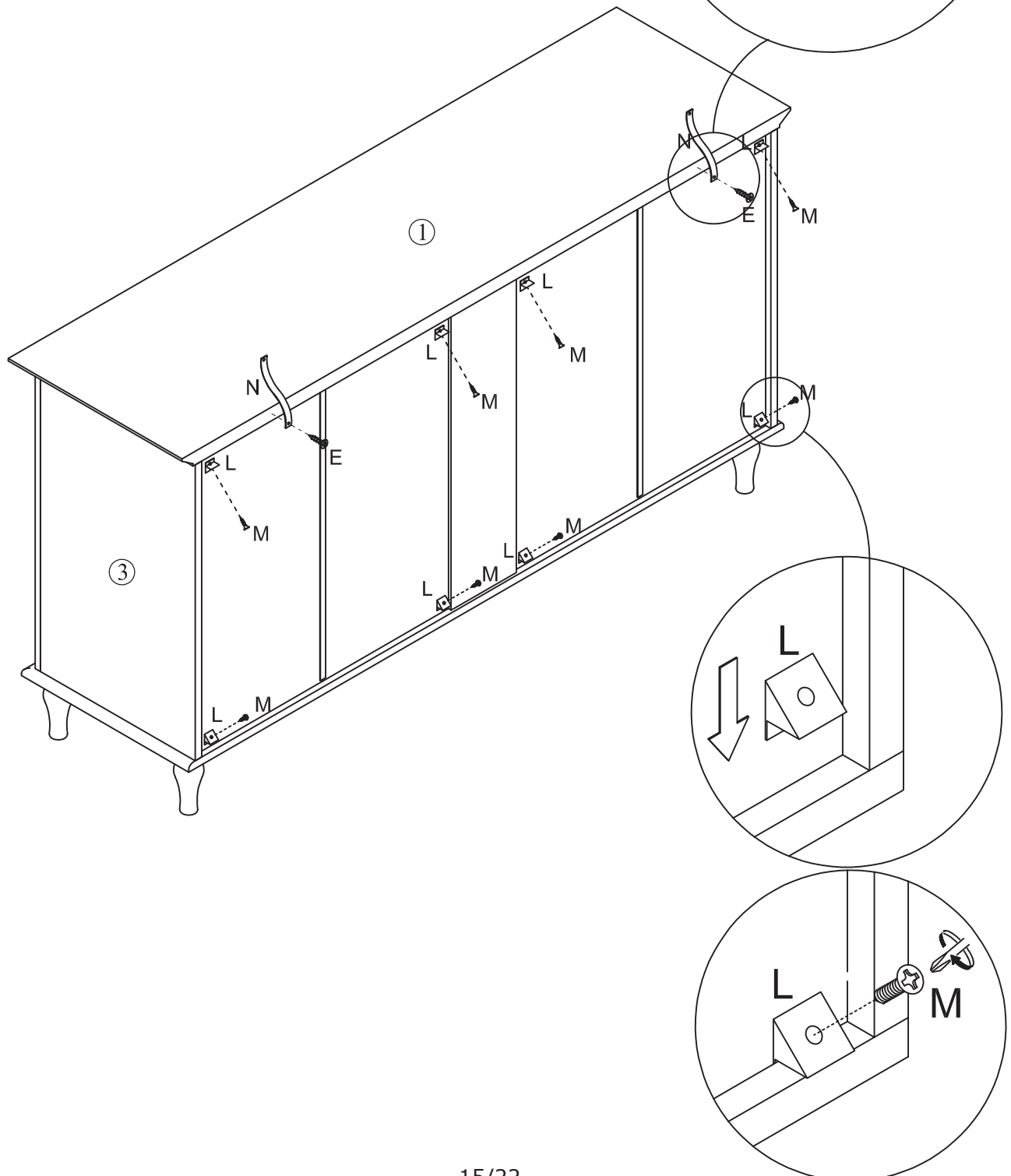


16

E x 2  Φ3X12mm	L x 8 	M x 8  Φ3X16mm	N x 2 	
---	--	---	--	---

Fix part M through part L to the back corner of the cabinet, Rotate clockwise as shown

Fix part E through part N to the back of part no. 1, as shown in the picture, rotate clockwise



17

A x 20

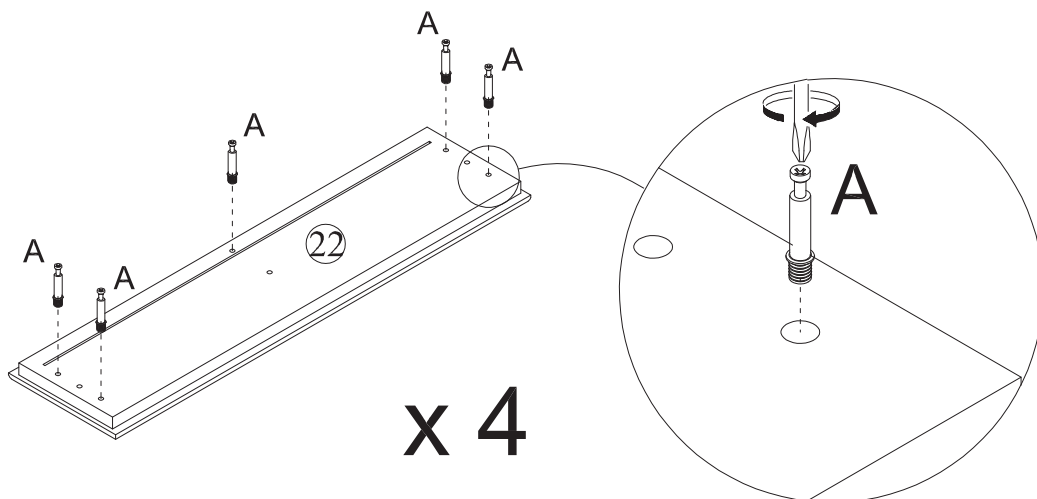
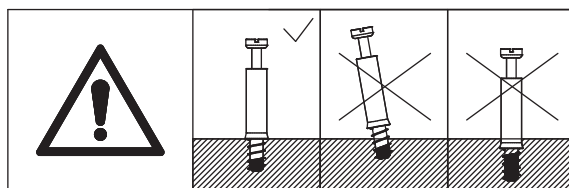


Φ6X35mm



Fix part A to part no. 22 as shown, turn clockwise

Do not use an electric screwdriver, do not force during the rotation of the accessories, otherwise it may cause the board to crack



x 4

18

D x 20

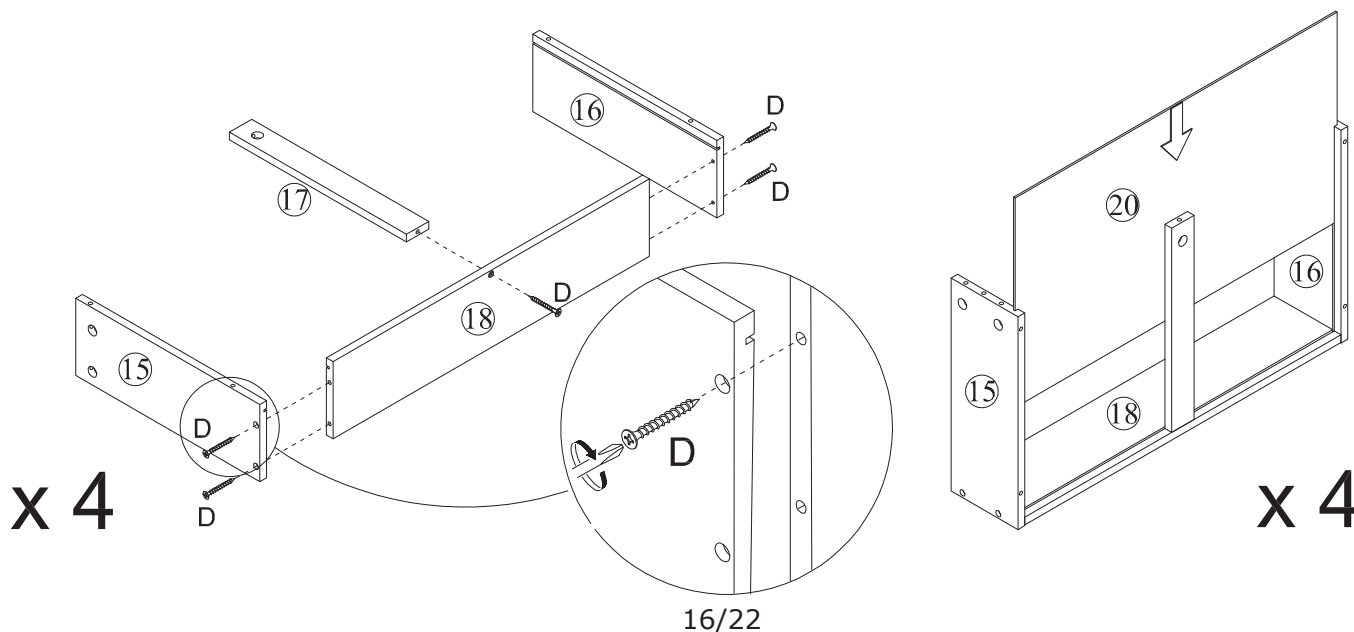


Φ4X30mm



Connect parts 15, 16 and 17 to part no. 18 and fix them with part D, as shown in the picture, and turn clockwise to lock

Insert part 22 into the assembled drawer slot



x 4

x 4

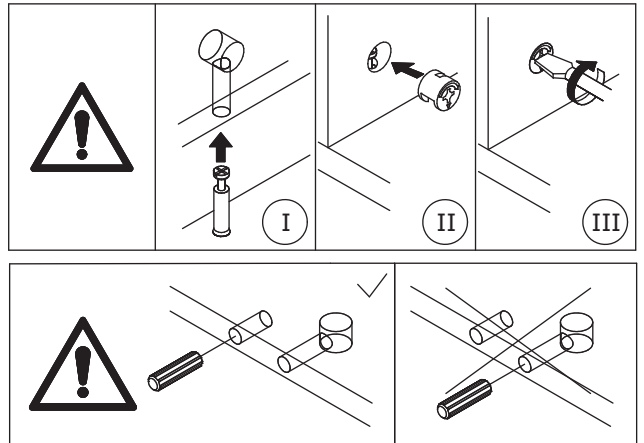
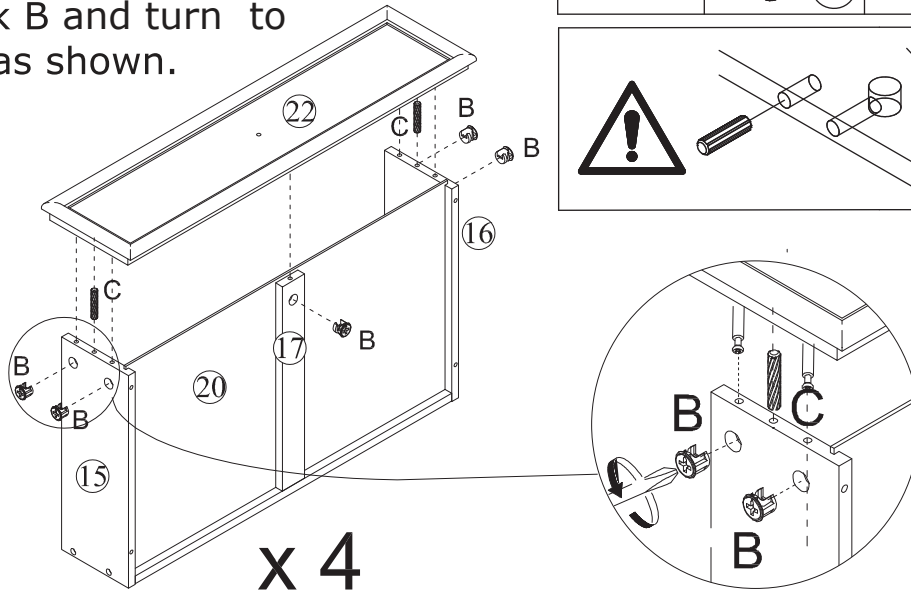
16/22

19



Insert part C into Part 15, 16 and connect part 22 as shown in the figure

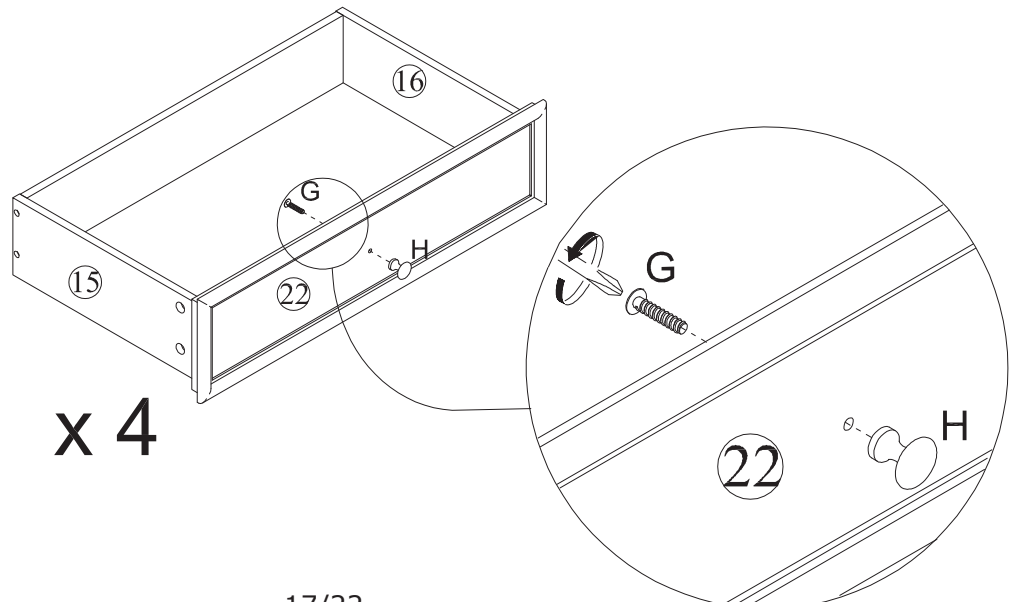
Attach part 22 to assembled cabinet, insert cam lock B and turn to tighten as shown.



20



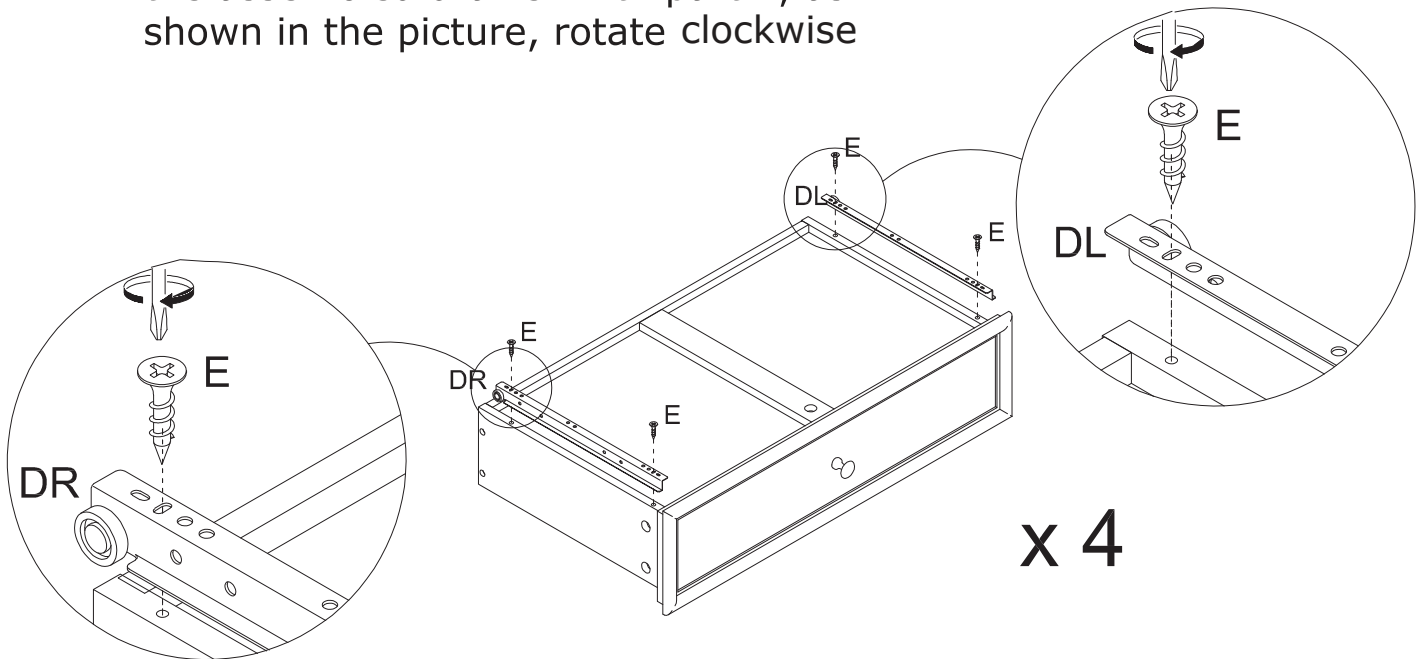
Fix part G through part 22 and part H, as shown in the picture, and turn clockwise to lock



21



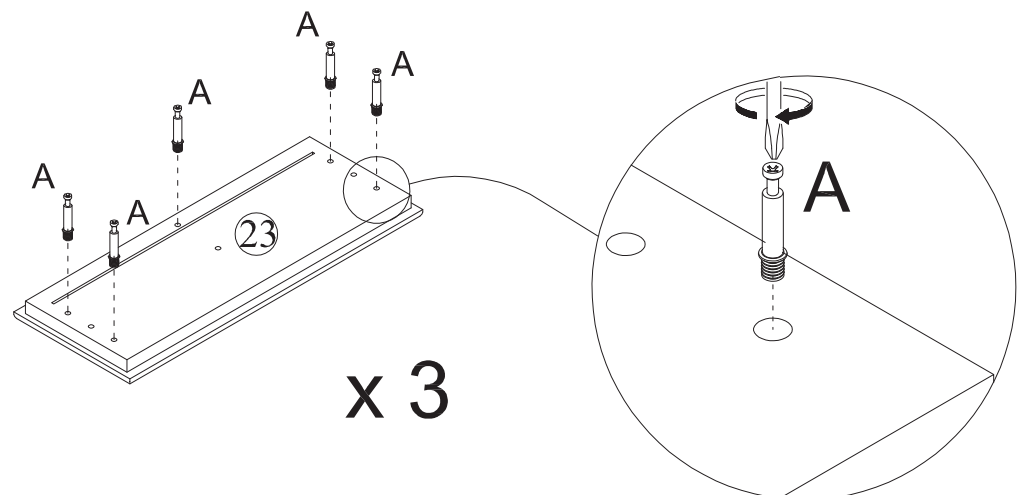
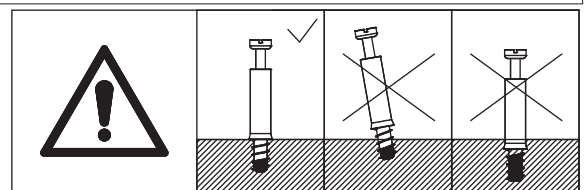
Fix parts DL and DR on the bottom of the assembled drawer with part E, as shown in the picture, rotate clockwise



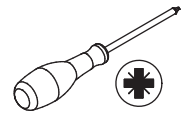
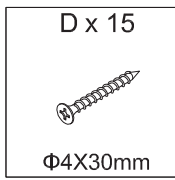
22



Insert quickfit screws A to part 23 as shown.
Do not use an electric screwdriver, do not force during the rotation of the accessories, otherwise it may cause the board to crack

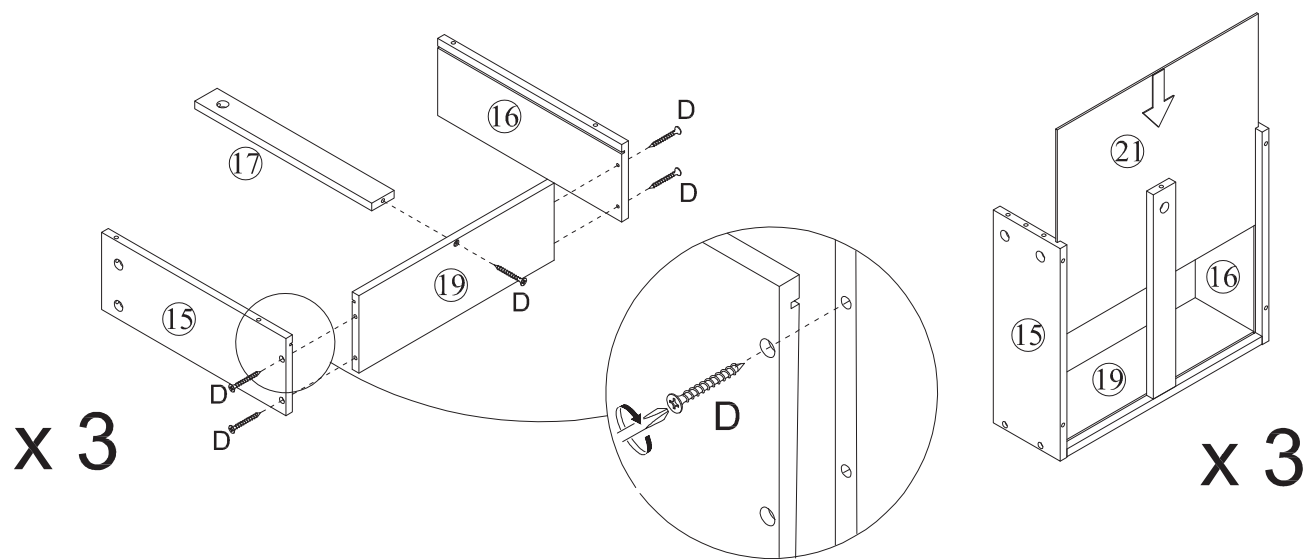


23

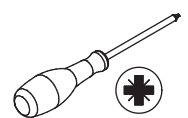
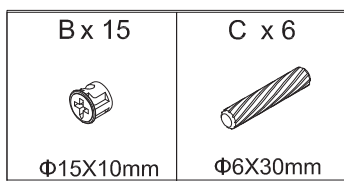


Connect parts 15, 16 and 17 to part no. 19 and fix them with part D, as shown in the picture, and turn clockwise to lock

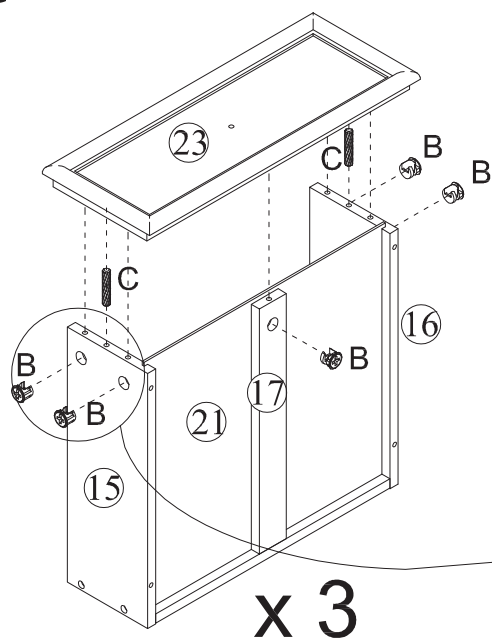
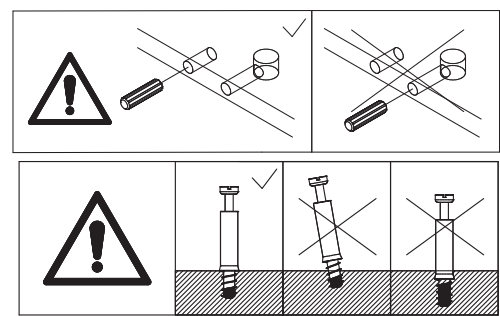
Insert part 21 into the assembled drawer slot



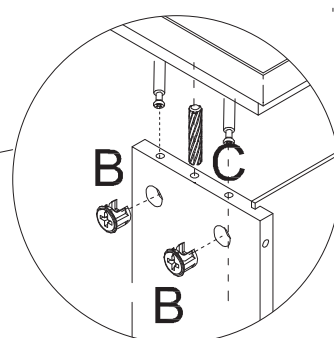
24



Insert part C into Part 15, 16 and connect part 23 as shown in the figure



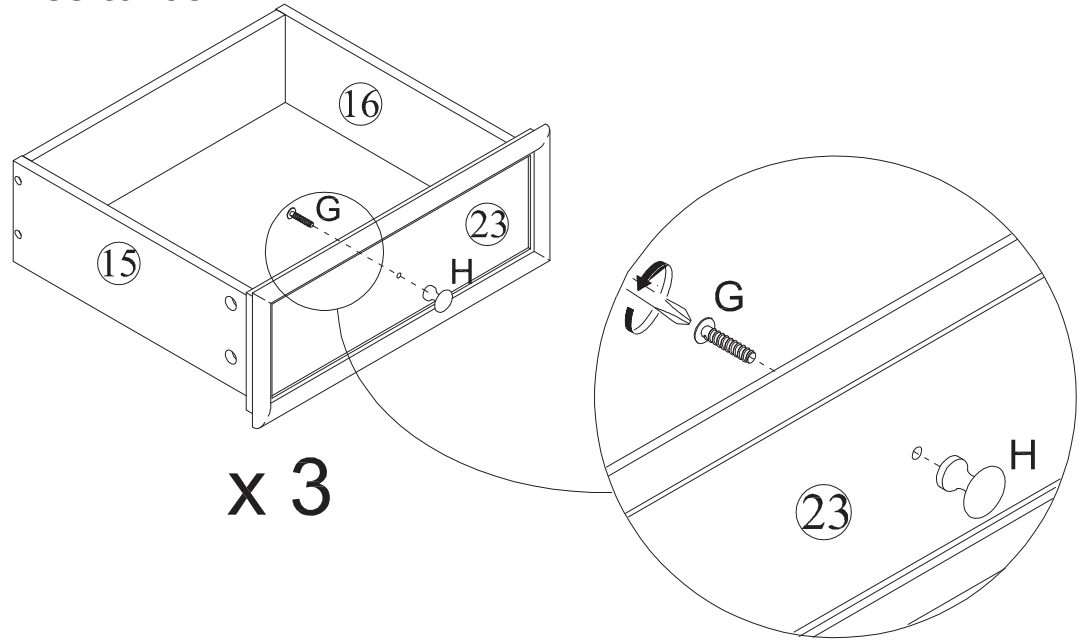
Attach part 23 to assembled cabinet, insert cam lock B and turn to tighten as shown.



25



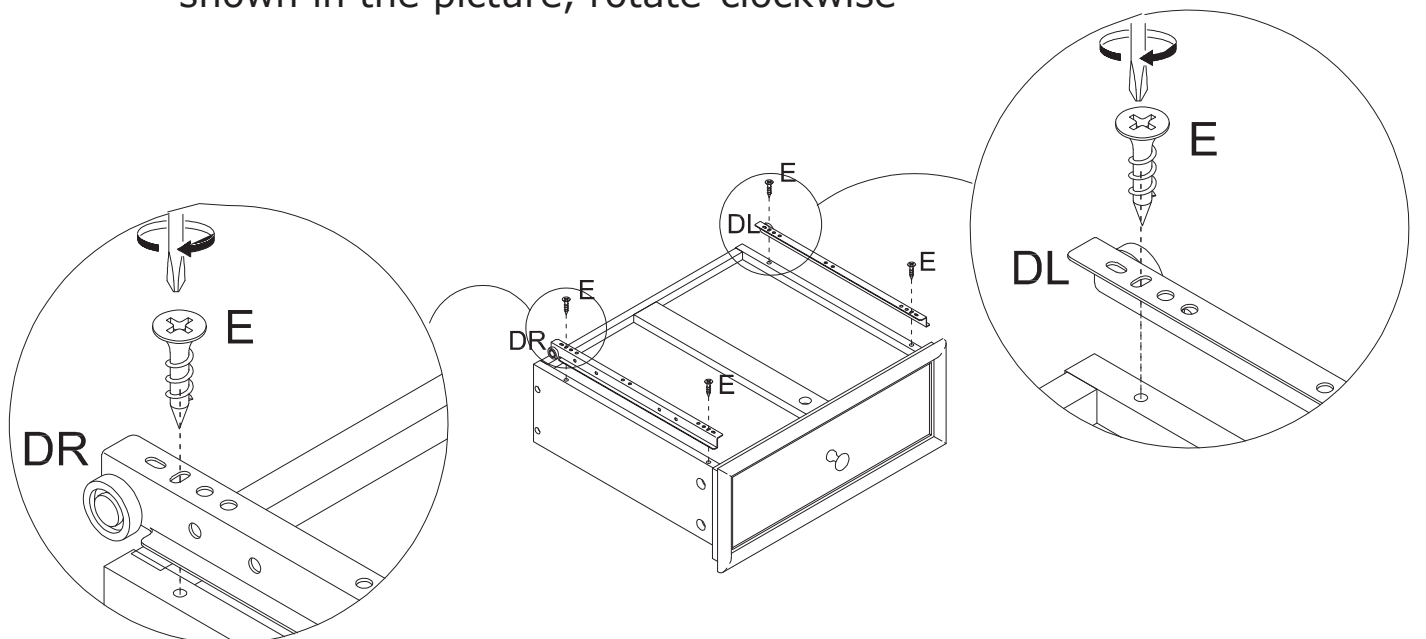
Fix part G through part 23 and part H, as shown in the picture, and turn clockwise to lock



26

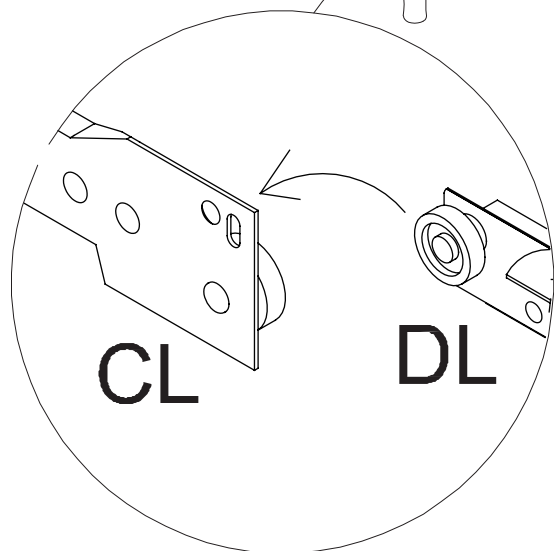
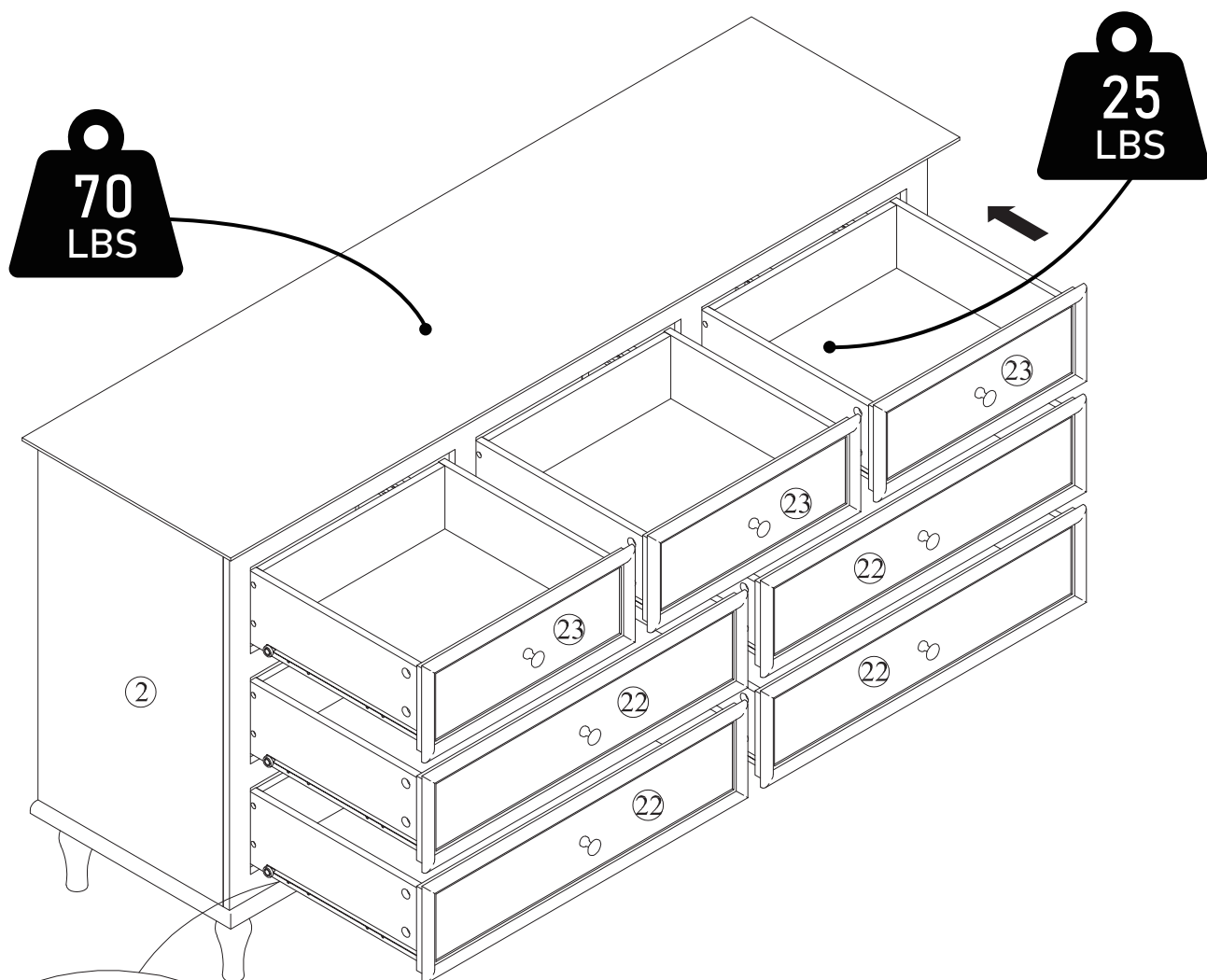


Fix parts DL and DR on the bottom of the assembled drawer with part E, as shown in the picture, rotate clockwise



27

Align the assembled drawer with the guide wheel according to the serial number and put it into the cabinet in turn, as shown in the figure



28

J x 2

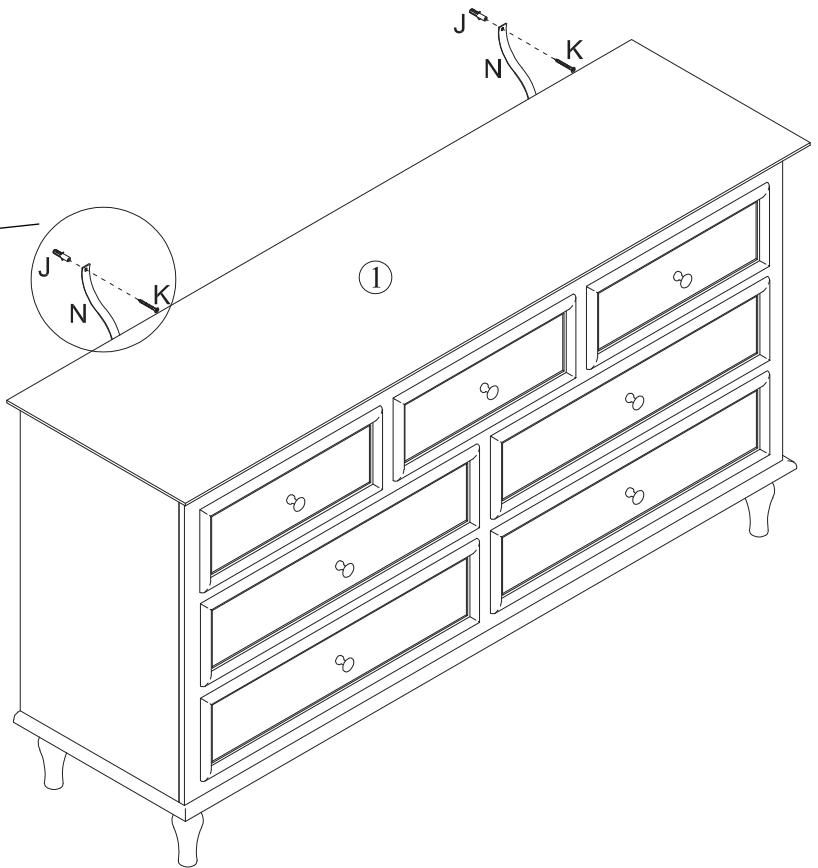
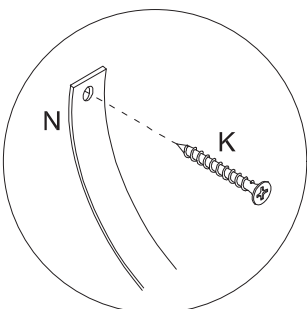
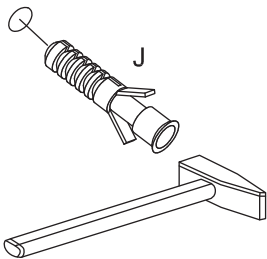
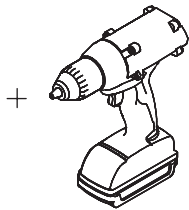
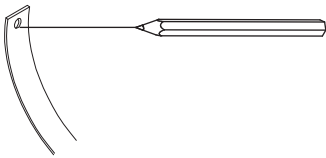
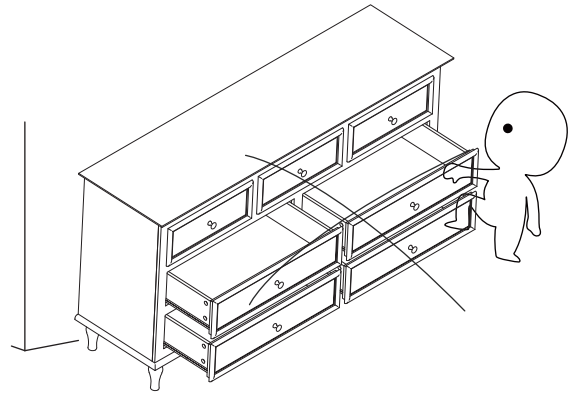
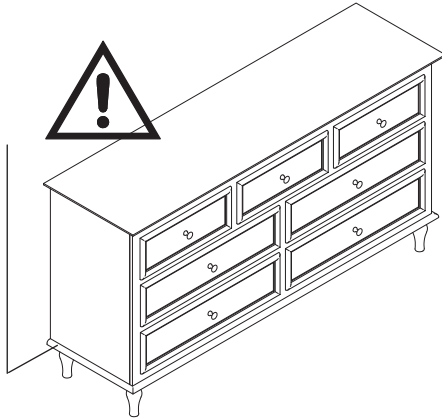
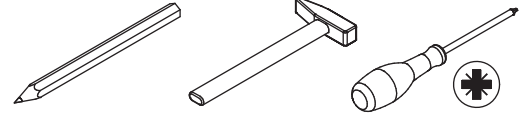


Φ6X30mm

K x 2



Φ4X40mm



WARRANTY

WARRANTY CLAIMS

- There is a 30-day warranty for broken furniture or any other problems that do not work properly. The warranty will start from the date of purchase which must be verified by proof of purchase.
- Before making a claim, we may be able to answer your query, simply call us. Please leave your purchase order number, along with some details of the problem, if you want a replacement part. We will arrange within 48 hours. If there is out of stock, we will reply with a shipping date.
- The product must be used in accordance with the instructions provided. For health reasons.
- For other reasons, if the furniture needs to be returned, it must be cleaned and dried and operated within 30 days of receipt.

Type of Warranty Claim

- Failure to follow the furniture instructions will invalidate the warranty. Attention please.
- Does not include damage during installation, but includes damage during transportation.

Scope of responsibility

- Shall not bear any responsibility for misuse or user damage and / or loss of parts during the installation of furniture.
- After using, the damage and scratches of the furniture are not covered by the warranty.

The Warranty Relates to All Bought in The Us and Covers The Following Areas

- Sheet parts: 1 month from the date of purchase.
- Electrical parts: 1 month from the date of purchase.

RETURNS

CHANGED YOUR MIND AND NEED TO RETURN YOU ITEM?

PLEASE FOLLOW THE BELOW INSTRUCTIONS:

- If you have purchased and have simply changed your mind, follow the retailer's instructions for returns.

DEFECTIVE ITEMS

- If your item is defective in any way, i.e. it doesn't work but you can't identify why, in the first instance, please call us.

DAMAGED ITEMS

- If you receive an order with obvious shipping damage from the retailer, then we suggest the delivery is refused. If the delivery has been accepted and then shipping damage is found, please follow the specific instructions advised by the retailer. In all circumstances please save all packaging material and paperwork for the order. Please be aware that if you dispose of packaging material or attempt to return the merchandise without contacting the fulfiller, you jeopardise your chances of making a claim, and you may not receive a credit for the return.