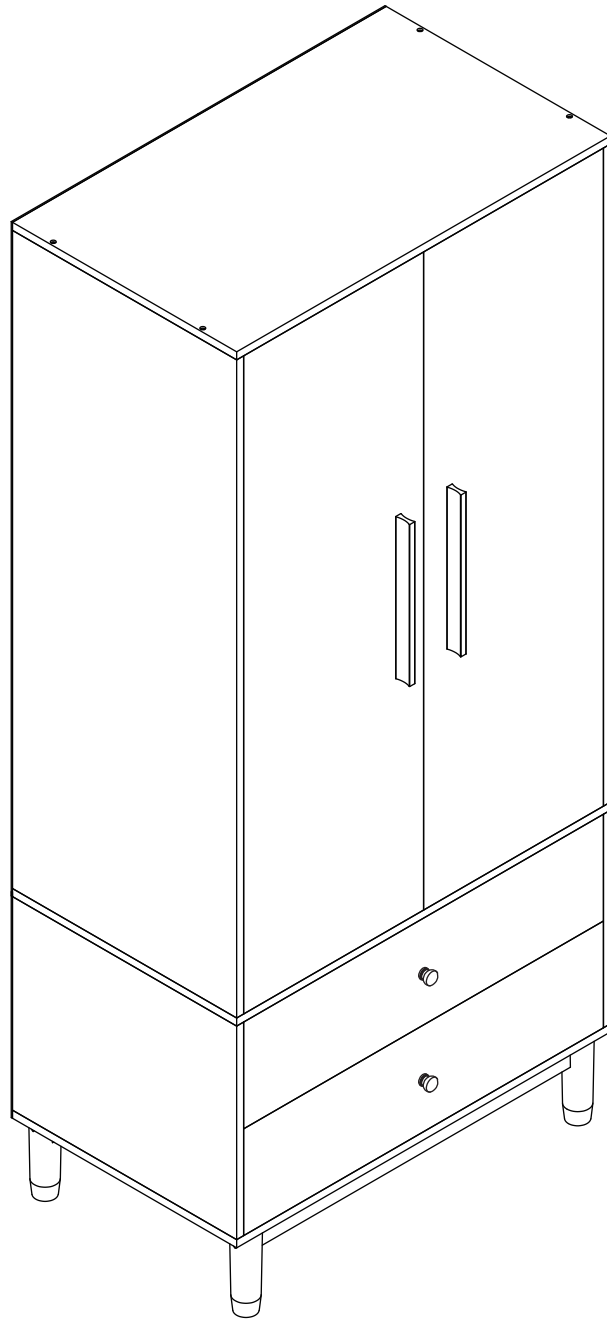
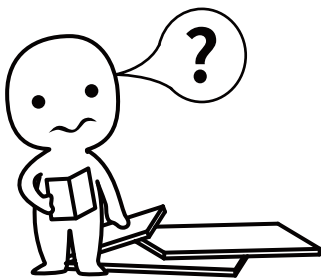


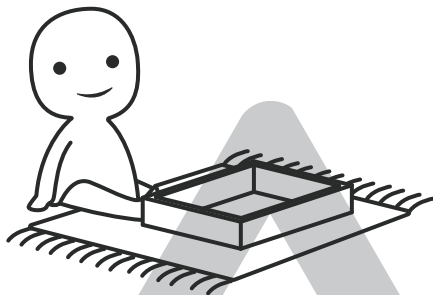
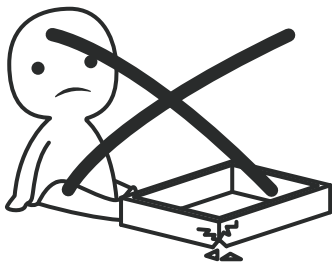
Wardrobe





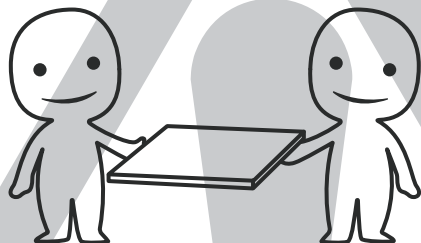
IMPORTANT INFORMATION!

please read the entire manual before starting to assemble and/or using this product. follow the manual thoroughly and keep it for further reference.



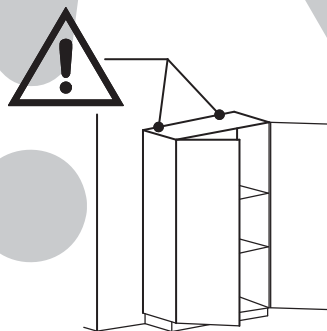
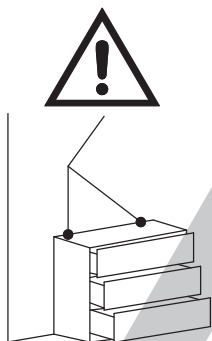
AVOID SCRATCHES!

In order to avoid scratching this furniture should be assembled on a soft layer- could be a rug.



IMPROVE EFFICIENCY !

Try to find a partner to install with you, which can speed up the installation efficiency and shorten the time.



ANTI-TOPPLE WARNING !

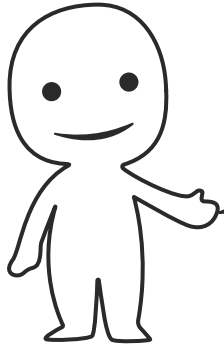
Overturnd furniture can cause serious or fatal crush injuries. To prevent tipping over, be sure to use the wall attachment, if not included with this product. Please purchase the wall attachment that fit your wall. If unsure, seek professional advice. Please read and follow each step of the instructions carefully.

IMPORTANT !

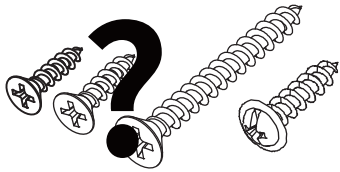
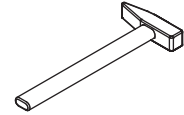
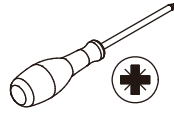
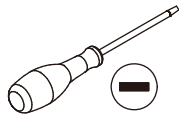
It is important that any product which is assembled using any kind of screw is re-tightened 2 weeks after assembly, and once every 3 months - in order to assure stability through-out the lifespan of the product.

For regular maintenance and cleaning of the product, for the frame, please use a rag dipped in neutral detergent to fully wipe it, and then dry it with a clean rag. For glass materials, wipe with a rag dampened with water glass cleaner, and then dry with a dry rag.

Do not use an electric screwdriver, and do not use too much force when installing, because the board is easy to break.

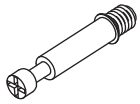


Please prepare the following tools



When installing, please carefully confirm whether each screw corresponds to the manual, accessories with similar shapes can be distinguished by size

Ax26(+1)



Ø6x35mm

Bx26(+1)



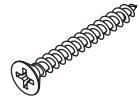
Ø15x10mm

Cx28(+2)



Ø6x30mm

Dx18(+1)



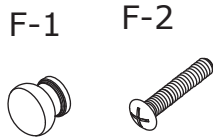
Ø4x35mm

Ex24(+2)



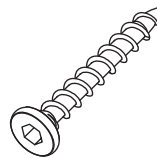
Ø3x12mm

Fx2



Ø4x20mm

Gx12(+1)



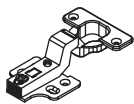
Ø5x40mm

Hx4



380mm

Jx4



Kx8

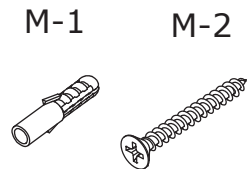


Lx24(+2)



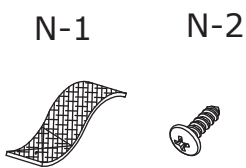
Ø3.5x14mm

Mx2

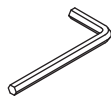


Ø4x35mm

Nx2



Px1

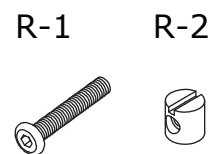


Ø4mm

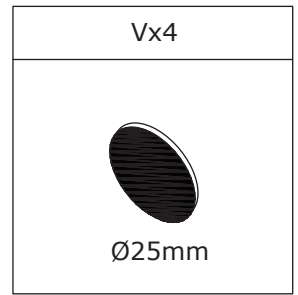
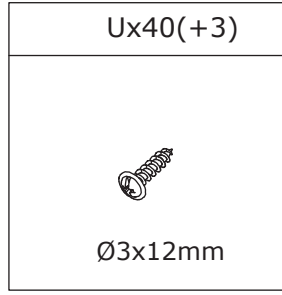
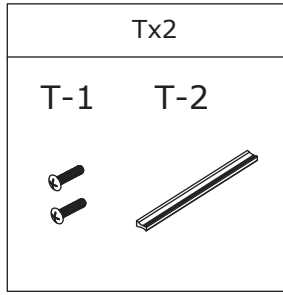
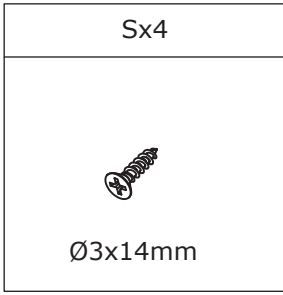
Qx2

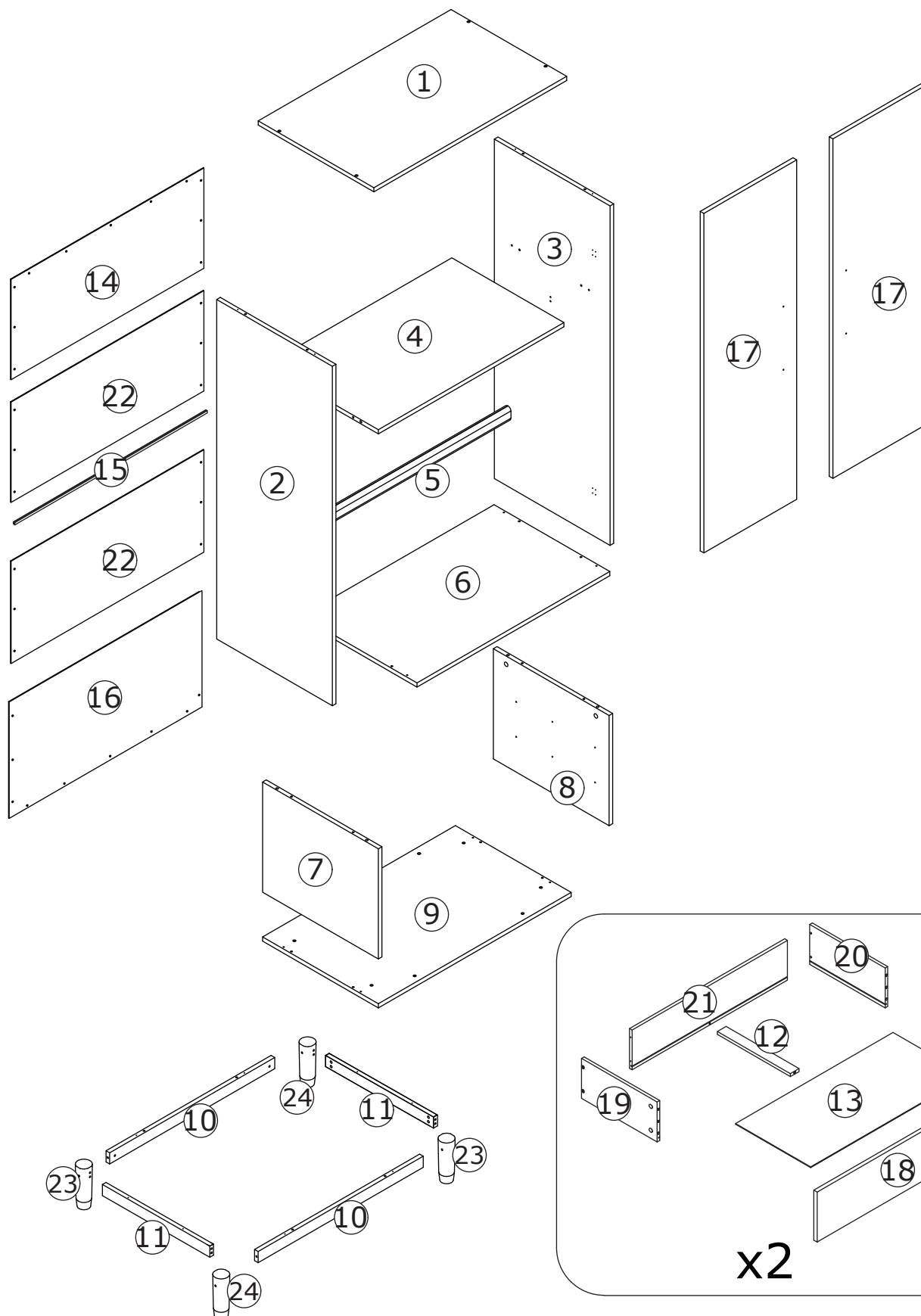


Rx4



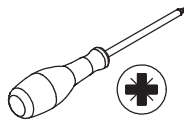


Ø10x12mm

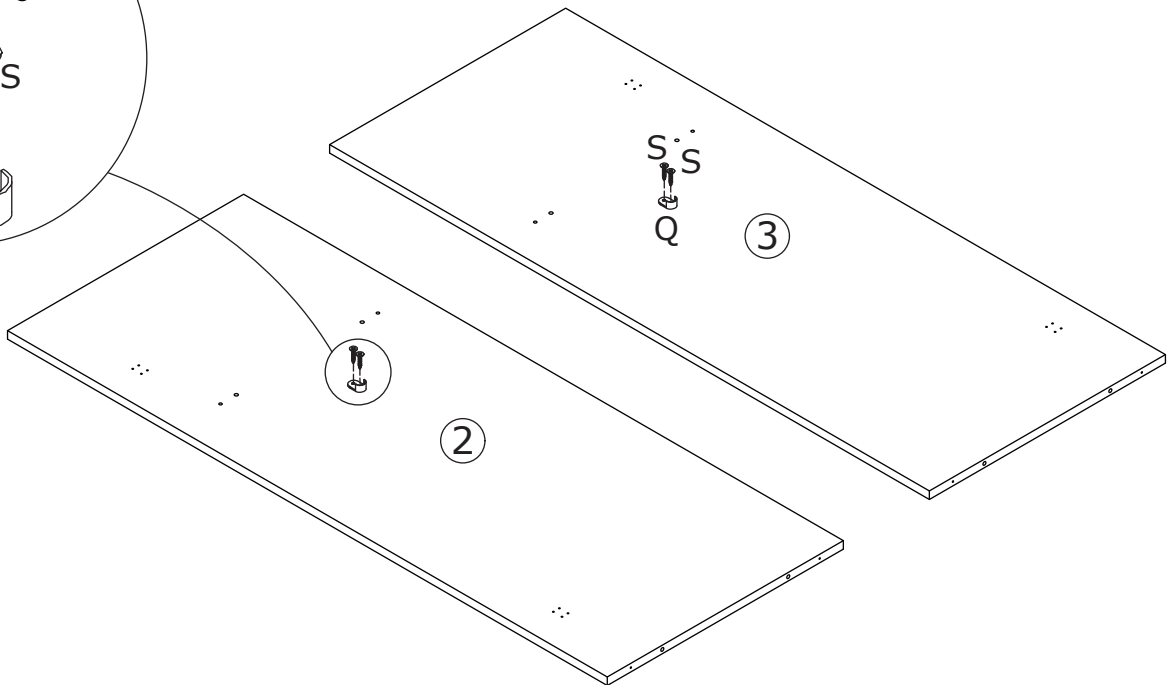
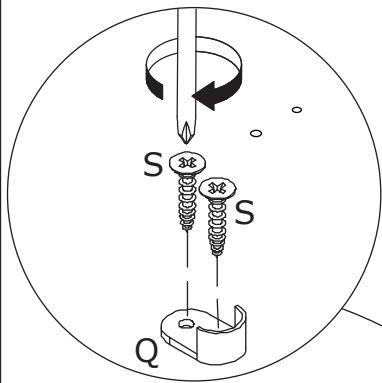




1

<p>Qx2</p> 	<p>Sx4</p>  <p>Ø3x14mm</p>	
----------------------------------------------------------------------------------------------	----------------------------------------------------------------------------------------------------------------	-------------------------------------------------------------------------------------

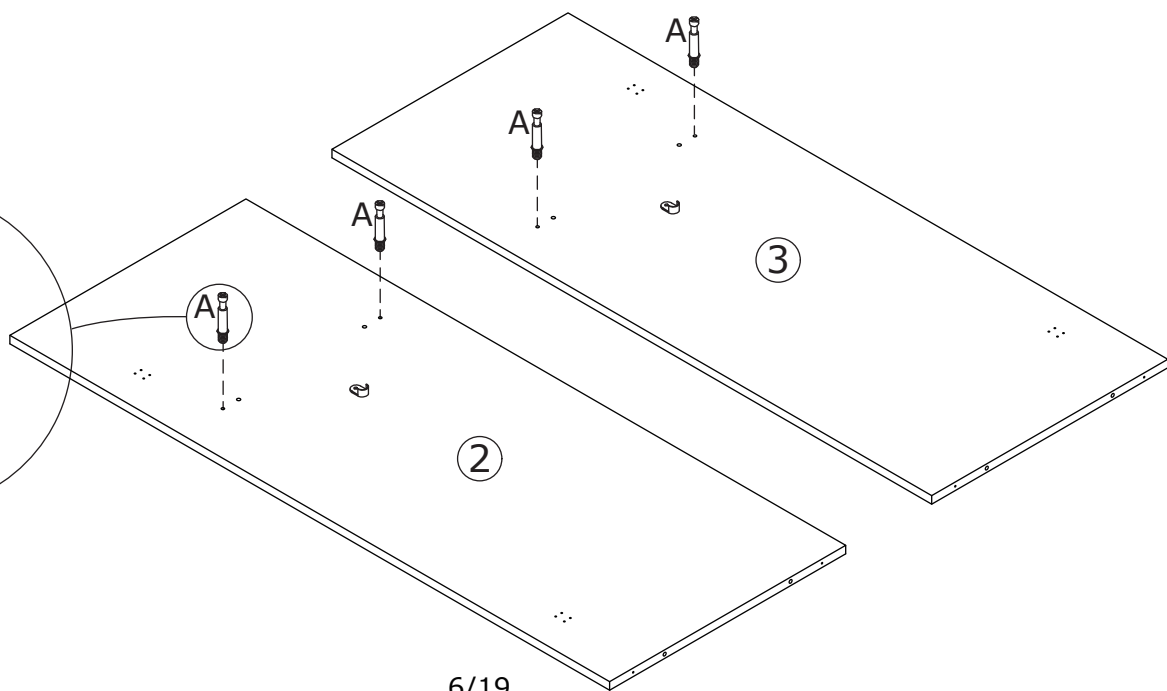
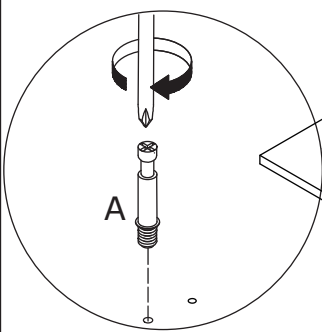
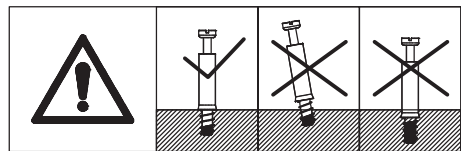
Fix part(S) to plate 2 and 3 using screw(Q) as shown.



2

<p>Ax4</p>  <p>Ø6x35mm</p>	
------------------------------------------------------------------------------------------------------------------	---------------------------------------------------------------------------------------

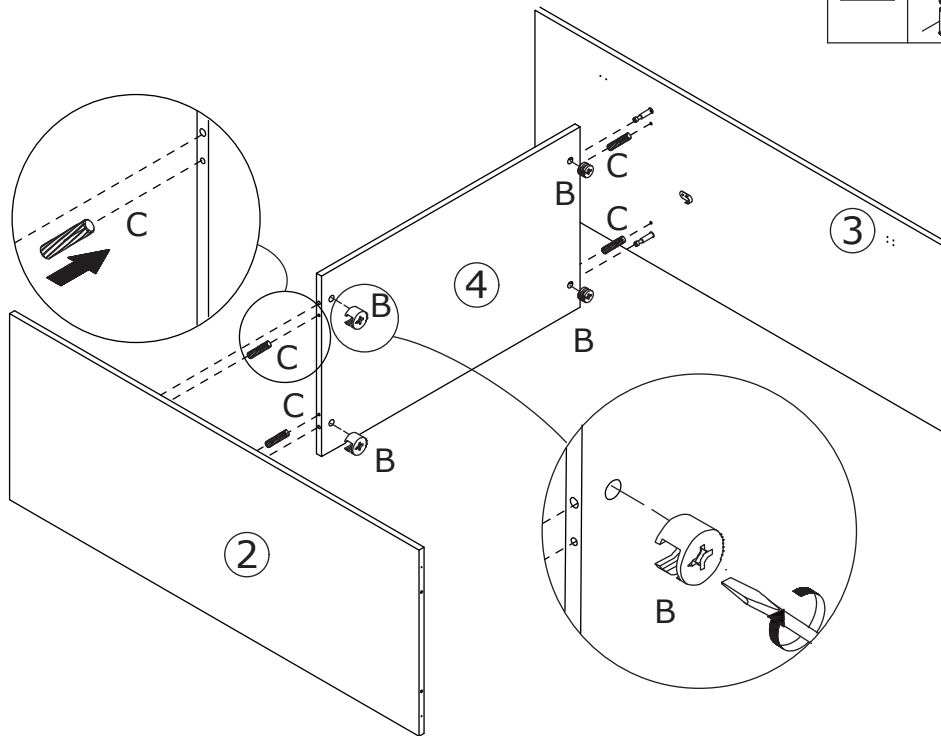
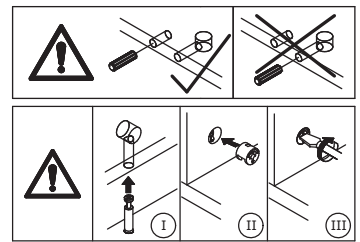
Insert quickfit screw(A) into corresponding holes in plate 2 and 3 with a screwdriver as shown.






3

Bx4  Ø15x10mm	Cx4  Ø6x30mm	
------------------------------------------------------------------------------------------------------	-----------------------------------------------------------------------------------------------------	-------------------------------------------------------------------------------------

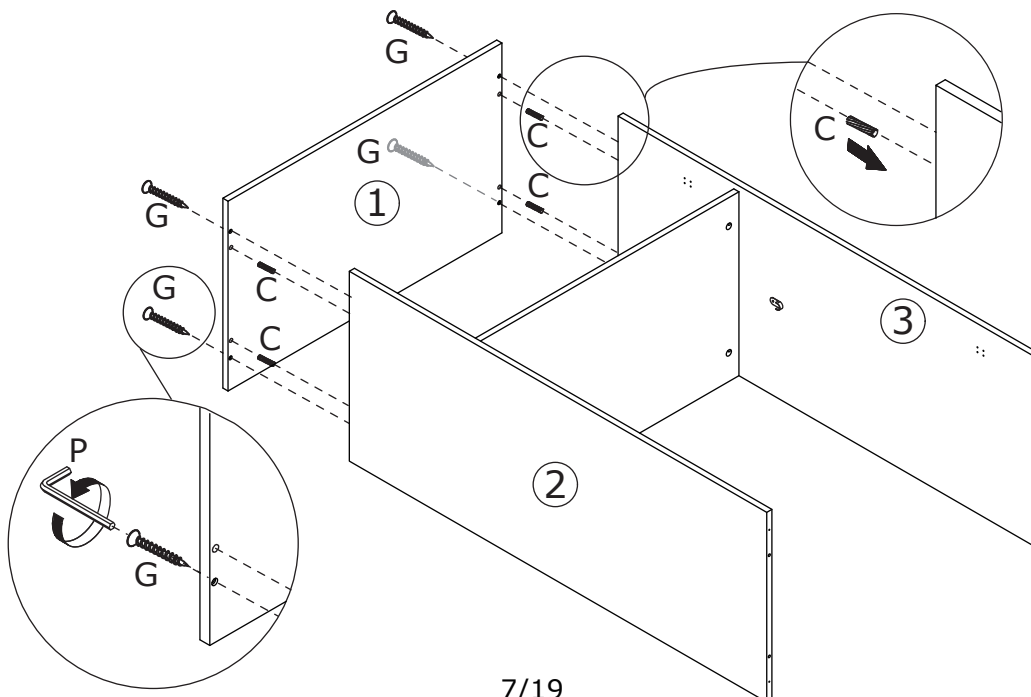
Connect plate 2 and 3 with plate 4 using wooden dowel(C) and turn cam lock(B) in plate 4 clockwise to tighten as shown.



4

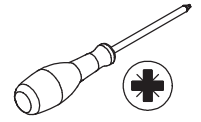
Cx4  Ø6x30mm	Gx4  Ø5x40mm	Px1  Ø4mm	
-------------------------------------------------------------------------------------------------------	-------------------------------------------------------------------------------------------------------	----------------------------------------------------------------------------------------------------	--

Attach plate 1 to plate 2 and 3 using wooden dowel(C) and fix with screw(G) as shown.

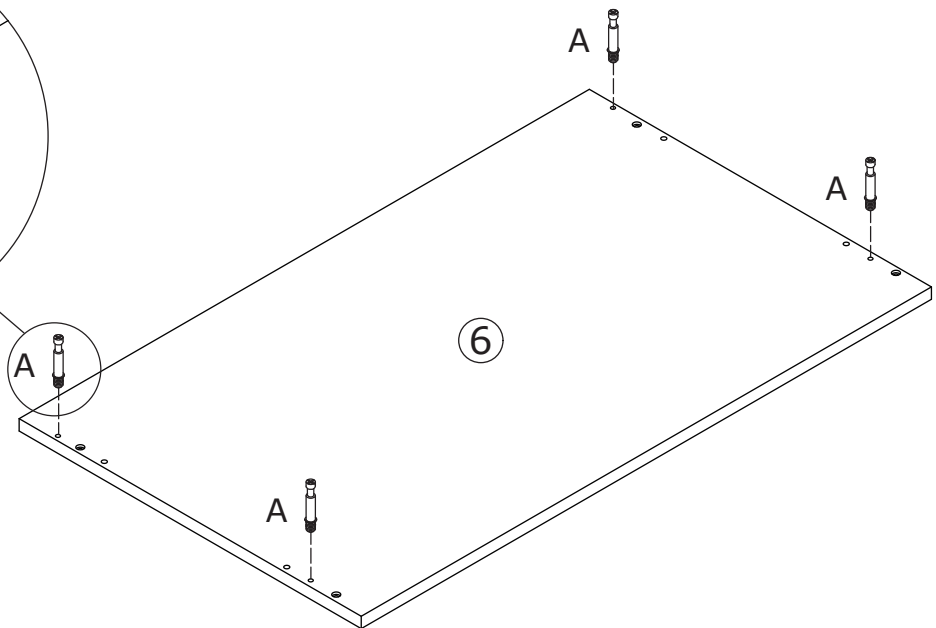
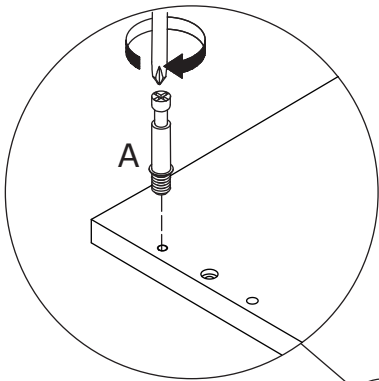
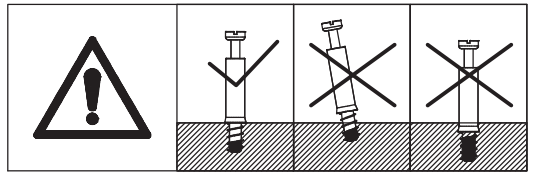


5

Ax4
Ø6x35mm



Insert quickfit screw(A) into corresponding holes in plate 6 with a screwdriver as shown.



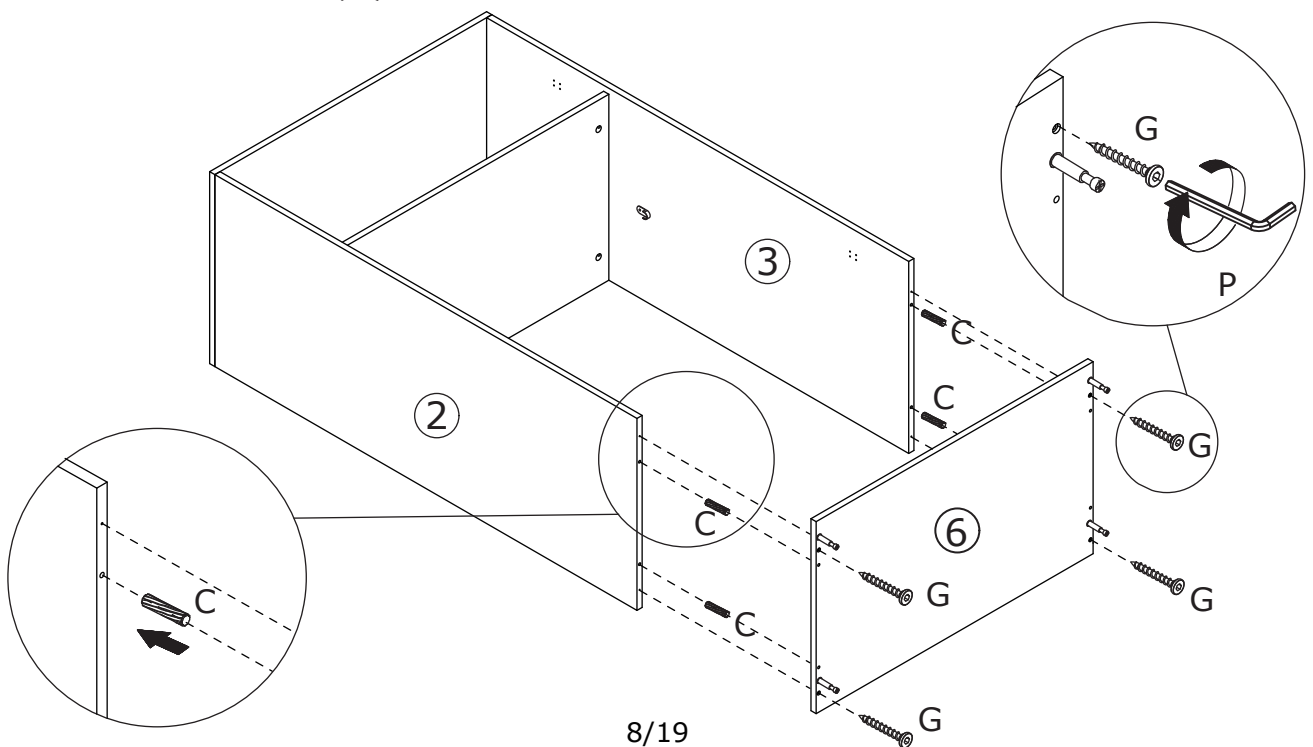
6

Cx4
Ø6x30mm


Gx4
Ø5x40mm

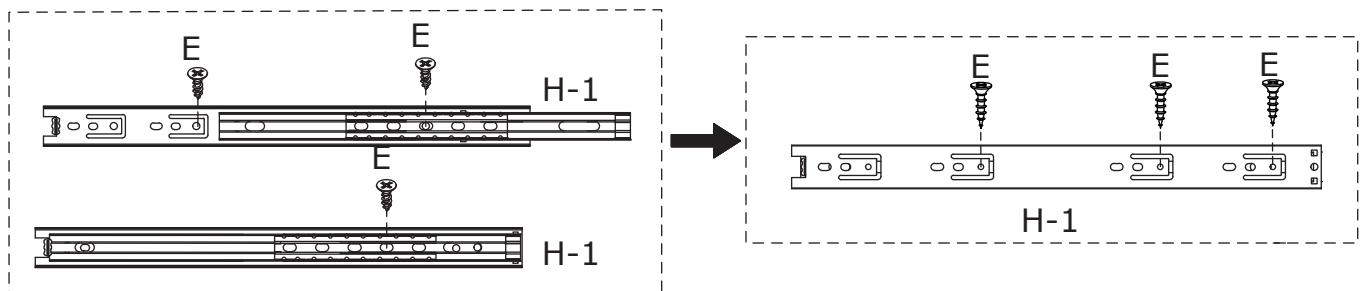
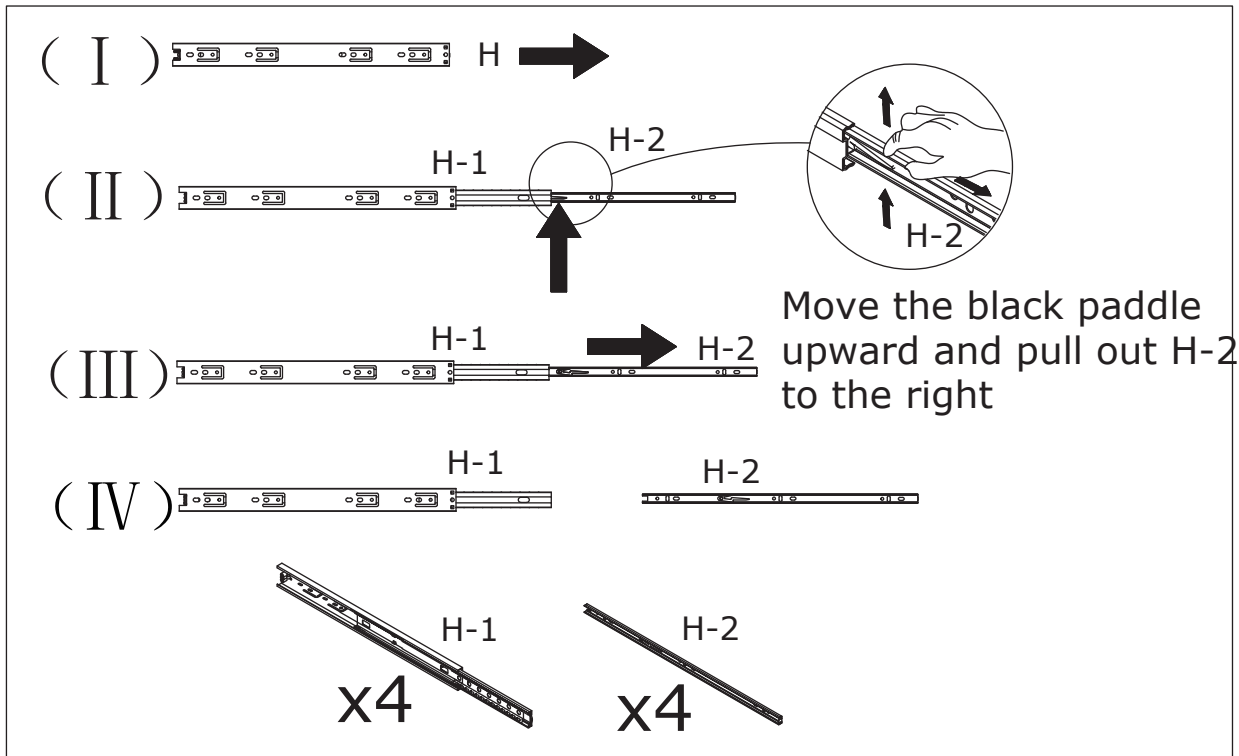
Px1
Ø4mm

Attach plate 6 to plate 2 and 3 using wooden dowel(C) and fix with screw(G) as shown.

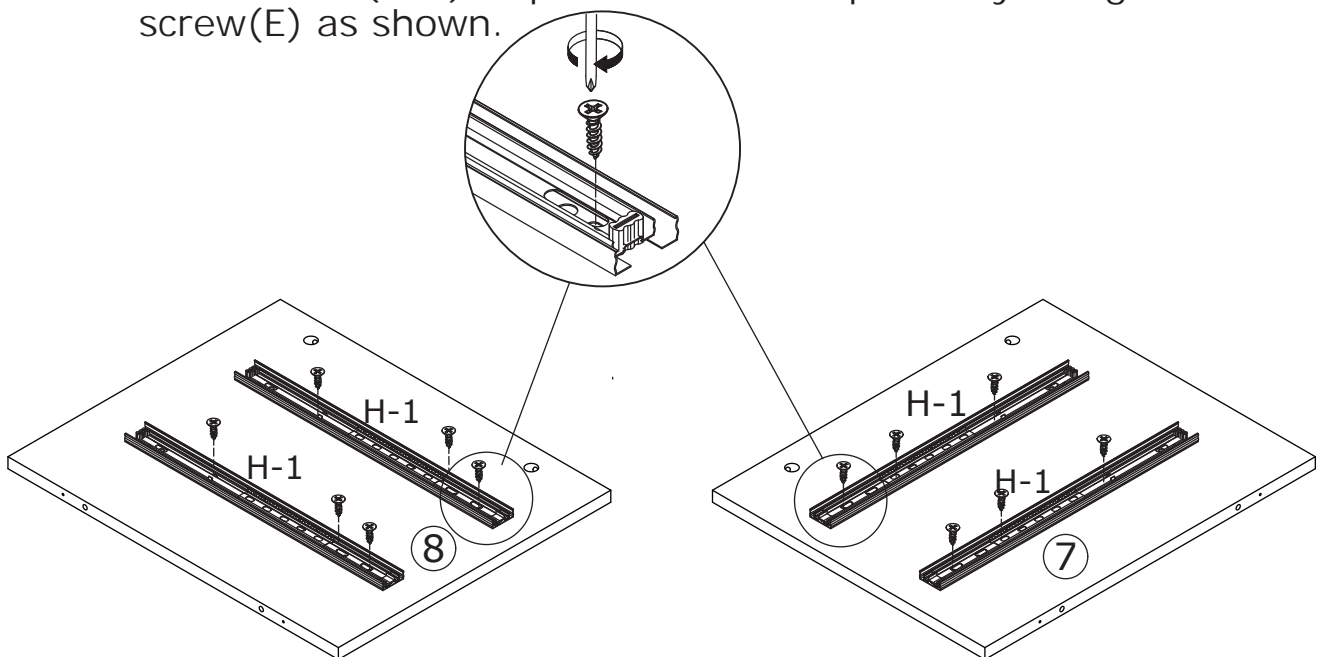


7



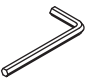
<p>Ex12  Ø3x12mm</p>	<p>Hx4  380mm</p>	
-------------------------------------------------------------------------------------------------------------------------	----------------------------------------------------------------------------------------------------------------------	-------------------------------------------------------------------------------------



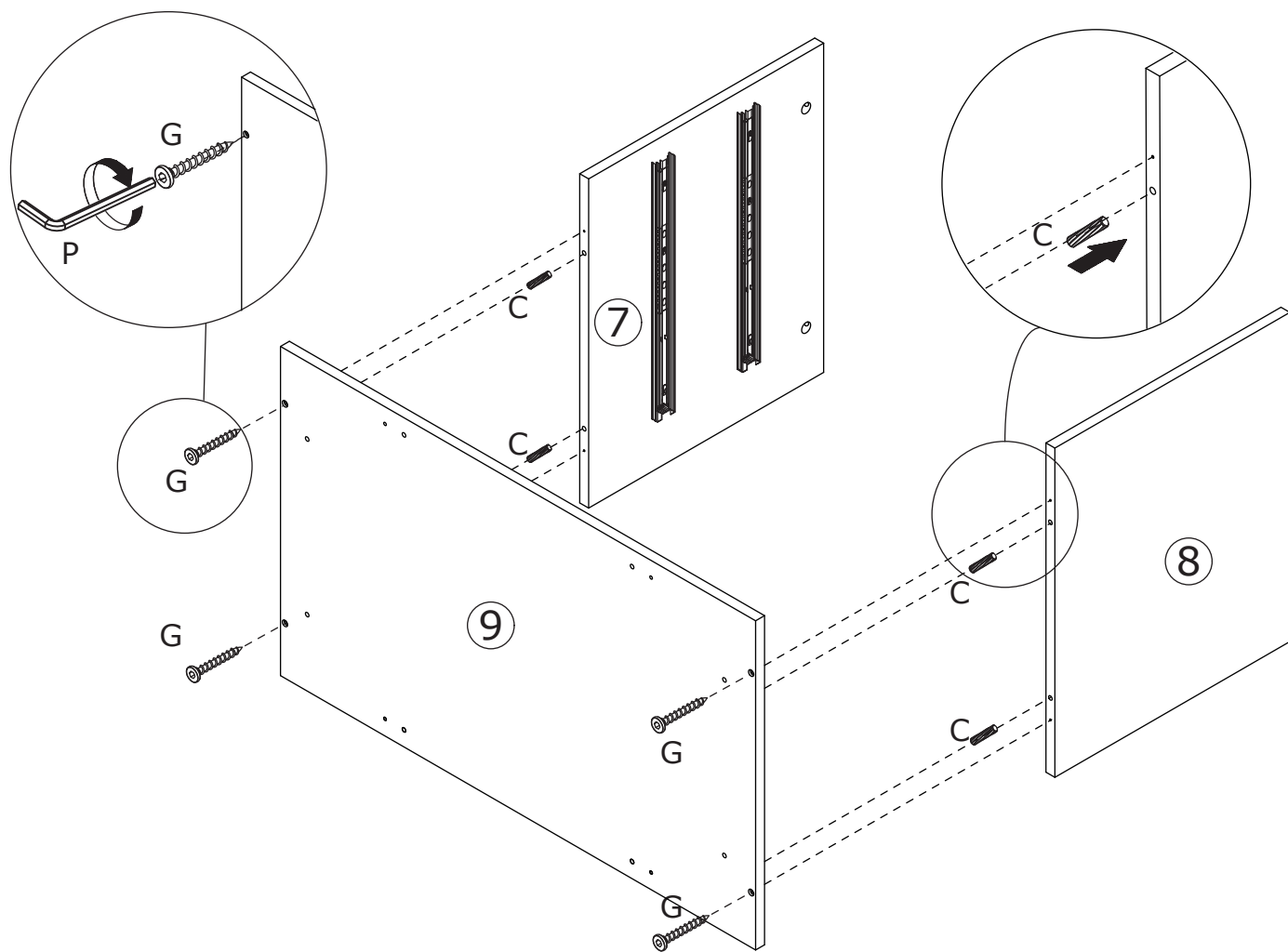
Fix slide rail(H-1) to plate 7 and 8 respectively using screw(E) as shown.



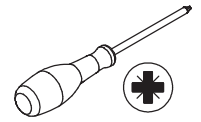
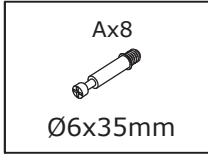
8

Cx4  Ø6x30mm	Gx4  Ø5x40mm	Px1  Ø4mm	
-----------------------------------------------------------------------------------------------------	-----------------------------------------------------------------------------------------------------	--------------------------------------------------------------------------------------------------	--

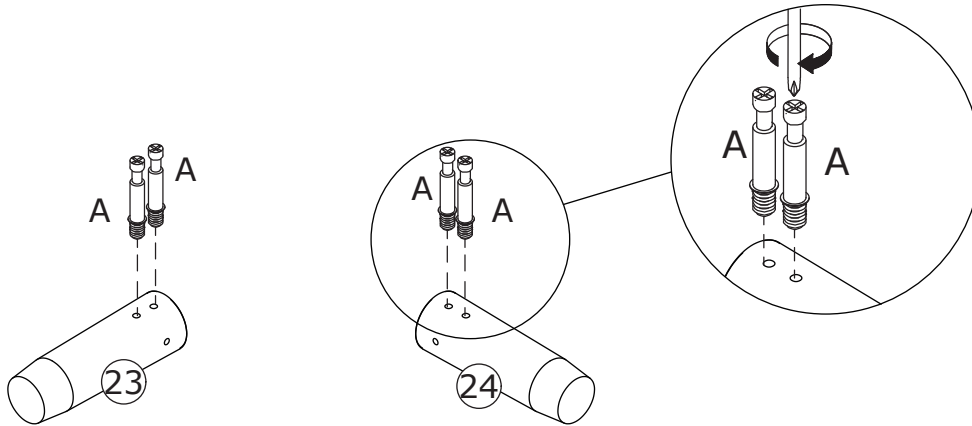
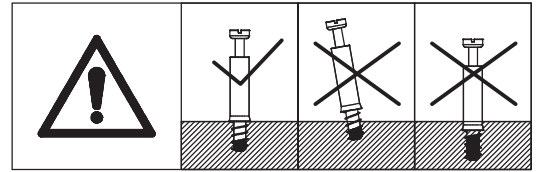
Attach plate 9 to plate 7 and 8 using wooden dowel(C) and fix with screw(G) as shown.



9

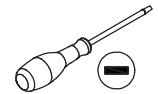
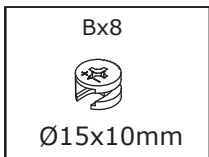


Insert quickfit screw(A) into corresponding holes in leg 23 and 24 with a screwdriver as shown.

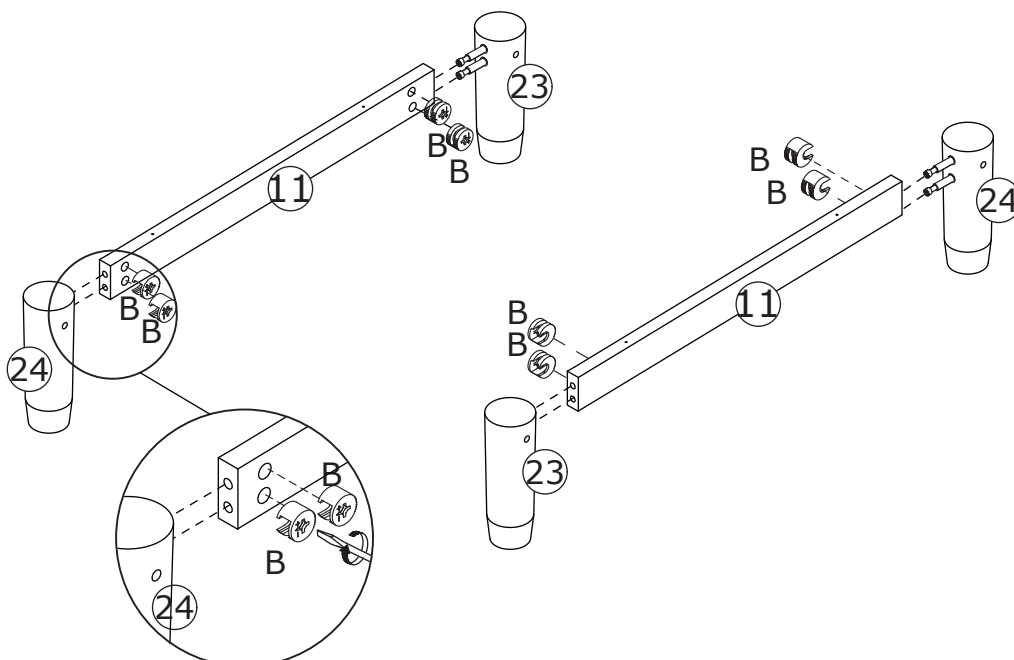
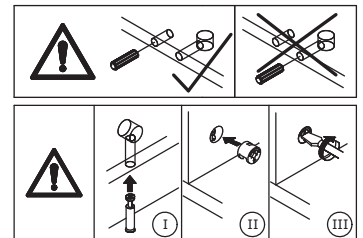


x2

10



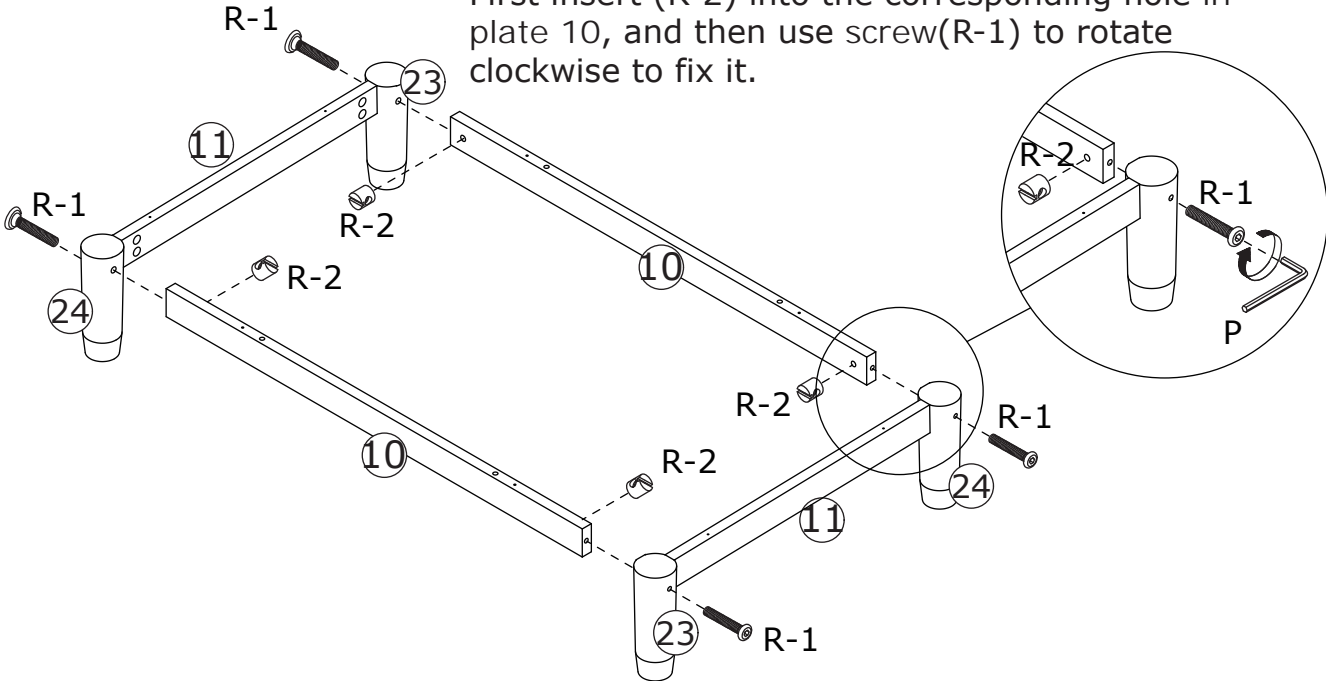
Connect leg 23 and 24 with plate 11, and turn cam lock(B) in plate 11 clockwise to tighten as shown.



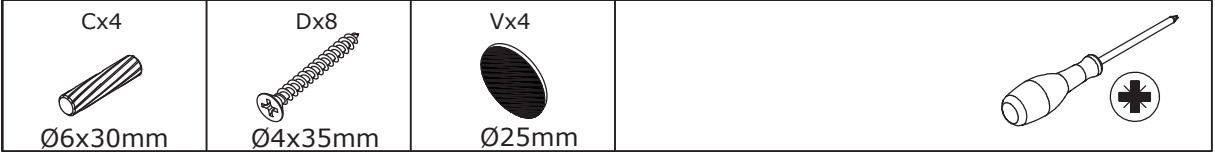
11



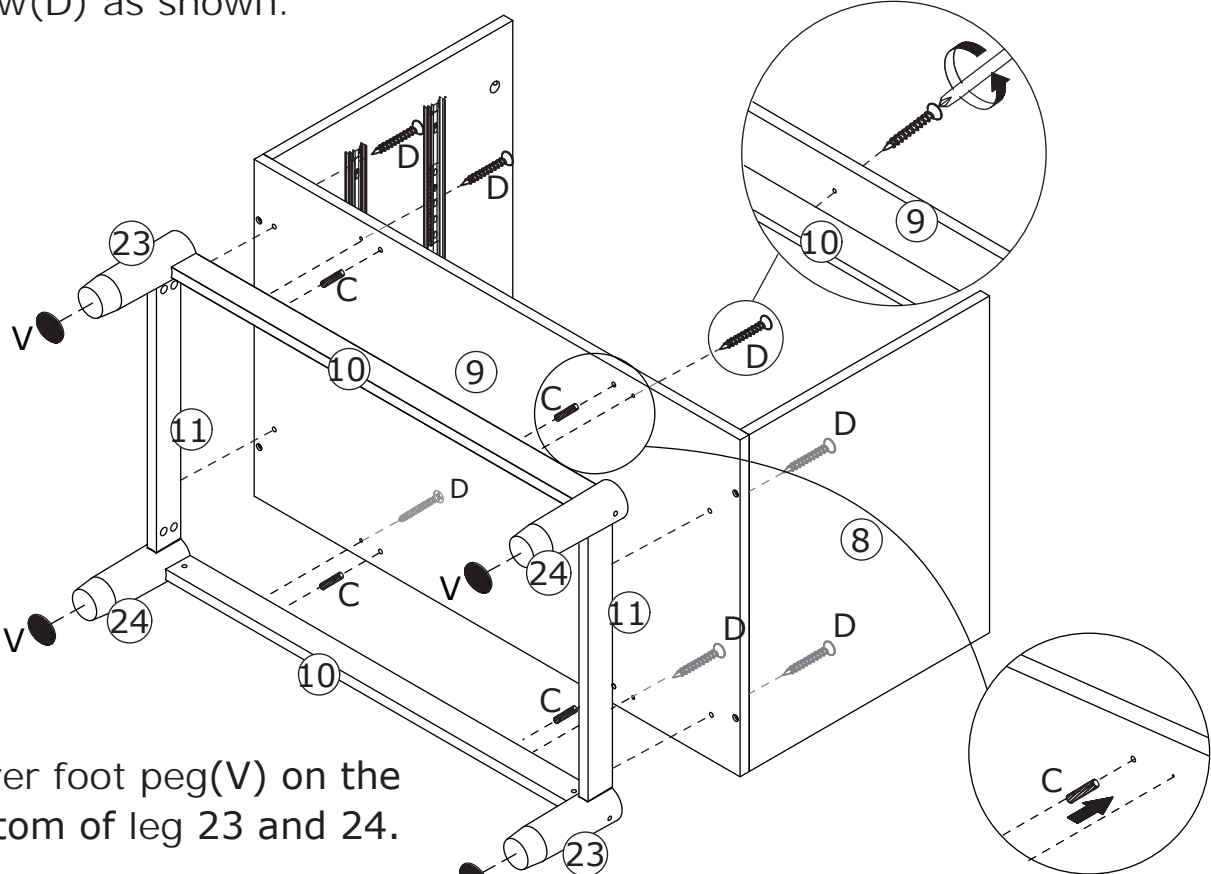
First insert (R-2) into the corresponding hole in plate 10, and then use screw(R-1) to rotate clockwise to fix it.



12



Attach the leg base to plate 9 using wooden dowel(C) and fix with screw(D) as shown.



Cover foot peg(V) on the bottom of leg 23 and 24.

13

Bx4

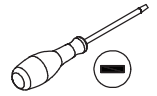


Ø15x10mm

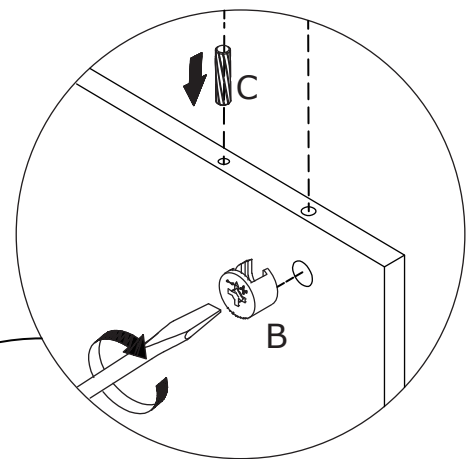
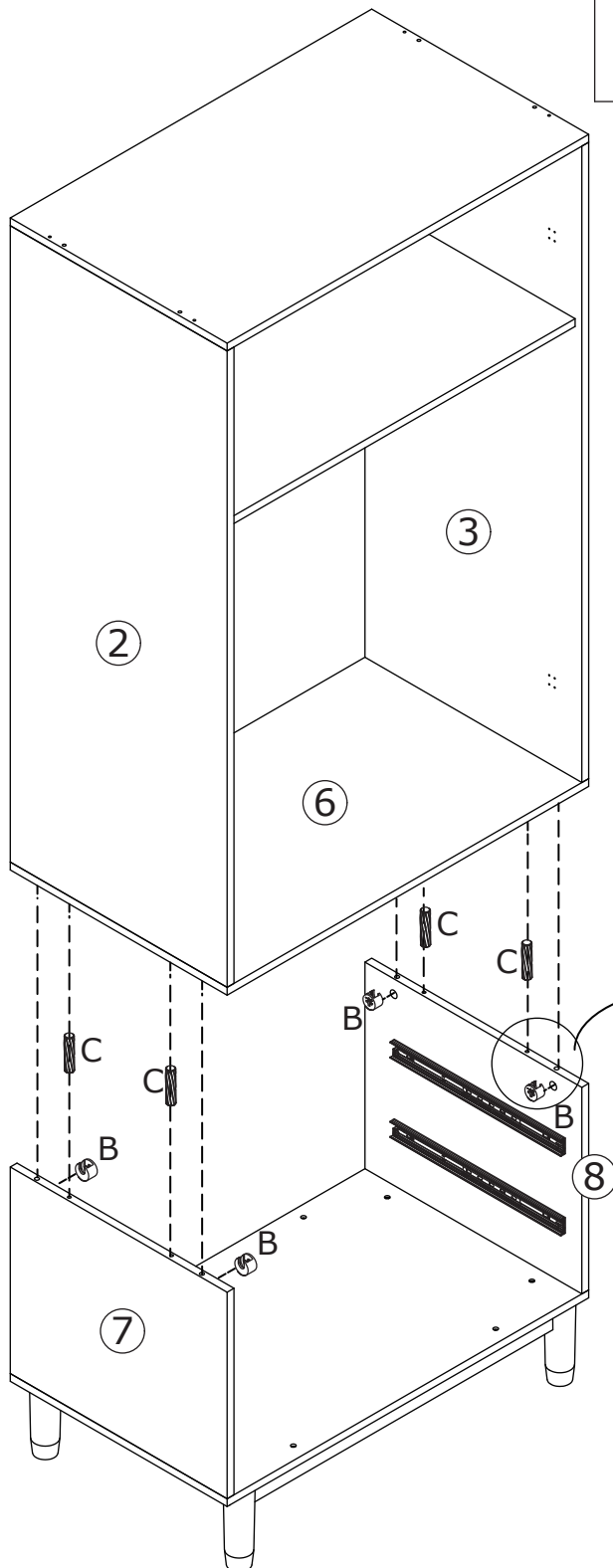
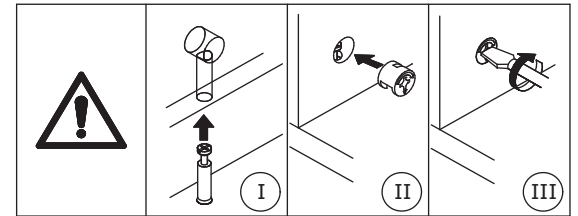
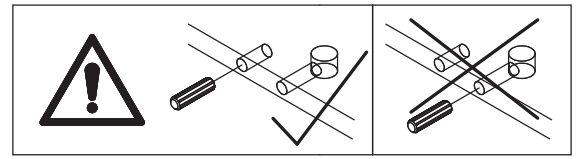
Cx4



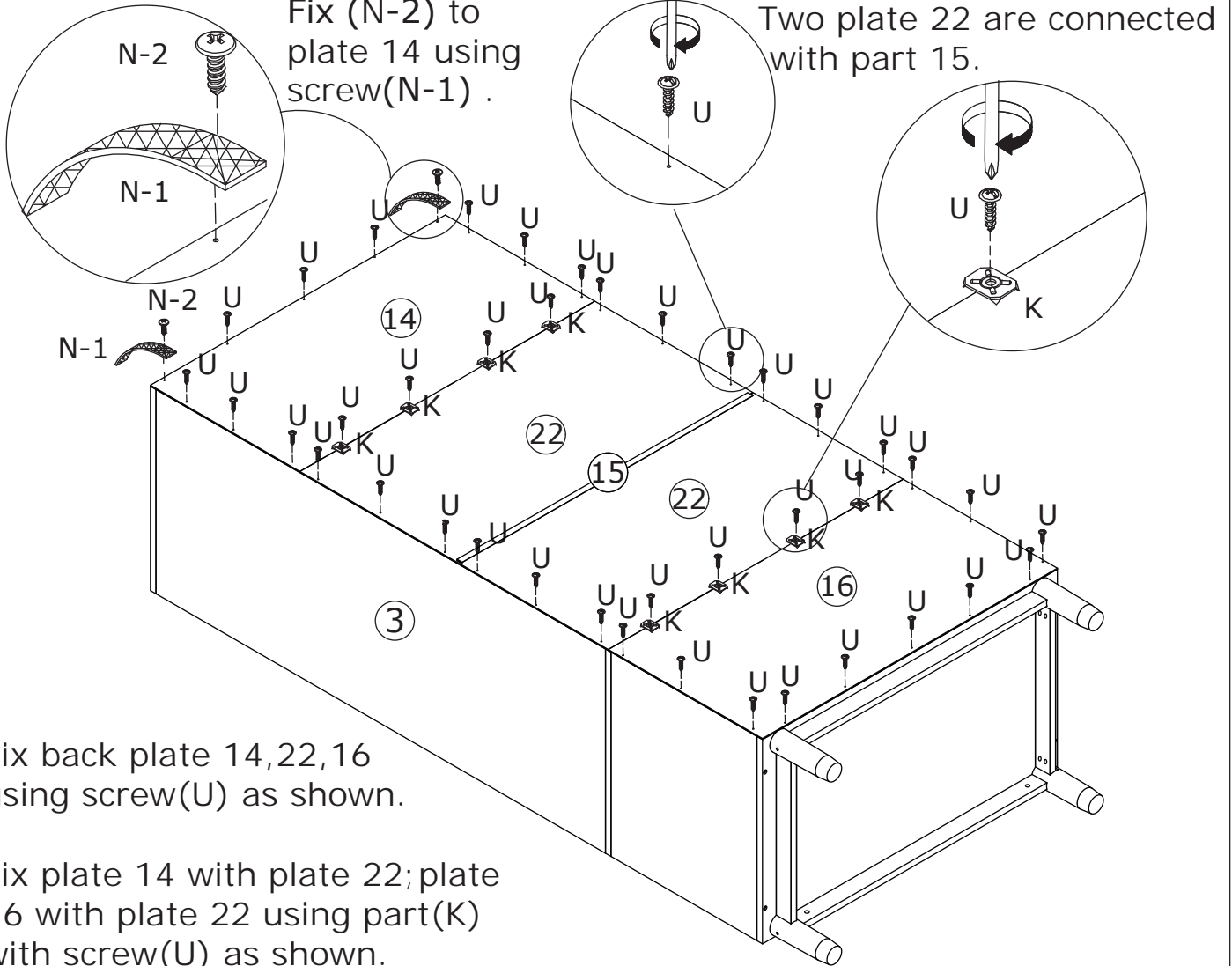
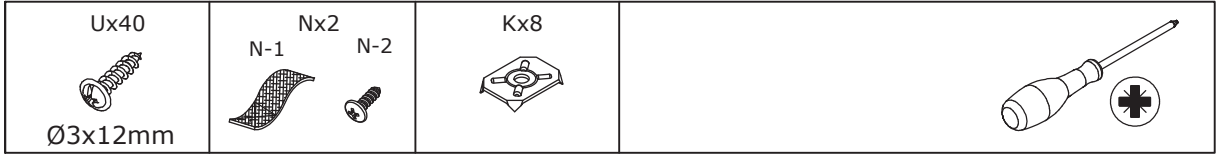
Ø6x30mm



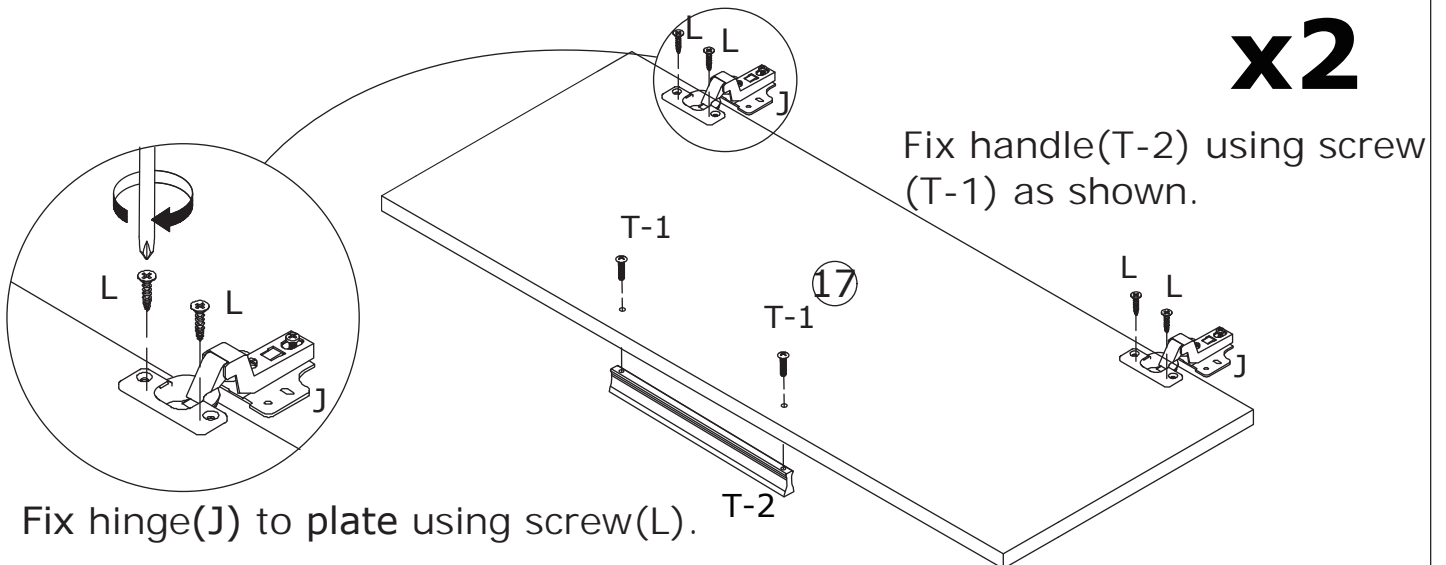
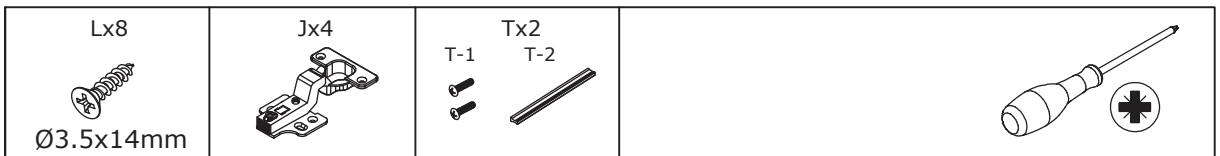
Connect the two assembled components using wooden dowel(C) and turn cam lock(B) in plate 7,8 clockwise to tighten as shown.



14

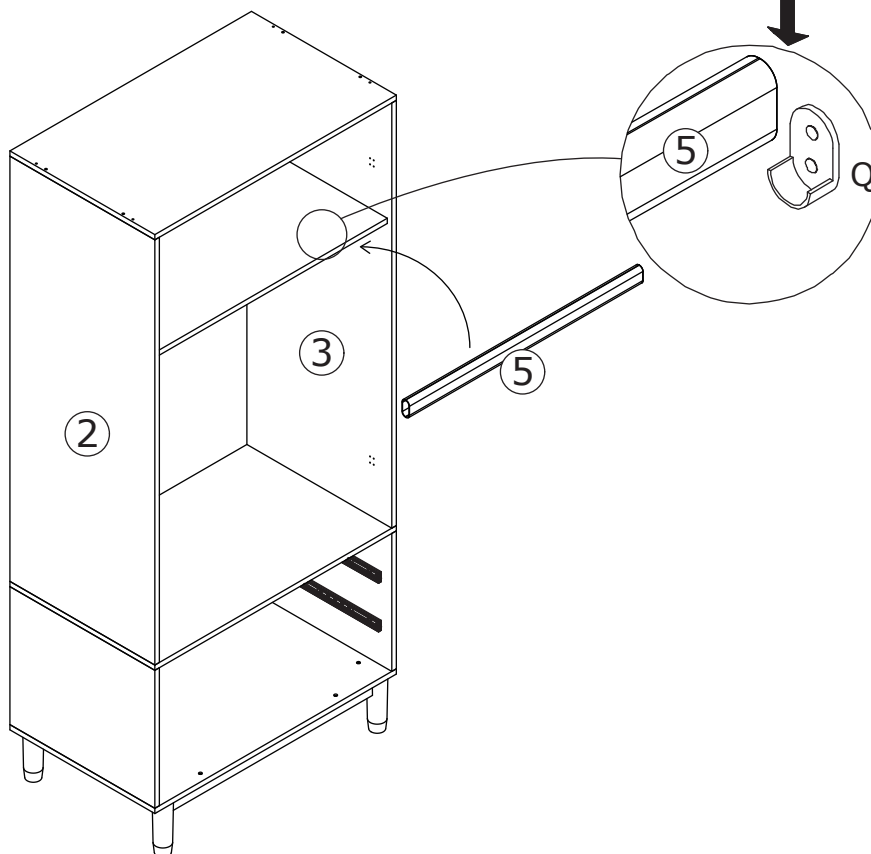


15



16

Place clothing rod 5.

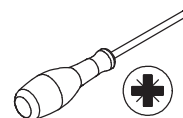


17

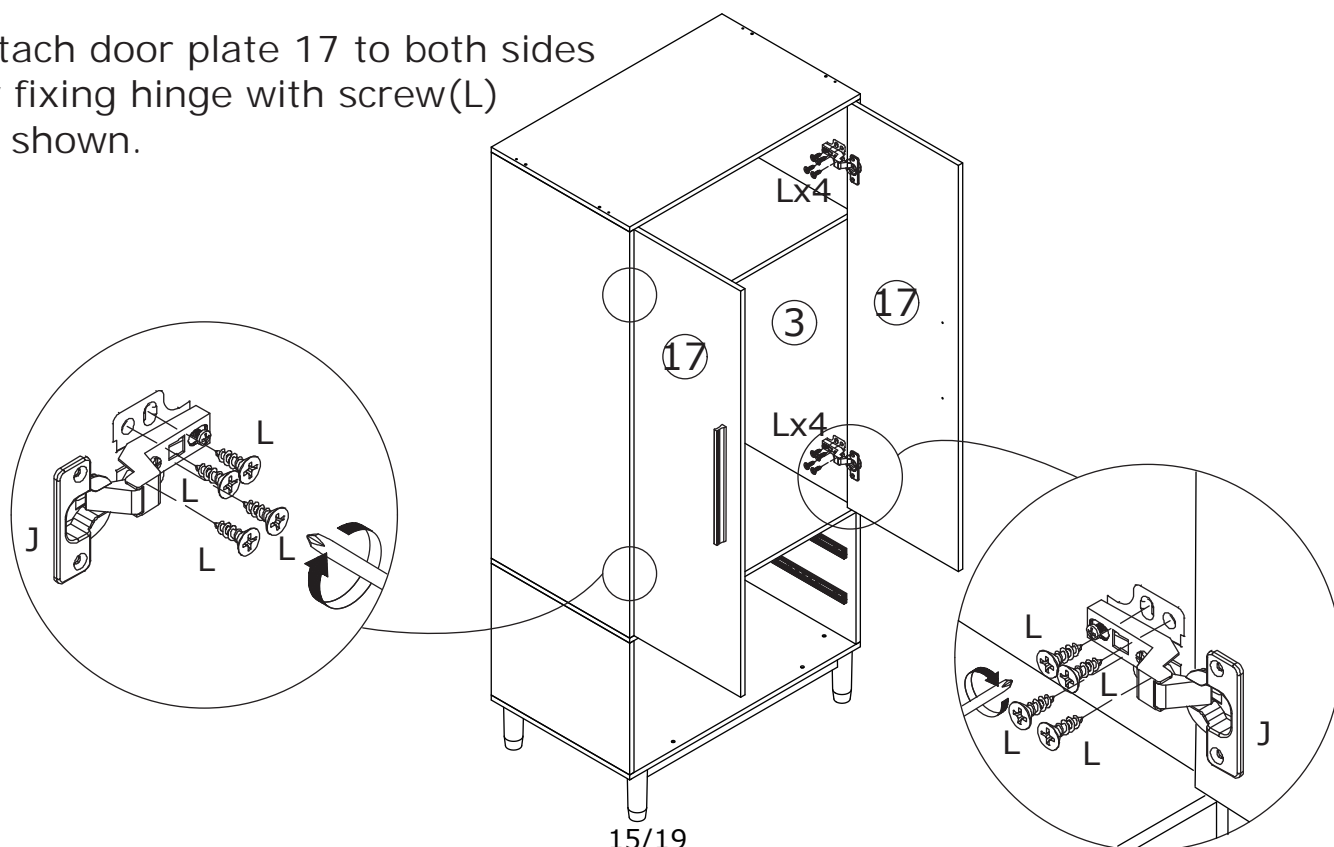
Lx16







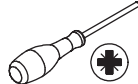
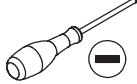
Ø3.5x14mm



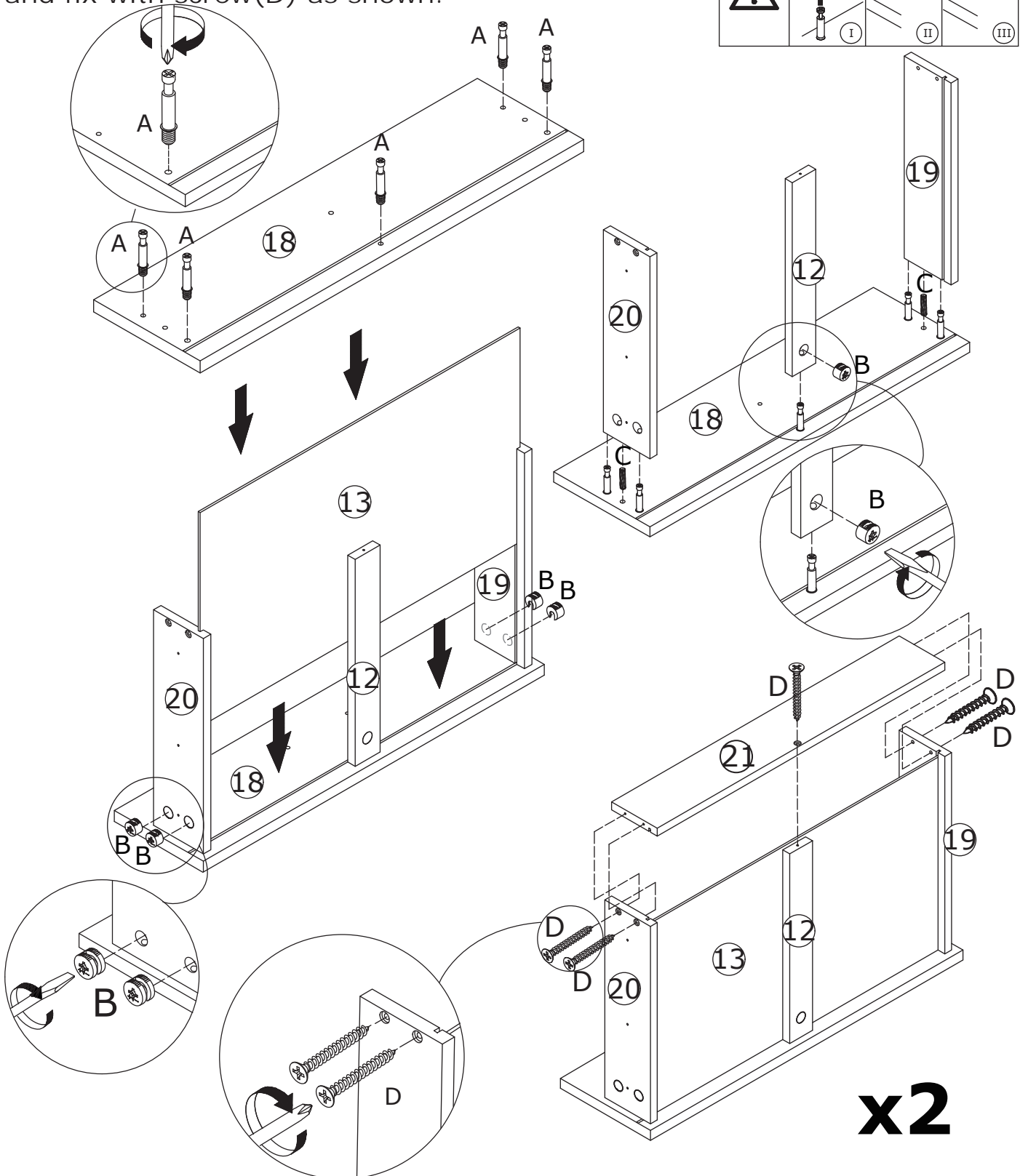
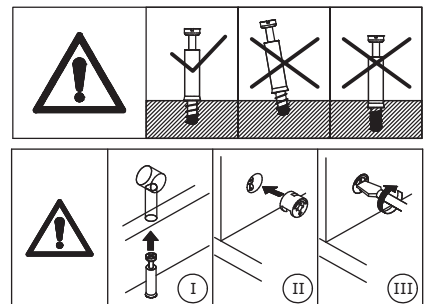
Attach door plate 17 to both sides by fixing hinge with screw(L) as shown.






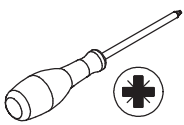
18

Ax10  Ø6x35mm	Bx10  Ø15x10mm	Cx4  Ø6x30mm	Dx10  Ø4x35mm	 
------------------------------------------------------------------------------------------------------	-------------------------------------------------------------------------------------------------------	-----------------------------------------------------------------------------------------------------	-------------------------------------------------------------------------------------------------------	----------------------------------------------------------------------------------------------------------------------------------------------------------------------------

Insert quickfit screw(A) into plate 18 at first.
Attach plate 19,12 and 20 to plate 18 using
wooden dowel(C) and turn cam lock(B) in plate
19,20 clockwise to tighten as shown.
Slide plate 13 into available slots, attach plate 21
and fix with screw(D) as shown.

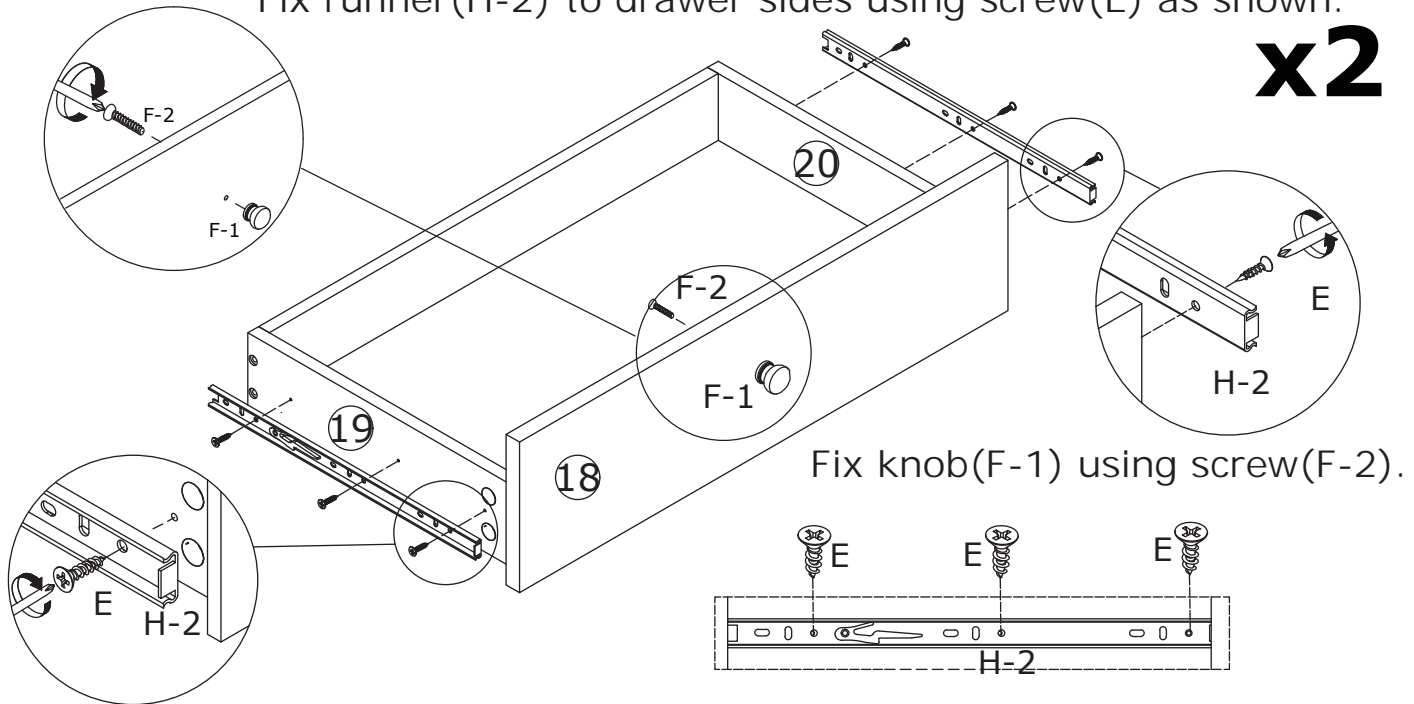


19

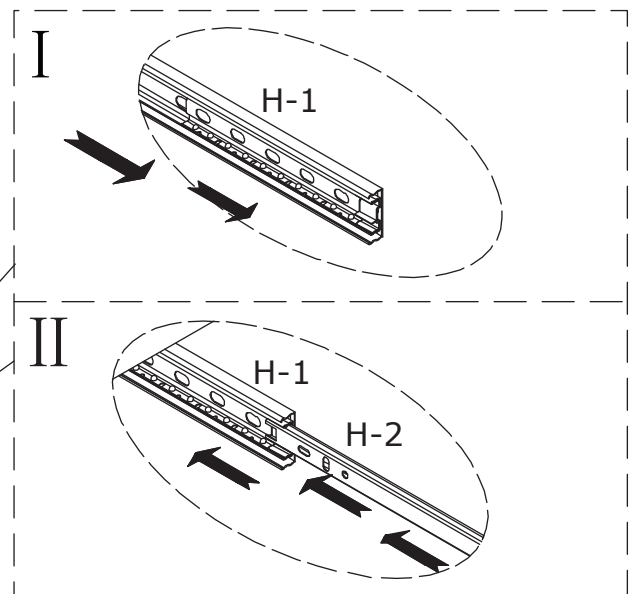
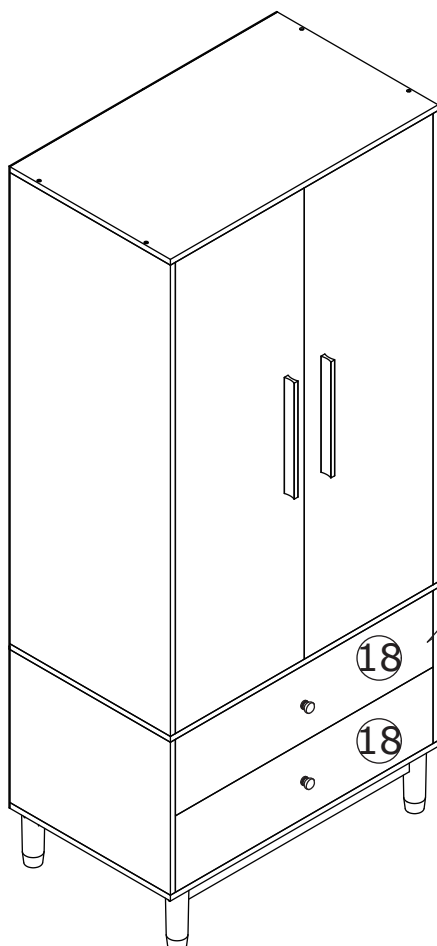
Ex12  Ø3x12mm	Fx2 F-1 F-2  Ø4x20mm	Hx4  380mm	
------------------------------------------------------------------------------------------------------	-------------------------------------------------------------------------------------------------------------------	---------------------------------------------------------------------------------------------------	-------------------------------------------------------------------------------------

Fix runner(H-2) to drawer sides using screw(E) as shown.

x2



20

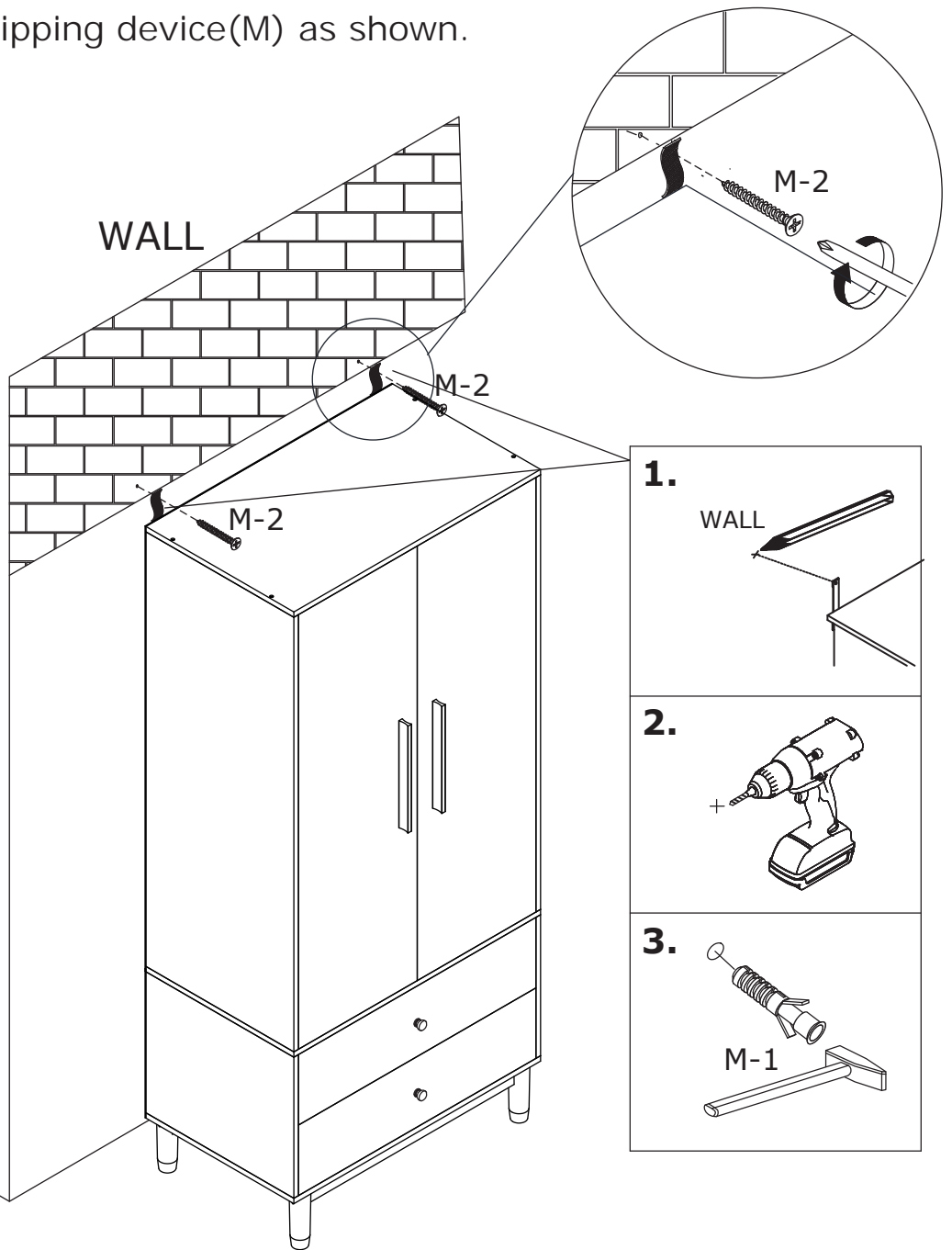


Align rails, slide drawers.

21

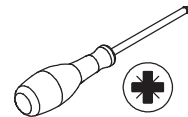


Install anti-tipping device(M) as shown.

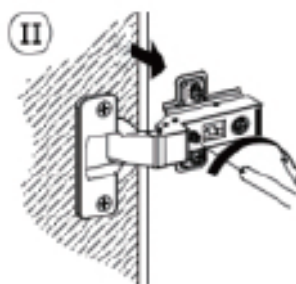
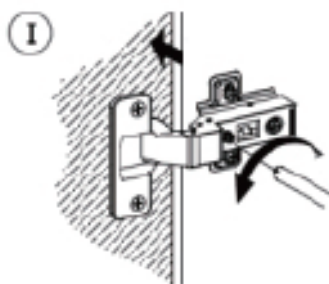
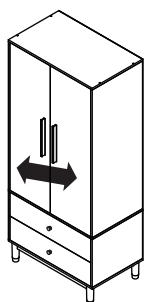
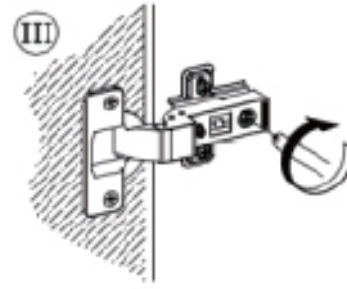
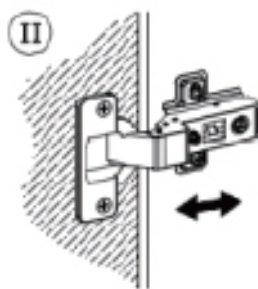
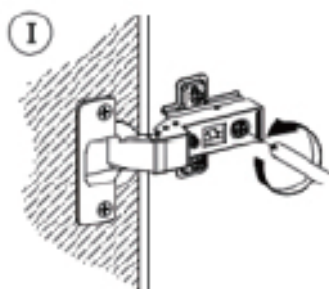
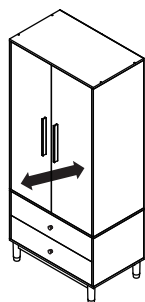
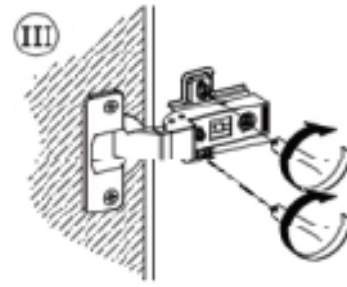
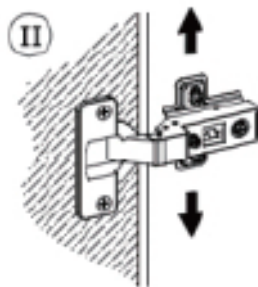
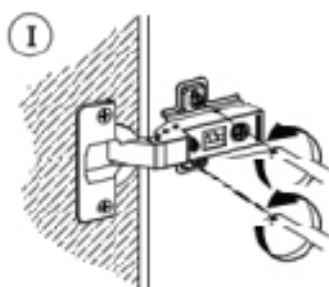
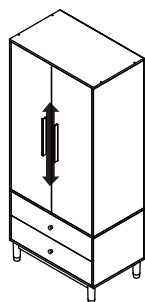
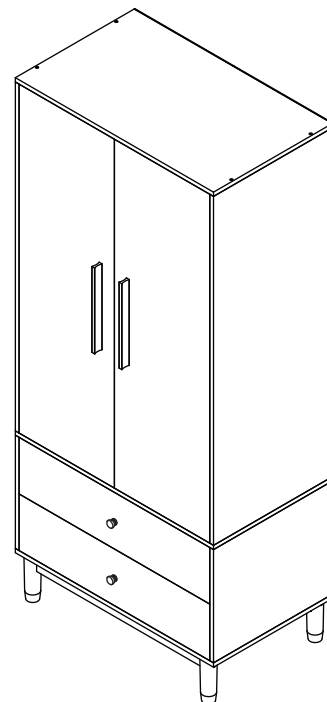


- 1.** WALL
- 2.**
- 3.**
M-1

22



If there is misalignment after you install, adjust the screw to the best condition.



WARRANTY

WARRANTY CLAIMS

- There is a 30-day warranty for broken furniture or any other problems that do not work properly. The warranty will start from the date of purchase which must be verified by proof of purchase.
- Before making a claim, we may be able to answer your query, simply call us. Please leave your purchase order number, along with some details of the problem, if you want a replacement part. We will arrange within 48 hours. If there is out of stock, we will reply with a shipping date.
- The product must be used in accordance with the instructions provided. For health reasons.
- For other reasons, if the furniture needs to be returned, it must be cleaned and dried and operated within 30 days of receipt.

Type of Warranty Claim

- Failure to follow the furniture instructions will invalidate the warranty. Attention please.
- Does not include damage during installation, but includes damage during transportation.

Scope of responsibility

- Shall not bear any responsibility for misuse or user damage and / or loss of parts during the installation of furniture.
- After using, the damage and scratches of the furniture are not covered by the warranty.

The Warranty Relates to All Bought in The Us and Covers The Following Areas

- Sheet parts: 1 month from the date of purchase.
- Electrical parts: 1 month from the date of purchase.

RETURNS

CHANGED YOUR MIND AND NEED TO RETURN YOU ITEM?

PLEASE FOLLOW THE BELOW INSTRUCTIONS:

- If you have purchased and have simply changed your mind, follow the retailer's instructions for returns.

DEFECTIVE ITEMS

- If your item is defective in any way, i.e. it doesn't work but you can't identify why, in the first instance, please call us.

DAMAGED ITEMS

- If you receive an order with obvious shipping damage from the retailer, then we suggest the delivery is refused. If the delivery has been accepted and then shipping damage is found, please follow the specific instructions advised by the retailer.
In all circumstances please save all packaging material and paperwork for the order. Please be aware that if you dispose of packaging material or attempt to return the merchandise without contacting the fulfiller, you jeopardise your chances of making a claim, and you may not receive a credit for the return.