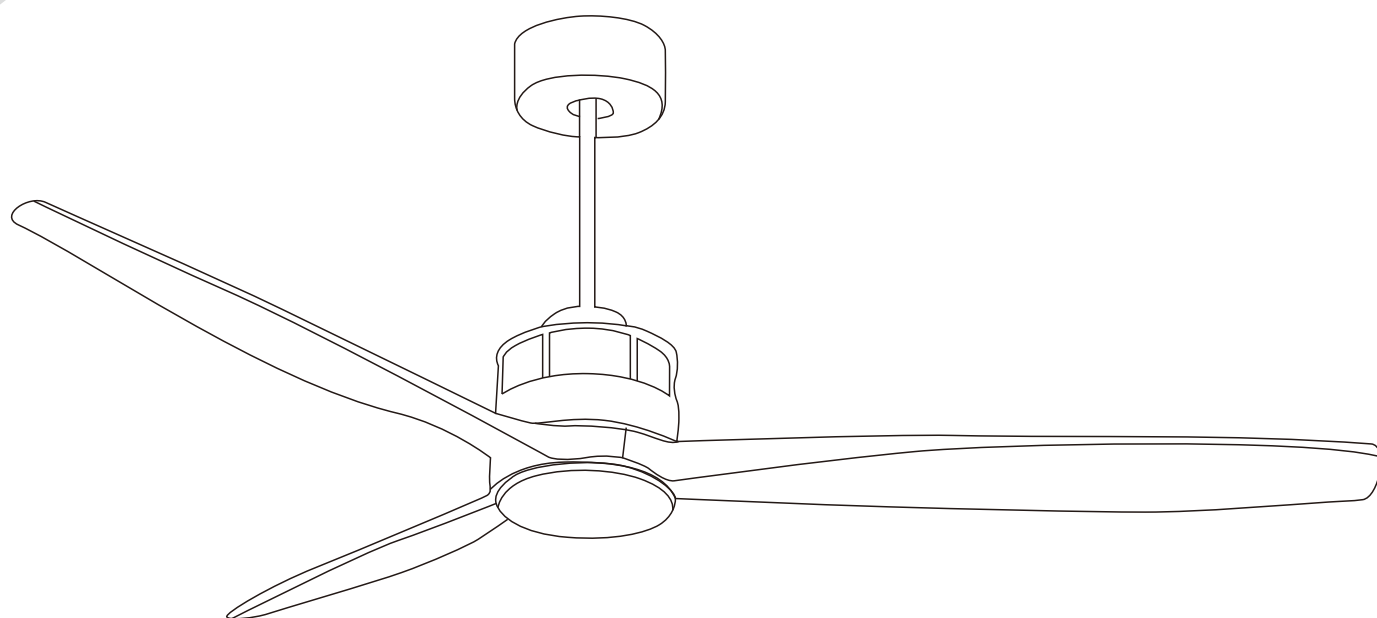


# *Installation Instruction*



**USE AND CARE GUIDE**

— **CEILING FAN** —

# Table of Contents

<b>01 Safety Information</b>	-----	01
<b>02 Ceiling fan installation process</b>	-----	02
① Pre-installation	-----	02
② Tools required	-----	03
③ Hardware included	-----	03
④ Secure bracket	-----	04
⑤ Assembly of Downrod	-----	05
⑥ Mount fan to bracket	-----	05
⑦ Wiring	-----	06
⑧ Blade installations	-----	06
⑨ Installation of light kit	-----	07
<b>03 Function Instruction of Emitter</b>	-----	07
<b>04 Change Downrod (OPT)</b>	-----	08
<b>05 Operating Your fan</b>	-----	09
<b>06 Maintenance</b>	-----	09
<b>07 Troubleshooting</b>	-----	10

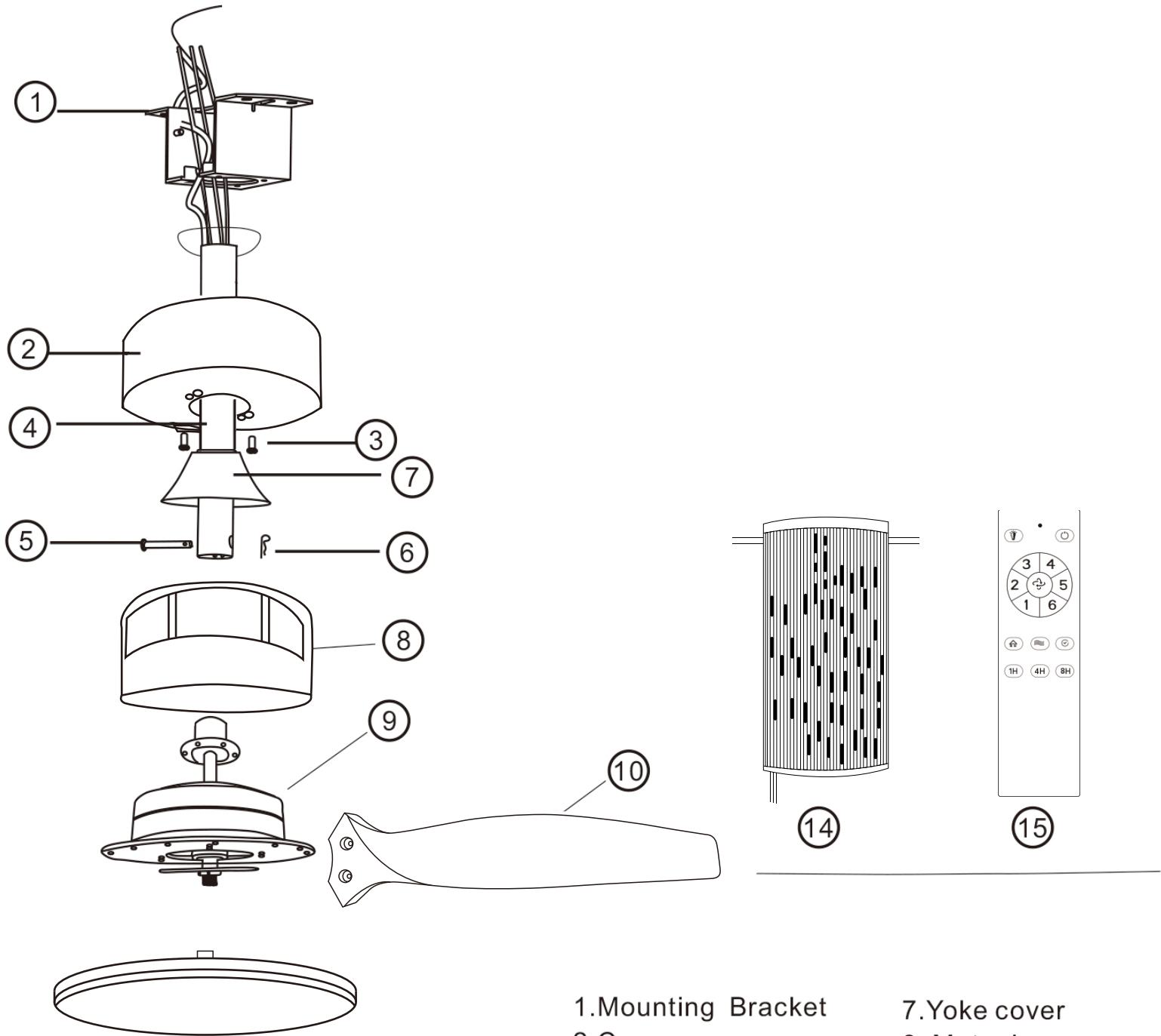
## 01- Security Information

Please read all safety instructions before installing the ceiling fan and save this document for future reference.

- ▶ Carefully open the packaging. Remove the items from the box. Place the motor body on carpet or foam to avoid damaging the finish. Do not discard the fan carton or foam insert in the case of returns or repairs.
- ▶ To prevent injury and damage, please ensure that the hanging position allows the blade to maintain a gap of 7.6 feet (2.3 meters) and 20 inches (50 cm) with any walls or obstacles, and the installation must support at least 35 pounds (15.9 kg)
- ▶ Turn off the power to the fuse box breaker before starting to install the fan.
- ▶ Read all instructions and safety information before installing a new fan.
- ▶ All wiring must comply with national and local electrical codes. ANSI/NFPA70. If you are not familiar with wiring, please use a qualified electrician.
- ▶ Do not bend the blades when installing or balancing the blades or cleaning the fan.
- ▶ Do not insert foreign objects between rotating fan blades.
- ▶ Make sure that the installation location you choose allows the fan blades to rotate without obstacles.
- ▶ To reduce the risk of electric shock, disconnect the power circuit before installing the lamp kit.
- ▶ After installing the fan, please make sure that all installation parts are fixed to prevent the fan from falling.
- ▶ Turn off the fan and wait for the blades to stop completely before performing any maintenance or cleaning.

## 02- Ceiling fan installation process

### 1 Pre-installation



1. Mounting Bracket

2. Canopy

3. Canopy Screws

4. Downrod

5. Cross pin

6. Cotter pin

7. Yoke cover

8. Motor house

9. Motor

10. Blade

11. Lamp panel

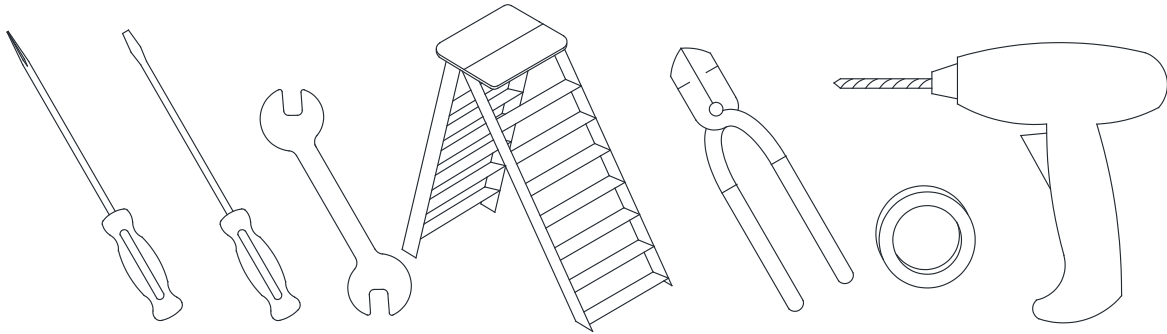
12. LED

13. Lampshade

14. Receiver

15. Remote control

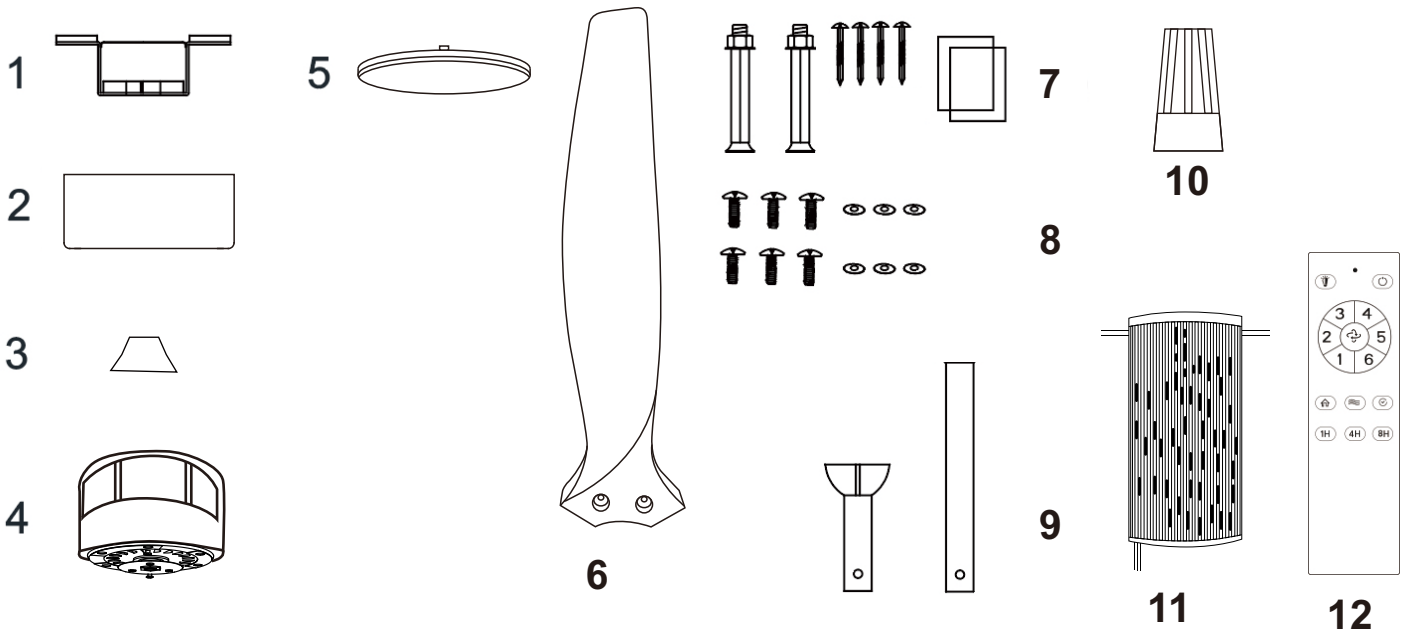
## 2 Tools Needed



You may need the tools below:

- Screwdrivers
- Wrench
- Ladder
- Wire Strippers
- Insulation Tape
- Power drill

## 3 Parts Inventory



1. Mounting Bracket
2. Top Canopy
3. Downrod Canopy
4. Motor Body
5. Cover

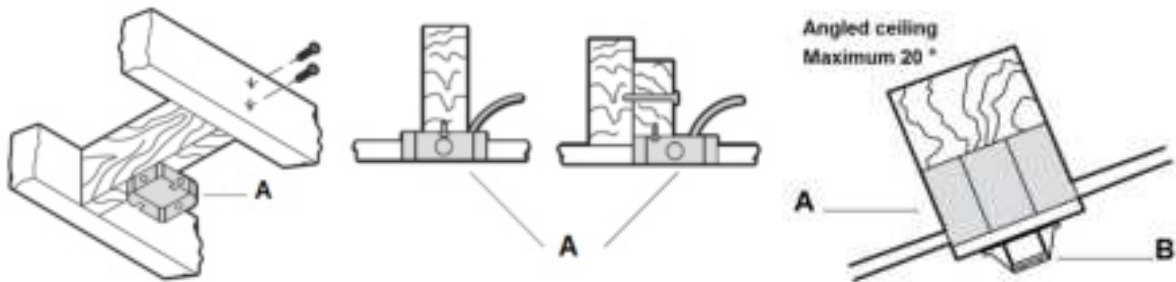
6. 3 Blades
7. Blades Screws
9. Downrods (5'/10')
8. Plastic wire nut (not to scale)
9. Receiver
10. Remote control (including battery)

# 4 Secure Bracket

## • Secure to Outlet Box

If there isn't an existing outlet box, then install one using the following instructions:

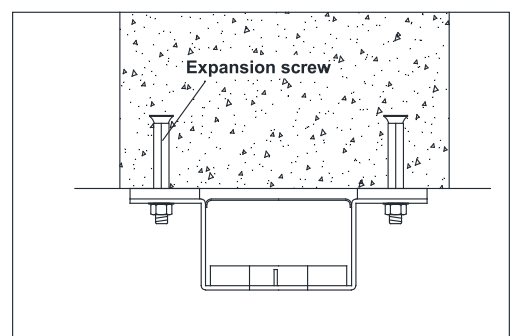
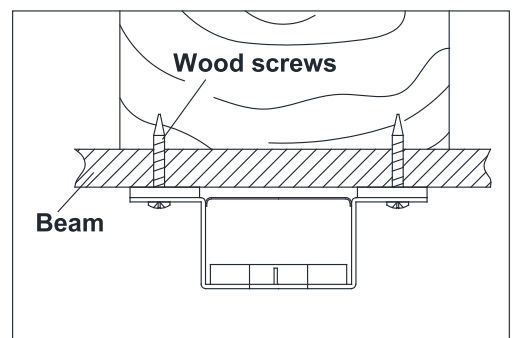
- Disconnect the power by removing the fuses or turning off the circuit breakers.
- Secure the outlet box (A) (not included) directly to the building structure. Use appropriate fasteners and materials (not included). The outlet box and its bracing must be able to fully support the weight of the moving fan (at least 35 lbs).
- Figures show three different ways to mount the outlet box (A) (not included).



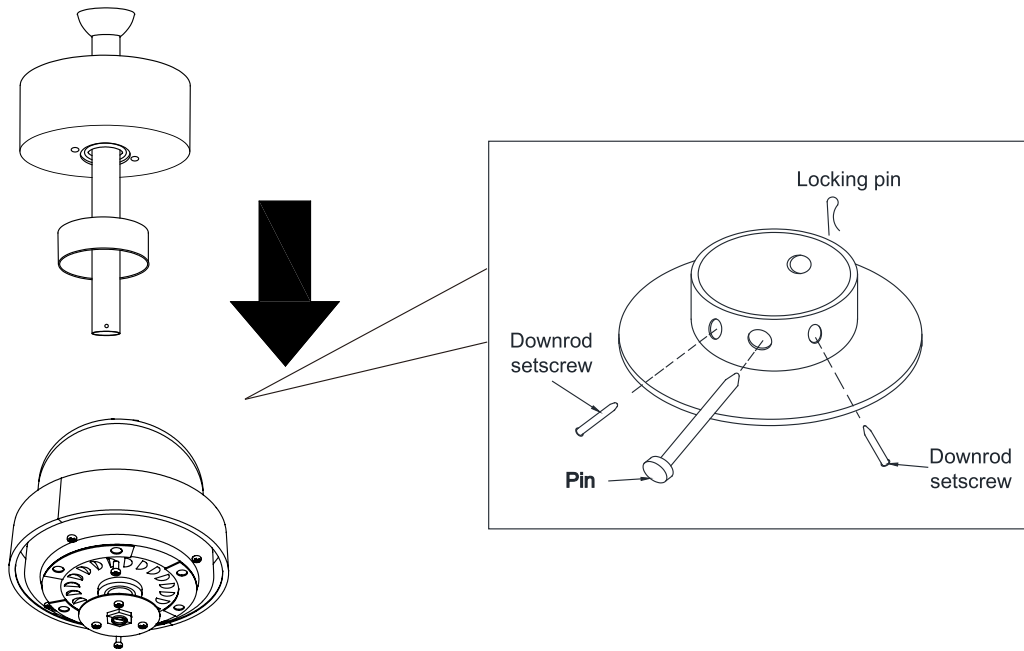
Using the existing screws provided with your outlet box to secure the mounting bracket to the outlet box tightly (a loose mounting will the fan to wobble).

## • Secure Bracket

- Attach the mounting bracket to the ceiling. There are two types of screws included in the pack.
- For wooden ceiling Drilling a pilot hole in your ceiling with the power drills first, then secure the plate with wood screws
- For concrete ceiling Drill a hole in the base material with a hammer drill and a correctly sized carbide drill bit for the anchor and clean out the hole of all debris. Knock expansion screw into the hole and then tighten it with a wrench



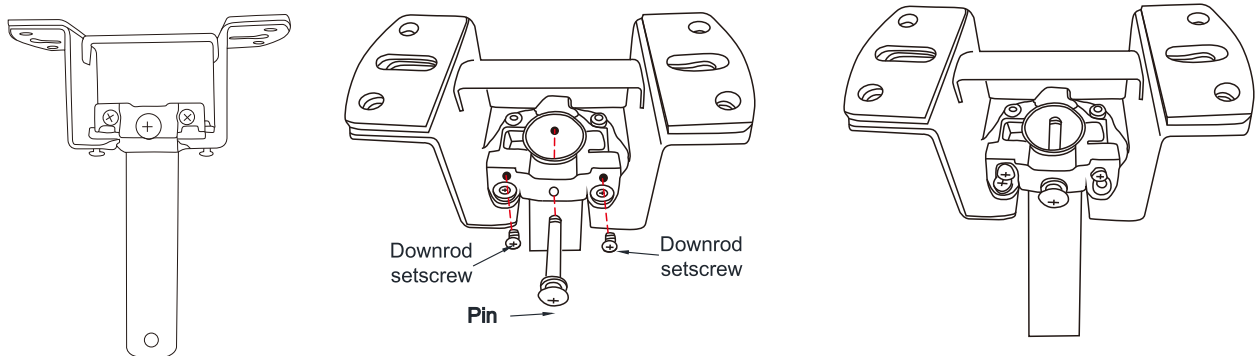
## 5 Assembly of Downrod



- **Choose the proper downrod**

1. Put the downrod through the top canopy and the downrod canopy
2. Pass the wire from the motor body through the downrod
3. Secure the downrod and motor body with downrod setscrews and celvis pin

## 6 Mount Fan to Bracket

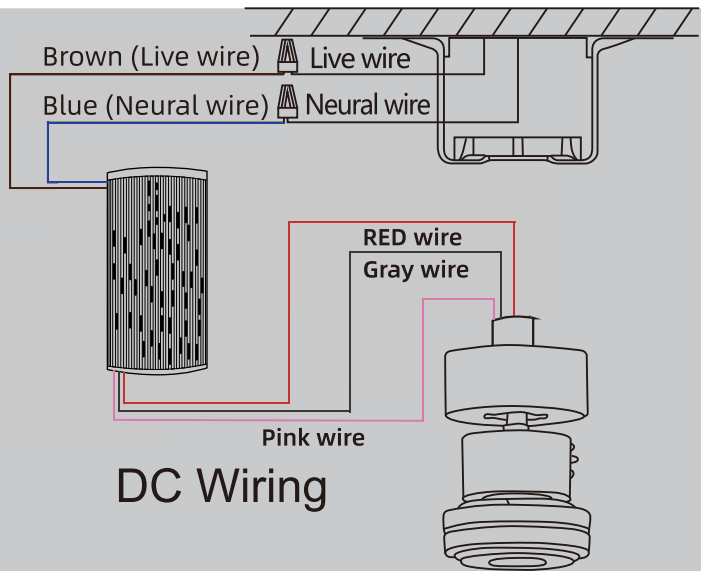


1. Pull out the long screws (Pin) on the hanger and loosen the screws on both sides (Downrod setscrewe).
2. Insert the hanger rod into the round hole of the hanger, and pass the long screw through the hanger rod, align it with the hanger hole, and tighten the screw
3. Tighten screws on both sides.

Note: Make sure to tighten the three screws on the hanger; otherwise, the fan may shake.

# 7 Wiring

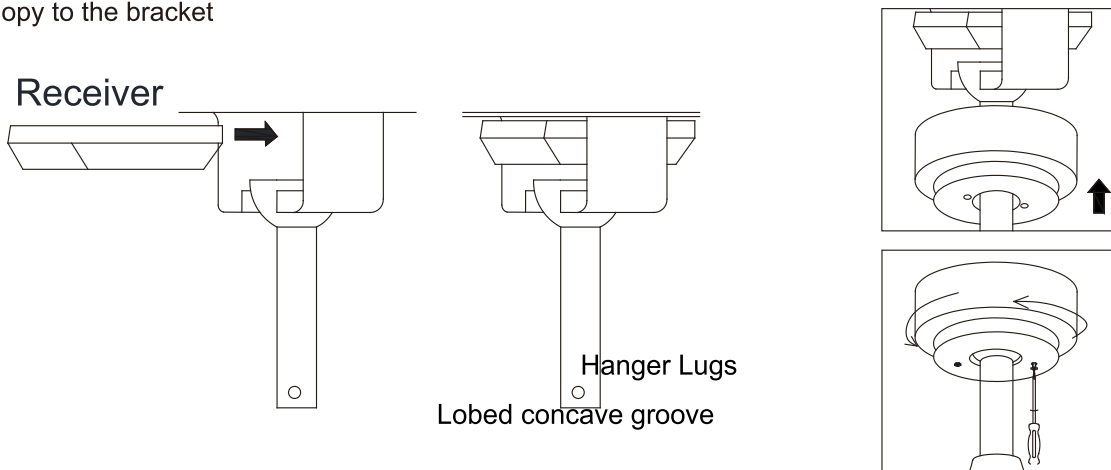
*Color to Color*  
*The plug to the plug*



Insert the receiver into the top of the fan body and make wire connections according to wire colors, labels, and diagram above.

\* Wrap each wire connector separately with electrical tape as an extra safety measure.

\* After wiring finished, leave the receiver in the bracket and secure it the the electrical tape then secure the canopy to the bracket

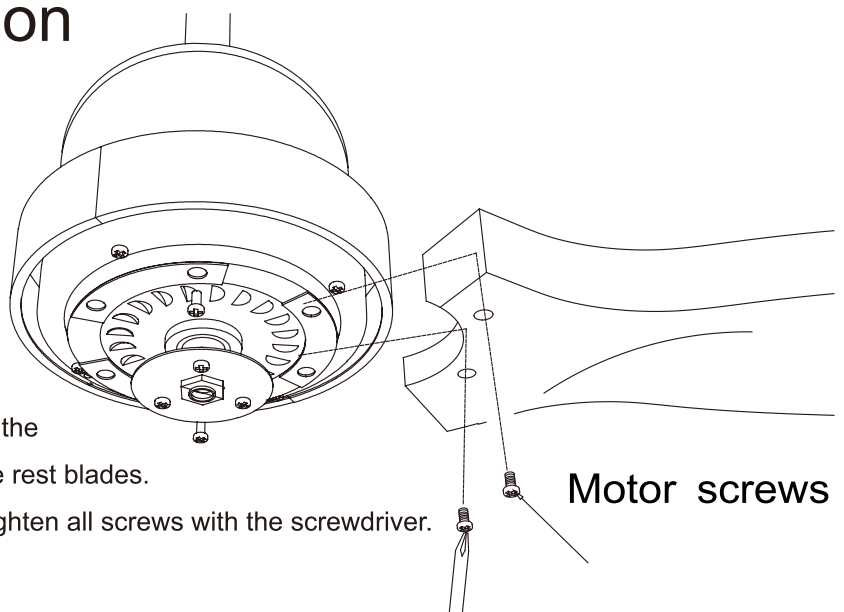


# 8 Blade Installation

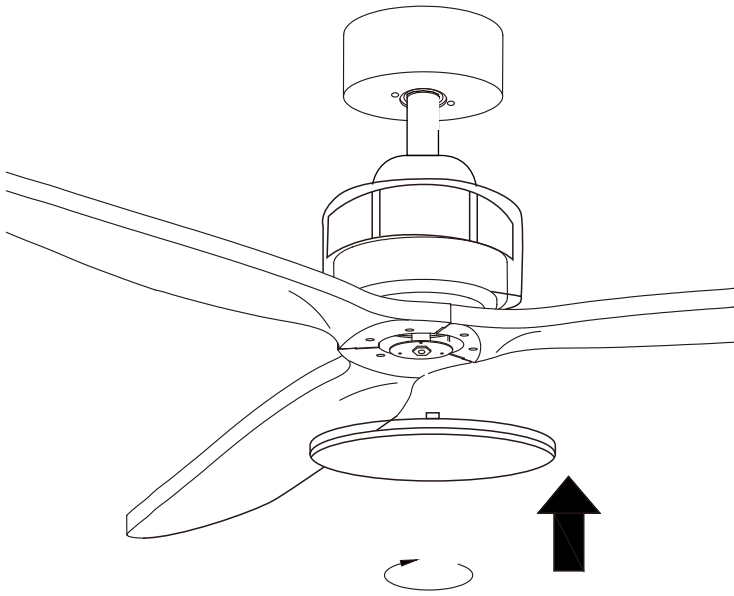
Insert a blade screw from the package through the blade hole and position it under the motor so that the screw is aligned with the "center" hole position of any group of two screw holes.

Using the screwdriver to secure the blade to the motor, but do not over tighten. Repeat for the rest blades.

Once all blades screws are in place,gently tighten all screws with the screwdriver.



# 9 Installation of Light Kit



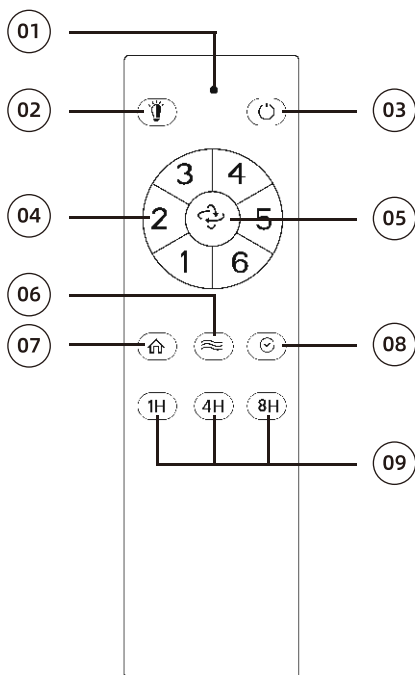
Insert the receiver into the top of the fan body and make wire connections according to wire colors, labels, and diagram above.

\* Wrap each wire connector separately with electrical tape as an extra safety measure.

\* After wiring finished, leave the receiver in the bracket and secure it the the electrical tape then secure the canopy to the bracket

If the above solution can not help you to solve the problem. Please contact us: [usceilingfans@outlook.com](mailto:usceilingfans@outlook.com).

## 03- Function Instruction of Emitter



- 01 LED indicated light
- 02 ON/OFF the light — The first click is 6000K, the second click is 3000K, and the third click is 4500K. Press again to turn off
- 03 OFF the fan
- 04 Speed of the fan ( 1 - 6 )
- 05 Direction of the fan ( Reverse switch )
- 06 Naturl wind
- 07 Simulate a human burglar lamp
- 08 Delay closing of the fan
- 09 Timing control of the fan




# Kindly Reminders

1. Learning code matching mode is used between emitter and receiver. Turn "ON" the supply power within 30 seconds and press the emitter's "3 OFF the fan' button for 5 seconds, it can load normally after hearing a long sound "bee", which means learning successfully and it can works normally. (PS: Leaming mode is not accepted after turn "ON" the supply power 30 seconds)
2. When the emitter cannot control the receiver, please check the battery switch touching normally or not, correction of the positive and negative, full or empty of the power.
3. When the emitter cannot the receiver, please check there any existence of similar remote controlled products nearby, then check whether they works, because remote controlled product with the same frequency will disturb each other.
4. Low voltage of battery will affect the sensitibility of the emitter and the signal reception accordingly (the indicated light will flash out its waming when the battery get low voltage). must replace if battery is getting low voltage.
5. Please take out the battery from the emitter when leaving unused for long time.
6. Supporting 200W lighting power at maximum.
7. When installing the fan. the fan ceiling cover don't press the antenna(or other wire). it is easy to breakdown the wire and short - circuited.

## 04- Operating Your fan

Turn on the power and check the operation of the fan.The remote controls the fan speed and light.

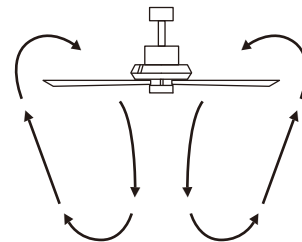
The appropriate speed settings for warm or cool weather depends on factors such as the room size,ceiling height,and number of fans.

The switch  controls the direction of the blades: forward or reverse.

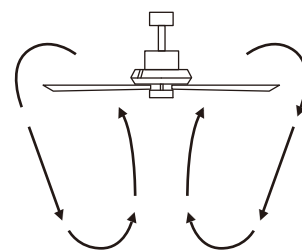
**NOTE:**Wait for the fan to stop before reversing the direction of the blade rotation

A. Warm weather-(Forward) A downward airflow creates a cooling effect.This allows you to set your air conditioner on a higher setting without affecting your comfort.

B. Cool weather-(Reverse) An upward airflow moves warm air off of the ceiling.This allows you to set your heating unit on a lowering setting without affecting your comfort.



A. Warm Weather (summertime)



B. Cool Weather (wintertime)

## 05- Maintenance

*Here are some suggestions to help maintain your fan*

- Because of the fan's natural movement, some connections may become loose. Check the support connections, brackets, and blade attachment twice a year. Make sure they are secure.
- Clean your fan periodically to help maintain its new appearance over the year. Do not use water when cleaning. This could damage the motor, or possibly cause electrical shock.
- Use only a soft brush or lint-free cloth to avoid scratching the finish. Cleaning products may damage the finished
- There is no need to oil your fan. The motor has permanently lubricated bearings.
- If installed in a coastal, humid environment, regular surface cleaning may be necessary to avoid deterioration or oxidizing effects of salt or other corrosive elements. A Damp Location rating is not an assurance of finish durability. Preventative measures should be taken depending on the environmental exposures your fan will undergo to preserve and protect the finish quality and appearance of your fan.

### WARNING

Before servicing or cleaning your fan, switch power off at the service panel and lock the service disconnecting means to prevent power from being switched on accidentally.

# 06- Troubleshooting

***Please read all installation instructions carefully.***

After reviewing the following tips, if you are unable to solve a problem, please contact customer service for additional assistance

## WARNING

Before servicing or cleaning your fan, switch power off at the service panel and lock the service disconnecting means to prevent power from being switched on accidentally.

### **Fan not repoding to remote control**

- Check that all wire connections are secure and made as instructed.
- Verify that power is on and reaching the receiver by a voltmeter.
- Verify that controller batteries are installed with proper polarity as indicated inside the battery cover

### **Light does not work**

- Check wire connections at ceiling and receiver.
- Confirm that LED wire leads and terminal block are properly connected to the LED board.

### **Fan makes repetitive ticking noise**

- Check for obstructions in the rotor path.
- Make sure mounting hardware at the ceiling is secure.
- Make sure all other hardware and blade attachments are tight.
- Give fan adequate "Break in Period" of several hours to several days then repeat steps above.

### **Fan makes humming noise**

- Be sure you are using the control set supplied with your fan
- Make sure all fittings are firmly secured. Loose parts will often cause vibrational noise or humming. Removal and re-attachment can sometimes remedy such resonant vibrational noise.

### **Fan wobbles**

- Make sure the mounting plate and hardware at the ceiling are secure and firmly fastened. If necessary, use the wood screws provided to further secure the outlet box to the joist.
- Carefully lower motor housing and verify that the mounting plate is secure to the outlet box, screws are tight.