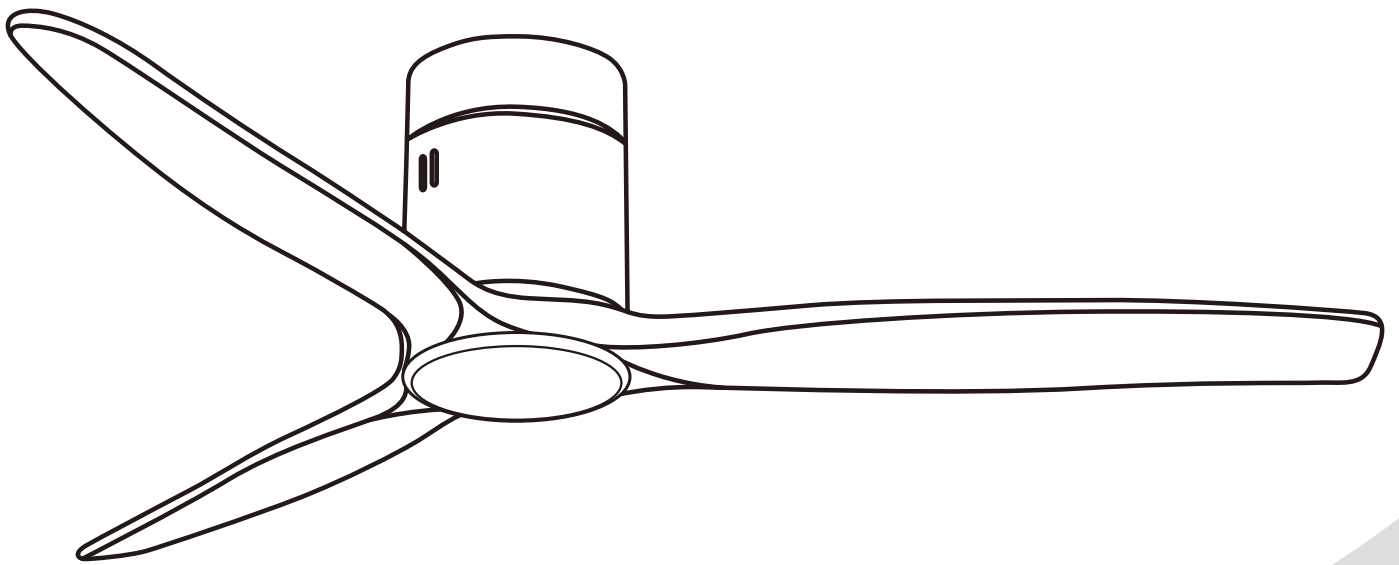


Installation Instructions



Ceiling-fan-Series

Safety Guides

Please read this instruction before installing your ceiling fan and save this document for future reference.

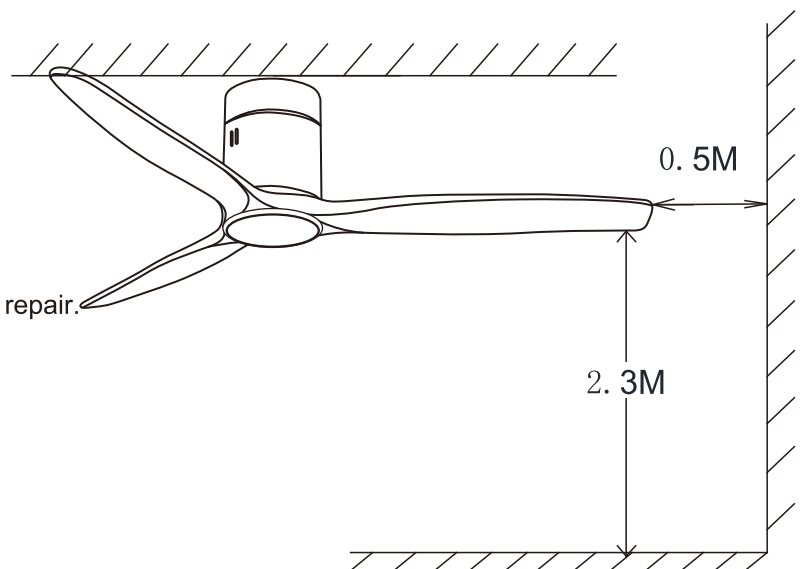
Please contact our customer service for further help if there is any.

- ▶ Cut off the power before installing.
- ▶ Install the fan by professional electrician and the wiring must be complied with national and local electrical codes. ANS/NFPA 70.
- ▶ Check all components and make sure the fan was fixed well before using.
- ▶ DO NOT bend the blades.
- ▶ Keep away from the rotation blades and clean the obstructions.
- ▶ Always disconnect power before maintenance or cleaning.

1

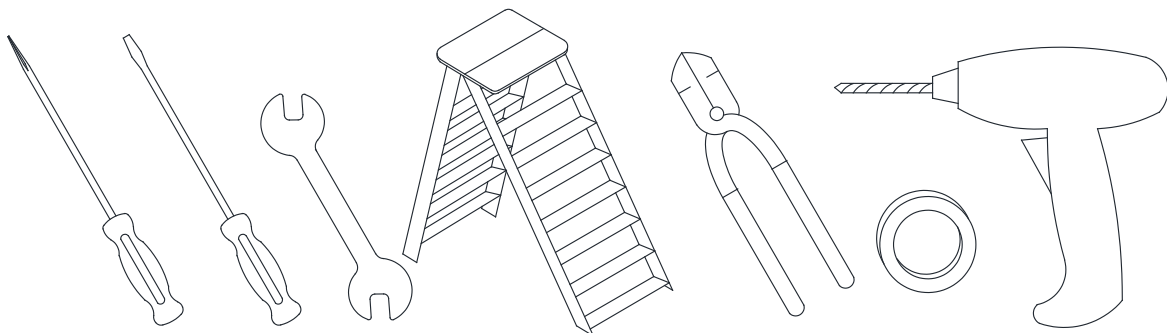
Before Installation

- Keep the package in cases of return or repair.
- Keep min. 2.3m to the floor and min. 0.5m to the wall.



2

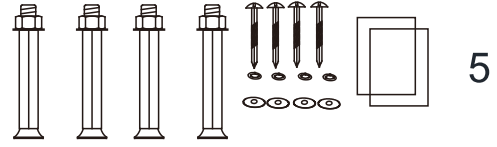
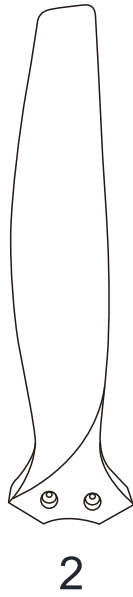
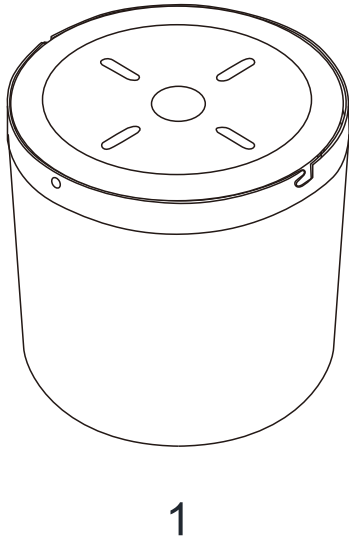
Tools Needed



You may need the tools below:

- | | |
|---------------------------------------|--|
| <input type="checkbox"/> Screwdrivers | <input type="checkbox"/> Wire Strippers |
| <input type="checkbox"/> Wrench | <input type="checkbox"/> Insulation Tape |
| <input type="checkbox"/> Ladder | <input type="checkbox"/> Power drill |

3 Parts



- 1. Motor Body
- 2. Blades
- 3. Remote Control Kit

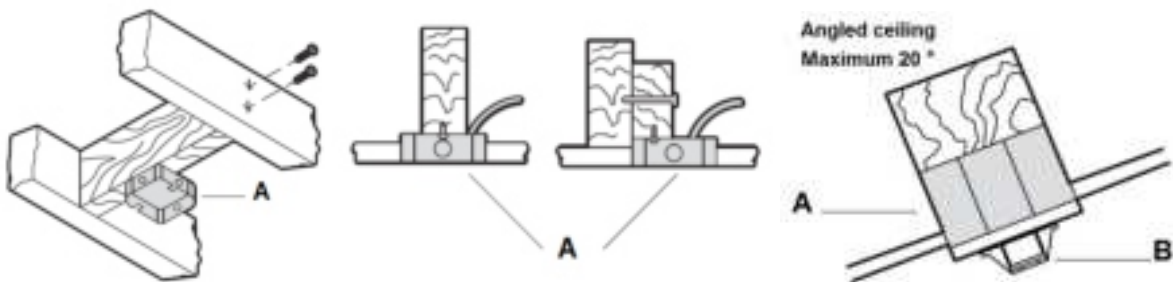
- 4. Blades Screws
- 5. Mounting Screws Kit

4 Fix Bracket

• Fix to Outlet Box

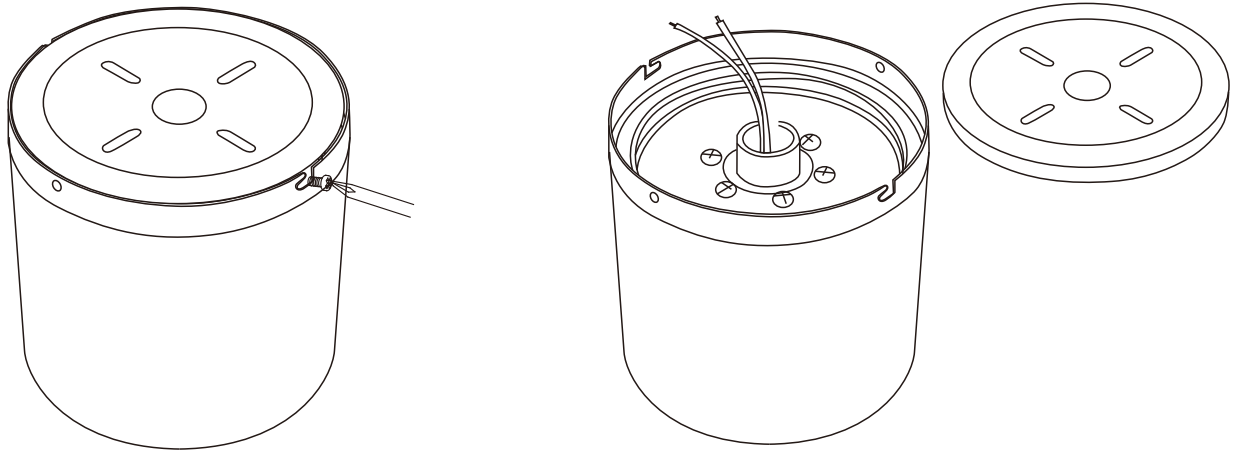
If there isn't an existing outlet box, then install one using the following instructions:

- Disconnect the power by removing the fuses or turning off the circuit breakers.
- Secure the outlet box (A) (not included) directly to the building structure. Use appropriate fasteners and materials (not included). The outlet box and its bracing must be able to fully support the weight of the moving fan (at least 35 lbs).
- Figures show three different ways to mount the outlet box (A) (not included).

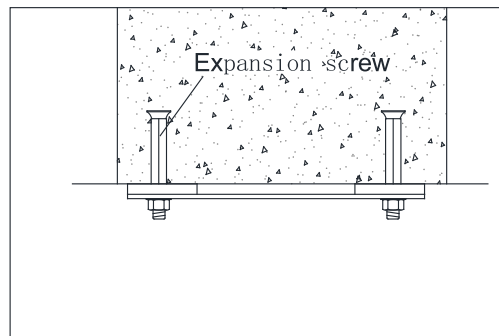
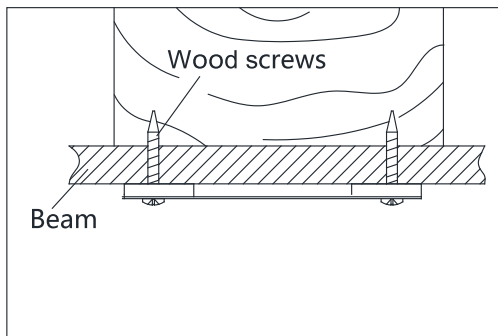


Using the existing screws provided with your outlet box to secure the mounting bracket to the outlet box tightly (a loose mounting will the fan to wobble).

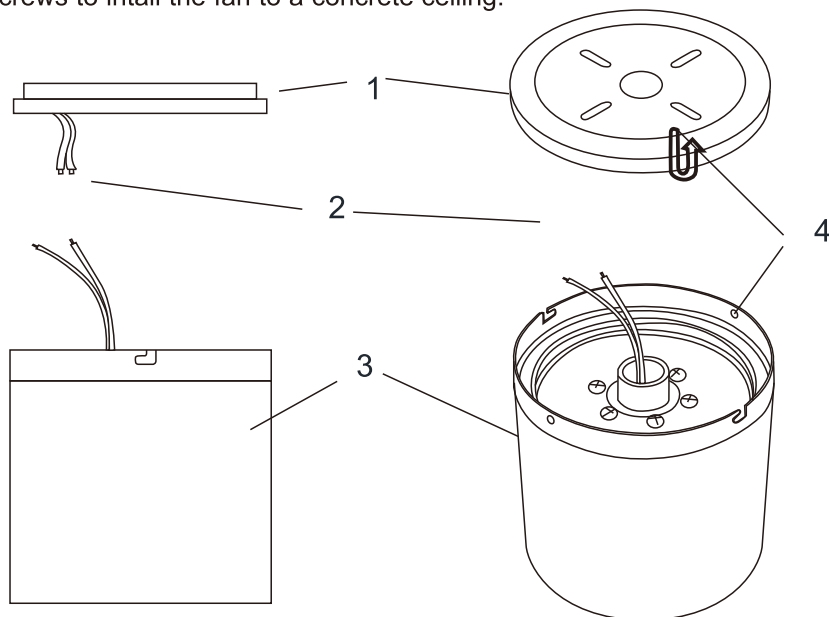
5 Hanging fan motor



Loosen the screw of the main engine and take out the hanging dish

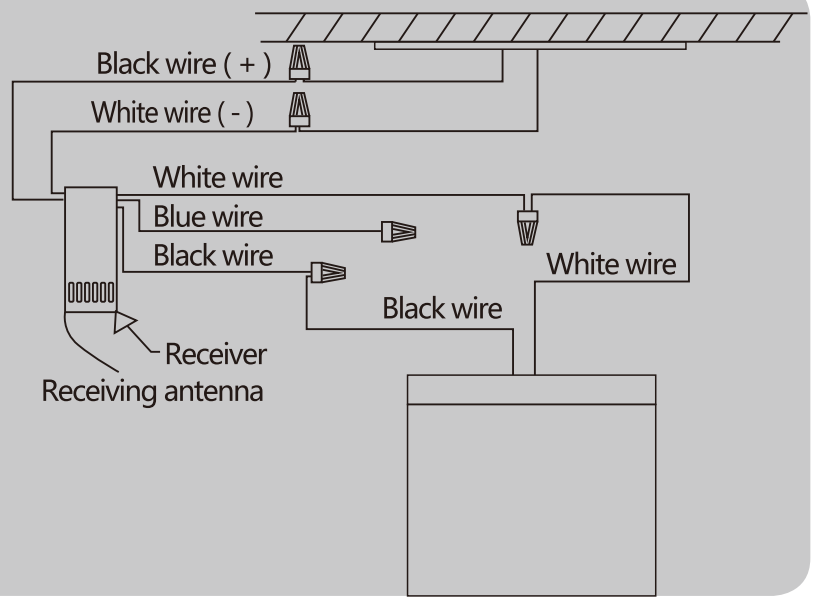


- Use wood screws to install the fan to a wood ceiling.
- Use expansion screws to install the fan to a concrete ceiling.



- Use the J-hook to fix the motor to the bracket (1). Fig. 3
- Connect the male and female connector together (2). Fig. 3
- Complete the electrical wiring using the diagram below (Figure. 4).

6 Wiring

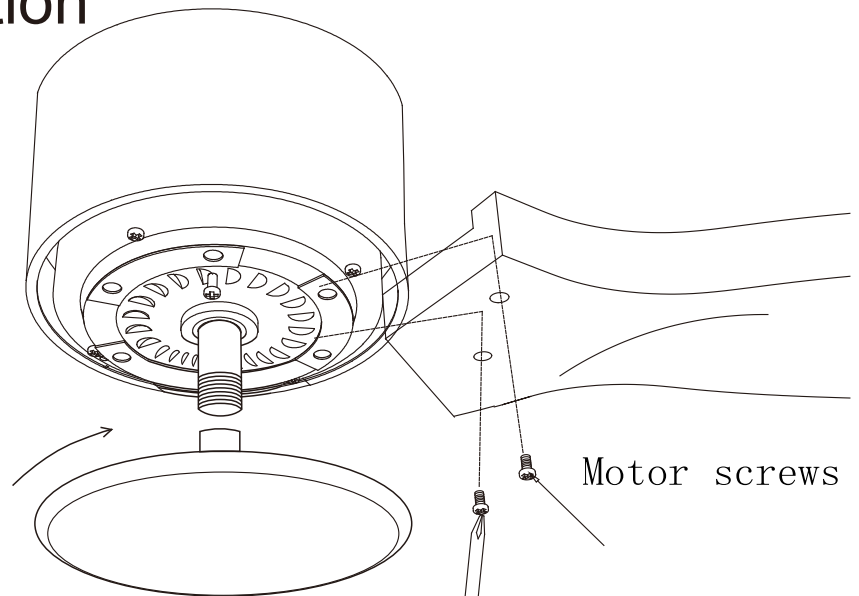


Color to Color

7 Blade Installation

Using the screwdriver to fix the blade to the motor, but do not over tighten. Once all blades screws are in place, gently tighten all screws with the screwdriver.

Finally, place the lamp under the fan in a spiral



Maintenance

- Due to the fan's natural movement, some connections may become loose. Check the support connections, brackets, and blade attachment twice a year. Make sure they are secure.
- Clean your fan periodically to help maintain its new appearance over the year. Do not use water when cleaning. This could damage the motor, or possibly cause electrical shock.
- Use only a soft brush or lint-free cloth to avoid scratching the finish. Cleaning products may damage the finished
- There is no need to oil your fan. The motor has permanently lubricated bearings.
- If installed in a coastal, humid environment, regular surface cleaning may be necessary to avoid deterioration or oxidizing effects of salt or other corrosive elements. A Damp Location rating is not an assurance of finish durability. Necessary protection should be taken depending on the environment to protect the finish quality and appearance.

WARNING

Always cut off power before any installation, cleaning or maintenance.

Fan not repoding to remote control

- Check all wire's connection.
- Check the power.
- Check the battery of the controller

Fan makes repetitive ticking noise

- Check for obstructions in the rotor path.
- Make sure mounting hardware at the ceiling is fixed.
- Make sure all other hardware and blade attachments are tight.
- Give fan adequate "Break in Period" of several hours to several days then repeat steps above.

Fan makes humming noise

- Be sure you are using the control set supplied with your fan
- Make sure all fittings are firmly fixed

Fan shaking

- Make sure the mounting plate and hardware at the ceiling are secure and firmly fastened. If necessary, use the wood screws provided to further secure the outlet box to the joist.
- Carefully lower motor housing and verify that the mounting plate is secure to the outlet box, screws are tight.