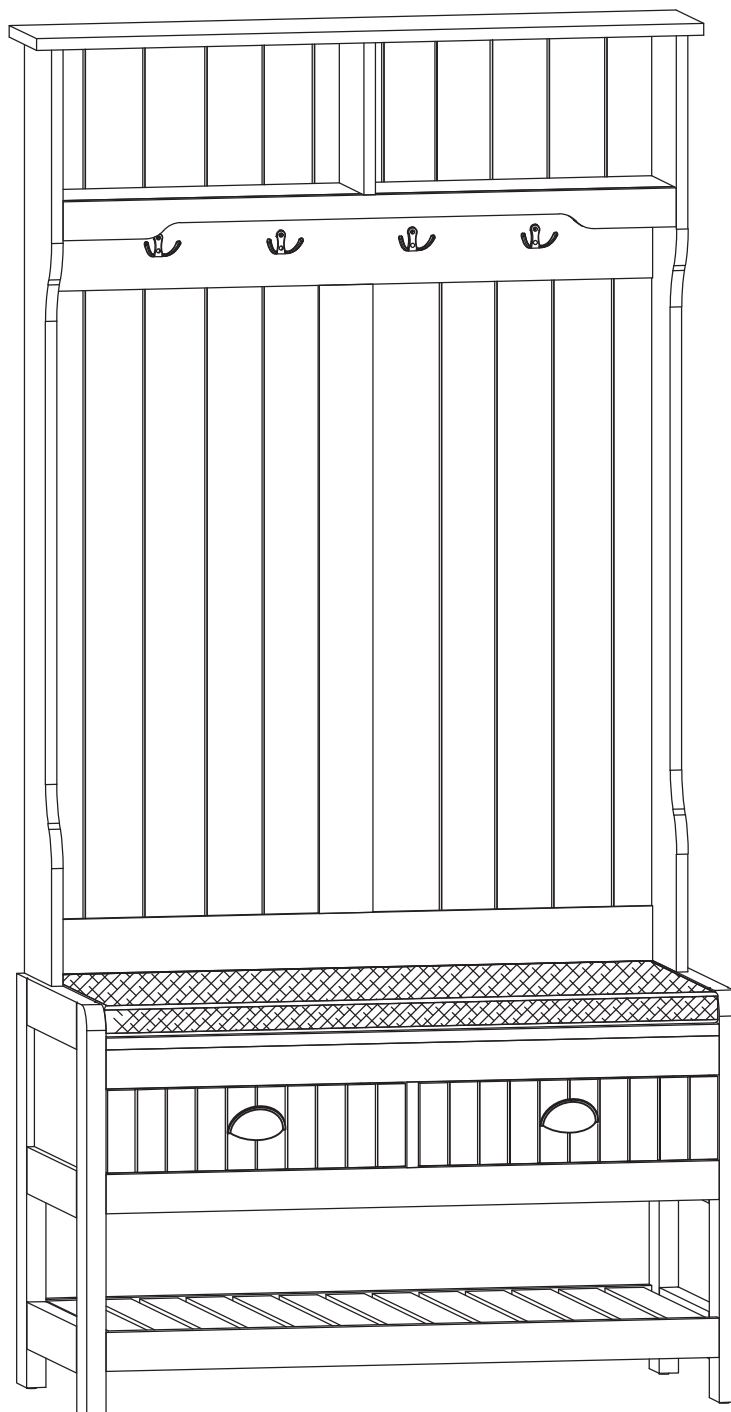
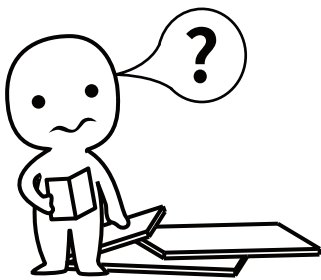


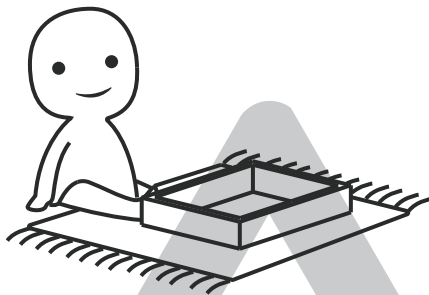
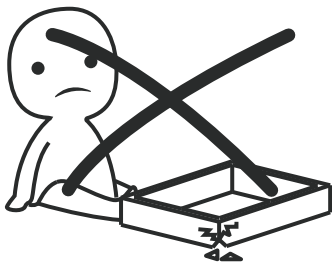
Hall Tree





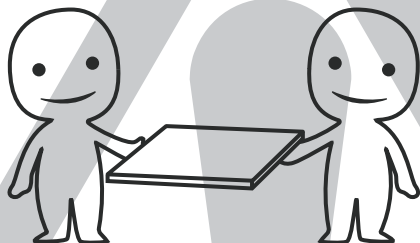
IMPORTANT INFORMATION!

please read the entire manual before starting to assemble and/or using this product. follow the manual thoroughly and keep it for further reference.



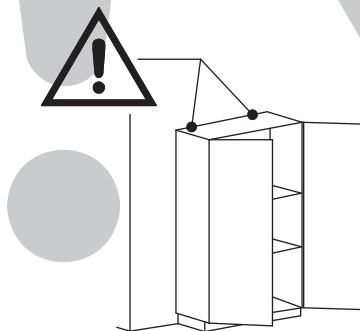
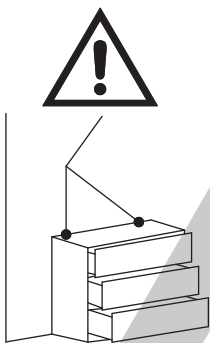
AVOID SCRATCHES!

In order to avoid scratching this furniture should be assembled on a soft layer- could be a rug.



IMPROVE EFFICIENCY !

Try to find a partner to install with you, which can speed up the installation efficiency and shorten the time.



ANTI-TOPPLE WARNING !

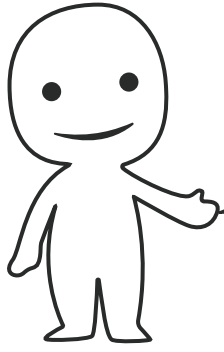
Overturnd furniture can cause serious or fatal crush injuries. To prevent tipping over, be sure to use the wall attachment, if not included with this product. Please purchase the wall attachment that fit your wall. If unsure, seek professional advice. Please read and follow each step of the instructions carefully.

IMPORTANT !

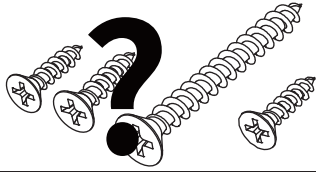
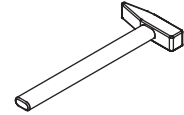
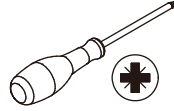
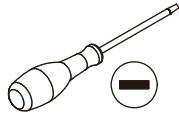
It is important that any product which is assembled using any kind of screw is re-tightened 2 weeks after assembly, and once every 3 months - in order to assure stability through-out the lifespan of the product.

For regular maintenance and cleaning of the product, for the frame, please use a rag dipped in neutral detergent to fully wipe it, and then dry it with a clean rag. For glass materials, wipe with a rag dampened with water glass cleaner, and then dry with a dry rag.

Do not use an electric screwdriver, and do not use too much force when installing, because the board is easy to break.

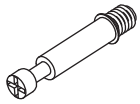


Please prepare the following tools



When installing, please carefully confirm whether each screw corresponds to the manual, accessories with similar shapes can be distinguished by size

Ax32



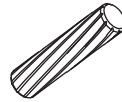
Ø6x35mm

Bx32



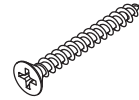
Ø15x10mm

Cx60



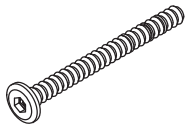
Ø6x30mm

Dx13



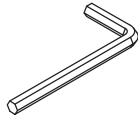
Ø4x40mm

Ex12



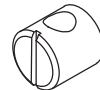
Ø6x60mm

Fx1



M4mm

Gx12



Ø10x10mm

Hx21



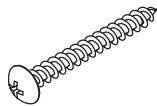
Ø20mm

Ix24



Ø3.5x12mm

Jx4



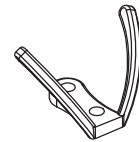
Ø4x35mm

Kx4



Ø15mm

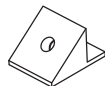
Lx4



Mx8



Nx28

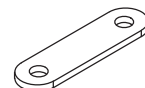


Ox28

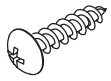


Ø3x16mm

Px3

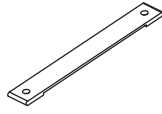


Qx8



Ø4x14mm

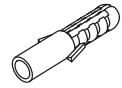
Rx2



Sx4



Tx2



Ø6x30mm

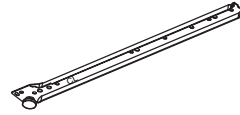
Ux2



Vx4

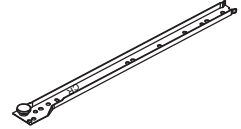


CLx2



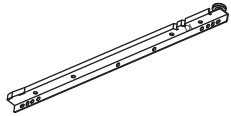
300mm

CRx2



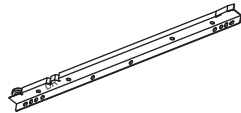
300mm

DLx2

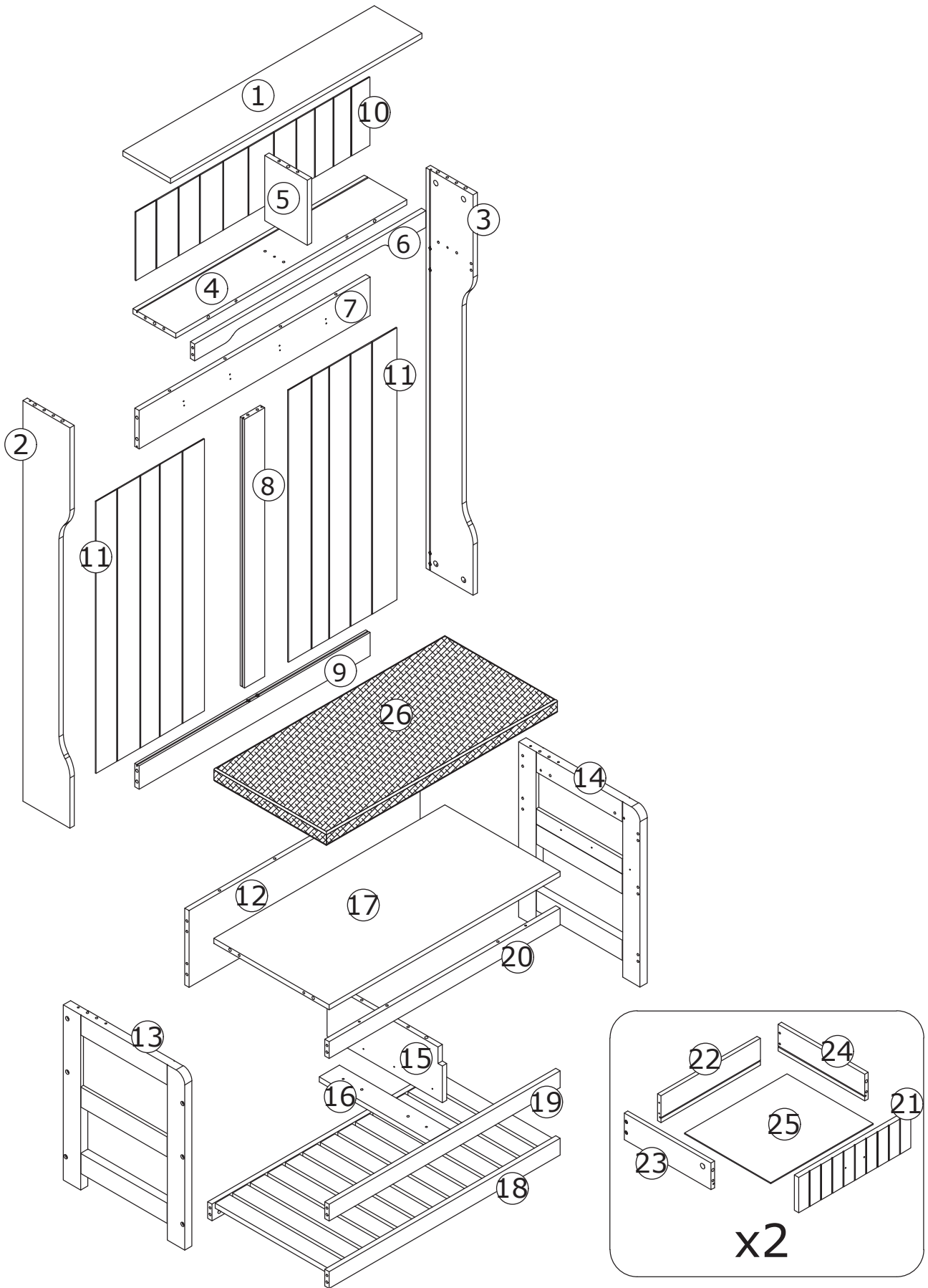


300mm

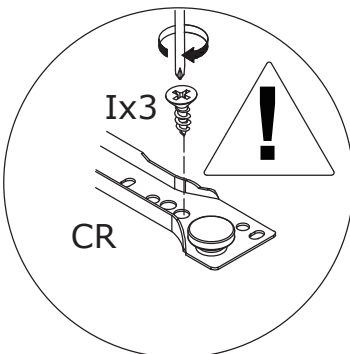
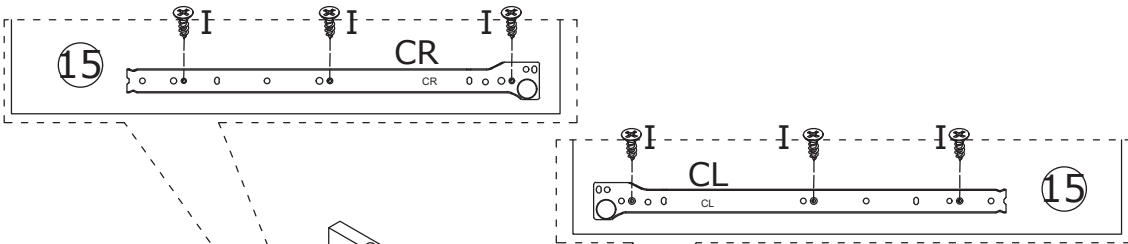
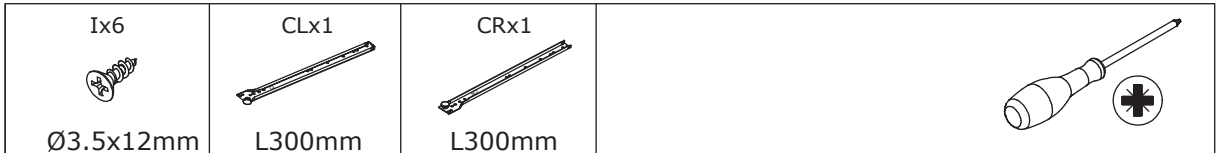
DRx2



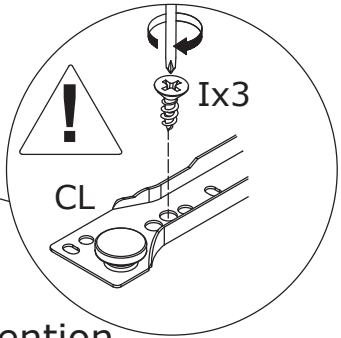
300mm



1



Attention, First hole



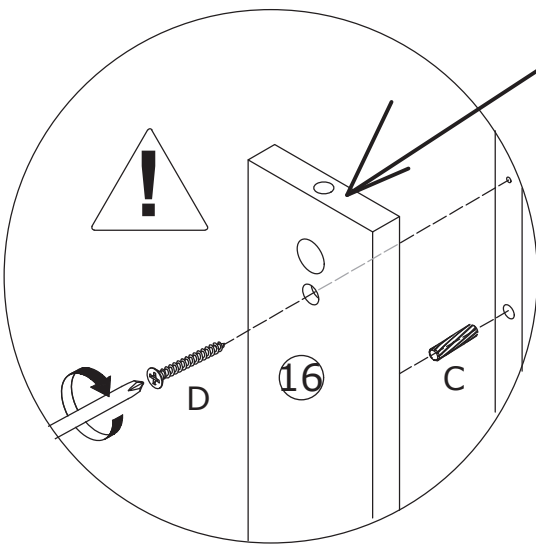
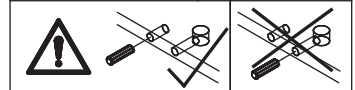
Attention, second hole

Fix slide rail(CL) and (CR) to right and left side of board 15 with screw(I) as shown.

2



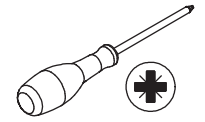
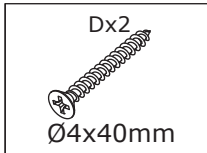
Please pay attention to the holes where the accessories are inserted



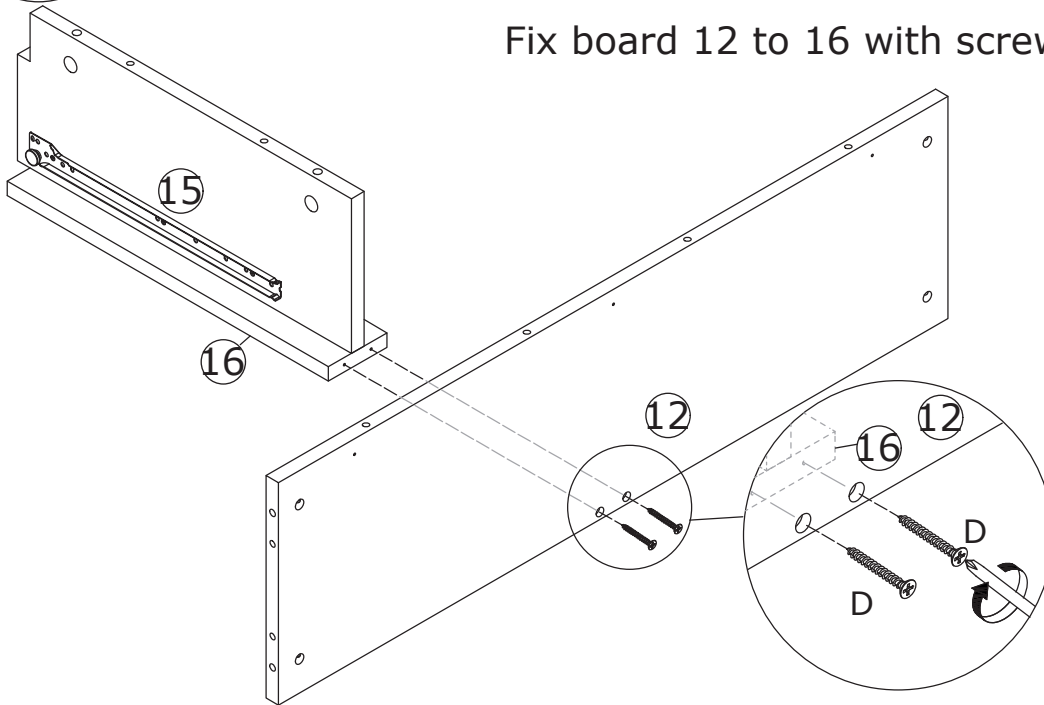
upper/obere

Attach board 16 to 15 with wooden dowel(C) and screw(D) as shown.

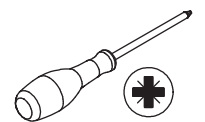
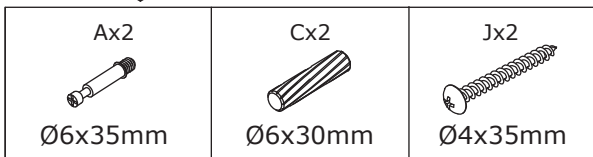
3



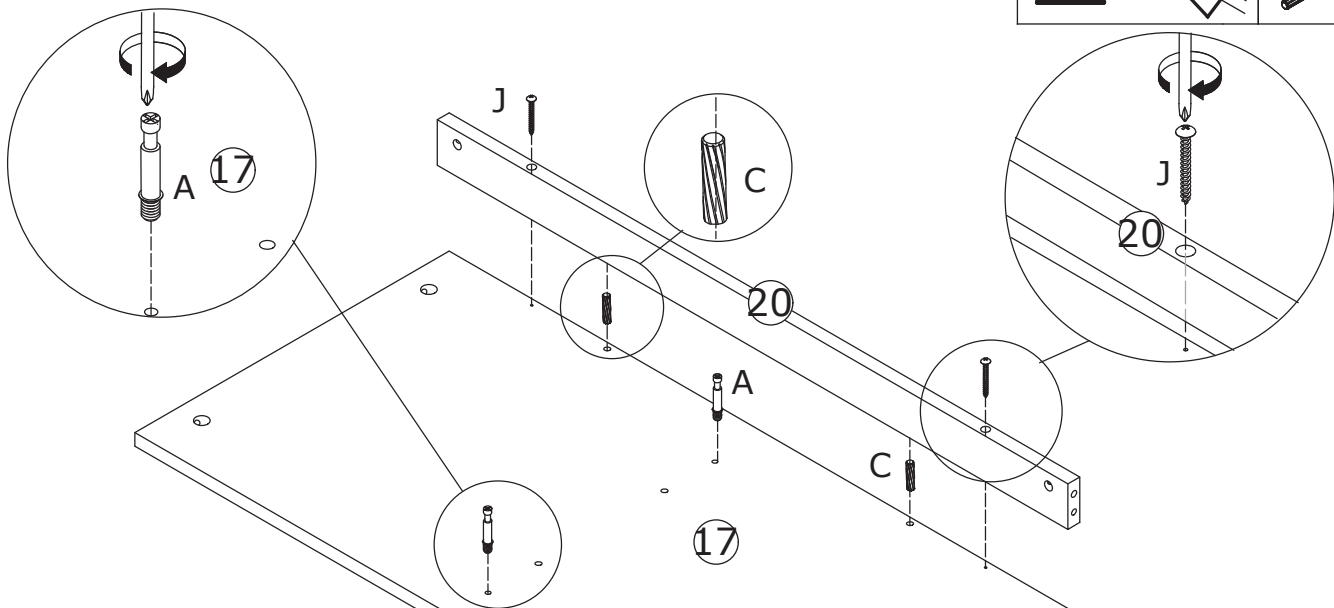
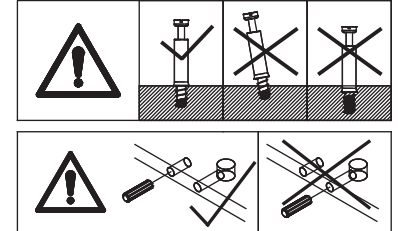
Fix board 12 to 16 with screw(D) as shown.



4



Insert quickfit screw(A) into board 17 with screwdriver.
Attach board 20 to 17 with wooden dowel(C) and screw(J) as shown.




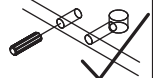
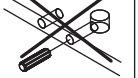

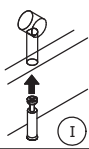
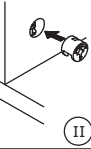
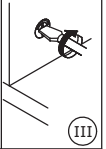
Please do not use force during the rotation of the accessories, otherwise it may cause the board to crack.

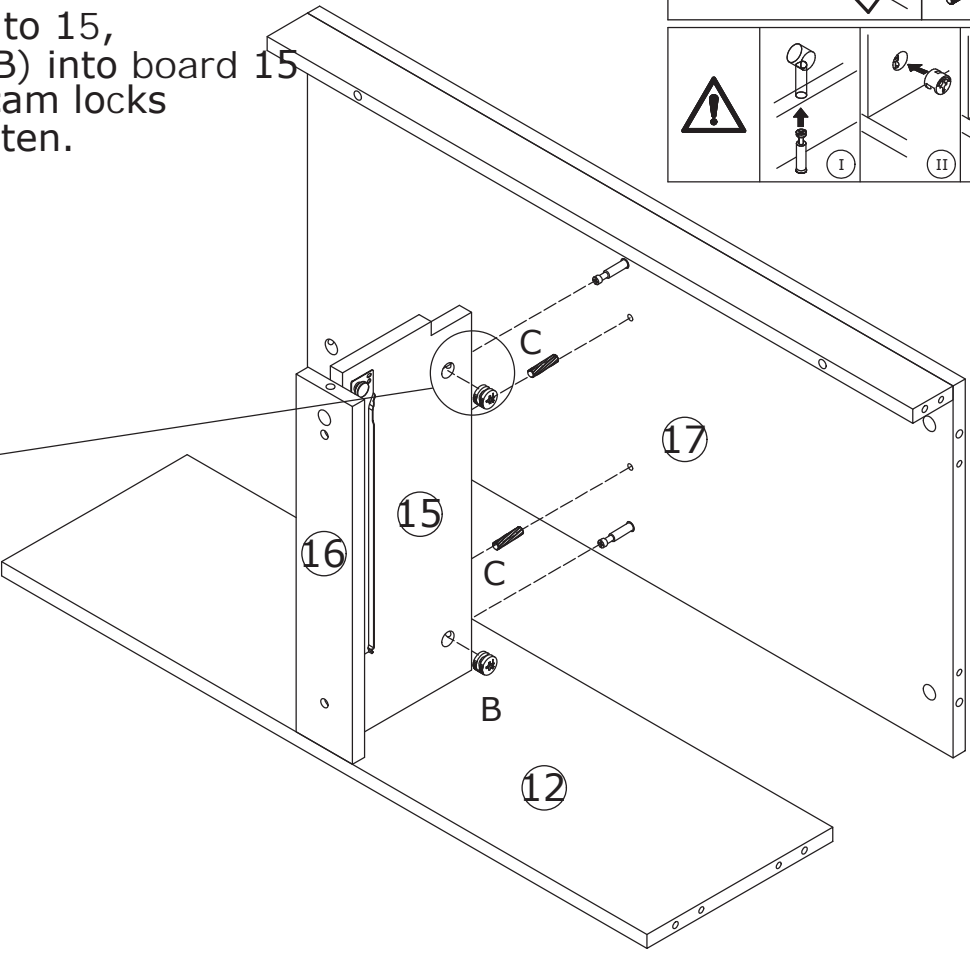
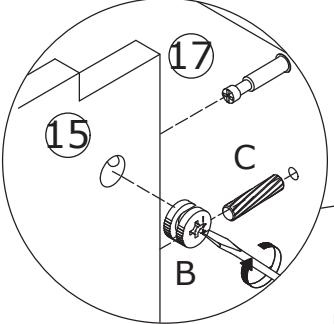
5

Bx2  Ø15x10mm	Cx2  Ø6x30mm	
--	---	---

Please pay attention to the holes where the accessories are inserted

Attach board 17 to 15, insert cam lock(B) into board 15 as shown, turn cam locks clockwise to tighten.


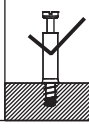
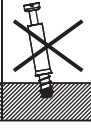
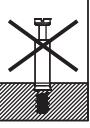
		
		
		

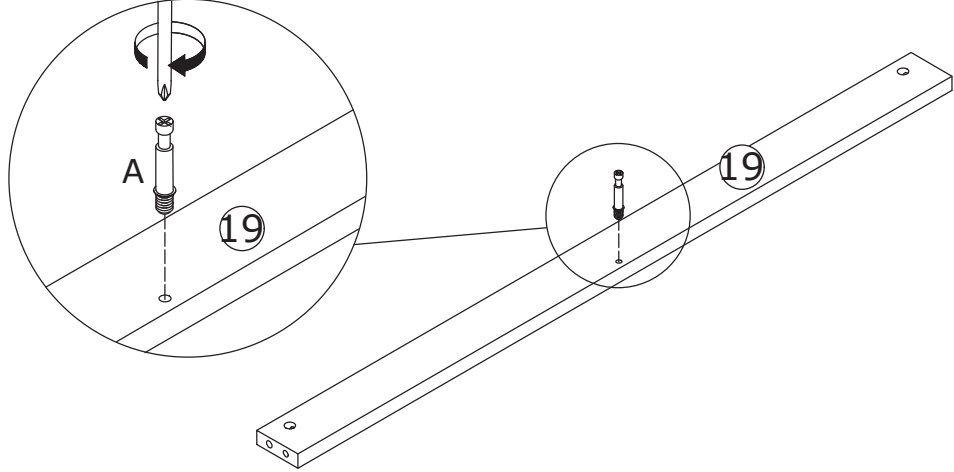


6


Ax1  Ø6x35mm	
---	---

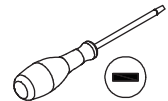
Do not use an electric screwdriver, do not use force during the rotation of the accessories, otherwise it may cause the board to crack

			
---	---	---	---

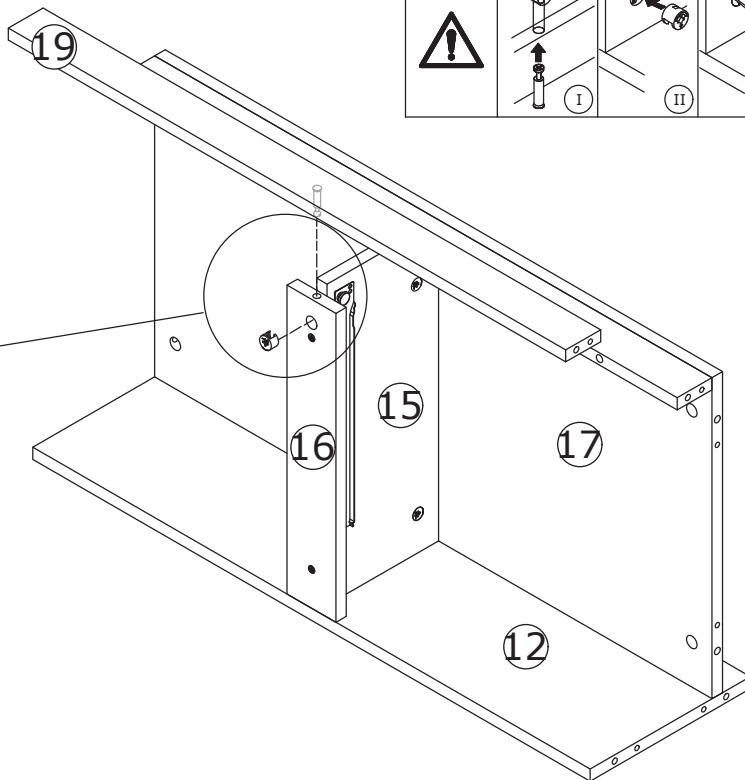
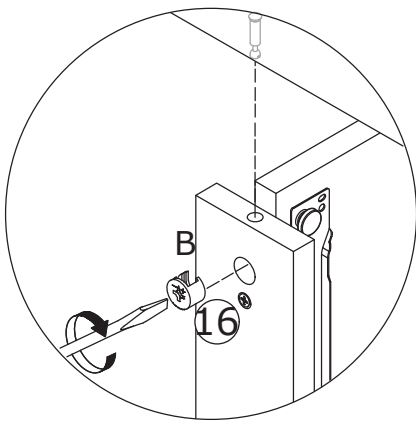
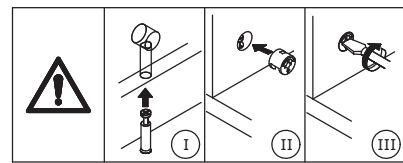


7


Bx1

Ø15x10mm



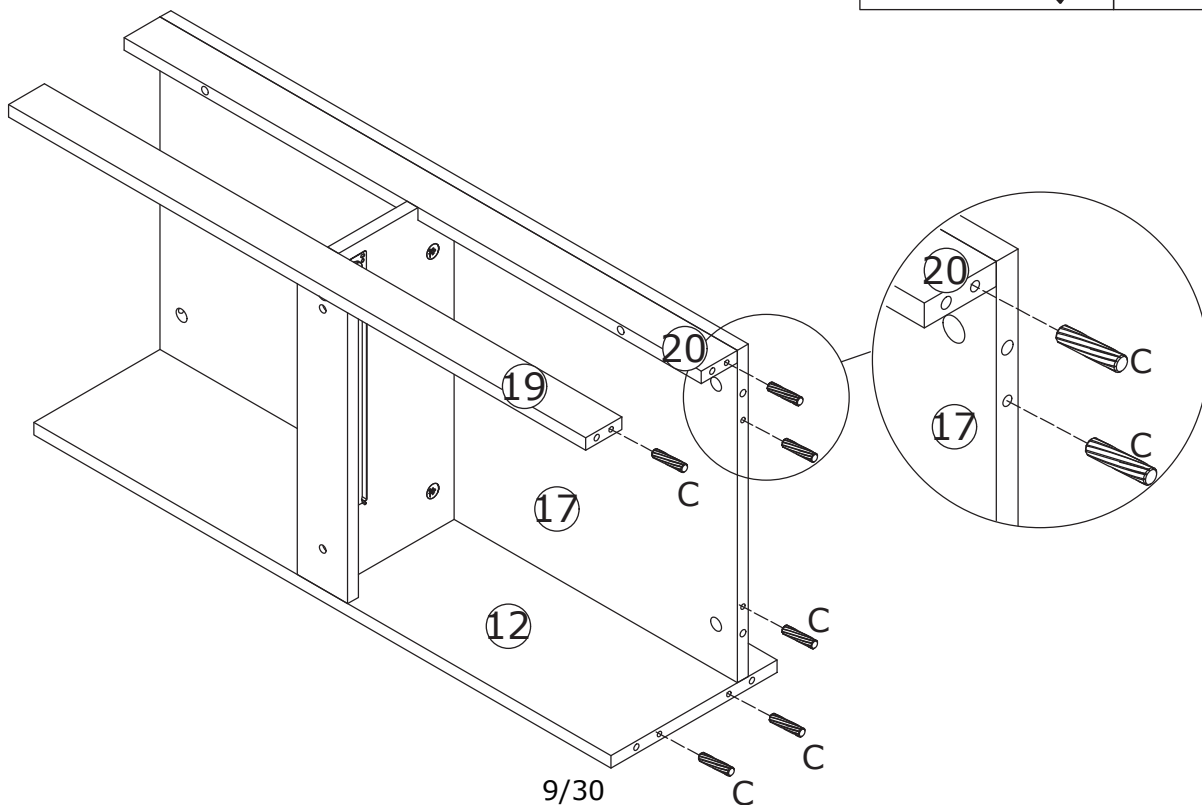
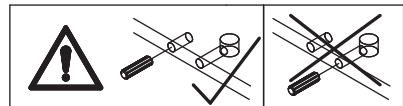
Attach board 16 to 19, insert cam lock(B) into board 16 as shown, turn cam locks clockwise to tighten.






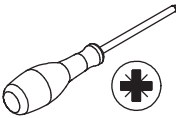
8

Cx6

Ø6x30mm

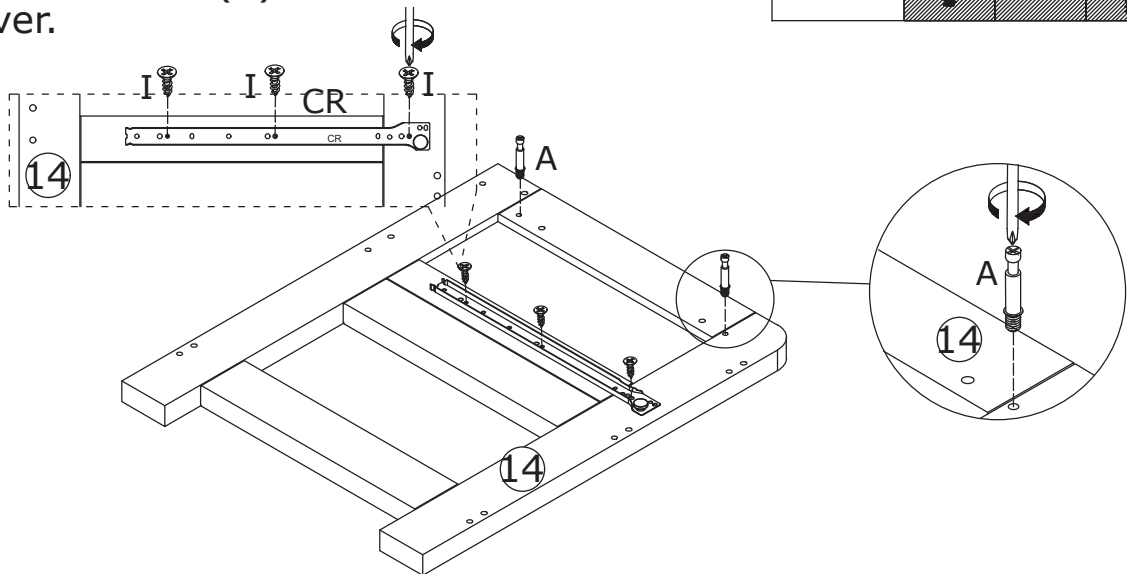
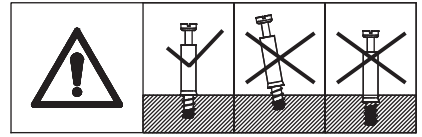
Insert wooden dowel(C) into corresponding holes in board 19, 20, 17 and 12 as shown.







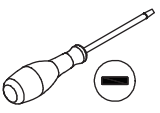
9

Ax2  Ø6x35mm	Ix3  Ø3.5x12mm	CRx1  L300mm	
---	---	---	---

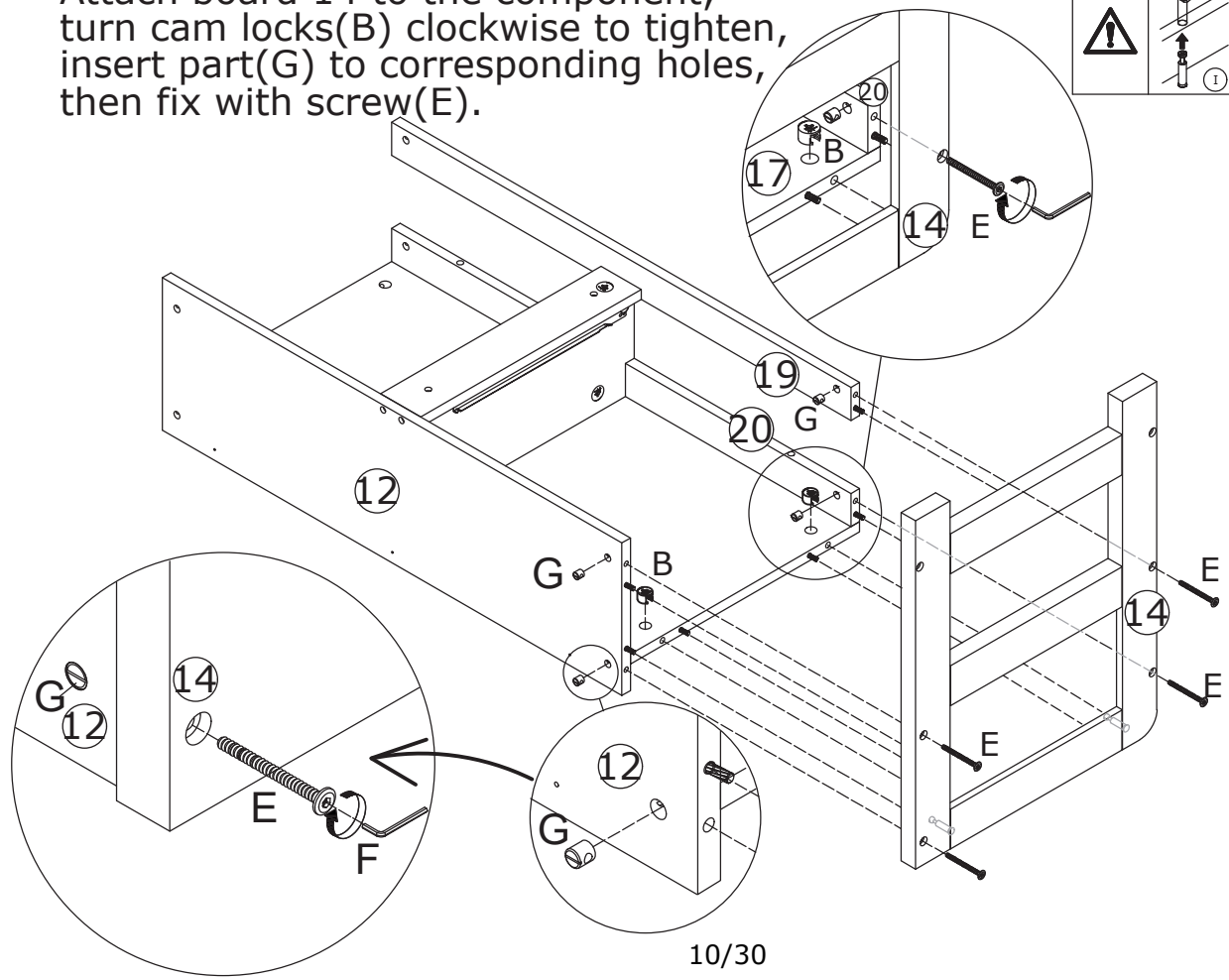
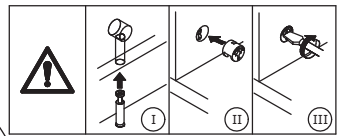
Fix slide rail(CR) to board 14 with screw(I) as shown.
Insert quickfit screw(A) into board 14 with screwdriver.





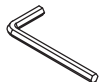

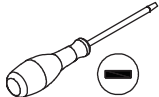
10

Bx2  Ø15x10mm	Ex4  Ø6x60mm	Fx1  M4mm	Gx4  Ø10x10mm	
--	--	--	---	--

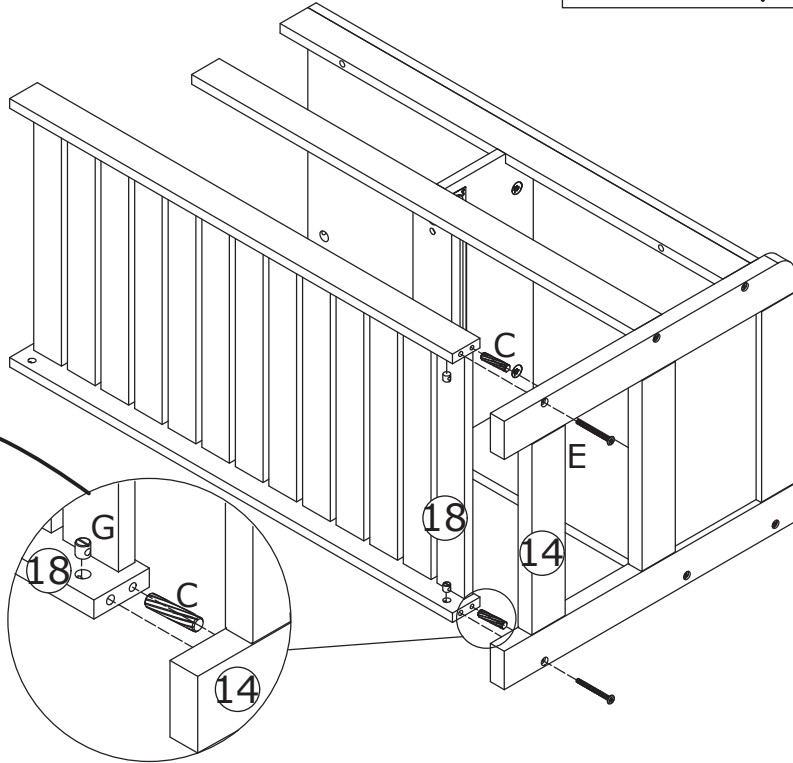
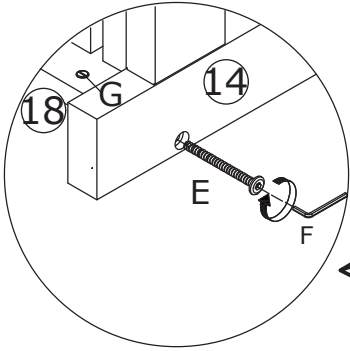
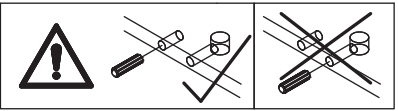
Attach board 14 to the component, turn cam locks(B) clockwise to tighten, insert part(G) to corresponding holes, then fix with screw(E).



11

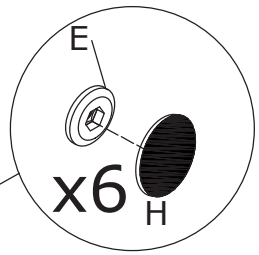
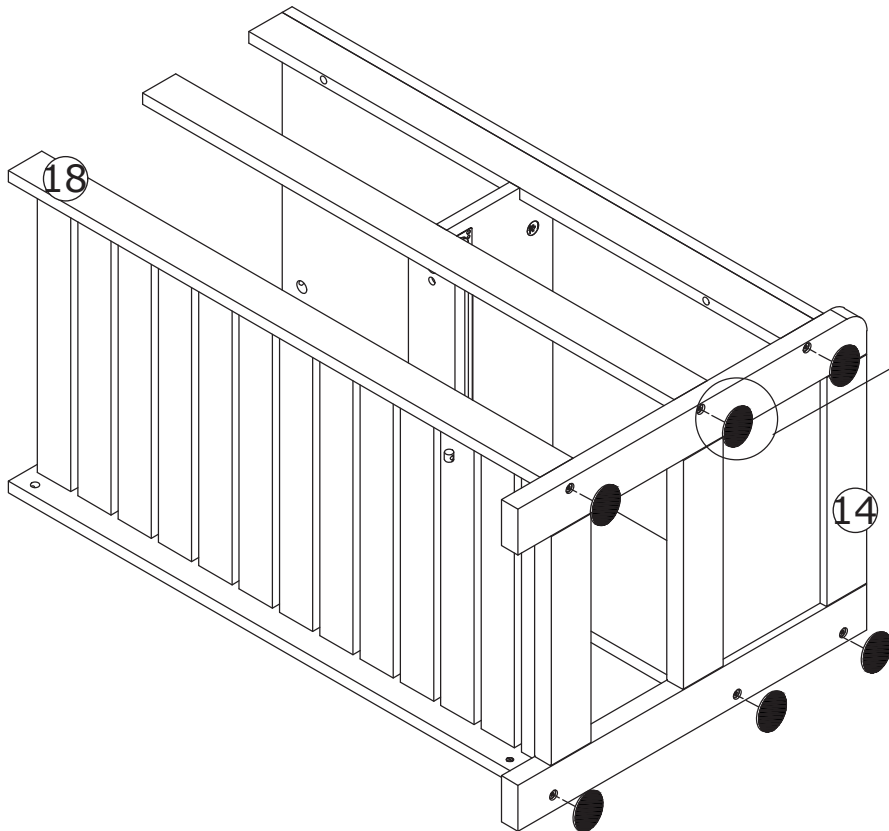
Cx2  Ø6x30mm	Ex2  Ø6x60mm	Fx1  M4mm	Gx2  Ø10x10mm	
---	---	--	---	---

Connect board 18 to 14 with wooden dowel(C), insert part(G) to corresponding holes, then fix with screw(E).



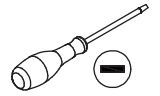
12

Cx6  Ø20mm

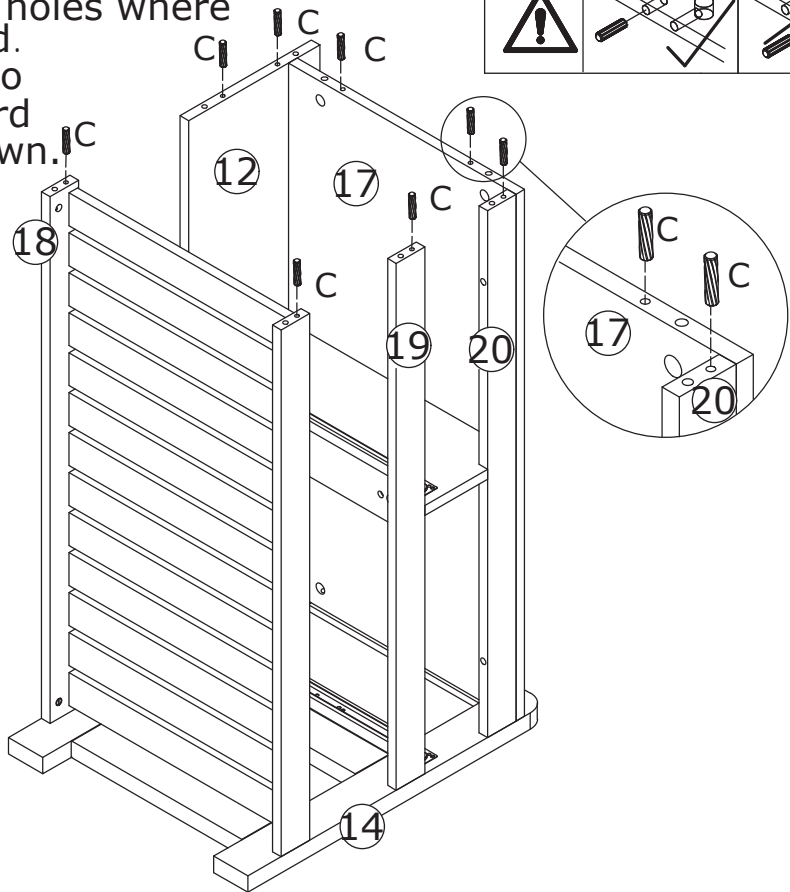
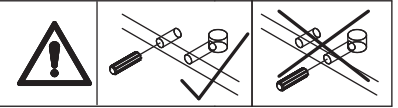


13

Cx8
Ø6x30mm



Please pay attention to the holes where the accessories are inserted. Insert wooden dowel(C) into corresponding holes in board 19,20,17,12 and 18 as shown.

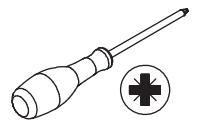


14

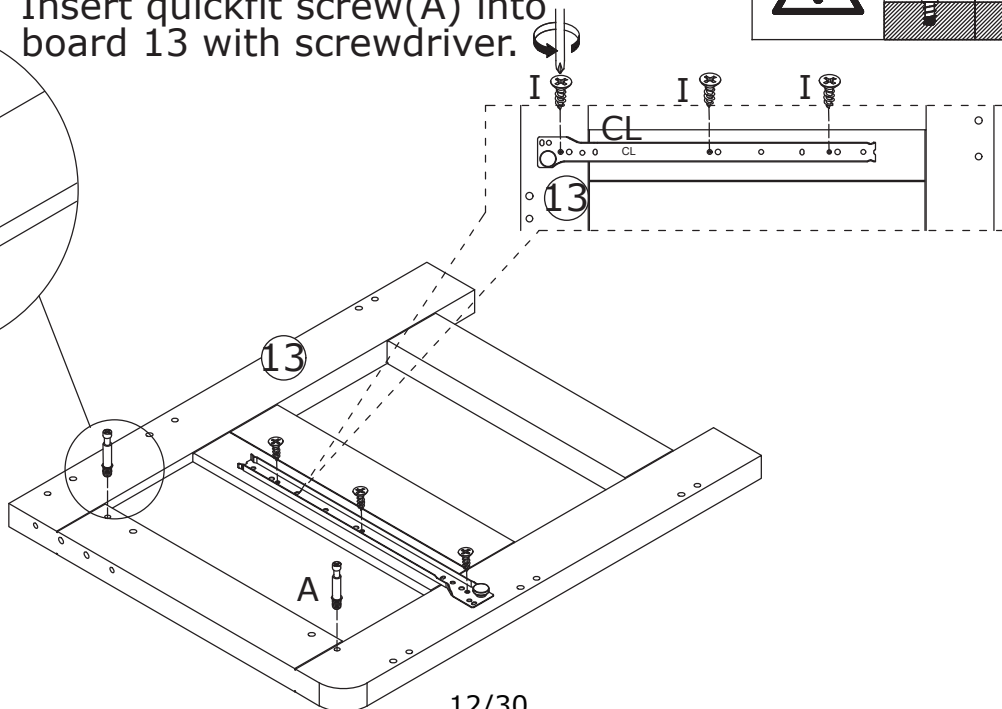
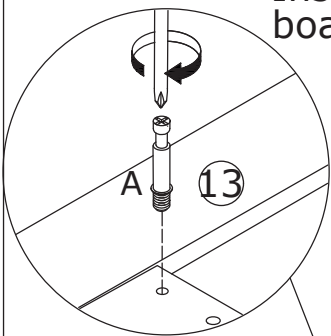
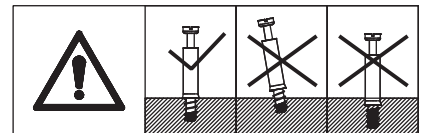
Ax2
Ø6x35mm

Ix3
Ø3.5x12mm



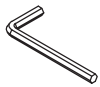

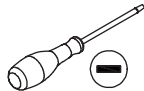
CLx1
L300mm



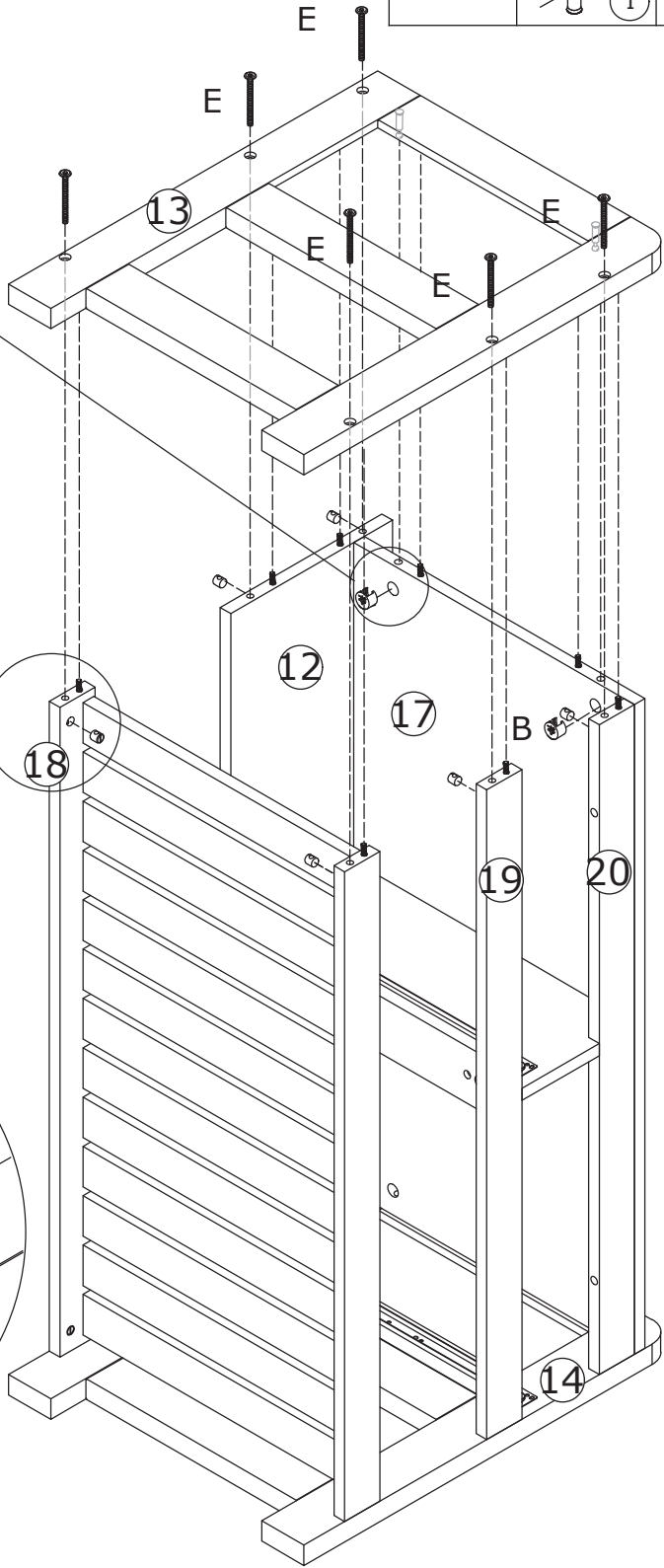
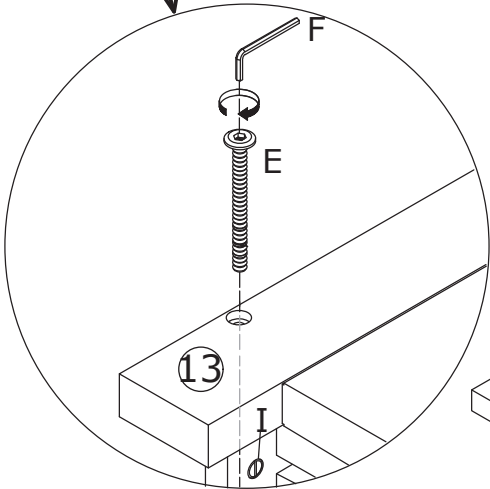
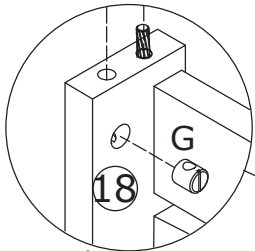
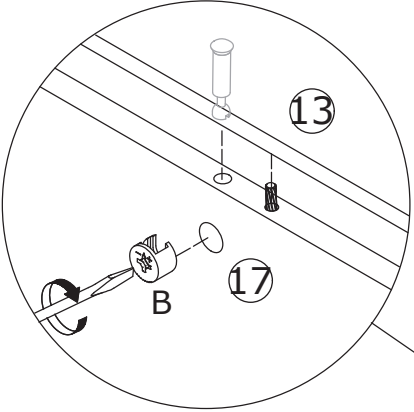
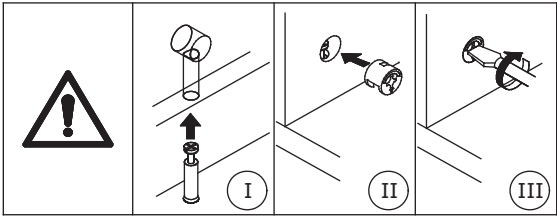
Fix slide rail(CL) to board 13 with screw(I) as shown. Insert quickfit screw(A) into board 13 with screwdriver.



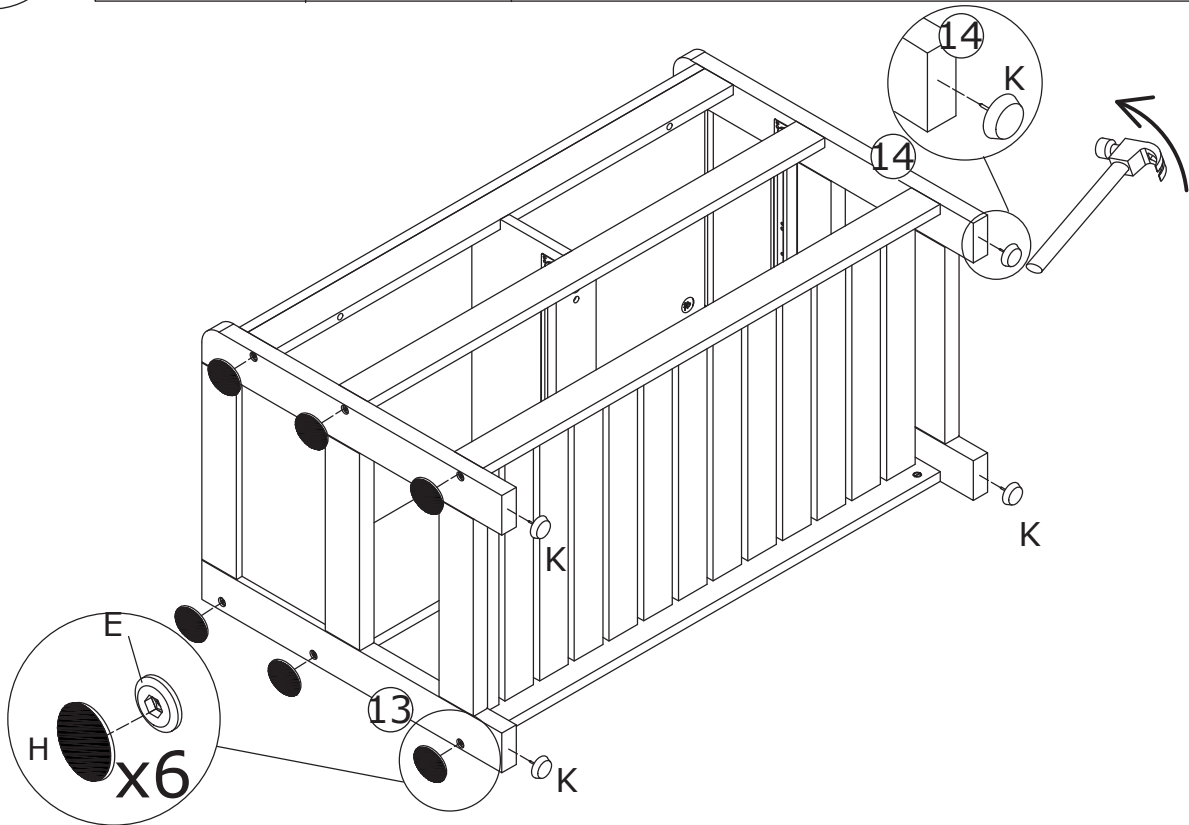
15

Bx2  Ø15x10mm	Ex6  Ø6x60mm	Fx1  M4mm	Gx6  Ø10x10mm	
--	---	--	--	---

Attach board 13 to the component, turn cam locks(B) clockwise to tighten, insert part(G) to corresponding holes, then fix with screw(E).



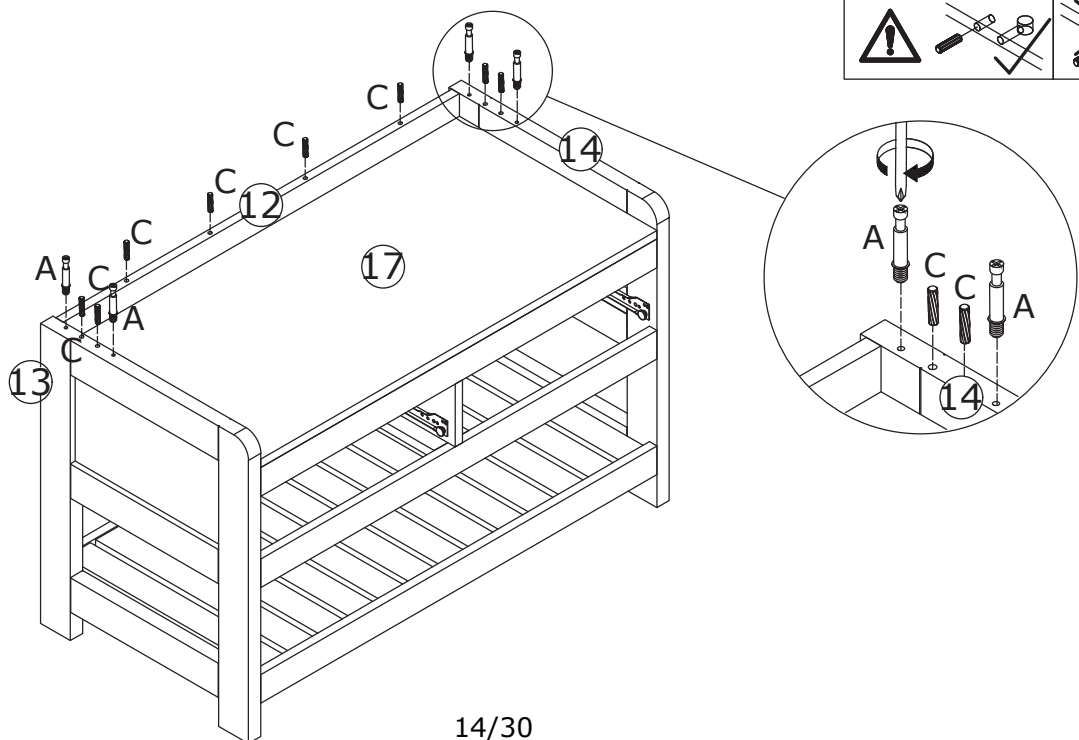
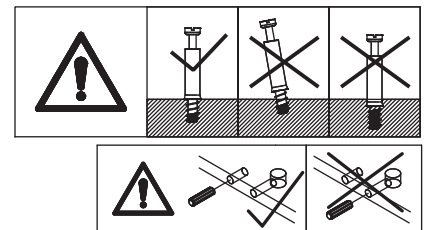
16



17



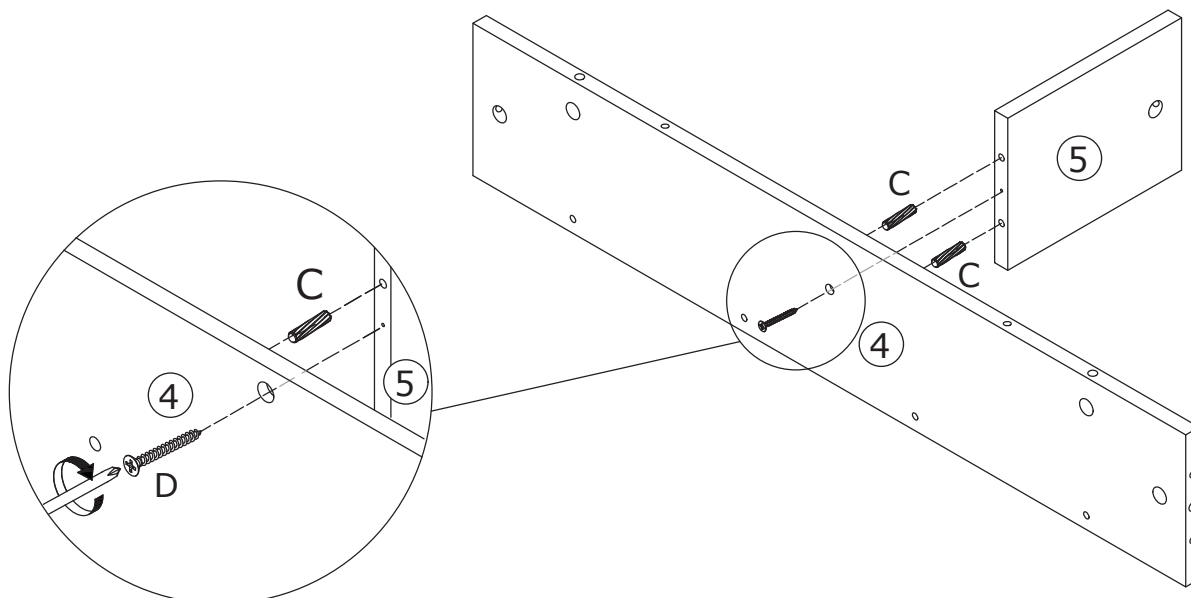
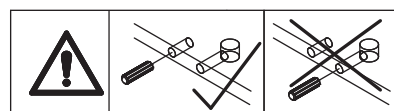
Insert quickfit screw(A) and wooden dowel(C) into board 17 as shown.



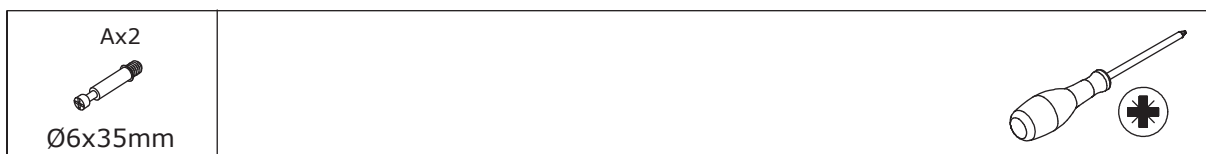
18



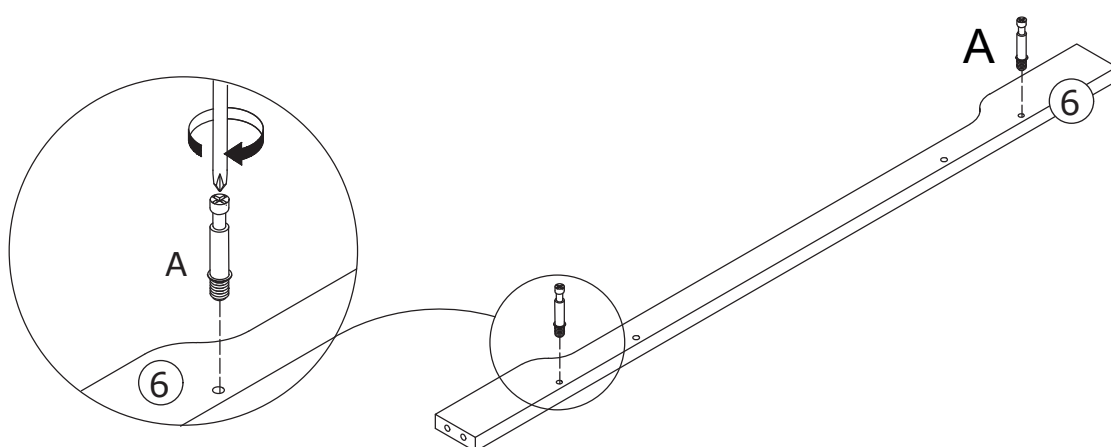
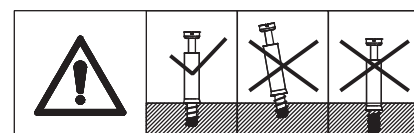
Attach board 5 to 4 with wooden dowel(C) and screw(D) as shown.








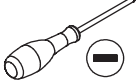
19



Do not use an electric screwdriver, do not use force during the rotation of the accessories, otherwise it may cause the board to crack

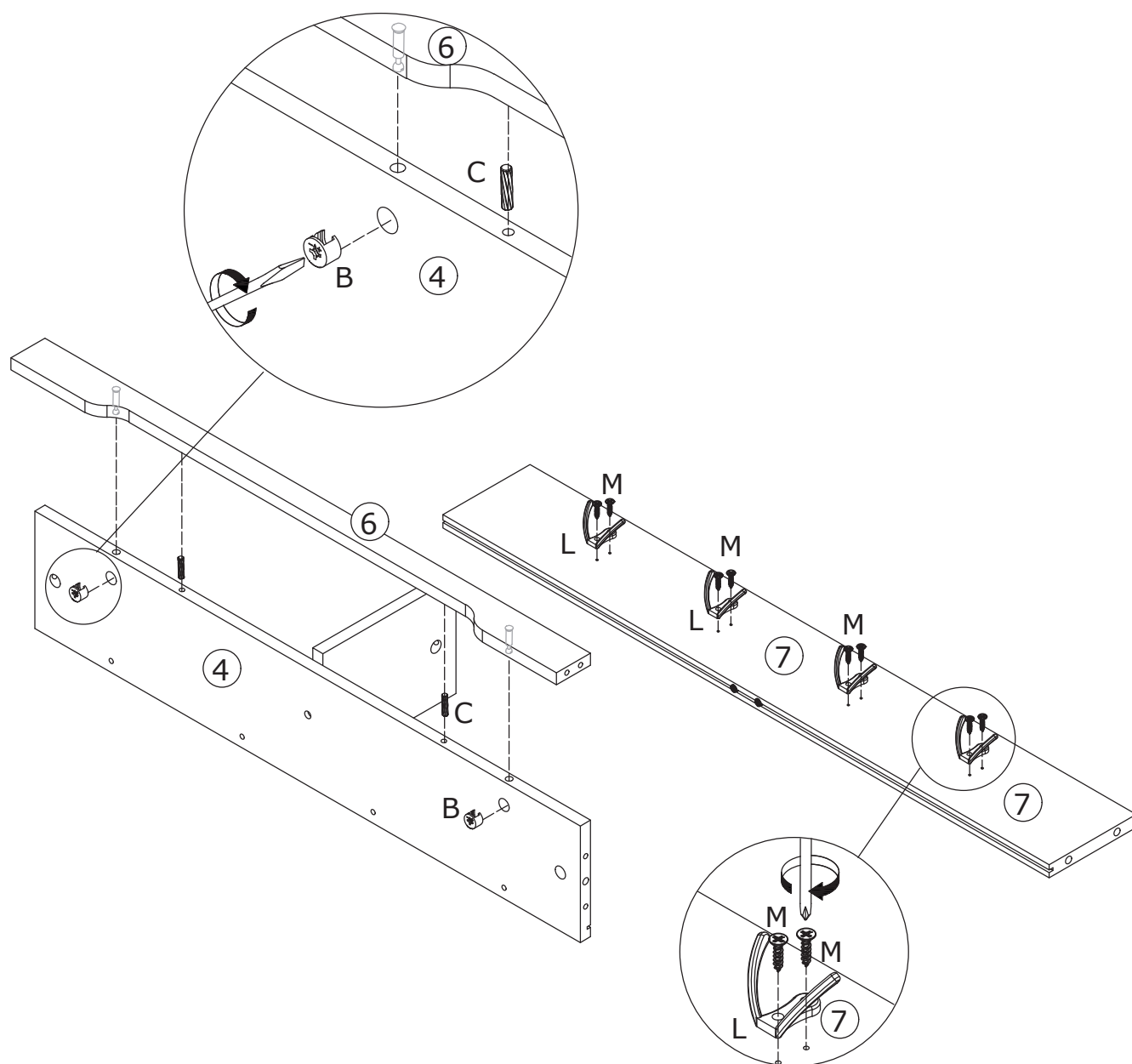
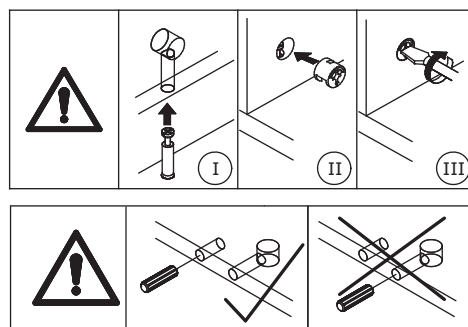


20

Bx2  Ø15x10mm	Cx2  Ø6x30mm	Lx4 	Mx8 	 
--	---	--	---	---

Attach board 6 to 4, insert cam locks(B) into board 4 as shown, turn cam locks clockwise to tighten.

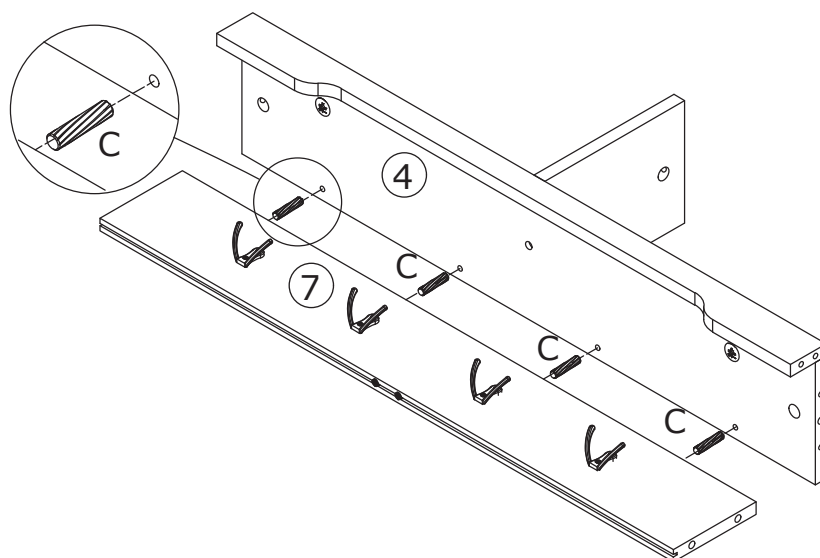
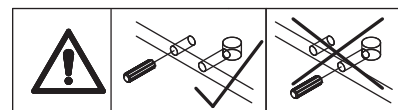
Fix part(L) to board 7 with screw(M) as shown.



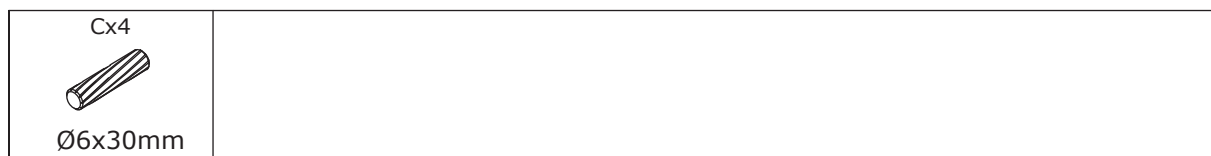
21



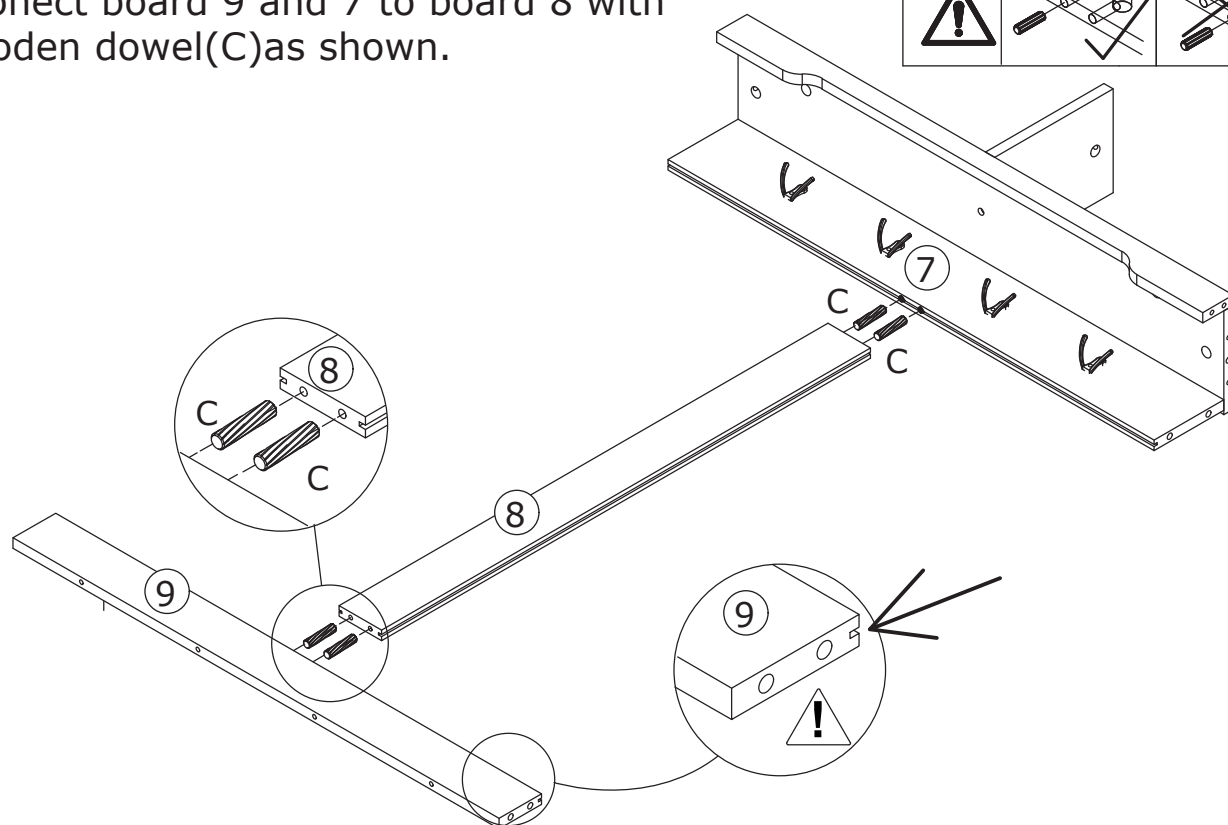
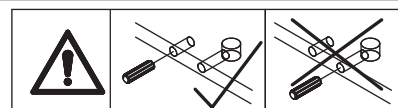
Connect board 7 to 4 with wooden dowel(C) as shown.



22



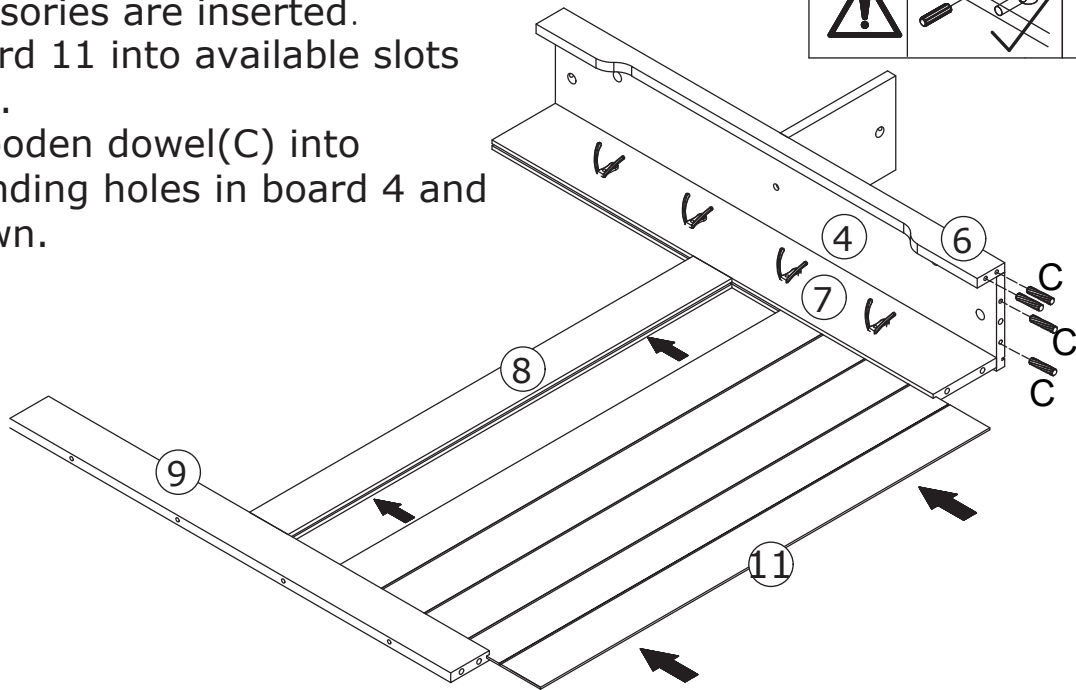
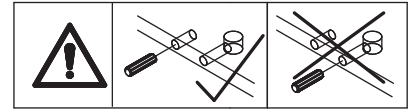
Coonect board 9 and 7 to board 8 with wooden dowel(C)as shown.



23



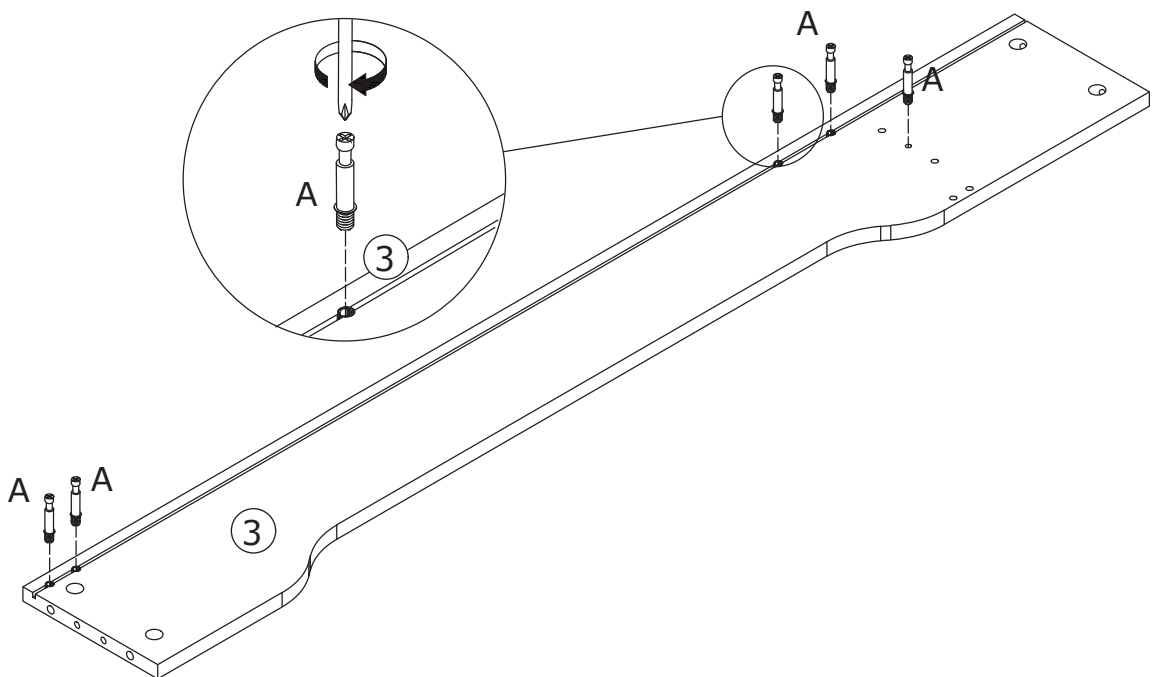
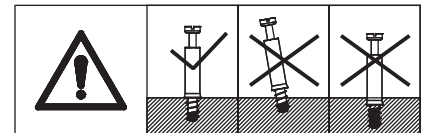
Please pay attention to the holes where the accessories are inserted.
Slide board 11 into available slots as shown.
Insert wooden dowel(C) into corresponding holes in board 4 and 6 as shown.



24



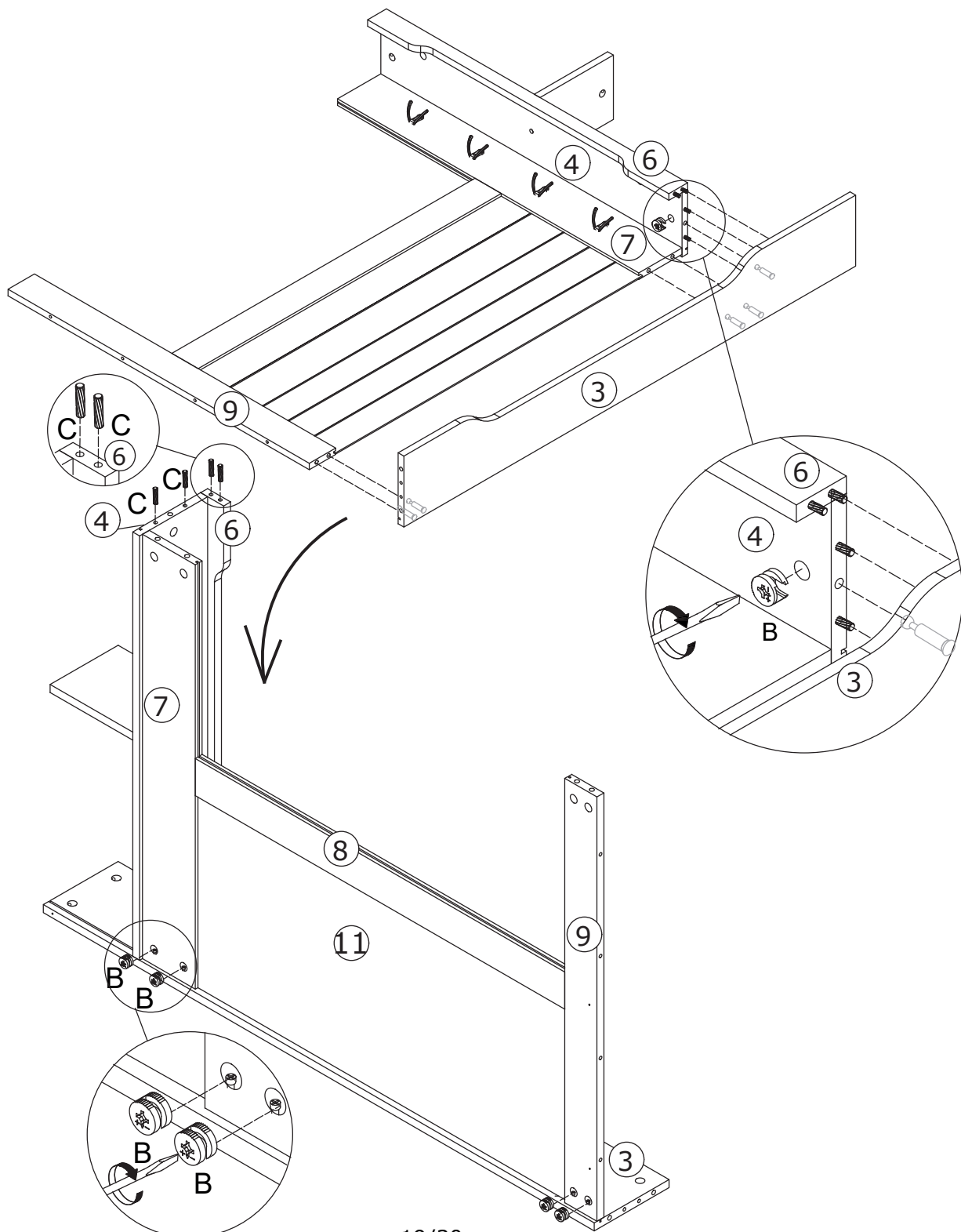
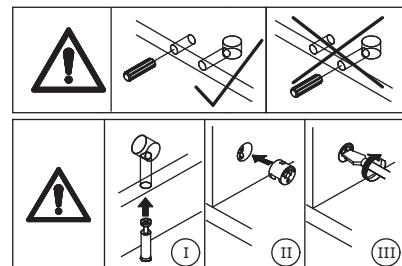
Do not use an electric screwdriver, do not use force during the rotation of the accessories, otherwise it may cause the board to crack



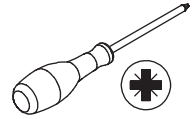
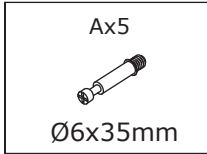
25



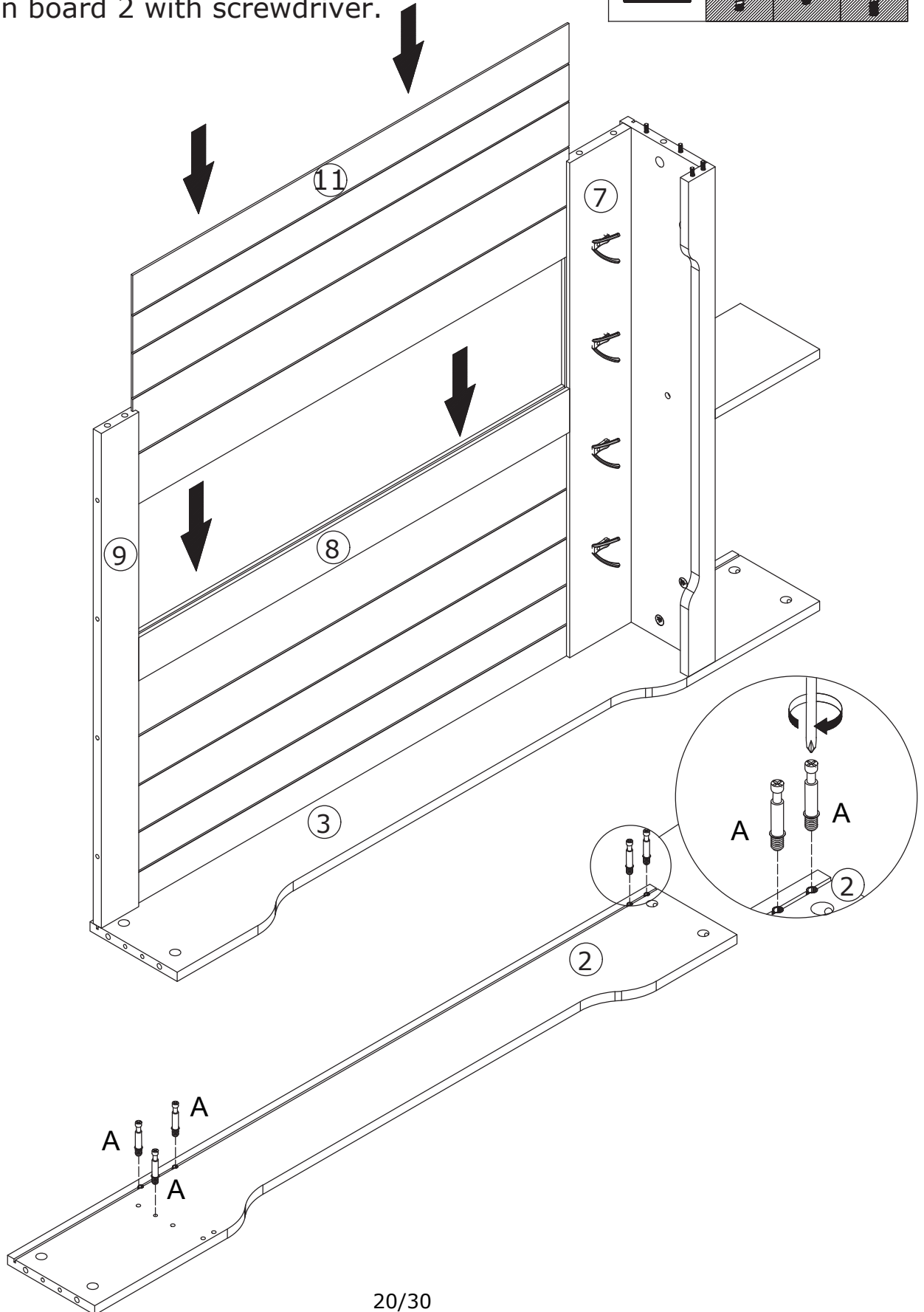
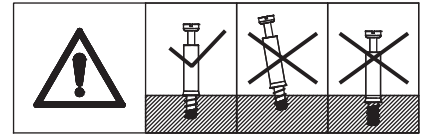
Attach board 3 to the component, insert cam locks(B) into board 4,7 and 9 as shown, turn cam locks clockwise to tighten.
Insert wooden dowel(C) into corresponding holes in board 4 and 6 as shown.



26



Slide board 11 into available slots as shown. Insert quickfit screw(A) into corresponding holes in board 2 with screwdriver.

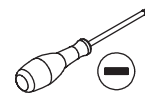


27

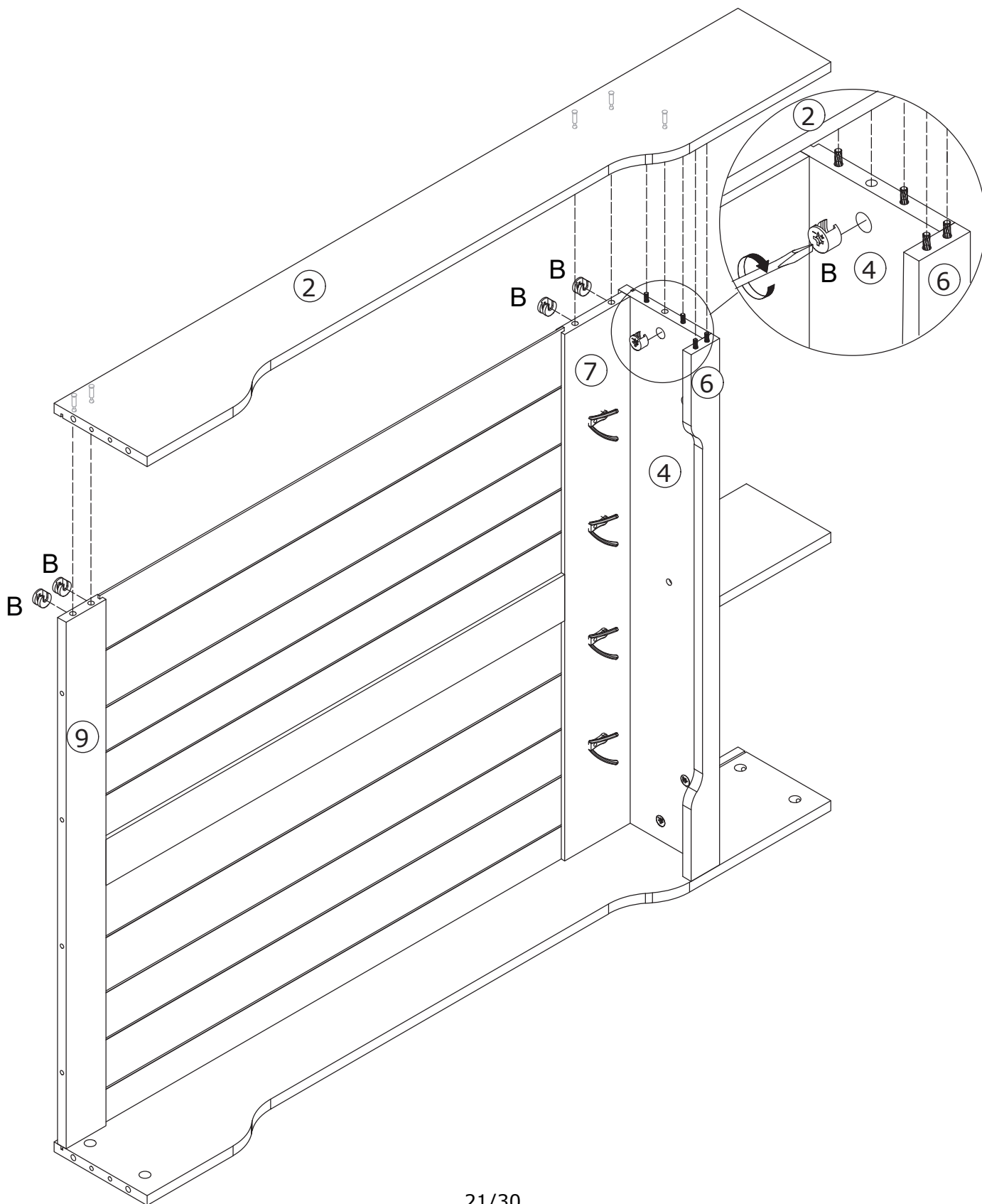
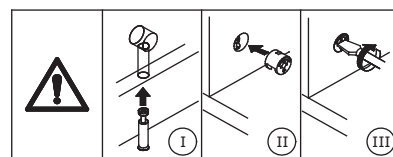
Bx5



Ø15x10mm



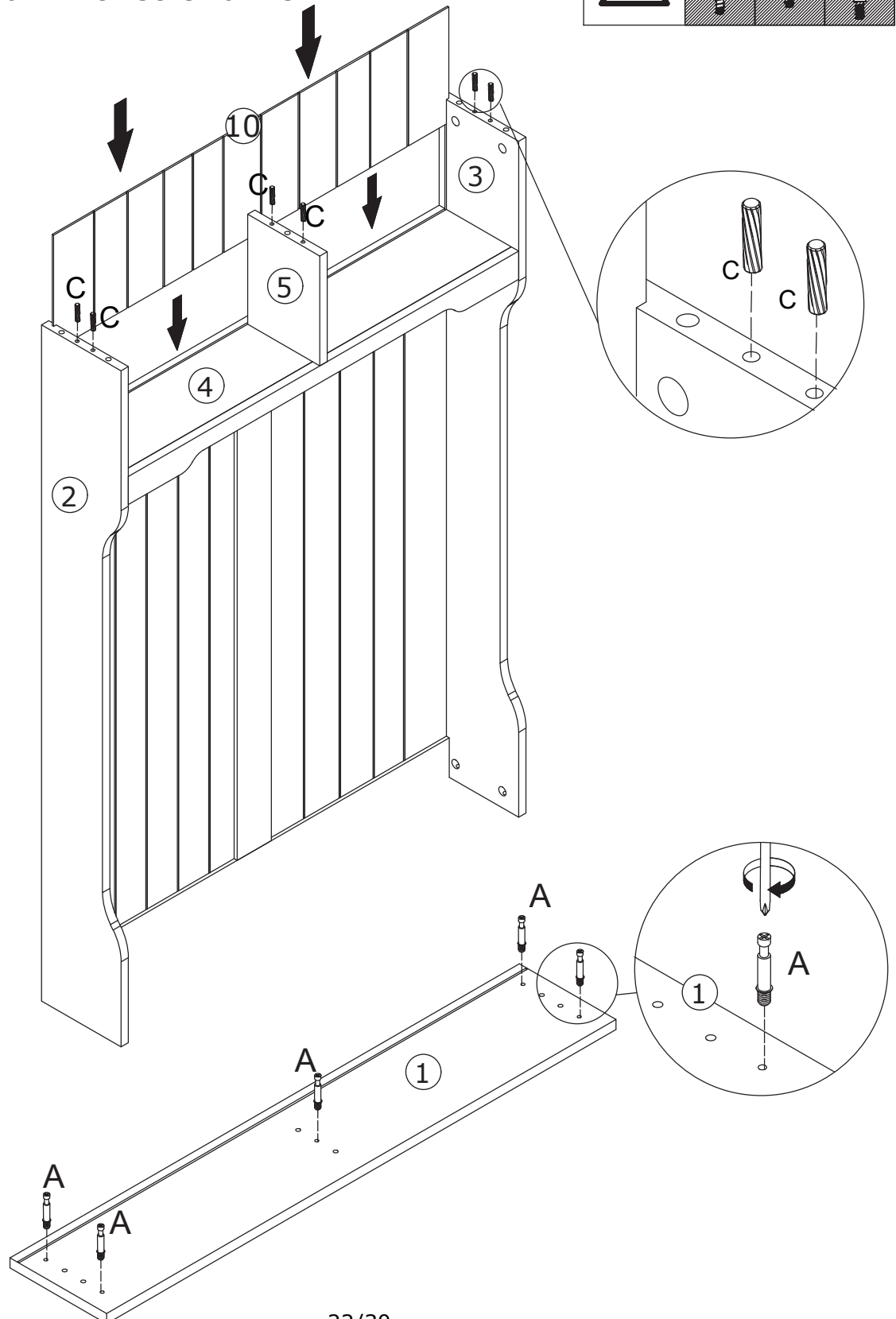
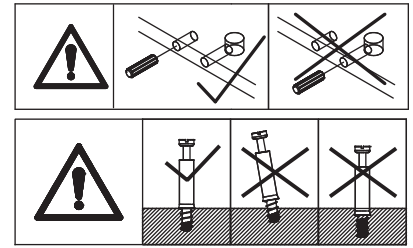
Attach board 2 to the component, insert cam locks (B) into board 9, 7 and 4 as shown, turn cam locks clockwise to tighten.





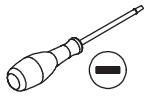
28



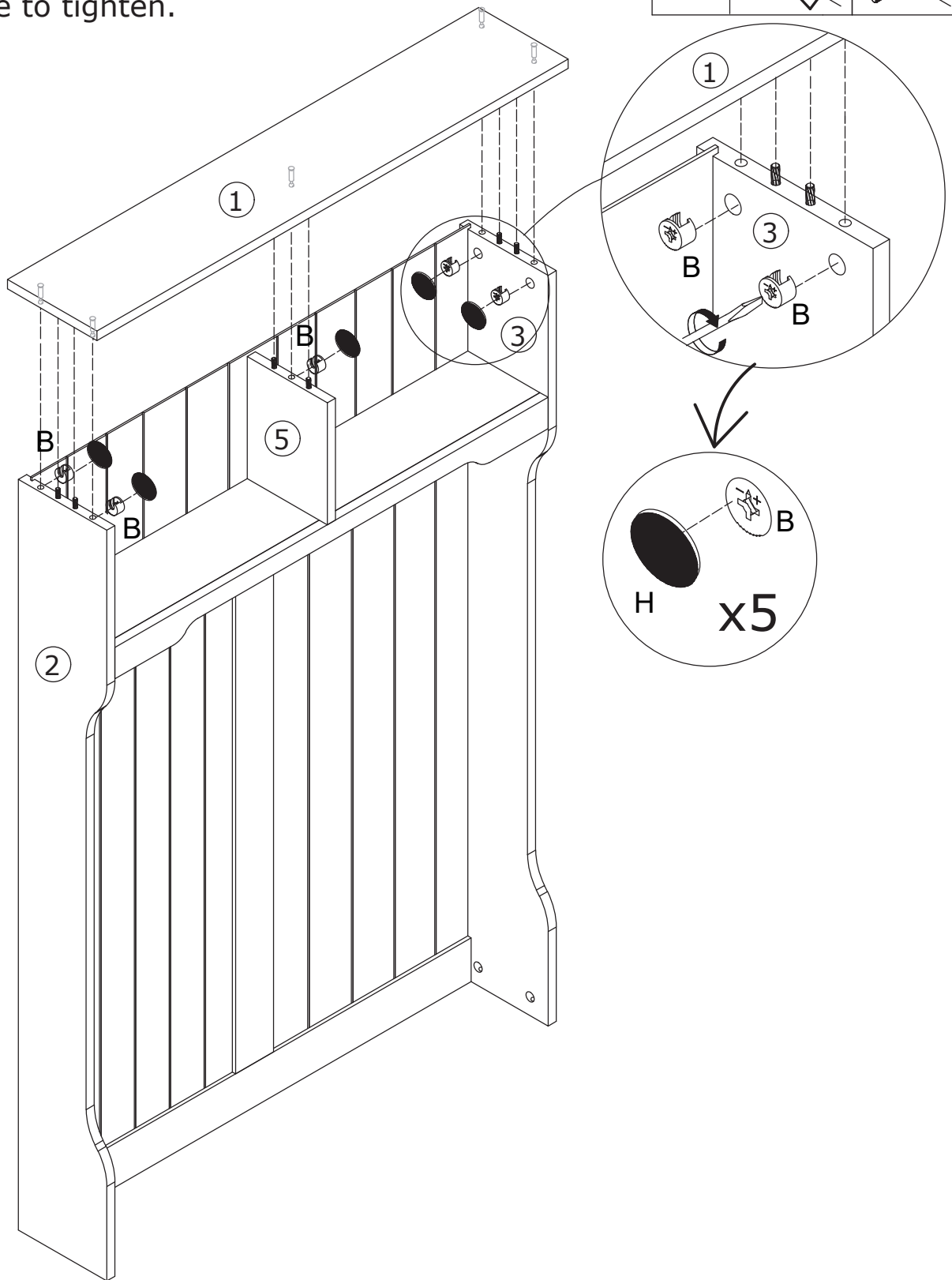
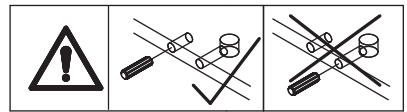
Slide board 10 into available slots as shown.
Insert wooden dowel(C) into corresponding holes in board 2,5 and 3 as shown.
Insert quickfit screw(A) into corresponding holes in board 1 with screwdriver.



29

Bx5  Ø15x10mm	Hx5  Ø20mm	
--	---	---

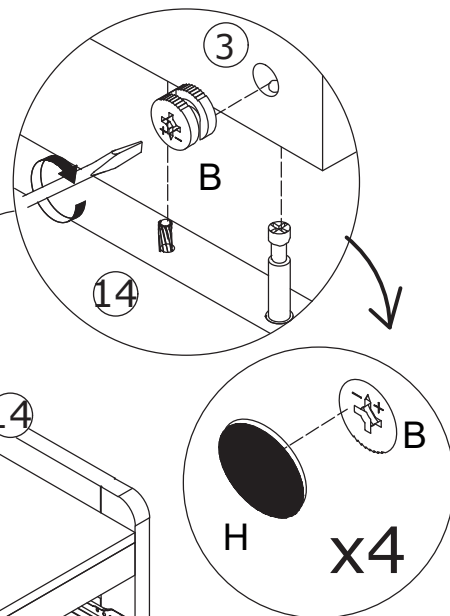
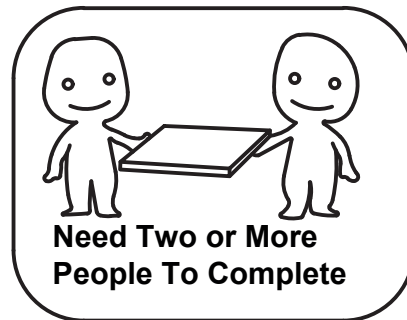
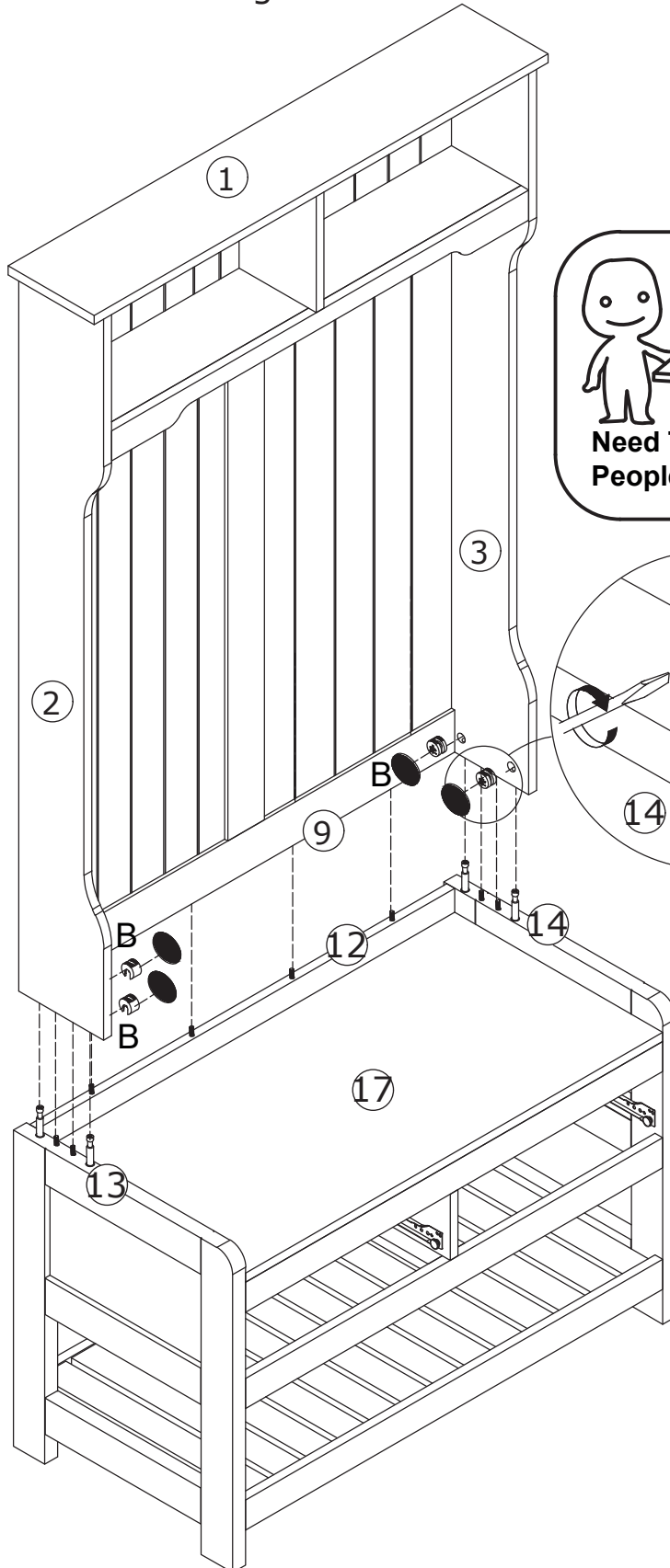
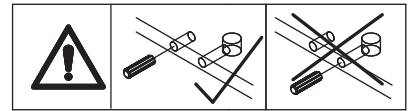
Cover board 1 to the top of unit, insert cam locks(B) into board 2,5 and 3 as shown, turn cam locks clockwise to tighten.





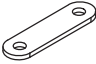



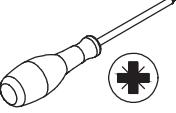
30

Bx4  Ø15x10mm	Hx4  Ø20mm	
--	---	---

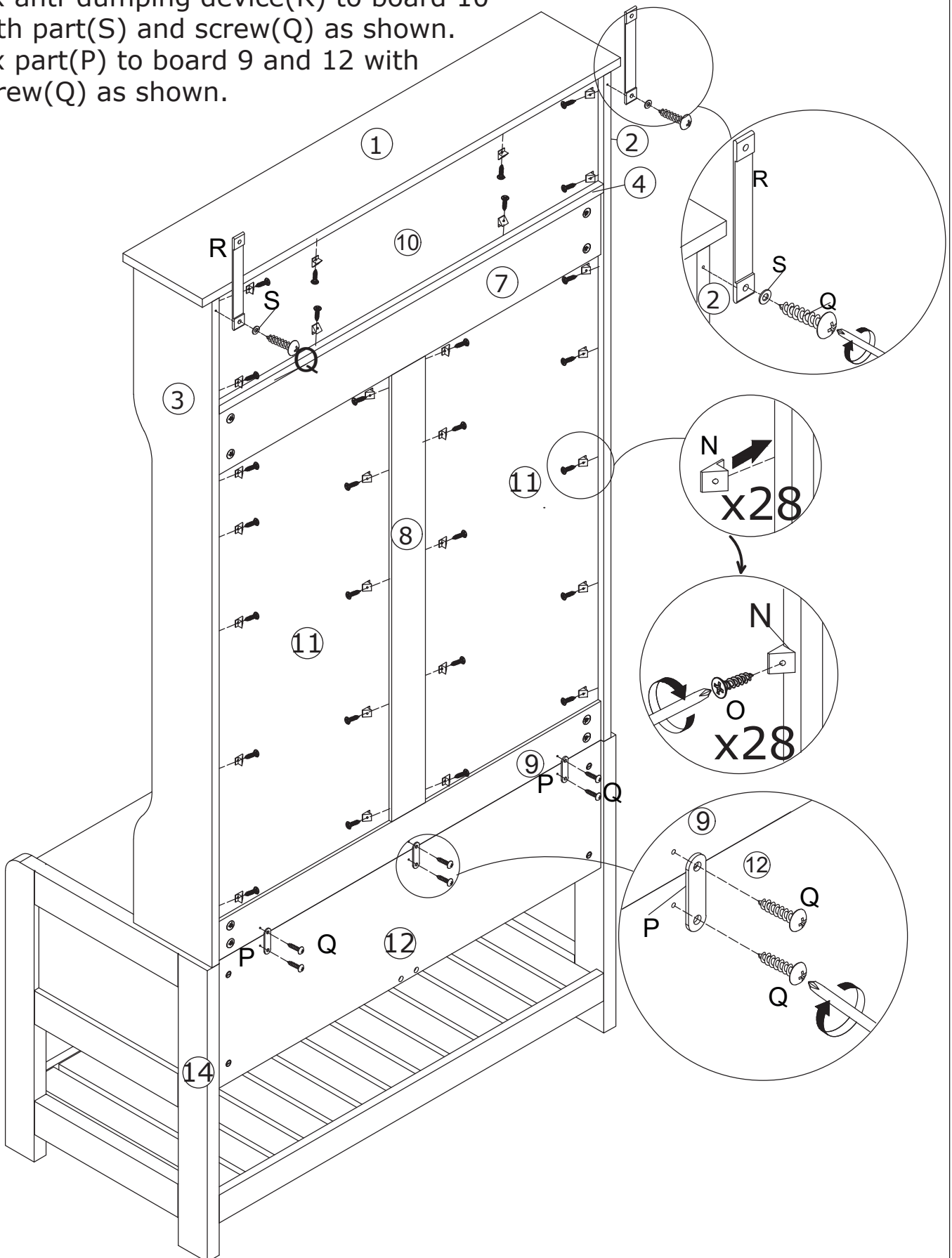
Connect 2 assembled components, insert cam locks (B) into board 2 and 3 as shown, turn cam locks clockwise to tighten.



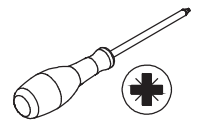
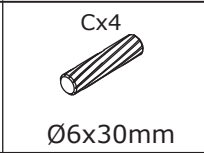
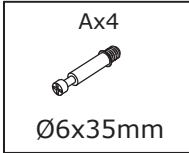
31

Nx28 	Ox28 Ø3x16mm 	Px3 	Qx8 Ø4x14mm 	Rx2 	Sx2 	
---	--	--	---	--	--	---

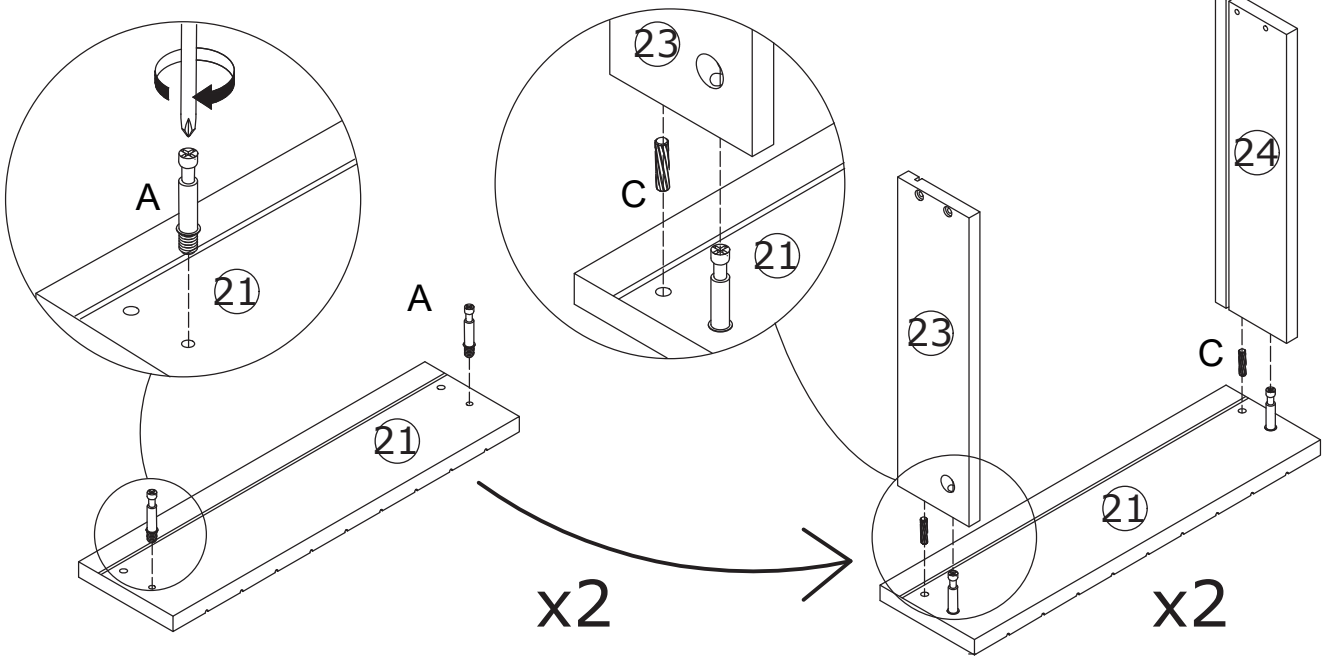
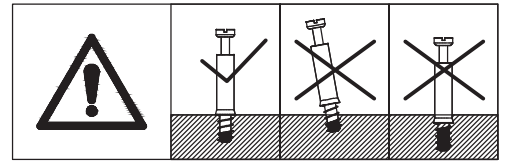
Fix back board with part(N) and screw(Q) as shown.
 Fix anti-dumping device(R) to board 10 with part(S) and screw(Q) as shown.
 Fix part(P) to board 9 and 12 with screw(Q) as shown.



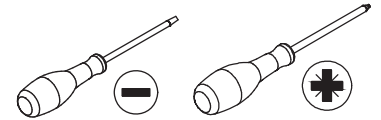
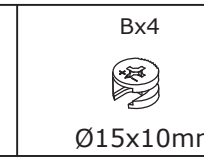
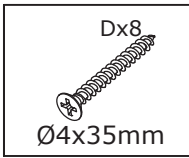
32



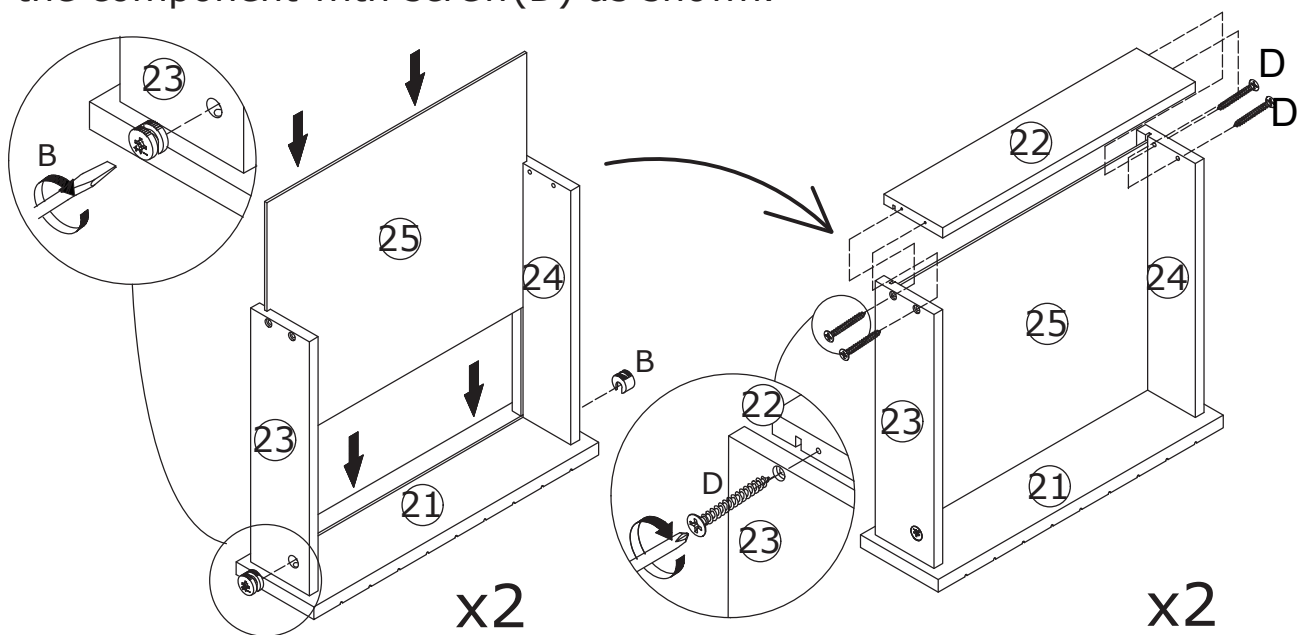
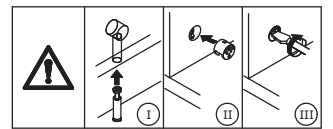
Insert quickfit screw(A) into board 21.
 Attach board 23 and 24 to board 21 with
 wooden dowel(C) as shown.



33



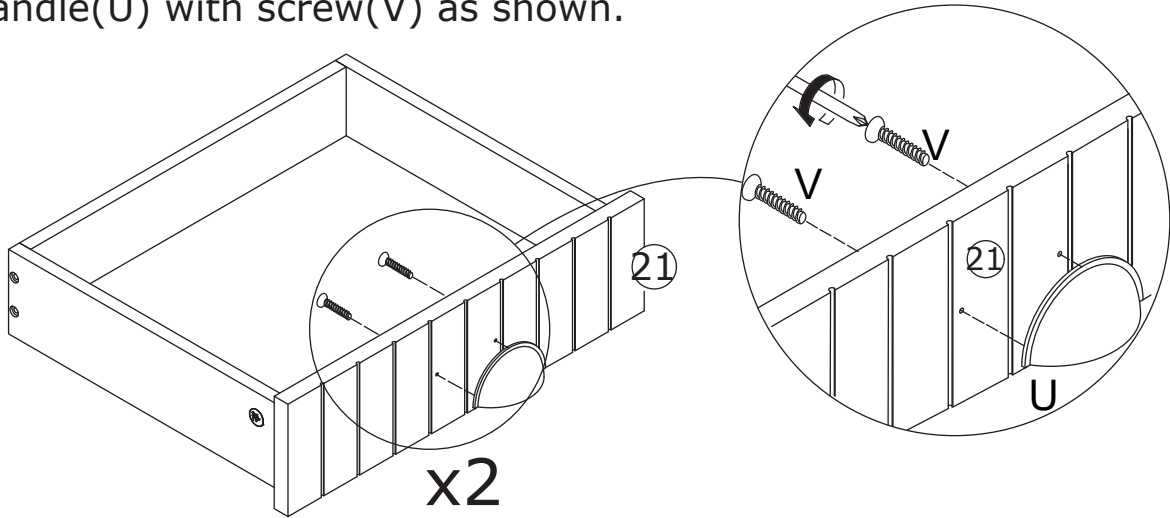
Insert cam locks(B) into board 23 and 24 as shown,
 turn cam locks clockwise to tighten.
 Slide board 15 into available slots. Attach board 22 to
 the component with screw(D) as shown.



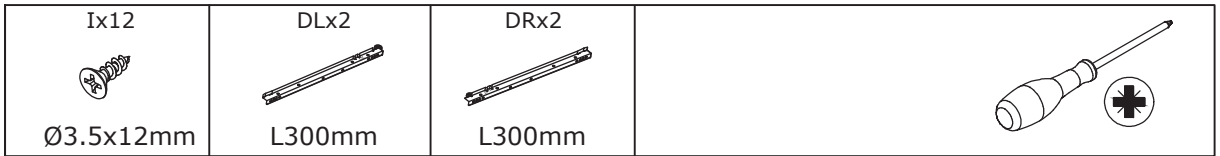
34



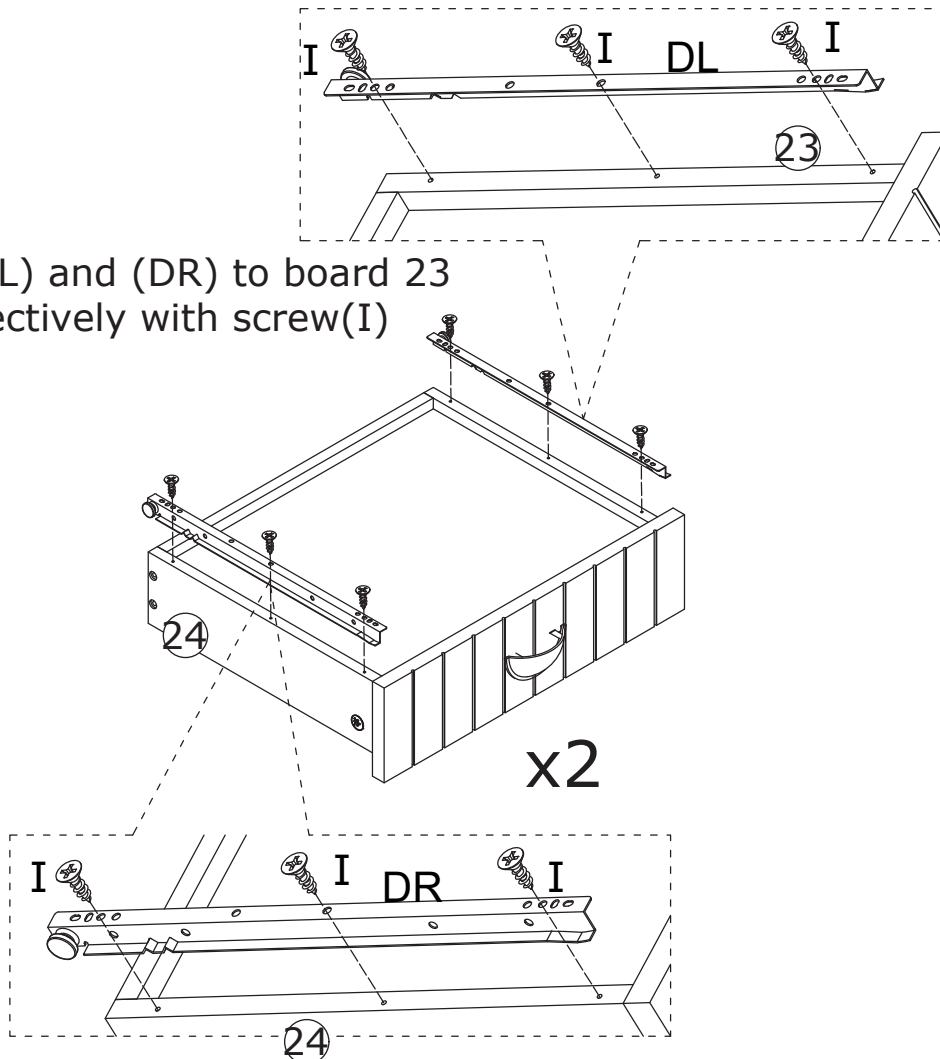
Fix handle(U) with screw(V) as shown.

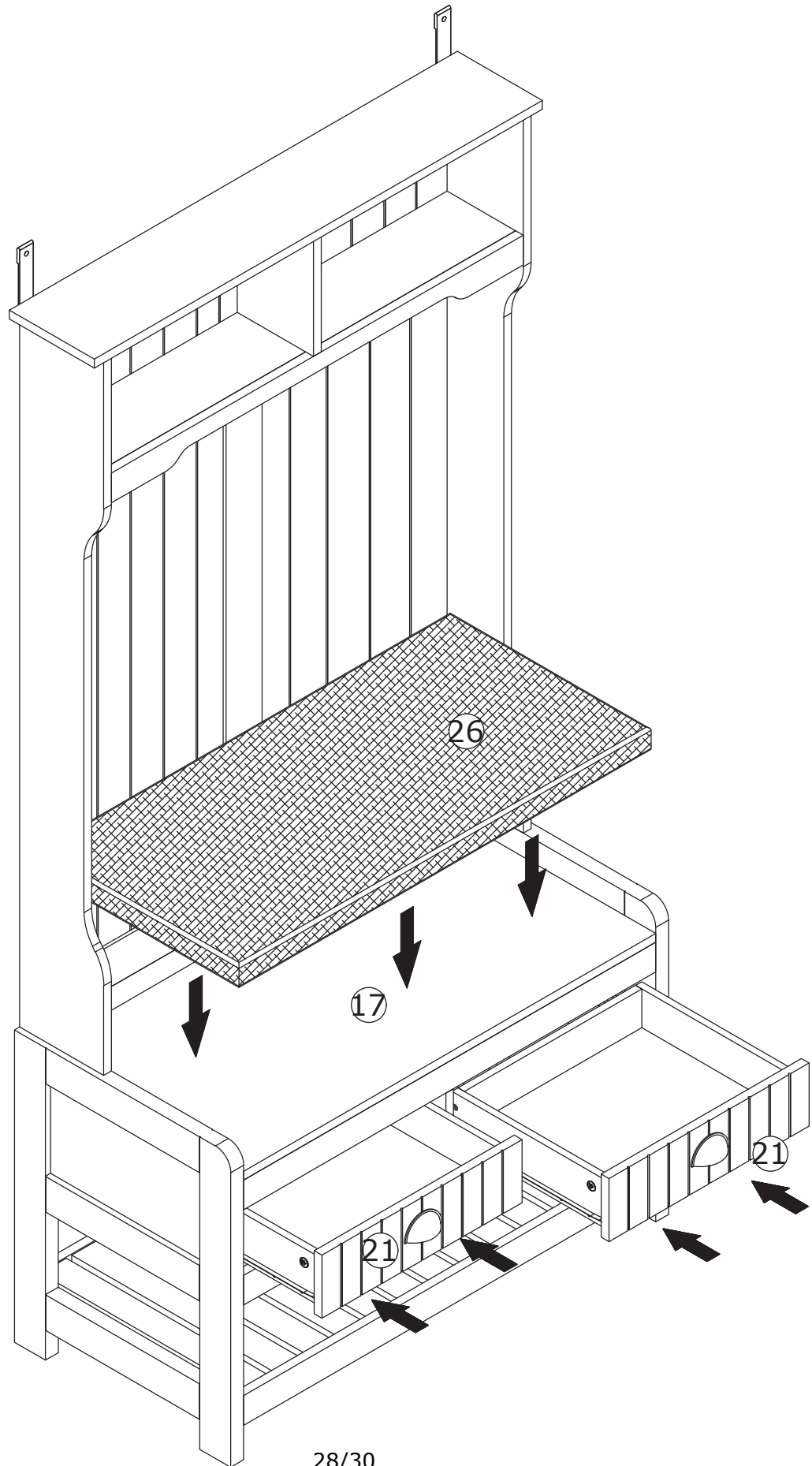


35

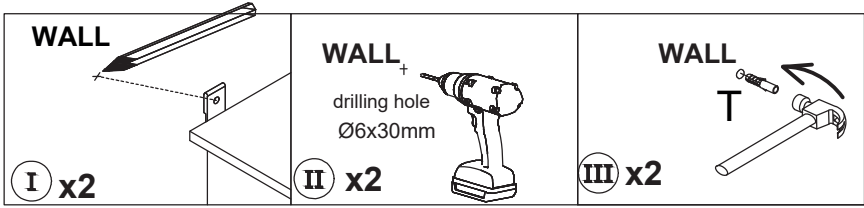
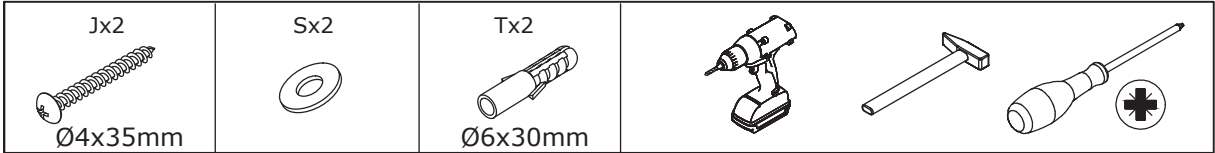


Fix runner(DL) and (DR) to board 23 and 24 respectively with screw(I) as shown.

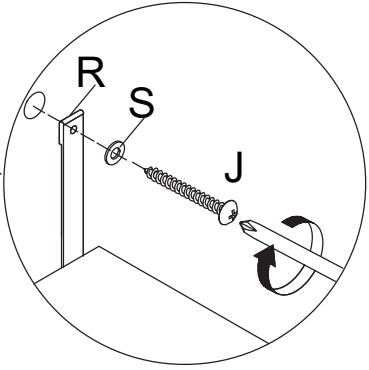
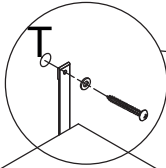
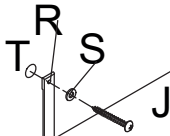




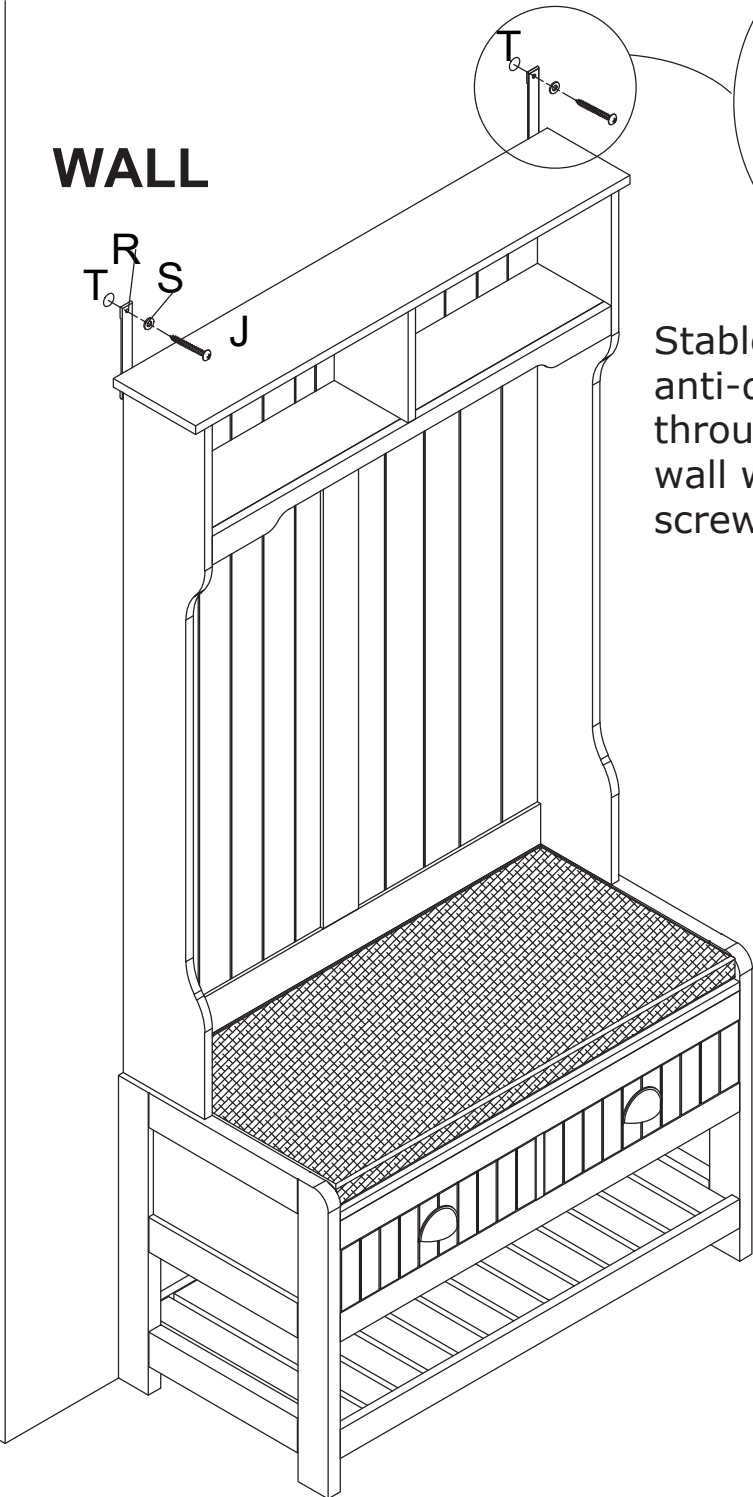
37



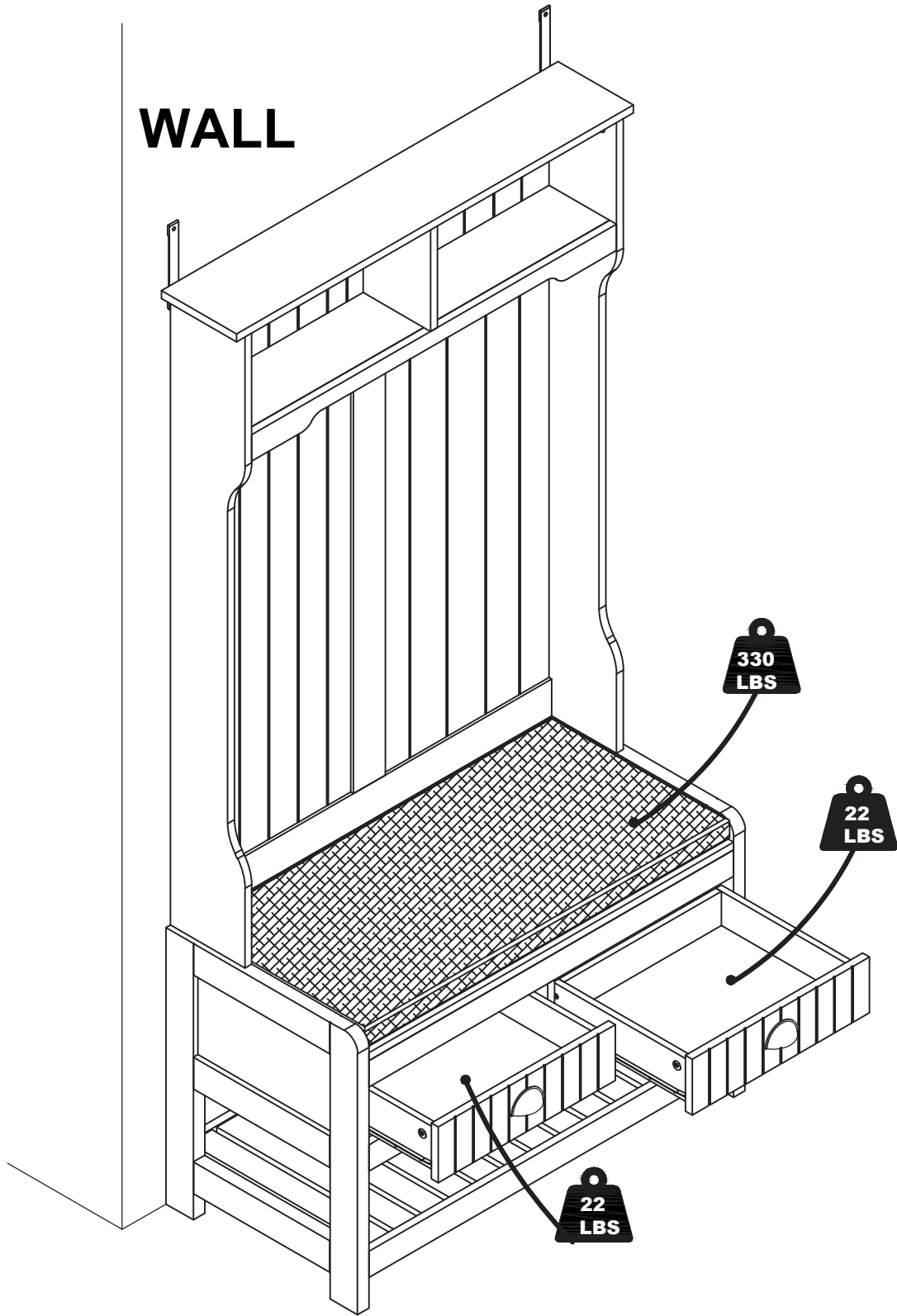
WALL



Stable the item by fixing anti-dumping device(R) through part(T) to your wall with part(S) and screw(Q) as shown.



WALL



WARRANTY

WARRANTY CLAIMS

- There is a 30-day warranty for broken furniture or any other problems that do not work properly. The warranty will start from the date of purchase which must be verified by proof of purchase.
- Before making a claim, we may be able to answer your query, simply call us. Please leave your purchase order number, along with some details of the problem, if you want a replacement part. We will arrange within 48 hours. If there is out of stock, we will reply with a shipping date.
- The product must be used in accordance with the instructions provided. For health reasons.
- For other reasons, if the furniture needs to be returned, it must be cleaned and dried and operated within 30 days of receipt.

Type of Warranty Claim

- Failure to follow the furniture instructions will invalidate the warranty. Attention please.
- Does not include damage during installation, but includes damage during transportation.

Scope of responsibility

- Shall not bear any responsibility for misuse or user damage and / or loss of parts during the installation of furniture.
- After using, the damage and scratches of the furniture are not covered by the warranty.

The Warranty Relates to All Bought in The Us and Covers The Following Areas

- Sheet parts: 1 month from the date of purchase.
- Electrical parts: 1 month from the date of purchase.

RETURNS

CHANGED YOUR MIND AND NEED TO RETURN YOU ITEM?

PLEASE FOLLOW THE BELOW INSTRUCTIONS:

- If you have purchased and have simply changed your mind, follow the retailer's instructions for returns.

DEFECTIVE ITEMS

- If your item is defective in any way, i.e. it doesn't work but you can't identify why, in the first instance, please call us.

DAMAGED ITEMS

- If you receive an order with obvious shipping damage from the retailer, then we suggest the delivery is refused. If the delivery has been accepted and then shipping damage is found, please follow the specific instructions advised by the retailer. In all circumstances please save all packaging material and paperwork for the order. Please be aware that if you dispose of packaging material or attempt to return the merchandise without contacting the fulfiller, you jeopardise your chances of making a claim, and you may not receive a credit for the return.