

**TINY TIMBER  
COLLECTIVE**

Original Wooden High Chair

**Assembly  
Guide**

**IMPORTANT! READ CAREFULLY AND KEEP FOR FUTURE REFERENCE**

## **WARNING**

**FALL HAZARD:** Children have suffered severe head injuries including skull fractures when falling from high chairs. Falls can happen suddenly if child is not restrained properly.

- Always use restraints, and adjust to fit snugly.
- Tray is not designed to hold child in chair.
- Follow the manufacturer's instructions.
- Do not leave children unattended, stay near and watch child during use.
- The harness must always be used and correctly fitted -most injuries from high chairs are caused by falls.
- Position the high chair away from solid structures and benches to avoid injuries caused by falls and by access to dangerous items.

### **WARNING:**

- **FOLLOW THE MANUFACTURER'S INSTRUCTIONS.**
  - **NEVER LEAVE CHILDREN UNATTENDED.**
  - **ALWAYS USE THE RESTRAINT SYSTEM.**
  - **FALLING HAZARD: PREVENT YOUR CHILD FROM CLIMBING ON THE PRODUCT.**
  - **DO NOT USE THE PRODUCT UNLESS ALL COMPONENTS ARE CORRECTLY FITTED AND ADJUSTED.**
  - **THE HARNESS MUST ALWAYS BE USED AND CORRECTLY FITTED-MOST INJURIES FROM HIGH CHAIRS ARE CAUSED BY FALLS.**
  - **BE AWARE OF THE RISK OF OPEN FIRES AND OTHER SOURCES OF STRONG HEAT IN THE VICINITY OF THE PRODUCT.**
  - **BE AWARE OF THE RISK OF TILTING WHEN YOUR CHILD CAN PUSH ITS FEET AGAINST A TABLE OR ANY OTHER STRUCTURE.**
- POSITION THE HIGH CHAIR AWAY FROM SOLID STRUCTURES AND BENCHES TO AVOID INJURIES CAUSED BY FALLS AND BY ACCESS TO DANGEROUS ITEMS.**

## Important:

- Do not to use the product until the child can sit up unaided.
- Do not leave your child unattended when the high chair is in use.
- Use the high chair on a flat, even and horizontal floor.
- Do not elevate the high chair on any structure or table.
- The high chair is intended for children able to sit up unaided and up to 3 years or a maximum weight of 20 kg (high chair use only).
- Max weight for chair use (non-high chair use) of children above age of 3 is up to 50 kilograms.
- To reduce the risk of injury and risk of fire, position the high chair away from furniture, walls, hot surfaces and liquids, window covering cords and electrical cords and position the high chair away from furniture when the chair is not being used at a table with a tray (sold separately) removed.
- The high chair should only be used in an upright position once the child is capable of reliably and consistently sitting upright unassisted (e.g. 6 months old).
- Remember to re-tighten the screws after 2 weeks of initial use and assembly of the high chair. It is recommended to re-tighten the screws of the high chair on a monthly basis depending on use, keep allen keys away from child's reach.
- Always keep child and their hands in view, with their body facing forward.
- Stay in reach of your child and ensure small items are out of reach of the child, as they may cause choking.
- The safety bar (sold separately) is not designed to secure the child in the chair.
- Children under the ages of 3 years old must be secured at all times using the safety harness (sold separately). Harness only applies when the product is being used as a high-chair (not in chair use).
- Do not use the high chair, if any part is broken, deteriorated, torn or missing.
- Do not use the high chair unless all components are correctly fitted and adjusted.
- The top height levels of the seat slots, Positions 1-3, (highest from the ground) are used with harness only. Do not use any slot below to secure the seat for children under the ages of 3 years old, harness must be only in use with Positions 1-3. Any slot below Positions 1-3, Positions 4-5, is designated only for 3 years old plus. See page 7, step 9 for illustration.
- Footrest must be secured no longer than 115mm out from the front of the chair legs. Markings are indicated on footrest showing where to line up with front of the chair legs. See page 5 for illustration.
- Follow assembly and use instructions for the high chair and harness.

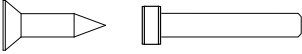
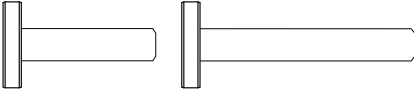
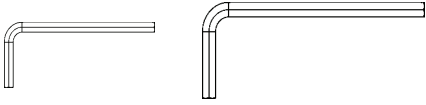
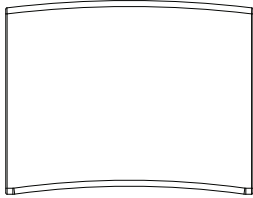
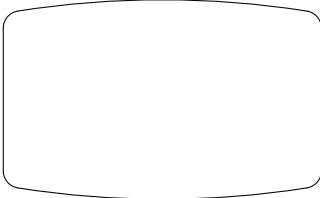
# PART CONTENTS

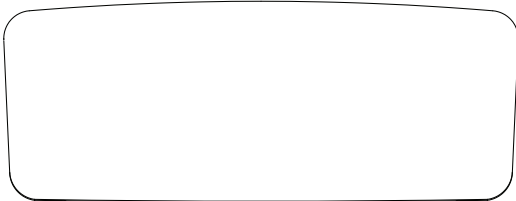
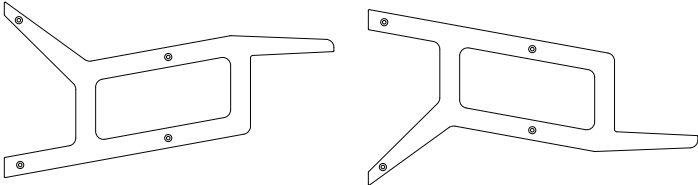


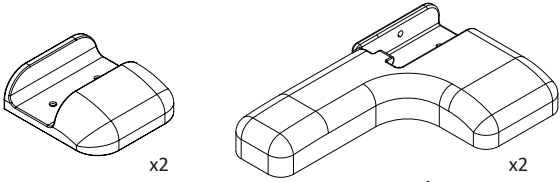
Some individuals may require additional assistance to assemble the chair (pregnancy, injury or a condition that impacts your dexterity or ability to lift heavy objects). If this is the case, please seek assistance from a second person.

Keep small objects out of reach of children.

Some parts come assembled and may require re-tightening, use allen key provided.

Please ensure that you have the following hardware and parts supplied before assembling. Please ensure packaging is removed from each part before assembly and that each piece is clean and undamaged.

Part Name	Quantity	Part Image
M3 long screw, M3 short screw	3 long, 10 short	
M6 long 40mm screw, M6 short 25mm screw	4 long, 8 short	
Allen Keys	2	
Seat	1	
Footrest	1	

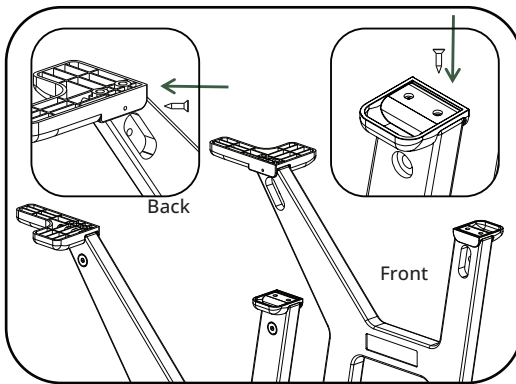
Part Name	Quantity	Part Image
Backrest	1	
Chair Leg Left & Right	1 each	
Brace Rod	1	
Braces	3	
Chair Leg Supports	4	 <p style="text-align: center;"> <span data-bbox="495 1385 564 1414">Front</span>    <span data-bbox="591 1362 613 1382">x2</span>                            <span data-bbox="822 1385 891 1414">Back</span>                      <span data-bbox="949 1362 972 1382">x2</span> </p>

# HIGH CHAIR INSTRUCTIONS

Read these instructions carefully before assembling the high chair or scan the QR code to watch a video on how to assemble the high chair. If you get stuck, please feel free to get in touch using the contact details on our website.

1

## STEP 1

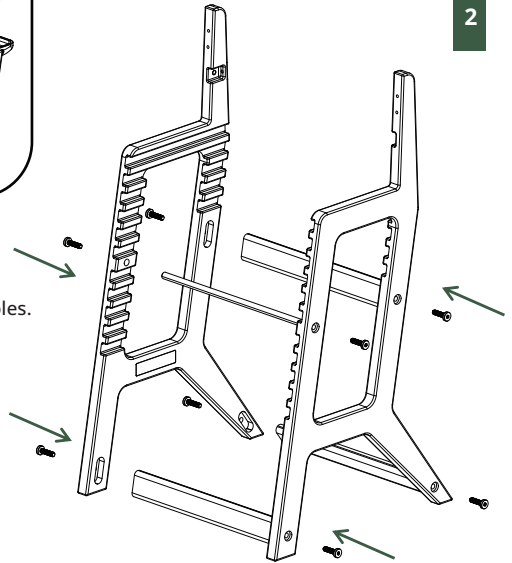


Insert the 4 chair leg supports (front and back) onto the bottom of the chair legs, by using the short m3 screws and smaller allen key. Tighten the screws into the corresponding holes and ensure that the supports are facing outwards, with the thicker side of the supports pointing outside.

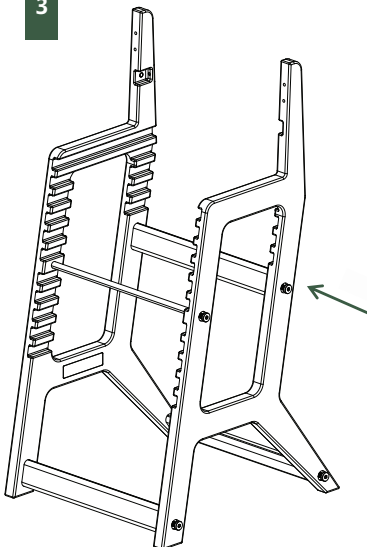
2

## STEP 2

Insert the braces and brace rod into the slots shown in the left and right chair leg and insert eight short m6 screws into the corresponding holes.



3

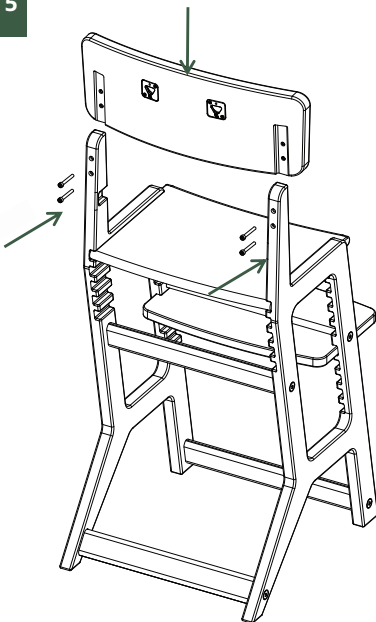
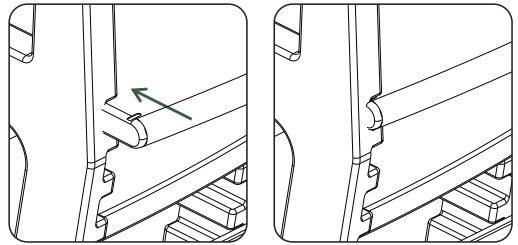
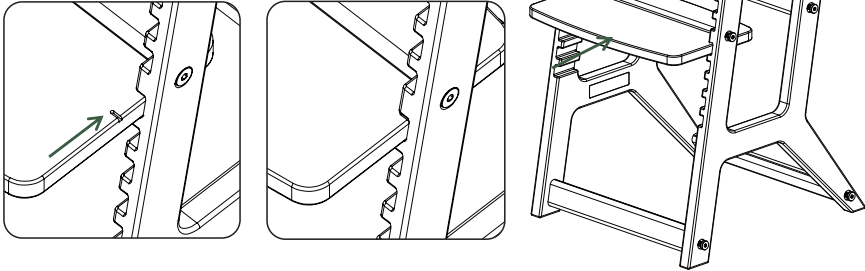


## STEP 2

Tighten the screws using allen key till they are almost sitting flush, leave some extra room as they will be tightened later to hold the seat and footrest.

**STEP 4**

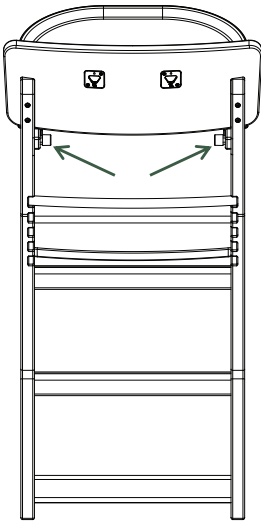
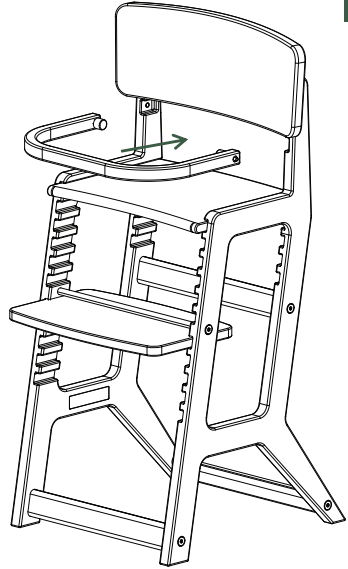
Insert the footrest and seat into the desired slotted height according to the size of the child and tighten the screws fully, ensuring the footrest and seat sit tightly in place. Align the notch markings of the footrest with the front face of the chair legs, see below for illustration. Do the same for the seat, aligning the notches to the back face of the chair legs. Do not use excessive force to tighten the screws.

**STEP 5**

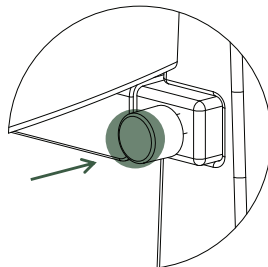
Insert the backrest into the chair legs as shown and insert four long m6 screws into the holes and tighten using allen key. Ensure backrest is tight and does not wobble.

**STEP 6**

Insert safety bar (sold separately) into the two slots on the high chair as shown in the drawing. Ensure the pins are retracted before trying to insert the safety bar.

**STEP 7**

Press the two push buttons on the safety bar (sold separately) as shown, to ensure the safety bar is locked in place. This part may require more force than expected, the buttons click when in place.

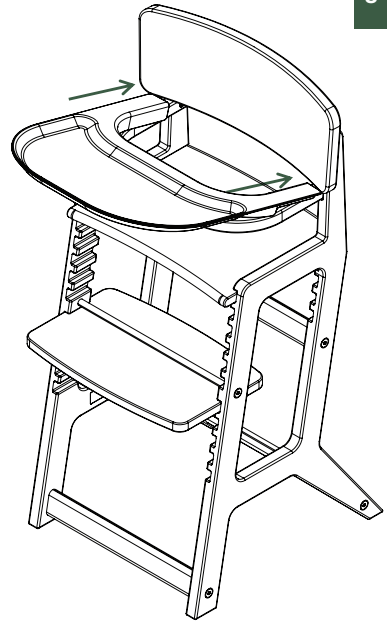
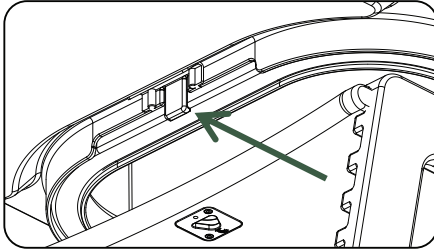




**STEP 8**

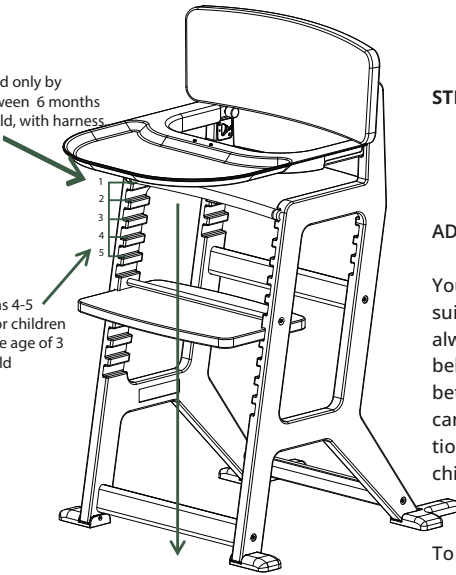
To attach the tray (sold separately), first slide the back edges of tray onto the safety bar (sold separately) underneath the backrest, push down on the front of the tray attach it to the safety bar.

To release the tray pull the tab out, located underneath the tray, and lift up -as shown below.

**9**

Positions 1-3:  
Are to be used only by  
children between 6 months  
and 3 years old, with harness

Positions 4-5  
Used for children  
over the age of 3  
years old



Chair leg supports must be  
on when in use

**STEP 9**

Place the chair on a level surface and tighten all screws firmly.

**ADJUSTING THE HEIGHTS OF THE CHAIR**

You will need to adjust the height of the seat and footrest to suit the size of your child as they grow to ensure they are always in the optimal seated posture. **DO NOT** use any slot below Position 3, 3rd from the top slot, for securing children between ages of 6 months to 3 years old - the harness cannot be used below the 3rd slot, see the left for illustration. Positions 4-5, the 2 slots below, must be used for children 3 years plus.

To adjust the position of the seat and footrest, loosen the screws enough to be able to slide out the seat and footrest, as shown in Step 2.

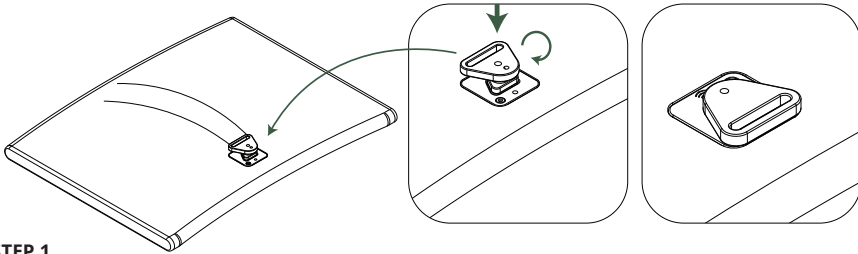
Move each piece to the desired new slotted height. Re-tighten each of the screws to ensure the seat and footrest are held firmly in place.

For more information about how to set up your child for optimised posture, please see our website.

# HARNESS INSTRUCTIONS

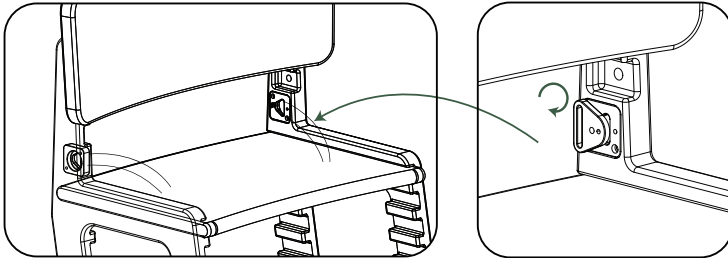
## WARNING:

- To ensure the safety of your child, all children under 3 years of age must use the Original High Chair Harness (sold separately) when seated in the Original Wooden High Chair.
- When using the harness for children under 3 years old (high chair use), ensure the seat is positioned in the highest from the ground slot on the chair legs.



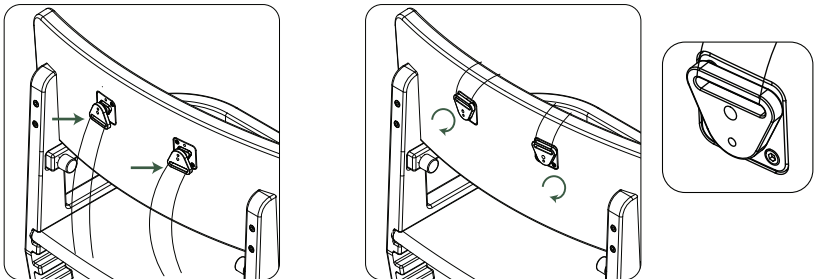
### STEP 1

Connect the buckle to the high chair by inserting it into the plug in the front of the seat, rotate the strap 180deg to secure it in place.



### STEP 2

Connect the two waist straps by inserting them into the plugs on the side of the chair legs, rotate the straps 180deg to secure them in place.

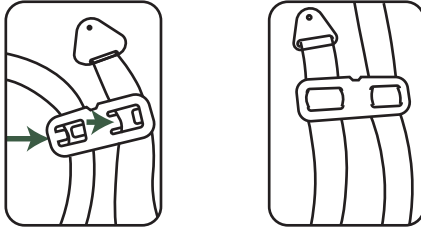


### STEP 3

Connect the two shoulder straps by inserting them into the plugs in the backrest, rotate the straps 180deg to secure them in place.

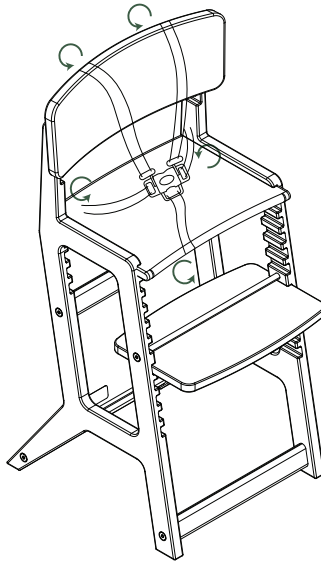
**The Original High Chair Harness is sold separately unless purchased as part of a bundle.**

# HARNESS INSTRUCTIONS



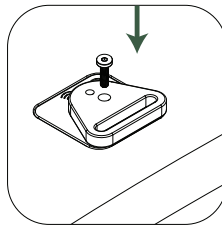
## STEP 4

Slide the connector piece onto the two shoulder straps and adjust its position to suit your child.



## STEP 5

Adjust the length of each strap to suit the size of your child, ensure it is a snug fit but not too restrictive.



## STEP 6

To further secure the harness in place, insert the long m3 screws into the hole on each buckle and tighten using the small allen key provided. This ensures the harness is secured when in high chair use.

**The Original High Chair Harness is sold separately unless purchased as part of a bundle.**

# CARE AND MAINTENANCE

## **Product Information:**

- Made of European beech wood.
- Plastic parts are food grade, BPA-free and dishwasher safe.

## **Safety Approval:**

The Original Wooden High Chair has been tested against and complies with safety requirements of the Australian Standard for high chairs, AS 4684:2009.

## **Cleaning and maintenance:**

Remember to re-tighten the screws after 2 weeks of initial use and assembly of the high chair. It is recommended to re-tighten the screws of the high chair on a monthly basis depending on use, always keep allen keys away from child's reach.

## **Original Wooden High Chair**

- Wipe with a damp cloth using mild detergent and wipe completely dry immediately.
- Residual moisture or harsh household chemicals may damage the varnish or blemish the timber.
- Store the high chair in a safe location away from direct sunlight to reduce fading or damage.

## **Original High Chair Tray (sold separately)**

- Hand wash recommended.
- Clean with warm soapy water and allow to dry completely before use.
- Alternatively, this product is dishwasher safe, on the top rack only.

## **Original High Chair Safety Bar (sold separately)**

- Wipe with a damp cloth using mild detergent and wipe dry.
- Store in a safe location away from direct sunlight.

## **Original High Chair Harness (sold separately)**

- Wipe the high chair straps using a damp cloth and mild detergent.
- If wiping is not sufficient, the harness can be machine-washed in a delicates bag on a gentle cycle.

# WARRANTY

## Tiny Timber Collective Pty Ltd Product Disclaimer and Warning

Thank you for purchasing a Tiny Timber Collective Product.

**Please note:** You are responsible for checking our products for any defects prior to use and to regularly testing for any loosening or instability of the product during use which may lead to injury, falls, or other damage.

Except as expressly stated and to the full extent permitted by law, our products are provided 'as is' and on an 'as available' basis without any representation, warranty of any kind whether express or implied, including but not limited to warranties of merchantability or fitness for any particular purpose. We at all times abide by warranties required by Australian Consumer Law with respect to all other warranties and guarantees.

To the maximum extent permitted by law, all express and implied warranties, terms and conditions and any duty of care under statute or general law which otherwise may arise or be imposed on Tiny Timber Collective Pty Ltd including any liability to any person in connection with the products, including:

- a) merchantability, description, quality, suitability or fitness of the products for any purpose; or
- b) design, assembly, installation, materials, workmanship or otherwise, are hereby excluded.

Tiny Timber Collective will not be liable for physical or financial injury, loss or damage or consequence of any kind arising out of the supply, layout, assembly, installation or operation and use of the products.

Adult supervision is required at all times, you use this product with any child at your own risk. Our furniture products are not toys and we do not recommend any use of the product other than in accordance with our and any manufacturer instructions.

**Warning:** Our Tiny Timber Collective product is meant for use as children's furniture and not meant for jumping on/off, climbing or otherwise as a 'play' apparatus. It is not meant to be used by small children unattended or unsupervised and some products may pose serious risk for small children near ovens, hotplates, open flame or heat, sharp objects or similar as they may climb on the product and access dangerous items or areas. Adult supervision is required at all times as children may risk falling while using some of our products.

You acknowledge and agree that age recommended by the manufacturer is indicative only. These are manufacturer recommended ages and we are not responsible for indicated age guidelines or suitability.

Tiny Timber Collective Pty Ltd including its employees, directors, contractors and all third party affiliates shall not be liable to you or any third party, directly or indirectly for any loss, liability, injury, damage, death or any claim which may arise from your use of our products or services in accordance with the instructions.

Tiny Timber Collective Pty Ltd (ABN 41 644 921 540) ("Tiny Timber Collective/We/Us") prides itself on providing high quality products and is committed to customer satisfaction. This Returns Policy forms part of our website Terms & Conditions which can be found on our website [www.tinytimbercollective.com](http://www.tinytimbercollective.com)

## **Warranty**

Our goods come with the guarantees that cannot be excluded under the Australian Consumer Law. You are entitled to a replacement or refund for a major failure and compensation for any other reasonably foreseeable loss or damage. You are also entitled to have the goods repaired or replaced if the goods fail to be of acceptable quality and the failure does not amount to a major failure.

### Who is covered under this policy?

Our warranty only extends to the original purchaser of the product. The warranty is effective from the date of purchase from our website. If the original purchaser transfers the ownership of the product the warranty is void. Original purchaser must provide proof of purchase at time of making a claim.

### What does this warranty cover?

You are entitled to replacement or refund for faulty or defect products. You are entitled to replacement or refund on any products damaged during shipping.

All Tiny Timber Collective products come with a 12-month structural warranty and a 6-month parts warranty.

The warranty period begins from the date of delivery. We encourage that you check the product upon receiving it and report any faulty products or parts within 30 days of delivery. In the event the product is used where a fault has been identified this may void the warranty.

### What is not covered under this warranty?

Damage caused by:

- Improper use
- Cleaning products
- Use of accessories not purchased from Tiny Timber Collective
- Normal wear and tear
- Accidents
- Improper assembly
- Improper storage
- Failure to follow cleaning and maintenance guidelines
- Prolonged exposure to sunlight causing fading or discolouration

Any modifications or alterations made to the product will void the warranty.

Please also note that the any cost of returning any products during the warranty process is not covered under the warranty; shipping and any re-stocking costs will be decided at the discretion of Tiny Timber Collective.

As our products are constructed primarily from beech timber, variations in wood grains, colour and finish are fair and reasonable and to be expected when purchasing products with this material makeup. In these instances, Tiny Timber Collective is unable to provide returns or replacements for reasonable minor imperfections in the colour and grains of the timber.

Tiny Timber Collective reserve the right to choose whether a product will be repaired, replaced, or refunded during the warranty process. All shipping and re-stocking fees during this process will be decided at the discretion of Tiny Timber Collective.

### **What are the Australian Consumer Law requirements around faulty items?**

In the case of faulty items purchased from Tiny Timber Collective, any related return and refund rights we offer you will apply in addition to, and do not limit, other rights and remedies you may have under law, including the Australian Consumer Law.

Here's what to do if you identify a faulty item:

- *within warranty* for that item, you can contact us for return information.
- *outside the warranty period* for that item please contact us here ([link to Contact us page](#)) as you may still be entitled to store credit, replacement (where available), or refund.

When possible, please notify us of faulty items within 30 days from receipt of delivery.

Don't worry, faulty items do not have to be returned in their original packaging, but they must be packaged appropriately to avoid damage during the return shipping process.

Additional factors such as age, price, the item condition, and the disclosures made about the item may be relevant to your return and refund rights under the Australian Consumer Law.

For further information regarding all Tiny Timber Collective products or services,  
please see the below contact information.



Tiny Timber Collective Pty Ltd  
Email: [hello@tinytimbercollective.com](mailto:hello@tinytimbercollective.com)  
Website: [tinytimbercollective.com](http://tinytimbercollective.com)  
Model Name: Original Wooden High Chair  
Address: U14/57a Rhodes St, Hillsdale, 2036, NSW  
Phone: + 614 21839927  
Date: 10/2023