

*Contact Us: FACTORY UTV LLC.*

9237 Beatty Drive Sacramento, CA 95826

Phone : (916) 383-2730



## **U.H.M.W. Trailing Arm Guards**

*Ultra. High. Molecular. Weight. polyethylene all terrain skid plate / under armor kit for UTV's*

### **Installation Guide**

***Polaris RZR Turbo R + Turbo R4 (2022+)***



# Polaris RZR Turbo R + Turbo R4 (2022+) Trailing Arm Guard Instructions

Remove mud flap bracket from trailing arm.

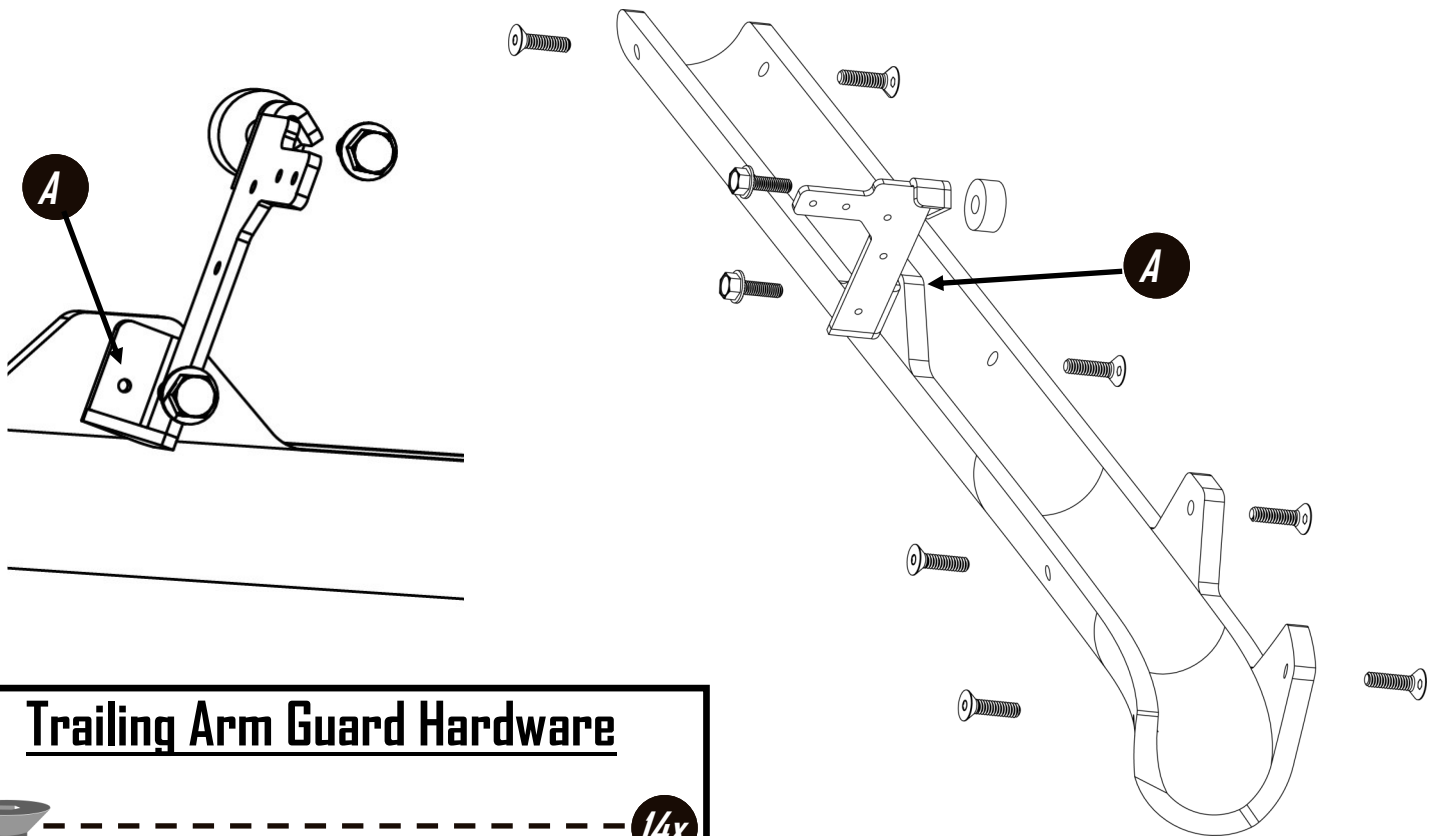
Align mounting hole **(A)** on Guard with lowest mud flap mounting hole. Install a M6 x 20mm bolt.

Using clamps, secure the Guard tight to the bottom and sides of the trailing arm.

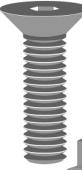
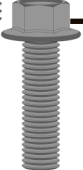

Drill, tap, and secure each mounting hole one at a time to prevent movement. Fasten with (7x) 1/4"-20 x 1" Counter Sunk Bolts. Once all bolts are installed it is recommended to remove the Guard to clear away metal shavings.


Reinstall the Guard with all 1/4"-20 x 1" Counter Sunk Bolts using thread lock.


Reinstall mud flap with provided (2x) M6 x 20mm bolts & (1x) 3/8" Alum. Spacers as shown in images. Spacers are located between mud flap bracket and trailing arm.



**Trailing Arm Guard Hardware**

-  14x 1/4"-20 x 1" Counter Sunk Bolt
-  4x M6 -1.0 X 20mm Flange Bolt
-  2x 3/8" ALUM. SPACERS

 13/64<sup>th</sup>

 Use (1/4"-20) Tap

Drill 13/64<sup>th</sup> hole

Use (1/4"-20) Tap