

Contact Us: **FACTORY UTV LLC.**

9237 Beatty Drive Sacramento, CA 95826

Phone : (916) 383-2730

E-mail : [info@factoryutv.net](mailto:info@factoryutv.net)

Go online: [www.Factoryutv.net](http://www.Factoryutv.net)



## **U.H.M.W. Skid Plate / Under Armor Package**

*Ultra. High. Molecular. Weight. polyethylene all terrain skid plate / under armor kit for UTV's*

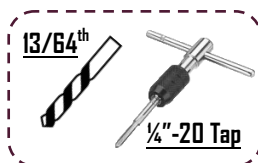
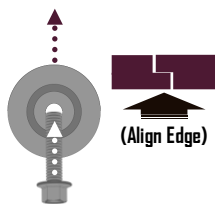
### **Installation Guide (Skid Plate)**

# ***Speed UTV "El Jefe"***



# Speed UTV "El Jefe" Instructions

- #1** Remove all stock skid plates. Re-install the 2 forward stock countersunk bolts that hold the metal bash plate to the front differential. Discard all other stock hardware.
- #2** Install *REAR DIFF* skid using (6x) M6-1.0 x 20mm Flange Bolts and washers in ( A ) locations. Leave bolts loose to allow for adjustment. \*If installing *X-BRACE* : Hang *X-BRACE* with (4x) M6-1.0 x 20mm Flange Bolts in center ( A ) locations, then install *REAR DIFF* over the *X-BRACE* and reinstall washers in (4x) center ( A ) locations.
- #3** Install *MID REAR* skid using (8x) M6-1.0 x 20mm Flange Bolts and washers in ( A ) locations. Leave bolts loose to allow for adjustment.
- #4** Install *MAIN* skid using (8x) M6-1.0 x 20mm Flange Bolts and washers in ( A ) locations. Leave bolts loose to allow for adjustment.
- #5** Center skid plate edges and align overlaps, Tighten all ( A ) locations. Mark, Drill, and Tap all of the remaining ( C ) locations with (21x) ¼"-20 x ¾" Self Tapping Bolts and washers.
- #6** Install *FRONT DIFF* skid using (6x) M8 1.25x20mm Button Head Torx Bolts and washers in ( B ) locations. Align edge with *MAIN* skid and tighten bolts. Clamp front lip flush with bash plate and center mark ( D ) & ( E ) locations for drilling. Remove *FRONT DIFF* and Install (4x) ¼"-20 x Nutserts in ( D ) & ( E ) locations. Fully install *FRONT DIFF* using (6x) M8 1.25x20mm Button Head Torx Bolts and washers in ( B ) locations; (2x) ¼"-20 x ½" Flange Bolts and washers in ( D ) locations; & (2x) ¼"-20 x 1" Counter Sunk Bolts in ( E ) locations.



## \* Drilling Instructions : \*

Use a : #Nº7 ( 13/64<sup>th</sup> ) drill bit,

( one size above the commonly available 3/16<sup>th</sup> bit ) Recommended ¼" - 20 Tap \*( Optional )

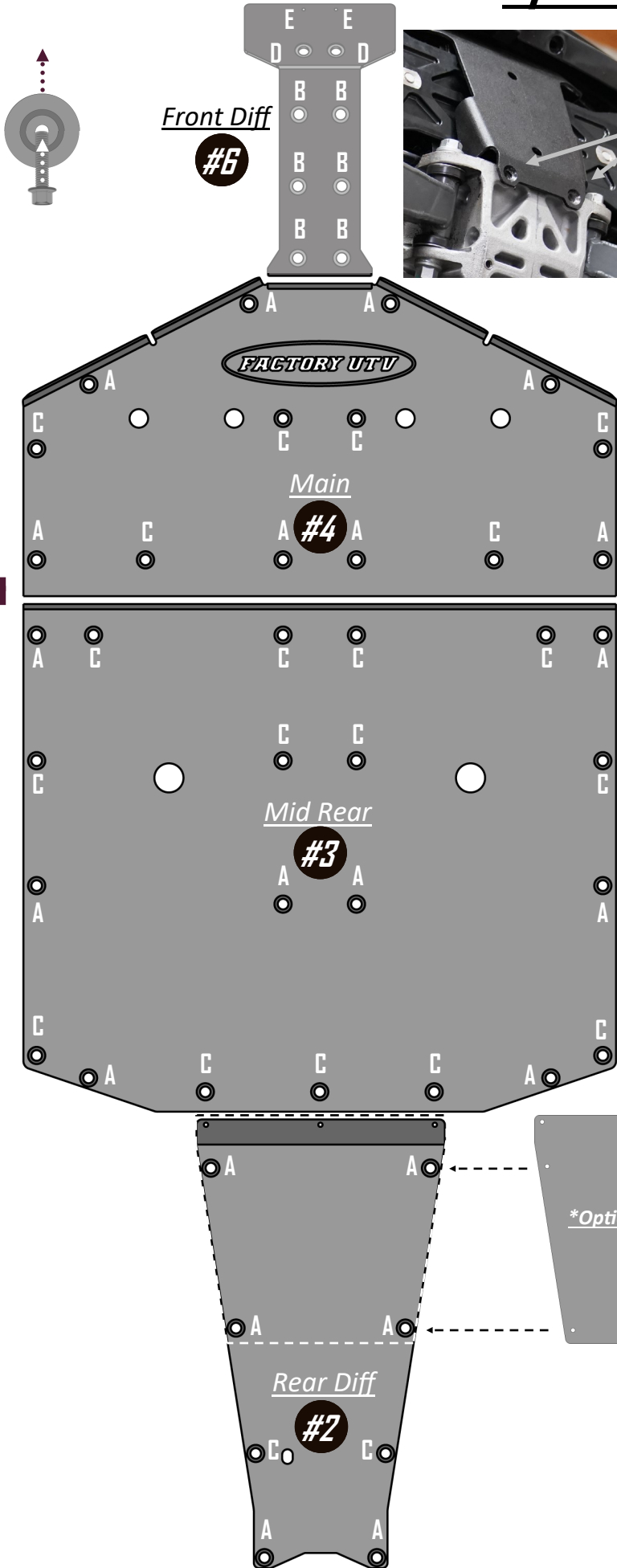
To drill and thread self tapping bolts in to chassis frame.

Finger Thread All Bolts Prior To Fastening Securely With Power Tools.

We strongly recommend the use of a "Thread Locking Compound" when installing any mounting hardware.

( When installation is complete , ensure all bolts are fastened securely.)

# Speed UTV "El Jefe" Instructions



**Before skid plate installation; Re-install the 2 forward stock countersunk bolts that hold the metal bash plate to the front differential.**

**\* Drilling Instructions : \***

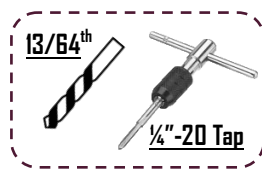
Use a : **#No7 (13/64<sup>th</sup>)** drill bit, (one size above the commonly available 3/16<sup>th</sup> bit ) Recommended 1/4"- 20 Tap \*( Optional )

To drill and thread self tapping bolts in to chassis frame.

Finger Thread All Bolts Prior To Fastening Securely With Power Tools.

We strongly recommend the use of a "Thread Locking Compound" when installing any mounting hardware.

**( When installation is complete , ensure all bolts are fastened securely.)**

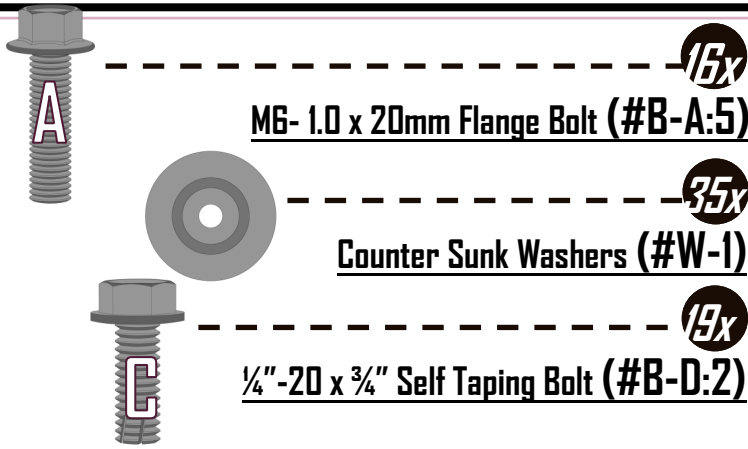


**Aluminum X-Brace:**

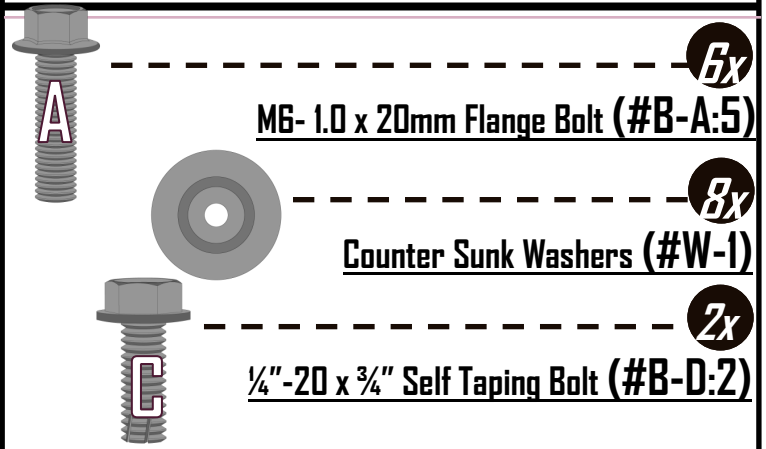
For extra protection Install **Optional X-brace** in-between skid & chassis frame, Finger tighten bolts to allow for adjustment before fastening all bolts securely

# Speed UTV "El Jefe" Hardware

## Main Skids Large bag:



## Rear Diff Skid Small bag:



## Front Diff Skid Small bag:

