

Contact Us: **FACTORY UTV LLC.**

9237 Beatty Drive Sacramento, CA 95826

Phone : (916) 383-2730

E-mail : info@factoryutv.net

Go online: www.Factoryutv.net



U.H.M.W. A-Arm / Trailing Arm Guards

Ultra. High. Molecular. Weight. polyethylene all terrain skid plate / under armor kit for UTV's

Installation Guide (A-Arms & Trailing Arms)

Speed UTV

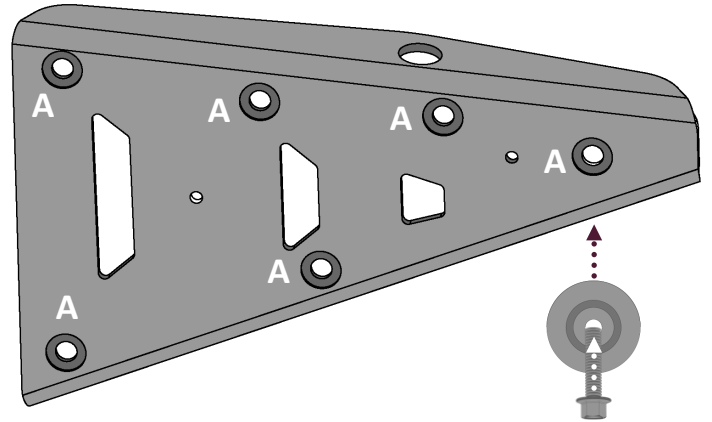
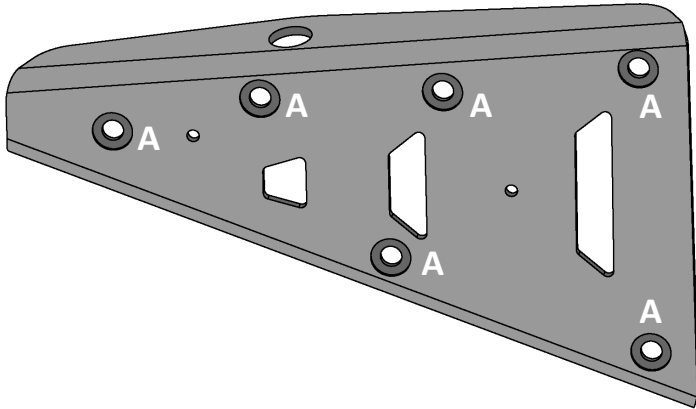
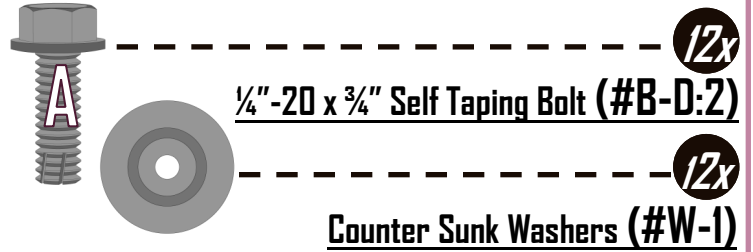


Speed UTV A-Arm & Trailing Arm Guards Instructions

Front A-Arm Guards

Align and clamp a-arm guards to a-arms. Mark & Drill the center of each (12x) mounting hole using a 13/64" drill bit. Install (12x) 1/4"-20 x 3/4" Self Taping Bolts & Washers in (A) locations.

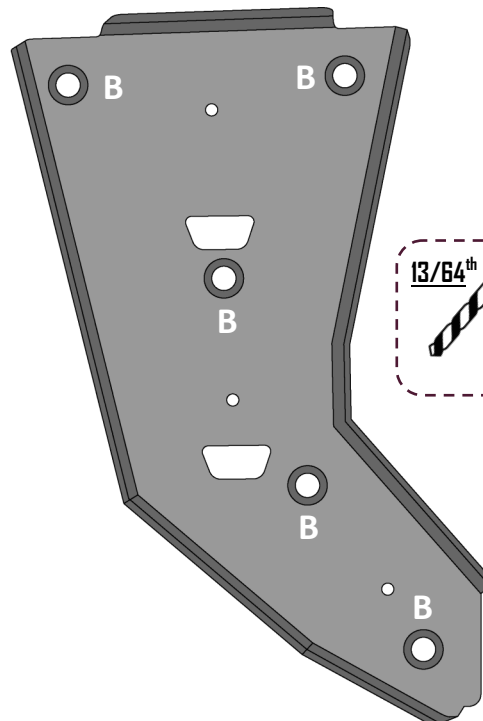
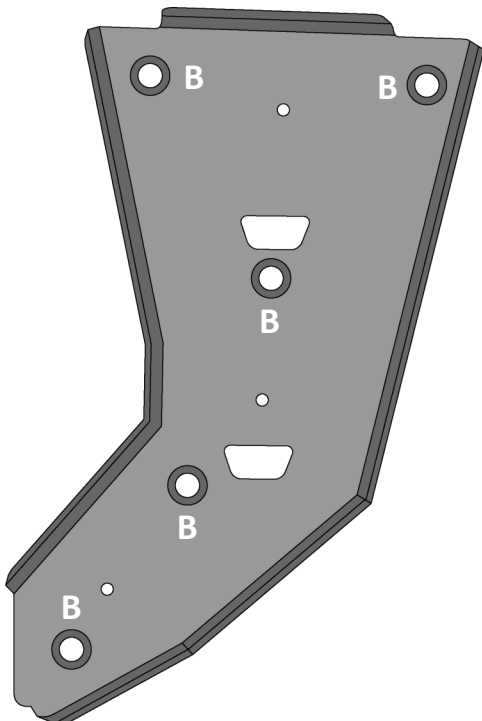
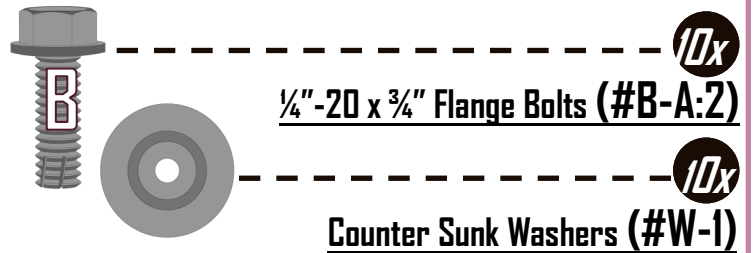
Front A-Arm Guards Small bag:



Rear Trailing Arm Guards

Align and clamp trailing arm guards to trailing arms. Mark & Drill the center of each (10x) mounting hole using a 13/64" drill bit. Tap mounting holes with 1/4"-20" Tap. Install (10x) 1/4"-20 x 3/4" Flange Bolts & Washers in (B) locations.

Trailing Arm Guards Small bag:



We strongly recommend the use of a "Thread Locking Compound" when installing any mounting hardware.