

Contact Us: FACTORY UTV LLC

9237 Beatty Drive Sacramento, CA 95826

Phone : (916) 383-2730

E-mail : info@factoryutv.net

Go online: www.Factoryutv.net



Standalone U.H.M.W. Rock Slider Instructions

Ultra. High. Molecular. Weight. polyethylene all terrain skid plate / under armor kit for UTV's

Installation Guide

Can-Am Commander / Maverick Sport and Trail (2021+)

Fits:

2021+ Commander 1000R EFI, DPS, XT, XT-P


2018 - 2021+ Maverick Sport 1000R EFI, DPS, XT, XT-P

2018 - 2021+ Maverick Trail, 800, 1000

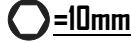


Can-Am Commander / Maverick Sport and Trail (2021+)

UHMW Standalone Rockslider Installation

13/64th 

Drill 8x side (A) rivet locations with a 13/64th Drill bit
 Re-use mounting holes with the provided self tapping bolts.
 Remove (4x) M6 x 25mm Hex bolts in rear side panel "D" locations.

=10mm

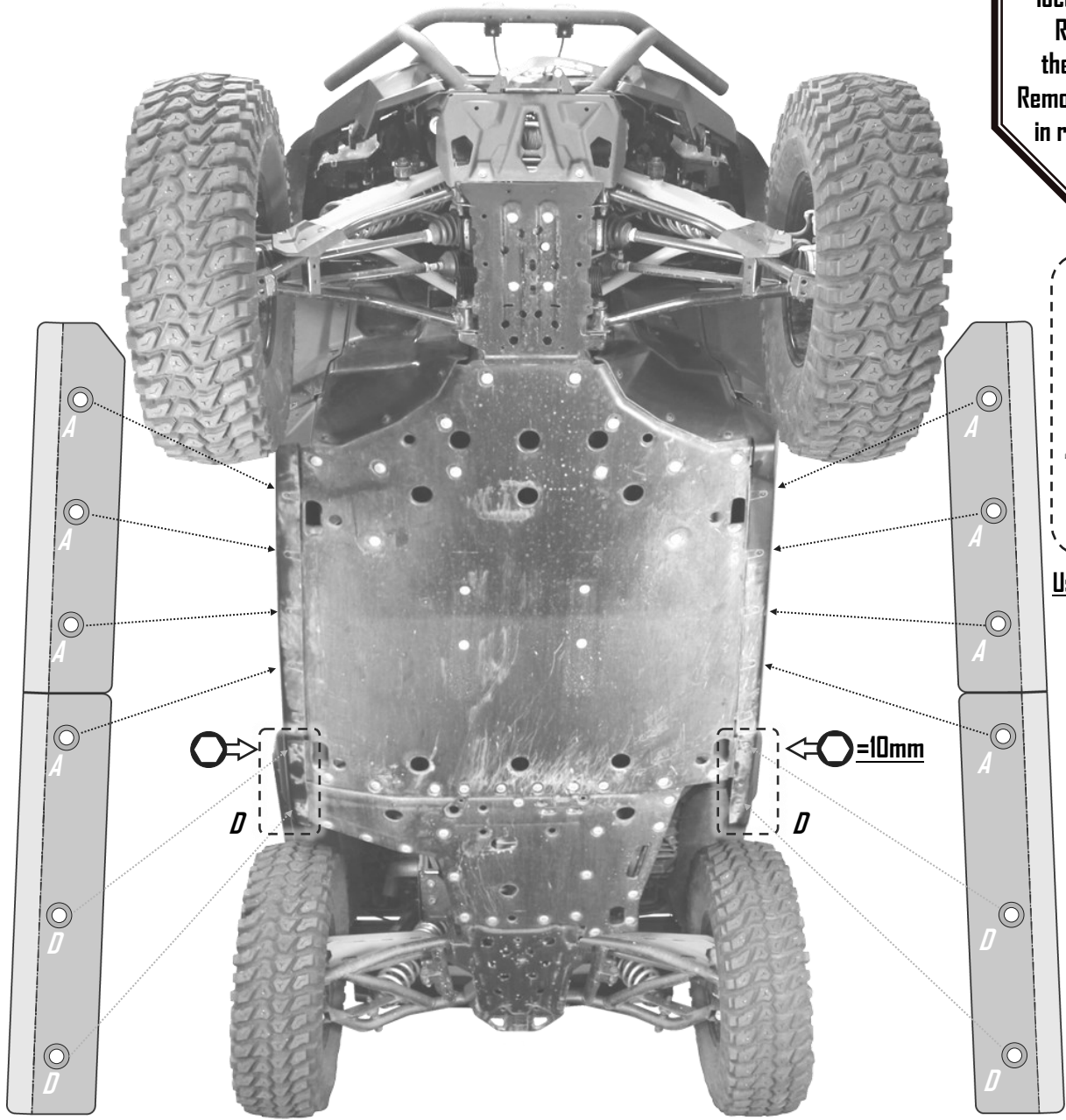
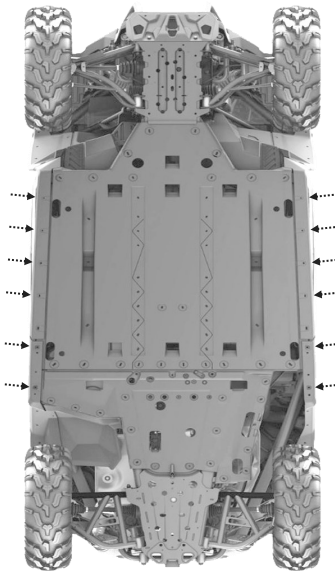
Recommendations:
 (1/4"-20) Tap, and clamps



1/4"-20 Tap to pre-thread holes

Installation may require the use of clamps or a car jack to aid holding skid plate during install.

Use same locations for older 2018+ Maverick trail/sport models :



Standalone Rocksliders installation




1st First step:

Remove (4x) M6 x 25mm Hex bolts in rear side panel (D) locations.
 Carefully drill side rivet locations as needed.
 Use caution while drilling, re-use mounting holes with self tapping bolts.
 (We recommend the use of a 1/4" - 20 Tap In drilled locations.)

2nd Second step:

Install Rocksliders using (A) and (D) bolts, with counter sunk washers.
 Use: (8x) 1/4"-20 x 1" Self Tapping Bolts in Rockslider: (A) locations.
 Use: (4x) M6- 1.0 x 30mm Flange Bolt in Rockslider: (D) locations.
 If rocksliders don't quite line up, loosen bolts and adjust for fitment,
 Re-fasten bolts holding pressure where they meet, fasten bolts securely.

Rock slider Hardware:

	8x
	1/4"-20 x 1" Self Tapping Bolt (#B-D:4)
	4x
	M6- 1.0 x 30mm Flange Bolt (#B-A:7)
	12x
	Counter Sunk Washers (#W-1)