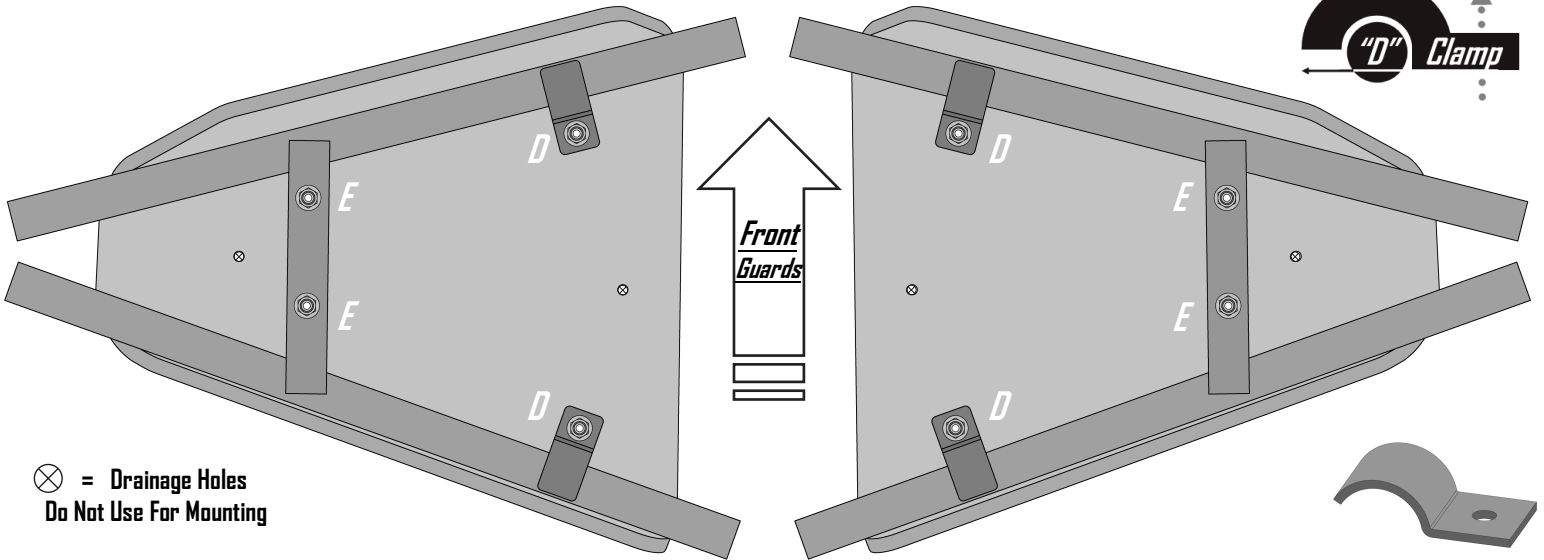
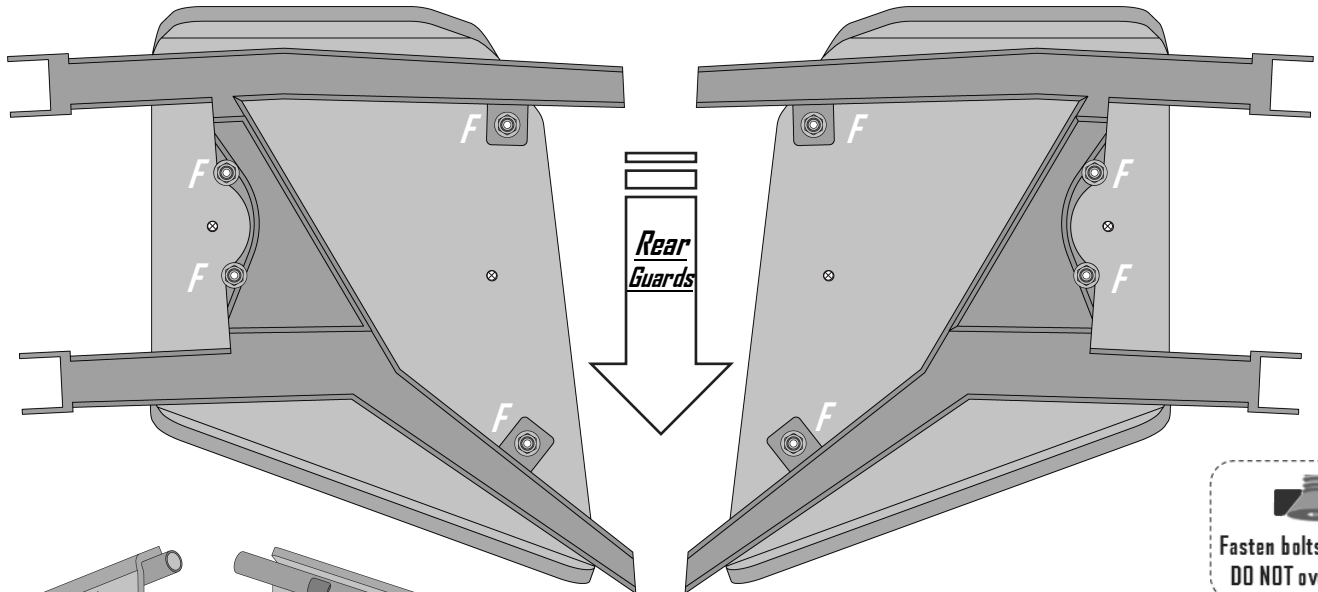


Can-Am Defender/ Defender Max (2018)

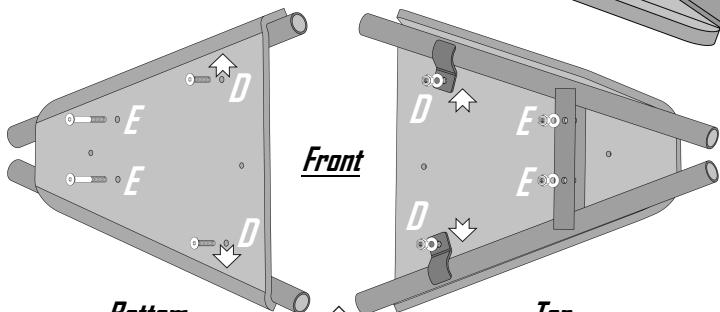
Factory UTV UHMW A-Arm Guard Instructions



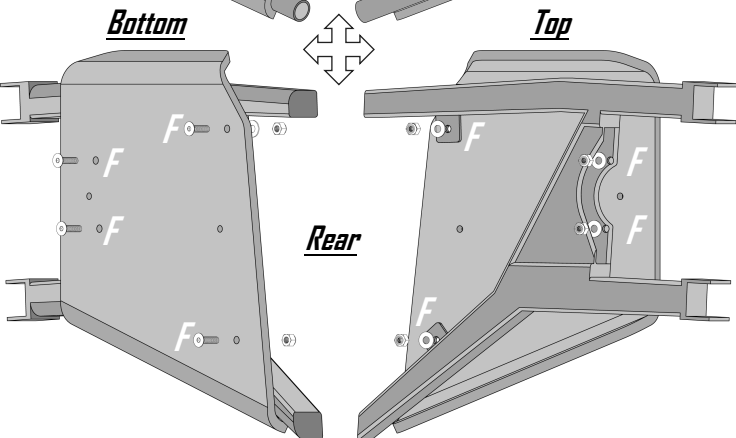
⊗ = Drainage Holes
Do Not Use For Mounting




Fasten bolts until flush
DO NOT over tighten



Front



Bottom

Top

Rear

Front A-Arm Guards:

Install "D" Clamps over A-Arm Tubing in (D) locations Use:

(4) $\frac{1}{4}$ "-20 x $1\frac{1}{4}$ " Counter Sunk Bolts, $\frac{1}{4}$ " Gold Washers, $\frac{1}{4}$ "-20 NyLock Nuts.

For (E) locations Use:

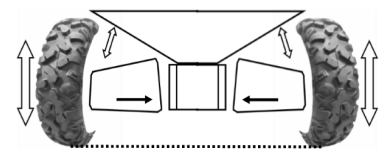
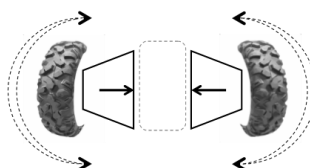
(4) $\frac{1}{4}$ "-20 x $2\frac{1}{4}$ " Counter Sunk Bolts, $\frac{1}{4}$ " Gold Washers, $\frac{1}{4}$ "-20 NyLock Nuts.

Rear A-Arm Guards:

For (F) locations Use:

(8) $\frac{1}{4}$ "-20 x 1" Counter Sunk Bolts, $\frac{1}{4}$ " Gold Washers, $\frac{1}{4}$ "-20 NyLock Nuts.

***Ensure** Clearance For Turn Radius &
Vertical Travel Before **Fastening ALL Bolts Securely.**



Can-Am Defender/ Defender max (2018) A-Arm Hardware

For Standard OEM A-Arm Guard Hardware:

#1 Front A-Arm Guards small bag:

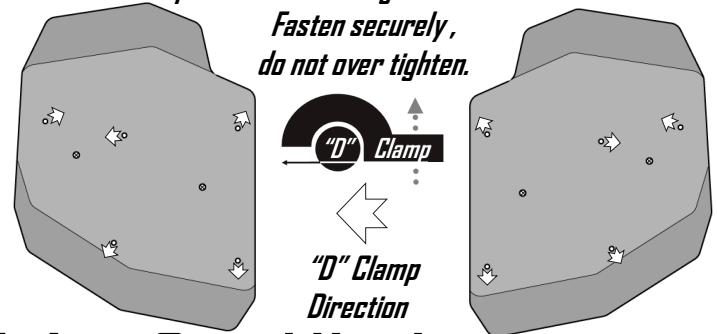
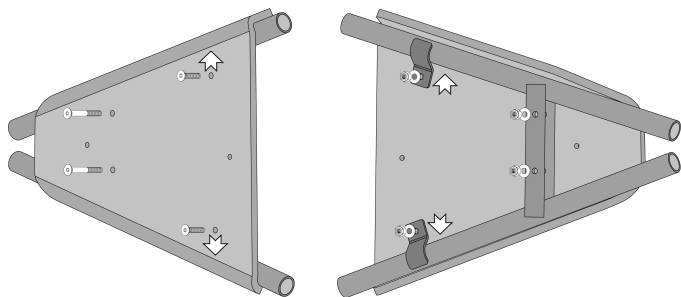
- 4x 1"x 1"- "D" Clamps (#C-D:2)
- 4x 1/4"-20 x 2 1/4" Counter Sunk Bolts (#B-C:5)
- 4x 1/4"-20 x 1 1/4" Counter Sunk Bolts (#B-C:2)
- 8x 1/4" Gold Washers (#W-3)
- 8x 1/4"-20 Ny-Lock Nut (#N-2)

#2 Rear A-Arm Guards small bag:

- 8x 1/4"-20 x 1" Counter Sunk Bolts (#B-C:1)
- 8x 1/4" Gold Washers (#W-3)
- 8x 1/4"-20 Ny-Lock Nut (#N-2)

If Installing CabXT/Lonestar Guards :

Install in a similar fashion to standard A-Arm guards.
 Use "D" clamps with short bolts over a-arm tubing in inner locations.
 Use the longer bolts through the frame at the ends of the A-Arms.
 Rear arms: hold guard in place on A-arm, place bolts through guard.
 Fasten "D" clamp over a-arm tubing in the arrow directions below.



For CabXT/Lonestar OEM A-Arm Guard Hardware:

#1 Front A-Arm Guards small bag:

- 4x 1"x 1"- "D" Clamps (#C-D:2)
- 4x 1/4"-20 x 2" Counter Sunk Bolts (#B-C:4)
- 4x 1/4"-20 x 1 1/4" Counter Sunk Bolts (#B-C:2)
- 8x 1/4" Gold Washers (#W-3)
- 8x 1/4"-20 Ny-Lock Nut (#N-2)

#2 Rear A-Arm Guards small bag:

- 10x 1"x 1 1/2"- "D" Clamps (#C-D:7)
- 10x 1/4"-20 x 1 1/4" Counter Sunk Bolts (#B-C:2)
- 10x 1/4" Gold Washers (#W-3)
- 10x 1/4"-20 Ny-Lock Nut (#N-2)