

Contact Us: **FACTORY UTV LLC.**

9237 Beatty Drive Sacramento, CA 95826

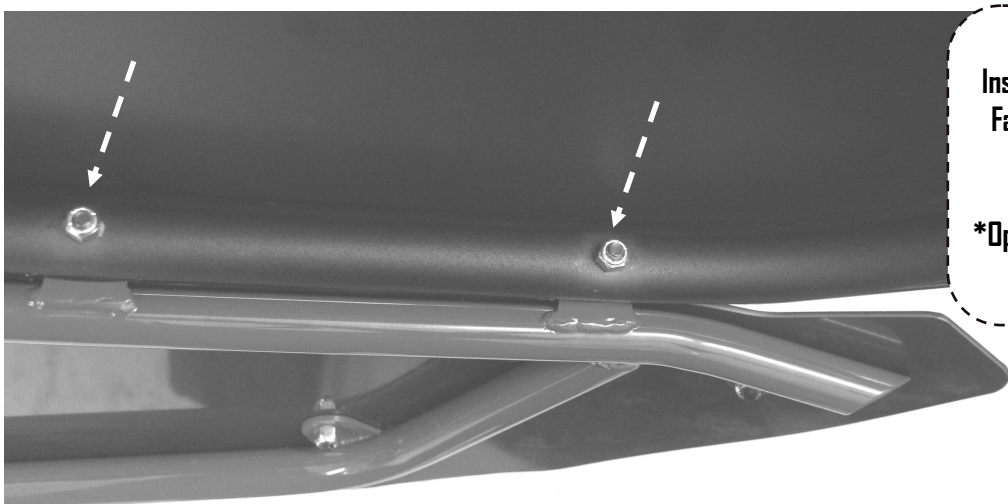
Phone : (916) 383-2730

E-mail : info@factoryutv.net

Go online: www.Factoryutv.net

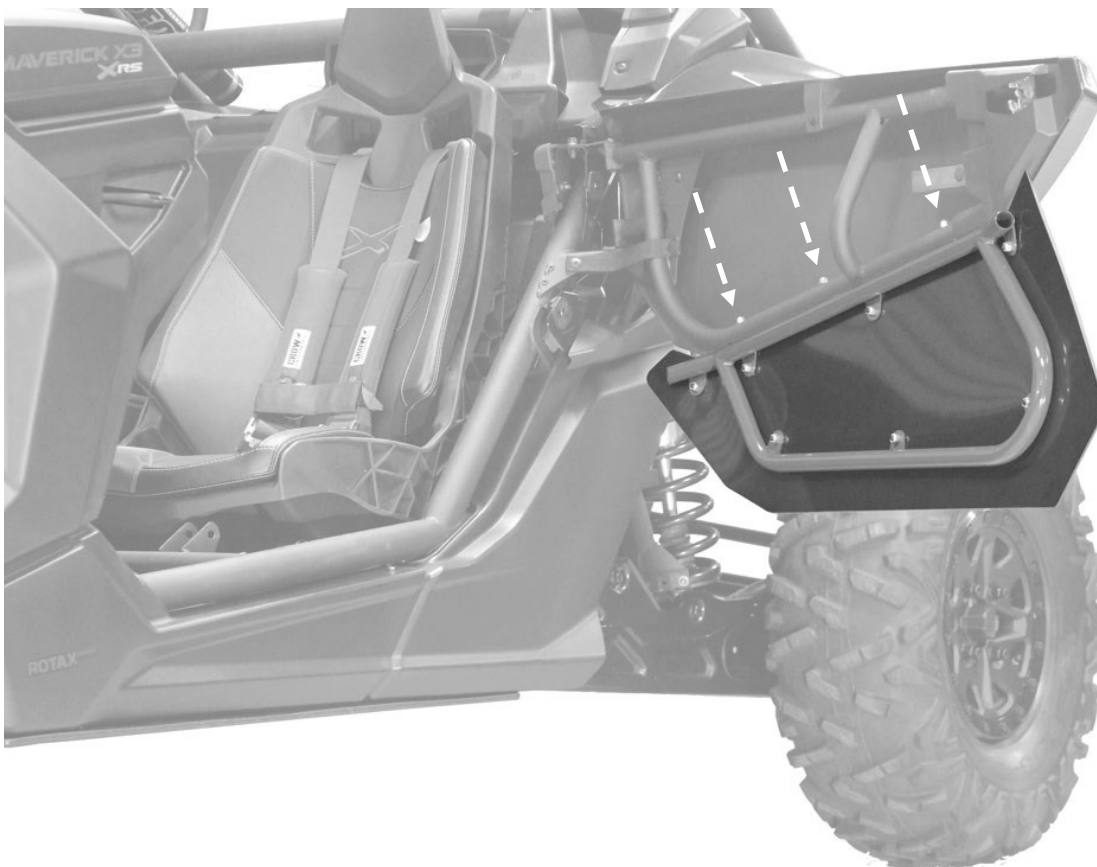


Can-Am Maverick X3 Door Insert Instructions

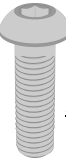




Using the provided hardware,
Install 3x bolts through factory holes on each side,
Fasten loosely with ny-lock nuts for adjustments,
then ensure all bolts are fastened securely.

*Optional, use of weather stripping along door edge.
(not included)



Hardware small bag:

	6x 1/4\"-20 x 1 1/2\" button head Bolts (#W-4)
	6x 1/4\"-20 gold washers (#W-4)
	6x 1/4\"-20 Ny-Lock Nut (#N-2)