

Contact Us: *FACTORY UTV LLC*

9237 Beatty Drive Sacramento, CA 95826

Phone : (916) 383-2730

E-mail : info@factoryutv.net

Go online: www.Factoryutv.net



U.H.M.W. Skid Plate / Under Armor Package

Ultra. High. Molecular. Weight. polyethylene all terrain skid plate / under armor kit for UTV's

Installation Guide (Ultimate Package)

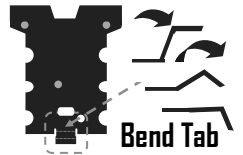
Polaris

Ranger XP 1000 (2018 - 2021+)



Polaris Ranger XP 1000 (2018 - 2021+) instructions

#1 **Remove:** stock skid plate, re-use stock hardware as needed in all (A) locations.
Bend front Diff tab inwards with a mallet. (See: Chassis diagram pg.3.)



#2 **Main Skid Plate :**
Install using : (10x) Stock Bolts & Washers (M6- 1.0 x 20mm Flange Bolts) in Main Skid: (A) locations.
(See Drilling Instructions Below) Mark, drill and install: (2x) ¼"-20 x ¾" Self Tapping Bolts in Main Skid : (B) locations.
Remove: (6x) T-40 Torx bolts on side panels. Install: (6x) M6- 1.0 x 25mm Flange Bolts along edge in Main Skid : (C) locations.

RS **If Rock Sliders :**
Install Rock sliders in-between skid and chassis Frame.
Install: (6x) M6- 1.0 x 30mm Flange Bolts in Main Skid / Rock slider : (C) locations.
(Rock sliders use longer "RS" bolts, in lieu of (C) bolts in (C) locations.)



#3 **Rear Skid Plate :**
(See Drilling Instructions Below) Align edge with Main Skid. Mark, drill and install: (6x) ¼"-20 x ¾" Self Tapping Bolts in Rear Skid : (B) locations. In the 2x rear most (B) locations. Drill in to crease of metal, between hump and flat areas. (See bottom of chassis diagram pg.3) (Mount forward bolts first, to aid positioning of rear skid and chassis frame before drilling.)



#4 **Front Diff. Skid Plate :**
Bend front diff tab inwards (See: chassis diagram pg.3.) *(See Drilling Instructions Below)*
(2021+) — : Align edge and Mark the center of each hole. Using a 9/32nd Drill bit, Drill and install: (4x) ¼"-20 x ¾" Flange Bolts with (4x) ¼"-20 Flange Lock Nuts in Front Diff. Skid : (B) locations.
(2018 - 2020) - : Align edge, mark, drill and install: (4x) ¼"-20 x ¾" Self Tapping Bolts in Front Diff. Skid : (B) locations.

Rear A-Arm Guards :

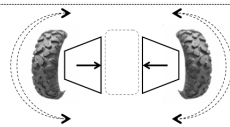
Install : (4x) ¼"-20 x 2 ¼" Counter Sunk Bolts W/(4x) ¼" Zinc Washers, and (4x) ¼"x 20 Ny-Lock Nuts in : (G) locations. (on Each Rear A-Arm Guard).

Front A-Arm Guards :

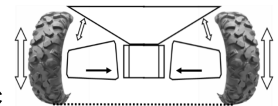
(2021+) — : Install : (4x) 1 x 1" "D" clamps over A-Arm tubing W/ (4x) ¼"-20 x 1 ¼" Counter Sunk Bolts, (4x) ¼" Gold Washers, and (4x) ¼"-20 Ny-Lock Nuts in: all locations. (On Each A-Arm Guard)

(2018 - 2020) — : Install : (3x) 1 x 1" "D" clamps over A-Arm tubing W/ (3x) ¼"-20 x 1 ¼" Counter Sunk Bolts, (3x) ¼" Gold Washers, and (3x) ¼"-20 Ny-Lock Nuts in: (D*) locations.

Install : (1x) ¼"-20 x 1 ½" Counter Sunk Bolts, W/ (1x) ¼" Gold Washers, and (1x) ¼"-20 Ny-Lock Nuts through stock mounting holes in: (E) locations. (On Each A-Arm Guard)



* **Ensure** Clearance For Turn Radius & Vertical Travel Before Fastening ALL Bolts Securely



* **Drilling Instructions :** *

Use a : #Nº7 (13/64th) drill bit,

(one size above the commonly available 3/16th bit) Recommended ¼" - 20 Tap *(Optional)

To drill and thread self tapping bolts in to chassis frame.

Finger Thread All Bolts Prior To Fastening Securely With Power Tools.

We strongly recommend the use of a "Thread Locking Compound" when installing any mounting hardware.

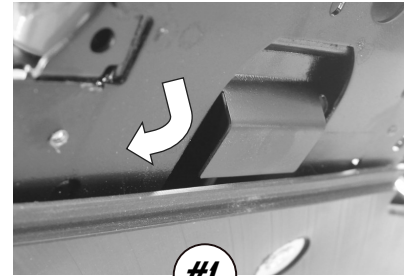
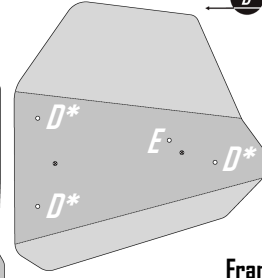
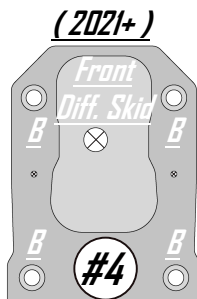
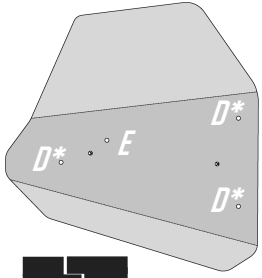
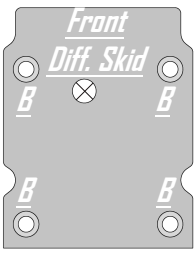
(When installation is complete , ensure all bolts are fastened securely.)

Polaris Ranger XP 1000 (2018 - 2021+)

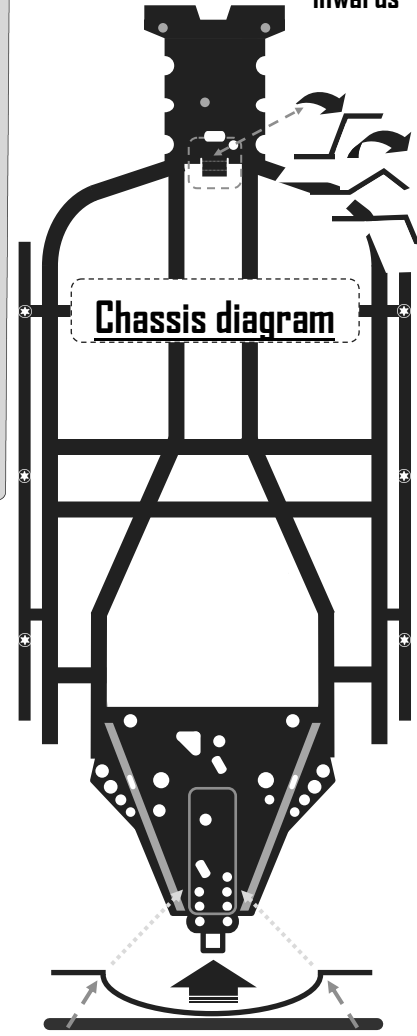
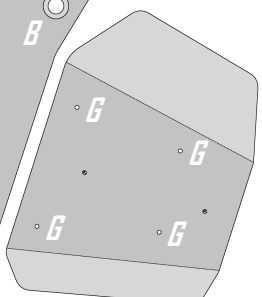
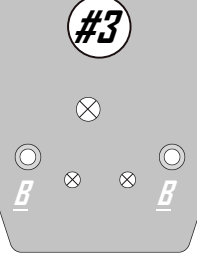
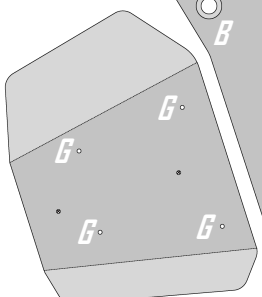
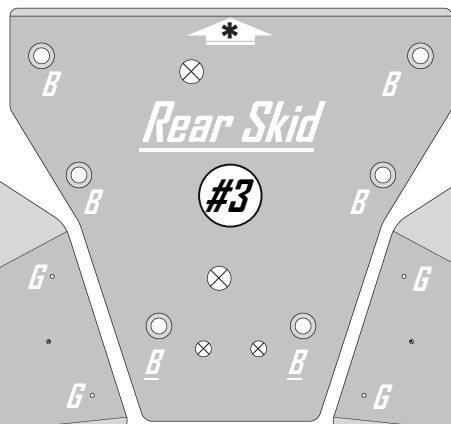
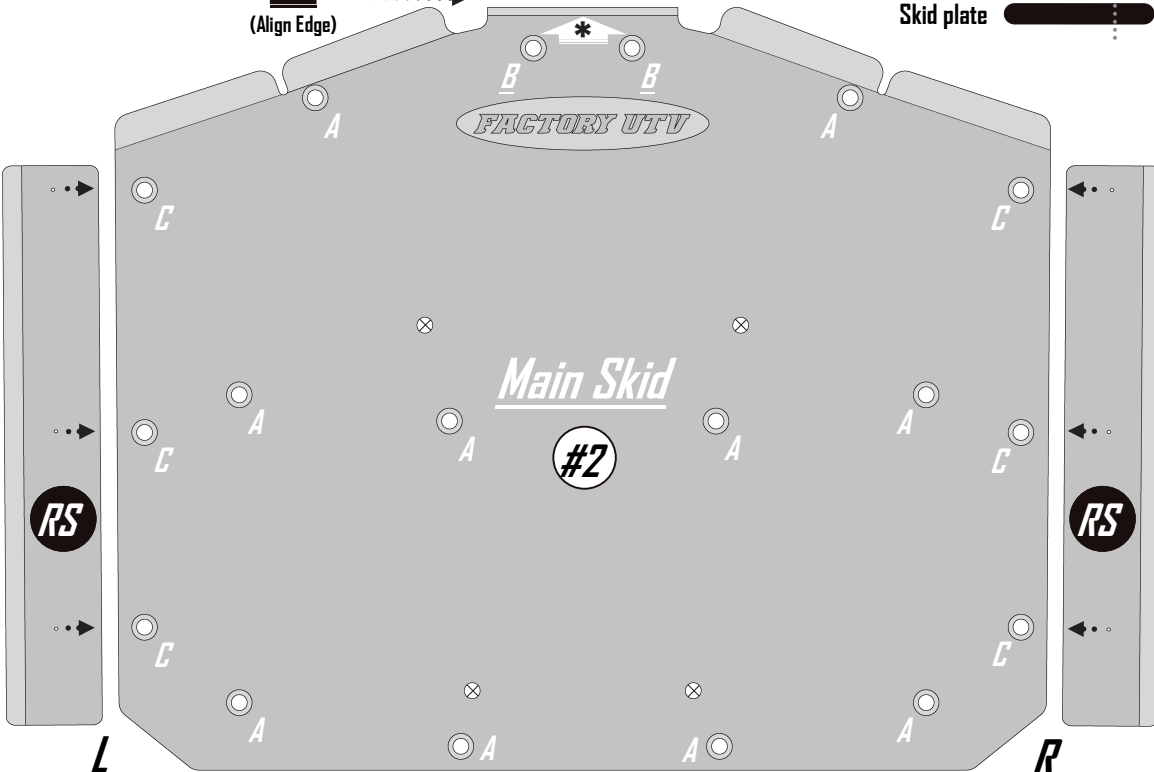
(2021+) Front A-Arm Guards: use same hardware for all locations.

Read :
 Instructions on pg.#2
 Remove stock skid plate.
 Reuse hardware as needed.
 Skid plate will form to fit.
 See drilling instructions
 prior to drilling.

(2018 - 2020)



#1
 Bend Tab
 inwards





Drill in to crease
 for rear "B" locations.


- * = "D" Clamp locations
- _ = Drilling locations
- ⊗ = Drainage Holes
- Do Not Use For Mounting

Polaris Ranger XP 1000 (2018 - 2021+) Hardware

#2 Main skid Small Bag


 **6x**
M6- 1.0 x 20mm Flange Bolt (#B-A:5)


 **2x**
1/4"-20 x 3/4" Self Taping Bolt (#B-D:2)

 **8x**
Counter Sunk Washers (#W-1)

RS *If Rock sliders Small Bag:


*** Use in lieu of 6 main skid C bolts**

 **6x**
M6- 1.0 x 30mm Flange Bolt (#B-A:7)


 **6x**
Counter Sunk Washers (#W-1)
 Washers needed for standalone installation only.


#3 Rear skid Small Bag:

 **6x**
1/4"-20 x 3/4" Self Taping Bolt (#B-D:2)


 **6x**
Counter Sunk Washers (#W-1)

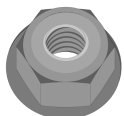
#4 (2018 - 2020) Front Diff. Small Bag:


 **4x**
1/4"-20 x 3/4" Self Taping Bolt (#B-D:2)

 **4x**
Counter Sunk Washers (#W-1)


#4 (2021+) Front Diff. Small Bag:


 **4x**
1/4"-20 x 3/4" Flange Bolt (#B-A:2)

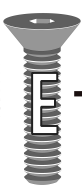
 **4x**
1/4"-20 Flange Lock Nut (#N:3)


 **4x**
Counter Sunk Washers (#W-1)

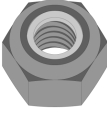
F (2018 - 2020) Front A-Arms Small Bag:

 **6x**
1"x 1" "D" Clamps (#C-D:2)

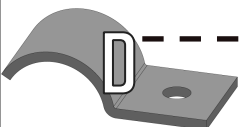
 **6x**
1/4"-20 x 1 1/4" Counter Sunk Bolts (#B-C:2)


 **2x**
1/4"-20 x 1 1/2" Counter Sunk Bolts (#B-C:3)


 **8x**
1/4"sm Gold Washers (#W-3.0)

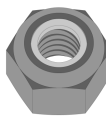
 **8x**
1/4"-20 Ny-Lock Nut (#N-3)

F (2021+) Front A-Arms Small Bag:


 **8x**
1"x 1" "D" Clamps (#C-D:2)


 **6x**
1/4"-20 x 1 1/4" Counter Sunk Bolts (#B-C:2)


 **8x**
1/4"sm Gold Washers (#W-3.0)

 **8x**
1/4"-20 Ny-Lock Nut (#N-3)

R Rear A-Arms Small Bag:

 **8x**
1/4"-20 x 2 1/4" Counter Sunk Bolts (#B-C:5)

 **8x**
1/4"sm Silver Washers (#W-4.0)

 **8x**
1/4"-20 Ny-Lock Nut (#N-3)