




# Polaris RZR Pro R (2022+) Standalone Front Diff skid

- #1 Align and center skid plate with opening in stock skid.  
Hold skid in place and Mark Holes for B locations. ( Use of a jack or clamps may help to hold in place )
- #2 Drill a 13/64<sup>th</sup> hole for self tapping bolts, in B locations.  
use of a 1/4"-20 tap is required to thread thicker plate areas.
- #3 Install : ( 10x ) 1/4"-20 x 3/4" Self Tapping Bolts in B locations with counter sunk washers,  
fasten bolts loosely for adjustments. When aligned, fasten from rear locations to the front locations.

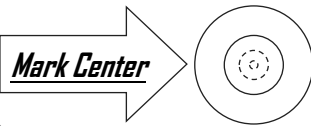
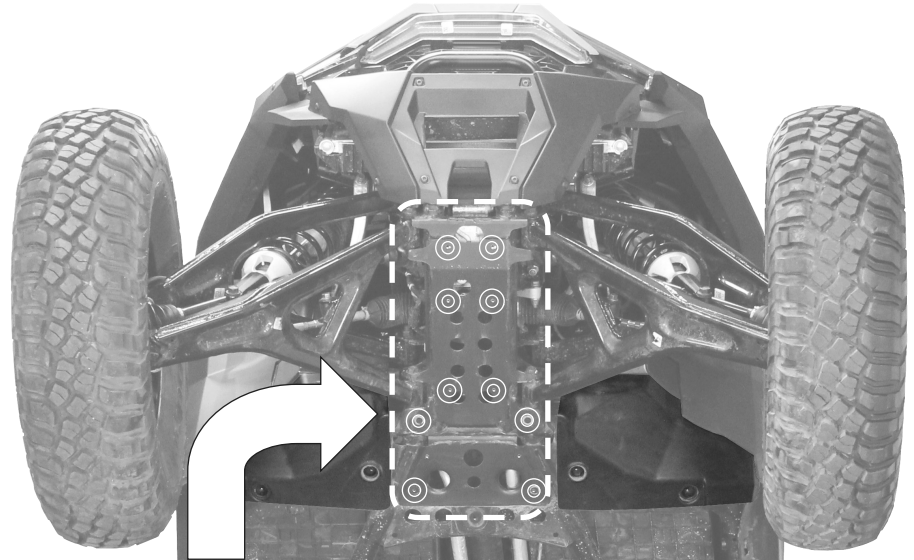
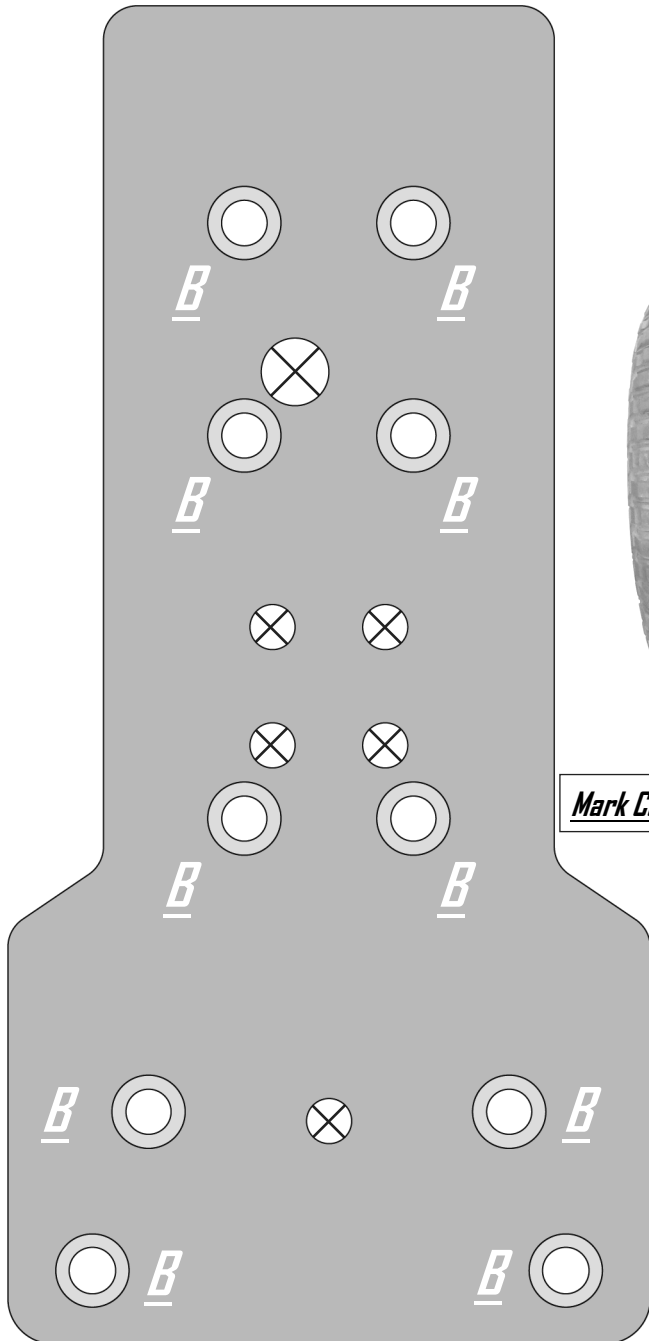
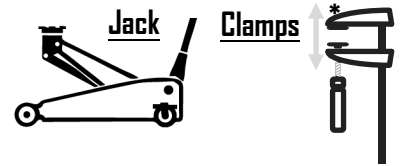
### Installation Requires:

**Drill Bits**      ( 1/4"-20 ) Tap

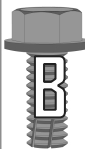
13/64<sup>th</sup>  

 = 3/8


*May Require:*  
Jack or clamps to aid in installation



#1 **Front Diff Skid bag:**

 ----- 10x

**1/4"-20 x 3/4" Self Tapping Bolt (#B-D:2)**

 ----- 10x

**Counter Sunk Washers (#W-1)**