

Honda Talon 1000 (R) & (X) Trailing-Arm Guard Installation

Trailing-Arm Guard Installation

Hold Trailing arm guard in place,

Install: 1/4"-20 x 3" Hex Flange Bolts through Trailing arm guard,

Fasten with Zinc Washers and Ny-lock nuts in T:l locations.

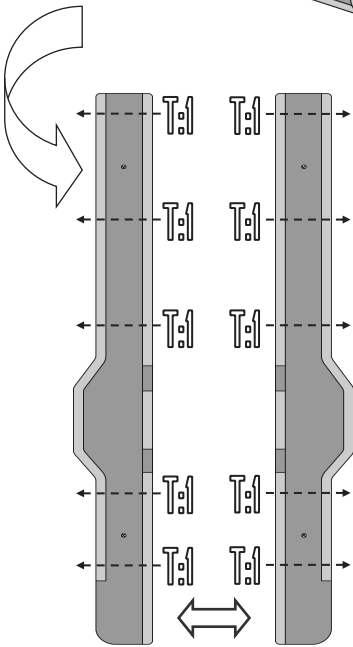
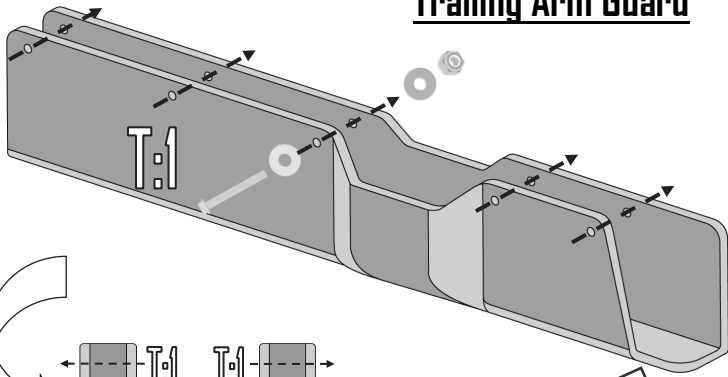
Installation may require the use of a floor jack and firm upwards pressure for fitment.

(Removal of rear wheel may be required)



R

Trailing Arm Guard



Install with notched edge's facing away from vehicle

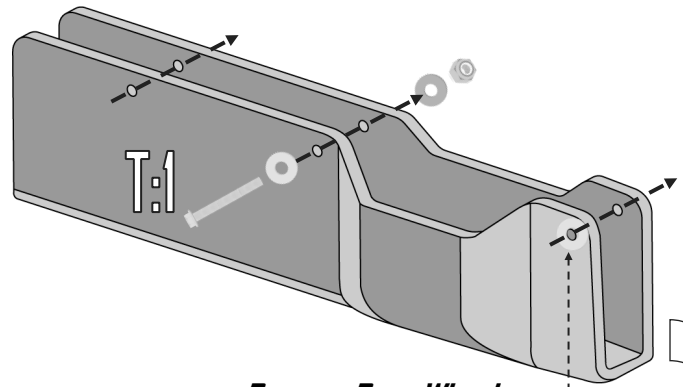
*** Trailing arm guard Install Tip:**
Use of clamps may help with fitment.
Squeeze top of guard to aid with bolts



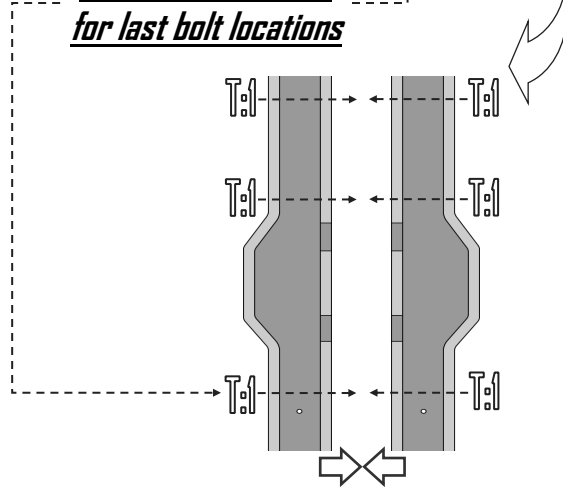
⊗ = Drainage Holes
Do Not Use For Mounting

X

Trailing Arm Guard

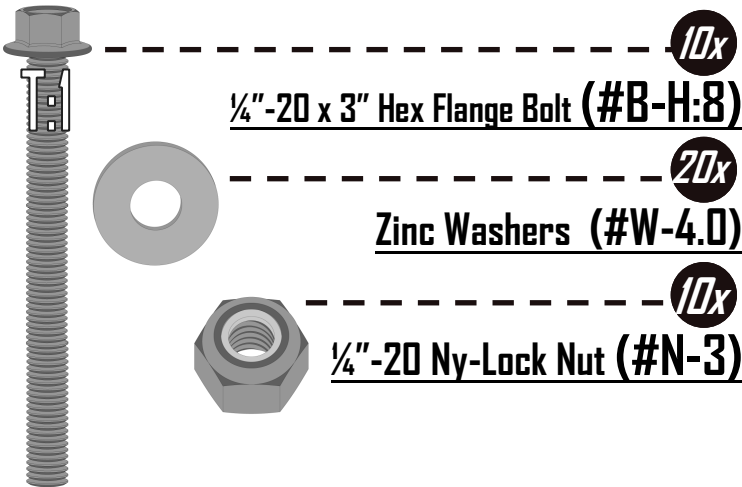


Remove Rear Wheel for last bolt locations



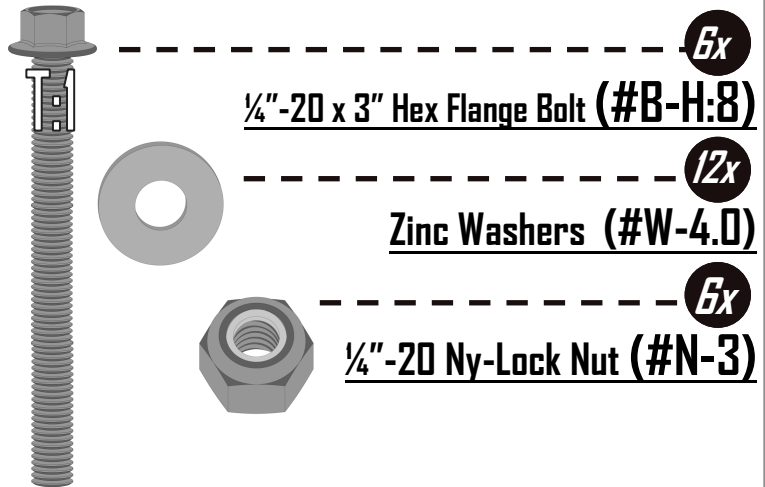
R

(R) Trailing arm guard Hardware:



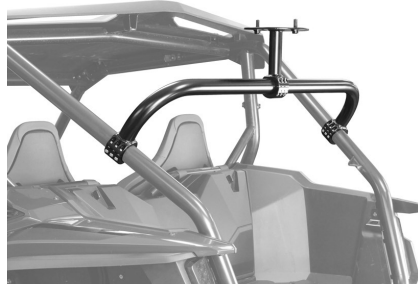
X

(X) Trailing arm guard Hardware:



Honda Talon 1000 X-R (2019+)

Go online to www.FactoryUTV.net and check out our other Talon products:

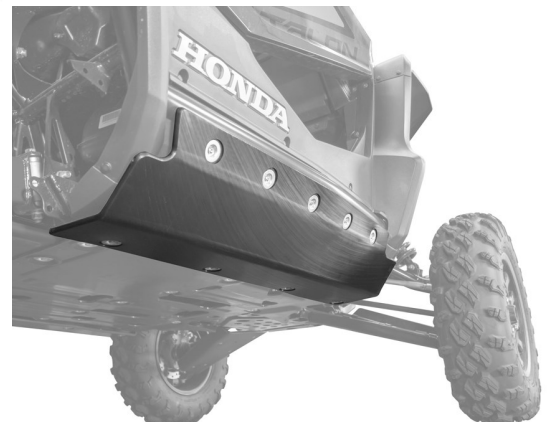
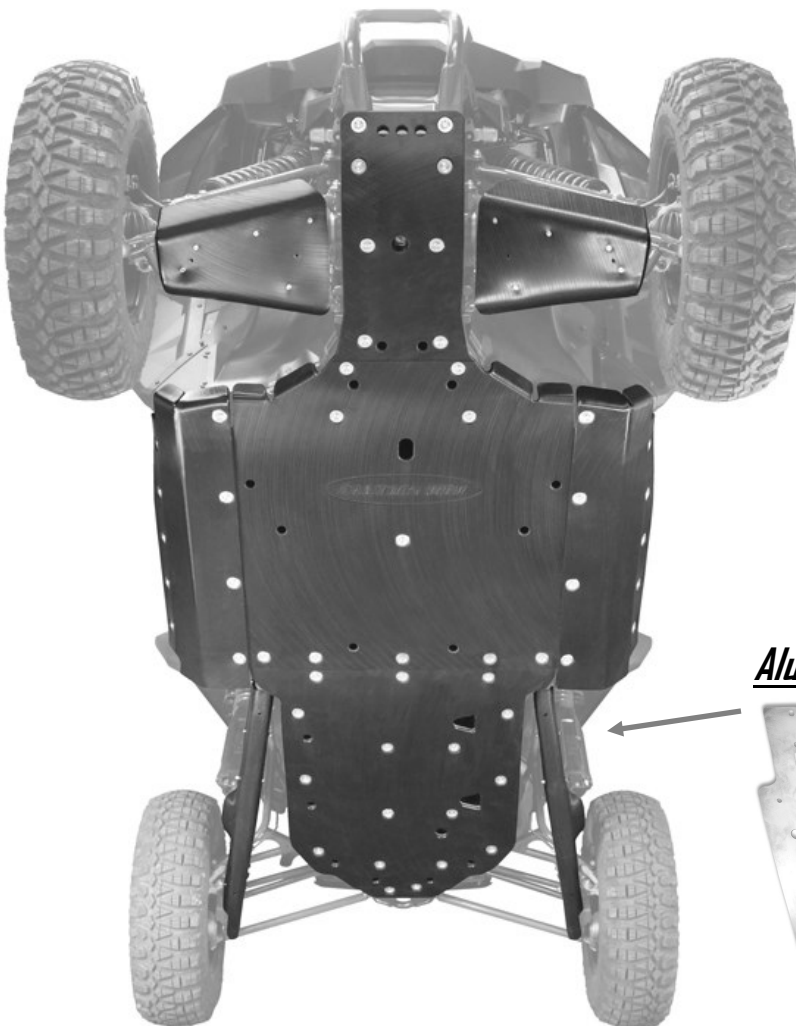


*Dual clamp
spare tire mount*

UHMW Rocksldiers



UHMW Skid Plate Packages



Aluminum X-Brace Plate

