

**Contact Us: FACTORY UTV LLC**

9237 Beatty Drive Sacramento, CA 95826

Phone : (916) 383-2730

E-mail : [info@factoryutv.net](mailto:info@factoryutv.net)

Go online: [www.Factoryutv.net](http://www.Factoryutv.net)



## **U.H.M.W. Skid Plate / A-Arm Guard Package**

*Ultra. High. Molecular. Weight. polyethylene all terrain skid plate / under armor kit for UTV's*

### **Installation Guide (A-Arm Guard Package )**

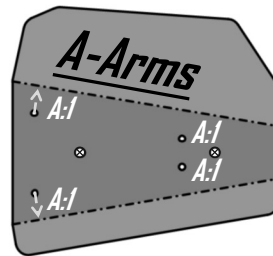
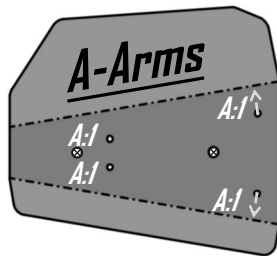
# ***Kawasaki***

## ***MULE PRO (2016)***

***Fits : DX, DXT, FX, FXT, And EPS Models***



# Kawasaki MULE PRO (2016) A-Arm Guard Package



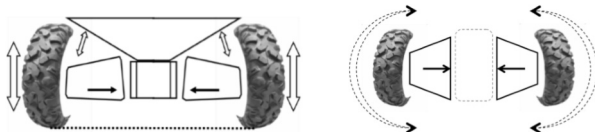
## A-Arm Guards (Front A:1) (Rear A:2) Remove stock guards prior to fitting

### U.M.H.W. A-Arm Guards

Install : 1" x 1" "D" Clamps (A:1) over front A-Arm tubing using a 1/4"-20 x 1 1/4" Counter Sunk Bolts, with a 1/4" Gold Washer, and a 1/4"-20 Ny-Lock Nut in all: (A:1) locations.

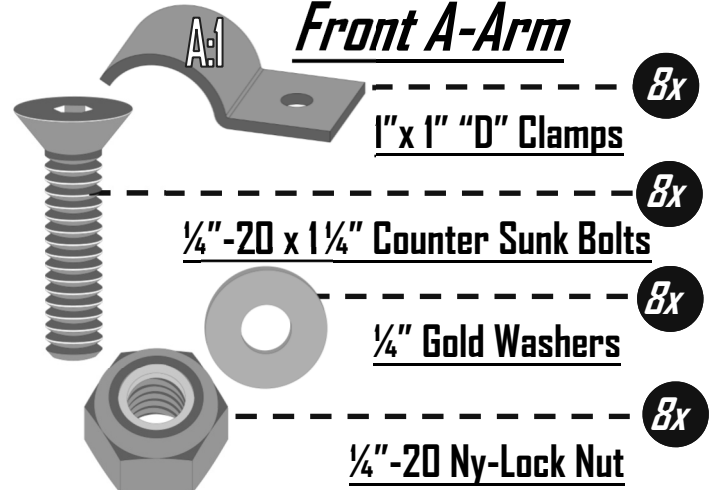
Install : 1" x 1 1/4" "D" Clamps (A:2) over rear A-Arm tubing using a 1/4"-20 x 1 1/4" Counter Sunk Bolts, with a 1/4" Gold Washer, and a 1/4"-20 Ny-Lock Nut in all: (A:2) locations.

\* Ensure Clearance For Turn Radius & Vertical Travel  
Before Fastening ALL Bolts Securely  
( Tighten until bolts are flush with plastic )

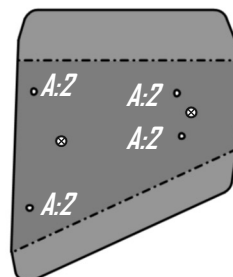
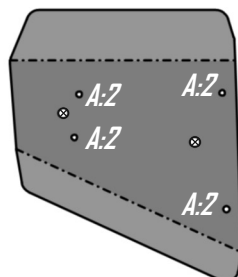
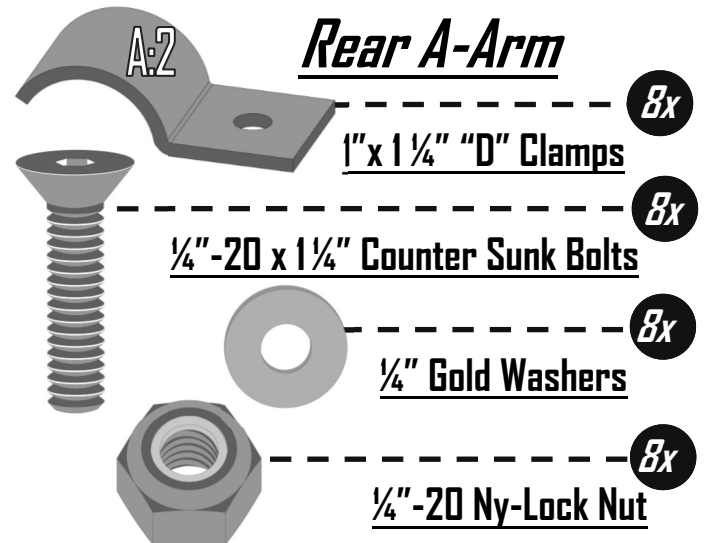


## A-Arm Hardware

### Front A-Arm



### Rear A-Arm



⊗ = Drainage Holes  
Do Not Use For Mounting