

Contact Us: *FACTORY UTV LLC*

9237 Beatty Drive Sacramento, CA 95826

Phone : (916) 383-2730

E-mail : info@factoryutv.net

Go online: www.Factoryutv.net



U.H.M.W. A-Arm Guards / Trailing arm Guards

Ultra. High. Molecular. Weight. polyethylene all terrain skid plate / under armor kit for UTV's

Polaris RZR 200

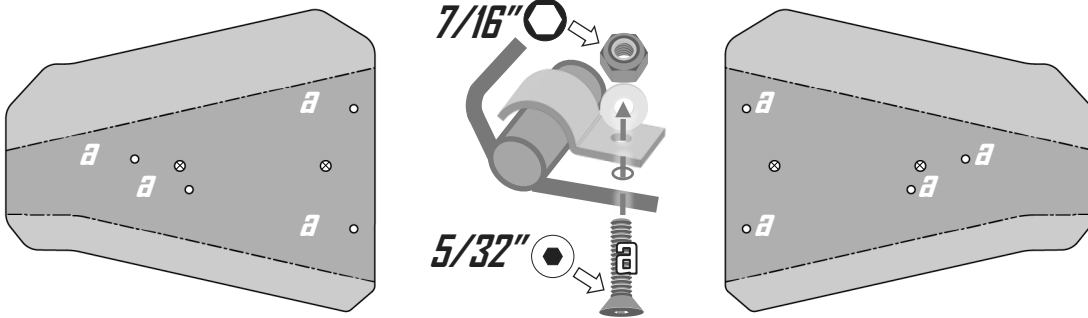
(2022+)

Installation Guide



Polaris RZR 200 (2022+)

UHMW A-Arm Guards



A-arm Guards :

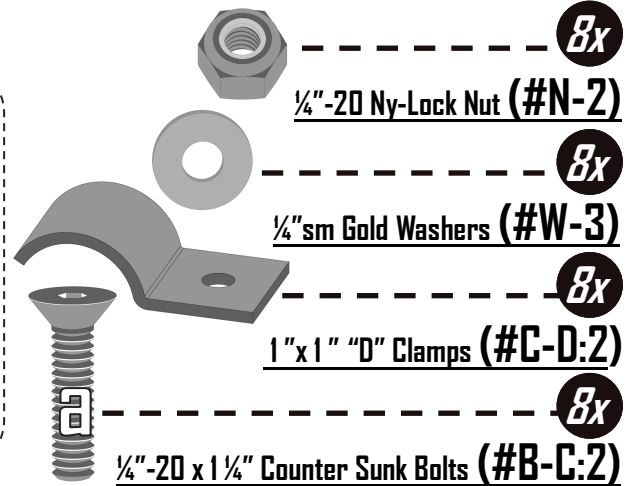
Install guards with D Clamps over A-arm frame tubing, using (8x) 1" x 1" "D" Clamps (#C-D:2), (8x) 1/4"-20 x 1 1/4" Counter Sunk Bolts (#B-C:2), (8x) 1/4" sm Gold Washers (#W-3) and (8x) 1/4"-20 Ny-Lock Nuts (#N-2) in A-Arm Guard : (a) locations.
Fasten loosely to allow for adjustments before tightening until flush, Do not over tighten.

Installation Requires:

● = 5/32 ○ = 7/16

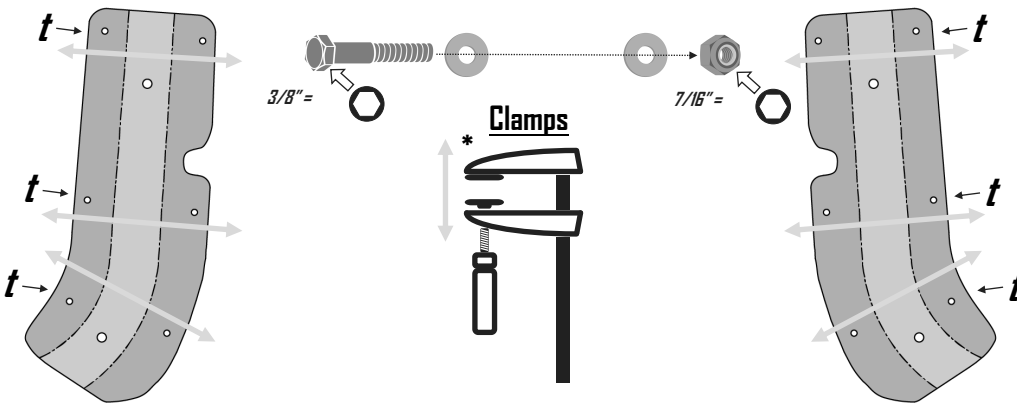


A-arm Guard Hardware



Polaris RZR 200 (2022+)

UHMW Trailing Arm Guards

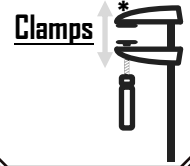


Trailing arm Guards :

Remove Rear Wheels before installation, install bolts from outside towards center. Use of clamps are required For installation, Install: (6x) 1/4"-20 x 3" Hex head Bolts (#B-H:8), (12x) 1/4" sm Gold Washers (#W-3) and (6x) 1/4"-20 Ny-Lock Nuts (#N-2) in Trailing arm Guard: (t) locations. Clamp in to position, Re-clamp per each bolt location to reach fastener or multiple clamps. Fasten until UHMW is snug and tight, the UHMW will form to the Vehicael over time.

Installation Requires:

○ = 3/8 ○ = 7/16



Trailing arm Guard Hardware

