

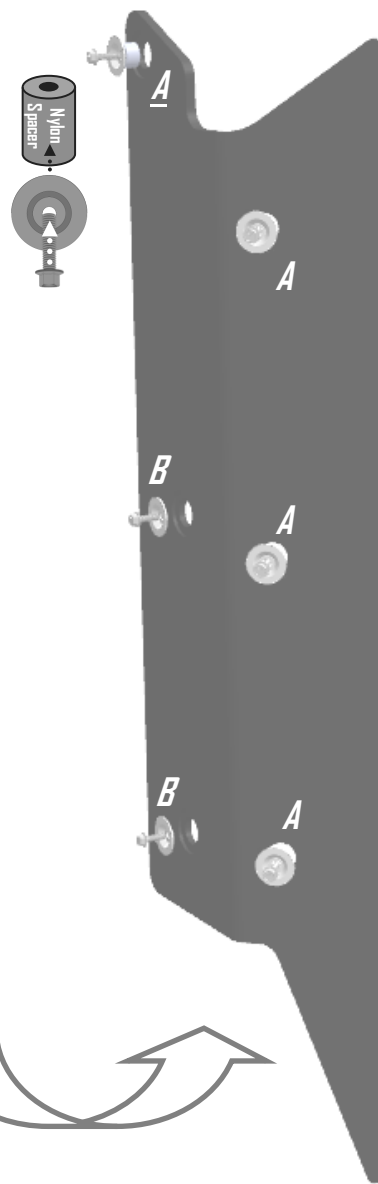
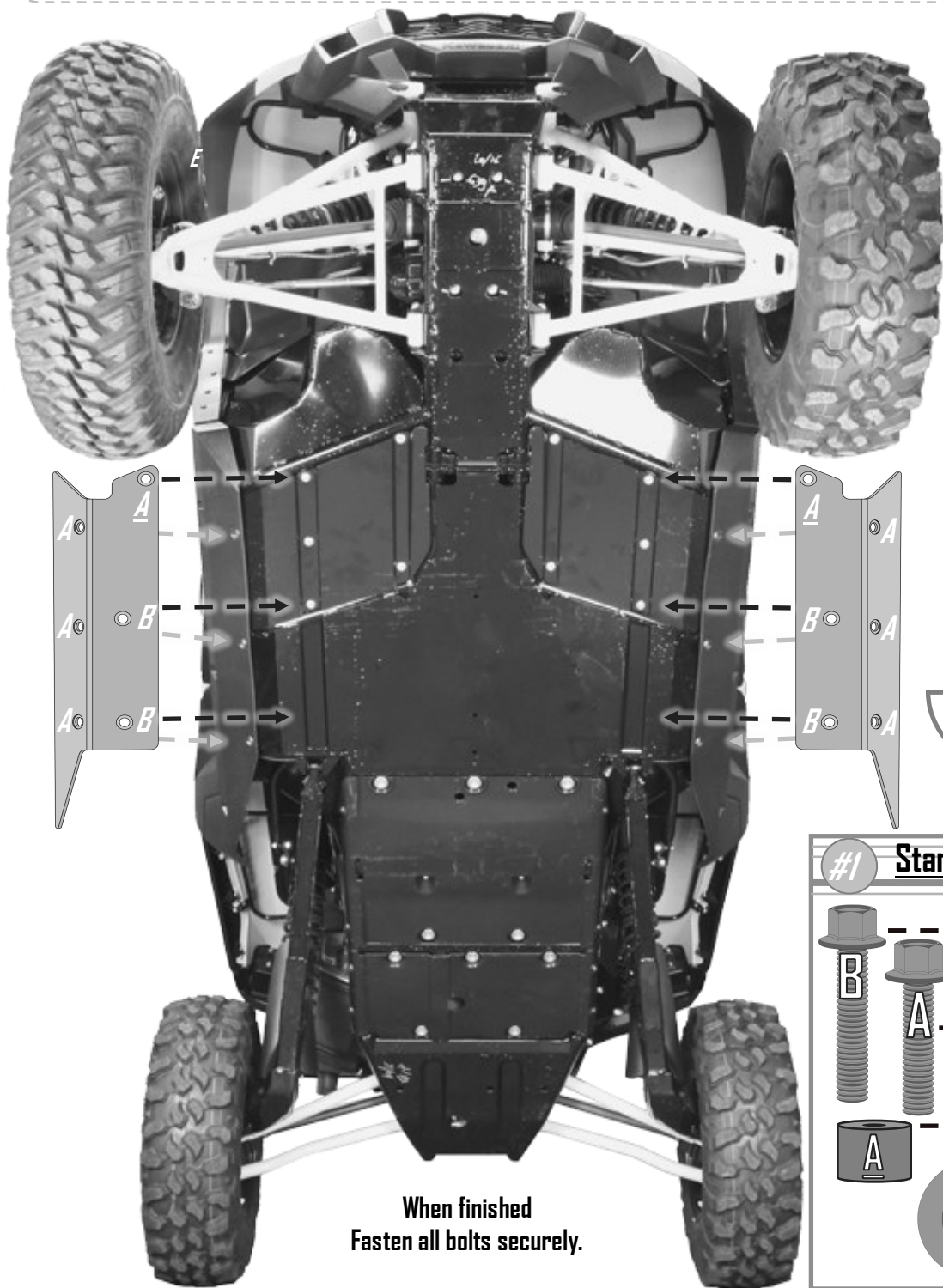


Contact Us: FACTORY UTV LLC.
 9237 Beatty Drive Sacramento, CA 95826
 Phone : (916) 383-2730
 E-mail : info@factoryutv.net
 Go online: www.Factoryutv.net

Kawasaki Teryx KRX 1000 (2020+)


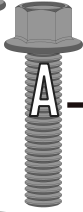


Install Rocksliders, remove stock bolts as needed.

Install (4x) M6- 1.0 x 20mm Flange Bolt in (B) locations, fasten loosely for installation adjustments.
 Install (2x) M6- 1.0 x 30mm Flange Bolt with (2x) 1/2" Nylon Spacers in (A) locations, fasten loosely.
 Make skid adjustments if needed, Install remaining (6x) M6- 1.0 x 30mm Flange Bolt in (A) locations.



**When finished
 Fasten all bolts securely.**

#1 Standalone Rocksliders Large bag:

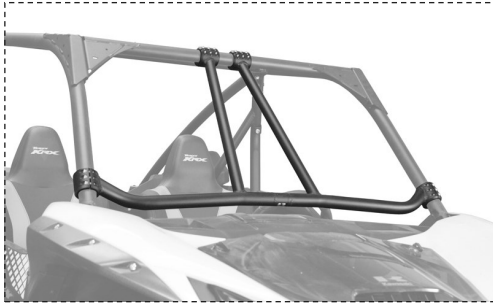
-  **8x**
M6- 1.0 x 20mm Flange Bolt (#B-A:5)
-  **4x**
M6- 1.0 x 30mm Flange Bolt (#B-A:7)
-  **2x**
1/2" Nylon Spacer (#S-R:8)
-  **12x**
Counter Sunk Washers (#W-1)



Kawasaki Teryx KRX 1000 (2020+)

Go online to www.FactoryUTV.net

Check out our other
Kawasaki Teryx KRX 1000 (2020+)
products:



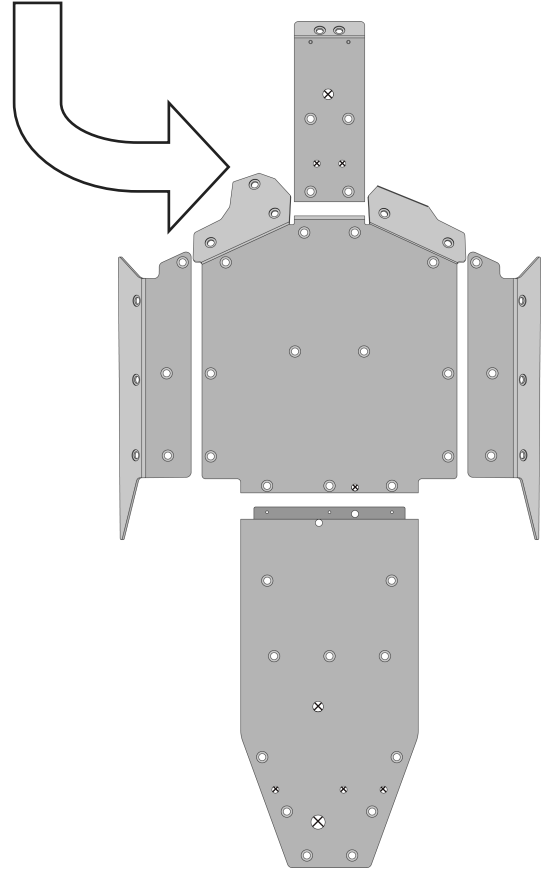
Intrusion bars



Dual Clamp Spare Tire Mounts



To Complete UHMW Skid Plate Kit:
Contact us to order center skid plate portion as an upgrade kit.
Rocksliders in this package work with full skid plate package.



Harness Bars

