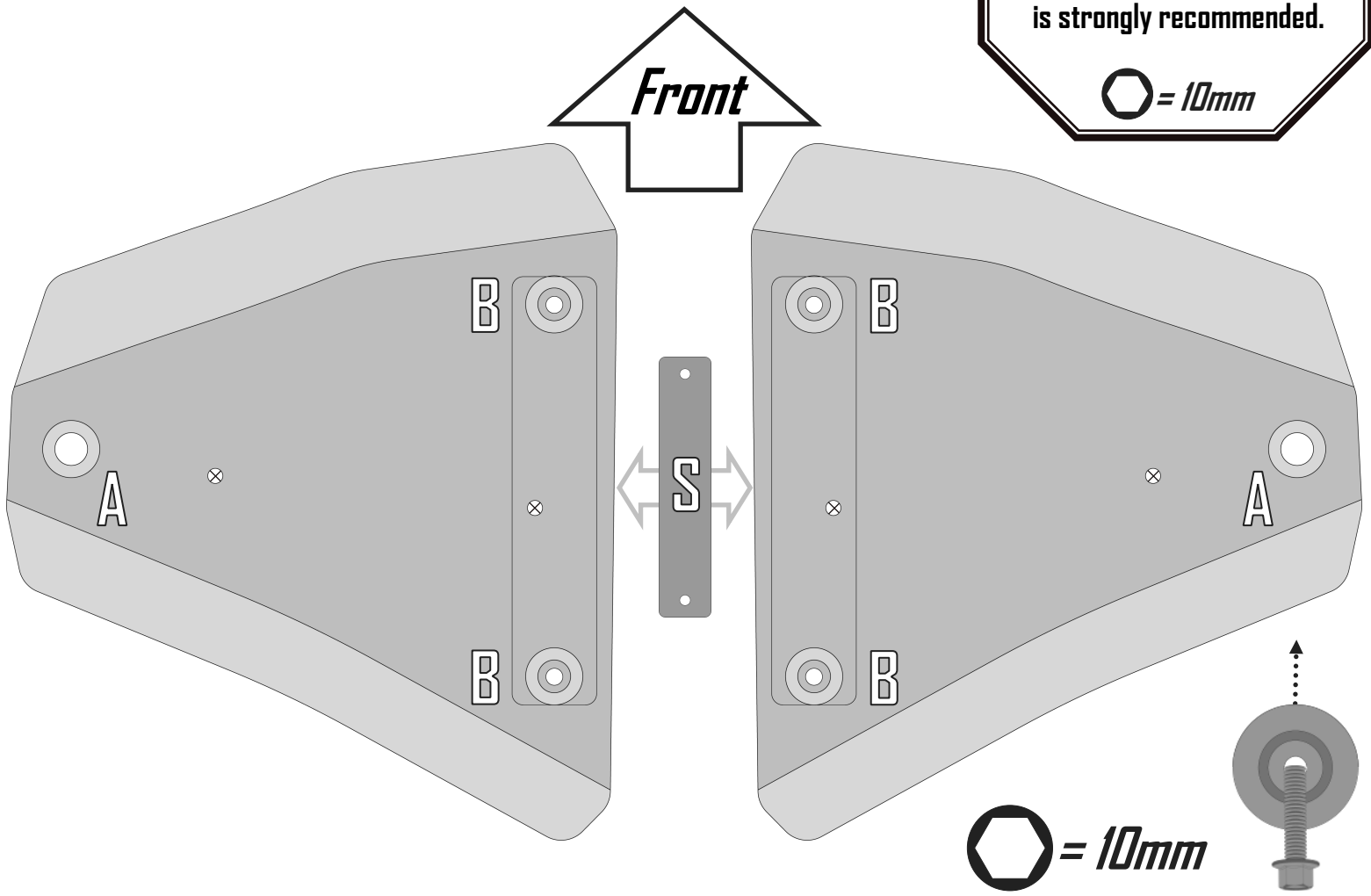
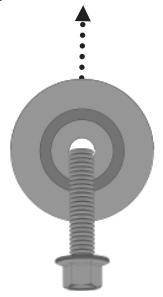


Yamaha Wolverine RMAX 4 (2020 - 2021+)

UHMW Front A-arm Guard Installation Guide.

Installation Requires:
 10mm socket.
 Use of Thread locking compound is strongly recommended.

 = 10mm

 = 10mm


Front A-arm Guard Installation :

First:





Hold A-arm guard in place,
 Install : (2x) M6- 1.0 x 20mm Flange Bolts
 in (A) locations.

Second:

Slide (S) Spacers in-between A-arm and A-arm Guards,
 Install : (4x) M6- 1.0 x 40mm Flange Bolts in (B) locations
 to fasten A-arm guards and spacers.

Fasten securely before use.

#1 Front A-arm Guard Hardware

-  **2x**
 -  **4x**
 -  **5x**
 -  **2x**
- M6- 1.0 x 20mm Flange Bolt (#B-A:5)**
- M6- 1.0 x 40mm Flange Bolt (#B-A:9)**
- Counter Sunk Washers (#W-1)**
- 1/2" UHMW Spacer (#S-C:16)**

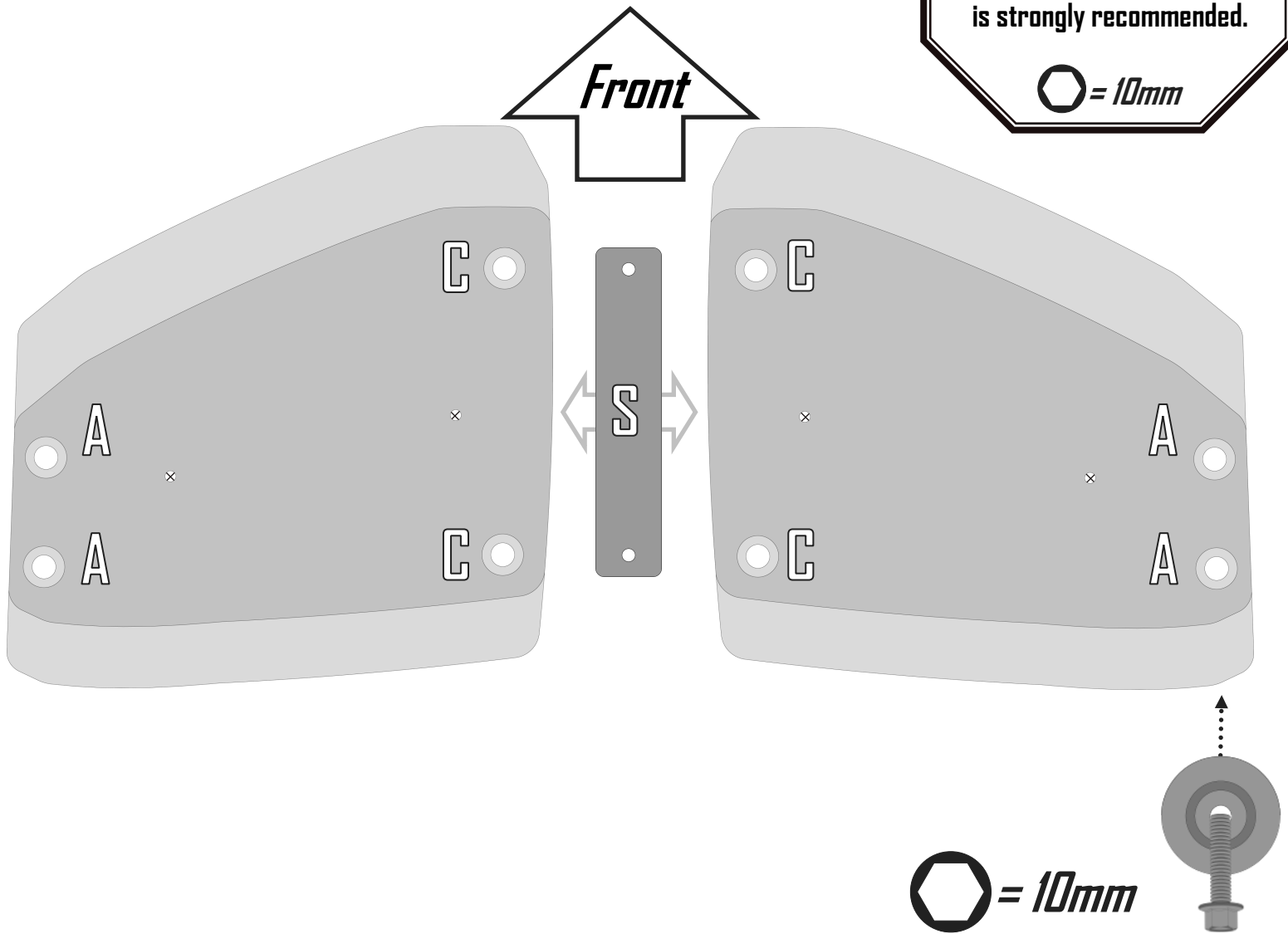
⊗ = Drainage Holes
 Do Not Use For Mounting

Yamaha Wolverine RMAX 4 (2020 - 2021+)

UHMW Rear A-arm Guard Installation Guide.

Installation Requires:
 10mm socket.
 Use of Thread locking compound is strongly recommended.

 = 10mm



 = 10mm

Rear A-arm Guard Installation :

First:


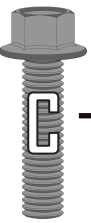


Hold Rear A-arm guard in place,
 Install : (2x) **M6- 1.0 x 20mm Flange Bolts**
 Loosely in (A) locations.

Second:

Slide (S) Spacers in-between A-arm and A-arm Guards,
 Install : (4x) **M6- 1.0 x 25mm Flange Bolts**
 in (C) locations.

Fasten all bolts securely before use, do not over tighten.
Use of thread locker recommended.

#2 Rear A-arm Guard Hardware

-  **4x**
M6- 1.0 x 20mm Flange Bolt (#B-A:5)
-  **4x**
M6- 1.0 x 25mm Flange Bolt (#B-A:6)
-  **8x**
Counter Sunk Washers (#W-1)
-  **2x**
1/2" UHMW Spacer (#S-C:16)

⊗ = Drainage Holes
 Do Not Use For Mounting