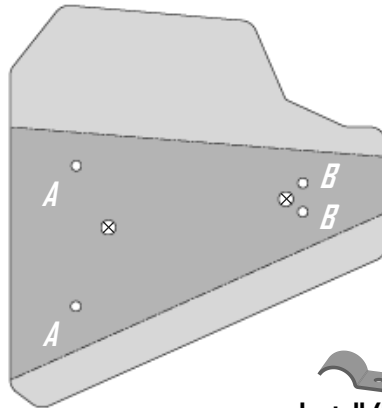
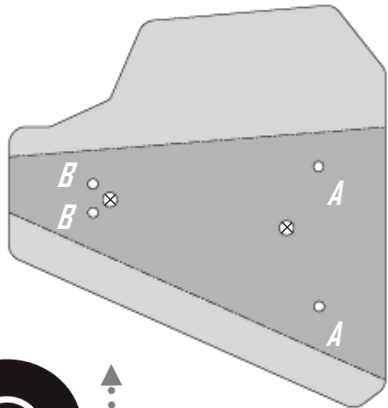


Factory UTV Polaris RZR 900 - S - 1000 S - Trail - XC (2014-2021+)

UHMW A-Arm Guards Installation Guide

Fasten Loosely to allow for fitment adjustments, secure all bolts when complete.

Do Not Over Tighten Bolts through guards



**900, 900 "S"
1000 "S"**

RZR 900, 900 "S" 1000 "S"

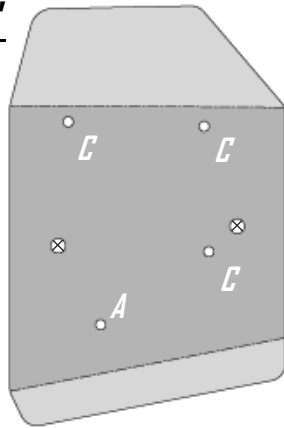
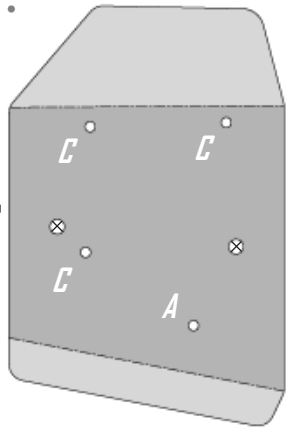
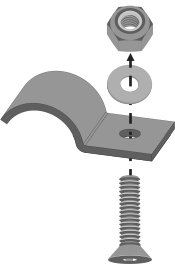
Front A-Arm Guard:

Holding "D" clamps over a-arm tubing,
Install (2x) $\frac{1}{4}$ "-20 x 1" Counter Sunk Bolts in (A) locations, &
Install (2x) $\frac{1}{4}$ "-20 x 1 $\frac{1}{2}$ " Counter Sunk Bolts in (B) locations,
all with washers and Nylock nuts.



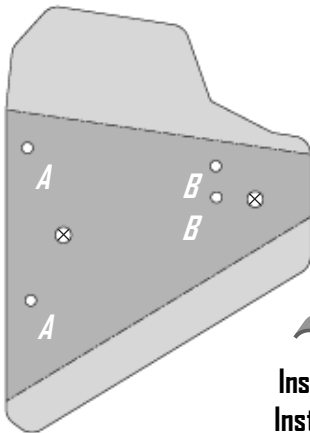
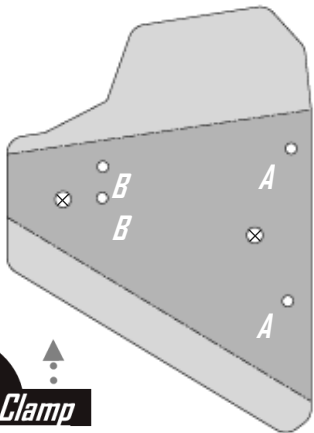
Rear A-Arm Guard:

Install (3x) $\frac{1}{4}$ "-20 x 2 $\frac{1}{2}$ " Counter Sunk Bolts in (C) locations
Install (1x) $\frac{1}{4}$ "-20 x 1" Counter Sunk Bolts in (A) locations w/
(1x) 1 $\frac{1}{2}$ " x 1 $\frac{1}{4}$ " x 1 $\frac{1}{2}$ " Box Clamp.
all with washers and Nylock nuts.



Ensure all bolts are fasten securely before use
Do Not Over Tighten Bolts.


Fasten bolts until flush
DO NOT over tighten



**900 Trail
900 XC
(60" Models)**

RZR 900 Trail 900 XC (60" Models)

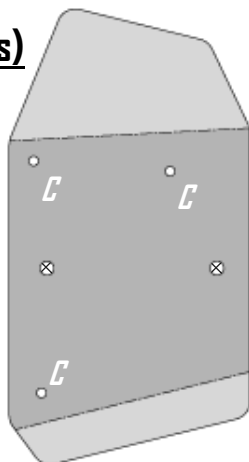
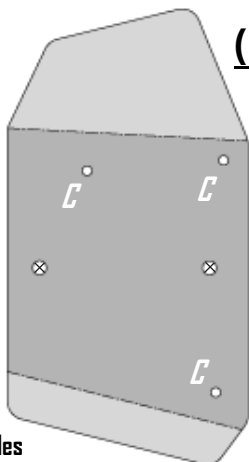
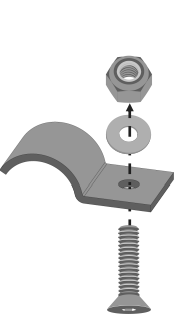
Front A-Arm Guard:

Holding "D" clamps over a-arm tubing,
Install (2x) $\frac{1}{4}$ "-20 x 1" Counter Sunk Bolts in (A) locations, &
Install (2x) $\frac{1}{4}$ "-20 x 1 $\frac{1}{2}$ " Counter Sunk Bolts in (B) locations,
all with washers and Nylock nuts.



Rear A-Arm Guard:

Install (3x) $\frac{1}{4}$ "-20 x 2 $\frac{1}{2}$ " Counter Sunk Bolts in (C) locations
all with washers and Nylock nuts.



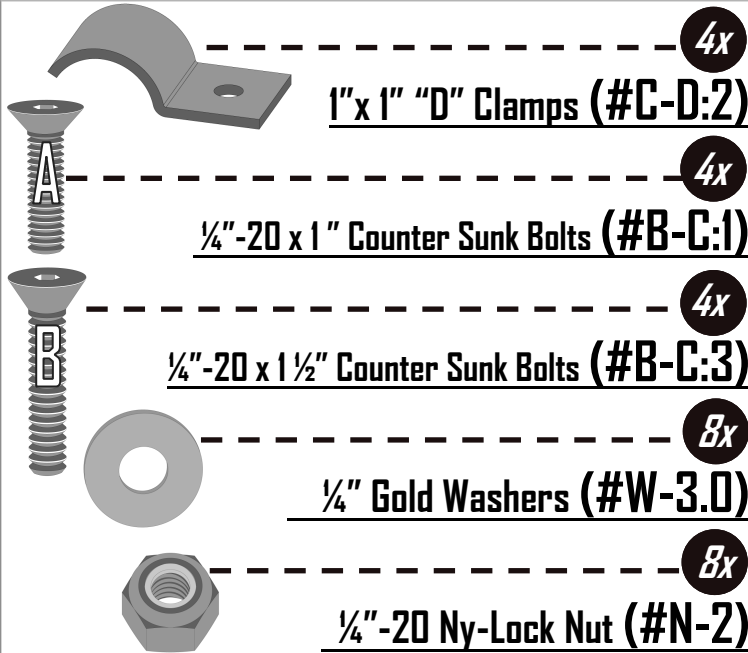
Ensure all bolts are fasten securely before use
Do Not Over Tighten Bolts.

⊗ = Drainage Holes
Do Not Use For Mounting

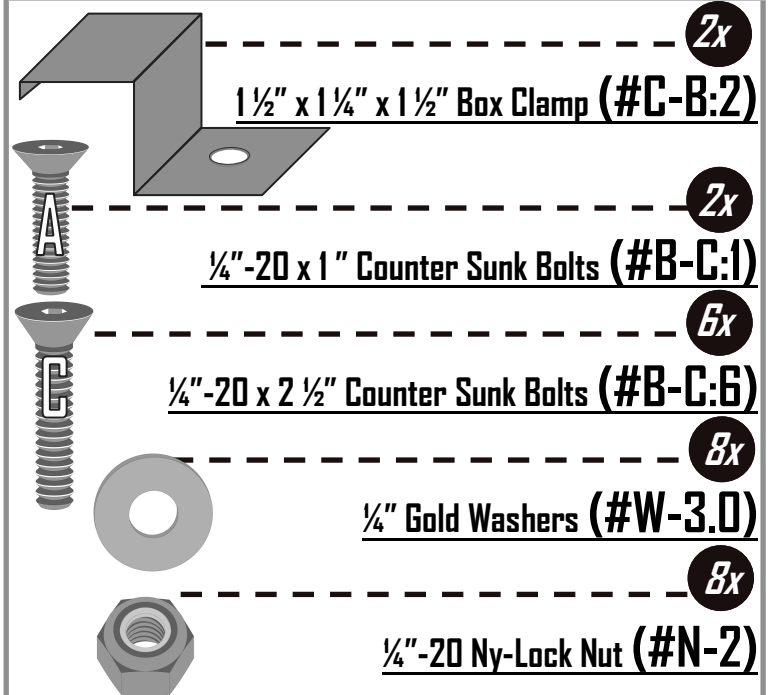
Polaris RZR 900 & RZR 1000 S A-Arms Packing list

RZR 900, 900 "S", 1000 "S" A-Arm Guard Hardware

Front A-Arm: Large bag

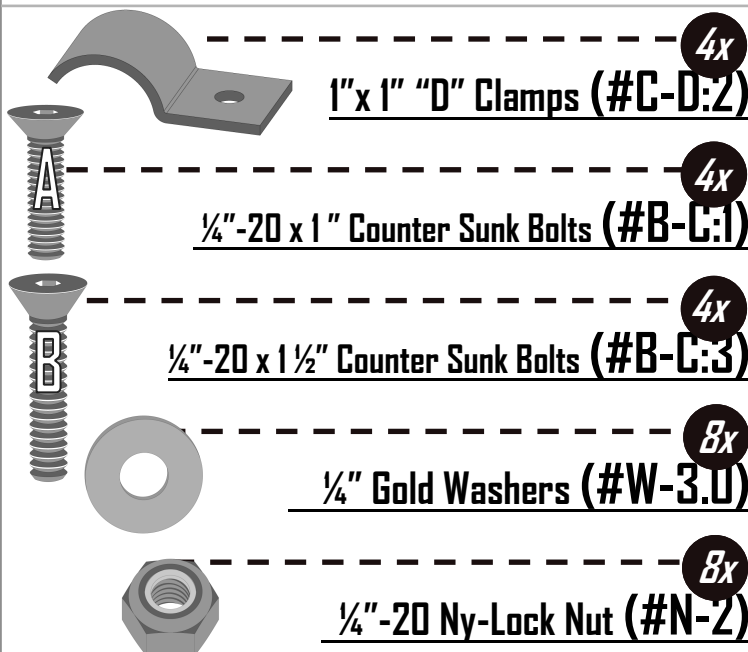


Rear A-Arm: Large bag



RZR 900 Trail, 900 XC (60" wide models) A-Arm Guard Hardware

Front A-Arm: Large bag



Rear A-Arm: Large bag

