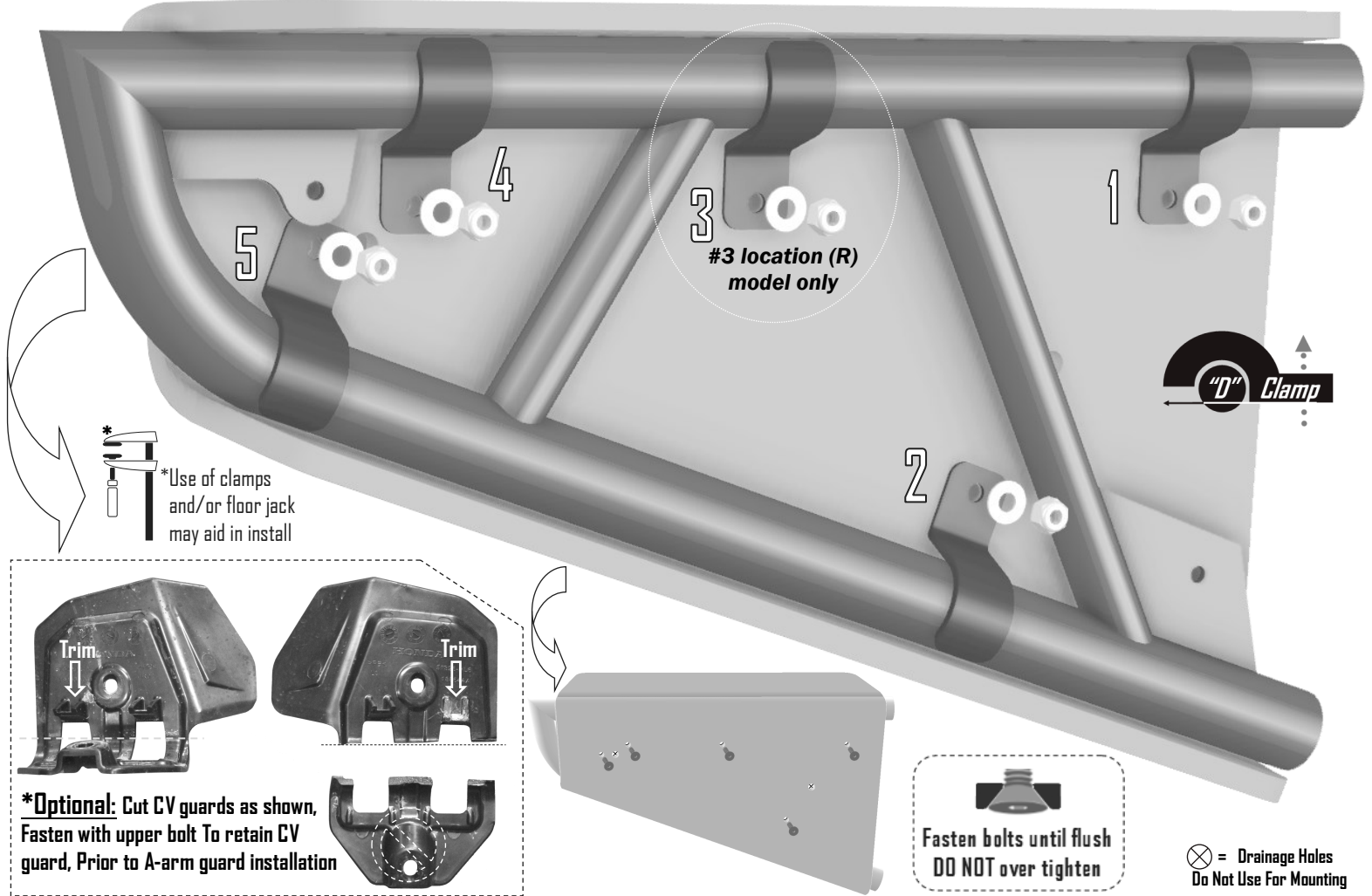
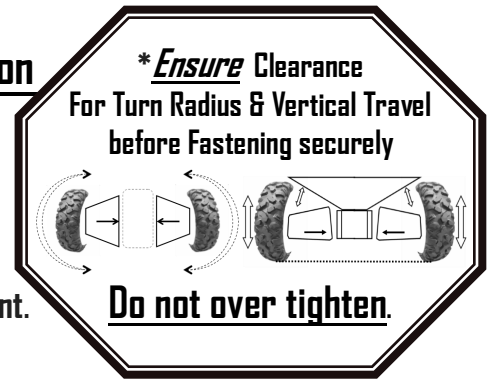


# Honda Talon 1000 (R) & (X) A-Arm Guard installation

## A-Arm Guard Installation

Hold A-arm guard in place, loosely install bolts through guard and "D" clamps. Fasten bolts with washers and Ny-lock nuts, fastening down in an even pattern. Securely fasten to a-arm until flush, do not over tighten bolts deep in to plastic. Installation may require the use of a floor jack and firm upwards pressure for fitment.

*\*Optional:* to install with stock CV guards, Require modification and/or firmly applied pressure during fastening.

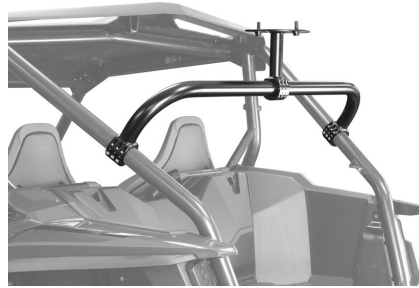


<b>(R) A-Arm Guard Hardware:</b>	
	1" x 1 1/4" "D" Clamps (#C-D:3) <b>10x</b>
	1/4"-20 x 1 1/4" Counter Sunk Bolts (#B-C:2) <b>10x</b>
	1/4"sm Gold Washers (#W-3.0) <b>10x</b>
	1/4"-20 Ny-Lock Nut (#N-3) <b>10x</b>

<b>(X) A-Arm Guard Hardware:</b>	
	1" x 1 1/4" "D" Clamps (#C-D:3) <b>8x</b>
	1/4"-20 x 1 1/4" Counter Sunk Bolts (#B-C:2) <b>8x</b>
	1/4"sm Gold Washers (#W-3.0) <b>8x</b>
	1/4"-20 Ny-Lock Nut (#N-3) <b>8x</b>

# *Honda Talon 1000 X-R (2019+)*

Go online to [www.FactoryUTV.net](http://www.FactoryUTV.net) and check out our other Talon products:

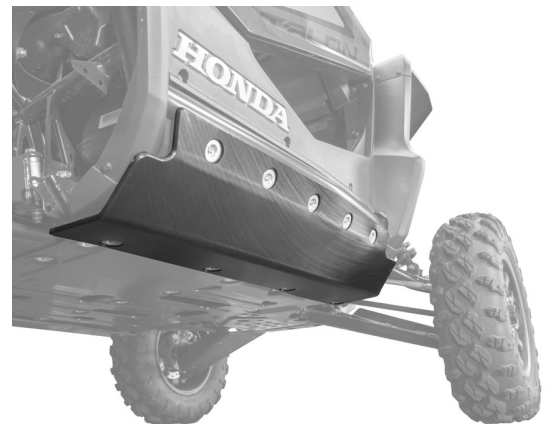
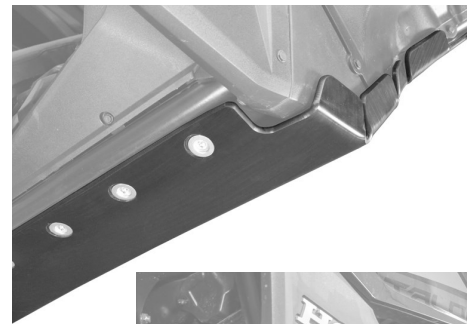
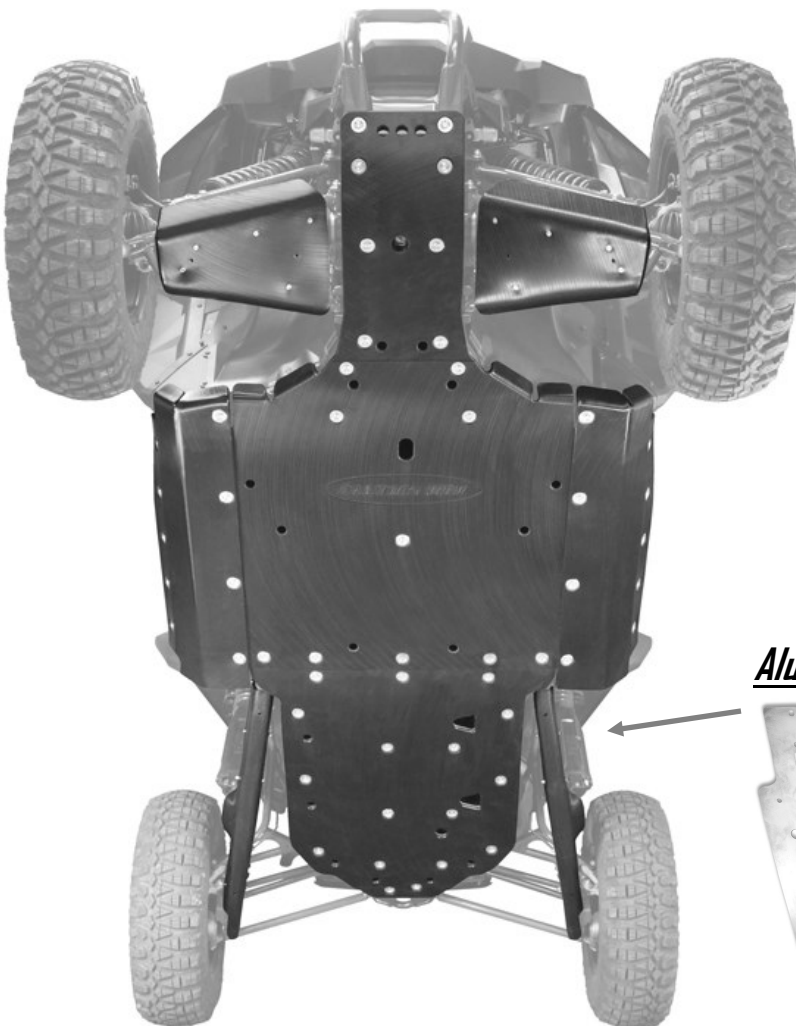


*Dual clamp  
spare tire mount*

*UHMW Rocksldiers*



*UHMW Skid Plate Packages*



*Aluminum X-Brace Plate*

