

**Contact Us: *FACTORY UTV LLC***

9237 Beatty Drive Sacramento, CA 95826

Phone : (916) 383-2730

E-mail : [info@factoryutv.net](mailto:info@factoryutv.net)

Go online: [www.Factoryutv.net](http://www.Factoryutv.net)



## **U.H.M.W. Skid Plate / Under Armor Package**

*Ultra. High. Molecular. Weight. polyethylene all terrain skid plate / under armor kit for UTV's*

### **Installation Guide**

***Polaris RZR***

***Turbo R* (2022+)**



# Polaris RZR Turbo R (2022+) Skid Plate Instructions

First Remove stock skid plates and Complete Steps: A, B, C On bracket installation page 3.  
Remove and Save all Stock Hardware for further steps, Remove and cut out front Quarter Guards And reinstall.  
Install: Extension Bracket, \*Install X-Brace — as shown on Pg 3. Ensure all are in place before skid plate install.

#1.a

## Main Skid Plate :

Install main skid plate using: ( 5x ) Stock A:1 Bolts and washers ( M6 - 1.0x 20mm Bolt ) *In Main Skid Center: ( A.1 ) locations,*  
*Fasten bolts loosely, holding skid in place and to allow for adjustments during install.*  
Install: ( 6x ) M6- 1.0 x 25mm Flange Bolt and Counter Sunk Washer *In Main Skid: ( D ) locations*  
Install: ( 2x ) M6- 1.0 x 35mm Flange Bolts *In main skid : ( E ) locations.*  
*- Disregard B locations until later steps.*

#2

## Fore Mount Guards :

*\*Note direction\** and test fit to ensure correct direction before marking and drilling.

Install Trailing Arm Fore Mount Guards: with ( 1x )  $\frac{1}{4}$ "-20 x  $\frac{3}{4}$ " Counter sunk Bolt in center ( L ) locations, center guard in the middle.  
Mark, drill and tap remaining ( L ) locations. Then install with ( 2x )  $\frac{1}{4}$ "-20 x  $\frac{3}{4}$ " Counter sunk Bolt in remaining ( L ) locations.

#3

## Rear Skid Plate:

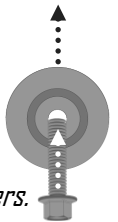
Align edge with main skid plate, Install: ( 8x ) M6- 1.0 x 20mm: stock A.1 bolts *In Rear Skid: ( A:1 ) locations.*

Install: ( 1x ) M6- 1.0 x 20mm Flange Bolt *in Rear Skid: ( C ) locations.*

*\*If installing with X-brace, install in-between skid and chassis frame before bolting in place. Back out bolts and re-install with washers.*

*Fasten bolts loosely for alignment and adjustments, fasten all bolts securely when aligned.*

Mark, drill, tap and install ( 2x )  $\frac{1}{4}$ "-20 x  $\frac{3}{4}$ " Self Tapping Bolts *for remaining ( B ) locations.*



#1.b

## Main Skid Plate B :

Mark, drill, tap and install (8x)  $\frac{1}{4}$ "-20 x  $\frac{3}{4}$ " Self Tapping Bolts for remaining ( B ) locations. Fasten all bolts securely.

#4

## Front Diff. Skid Plate :

Align edge with Main Skid, mark drill and tap ( 6x ) ( B ) Front Diff. locations.

loosely install ( 6x )  $\frac{1}{4}$ "-20 x  $\frac{3}{4}$ " Self Tapping Bolts in ( B ) locations.

Align and adjust for best fit and fasten all bolts securely.



## **\* Drilling Instructions : \***

Use a : #N<sub>o</sub>7 ( 13/64<sup>th</sup> ) drill bit,

( one size above the commonly available 3/16<sup>th</sup> bit ) use of  $\frac{1}{4}$ "- 20 Tap \*(Required )

To drill and thread self tapping bolts in to chassis frame.

Finger Thread All Bolts Prior To Fastening Securely With Power Tools.

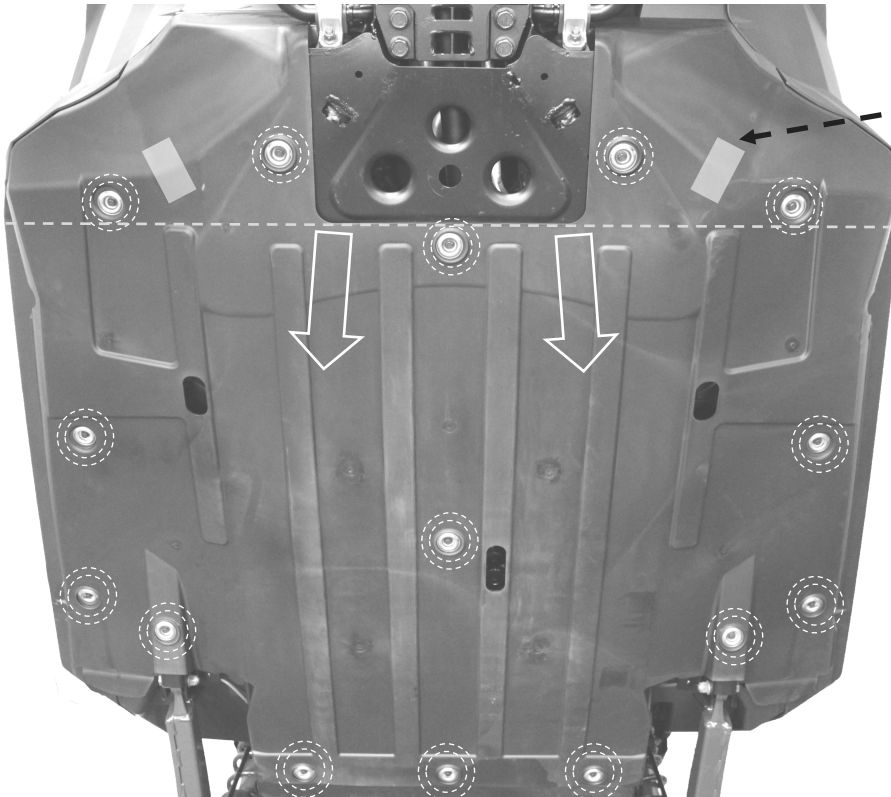
We strongly recommend the use of a "Thread Locking Compound" when installing any mounting hardware.

( When installation is complete , ensure all bolts are fastened securely.)

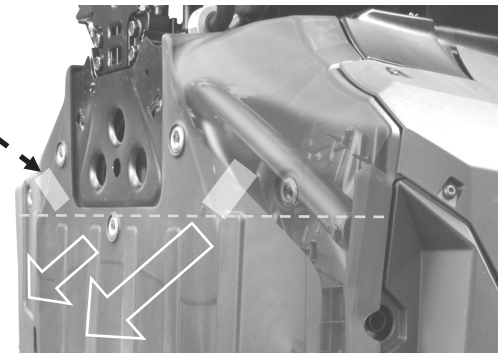
# Bracket Installation page

- A.) Remove stock skid plate, save stock hardware for later steps.
- B.) Cut quarter guards at factory edge across stock skid plate.
- C.) Install Extension bracket
- D.) Install Left and Right Rock slider mounting brackets

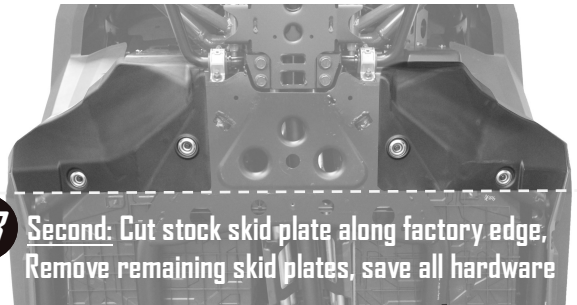
**#A First:**  Un-fasten stock bolts, and save hardware for later steps.



 plastic clamps



**#B Second:** Cut stock skid-plate along factory edge. Remove remaining skid plates, save all hardware

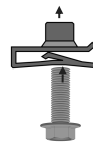


**Reuse Stock Bolts & washers**  
M6- 1.0 x 20mm : A:1

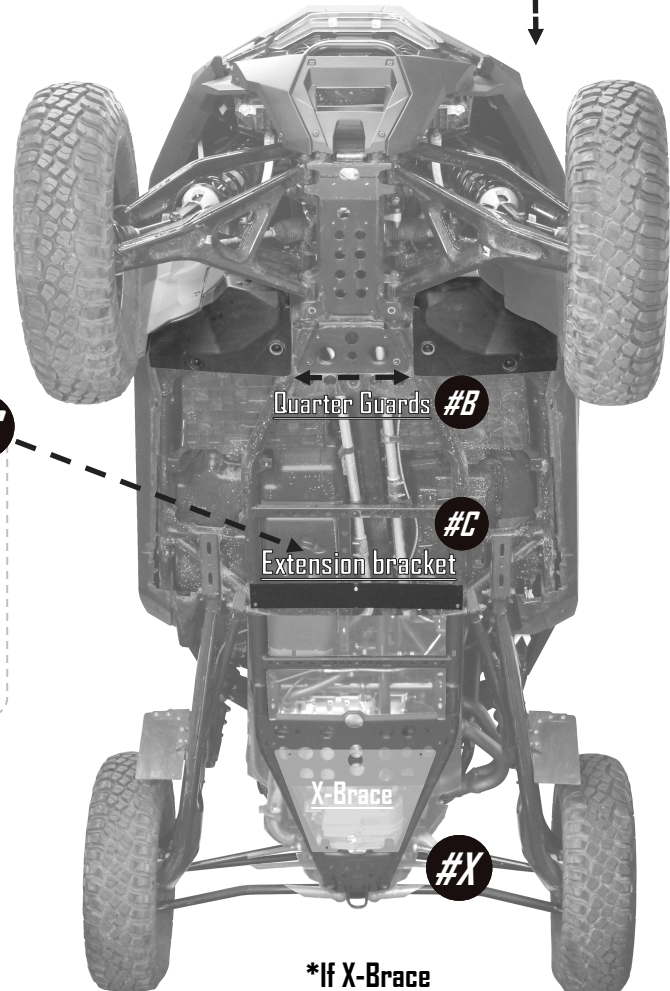


**#C Install Extension bracket**

Install bracket with j-clip tips pointing upward towards the vehicle.  
Install 3x stock ( A:1 ) bolts without washers  
in top middle and both bottom corners, fasten loosely.



**#C**



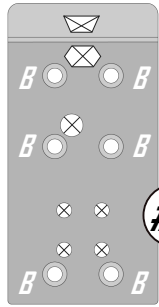
**\*If X-Brace**

Install with (4x) A:1 Stock Bolts in A:1 locations,  
Install bolts loosely, with out washers to hold in place.  
(Re-fasten with washers during skid plate installation)

# Polaris RZR Turbo R (2022+) Skid Plate Installation



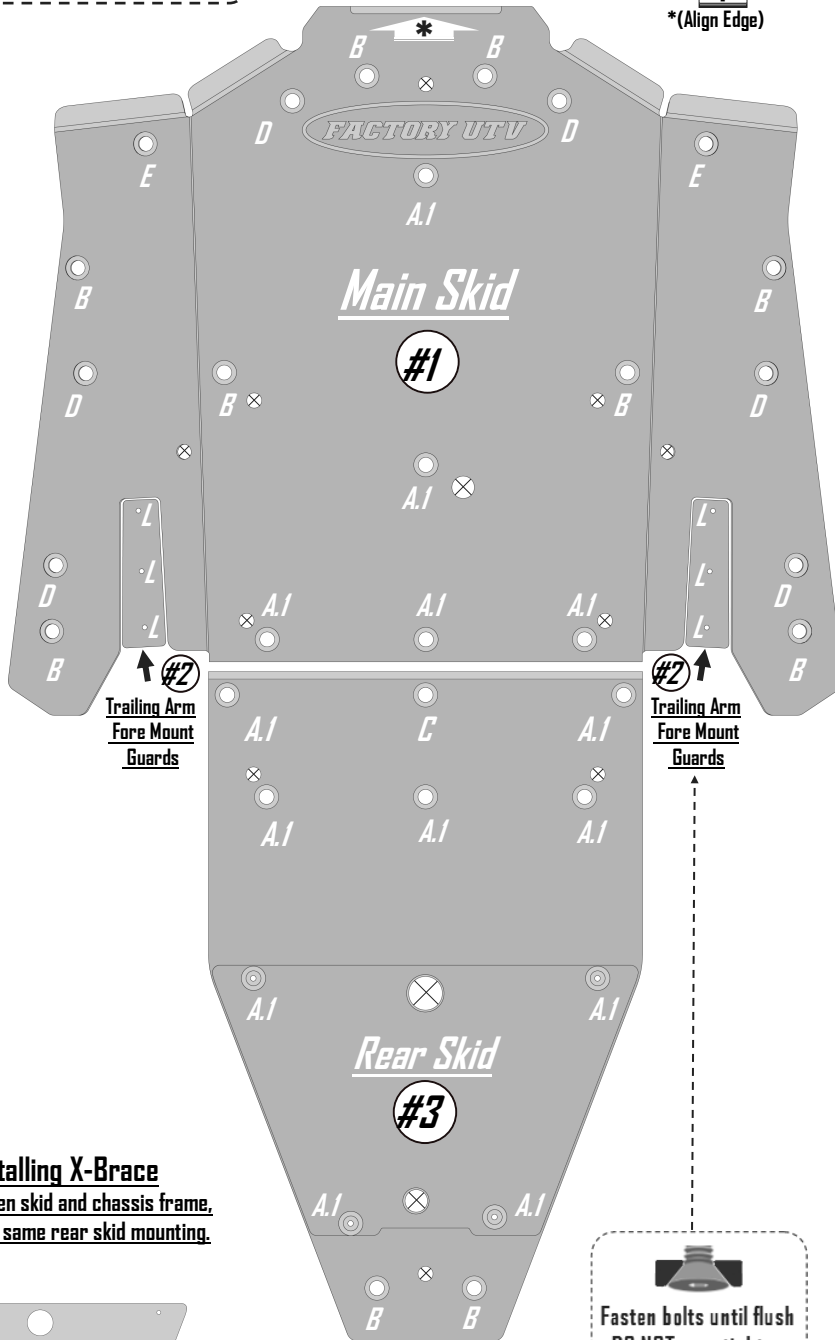
Re-use Stock Bolts & washers  
M6- 1.0 x 20mm : A.1



Front Diff Skid



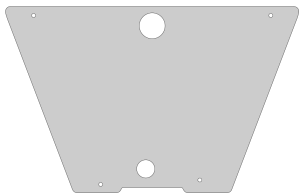
\*(Align Edge)



#2 Trailing Arm Fore Mount Guards

#2 Trailing Arm Fore Mount Guards

**\*If Installing X-Brace**  
Mount in between skid and chassis frame.  
X- brace uses same rear skid mounting.

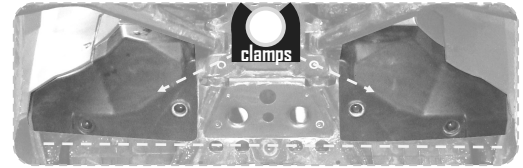


Fasten bolts until flush  
DO NOT over tighten

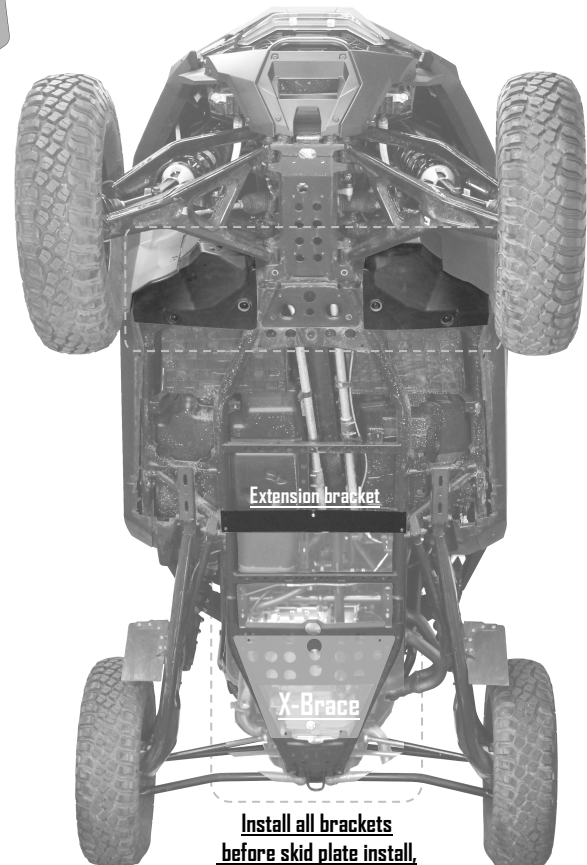
### Installation Requires:

= 10mm   
 = 3/8  
 = 5/32

Drill Bits (1/4"-20) Tap  
 13/64<sup>th</sup>



**Cut and re-use stock skid plate "front quarter" guards**  
Use the center opening's "factory edge" to mark across stock skid, below the bottom (2x) bolt cups. Cut guard as needed.  
**Re-attach with built in plastic clamps, before skid installation**  
skid plate utilizes same bolt locations.






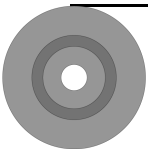
Install all brackets before skid plate install, see bracket install page #3

⊗ = Drainage Holes  
Do Not Use For Mounting






# Polaris RZR Turbo R (2022+) UHMW Skid Plate Hardware



**#1 Main Skid Large bag:**

-  **8x**  
1/4"-20 x 3/4" Self Tapping Bolt (#B-D:2)
-  **6x**  
M6- 1.0 x 25mm Flange Bolt (#B-A:6)
-  **2x**  
M6- 1.0 x 35mm Flange Bolt (#B-A:8)
-  **13x**  
Counter Sunk Washers (#W-1)


**#2 Rear Skid small bag:**

-  **2x**  
1/4"-20 x 3/4" Self Tapping Bolt (#B-D:2)
-  **1x**  
M6- 1.0 x 20mm Flange Bolt (#B-A:5)
-  **3x**  
Counter Sunk Washers (#W-1)

**#4 Front Diff Skid small bag:**

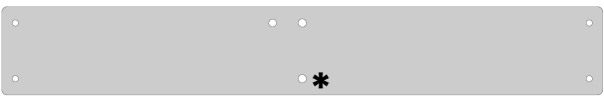
-  **6x**  
1/4"-20 x 3/4" Self Tapping Bolt (#B-D:2)
-  **6x**  
Counter Sunk Washers (#W-1)

**#2 Fore arm guard small bag:**

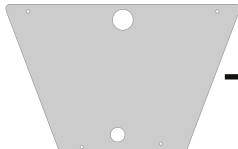
-  **6x**  
1/4"-20 x 3/4" Counter sunk Bolt (#B-D:2)

Reuse Stock Bolts & washers  
M6- 1.0 x 20mm : A.1



 **1x**  
**Extension Bracket (#E-B:17)**

 **1x**  
**J-Clip (installed on bracket) (#N-13)**

 **1x**  
**X-Brace (#X-B:4)**