

**Contact Us: FACTORY UTV LLC**

9237 Beatty Drive Sacramento, CA 95826

Phone : (916) 383-2730

E-mail : [info@factoryutv.net](mailto:info@factoryutv.net)

Go online: [www.Factoryutv.net](http://www.Factoryutv.net)



**FACTORY UTV**

## **U.H.M.W. Skid Plate + UHMW Rocksliders**

*Ultra. High. Molecular. Weight. polyethylene all terrain skid plate / under armor kit for UTV's*

***Polaris RZR 200***

***(2022+)***

**Installation Guide**



# Polaris RZR 200 (2022+)

## Installation

### Requires:

★ = T:20, T30

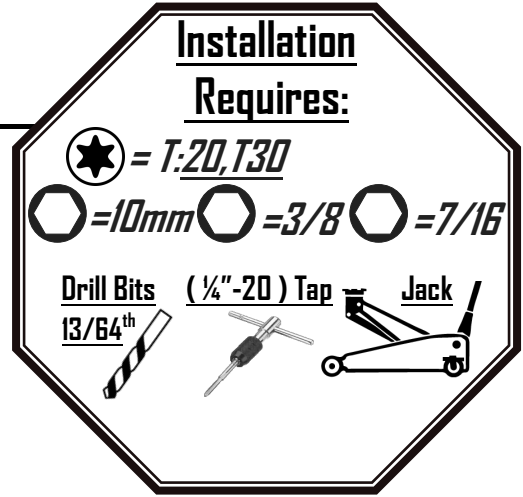
○ = 10mm   ○ = 3/8"   ○ = 7/16"

Drill Bits

(1/4"-20) Tap

Jack

13/64<sup>th</sup>



Re use Stock bolts with counter sunk washers in front 2 locations



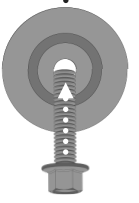
\*(Align Edge)

A 13/64<sup>th</sup>

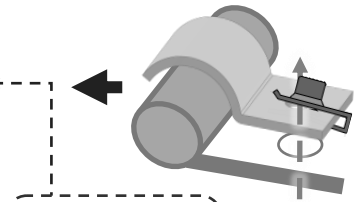
Drill 13/64<sup>th</sup> hole in (A) locations



Use (1/4"-20) Tap in (A) locations

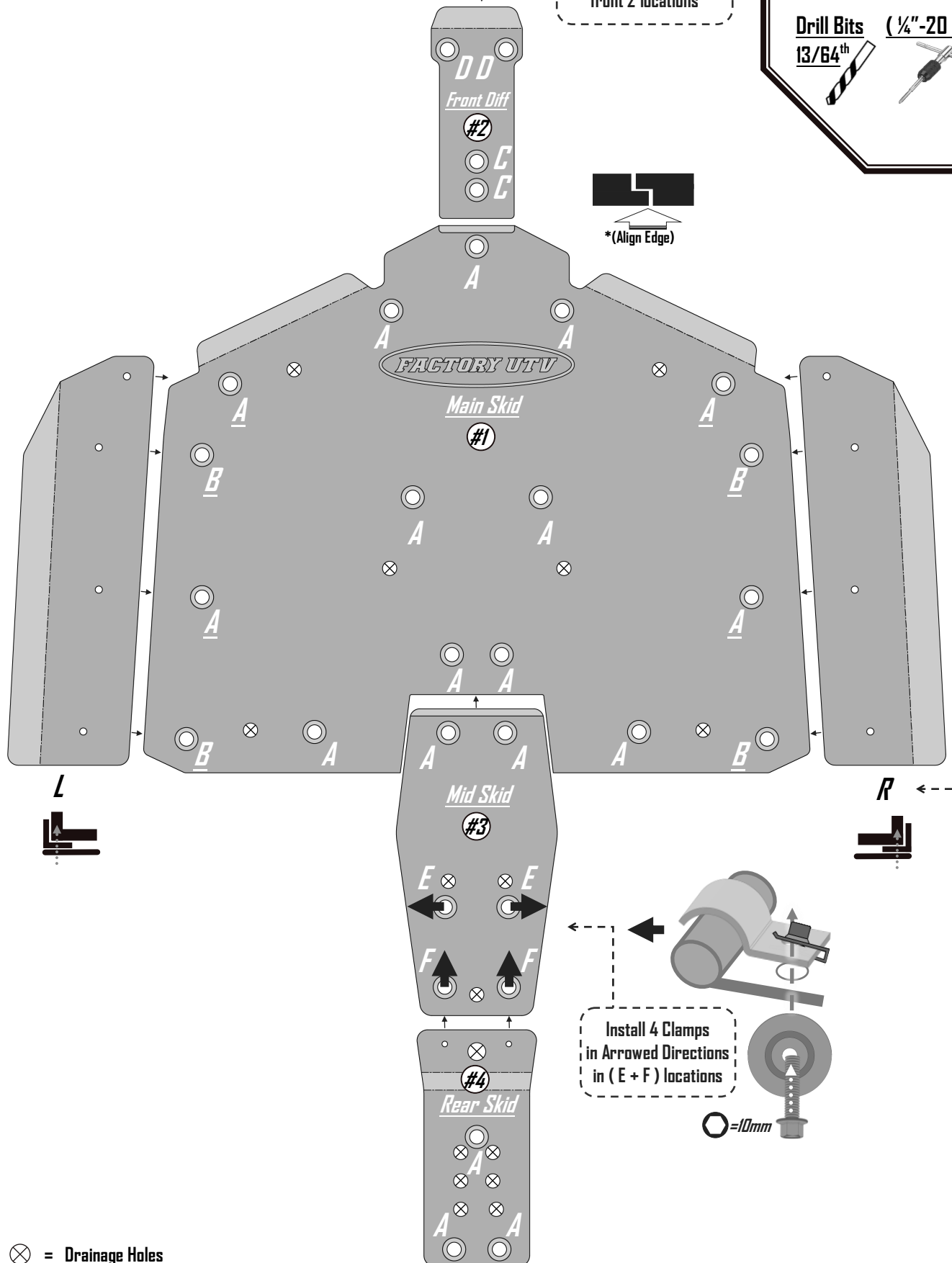


**Rocksliders**  
Install in-between skid plate & chassis. tighten loosely before fastening securely.



Install 4 Clamps in Arrowed Directions in (E + F) locations

○ = 10mm



⊗ = Drainage Holes  
Do Not Use For Mounting

# Polaris RZR 200 (2022+) Instructions

#1

## Main Skid Plate :

You may need assistance, or the use of a car jack, to help hold skid in place. Ensure vehicle is secure & in park. Install: (4x) M8 1.25x20mm Button head Torx Bolt (#B-B:6), (4x) Counter sunk washers (W-1) in Main Skid: ( B ) locations loosely.

Mark, Drill, (optional tap) (13x) Main Skid: ( A ) locations. and install:

(13x) 1/4"-20 x 3/4" Self Taping Bolt (#B-D:2) with (13x) Counter sunk washers (W-1) in Main Skid: ( A ) locations.

*Start installing with the center ( A ) locations, ( deferring side ( A ) locations ) then Remove B Bolts.*

*Install Rocksliders inward from sides, in-between skid plate and chassis frame, Re-install ( B ) and ( A ) Bolts Securely.*

#2

## Front Diff. Skid Plate :

Un-fasten 2x front lower Torx bolts in lower front plastic. Re-install with front diff skid plate, using 2x front stock bolts with (2x) Counter sunk washers (W-1) in Front Diff. Skid: ( D ) locations.

Mark and Drill, (optional tap), (2x) Front Diff. Skid: ( D ) locations.

Install (2x) 1/4"-20 x 1/2" Self Taping Bolt (#B-D:5) with (2x) Counter sunk washers (W-1) in Front Diff. Skid: ( D ) locations.

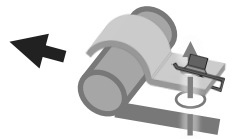
*Finger thread and Fasten all bolts loosely to allow for skid adjustments, ( if needed ) and then tighten all securely.*

#3

## Mid Skid Plate :

Align edge in to main skid plate, install D Clamp over frame tubing, In the arrowed directions shown on page 3, (2x) 1/2" x 1 1/4" "D" Clamps (#C-D:4) with (2x) M6- 1.0 x 20mm Flange Bolt (#B-A:5) and (2x) Counter sunk washers (W-1) in Front Diff. Skid: ( E ) locations. Defer ( A ) and ( F ) locations Until Step 4.

*Finger thread and Fasten all bolts loosely to allow for skid adjustments.*



#4

## Rear Skid Plate :

Align edge and slide bolts into Mid & rear skid, install remaining D Clamps In the arrowed directions shown on page 3, (2x) 1/2" x 1 1/4" "D" Clamps (#C-D:4) with (2x) M6- 1.0 x 30mm Flange Bolts (#B-A:7) and (2x) Counter sunk washers (W-1) in Front Diff. Skid: ( F ) locations. Fasten all bolts securely.

Mark and Drill, (optional tap), Remaining (3x) Rear Diff. Skid: ( A ) locations.

(2x) 1/4"-20 x 1/2" Self Taping Bolt (#B-D:5) with (2x) Counter sunk washers (W-1) in Rear Diff. Skid: ( A ) locations.

## \* Drilling Instructions : \*

Use a : **#N<sup>o</sup>7 (13/64<sup>th</sup>)** drill bit,

(one size above the commonly available 3/16<sup>th</sup> bit) Recommended 1/4"- 20 Tap \*(Optional)

To drill and thread self tapping bolts in to chassis frame.

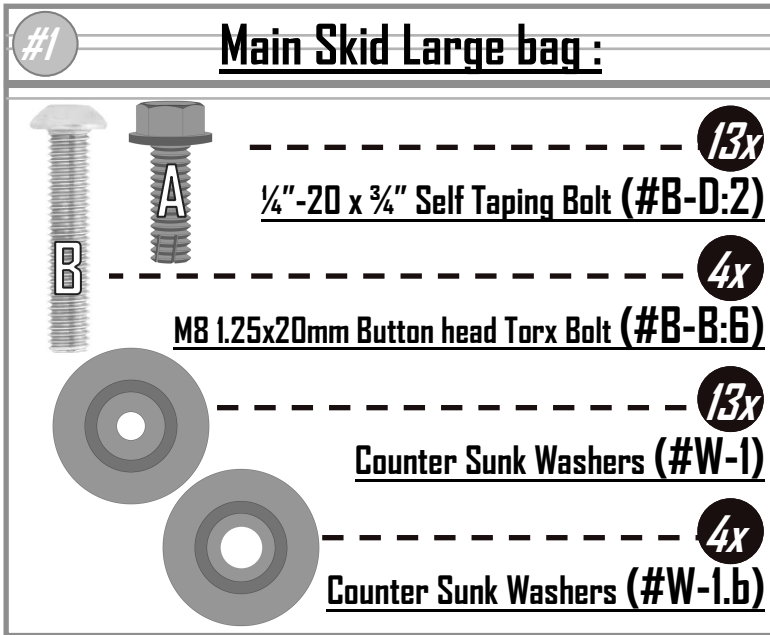
Finger Thread All Bolts Prior To Fastening Securely With Power Tools.

We strongly recommend the use of a "Thread Locking Compound" when installing any mounting hardware.

( When installation is complete , ensure all bolts are fastened securely.)

# Polaris RZR 200 (2022+) Hardware kit

**#1 Main Skid Large bag :**



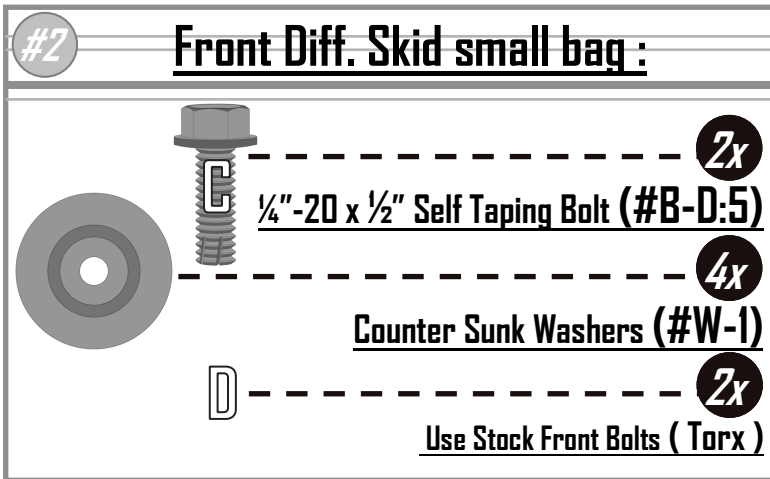
**A** ----- **13x**  
 1/4"-20 x 3/4" Self Taping Bolt (#B-D:2)

**B** ----- **4x**  
 M8 1.25x20mm Button head Torx Bolt (#B-B:6)

**C** ----- **13x**  
 Counter Sunk Washers (#W-1)

**D** ----- **4x**  
 Counter Sunk Washers (#W-1.b)

**#2 Front Diff. Skid small bag :**

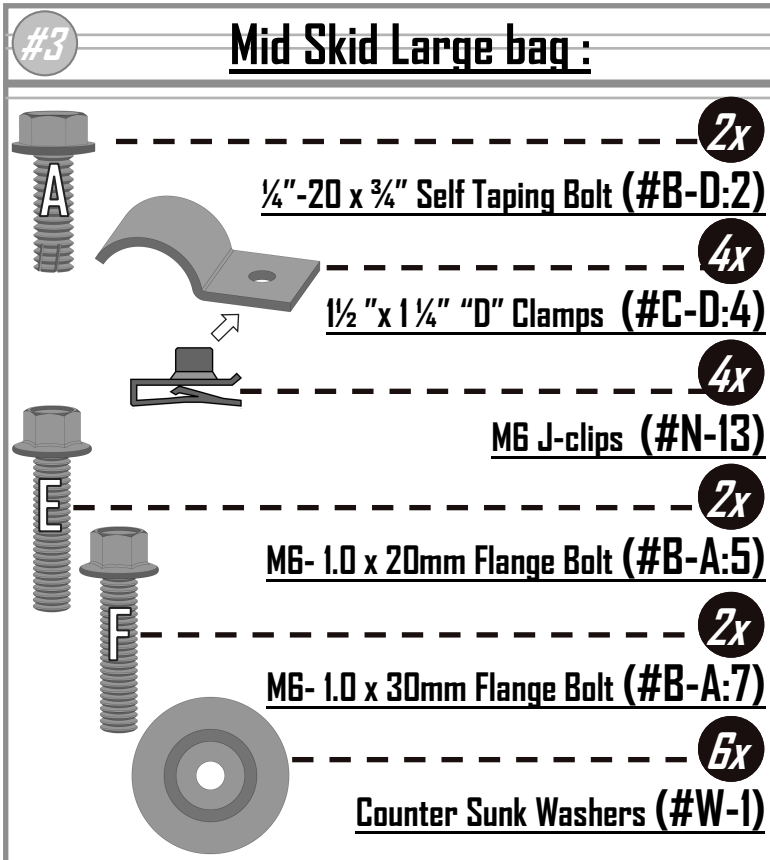


**E** ----- **2x**  
 1/4"-20 x 1/2" Self Taping Bolt (#B-D:5)

**F** ----- **4x**  
 Counter Sunk Washers (#W-1)

**G** ----- **2x**  
 Use Stock Front Bolts ( Torx )

**#3 Mid Skid Large bag :**



**H** ----- **2x**  
 1/4"-20 x 3/4" Self Taping Bolt (#B-D:2)

**I** ----- **4x**  
 1/2" x 1 1/4" "D" Clamps (#C-D:4)

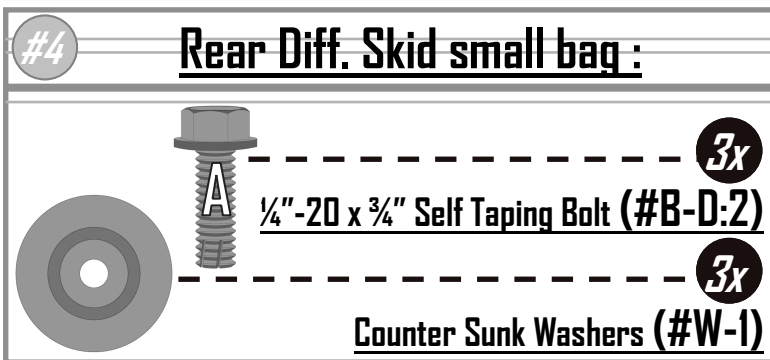
**J** ----- **4x**  
 M6 J-clips (#N-13)

**K** ----- **2x**  
 M6- 1.0 x 20mm Flange Bolt (#B-A:5)

**L** ----- **2x**  
 M6- 1.0 x 30mm Flange Bolt (#B-A:7)

**M** ----- **6x**  
 Counter Sunk Washers (#W-1)

**#4 Rear Diff. Skid small bag :**



**N** ----- **3x**  
 1/4"-20 x 3/4" Self Taping Bolt (#B-D:2)

**O** ----- **3x**  
 Counter Sunk Washers (#W-1)