

Contact Us: *FACTORY UTV LLC.*

9237 Beatty Drive Sacramento, CA 95826

Phone : (916) 383-2730

E-mail : info@factoryutv.net

Go online: www.Factoryutv.net



U.H.M.W. Skid Plate / Under Armor Package

Ultra. High. Molecular. Weight. Polyethylene All Terrain Skid Plate / Under Armor Kit For UTV's

Installation guide

Can Am Maverick XDS (2015+)

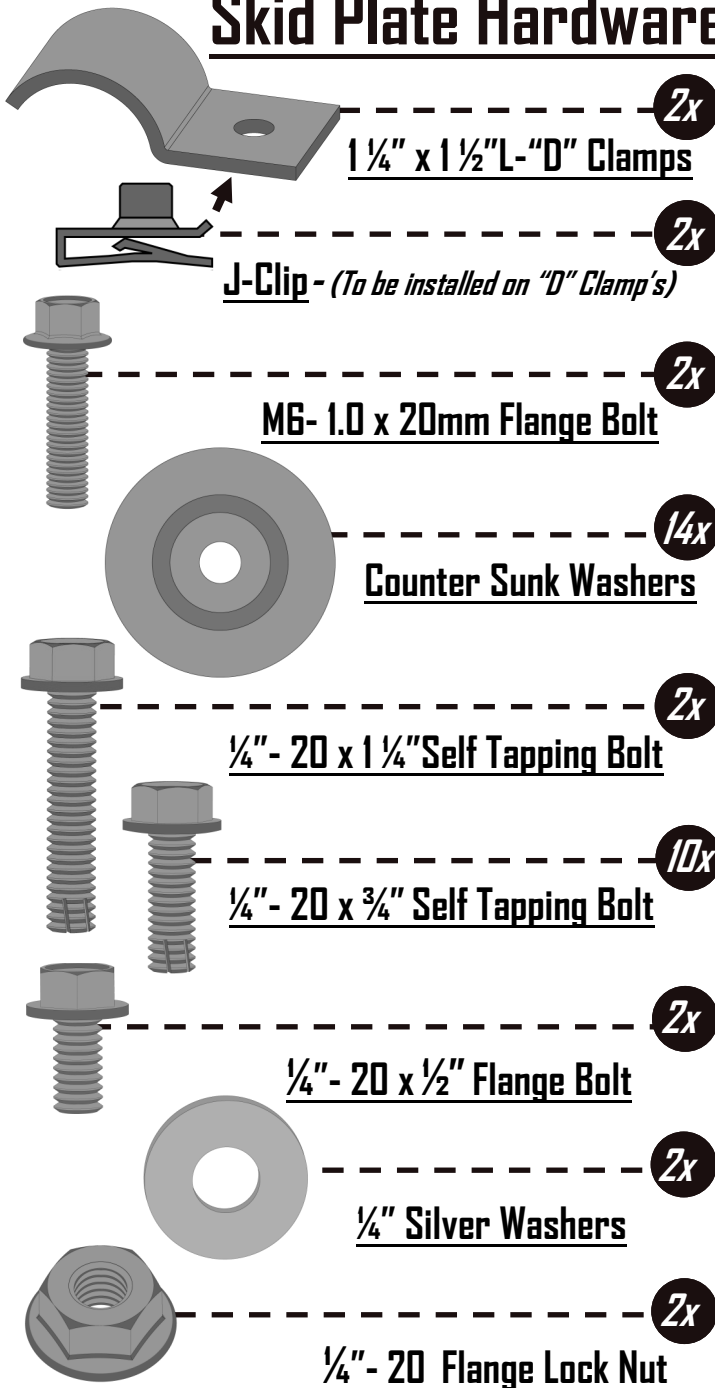
Covers : XRS, & Turbo Models



Can Am Maverick XDS (2015+)

Re-Use
Stock Hardware
As Needed.
Skid plate will form to
chassis as bolts are
fastened securely.

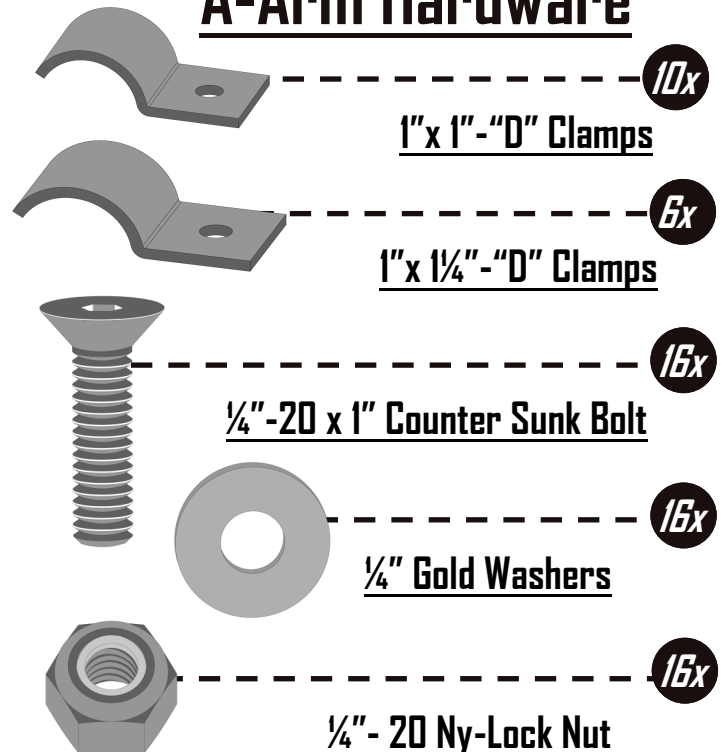
Skid Plate Hardware



Stock Hardware

Counter Sunk
Washers
M6- 1.0 x 20mm
Thread Forming Bolts

A-Arm Hardware



***Drilling Instructions : ***

Use a : #No7 - OR- 13/64th drill bit and/ or a 1/4" - 20" Tap
(one size above the commonly available 3/16th bit)

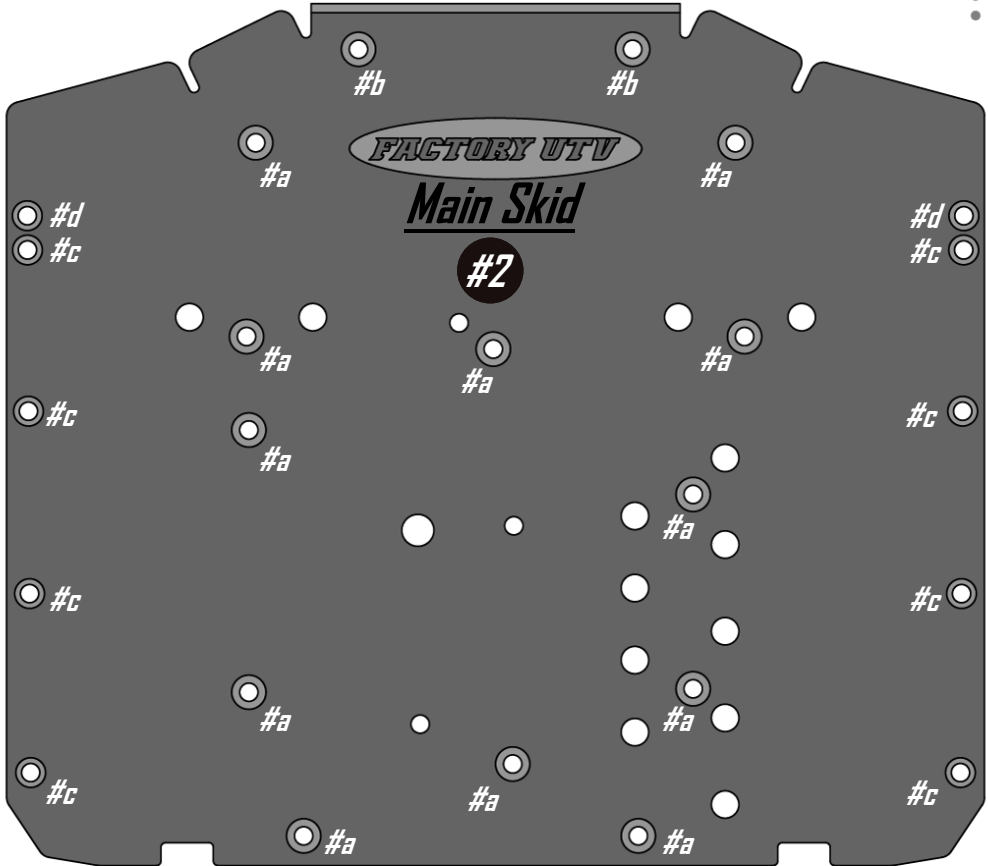
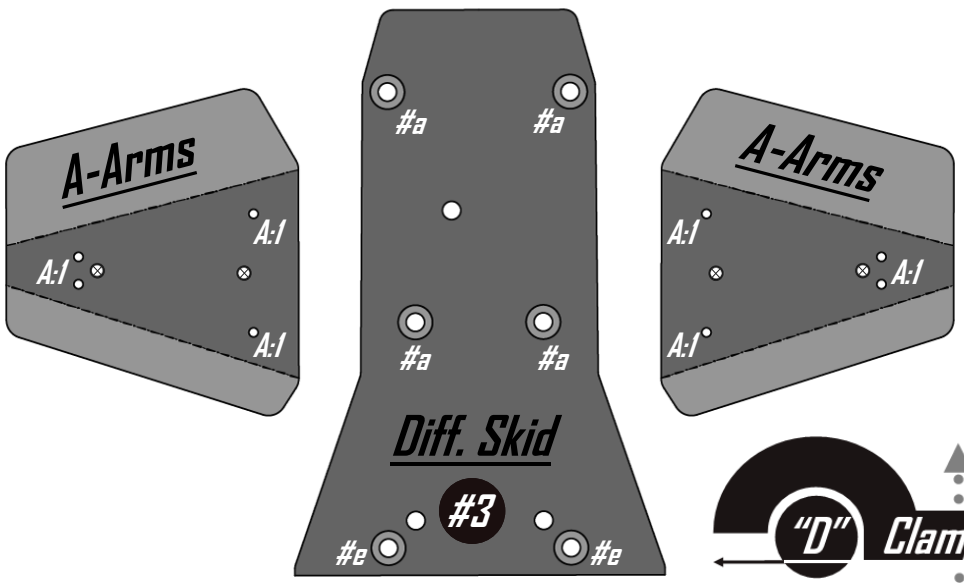
To drill and thread self tapping bolts in to chassis frame.

Finger Thread All Bolts Prior To Fastening Securely With Power Tools.

We strongly recommend the use of a "Thread Locking Compound" when installing any mounting hardware.
(When installation is complete , ensure all bolts are fastened securely.)

Can Am Maverick XDS (2015+)

Remove stock Center & Side skid plates. Save / Re-Use All Hardware. Drill out rivets as needed
 *Optional: modify rear stock side skids to keep added rear protection. Finger Tighten All Bolts Before, Fastening Bolts Securely.

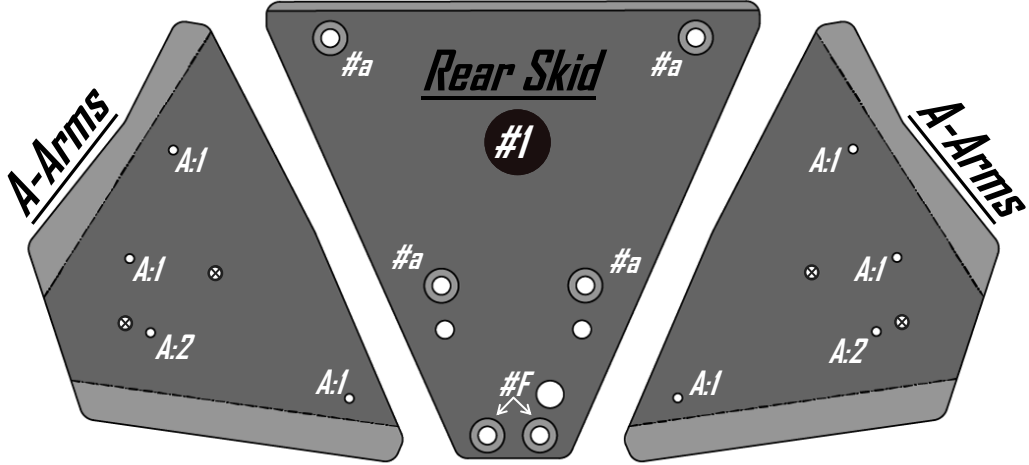


#1 Rear Skid Plate :
 Install: (4x) Stock Bolts & Washers (M6-1.0 x20mm T.F. Bolts) in: (**#a**) locations.
 Install: (2x) 1/4" x 20" x 1/2" Flange Bolts, with/ (2x) 1/4" Silver Washers, and (2x) 1/4"-20 Flange lock nuts in: (**#f**) locations.

#2 Main Skid Plate :
 Install: (11x) Stock Bolts & Washers (M6-1.0 x20mm T.F. Bolts) in: (**#a**) locations.
 Using: (2x) "D" Clamps (w/J-clips installed) w/ (2x) M6-1.0 x 25mm Flange Bolts in: (**#b**) locations.
 (disregard (**#c**) & (**#d**) locations in this step)

#3 Front Diff. Skid Plate :
 Install: (4x) Stock Bolts & Washers (M6-1.0 x20mm T.F. Bolts) in: (**#a**) locations.
 *(See Drilling Instructions On Hardware Pg.2)
 Drill mounting holes in (**#e**) locations, Use: (2x) 1/4" x 20 x 3/4" Self Tapping Bolts in: (**#e**) locations.

#4 Side Mounting Holes :
 (See Drilling Instructions On Hardware Pg.2)
 Once skid plates are aligned in place, drill side mounting holes. Install : (8x) 1/4" x 20" x 3/4" Self Tapping Bolts in: (**#c**) locations first, and (2x) 1/4" x 20 x 1 1/4" Self Tapping Bolts in: (**#d**) locations.



Fasten All Bolts Securely

A:1 See Back Page for A:2 A-Arm Instructions

Can Am Maverick XDS (2015+)

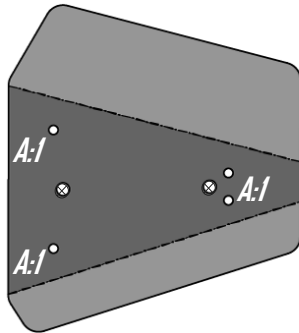
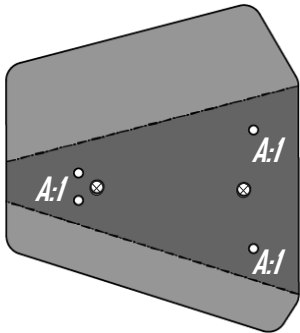
A-Arm Guards

Finger Tighten All Bolts
Before Fastening Securely.



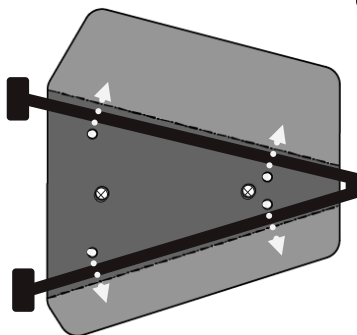
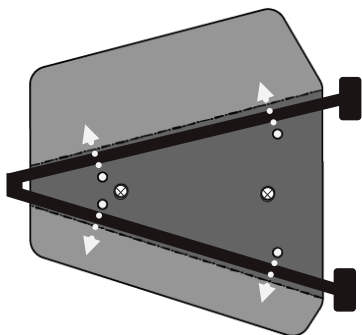
Front A-Arms

#1



#1 Front A-Arm Guards:
Install: (8x) 1" x 1" - "D" Clamps
Over A-Arm Tubing w/
(8x) Gold Washers, &
(8x) 1/4" x 20" Ny-Lock Nuts,
in: **A:1** Locations

Front Frame

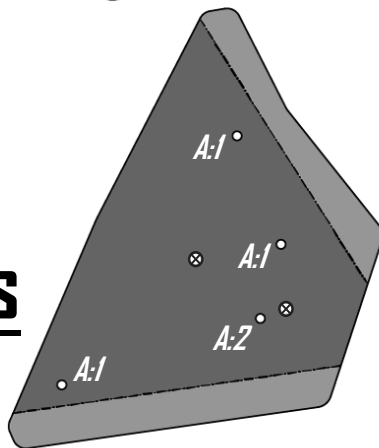
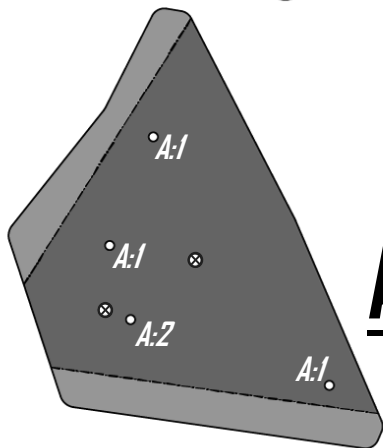


#2 Rear A-Arm Guards:
Install : (6x) 1" x 1/4" - "D" Clamps, w/
(6x) 1/4" Gold Washers, &
(6x) 1/4" x 20" Ny-Lock Nuts
in : **A:1** Locations

Install : (2x) 1" x 1" - "D" Clamps, w/
(2x) 1/4" Gold Washers, &
(2x) 1/4" x 20" Ny-Lock Nuts
in : **A:2** Locations,
as shown in Frame view,
facing inwards towards the vehicle.

Rear A-Arms

#2



Fasten All Bolts Securely
Ensure Clearance For Turn Radius &
Vertical Travel Before Fastening

Rear Frame

